



RBC411

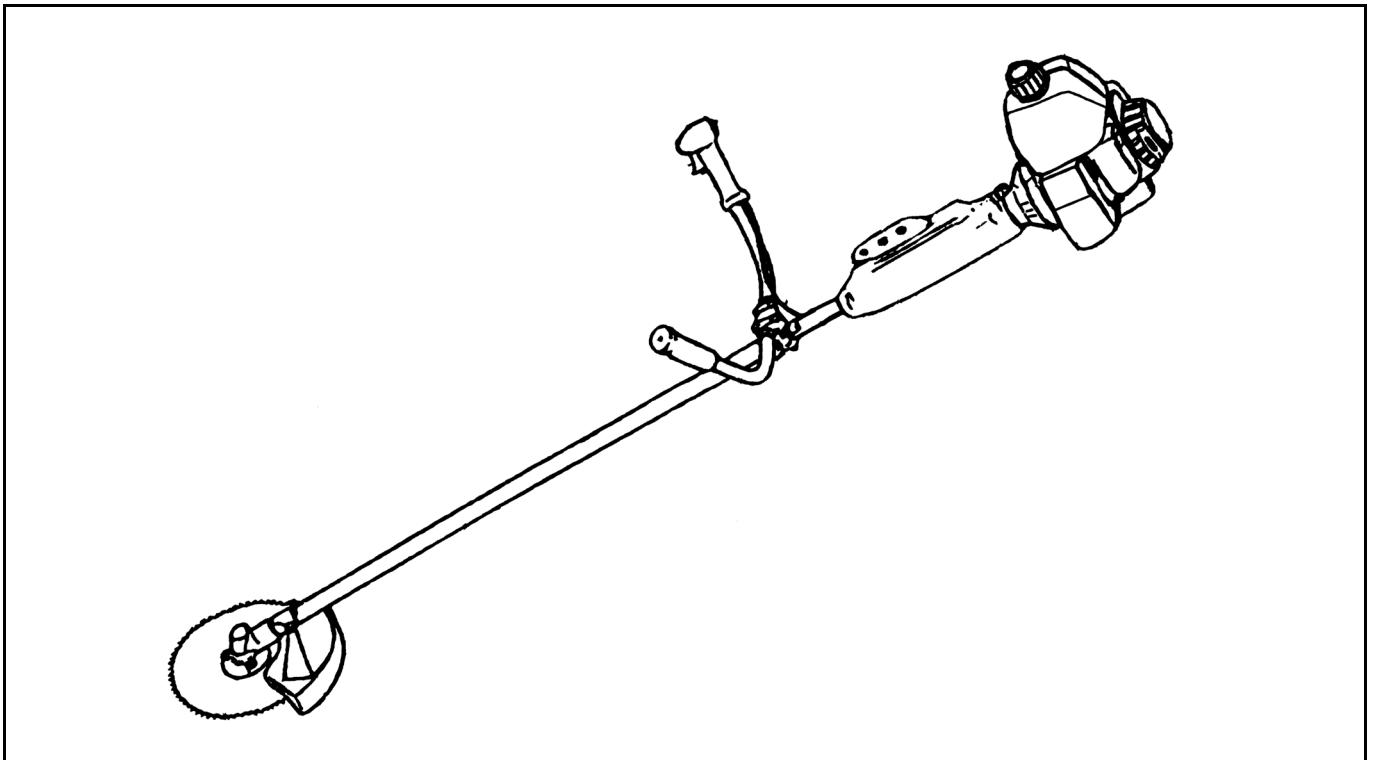
GB **Brush Cutter**

BZ **Cortador de mato**

LS **Desbrozadora**

F **Débroussailleuse**

**Instruction manual
Manual de instruções
Manual de instrucciones
Manuel d'instructions**



Important:

Read this instruction manual carefully before putting the Brush Cutter into operation and strictly observe the safety regulations!
Preserve instruction manual carefully!

Importante:

Leia com atenção este manual de instruções antes de colocar o cortador de mato em funcionamento e cumpra estritamente com os regulamentos de segurança!
Guarde o manual de instruções com cuidado!

Importante:

Lea esta manual de instrucciones con atención antes de utilizar la desbrozadora y ¡observe estrictamente las regulaciones de seguridad!
¡Conserve cuidadosamente su manual de instrucciones!

Important :

Veillez lire attentivement ce manuel d'instructions avant d'utiliser la débroussailleuse, et observez strictement les consignes de sécurité !
Veillez à conserver ce manuel d'instructions !

Thank you very much for selecting the MAKITA Brush Cutter. We are pleased to be able to offer you the MAKITA Brush Cutter which is the result of a long development programme and many years of knowledge and experience. Please read, understand and follow this booklet which refers in detail to the various points that will demonstrate its outstanding performance. This will assist you to obtain the best possible result from your MAKITA Brush Cutter.



Table of Contents	Page
Symbols	2
Safety instructions.....	3-6
Technical data.....	7
Designation of parts.....	8
Assembly of engine and shaft.....	9
Mounting of handle.....	9
Mounting of protector.....	10
Mounting of cutter blade.....	11
Fuels/refueling.....	12
Correct handling of machine.....	13
Putting into operation.....	14
Resharpener the cutting tool.....	15
Maintenance schedule.....	16
Storage.....	17

Symbols

You will note the following symbols when reading the instruction manual.

	Read instruction manual		Keep the area of operation clear of all persons and pets
	Take particular care and attention		Wear protective helmet, eye and ear protection
	Forbidden		Top permissible tool speed
	Keep distance		Fuel and oil mixture
	Flying object hazard		Engine-Manual start
	No smoking		Emergency stop
	No open flame		First Aid
	Protective gloves must be worn		Recycling
	Wear sturdy boots with non-slip soles. Steel toed safety boots are recommended.		ON/START
	Kickback		OFF/STOP

Safety instructions

General Instructions

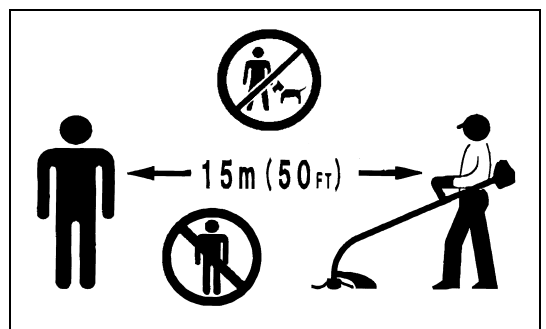
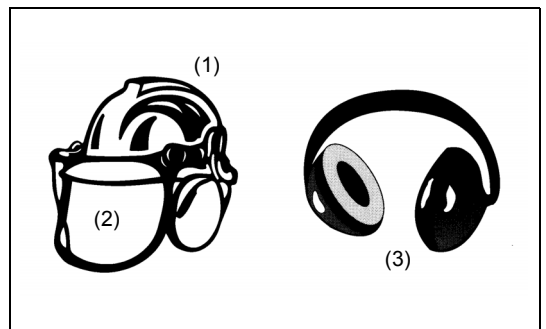
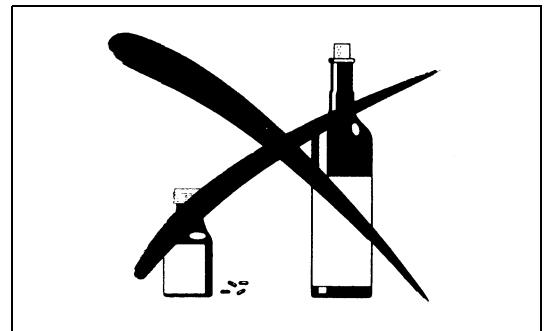
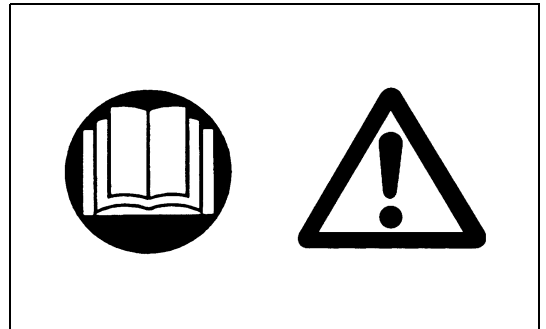
- To ensure correct and safe operation, the user must read, understand and follow this instruction manual to assure familiar with the handling of the brush cutter. Users insufficiently informed will risk danger to themselves as well as others due to improper handling.
- It is recommended only to loan the brush cutter to people who have proven to be experienced with brush cutters. Always hand over the instruction manual.
- First-time users should ask the dealer for basic instructions to familiarize oneself with the handling of an engine powered cutter.
- Children and young persons aged under 18 years must not be allowed to operate the brush cutter. Persons over the age of 16 years may however use the tool for the purpose of being trained only while under the direct supervision of a qualified trainer.
- Use brush cutters with the utmost care and attention.
- Operate the brush cutter only if you are in good physical condition. Perform all work conscientiously and carefully. The user has to accept responsibility for others.
- Never use the brush cutter while under the influence of alcohol or drugs.
- Do not use the unit when you are tired.
- **Save these instructions for future referral.**

Personal protective equipment

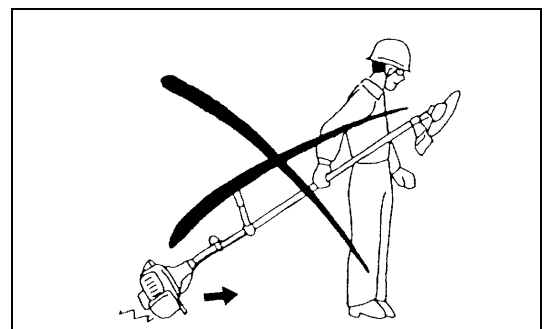
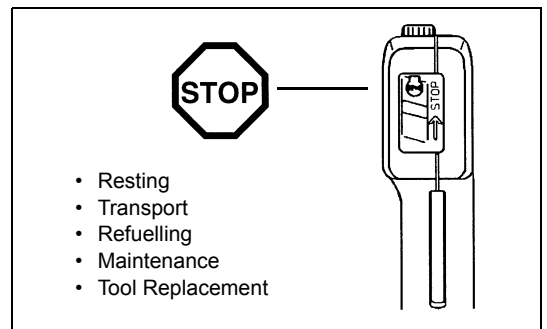
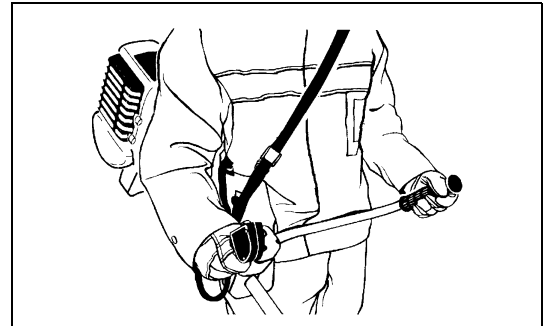
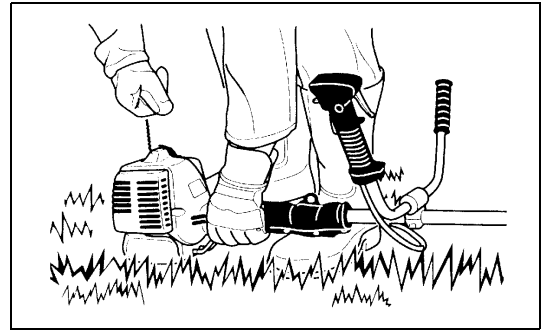
- The clothing worn should be functional and appropriate, i.e. it should be tight-fitting but not cause a hindrance. Do not wear jewelry, clothing or long hair which could become entangled with bushes or shrubs.
- In order to avoid head-, eye-, hand- or foot injuries as well as to protect your hearing the following protective equipment and protective clothing must be used during operation of the brush cutter.
- Always wear a helmet when working in the forest. The protective helmet (1) is to be checked at regular intervals for damage and is to be replaced at the least every 5 years. Use only approved protective helmets.
- The visor (2) of the helmet (or approved goggles) protects the face from flying sticks, stones or other objects. During operation of the brush cutter always wear goggles, or a visor to prevent eye injuries.
- Wear adequate noise protection equipment to avoid hearing impairment (ear muffs (3), ear plugs etc.), especially during extended work periods.
- The work overalls (4) protect against flying stones and splinters. We strongly recommend that the user wears work overalls.
- Special gloves (5) made of thick leather are part of the prescribed equipment and must always be worn during operation of the brush cutter.
- When using the brush cutter, always wear safety shoes (6) with a non-slip sole. This protects against injuries and ensures good footing.

Starting up the brush cutter

- Please make sure that there are no children or other people within a working range of 15 meters, also pay attention to any animals in the working vicinity.
- Before operating, always check that the brush cutter is safe for operation: Check the security of the cutter blade. Be sure the blade mounting nut is firmly secured. The throttle lever should be checked for smooth and easy action. Check for proper functioning of the throttle lever lock. The cutter blade must not rotate during idling. Consult idle adjustment instructions on page 15. Check for clean and dry handles and test function of the ON-OFF switch. Keep handles free of oil and fuel.

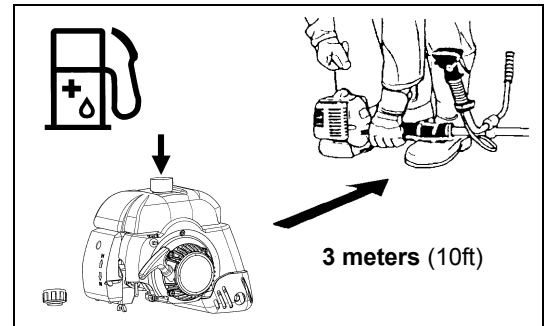
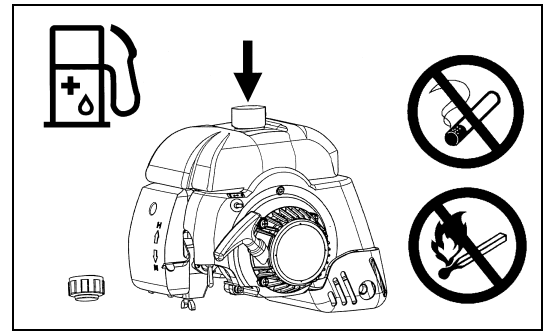


- Start the brush cutter only in accordance with the instructions. Do not use any other methods for starting the engine!
- Use the brush cutter and the tools only for such applications as specified.
- Only start the brush cutter engine, after the entire assembly is done. Operation of the device is only permitted after all the appropriate accessories are attached!
- Before starting make sure that the cutting tool has no contact with hard objects such as branches, stones etc. as the cutting tool will revolve when starting.
- The engine is to be switched off immediately in case of any engine problems.
- Should the cutting tool hit stones or other hard objects, immediately switch off the engine and inspect the cutting tool.
- Inspect the cutting tool at short regular intervals for damage (detection of hairline cracks by means of tapping-noise test).
- Operate the brush cutter only with the shoulder strap attached which is to be suitably adjusted before putting the brush cutter into operation. It is essential to adjust the shoulder strap according to the user's size to prevent fatigue occurring during use. Never hold the cutter with one hand during use.
- During operation always hold the brush cutter with both hands. Always ensure a safe footing.
- Operate the brush cutter in such a manner as to avoid inhalation of the exhaust gases. Never run the engine in enclosed rooms (risk of gas poisoning). Carbon monoxide is an odorless gas.
- Switch off the engine when resting and when leaving the brush cutter unattended, and place it in a safe location to prevent danger to others or damage to the machine.
- Never put the hot brush cutter onto dry grass or onto any combustible materials.
- The cutting tool has to be equipped with it's appropriate guard. Never run the cutter without this guard!
- All protective installations and guards supplied with the machine must be used during operation.
- Never operate the engine with faulty exhaust muffler.
- Shut off the engine during transport.
- During transport over long distances the tool protection included with the equipment must always be used.
- Ensure safe position of the brush cutter during car transportation to avoid fuel leakage.
- When dispatching the brush cutter, ensure that the fuel tank is completely empty.
- When unloading the Brush Cutter from the truck, never drop the Engine to the ground or this may severely damage the fuel tank.
- Except in case of emergency, never drop or cast the Brush Cutter to the ground or this may severely damage the Brush Cutter.
- Remember to lift the entire equipment from the ground when moving the equipment. Dragging the fuel tank is highly dangerous and will cause damage and leakage of fuel, possibly causing fire.



Refuelling

- Shut off the engine during refuelling, keep away from naked flames and do not smoke.
- Avoid skin contact with mineral oil products. Do not inhale fuel vapor. Always wear protective gloves during refuelling. Change and clean protective clothing at regular intervals.
- Take care not to spill either fuel or oil in order to prevent soil contamination (environmental protection). Clean the brush cutter immediately after fuel has been spilt. Avoid any fuel contact with your clothing. Change your clothing instantly if fuel has been spilt on it (to prevent clothing catching fire).
- Inspect the fuel cap at regular intervals making sure that it can be securely fastened.
- Carefully tighten and does not leak the fuel tank cap. Change location to start the engine (at least 3 meters (10ft) away from the place of refuelling).
- Never refuel in closed rooms. Fuel vapors accumulate at ground level (risk of explosion).
- Only transport and store fuel in approved containers. Make sure the fuel stored is not accessible to children.



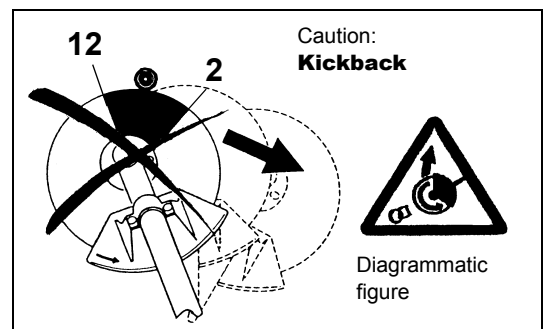
Method of operation

- Only use the brush cutter in good lighting and visibility. During the winter season beware of slippery or wet areas, ice and snow (risk of slipping). Always ensure a safe footing.
- Never cut above shoulder height.
- Never stand on a ladder and run the brush cutter.
- Never climb up into trees to perform cutting operation with the brush cutter.
- Never work on unstable surfaces.
- Remove sand, stones, nails etc. found within the working range. Foreign particles may damage the cutting tool and can cause dangerous kickbacks.
- Before commencing cutting, the cutting tool must have reached full working speed.



Kickback

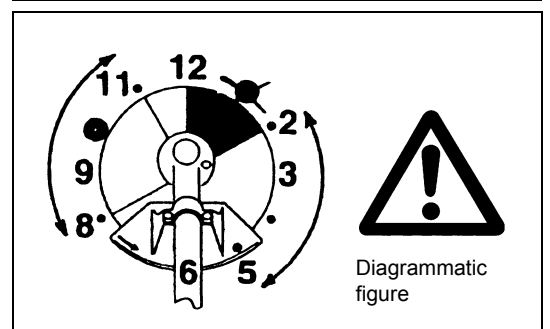
- When operating the brush cutter, uncontrolled kickback may occur.
- This is particularly the case when attempting to cut within a blade segment between 12 and 2 o'clock.
- Never apply the brush cutter within a segment between 12 and 2 o'clock.
- Never apply this segment of the brush cutter blade to solids, such as bushes and trees, etc., having a diameter in excess of 3 cm or the brush cutter will be deflected at great force with the risk of injuries.



Kickback prevention

To avoid kickbacks, observe the following:

- Operation within a blade segment between 12 and 2 o'clock presents positive hazards, especially when using metal cutting tools.
- Cutting operations within a blade segment between 11 and 12 o'clock, and between 2 and 5 o'clock, must only be performed by trained and experienced operators, and then only at their own risk. Easy cutting with almost no kickback is possible within a blade segment between 8 and 11 o'clock.



Cutting Tools

Employ only the correct cutting tool for the job in hand.

Nylon cutting head:

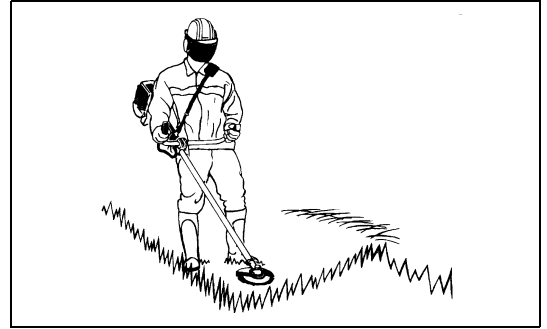
Exclusively designed for cutting along walls, fences, grass edges, trees, posts etc. (supplementing the grass mower). Perform this cutting work by swinging the grass trimmer evenly in half-circles from left to right.

Cutter blade (Star Blade (4 teeth), Eddy Blade (8 teeth)):

For cutting thick materials, such as weed, high grass, bushes, shrubs, underwood, thicket etc. (max. 2 cm dia. thickness). Perform this cutting work by swinging the brush cutter evenly in half-circles from right to left (similar to using a scythe).

Saw blade:

Please use saw blade in case bamboo leaves, small tree, pampas etc. are mixed in weed.



Maintenance instructions

- The condition of the cutter, in particular of the cutting tool of the protective devices and also of the shoulder strap must be checked before commencing work. Particular attention is to be paid to the cutting blades which must be correctly sharpened.
- Turn off the engine and remove the spark plug connector when replacing or sharpening cutting tools, and also when cleaning the cutter or cutting tool.

Never straighten or weld damaged cutting tools.

- Operate the brush cutter with as little noise and contamination as possible. In particular check the correct setting of the carburetor.
- Clean the brush cutter at regular intervals and check that all screws and nuts are well tightened.
- Never service or store the brush cutter in the vicinity of naked flames.
- Always store the brush cutter in locked rooms and with an emptied fuel tank.

Observe the relevant accident prevention instructions issued by the relevant trade associations and by the insurance companies.

Do not perform any modifications on the brush cutter as this will endanger your safety.

The performance of maintenance or repair work by the user is limited to those activities as described in the instruction manual. All other work is to be done by an Authorized Service Agent.

Use only genuine spare parts and accessories supplied MAKITA.

Use of non-approved accessories and tools means increased risk of accidents and injuries.

MAKITA will not accept any liability for accidents or damage caused by the use of any non-approved cutting tools attachments accessories.

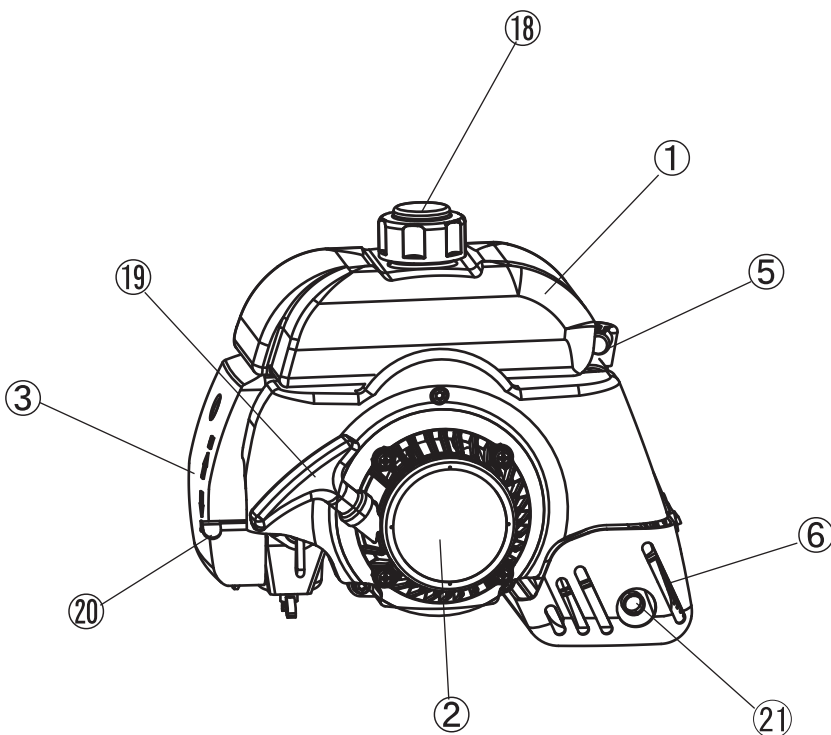
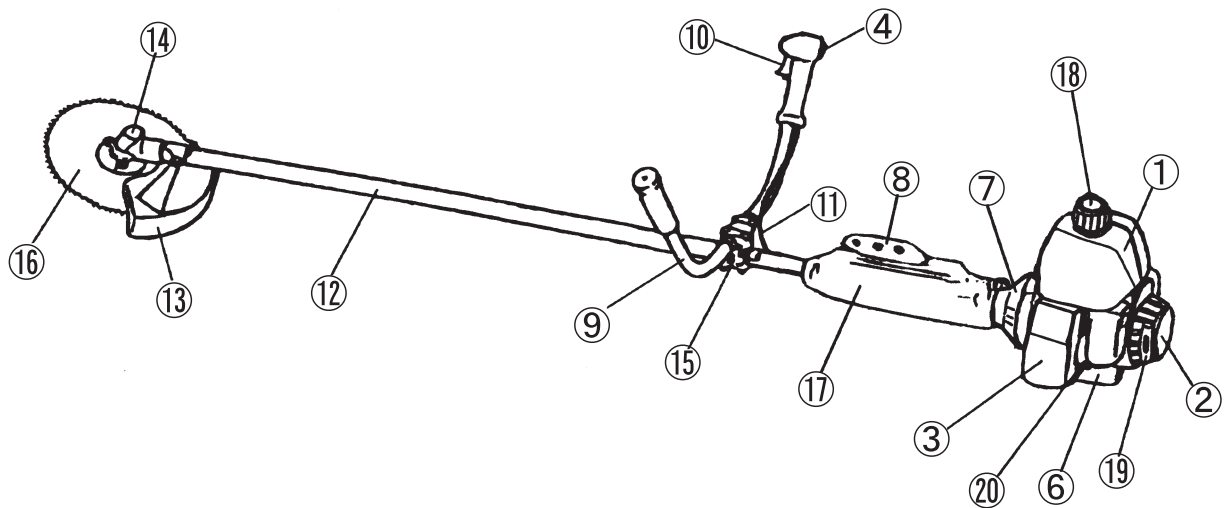


Technical data

Model		RBC411
		U handle
Dimensions: length x width x height (without cutting blade)	mm	1,705 x 620 x 435 (67" x 24" x 17")
Mass (without plastic guard and cutting blade)	kg	7.3 (16.1 lb)
Volume (fuel tank)	L	1.1
Engine displacement	cc	40.2
Maximum engine performance	HP	1.97 at 7,000 /min
Engine speed at recommended max. spindle speed	/min	8,500
Maximum spindle speed (corresponding)	/min	6,800
Fuel consumption	kg/h	0.98 (32.8 oz/h)
Specific fuel consumption	g/HPH	846 (29.9 oz/kwh)
Idling speed	/min	2,600
Clutch engagement speed	/min	3,600
Carburetor (Float - carburetor)	type	MIKUNI VM
Ignition system	type	Solid state ignition
Spark plug	type	NGK BPM7A
Electrode gap	mm	0.6 - 0.7
Mixture ratio (Fuel: MAKITA 2-stroke oil)		25 : 1
Gear ratio		13/19

1) The data takes equally into account the idling and racing or wide open throttle speed operating modes.

Designation of parts



GB	Designation of parts
1	Fuel Tank
2	Rewind Starter
3	Air Cleaner
4	I-O Switch (on/off)
5	Spark Plug
6	Exhaust Muffer
7	Clutch Case
8	Hanger
9	Handle
10	Throttle Lever
11	Throttle wire
12	Shaft
13	Protector
14	Gear Case
15	Handle Holder
16	Cutter Blade
17	Waist Pad
18	Fuel Filler Cap
19	Starter Knob
20	Choke Lever
21	Exhaust Pipe

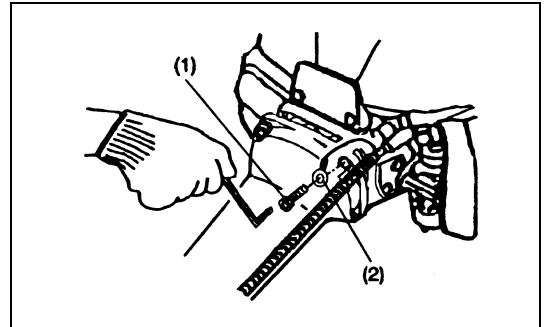
Assembly of engine and shaft

CAUTION: Before doing any work on the brush cutter, always switch off the motor and pull the spark plug connector off the spark plug.

Always wear protective gloves.

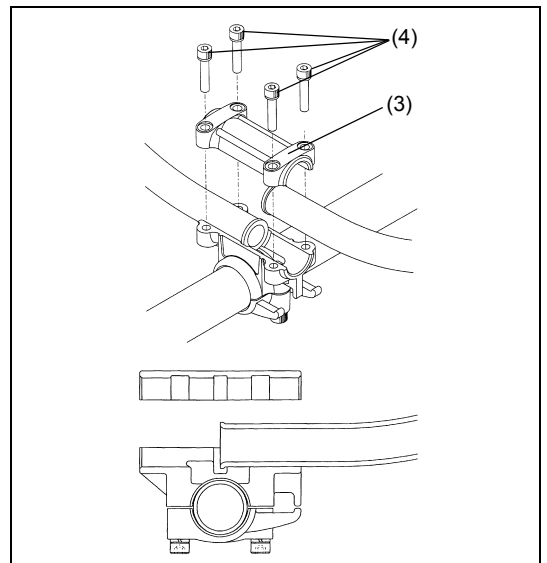
CAUTION: Start the brush cutter only after having assembled it completely.

- After checking the parts, fasten the drive shaft to the engine with four bolts M6 x 22(1). At this time, fasten also the earth terminal (2) of the stop cord to the engine.



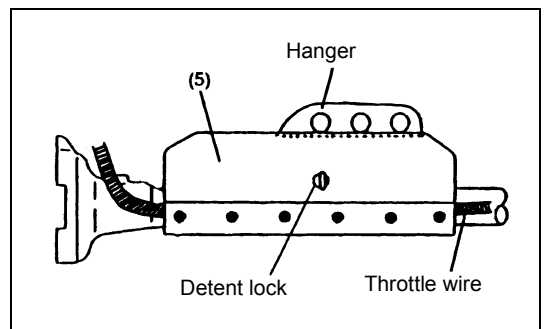
Mounting of handle

- Place the handle with the throttle lever on the handle holder on the right side (to be held by the right hand) and the other on the left side.
- Fit the handle edge to the handle holder groove, and provisionally fix the upper side (3) of the handle holder by four bolts M5 x 25 (4).
- Adjust the handle to an angle easy to manipulate, and tighten the bolt (4) uniformly on the right and left sides.



- Mount the waist pad (5). When the waist pad is mounted, be sure to confirm that the wires do not move horizontally.
- Avoid any tendency of the throttle wire to loop at the handle bar.

The purpose of the detent lock is to prevent the engine from rotating relative to the drive shaft while operating the starter or transporting the equipment from place to place. The detent should be unlocked while the unit is being used.



Mounting of protector

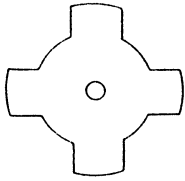
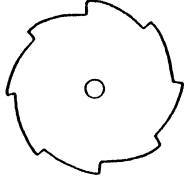
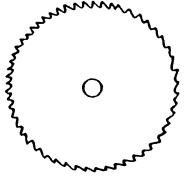
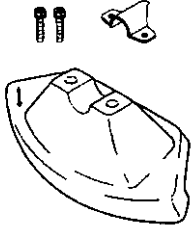
To meet the applicable safety provisions, only the tool/protector combinations as indicated in the table must be used.



Be sure to use genuine MAKITA cutter blade or nylon cutting head.

- The cutter blade must be well polished, free of cracks or breakage.
- If the cutter blade hits against a stone during operation, stop the engine and check the blade immediately.
- Polish or replace the cutter blade every three hours of operation.

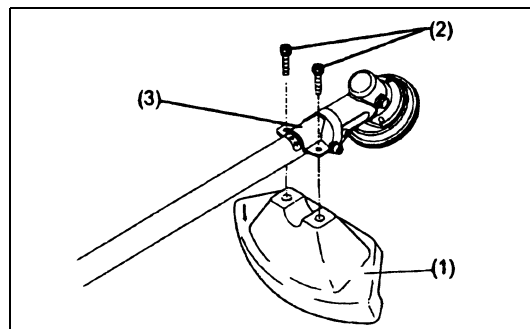
- The outside diameter of the cutter blade must be 255 mm (10-1/32").
Never use any blades surpassing 255 mm (10-1/32") in outside diameter.

Star Blade	Eddy Blade	Saw Blade	Protector for metal blade
			
PART NO. 6418501400	PART NO. 6418501900	PART NO. 6418501600	PART NO. 6418026000

CAUTION: The appropriate protector must always be installed, for your own safety and in order to comply with accident-prevention regulations. Operation of the equipment without the guard being in place is not permitted.

- Fix the protector (1) to the clamp (3) with two bolts M6 x 30 (2).

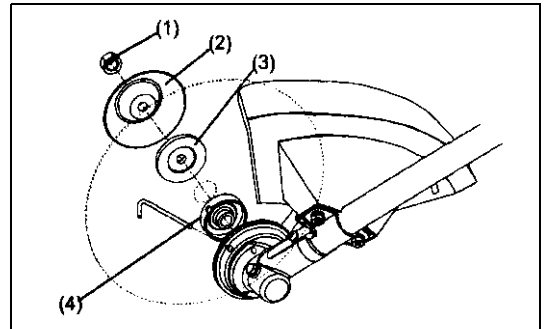
NOTE: Tighten the right and left bolts evenly so that the gap between the clamp (3) and the protector (1) will be constant. Otherwise, the protector sometimes may not function as specified.



Mounting of cutter blade



- Insert the hex wrench through the hole in the gear case and rotate the receiver washer (4) until it is locked with the hex wrench.
- Loosen the nut (1) (left-hand thread) with the socket wrench and remove the nut (1), cup (2), and clamp washer (3).



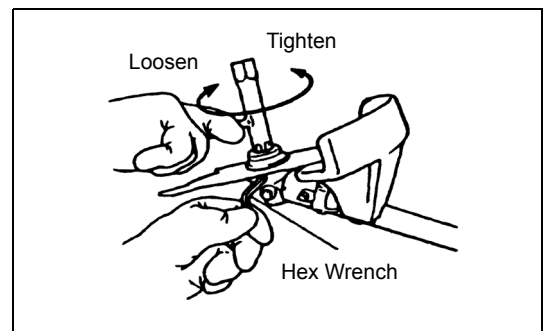
Mounting of cutter blade

With the hex wrench still in place.

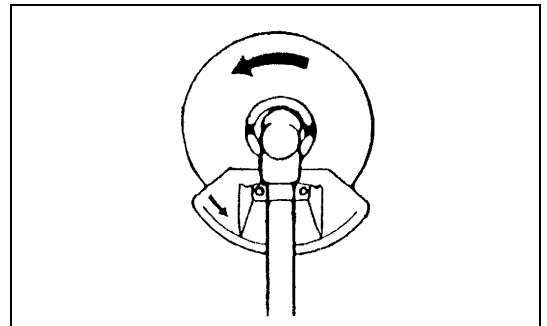
- Mount the cutter blade onto the shaft so that the guide of the receiver washer (4) fits in the arbor hole in the cutter blade. Install the clamp washer (3), cup (2), and secure the cutter blade with the nut (1).
[Tightening torque: 13 - 23 N•m]

NOTE: Always wear gloves when handling the cutter blade.

NOTE: The cutter blade-fastening nut (with coned disc spring) is a consumable part.
If there appears any wear or deformation on the coned disc spring washer, replace the nut.



Make sure that the blade is the left way up.





Handling petroleum products

Utmost care is required when handling fuel. Fuel may contain substances similar to solvents. Refuel either in a well ventilated area or outdoors. Do not inhale fuel vapors, avoid any contact of fuel or oil with your skin.

Mineral oil products degrease your skin. If your skin comes in contact with these substances repeatedly and for an extended period of time, various skin diseases may result. In addition, allergic reactions are known to occur. Eyes can be irritated by contact with oil, fuel etc.

If oil comes into your eyes, immediately wash them with clear water.

If your eyes are still irritated, see a doctor immediately.

Fuel and oil mixture

The engine of the brush cutter is a high-efficiency two-stroke engine. It is run with a mixture of fuel and two-stroke engine oil. The engine is designed to use unleaded regular fuel with a min. Octane value of 91 RON. If no such fuel is available, you can use fuel with a higher octane value. This will not affect the engine, but may cause poor operating behavior.

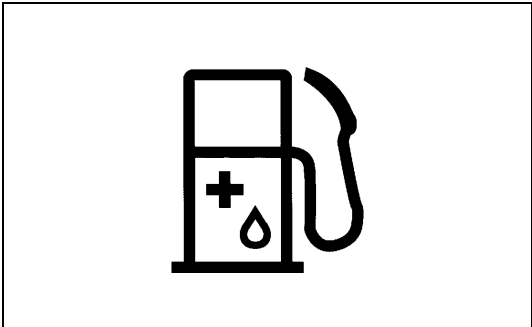
A similar situation will arise from the use of leaded fuel. To obtain optimum engine performance and to protect your health and the environment, only unleaded fuel should be used!


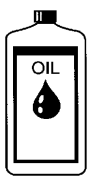
For engine lubrication use a two-stroke engine oil (quality grade: TC-3), which is added to the fuel. The engine has been designed to use MAKITA two-stroke engine oil at mixture ratio of 25:1 to protect the environment. In addition, a long service life and reliable operation with a minimum emission of exhaust gasses is assured. It is absolutely essential to observe a mixture ratio of 25:1 MAKITA 2-stroke engine oil. Otherwise reliable function of the brush cutter cannot be guaranteed.

The correct mixture ratio:

Mix 25 parts gasoline with 1 part MAKITA 2-stroke engine oil (see table on right).

NOTE: For preparing the fuel-oil mixture first mix the entire oil quantity with half of the fuel required in an approved can which meets or exceeds all local code standards, then add the remaining fuel. Thoroughly shake the mixture before filling it into the brush cutter tank. It is not wise to add more engine oil than specified to ensure safe operation. This will only result in a higher production of combustion residues which will pollute the environment and clog the exhaust channel in the cylinder, the spark plugs as well as the muffler. In addition, fuel consumption will rise and the performance will be decreased.



Gasoline (premium unleaded)	+	25:1 OIL
		
1,000 cc (1L)		40 cc
5,000 cc (5L)		200 cc
10,000 cc (10L)		400 cc

Refuelling

Never perform refuelling operations in a closed, unventilated area.

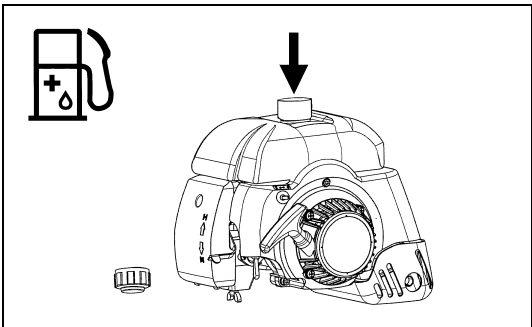
The engine must be switched off!

- Thoroughly clean the area around the gas cap, to prevent dirt from getting into the fuel tank.
- Unscrew the gas cap and fill the tank with fuel.
- Never fill the fuel tank to the very top.
- Securely screw on the gas cap.
- Wipe the screw plug and tank with an absorbent after refuelling!
Allow cloths to dry and discard in a proper container.

Storage of Fuel

Fuel cannot be stored for an unlimited period of time.

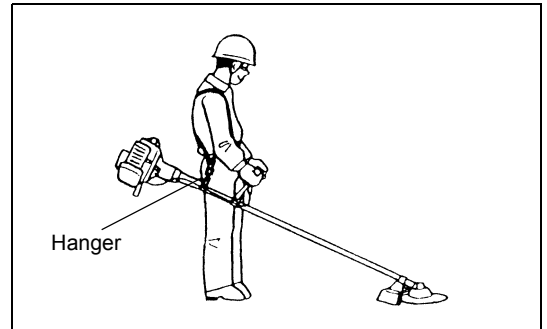
Purchase only the quantity required for a 4 week operating period. Only use approved fuel storage containers.



Correct handling of machine

Attachment of shoulder strap

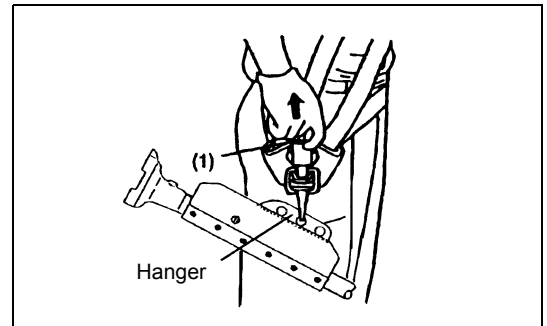
- Adjust the strap length so that the cutter blade will be kept parallel with the ground.



Detachment

- In case of emergency, remove the emergency detachment lever (1) by pulling strongly with a finger. The machine will detach from body.
Be extremely careful to maintain control of the machine at this time. Do not allow the machine to be deflected toward you or anyone in the work vicinity.

WARNING: Failure to maintain complete control of the machine at all could result in serious bodily injury or DEATH.



Putting into operation

Observe the applicable accident prevention regulations!

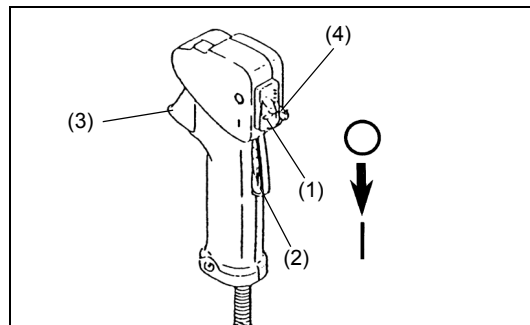



Starting

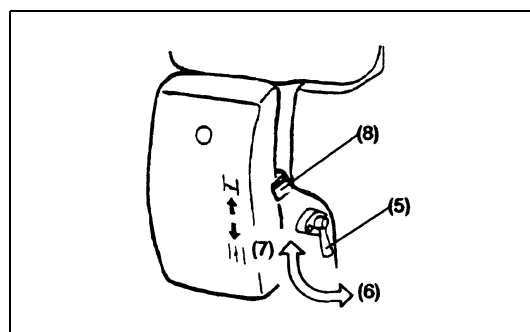
Move at least 3m (10ft) away from the place of refuelling. Place the brush cutter on a clean piece of ground taking care that the cutting tool does not come into contact with the ground or any other objects.

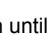
Cold start

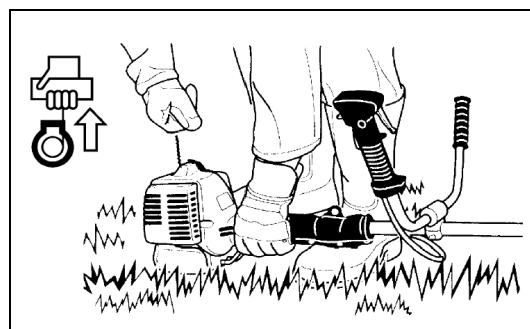
- Push the I-O switch (1) in the direction shown by the arrow.
- Grasp the handle (hand pressure activates the safety lock-off lever (2)).
- Press the throttle lever (3) and hold it down.
- Press the lock button (4) and release the control lever, and then release the lock button (the lock button holds the throttle lever in the start-up position).



- First place the machine on the ground.
- Open the fuel valve. The valve opens when the lever (5) is at right angles to the ground (6). The valve closes when the lever is parallel with the ground (7).
- Move the choke lever (8) to the top position ().



- Firmly hold the clutch case by your left hand, as illustrated.
- Slowly pull the starter grip until resistance is felt and continue with a smart pull.
- Do not pull out the starter rope to its full extent and do not allow the starter handle to be retracted without control, but ensure that it is retracted slowly.
- Repeat the starting operation until initial ignitions are heard.
- Depress the choke lever () and pull the starter rope again until the engine starts.
- As soon as the engine starts, immediately tap and release the throttle, thus releasing the half-throttle lock so that the engine can run in idle.
- Run the engine for approximately one minute at a moderate speed before applying full throttle.



Caution during operation:

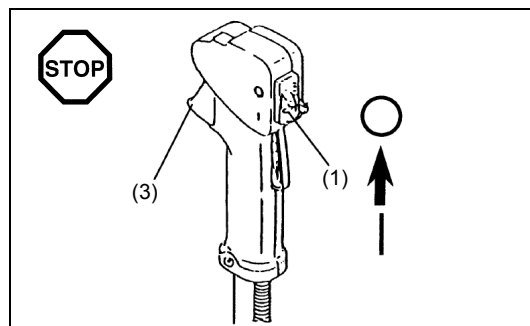
If the throttle lever is opened fully in a no-load operation, the engine rotation is increased to 10,000 /min or more. Never operate the engine at a higher speed than required and at an approximate speed of 6,000 - 8,000 /min.

Starting the warm engine

- As described above, except without moving the choke lever (choke lever remains in the down position).

Stopping

- Release the control lever (3) fully, and when the engine speed has lowered, push the I-O switch (1) to "O" position the engine will now stop.

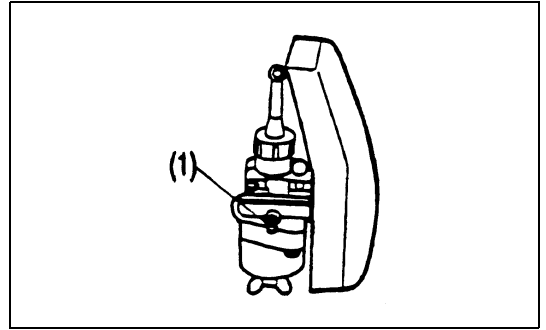


IDLE ADJUSTMENT

The cutter blade or the nylon cutting head should not run when the control lever is fully released. If necessary, adjust the idle rpm using the idle adjusting screw.

Checking the Idling speed

- Idle speed should be set to 2,600 /min.
If necessary correct it by means of the idle screw (the blade or the nylon cutting head must not turn when the engine is at idle).
Screwing in the screw (1) will cause an increase in the engine speed, whereas backing off the screw will reduce the engine speed.



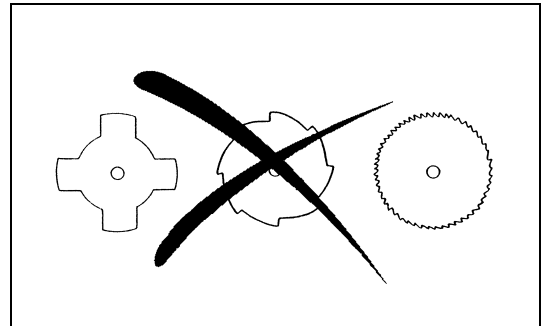
Resharpener the cutting tool

CAUTION: The cutting tools mentioned below must only be resharpened by an authorized facility. Manual resharpening will result in imbalances of the cutting tool causing vibrations and damage to the equipment.

- cutter blade (star blade (4 teeth), eddy blade (8 teeth), saw blade)

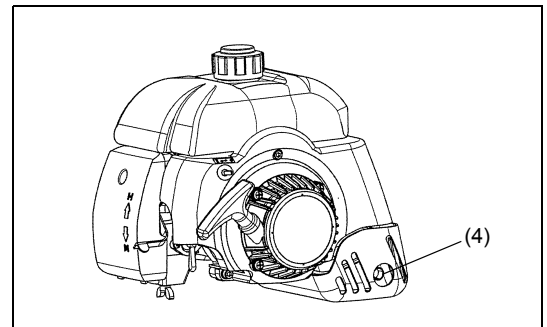
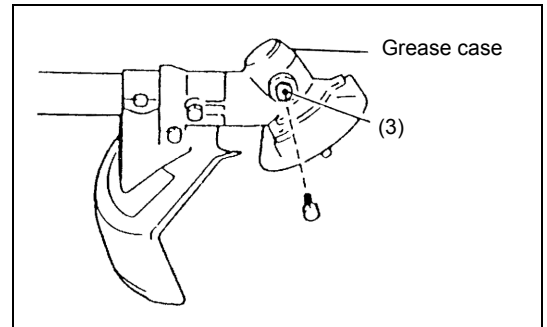
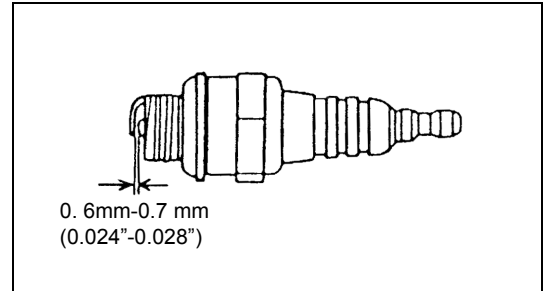
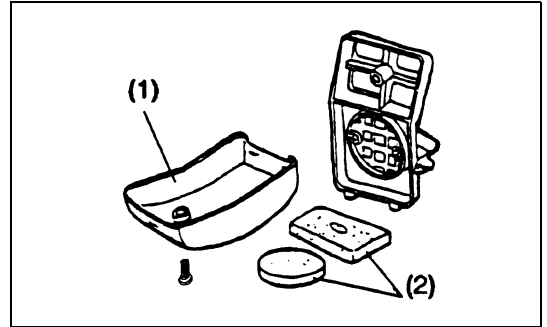
An expert resharpening and balancing service is provided by Authorized Service Agents.

NOTE: To increase the service life of the cutter blade (star blade, eddy blade, saw blade) it may be turned over once, until both cutting edges have become blunt.



Maintenance schedule

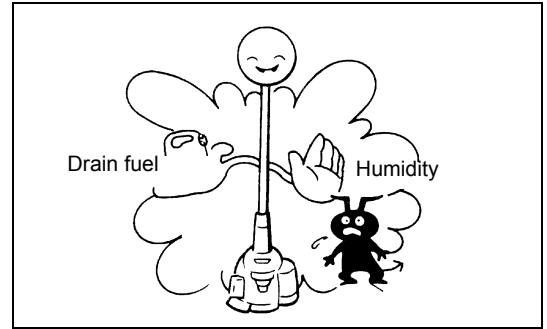
1. Before operation, pay particular attention to the tightness of Cutter Blade or nylon cutting head.
Check bolts and nuts and retighten if necessary.: Every 8 hour (Daily)
2. Check clogging of the cooling air passage and the cylinder fins. Clean them if necessary.: Every 8 hours (Daily)
3. Cleaning of air cleaner.: Every 8 hours (Daily)
 - 1) Remove the air cleaner cover (1) and clean the sponge element (2).
If there is excessive dust or dirt adhering to cleaner, clean it.
A clogged air cleaner may make it difficult or impossible to start the engine or increase the engine rotational speed.
 - 2) Install the sponge element around the ribs of the air cleaner case.
4. Checkup of spark plug.: Every 8 hours (Daily)
The gap between the two electrodes of the spark plug should be 0.6 to 0.7 mm (0.024" to 0.028").
If the gap is too wide or too narrow, adjust it.
If the spark plug is clogged with carbon or fouled, clean it thoroughly or replace it.
5. Supply of grease to gear case.
Apply grease (SHELL ALVANIA No.3 or equivalent) to the gear case through the grease hole (3) every 30 hours.
(Genuine MAKITA grease may be purchased from your MAKITA dealer.)
6. Cleaning of muffler exhaust port: Every 50 hours (Monthly)
If the exhaust port (4) is clogged with carbon, remove it by scraping and tapping gently with a screwdriver or the like.
7. Check of fuel filter. If clogged, clean the filter.
8. Replace fuel lines.: Every 200 hours (Yearly)
9. Overhaul engine.: Every 200 hours (Yearly)
10. Replace packings and gaskets with new ones.: Every time engine is reassembled.



General	Engine assembly, screws and nuts	Visual inspection for damage and tightness Check for general condition and security
After each refuelling	Throttle lever Safety lock key ON-OFF switch	Functional check Functional check Functional check
Daily	Sponge element (air filter) Cooling air duct Cutting blade Idling speed	To be cleaned To be cleaned Check for damage and sharpness Inspection (cutting tool must not move)
Weekly	Spark plug Muffler	Inspection, replace if necessary Check and if necessary clean the opening
Quarterly	Suction head (gas line filter) Fuel tank	To be replaced To be cleaned
Shutting down procedure	Fuel tank Carburetor	Empty fuel tank Operate until engine runs out of fuel

Storage

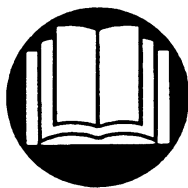
- When the machine is in storage for a long time, drain fuel from the fuel tank and carburetor, as follows: Drain all fuel from the fuel tank. Dispose of properly and in accordance with all local laws.
- Remove the spark plug and a few drops of oil into the spark plug hole. Then, pull the starter gently, so that oil covers the engine inside and tighten the spark plug.
- Clear dirt or dust from the cutter blade and outside of engine, wipe them with a oil-immersed cloth and keep the machine in a place as dry as possible.



Fault location

Fault	System	Observation	Cause
Engine not starting or with difficulty	Ignition system	Ignition spark O.K.	Fault in fuel supply or compression system, mechanical defect
		No ignition spark	I-O switch operated, wiring fault or short circuit, spark plug or connector defective, ignition module faulty
	Fuel supply	Fuel tank filled	Incorrect choke position, carburetor defective, fuel supply line bent or blocked, fuel dirty.
	Compression	No compression when pulled over	Cylinder bottom gasket defective, crankshaft seals damaged, cylinder or piston rings defective or improper sealing of spark plug
	Mechanical fault	Starter not engaging	Broken starter spring, broken parts inside of the engine
Warm start problems		Tank filled ignition spark existing	Carburetor contaminated, must be cleaned
Engine starts but dies immediately	Fuel supply	Tank filled	Incorrect idling adjustment, carburetor contaminated Fuel tank vent defective, fuel supply line interrupted, cable or I-O switch faulty
Insufficient performance	Several systems may simultaneously be affected	Engine idling poor	Air filter contaminated, carburetor contaminated, muffler clogged, exhaust duct in the cylinder clogged

Obrigado por seleccionar o Cortador de mato da MAKITA. É com satisfação que podemos oferecer o cortador de mato da MAKITA como resultado de um longo programa de desenvolvimento e muitos anos de conhecimento e experiência. Leia, compreenda e siga este livreto, o qual se refere em detalhes aos vários pontos que demonstrarão seu excelente desempenho. Isto irá lhe ajudar a obter o melhor resultado possível de seu Cortador de mato da MAKITA.



Índice	Página
Símbolos	18
Instruções de segurança.....	19-22
Dados técnicos.....	23
Designação de peças.....	24
Montagem do motor e eixo	25
Montagem do punho	25
Montagem do protetor.....	26
Montagem do disco do cortador.....	27
Combustíveis/abastecimento	28
Correto manuseio da máquina.....	29
Colocação em funcionamento.....	30
Afição da ferramenta de corte.....	31
Programação de manutenção.....	32
Armazenamento.....	33

Símbolos

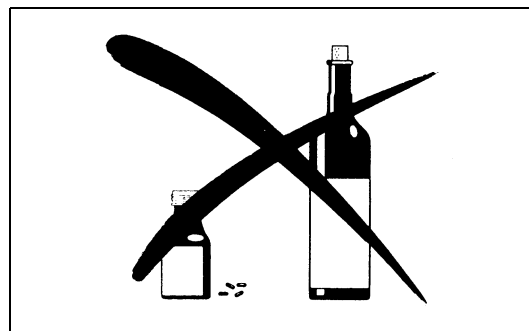
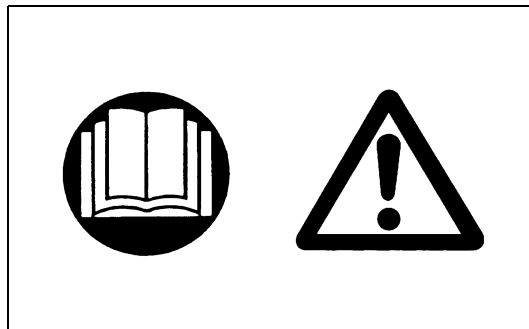
Os seguintes símbolos serão notados ao ler o manual de instruções.

	Leia o manual de instruções		Mantenha a área de operação livre de pessoas e animais de estimação
	Tenha muito cuidado e preste atenção		Use um capacete e proteção ocular e de ouvidos
	Proibido		Velocidade máxima permitida da ferramenta
	Mantenha distância		Mistura de combustível e óleo
	Perigo de objeto solto no ar		Início manual do motor
	Proibido fumar		Parada de emergência
	Proibida chama aberta		Primeiros socorros
	Luvas de proteção devem ser usadas		Reciclagem
	Usar botas resistentes com solas antiderrapantes. Botas de segurança com bicos de aço são recomendadas		ON/START
	Rebote		OFF/STOP

Instruções de segurança

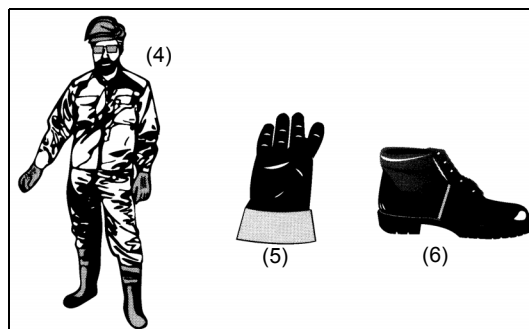
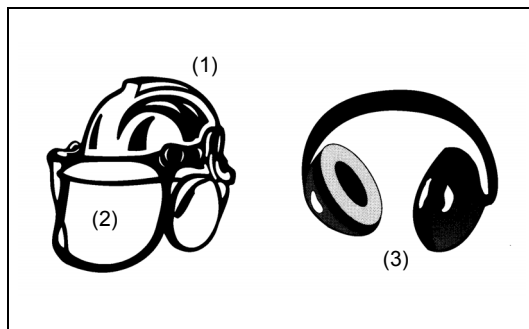
Instruções gerais

- Para assegurar a operação correta e segura, o usuário deve ler, compreender e seguir este manual de instruções para assegurar sua familiaridade com o manuseio do cortador de mato. Os usuários insuficientemente informados correrão riscos, assim como outras pessoas devido ao manuseio inapropriado.
- Recomenda-se somente emprestar o cortador de mato a pessoas que tenham experiência comprovada com cortadores de mato. Sempre entregue o manual de instruções.
- Os usuários que estejam utilizando pela primeira vez devem pedir ao vendedor instruções básicas para se familiarizarem com o manuseio de um cortador motorizado.
- Crianças e jovens com menos de 18 anos não devem ser permitidos a operar o cortador de mato. Pessoas acima de 16 anos podem, porém, utilizar a ferramenta para o propósito de treinamento apenas, enquanto estiverem sob supervisão direta de um instrutor qualificado.
- Utilize cortadores de mato com o maior cuidado e atenção.
- Opere o cortador de mato somente se estiver em boas condições físicas. Execute todo o trabalho com consciência e cuidado. O usuário tem que aceitar responsabilidade sobre os outros.
- Nunca utilize o cortador de mato enquanto estiver sob influência de drogas ou álcool.
- Não use a unidade quando estiver cansado.
- **Guarde estas instruções para consultas futuras.**



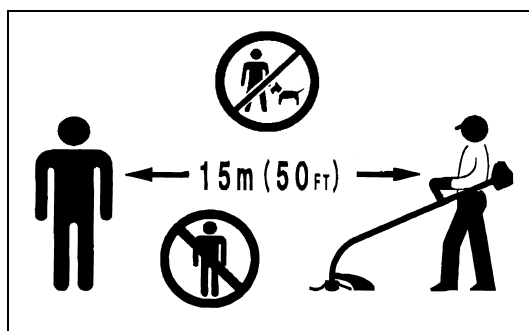
Equipamentos de proteção pessoal

- As roupas usadas devem ser funcionais e apropriadas, ou seja, devem justas, mas não devem causar qualquer impedimento. Não use jóias, roupas ou cabelos compridos que possam enroscar com mato ou arbustos.
- Para evitar ferimentos à cabeça, olhos, mãos ou pés, assim como para proteger sua audição, os seguintes equipamentos e vestimentas de proteção devem ser usados durante o uso do cortador de mato.
- Use sempre um capacete quando trabalhar na floresta. O capacete protetor (1) deve ser verificado em intervalos regulares e ser substituído pelo menos a cada cinco anos. Use somente capacetes protetores aprovados.
- O visor (2) do capacete (ou óculos de proteção aprovados) protegem o rosto de galhos finos, pedras ou outros objetos que se soltam no ar. Durante a operação do cortador de mato, use sempre óculos de proteção ou um visor para evitar ferimentos aos olhos.
- Use equipamento de proteção anti-ruído adequado para evitar danos à audição (protetores auriculares(s), tampões de ouvido, etc.), especialmente durante longos períodos de trabalho.
- Os macacões de trabalho (4) protegem contra pedras e farpas que se soltam. Recomendamos com veemência que o usuário vista macacões de trabalho.
- Luvas especiais (5) fabricadas com couro grosso fazem parte do equipamento prescrito e devem ser sempre usadas durante a operação do cortador de mato.
- Quando utilizar o cortador de mato, use sempre sapatos (6) de segurança com sola antiderrapante. Isto protege contra ferimentos e assegura firmeza dos pés.

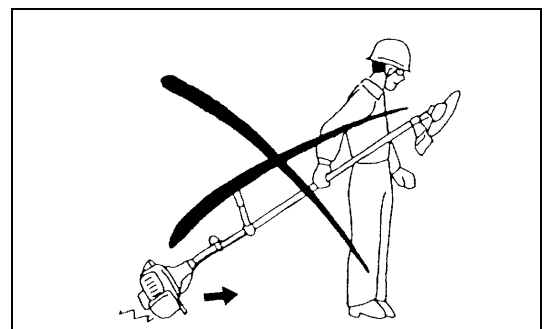
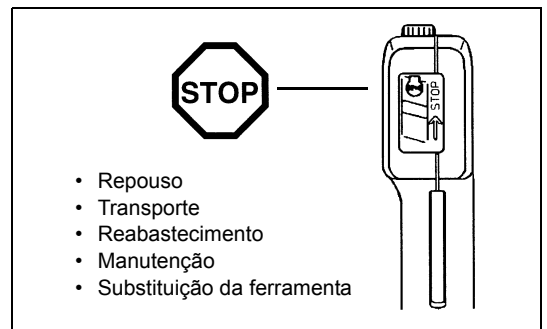
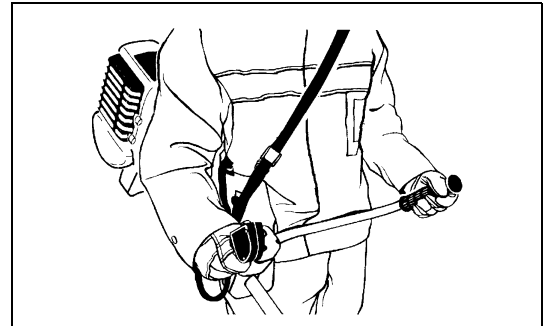
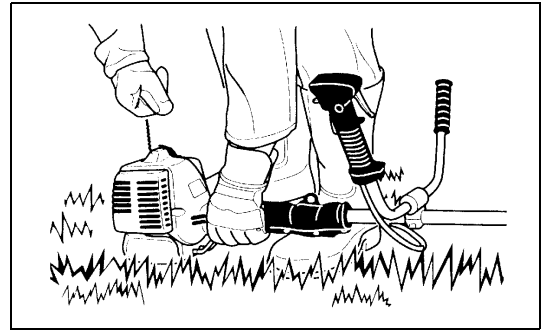


Colocação do cortador de mato em funcionamento

- Certifique-se de que não haja crianças ou outras pessoas dentro de uma área de trabalho de 15 metros, prestando atenção também para animais nas proximidades do trabalho.
- Antes de colocar em funcionamento, verifique se o cortador de mato está seguro para operação:
Verifique a segurança do disco do cortador. Certifique-se de que a porca de montagem do disco está firmemente segura. O acelerador deve ser verificado para ver se está com movimento fácil e sem problemas. Verifique se a trava do acelerador está funcionando corretamente. O disco do cortador não deve girar enquanto estiver ocioso.
Consulte as instruções de ajuste de marcha lenta na página 31. Verifique se os punhos estão limpos e secos e teste o funcionamento do botão ON-OFF (liga/desliga).
Mantenha os punhos limpos de óleo e combustível.

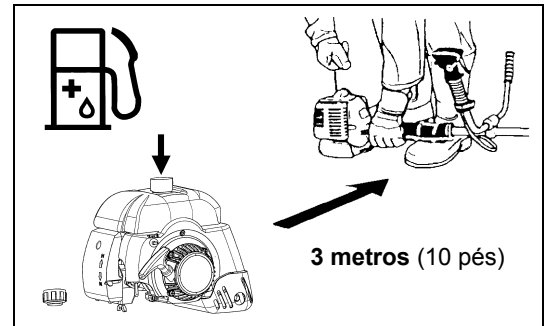
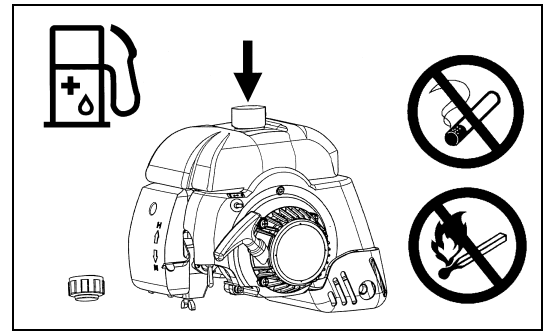


- Dê início ao cortador de mato somente de acordo com as instruções. Não use qualquer outro método de partida do motor!
- Utilize o cortador de mato e as ferramentas somente para as aplicações conforme especificadas.
- Dê partida ao cortador de mato somente depois que o conjunto inteiro estiver pronto. A operação do aparelho é permitida somente depois que todos os acessórios apropriados estiverem colocados!
- Antes de dar início, certifique-se de que a ferramenta de corte não está em contato com objetos duros, tais como galhos de árvore, pedras, etc. enquanto a ferramenta de corte gira na inicialização.
- O motor deve ser desligado imediatamente no caso de qualquer problema com o mesmo.
- Se a ferramenta de corte bater em pedras ou outros objetos duros, desligue imediatamente o motor e inspecione a ferramenta de corte.
- Inspeção a ferramenta de corte em intervalos regulares quanto a danos (detecção de rachaduras finas através do teste de ruído ao dar batidas).
- Opere o cortador de mato somente com a alça de ombro colocada, a qual deve estar ajustada adequadamente antes de colocar o cortador de mato em funcionamento. É fundamental ajustar a alça de ombro de acordo com o tamanho do usuário para evitar cansaço durante o uso. Nunca segure o cortador com uma mão durante o uso.
- Durante a operação, segure sempre o cortador de mato com ambas as mãos. Assegure sempre um posicionamento firme dos pés.
- Opere o cortador de mato de modo que seja evitada a inalação de gases de escape. Nunca coloque o motor em funcionamento em ambientes fechados (risco de envenenamento por gás). Monóxido de carbono é um gás sem odor.
- Desligue o motor enquanto estiver descansando e quando deixar o cortador de mato desacompanhado, e coloque-o em um lugar seguro para evitar perigos para outros ou danos à máquina.
- Nunca coloque o cortador de mato quente sobre a grama seca ou sobre materiais inflamáveis.
- A ferramenta de corte tem que ser equipada com seu protetor apropriado. Nunca coloque o cortador em funcionamento sem este protetor!
- Todas as instalações de proteção e protetores fornecidos com o aparelho devem ser usados durante o funcionamento.
- Nunca opere o motor com um silenciador de escape defeituoso.
- Desligue o motor durante o transporte.
- Durante o transporte por longas distâncias, deve-se usar sempre a proteção da ferramenta incluída com o equipamento.
- Assegure a posição segura do cortador de mato durante o transporte por carro para evitar vazamento de combustível.
- Quando despachar o cortador de mato, certifique-se de que o tanque de combustível está completamente vazio.
- Quando descarregar o cortador de mato do caminhão, nunca deixe o motor cair no chão ou isto pode danificar seriamente o tanque de combustível.
- Exceto no caso de uma emergência, nunca deixe cair ou jogue o cortador de mato no chão ou isto pode danificar seriamente o cortador de mato.
- Lembre-se de levantar todo o equipamento do chão ao carregá-lo. Arrastar o tanque de combustível é altamente perigoso e poderá causar danos e vazamento de combustível, possivelmente causando incêndio.



Reabastecimento

- Desligue o motor durante o reabastecimento, mantendo o equipamento longe de chamas e não fume.
- Evite o contato da pele com produtos de óleo mineral. Não inale vapor de combustível. Vista sempre luvas protetoras durante o reabastecimento. Mude e limpe roupas protetoras em intervalos regulares.
- Cuidado para não derramar combustível ou óleo para evitar contaminação do solo (proteção ambiental). Limpe o cortador de mato imediatamente depois de derramar combustível. Evite qualquer contato do combustível com sua roupa. Mude de roupa imediatamente se derramar combustível nela (para evitar que a roupa pegue fogo).
- Inspeção a tampa do combustível em intervalos regulares, certificando-se de que foi apertada com segurança.
- Aperte cuidadosamente e não deixe vaziar na tampa do tanque de combustível. Mude de local para dar partida ao motor (pelo menos 3 metros ou 10 pés de distância do local de reabastecimento).
- Nunca reabasteça em ambientes fechados. Os vapores de combustível se acumulam ao nível do chão (risco de explosão).
- Somente transporte e armazene combustível em recipientes aprovados. Certifique-se de que o combustível armazenado não é acessível por crianças.



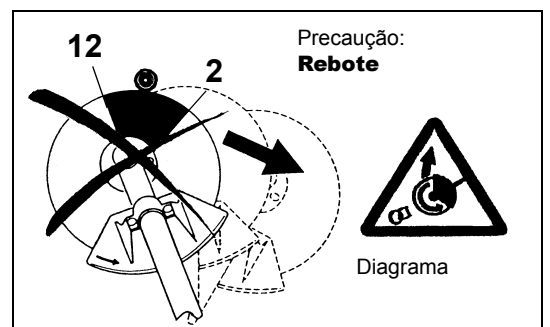
Método de operação

- Utilize somente o cortador de mato em boas condições de luminosidade e visibilidade. Durante a estação de inverno, cuidado com áreas escorregadias ou molhadas, gelo e neve (risco de escorregão). Assegure sempre um posicionamento firme dos pés.
- Nunca faça cortes acima da altura dos seus ombros.
- Nunca suba em uma escada e coloque o cortador de mato em funcionamento.
- Nunca suba em árvores para executar a operação de corte com o cortador de mato.
- Nunca trabalhe em superfícies instáveis.
- Remova areia, pedras, pregos, etc. encontrados na área de trabalho. Partículas estranhas podem danificar a ferramenta de corte e causar rebotes perigosos.
- Antes de começar o corte, a ferramenta de corte deve chegar à velocidade de trabalho máxima.



Rebote

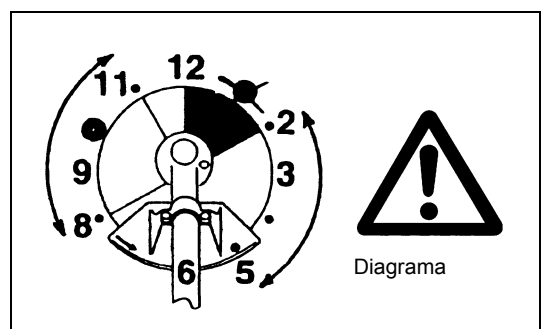
- Quando operar o cortador de mato, pode ocorrer rebote.
- Este é particularmente o caso quando a tentativa de cortar dentro de um segmento do disco entre 12 e 2 horas.
- Nunca aplique o cortador de mato dentro de um segmento entre 12 e 2 horas.
- Nunca aplique este segmento do disco do cortador de mato a sólidos, tais como galhos e árvores, etc., tendo um diâmetro maior de 3 cm ou o cortador de mato será desviado com grande força causando o risco de ferimentos.



Prevenção de rebote

Para evitar rebotes, observe o seguinte:

- A operação dentro de um segmento do disco entre 12 e 2 horas apresenta perigos reais, especialmente quando utilizar ferramentas de corte de metal.
- As operações de corte dentro de um segmento do disco entre 11 e 2 horas e entre 2 e 5 horas devem ser realizadas somente por operadores treinados e experientes e somente aos seus próprios riscos. O corte com quase nenhum rebote é possível dentro de um segmento de lâmina entre 8 e 11 horas.



Ferramentas de corte

Empregue somente a ferramenta de corte correta para o trabalho em mãos.

Cabeçote de corte de náilon:

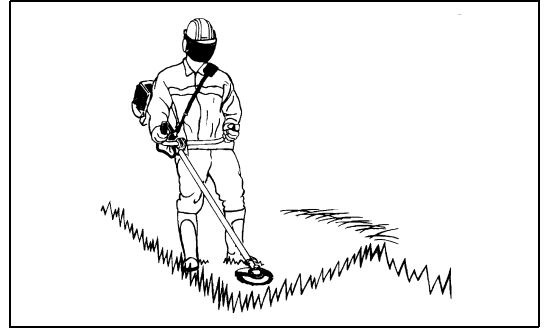
Exclusivamente desenhado para o corte ao longo de paredes, cercas, cantos de grama, árvores, estacas, etc. (suplementando o cortador de grama). Realize este trabalho de corte ao balançar o aparador de grama uniformemente em meio-círculo da esquerda para a direita.

Disco do cortador (disco em estrela de 4 dentes, disco tipo redemoinho de 8 dentes):

Para corte de materiais grossos, tais como ervas daninhas, grama alta, moitas, arbustos, vegetação rasteira, bosques cerrados, etc. (máx. 2 cm de diâmetro de espessura). Realize este trabalho de corte ao balançar o cortador de mato uniformemente em meio-círculo da direita para a esquerda (similarmente ao uso de uma gadanha).

Disco tipo serrote:

Use disco tipo serrote no caso de folhas de bambu, pequenas árvores, pampas, etc. estarem misturados com ervas daninhas.



Instruções de manutenção

- A condição do cortador, em particular da ferramenta de corte, dos dispositivos protetores e também a alça do ombro, deve ser verificada antes de começar o trabalho. Atenção especial deve ser prestada aos discos de corte, os quais devem estar corretamente afiados.
- Desligue o motor e remova o conector da vela de ignição quando substituir ou afiar ferramentas de corte e também quando limpar o cortador ou a ferramenta de corte.

Nunca regule ou solde ferramentas de corte danificadas.

- Opere o cortador de mato com o mínimo de barulho e contaminação possível. Em especial, verifique o ajuste correto do carburador.
- Limpe o cortador de mato em intervalos regulares e verifique se todos os parafusos e porcas estão bem apertados.
- Nunca conserte ou guarde o cortador de mato nas proximidades de chamas descobertas.
- Guarde sempre o cortador de mato em quartos trancados e com o tanque de combustível vazio.

Observe as instruções de prevenção de acidentes relevantes emitidas pelas associações comerciais e por companhias de seguros.

Não execute quaisquer modificações no cortador de mato, pois isto colocará em perigo a sua segurança.

O desempenho de manutenção ou reparo pelo usuário é limitado às atividades conforme descritas no manual de instruções. Todos os outros tipos de trabalho são para serem executados por um representante de assistência técnica autorizado.

Use somente peças de reposição e acessórios genuínos fornecidos pela MAKITA.

O uso de acessórios e ferramentas não aprovados significa um risco maior de acidentes e ferimentos.

A MAKITA não aceitará qualquer responsabilidade por acidentes ou danos causados pelo uso de acessórios de conexão a ferramentas de corte não aprovados.

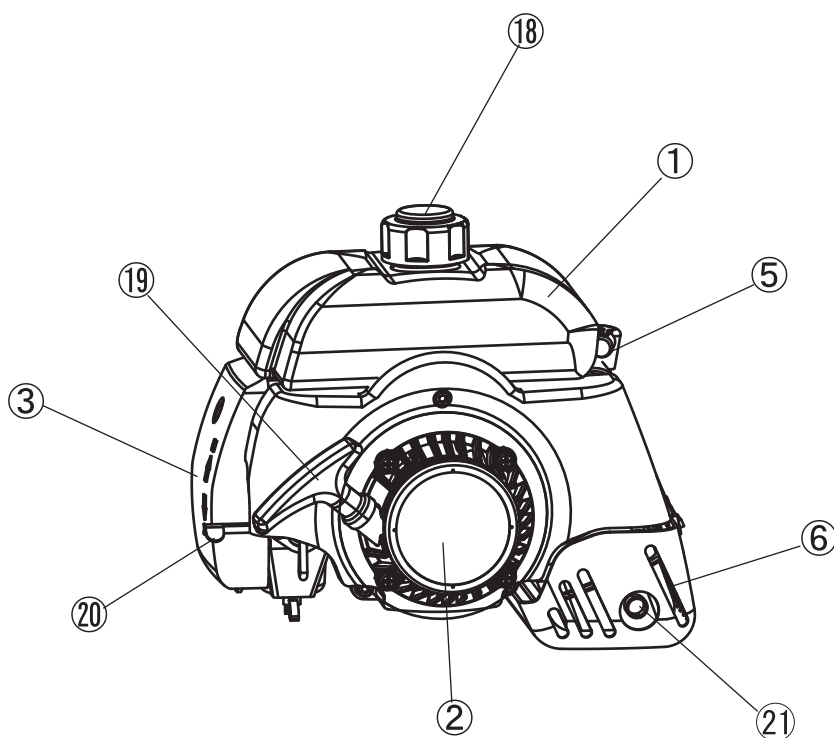
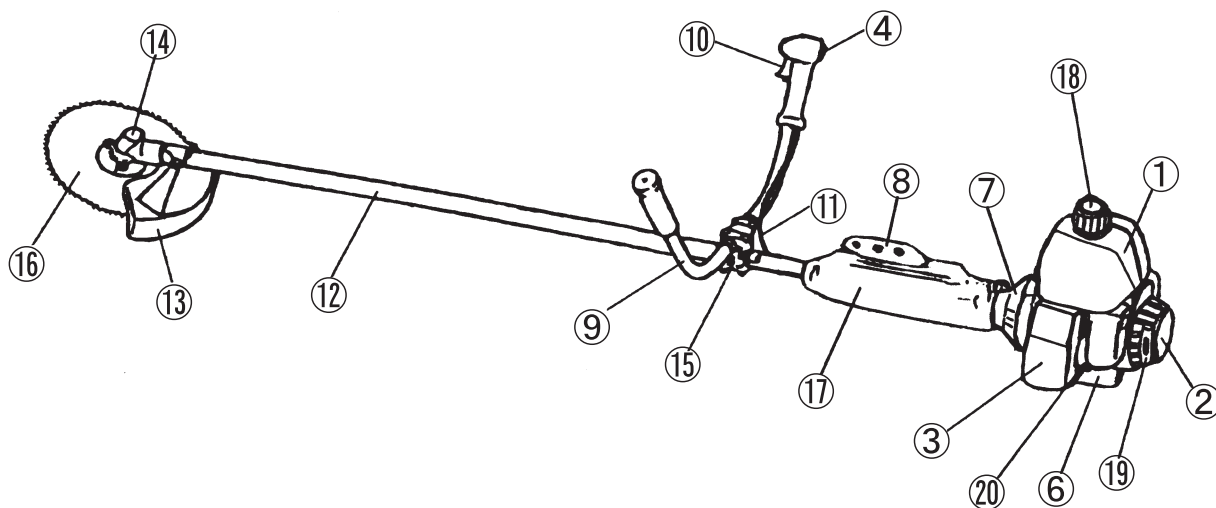


Dados técnicos

Modelo	RBC411	
	Punho em U	
Dimensões: comprimento x largura x altura (sem o disco de corte)	mm	1.705 x 620 x 435 (67 x 24 x 17 pol)
Massa (sem a proteção plástica e o disco de corte)	kg	7,3 (16,1 lb)
Volume (tanque de combustível)	L	1,1
Deslocamento do motor	cc	40,2
Desempenho máximo do motor	HP	1,97 a 7.000/min.
Velocidade do motor na velocidade máxima recomendada do eixo	/min	8.500
Velocidade máxima do eixo (correspondente)	/min	6.800
Consumo de combustível	kg/h	0,98 (32,8 oz/h)
Consumo específico de combustível	g/HPh	846 (29,9 oz/kwh)
Velocidade em marcha lenta	/min	2.600
Velocidade de acoplamento da embreagem	/min	3.600
Carburador (bóia - carburador)	tipo	MIKUNI VM
Sistema de ignição	tipo	Ignição de estado sólido
Vela de ignição	tipo	NGK BPM7A
Separação entre os eletrodos	mm	0,6 - 0,7
Proporção de mistura (combustível: óleo para motores a 2 tempos da MAKITA)		25 : 1
Relação de transmissão		13/19

1) Os dados levam igualmente em conta modos de operação de velocidade do acelerador todo aberto ou marcha lenta e rápida.

Designação de peças



GB	Designação de peças
1	Tanque de combustível
2	Rebobinador
3	Filtro de ar
4	Botão I-O (liga/desliga)
5	Vela de ignição
6	Silenciador de escape
7	Caixa de embreagem
8	Suspensão
9	Empunhadura
10	Acelerador
11	Fio do acelerador
12	Eixo
13	Protetor
14	Caixa de engrenagens
15	Suporte do punho
16	Disco do cortador
17	Almofada de cintura
18	Tampa do enchimento de combustível
19	Botão de arranque
20	Alavanca do afogador
21	Cano de escape

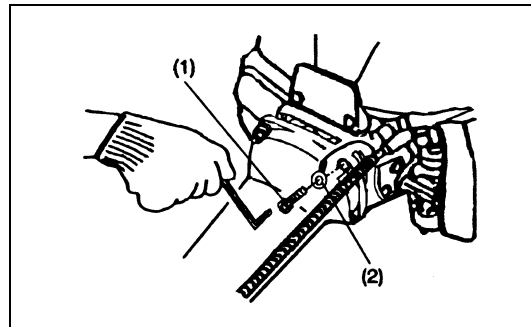
Montagem do motor e eixo

ATENÇÃO: Antes de executar qualquer trabalho com o cortador de mato, desligue sempre o motor e puxe o conector da vela de ignição para fora da mesma.
Use sempre luvas protetoras.



ATENÇÃO: Dê início ao cortador de mato somente depois de completar sua montagem.

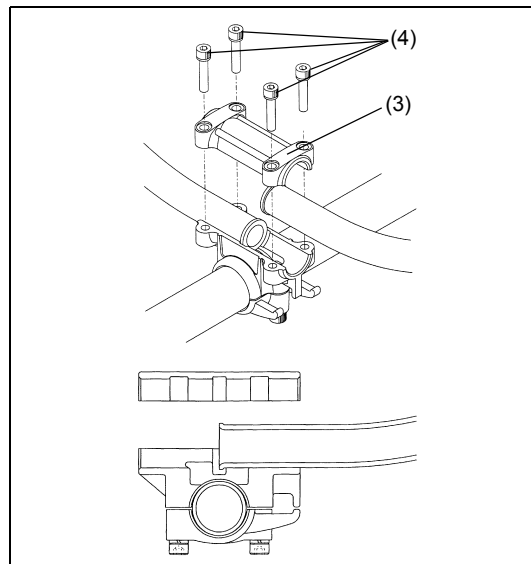
- Depois de verificar as peças, aperte o eixo de acionamento no motor com os quatro parafusos M6 x 22(1). Neste momento, fixe também o borne de terra (2) do cabo de parada ao motor.



Montagem do punho

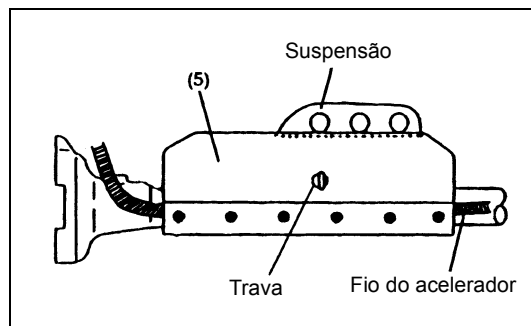


- Coloque o punho com o acelerador no suporte do punho na lateral direita (a ser seguro pela mão direita) e o outro na lateral esquerda.
- Encaixe a extremidade do punho na ranhura do suporte do punho e fixe provisoriamente o lado superior (3) do suporte do punho com os quatro parafusos M5 x 25 (4).
- Ajuste o punho para um ângulo fácil de manipular e aperte o parafuso (4) uniformemente nas laterais direita e esquerda.



- Monte a almofada de cintura (5). Quando a almofada de cintura for montada, certifique-se de confirmar que os fios não se movem horizontalmente.
- Evite qualquer tendência do fio do acelerador de dar volta na barra do punho.

A finalidade da trava é evitar que o motor entre em rotação relativa ao eixo de acionamento enquanto estiver operando o arranque ou transportando o equipamento de um local a outro. A trava deve estar destravada enquanto a unidade estiver sendo usada.



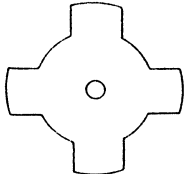
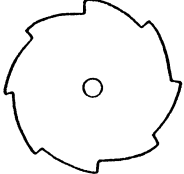
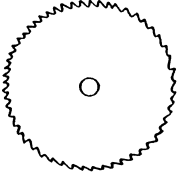
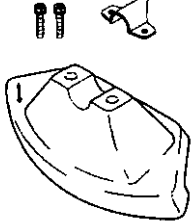
Montagem do protetor

Para atender às provisões de segurança aplicáveis, somente as combinações da ferramenta/protetor conforme indicadas na tabela podem ser usadas.



Certifique-se de utilizar o disco do cortador MAKITA ou cabeçote de corte de náilon.

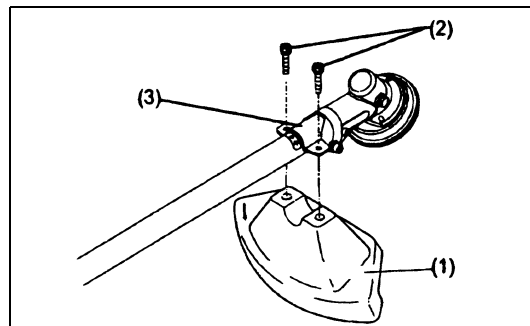
- O disco do cortador deve estar bem polido, sem rachaduras ou quebrados.
- Se o disco do cortador bater contra uma pedra durante a operação, pare o motor e verifique imediatamente o disco.
- Faça o polimento ou substitua o disco do cortador a cada três horas de operação.
- O diâmetro externo do disco do cortador deve ser de 255 mm (10-1/32 pol). Nunca utilize discos que passem de 255 mm (10-1/32 pol) no diâmetro externo.

Disco em estrela	Disco tipo redemoinho	Discos de corte	Protetor para disco metálico
			
PEÇA Nº. 6418501400	PEÇA Nº. 6418501900	PEÇA Nº. 6418501600	PEÇA Nº. 6418026000

ATENÇÃO: O protetor apropriado deve estar sempre instalado para sua própria segurança e para cumprir com os regulamentos de prevenção de acidentes. A operação do equipamento sem o protetor no lugar não é permitida.

- Fixe o protetor (1) (3) à braçadeira (3) com dois parafusos M6 x 30 (2).

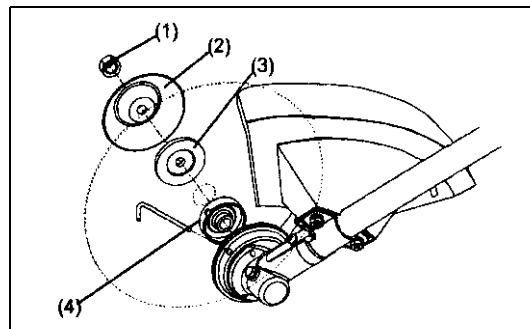
NOTA: Aperte os parafusos da direita e da esquerda para que o intervalo entre a braçadeira (3) e o protetor (1) seja constante.
Do contrário, o protetor pode não funcionar conforme especificado.



Montagem do disco do cortador



- Insira a chave hexagonal através do orifício na caixa de engrenagens e rode a arruela de recepção (4) até que seja travado com a chave hexagonal.
- Afrouxe a porca (1) (rosca do lado esquerdo) com uma chave de encaixe e remova a porca (1), copo (2) e arruela da braçadeira (3).



Montagem do disco do cortador

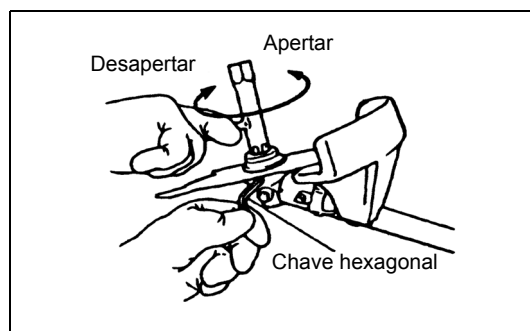
Com a chave hexagonal ainda no lugar.

- Monte o disco do cortador no eixo de forma que a guia da arruela de recepção (4) se encaixe no orifício do eixo no disco do cortador. Instale a arruela da braçadeira (3), copo (2) e firme o disco do cortador com a porca (1). [Torque de aperto 13 - 23 N•m]

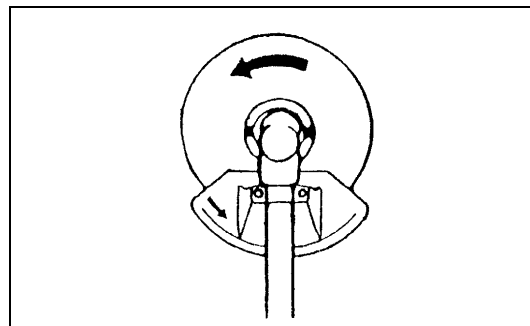
NOTA: Use luvas sempre que manusear o disco do cortador.

NOTA: A porca de aperto do disco do cortador (com mola de disco em cone) é uma peça consumível.

Se aparecer qualquer desgaste ou deformação na arruela de pressão de disco em cone, substitua a porca.



Verifique se o disco está posicionado de forma que o giro para a esquerda está voltado para cima.





Manuseio de produtos de petróleo

É necessário o maior cuidado quando manusear combustível. Combustíveis podem conter substâncias semelhantes a solventes. Reabasteça em uma área bem ventilada ou ao ar livre. Não inale vapores de combustíveis, evite qualquer contato do combustível ou óleo com a sua pele.

Produtos de óleo mineral desengorduram a sua pele. Se a sua pele entrar em contato com essas substâncias repetidamente e por um longo período de tempo, isso pode resultar em várias doenças de pele. Além disso, podem ocorrer reações alérgicas. Os olhos podem ficar irritados pelo contato com óleo, combustível, etc.

Se o óleo entrar em contato com seus olhos, lave-os imediatamente com água limpa.

Se seus olhos estiverem ainda irritados, consulte um médico imediatamente.



Observe as instruções de segurança na página 4!

Mistura de combustível e óleo

O motor do cortador de mato é um motor de dois tempos e alta eficiência. Ele funciona com uma mistura de combustível e óleo de motor de dois tempos. O motor é projetado para usar combustível comum sem chumbo com um mínimo de valor de octana de 91 RON. Se tal combustível não estiver disponível, é possível usar combustível com um valor de octana mais alto. Isto não afetará o motor, mas pode causar um fraco comportamento operacional. Uma situação semelhante surgirá do uso de combustível com chumbo. Para obter um desempenho ótimo do motor e para proteger sua saúde e o ambiente, somente combustível sem chumbo deve ser utilizado!

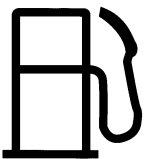
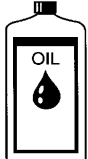
Para a lubrificação do motor utilize um óleo de motor de dois tempos (grau de qualidade: TC-3), o qual é adicionado ao combustível. O motor foi projetado para utilizar óleo de motor de dois tempos da MAKITA com uma proporção de mistura de 25:1 para proteger o ambiente. Além disso, uma longa vida útil e operação confiável com um mínimo de emissão de gases de escape estão asseguradas. É absolutamente essencial cumprir com uma proporção de mistura 25:1 do óleo de motor de dois tempos da MAKITA. Caso contrário, não se pode garantir a função confiável do cortador de mato.



A correta proporção de mistura:

Misture 25 partes de gasolina com 1 parte de óleo de motor de 2 tempos MAKITA (veja a tabela à direita).

NOTA: Para a preparação das mistura de óleo-combustível primeiro misture toda a quantidade de óleo com metade do combustível necessário em uma lata aprovada, que atenda ou exceda as normas locais, em seguida adicione o combustível restante. Sacuda bem a mistura antes de encher o tanque do cortador de mato. Não é prudente adicionar mais óleo de motor do que o especificado para assegurar a operação segura. Isto resultará somente em uma produção mais alta de resíduos de combustão, o que poluirá o ambiente e obstruirá o canal de escape no cilindro, as velas de ignição, assim como o silencioso. Além disso, o consumo de combustível irá aumentar e o desempenho será reduzido.

Gasolina (sem chumbo premium)	+	25:1 OIL
		
1.000 cc (1L)		40 cc
5.000 cc (5L)		200 cc
10.000 cc (10L)		400 cc

Reabastecimento

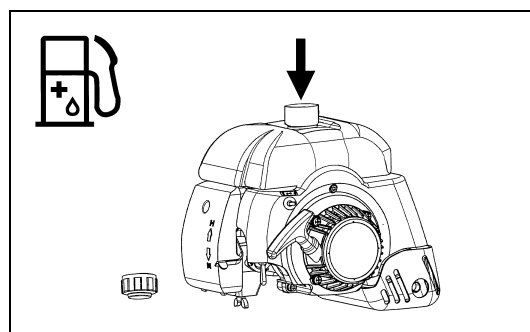
Nunca reabasteça em áreas fechadas e sem ventilação.

O motor deve ser desligado.

- Limpe criteriosamente a área em torno da tampa do tanque para evitar que a sujeira entre no tanque de combustível.
- Desparafuse a tampa de combustível e preencha o tanque com o combustível.
- Nunca enche o tanque do tanque até muito em cima.
- Parafuse com segurança a tampa do tanque.
- Limpe o bujão rosqueado e o tanque com um absorvente depois do abastecimento!
Deixe os panos secarem e descarte-os em um recipiente apropriado.

Armazenamento de combustível

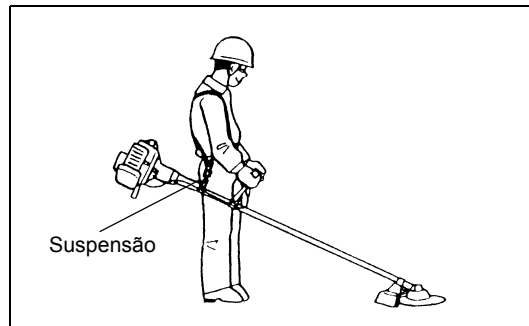
O combustível não pode ser armazenado por um período de tempo ilimitado. Compre somente a quantidade necessária para um período operacional de 4 semanas. Utilize somente recipientes aprovados para armazenagem de combustível.



Correto manuseio da máquina

Fixação da alça de ombro

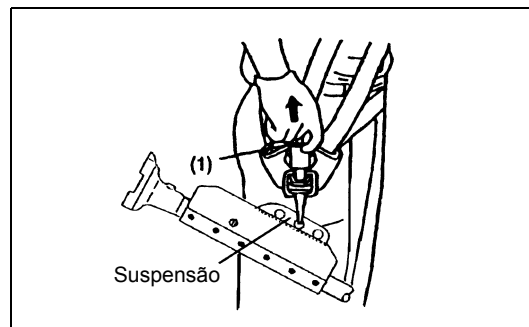
- Ajuste o comprimento da alça para que o cortador de mato seja mantido em paralelo ao chão.



Remoção

- Em caso de emergência, remova a alavanca de remoção de emergência (1) puxando-a com força com um dedo. O umbral da máquina se destaca do corpo. Tenha extremo cuidado para manter controle da máquina neste momento. Não permita que a máquina se desvie para você ou alguém nas proximidades do trabalho.

AVISO: A falha em manter controle total da máquina pode resultar em graves ferimentos ou MORTE.



Colocação em funcionamento

Cumpra os regulamentos aplicáveis de prevenção de acidentes!

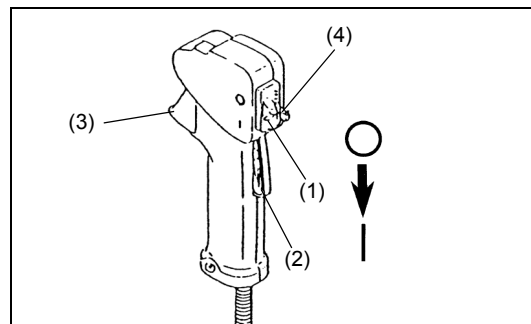



Iniciar

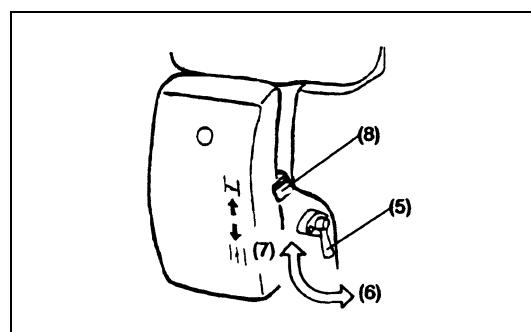
Mova-se para no mínimo 3 metros (10 pés) de distância do local de abastecimento. Coloque o cortador de mato em uma parte limpa do chão, tomando cuidado para que a ferramenta de corte não entre em contato com o chão ou outros objetos.

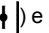
Início frio

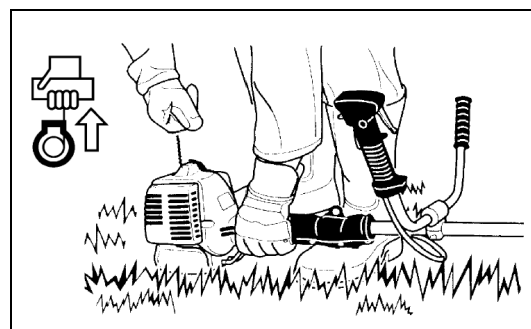
- Empurre o botão I-O (1) na direção mostrada pela seta.
- Agarre o punho (a pressão da mão ativa a alavanca de trava de segurança (2)).
- Pressione o acelerador (3) e mantenha-o pressionado.
- Pressione o botão de trava (4) e libere a alavanca de controle, em seguida libere o botão de trava (o botão de trava segura o acelerador na posição de inicialização).



- Primeiro coloque a máquina no chão.
- Abra a válvula do combustível. A válvula se abre quando a alavanca (5) estiver nos ângulos corretos ao chão (6). A válvula se fecha quando a alavanca estiver paralela com o chão (7).
- Mova a alavanca do afogador (8) para a posição superior ().



- Segure com firmeza a caixa de embreagem com a mão esquerda, conforme ilustrado.
- Puxe lentamente a pega de ignição até que seja sentida resistência e continue com uma puxada prudente.
- Não puxe a corda de ignição para sua extensão máxima e não permita que o punho de ignição seja retraído sem controle, mas de ser retraído lentamente.
- Repita a operação de inicialização até que as ignições iniciais sejam ouvidas.
- Pressione a alavanca do afogador () e puxe a corda de ignição novamente até dar início ao motor.
- Assim que o motor iniciar, dê uma batida imediatamente e solte o acelerador, liberando assim a trava de meia potência do acelerador para que o motor possa funcionar em marcha lenta.
- Deixe o motor funcionar por aproximadamente um minuto a uma velocidade moderada antes de aplicar potência máxima.



Cuidado durante a operação:

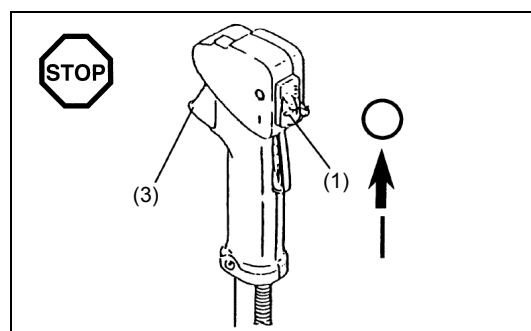
Se o acelerador estiver aberto por completo em uma operação sem carga total, a rotação do motor é aumentada para 10.000 /min ou mais. Nunca opere o motor a uma velocidade mais alta que o necessário e a uma velocidade aproximada de 6.000 - 8.000 /min.

Início do aquecimento do motor

- Conforme descrito acima, exceto sem mover a alavanca do afogador (a alavanca do afogador permanece na posição para baixo).

Parada

- Solte totalmente a alavanca de controle (3) e quando a velocidade do motor for reduzida, empurre o botão I-O (1) para a posição "O" e o motor irá parar agora.

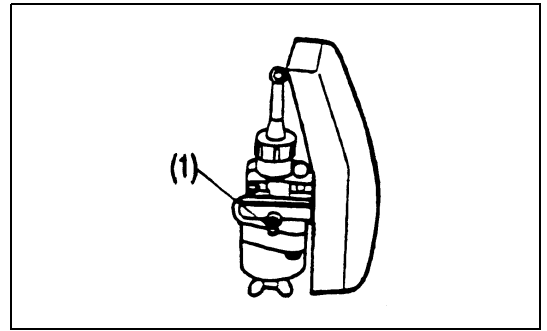


AJUSTE DE MARCHA LENTA

O cortador de mato ou o cabeçote de corte de náilon não deve estar em funcionamento quando a alavanca de controle for liberada totalmente. Se necessário, ajuste a rpm de marcha lenta usando um parafuso de ajuste de inércia.

Verificando a velocidade em marcha lenta

- A velocidade em marcha lenta deve ser definida em 2.600 /min. Se necessário, corrija isso através do parafuso de ajuste de inércia (o disco ou o cabeçote de corte de náilon não deve virar quando o motor está em marcha lenta). Apertar o parafuso (1) causará um aumento na velocidade do motor, considerando que recuar o parafuso reduzirá a velocidade do motor.



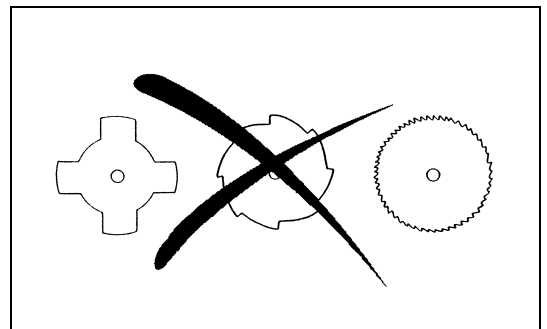
Afição da ferramenta de corte

ATENÇÃO: As ferramentas de corte mencionadas abaixo devem ser afiadas por um centro autorizado. A afiação manual resultará em desequilíbrios da ferramenta de corte, causando vibrações e danos ao equipamento.

- disco do cortador (disco em estrela de 4 dentes, disco tipo redemoinho de 8 dentes, disco tipo serrote):

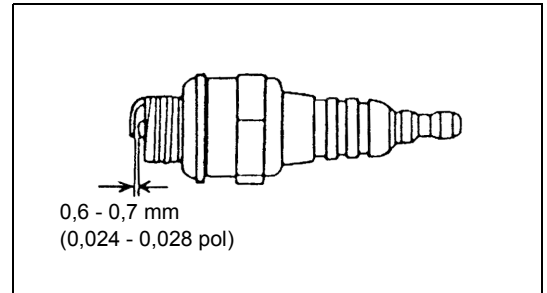
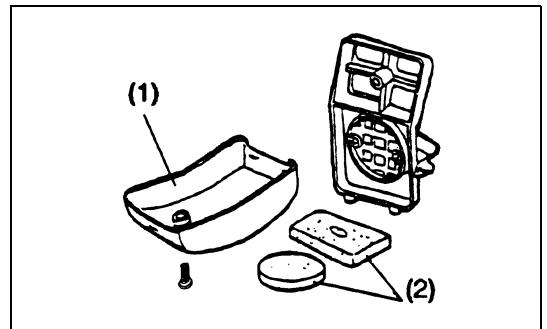
Um serviço especializado em afiação e balanceamento é fornecido pelos representantes de assistência técnica autorizado.

NOTA: Para aumentar a vida útil do disco do cortador (disco em estrela, disco tipo redemoinho, disco tipo serrote), ele pode ser virado ao contrário uma vez, até que ambas as extremidades de corte fiquem cegas.

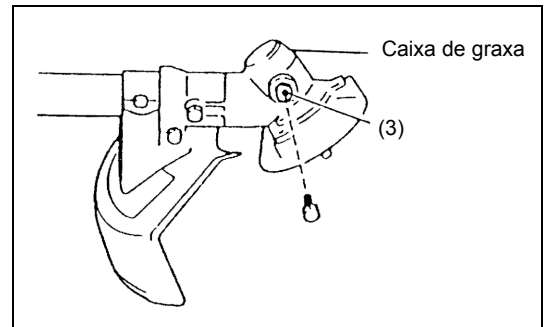


Programação de manutenção

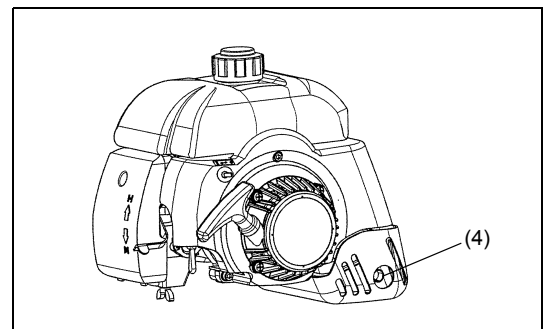
1. Antes da operação, preste atenção especial a quanto está apertado o disco do cortador ou cabeçote de corte de náilon.
Verifique os parafusos e porcas e aperte-os mais se necessário: A cada 8 horas (diariamente)
2. Verifique a obstrução da passagem de ar refrigerado e as aletas do cilindro.
Limpe-as se necessário: A cada 8 horas (diariamente)
3. Limpeza do filtro de ar: A cada 8 horas (diariamente)
 - 1) Remova a tampa do filtro de ar (1) e limpe a esponja (2).
Se houver poeira ou sujeira excessiva aderindo ao filtro, limpe-o.
Um filtro de ar obstruído pode dificultar ou impossibilitar o início do motor ou aumentar a velocidade de rotação do motor.
 - 2) Instale a esponja em torno das nervuras da caixa do filtro de ar.
4. Verificação da vela de ignição: A cada 8 horas (diariamente)
O intervalo entre os dois eletrodos da vela de ignição deve ser de 0,6 a 0,7 mm (0,024 pol a 0,028 pol).
Se o intervalo for muito amplo ou muito estreito, ajuste-o.
Se a vela de ignição estiver obstruída com carbono ou suja, limpe-a bem ou faça a sua substituição.



5. Fornecimento de graxa à caixa de engrenagens.
Aplique graxa (SHELL ALVANIA n.º.3 ou equivalente) à caixa de engrenagens através do orifício de colocação de graxa (3) a cada 30 horas.
(Graxa genuína MAKITA pode ser comprada de um representante MAKITA.)



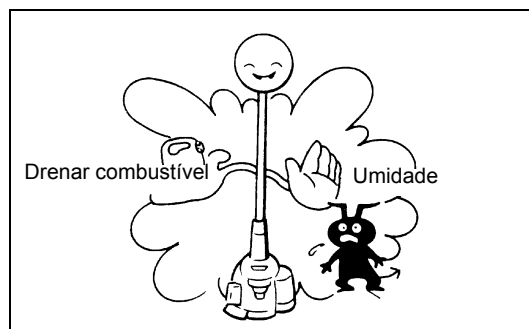
6. Limpeza da porta do escape do silencioso: A cada 50 horas (mensalmente)
Se a porta de escape (4) estiver obstruída com carbono, remova a porta friccionando ou dando ligeiras batidas com uma chave de fenda ou algo similar.
7. Verificação do filtro de combustível. Se estiver entupido, limpe o filtro.
8. Substitua os tubos de combustível: A cada 200 horas (anualmente)
9. Revisão total do motor: A cada 200 horas (anualmente)
10. Substitua os engaxetamentos e vedações por novos: Cada vez que o motor for remontado.



Geral	Montagem do motor, parafusos e porcas	Inspeção visual quanto a danos e nível de aperto Verificação da condição geral e segurança
Após cada reabastecimento	Acelerador Chave da trava de segurança Botão ON/OFF (liga/desliga)	Verificação funcional Verificação funcional Verificação funcional
Diariamente	Esponja (filtro de ar) Duto de ar para refrigeração Disco de corte Velocidade em marcha lenta	A ser limpo A ser limpo Verificação de danos e afiação Inspeção (ferramenta de corte não deve se mover)
Semanalmente	Vela de ignição Silencioso	Inspeção, substituição se necessário Verificação e, se necessário, limpeza da abertura
A cada três meses	Cabeçote de sucção (filtro dos tubos de gás) Tanque de combustível	A ser substituído A ser limpo
Procedimento de desligamento	Tanque de combustível Carburador	Tanque de combustível vazio Operar até que o motor fique sem combustível

Armazenamento

- Quando a máquina for armazenada por muito tempo, drene o combustível do tanque e carburador, conforme a seguir: Drene todo o combustível do tanque. Descarte adequadamente e de acordo com as leis locais.
- Remova a vela de ignição e coloque algumas gotas de óleo no orifício da vela de ignição. Em seguida, puxe gentilmente a ignição para que o óleo cubra o motor por dentro e aperte a vela de ignição.
- Limpe a sujeira ou poeira do disco do cortador e o exterior do motor, limpando-os com pano submerso em óleo, e coloque a máquina para secar o máximo possível.



Localização de falha

Falha	Sistema	Observação	Causa
O motor não inicia ou está com dificuldades	Sistema de ignição	Fagulha de ignição OK	Falha no suprimento de combustível ou sistema de compressão, defeito mecânico
		Nenhuma fagulha de ignição	Botão I-O operado, falha na fiação ou curto-circuito, vela de ignição ou conector com defeito, falha do módulo de ignição
	Suprimento de combustível	Tanque de combustível cheio	Posição incorreta do afogador, carburador defeituosos, tubo de suprimento de combustível torto ou bloqueado, combustível sujo.
	Compressão	Nenhuma compressão ao manobrar	Vedação inferior do cilindro defeituosa, vedações danificadas do eixo de manivelas, anéis de cilindro ou pistão defeituosos ou vedação imprópria da vela de ignição
Falha mecânica		Ignição não se engajando	Mola de ignição quebrada, peças quebradas dentro do motor
		Existência de fagulha de ignição em tanque cheio	Carburador contaminado, deve ser limpo
Problemas de início com aquecimento			
O motor inicia mas morre imediatamente	Suprimento de combustível	Tanque cheio	Ajuste incorreto de marcha lenta, carburador contaminado Ventilação defeituosa do tanque de combustível, tubo de suprimento de combustível interrompido, falha do cabo ou botão I-O
Desempenho insuficiente	Vários sistemas podem ser afetados simultaneamente	Marcha lenta do motor ruim	Filtro de ar contaminado, carburador contaminado, silencioso entupido, duto de escape no cilindro entupido

Muchas gracias por seleccionar la desbrozadora de MAKITA. Nos complace poder ofrecerle la desbrozadora de MAKITA la cual es el resultado de un gran programa de desarrollo y de muchos años de conocimiento y experiencia. Favor de leer, entender y seguir este folleto el cual refiere en detalle los varios puntos que se demostrarán sobre su sobresaliente desempeño. Esto le ayudará a obtener un óptimo resultado de su desbrozadora de MAKITA.



Índice	Página
Símbolos	34
Instrucciones de seguridad	35-38
Información técnica	39
Identificación de las piezas	40
Ensamblado del motor y astil	41
Colocación del mango.....	41
Colocación del protector	42
Colocación del disco cortador	43
Combustible / reabastecimiento.....	44
Manejo correcto del equipo.....	45
Activación del equipo	46
Reafilado de la pieza de corte.....	47
Programa de mantenimiento.....	48
Almacenamiento	49

Símbolos

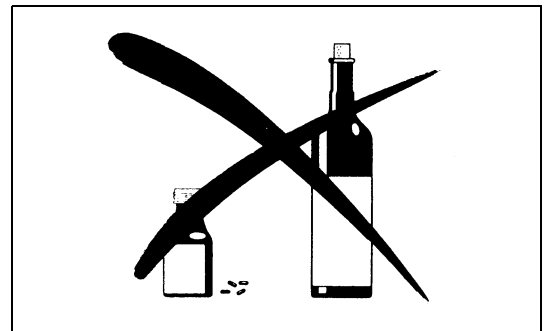
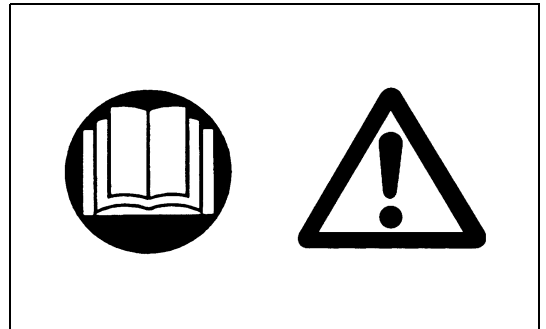
Durante la consulta de este manual observará los siguientes símbolos

	Lea el manual de instrucciones		Conserve el área de operación despejada de personas y mascotas
	Tenga especial cuidado y atención		Use casco protector, así como protección ocular y auditiva
	Prohibido		Velocidad máxima permitida de la herramienta
	Mantenga la distancia		Mezcla de combustible y aceite
	Peligro de objeto volador		Encendido manual del motor
	No fumar		Paro de emergencia
	No exponer a fuego		Primeros auxilios
	Se deben usar guantes protectores		Reciclado
	Use botas resistentes con suelas antiderrapantes. Se recomiendan botas con seguridad de puntas de acero.		ENCENDIDO/INICIAR
	Retroceso brusco		APAGADO/PARAR

Instrucciones de seguridad

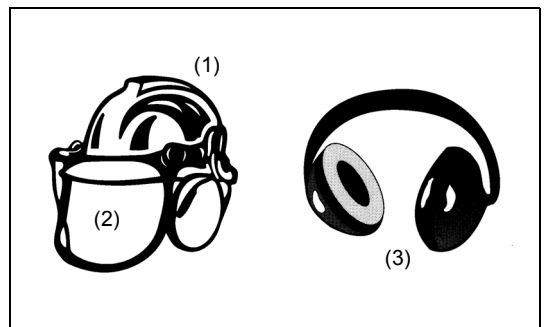
Instrucciones generales

- Para asegurar una operación segura y adecuada, el usuario debe leer, aprender y seguir este manual de instrucciones para garantizar su familiaridad con el manejo de la desbrozadora. Los usuarios sin suficiente conocimiento se arriesgarán así mismos y a otras personas poniéndose en una situación de peligro debido a un manejo inadecuado.
- Se recomienda sólo prestar la desbrozadora a personas que cuentan con experiencia demostrada en su manejo. Siempre incluya el manual al prestar la desbrozadora.
- Los usuarios primerizos deberán solicitar instrucciones básicas en el manejo con su distribuidor para familiarizarse con el manejo de una cortadora motorizada.
- No se debe permitir a los niños ni a las personas menores de 18 años usar la desbrozadora. Sin embargo, las personas mayores de 16 años podrán usar la herramienta con fines de entrenamiento y sólo bajo la supervisión de un instructor calificado.
- Use desbrozadoras con el máximo cuidado y atención.
- Use la desbrozadora sólo si se encuentra en buena condición física. Realice todo el trabajo concienzuda y cuidadosamente. El usuario tiene que aceptar la responsabilidad por los demás.
- Nunca use la desbrozadora bajo los efectos del alcohol o las drogas.
- No use la herramienta cuando esté cansado.
- **Conserve estas instrucciones para futuras consultas.**



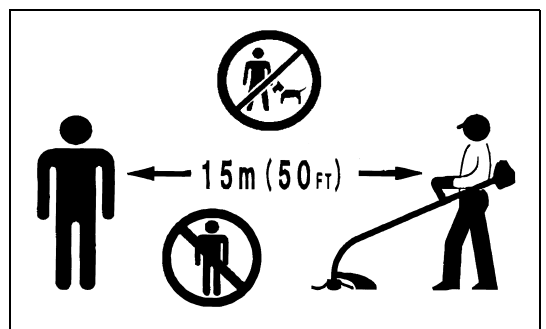
Equipo protector personal

- La vestimenta a ser usada debe ser funcional y adecuada, es decir, debe quedar ajustada pero sin que ocasione un estorbo. Evite el uso de joyas, ropas holgadas y cabello suelto el cual deberá llevar recogido con broches o ligas.
- Para evitar lesiones en la cabeza, ojos, manos o pies, así como para proteger su audición, se requiere el uso del siguiente equipo protector y prendas protectoras durante la operación de la desbrozadora.
- Siempre use casco al trabajar entre los árboles. El casco protector (1) debe ser revisado durante intervalos periódicos para ver si tiene daños y debe reemplazarse al menos una vez cada cinco años. Use sólo cascos protectores aprobados.
- El visor (2) del casco (o gafas protectoras aprobadas) protege la cara del arrojamiento de palos, piedras y otros objetos. Durante la operación de la desbrozadora use siempre gafas protectoras o visor para evitar lesiones en los ojos.
- Use equipo adecuado de protección auditiva para evitar daño auditivo (orejeras (3), tapones para los oídos, etc.), especialmente durante periodos prolongados de uso.
- Los overoles de trabajo (4) ofrecen protección contra el arrojamiento de piedras y astillas. Recomendamos firmemente que el operador use overol de trabajo.
- Los guantes especiales (5) hechos de piel gruesa forman parte del equipo prescrito y deben usarse siempre durante el uso de la desbrozadora.
- Al usar la desbrozadora, use siempre calzado protector (6) con suela antiderrapante. Esto le protegerá de lesiones y asegura pisar firmemente.

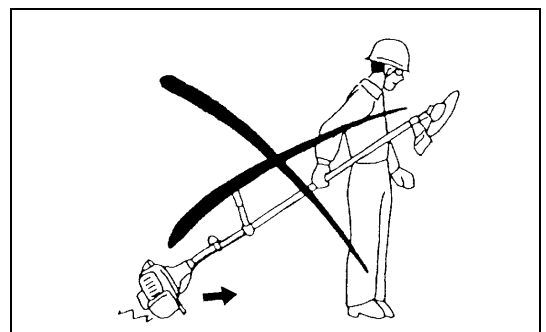
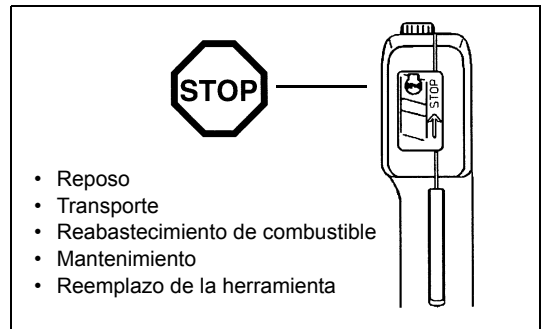
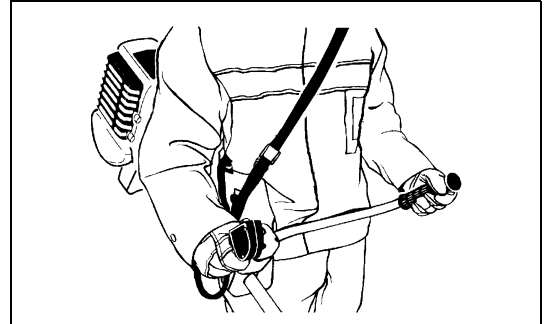
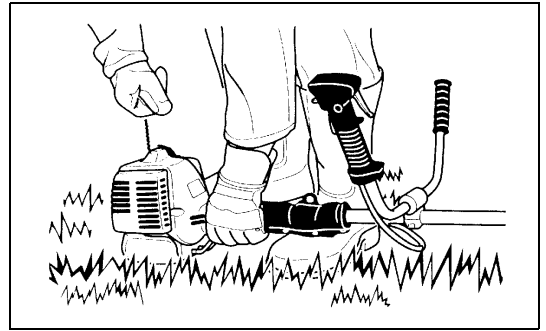


Arranque de la desbrozadora

- Asegúrese de que no haya niños ni otras personas en un rango de 15 metros, y también ponga atención de que no haya animales alrededor del área de trabajo.
- Antes de usar la desbrozadora, siempre revísela para una operación segura: Revise la seguridad del disco cortador. Asegúrese de que la tuerca de instalación del disco esté atornillada con firmeza. La palanca de aceleración deberá revisarse para un accionamiento suave y sencillo. Revise un funcionamiento apropiado del seguro de la palanca de aceleración. El disco cortador no debe girar durante un estado pasivo. Consulte las instrucciones sobre el ajuste en estado pasivo en la página 47. Revise que los mangos estén limpios y secos, y pruebe el funcionamiento del interruptor de encendido y apagado ("ON-OFF"). Conserve los mangos libres de aceite y combustible.

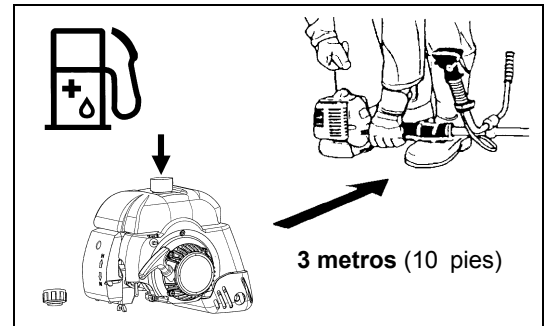
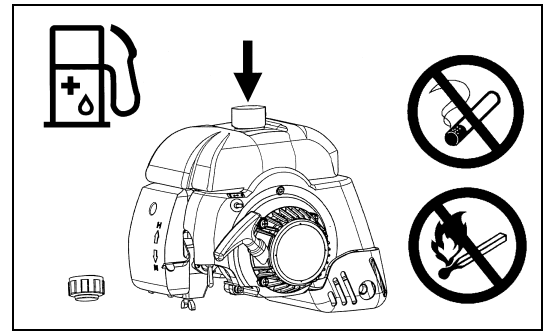


- Active la desbrozadora sólo como se describe en las instrucciones. ¡No utilice ningún otro método para arrancar el motor!
- Use la desbrozadora y las herramientas sólo para las aplicaciones para las que fueron diseñadas.
- Arranque el motor de la desbrozadora sólo tras haber realizado el ensamble completo del equipo. ¡El uso del equipo sólo se permite tras haber colocado todos los accesorios adecuados!
- Antes de arrancar el motor asegúrese que la pieza cortadora no esté haciendo contacto con objetos duros como ramas, piedras, etc. ya que esto podría ocasionar rotación de la herramienta al iniciarse.
- El motor debe apagarse de inmediato en caso de cualquier problema con el mismo.
- En caso de que la herramienta golpee piedras u otros objetos duros, apague el motor de inmediato y haga una inspección de la pieza cortadora.
- Inspeccione la pieza cortadora durante intervalos periódicos frecuentes para revisar si hay daños (finos agrietamientos que pueden identificarse mediante el sonido tras golpeteos).
- Use la desbrozadora sólo con la correa de hombro colocada la cual debe ajustarse antes de activar la herramienta. Es esencial ajustar la correa de hombro de acuerdo al tamaño del usuario para prevenir el cansancio durante la operación. Nunca sostenga la desbrozadora con una mano durante la operación.
- Sostenga siempre con ambas manos la desbrozadora durante la operación. Siempre asegúrese de pisar firmemente.
- Use la desbrozadora de tal forma que evite la inhalación de los gases de escape. Nunca active el motor en lugares cerrados (riesgo de intoxicación). El monóxido de carbono es un gas inoloro.
- Apague el motor al estar en reposo y al no tener su atención sobre la desbrozadora, y colóquela en un lugar seguro para prevenir peligros para otras personas y para el equipo en sí.
- Nunca coloque la desbrozadora cuando esté caliente sobre el césped ni sobre materiales inflamables.
- La pieza cortadora está equipada con su protector apropiado. ¡Nunca active la desbrozadora sin este protector!
- Todos los accesorios protectores suministrados con el equipo deben ser utilizados durante la operación del equipo.
- Nunca accione el motor con un mofle de escape defectuoso.
- Apague el motor mientras desplaza la herramienta de un lugar a otro.
- Durante un transporte de la herramienta por grandes distancias, se deberá usar siempre la protección incluida con el equipo.
- Asegure una posición segura de la desbrozadora durante su traslado con un vehículo para evitar fugas del combustible.
- Al hacer un envío de la desbrozadora, asegúrese de que el tanque de combustible esté vacío.
- Al descargar la desbrozadora del vehículo, nunca deje caer el motor al suelo ya que podría dañarse el tanque de combustible severamente.
- Salvo en caso de emergencia, nunca deje caer ni arroje la desbrozadora al suelo ya que podría dañarse severamente.
- Recuerde levantar el equipo por completo del suelo al moverlo de lugar. Arrastrar el tanque de combustible es altamente peligroso y puede causar daños y fuga de combustible, y posiblemente un incendio.



Reabastecimiento de combustible

- Apague el motor al estar reabasteciendo el combustible, así mismo manténgase alejado de llamas y evite fumar
- Evite el contacto de la piel con productos de aceite mineral. No inhale la emisión del combustible. Use siempre guantes protectores durante el reabastecimiento de combustible. Cambie y limpie la vestimenta protectora de forma periódica.
- Tenga la precaución de no derramar combustible ni aceite para prevenir la contaminación del suelo (protección ambiental). Limpie la desbrozadora de inmediato tras un derrame de combustible. Evite cualquier contacto del combustible con su vestimenta. Cambie su vestimenta de inmediato si se ha derramado combustible en ella (para evitar el riesgo de incendio).
- Inspeccione la tapa del depósito de combustible de forma periódica para asegurarse que quede bien sellada al cerrar.
- Apriete con cuidado y asegúrese de que no haya fugas de combustible desde la tapa del tanque. Cambie de lugar para arrancar el motor (al menos a 3 metros (10 pies) de donde reabasteció el combustible).
- Nunca reabastezca el combustible en lugares cerrados. Las emisiones pueden acumularse al nivel del suelo (generando un riesgo de explosión).
- Transporte y almacene el combustible solamente en contenedores diseñados para ello. Asegúrese de que el combustible almacenado no esté al alcance de los niños.



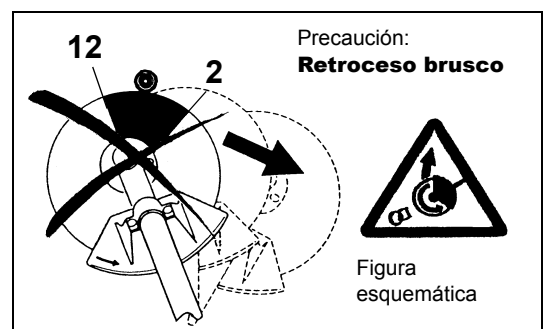
Método de operación

- Use la desbrozadora sólo en condiciones de buena iluminación y visibilidad. Durante la época invernal, tenga especial cuidado con las áreas resbalosas y mojadas, así como con el hielo y la nieve (riesgo de resbalones). Siempre asegúrese de pisar firmemente.
- No haga nunca cortes que le queden por encima de la altura del hombro.
- Nunca se coloque sobre una escalera para activar la desbrozadora.
- Nunca trepe los árboles para realizar operaciones de corte con la desbrozadora.
- No trabaje nunca sobre superficies inestables.
- Despeje el área quitando la arena, las piedras, los clavos, etc. que encuentre dentro del rango trabajo. Las partículas de materiales ajenos pueden dañar la herramienta cortador y causar retrocesos bruscos peligrosos.
- Tiene que permitir que la herramienta alcance velocidad completa antes de comenzar a cortar.



Retroceso brusco

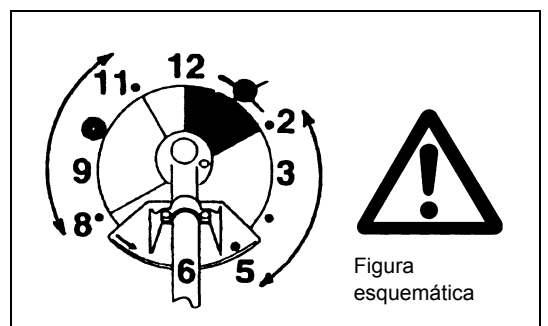
- Puede que se generen retrocesos bruscos al estar operando la desbrozadora.
- Esto sucede particularmente cuando se intenta coloca el disco cortador a un ángulo que en un reloj se ilustraría que quedaría entre las 12 y las 2 en punto.
- Nunca coloque la desbrozadora dentro de este ángulo.
- Nunca aplique este ángulo con el disco cortador en materiales gruesos como ramas y árboles entre otros, ya que al tener un diámetro mayor a los tres centímetros la desbrozadora se vería desviada por una gran fuerza, lo cual generaría un riesgo de lesiones.



Prevención de retrocesos bruscos

Para evitar retrocesos brusca, siga las siguientes indicaciones:

- La operación del disco cortador a un ángulo que un reloj se ilustraría como entre las 12 y 2 en punto presenta un peligro, especialmente al usar herramientas cortadoras de metal.
- Las operaciones de corte a un ángulo que en un reloj se mostraría entre las 11 y 12 en punto, o bien, entre las 2 y 5 en punto, deben realizarse sólo por un usuario experimentado y sólo bajo su propio riesgo. El corte sencillo casi sin un potencial de retrocesos bruscos se obtiene con un ángulo que en un reloj se ilustraría entre las 8 y 11 en punto.



Herramientas de corte

Utilice sólo la pieza de corte adecuada para el trabajo en cuestión.

Cabeza cortadora de nailon:

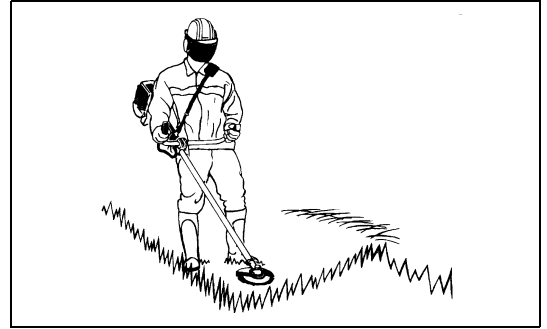
Diseñada exclusivamente para el corte a lo largo de pareces, cercas, bordes de césped, árboles, postes, etc. (complemento a la cortadora de césped). Realice esta labor de corte al oscilar la podadora de césped de forma uniforme en medio círculo de izquierda a derecha.

Disco cortador (disco estrella de 4 dientes / disco eddy de 8 dientes):

Para el corte de materiales gruesos, como maleza, césped alto, arbustos, matas, maleza, matorrales, etc. (con un máximo de 2 cm de diámetro). Realice este trabajo de corte al oscilar la podadora de forma uniforme en medio círculo de derecha a izquierda (similar al uso de una hoz o segadora).

Disco de sierra:

Utilice un disco de sierra al cortar follaje de bambú, árboles pequeños, pampas, etc. que se encuentren mezclados con maleza.



Instrucciones de mantenimiento

- La condición de la cortadora, en particular de la pieza de corte, de los dispositivos protectores y también de la correa de hombro deben revisarse antes de comenzar cualquier trabajo. Se requiere dar especial atención a los discos de corte los cuales deben estar afilados adecuadamente.
- Apague el motor y quite la bujía de encendido de su enchufe al reemplazar o afilar las herramientas de corte, al igual que al limpiar la desbrozadora o la pieza de corte.

Nunca trate de enderezar o doblar las piezas de corte dañadas.

- Opere la desbrozadora con el menor ruido y contaminación posibles. Revise en particular el correcto ajuste del carburador.
- Limpie la desbrozadora periódicamente y revise que todas las tuercas y tornillos estén bien apretados.
- Nunca dé servicio ni almacene la desbrozadora en cercanía de las llamas de algún fuego.
- Almacene siempre la desbrozadora en lugares bajo llave y con el tanque de combustible vacío.

Siga las indicaciones relevantes para la prevención de accidentes emitidas por las asociaciones comerciales competentes y compañías aseguradoras. No haga ninguna modificación sobre la desbrozadora puesto que esto pondría en riesgo su seguridad.

La realización de mantenimiento o reparación por el usuario se limita a aquellas actividades como aparecen descritas en el manual de instrucciones. Todo lo demás debe ser realizado por un agente de servicio autorizado. Utilice sólo piezas de repuesto y accesorios genuinos proporcionados por MAKITA.

El uso de accesorios y herramientas no aprobados implica un aumento del riesgo de accidentes y lesiones.

MAKITA no aceptará responsabilidad alguna por accidentes o daños causados por el uso de piezas de corte y aditamentos no aprobados.

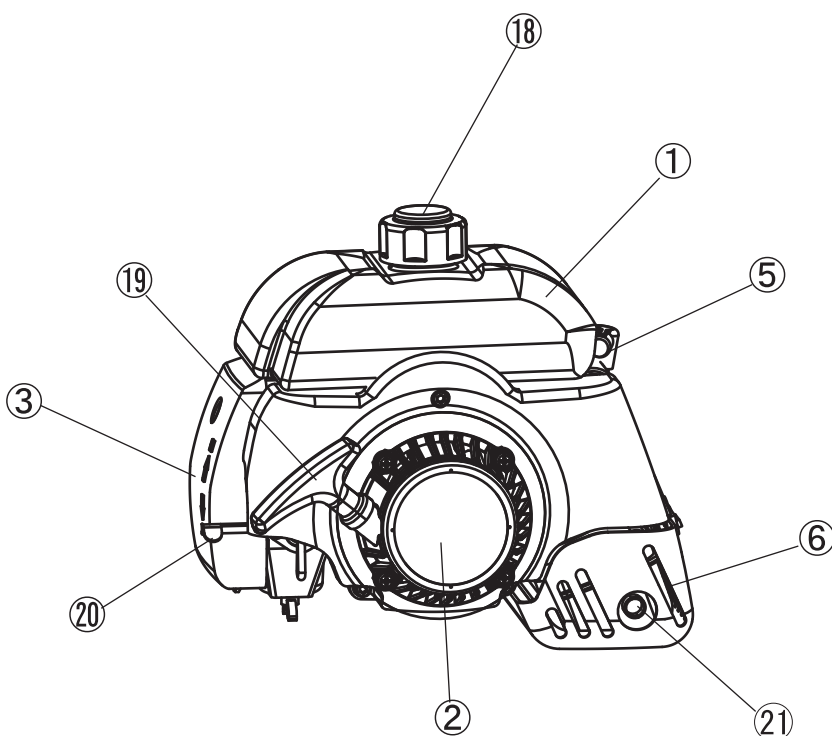
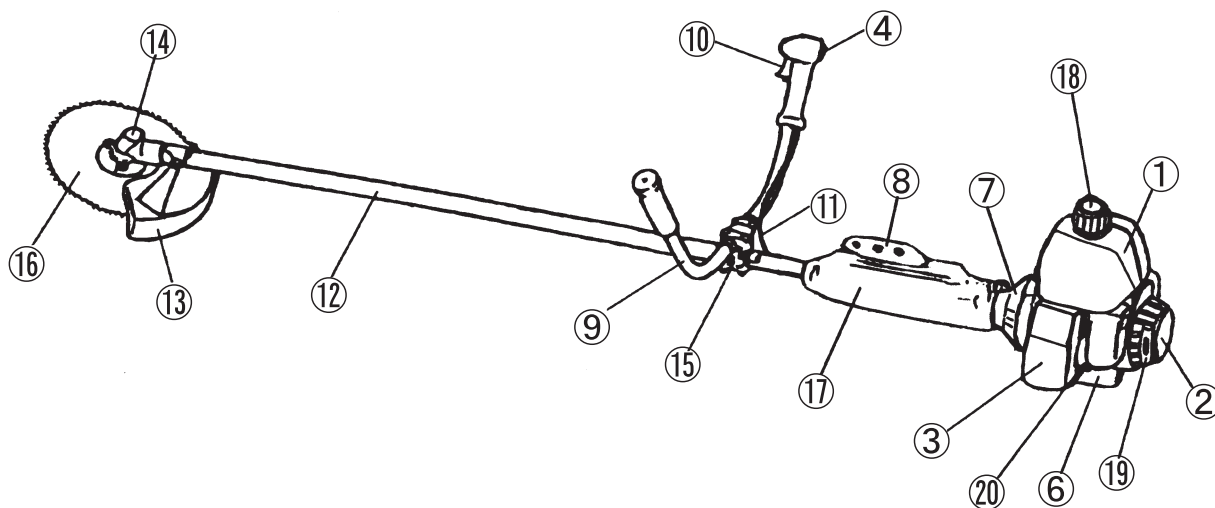


Información técnica

Modelo		RBC411
		Mango U
Dimensiones: longitud x amplitud x altura (sin disco cortador)	mm	1.705 x 620 x 435 (67" x 24" x 17")
Peso (sin protector plástico ni disco cortador)	kg	7,3 (16,1 lb)
Volumen (tanque de combustible)	L	1,1
Desplazamiento del motor	cc	40,2
Máximo desempeño del motor	HP (caballos de fuerza)	1,97 a 7.000 /min
Velocidad del motor a velocidad máxima recomendada del eje	/min.	8.500
Velocidad máxima del eje (correspondiente)	/min.	6.800
Consumo de combustible	kg/h	0,98 (32,8 oz/h)
Consumo específico de combustible	g/HPh	846 (29,9 oz/kwh)
Velocidad en estado pasivo	/min.	2.600
Velocidad con accionamiento del embrague	/min.	3.600
Carburador (flote - carburador)	tipo	MIKUNI VM
Sistema de encendido	tipo	Estado sólido de encendido
Bujía de encendido	tipo	NGK BPM7A
Separación de electrodos	mm	0,6 - 0,7
Proporción de la mezcla (combustible: aceite para motores MAKITA a dos tiempos)		25 : 1
Relación de cambios		13/19

1) Los datos toman en cuenta de forma igual las modalidades en estado pasivo y de ejecución o con la palanca de aceleración totalmente abierta.

Identificación de las piezas



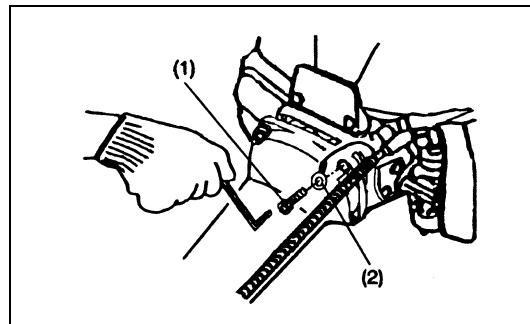
#	Identificación de las piezas
1	Tanque del combustible
2	Bobina del arrancador
3	Filtro de aire
4	Interruptor de encendido I-O ("on/off")
5	Bujía de encendido
6	Mofle de escape
7	Carcasa del embrague
8	Colgador
9	Mango
10	Palanca de aceleración
11	Cable de la palanca de aceleración
12	Astil
13	Protector
14	Caja de cambios
15	Sujetador del mango
16	Disco cortador
17	Almohadilla del talle
18	Tapa de abastecimiento de combustible
19	Perilla del arrancador
20	Palanca dosificadora
21	Tubo de escape

Ensamblado del motor y astil

PRECAUCIÓN: Antes de realizar cualquier servicio sobre la desbrozadora, siempre apague el motor y quite la bujía de encendido de su enchufe para la bujía.
Use siempre guantes protectores.

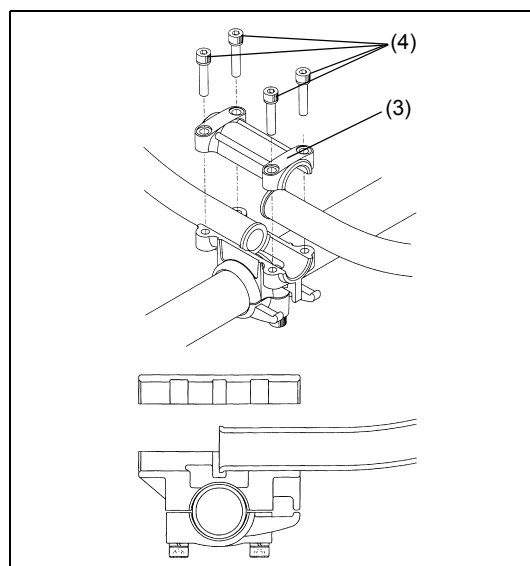
PRECAUCIÓN: Arranque la desbrozadora sólo tras haberla ensamblado por completo.

- Tras la revisión de las piezas, atornille el astil al motor con cuatro pernos M6 x 22(1). En este momento, también atornille cada terminal (2) a la cuerda de paro del motor.



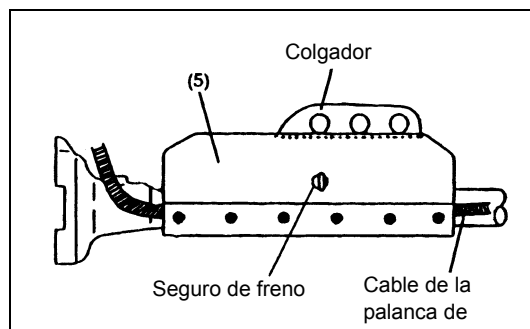
Colocación del mango

- Coloque el mango con la palanca de aceleración en el sujetador del mango sobre el costado derecho (para una sujeción con la mano derecha) y coloque el otro sobre el costado izquierdo.
- Encaje el borde del mango a la ranura del sujetador del mango, y provisionalmente fije la parte superior (3) al sujetador del mango con cuatro pernos M5 x 25 (4).
- Ajuste el mango a un ángulo que le permita un fácil manejo, y apriete el perno (4) uniformemente sobre los costados derecho e izquierdo.



- Coloque la almohadilla del talle (5). Al colocar la almohadilla del talle, asegúrese de comprobar que los cables no se muevan horizontalmente.
- Evite cualquier tendencia de que el cable de la palanca de aceleración se enrolle alrededor de la barra del mango.

El propósito del seguro del freno es prevenir que el motor gire en relación con el astil del motor mientras se usa el arrancador, o al transportar el equipo de un lugar a otro. El freno debe estar desbloqueado mientras el equipo esté usándose.



Colocación del protector

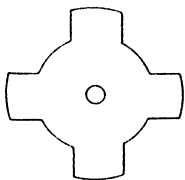
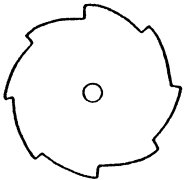
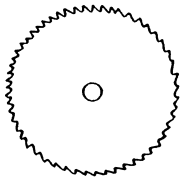
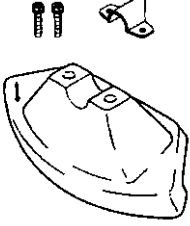
Para cumplir con las provisiones específicas de seguridad, sólo deben usarse las siguientes combinaciones de la herramienta y sus protectores que aquí se indican.



Asegúrese de usar un disco cortador original de MAKITA o una cabeza cortadora de nailon.

- El disco cortador debe estar bien pulido y libre de grietas o roturas.
- Si el disco cortador golpea contra una piedra durante la operación, detenga el motor y revise de inmediato el disco.
- Haga un pulido del disco cortador o reemplácelo cada tres horas de uso.

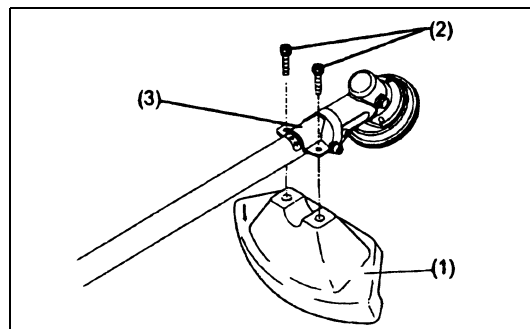
- El diámetro exterior del disco cortador debe ser de 255 mm (10-1/32").
Nunca utilice discos que excedan los 255 mm (10-1/32") de diámetro exterior.

Disco estrella	Disco eddy	Disco de sierra	Protector para disco metálico
			
NÚM. DE PIEZA 6418501400	NÚM. DE PIEZA 6418501900	NÚM. DE PIEZA 6418501600	NÚM. DE PIEZA 6418026000

PRECAUCIÓN: El protector apropiado debe siempre estar instalado por su propia seguridad para cumplir con las regulaciones sobre prevención de accidentes. No se permite usar equipo sin que el protector esté colocado en su lugar.

- Fije el protector (1) a la prensa (3) con dos pernos M6 x 30 (2).

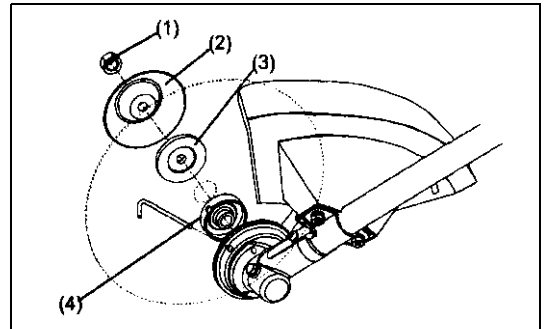
NOTA: Apriete los pernos izquierdo y derecho uniformemente de tal forma que el espacio entre la prensa (3) y el protector (1) se mantendrá igual. De otra manera, puede que el protector no funcione como debiera.



Colocación del disco cortador



- Inserte la llave hexagonal a través del orificio en la caja de cambios y gire la arandela receptora (4) hasta que quede asegurada en la llave hexagonal.
- Afloje la tuerca (1) (de rosca izquierda) con la llave de tubo y quite la tuerca (1), el cono (2) y la arandela de la prensa (3).



Colocación del disco cortador

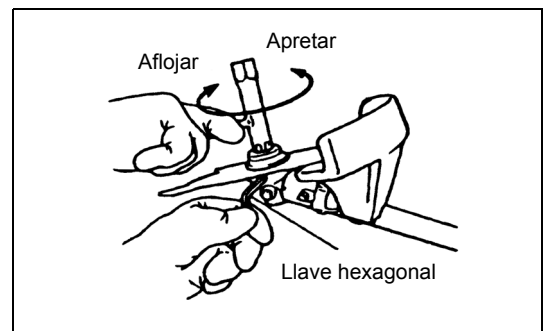
Con la llave hexagonal aún en su lugar.

- Coloque el disco cortado sobre el astil de tal forma que la guía de la arandela receptora (4) encaje con el orificio del eje del disco cortador. Coloque la arandela de la prensa (3), el cono (2) y fije el disco cortador con la tuerca (1). [Torsión de apretado: 13 - 23 N•m]

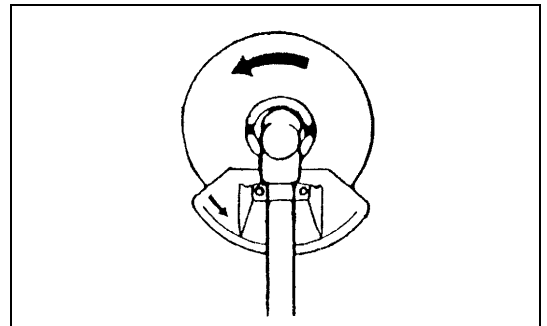
NOTA: Use siempre guantes al manipular el disco cortador.

NOTA: La tuerca de sujeción del disco cortador (con el resorte de disco en forma de cono) es una pieza que se desgasta.

Si se puede apreciar cualquier desgaste o deformación del resorte de disco en forma de cono, reemplace la tuerca.



Asegúrese de que el disco permanece orientado hacia arriba.





Manejo de sustancias del petróleo

Se requiere un máximo cuidado al estar manejando combustible. Puede que el combustible contenga sustancias similares a los disolventes. Haga el reabastecimiento de combustible ya sea en un lugar al aire libre o en un lugar bien ventilado. No inhale las emisiones del combustible y evite cualquier contacto del combustible o aceite con su piel.

Los productos de aceite mineral desgrasan su piel. Si su piel tiene contacto con estas sustancias repetidamente y por un periodo prolongado, puede que desarrolle varias enfermedades de la piel. Además, se sabe de reacciones alérgicas que esto puede generar. Los ojos pueden irritarse por el contacto con el aceite, combustible, etc.

Si llega a haber contacto del aceite con sus ojos, lávelos inmediatamente con agua limpia.

Si sus ojos continúan irritados, consulte a su médico de inmediato.



¡Asegúrese de seguir las instrucciones de seguridad de la página 4!

Mezcla de combustible y aceite

El motor de la desbrozadora es uno de alta eficiencia a dos tiempos. Funciona con una mezcla de combustible y aceite para motor a dos tiempos. El motor está diseñado para funcionar con combustible común sin plomo con octanaje mínimo de 91 RON. Si no se encuentra dicho octanaje, puede usar combustible con un octanaje mayor. Esto no afectará al motor, pero puede que el desempeño sea inferior.

Una situación similar surgirá con el uso de combustible con plomo. Para obtener un óptimo rendimiento del motor, y para proteger su salud y el ambiente, ¡deberá usarse combustible sin plomo solamente!

Para la lubricación del motor utilice aceite de motor a dos tiempos (calidad de gradiente: TC-3), el cual debe añadirse al combustible. El motor ha sido diseñado para usar aceite MAKITA para motor a dos tiempos con una relación de mezcla 25:1 para protección del medio ambiente. Además, esto asegura una prolongada vida útil y una operación confiable con un mínimo de emisiones y gases de escape. Es estrictamente crucial que la mezcla sea con una relación de 25:1 de aceite para motor MAKITA a dos tiempos. De otra forma no se puede garantizar un funcionamiento confiable de la desbrozadora.

La relación de mezcla correcta es:

Mezcle 25 partes de gasolina con 1 parte de aceite MAKITA para motor a dos tiempos (vea la tabla a la derecha).

NOTA: Para preparar la mezcla con combustible y aceite, la cantidad total de aceite con la mitad del combustible requerido de una lata aprobada puede cumplir o superar todos los estándares normativos; luego añada el combustible restante. Agite la mezcla a conciencia antes de abastecerla en el tanque de la desbrozadora. No es nada recomendable agregar más aceite de la cantidad que se especifica para una operación segura. Esto sólo resultará en una producción mayor de residuos combustionados lo cual contaminará el ambiente y congestionará el canal de escape en el cilindro, las bujías de encendido y el mofle. Además, el consumo de combustible incrementará y el rendimiento disminuirá.



Gasolina (Premium sin plomo)	+	25:1 OIL
1.000 cc (1L)		40 cc
5.000 cc (5L)		200 cc
10.000 cc (10L)		400 cc

Reabastecimiento de combustible

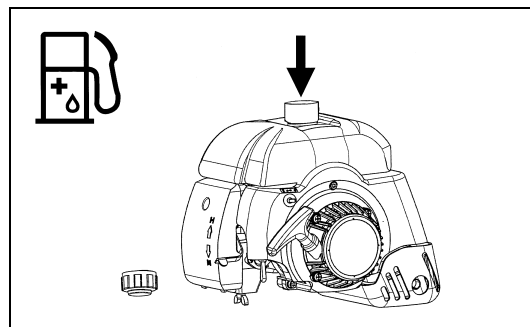
Nunca lleve a cabo el reabastecimiento de combustibles en lugares cerrados sin ventilación.

¡El motor debe estar apagado!

- Limpie muy bien el área alrededor de la tapa del tanque de combustible para prevenir la entrada de partículas o residuos en el tanque.
- Desenrosque la tapa del tanque y llene el tanque con el combustible.
- Nunca llene el tanque hasta al ras del borde.
- Enrosque firmemente la tapa del tanque.
- ¡Limpie el enchufe de la bujía y el tanque con un paño absorbente después de reabastecer el combustible!
Permita que los paños se sequen y deséchelos en un contenedor adecuado.

Almacenamiento del combustible

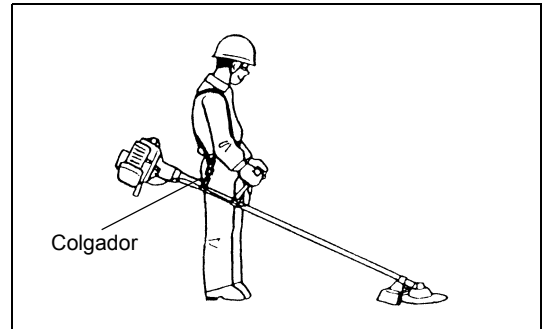
El combustible no puede almacenarse por tiempo ilimitado. Adquiera sólo la cantidad necesaria para un periodo de operación de cuatro semanas. Utilice contenedores para el almacenamiento de combustible que sean aprobados para ello.



Manejo correcto del equipo

Colocación de la correa de hombro

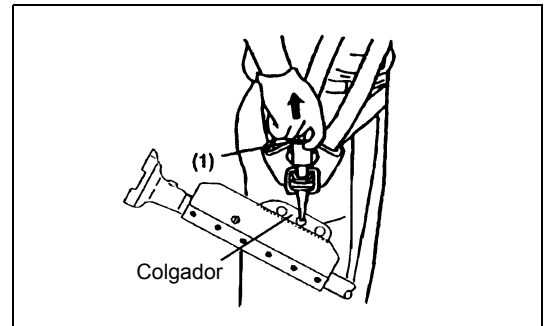
- Ajuste la longitud de la correa de tal forma que el disco cortador quede paralelo con el suelo.



Desprendimiento

- En caso de emergencia, retire la palanca de desprendimiento de emergencia (1) al jalar con fuerza con un dedo. El equipo se desprenderá del cuerpo. Tenga extremo cuidado en mantener control sobre el equipo durante este momento. No deje que el equipo se desvíe hacia usted ni hacia otra persona alrededor.

ADVERTENCIA: No tener un completo control del equipo puede resultar en serias lesiones al cuerpo o incluso la MUERTE.



Activación del equipo

¡Siga las normas correspondientes para la prevención de accidentes!

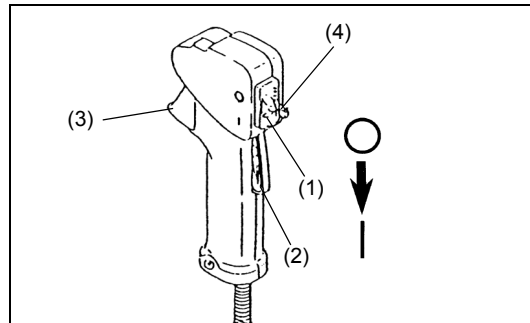



Arranque

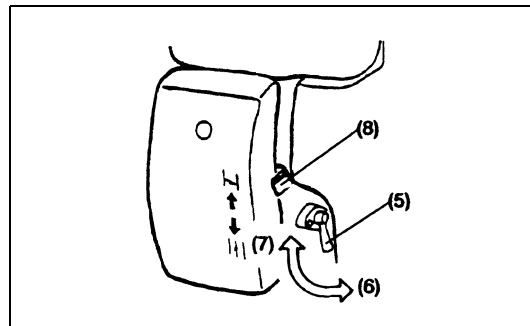
Aléjese al menos tres metros (diez pies) del lugar en donde realizó el reabastecimiento de combustible. Coloque la desbrozadora sobre una parte despejada del suelo cuidando que la pieza de corte no tenga contacto con el suelo ni con ningún otro objeto.


Arranque en frío

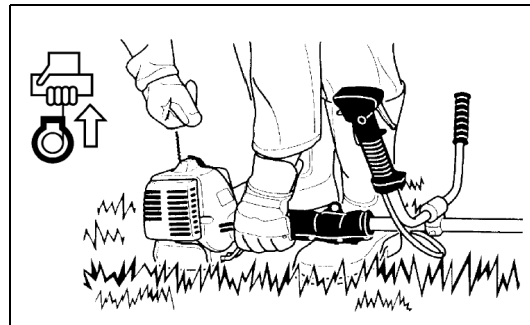
- Presione el interruptor I-O (1) en la dirección indicada por la flecha.
- Sujete el mango (la presión con la mano activa la palanca de liberación del seguro de seguridad (2)).
- Presione y mantenga presionada la palanca de aceleración (3).
- Presione el botón de fijación (4) y suelte la palanca de control, y después suelte el botón de fijación (éste sostendrá la palanca de aceleración en la posición de arranque).



- Primero coloque el equipo en el suelo.
- Abra la válvula del combustible. La válvula se abre cuando la palanca (5) está a un ángulo recto con el suelo (6). La válvula se cierra cuando la palanca está paralela con el suelo (7).
- Mueva la palanca dosificadora (8) a la posición superior ().



- Sostenga firmemente la carcasa del embrague con su mano izquierda como aparece ilustrado.
- Lentamente jale la empuñadura del arranque hasta que sienta resistencia y luego jale de un tirón.
- No jale el cuerda del arrancador a su máxima extensión ni permite que el mango de éste se retracte sin control (no soltar), sino que debe asegurar que se retracte lentamente.
- Repita la operación de arranque hasta que se escuche los sonidos iniciales de encendido.
- Presione la palanca dosificadora () y jale la cuerda de arranque de nuevo hasta que el arranque el motor.
- Tan pronto el motor arranque, inmediatamente dé un golpe ligero en la palanca de aceleración para liberar la fijación a aceleración media de tal forma que el motor esté corriendo durante el estado pasivo del equipo.
- Deje que el motor que continúe corriendo por aproximadamente un minuto a una velocidad moderada antes de aplicar un aceleramiento completo.



Precaución durante la operación:

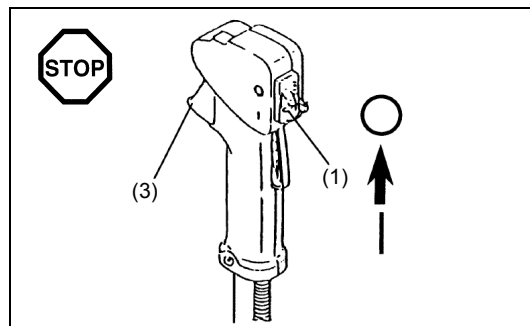
Si la palanca de aceleramiento se abre por completo en una operación sin carga, la rotación del motor se incrementa a 10.000 /min o más. Nunca opere el motor a una velocidad mayor de la necesaria, procurando que esté a una velocidad de entre 6.000 y 8.000 /min.

Arranque con el motor ya calentado

- Proceda como se describió anteriormente, excepto que no mueva la palanca dosificadora (ésta permanecerá en la posición inferior).

Detenimiento del motor

- Libere la palanca de control (3) por completo, y al desacelerarse la velocidad del motor, presione el interruptor I-O (1) a la posición "O" y el motor parará.

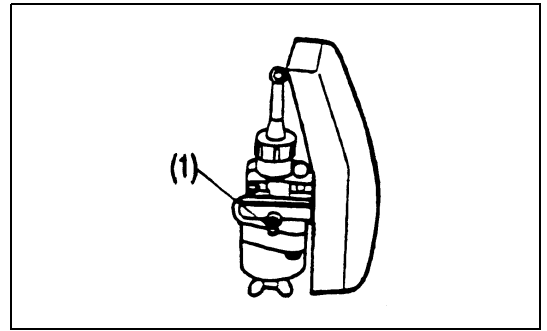


AJUSTE EN ESTADO PASIVO

El disco cortador o la cabeza cortadora de nailon no deberán estar corriendo cuando la palanca de control se haya liberado por completo. De ser necesario, ajuste las revoluciones por minuto en estado pasivo mediante el tornillo de ajuste.

Revisión de la velocidad en estado pasivo

- La velocidad en estado pasivo debe ajustarse a 2.600 /min. Ajuste de ser necesario mediante el tornillo para el estado pasivo (el disco o cabeza cortadora de nailon no deben girar cuando el motor está en estado pasivo). El enroscamiento del tornillo (1) causará un aumento en la velocidad del motor, mientras que su desenroscamiento la reducirá.



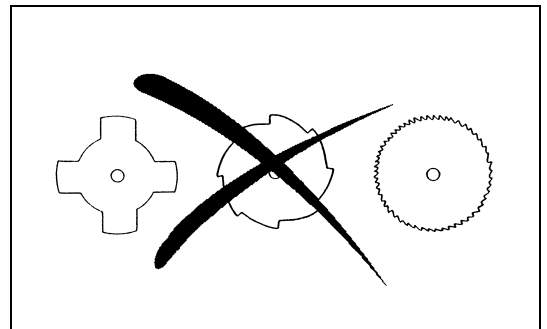
Reafilado de la pieza de corte

PRECAUCIÓN: Las piezas de corte que se mencionan a continuación deben ser reafiladas sólo por un centro autorizado. El reafilado manual resultará en una descalibración de la pieza de corte causando vibraciones y daños al equipo.

- Disco cortador (disco estrella de 4 dientes / disco Eddy de 8 dientes / disco de sierra)

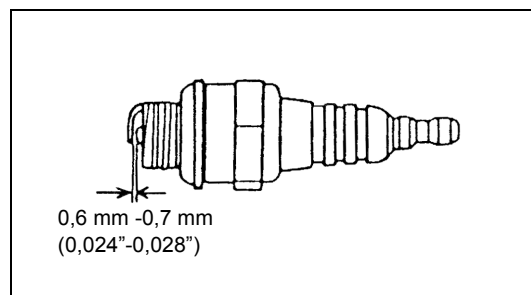
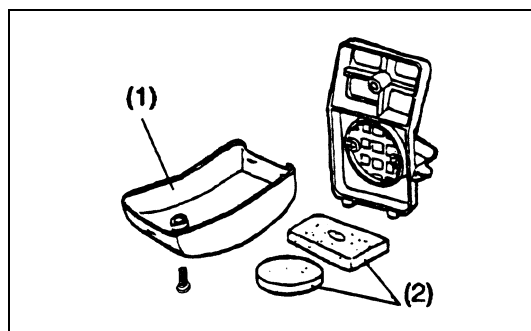
Los agentes autorizados de servicio cuenta con un experto en servicio de reafilado y calibración.

NOTA: Para aumentar la vida útil del disco cortador (disco estrella, disco eddy, disco de sierra) puede que sea volteado de lado, hasta que ambos bordes de corte se desafilan.

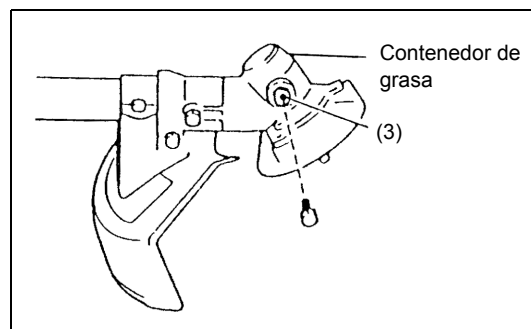


Programa de mantenimiento

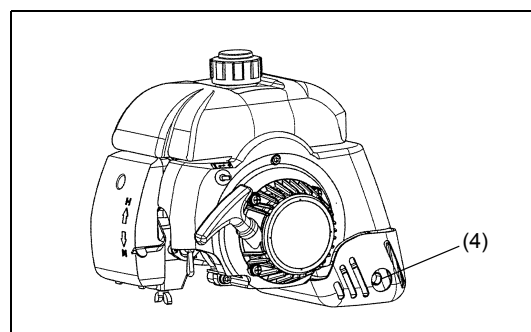
1. Antes de la operación, ponga especial atención a qué tan bien apretado está disco cortador o cabeza cortadora de nailon.
Revise las pernos y las tuercas, y vuelva a apretar de ser necesario: cada 8 horas (diariamente).
2. Revise si hay congestión por residuos en el conducto de aire para el enfriamiento, así como en las rendijas del cilindro. Limpie de ser necesario: cada 8 horas (diariamente).
3. Limpieza del filtro de aire: cada 8 horas (diariamente).
 - 1) Quite la tapa del filtro de aire (1) y limpie la pieza de esponja (2).
Si hay demasiado polvo o residuos pegados al filtro, limpie quitando esto. Puede que un filtro de aire congestionado dificulta o no permite el arranque del motor, o que incremente su velocidad rotacional.
 - 2) Coloque la pieza de esponja alrededor de las ranuras del contenedor del filtro de aire.
4. Revisión de la bujía de encendido: cada 8 horas (diariamente).
El espacio entre los dos electrodos de la bujía de encendido debe ser de 0,6 a 0,7 mm (0,024" a 0,028").
Si el espacio está muy amplio o muy estrecho, ajústelo.
Si la bujía de encendido está congestionada con residuos de carbón o está sucia, límpiela bien o reemplácela.



5. Suministro de grasa al contenedor de grasa.
Aplica grasa (SHELL ALVANIA Núm.3 o equivalente) al contenedor de grasa por el orificio de suministro (3) cada 30 horas.
(La grasa original MAKITA puede adquirirse con su distribuidor de productos MAKITA).



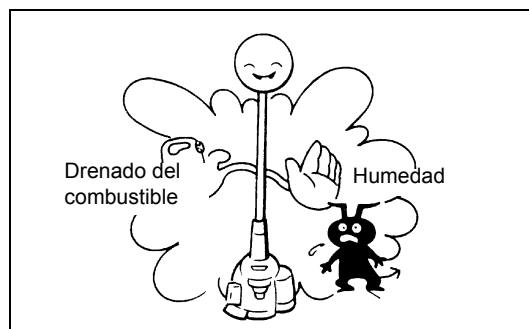
6. Limpieza del puerto de escape del mofle: cada 50 horas (mensualmente).
Si el puerto de escape (4) está congestionado con carbón, quítelo, raspe y golpee ligeramente con un destornillador o similar.
7. Revisión del filtro de combustible. Si el filtro está congestionado, límpielo.
8. Reemplazo de las línea de combustible: cada 200 horas (anualmente).
9. Mantenimiento de renovación del motor: cada 200 horas (anualmente).
10. Reemplazo los empaques y los sellos con otros nuevos: cada vez que el motor sea reensamblado.



General	Ensamble del motor, tornillos y tuercas	Inspección visual para daños y que tan bien están apretados los tornillos Revisión de la condición general y la seguridad
Después de cada reabastecimiento de combustible	Palanca de aceleración Llave del seguro de seguridad Interruptor de ENCENDIDO Y APAGADO	Revisión funcional Revisión funcional Revisión funcional
Diariamente	Pieza de esponja (filtro de aire) Conducto de aire de enfriamiento Disco cortador Velocidad en estado pasivo	A ser limpiado A ser limpiado Revisión de daños y del filo Inspección (la pieza de corte no debe moverse)
Semanalmente	Bujía de encendido Mofle	Inspección, reemplazo cuando sea necesario Revisión y cuando sea necesario limpiar la abertura
Trimestralmente	Cabeza de succión (filtro de la línea del combustible) Tanque del combustible	A ser reemplazado A ser limpiado
Procedimiento de apagado	Tanque del combustible Carburador	Vaciar el tanque de combustible Utilizar hasta que el motor agote el combustible

Almacenamiento

- Cuando el equipo se almacene por un tiempo prolongado, drene el combustible del tanque y carburador como se indica a continuación: Drene todo el combustible del tanque. Deshágase de éste de la manera correspondiente en cumplimiento con las leyes locales.
- Retire la bujía de encendido y algunas gotas de aceite en el enchufe de ésta. Luego, jale el arrancador suavemente de tal forma que el aceite cubra el motor por dentro, colocando y apretando luego la bujía de encendido.
- Limpie el disco cortador eliminando el polvo y los residuos, así como el exterior del motor pasando un paño que haya sumergido en aceite, y guarde el equipo en un lugar lo más seco que sea posible.



Fallas

Falla	Sistema	Observación	Causa
El motor no arranca o arranca con dificultad	Sistema de encendido	Sí hay chispa de encendido	Falla en el suministro de combustible o sistema de compresión; problema mecánico
		No hay chispa de encendido	Manejo del interruptor I-O; falla en el cableado o corto circuito; defecto en la bujía de encendido o su enchufe; problema en el módulo de encendido
	Suministro de combustible	Tanque de combustible lleno	Posición incorrecta del dosificador; carburador defectuoso; línea de suministro de combustible doblada o bloqueada; combustible impuro
	Compresión	No hay compresión al dar el jalón	Empaque defectuoso en el fondo del cilindro; daños en el sellado del cigüeñal; cilindro o anillos de pistones defectuosos o sellado inadecuado de la bujía de encendido
	Falla mecánica	Arrancador no acciona	Resorte del arrancador roto; piezas rotas dentro del motor
Problemas al arrancar el motor ya calentado		Existencia de chispa de encendido con el tanque lleno	Carburador contaminado, debe limpiarse
El motor arranca pero se apaga de inmediato	Suministro de combustible	Tanque lleno	Ajuste incorrecto del estado pasivo; carburador contaminado
			Respiradero del tanque defectuoso; obstrucción de la línea de suministro de combustible; falla en el cable interruptor de encendido I-O
Rendimiento deficiente	Puede que varios sistemas del equipo se vean afectados a la vez	Ineficiencia de estado pasivo del motor	Filtro de aire contaminado; carburador contaminado; congestión del mofle; congestión del conducto de escape en el cilindro

Merci d'avoir choisi la débroussailleuse de MAKITA. Nous sommes ravis de vous proposer la débroussailleuse de MAKITA, résultat d'un long programme de développement et de nombreuses années d'expérience et de connaissances. Veuillez lire ce livret qui explique en détails les nombreuses caractéristiques qui en font un outil aux performances exceptionnelles. Il vous aidera à obtenir le meilleur résultat possible avec votre débroussailleuse de MAKITA.

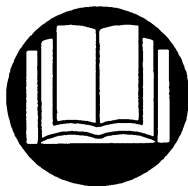


Table des matières	Page
Symboles	50
Instructions de sécurité	51-54
Caractéristiques techniques	55
Nomenclature des pièces	56
Montage du moteur et de l'arbre	57
Montage de la poignée	57
Montage du dispositif de protection	58
Montage de la lame	59
Carburants/plein	60
Maniement correct de l'outil	61
Mise en marche	62
Réaffûtage de l'outil de coupe	63
Programme d'entretien	64
Entreposage	65

Symboles

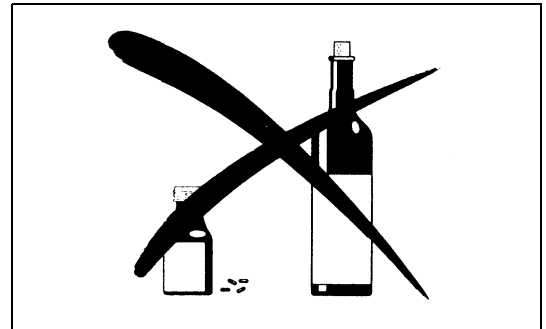
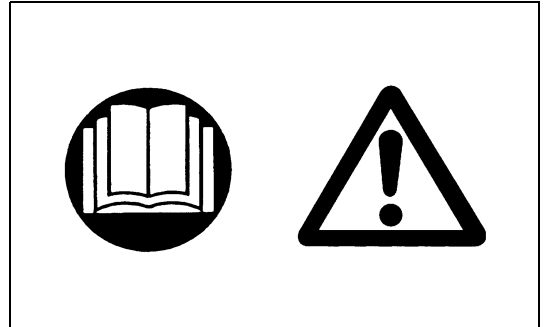
Le mode d'emploi contient les symboles suivants.

	Reportez-vous au mode d'emploi.		Éloignez les personnes et les animaux du lieu de travail
	Utilisez d'attention et de soins tout particulier		Portez un casque protecteur, des lunettes de protection et des protège-oreilles
	Interdit		Vitesse d'outil maximale autorisée
	Restez à distance		Mélange d'huile et d'essence
	Danger d'objets volants		Démarrage manuel du moteur
	Ne pas fumer		Arrêt d'urgence
	Pas de flammes nues		Premier secours
	Portez des gants de protection.		Recyclage
	Portez des chaussures de sécurité à semelles antidérapantes. Les chaussures de sécurité coquées sont recommandées.		MISE SOUS TENSION/DÉMARRAGE
	Choc en retour		MISE HORS TENSION/ARRÊT

Instructions de sécurité

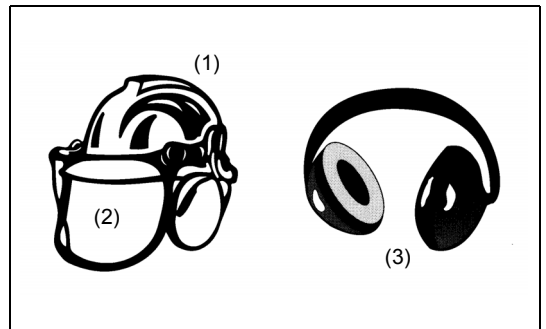
Instructions générales

- Pour garantir un fonctionnement correct et sûr, l'utilisateur doit lire le présent mode d'emploi et s'y conformer, pour prendre connaissance de la manipulation de la débroussailleuse. Sans ces informations, vous risquez de vous mettre en danger ou de blesser d'autres personnes à cause d'une utilisation incorrecte.
- Nous vous conseillons de ne prêter la débroussailleuse qu'aux personnes sachant utiliser ce type d'outil. Prêtez-leur systématiquement le mode d'emploi.
- Veuillez d'abord demander des instructions de base au vendeur, afin de vous familiariser au fonctionnement d'un outil à moteur essence.
- Il est interdit aux enfants et aux mineurs d'utiliser la débroussailleuse. Les personnes de plus de 16 ans peuvent toutefois l'utiliser pour s'y former, mais uniquement sous la supervision d'un formateur agréé.
- Utilisez les débroussailleuses avec le plus grand soin et attention.
- N'utilisez la débroussailleuse que si vous êtes en bonne condition physique. Effectuez tout le travail consciencieusement et prudemment. Vous engagez votre responsabilité.
- N'utilisez jamais la débroussailleuse sous l'emprise de l'alcool ou de médicaments.
- N'utilisez pas l'appareil si vous vous sentez fatigué.
- **Conservez ces instructions pour votre référence future.**



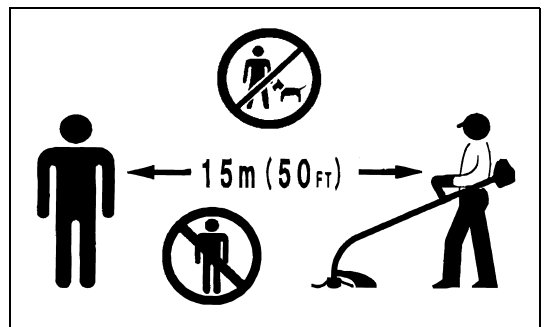
Dispositifs de protection individuelle

- Les vêtements que vous portez doivent être fonctionnels et appropriés, c'est-à-dire ne pas être lâches, sans pour autant entraver vos mouvements. Ne portez pas de bijoux ou de vêtements qui pourraient s'accrocher dans les taillis ou les petits arbustes.
- L'équipement de protection suivant ainsi que les vêtements de protection doivent être utilisés tandis que vous utilisez la débroussailleuse afin d'éviter des blessures aux pieds, aux mains, aux yeux et à la tête ainsi que pour protéger vos oreilles durant l'utilisation.
- Lorsque vous travaillez en forêt, portez toujours un casque. Le casque de protection (1) doit être inspecté régulièrement et remplacé tous les 5 ans maximum. N'utilisez que des casques de protection agréés.
- La visière (2) du casque (ou les lunettes) protège le visage des débris, pierres et autres objets volants. Durant l'utilisation de la débroussailleuse, portez toujours des lunettes ou une visière afin de protéger vos yeux.
- Portez un équipement de protection antibruit adéquat afin d'éviter toute perte d'audition (casque antibruit (3), bouchons d'oreille etc.), particulièrement si vous devez travailler pendant des périodes prolongées.
- Les vêtements de travail (4) protègent contre les pierres et éclats volants. Nous vous recommandons fortement de porter des vêtements de travail.
- Des gants spéciaux (5) en cuir épais font partie de l'équipement prescrit et doivent toujours être portés durant l'utilisation de la débroussailleuse.
- Quand vous utilisez la débroussailleuse, portez toujours des chaussures de sécurité (6) à semelles anti-dérapantes. Elles vous protégeront des éventuelles blessures et vous assureront une bonne stabilité.

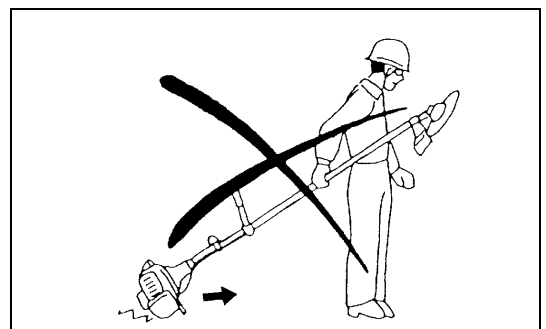
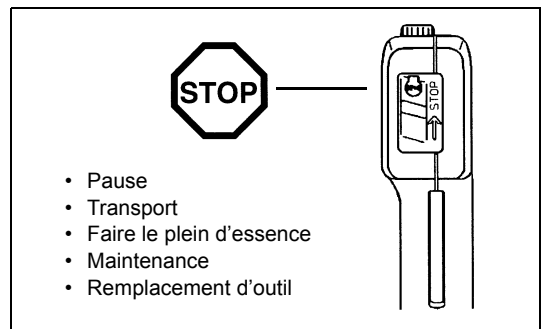
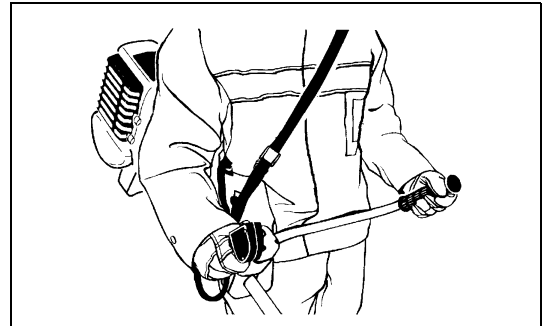
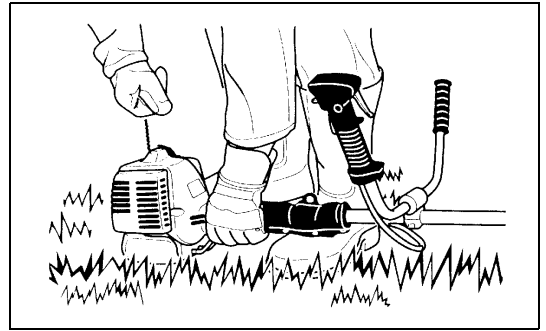


Démarrage de la débroussailleuse

- Éloignez les personnes du lieu de travail à une distance minimum de 15 mètres et faites aussi attention aux animaux qui pourraient se trouver à proximité.
- Avant de l'utiliser, vérifiez toujours que la débroussailleuse est sûre : Assurez-vous que la lame est sûre. Vérifiez que son écrou de fixation est fermement serré. Vérifiez que le levier d'accélération fonctionne normalement et facilement. Vérifiez que le dispositif de verrouillage du levier d'accélération fonctionne correctement. Au ralenti, la lame ne doit pas tourner. Reportez-vous aux instructions de réglage du ralenti à la page 63. Vérifiez que les poignées sont propres et sèches, et que l'interrupteur marche/arrêt fonctionne bien. Ne mettez ni huile ni carburant sur les poignées.

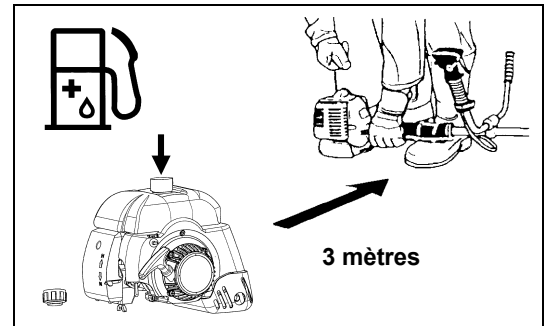
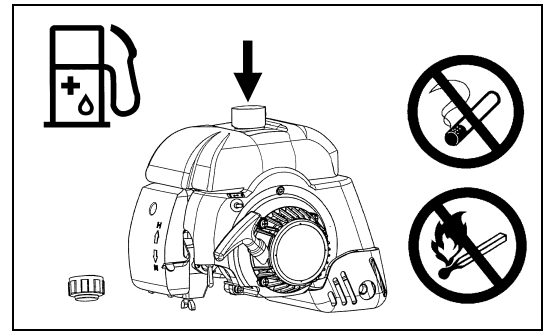


- Ne démarrez la débroussailleuse que conformément aux instructions. N'utilisez pas d'autres méthodes pour démarrer le moteur !
- N'utilisez la débroussailleuse et ses outils que pour les applications spécifiées.
- Ne démarrez le moteur de la débroussailleuse qu'une fois l'équipement entièrement assemblé. L'utilisation de l'outil est uniquement permise une fois tous les accessoires fixés !
- Avant de démarrer, assurez-vous que l'outil de coupe n'est pas en contact avec des objets durs tels que des branches, pierres etc. et que la lame tournera au démarrage.
- En cas de problème avec le moteur, éteignez-le immédiatement.
- Si l'outil de coupe cogne des pierres ou d'autres objets durs, éteignez tout de suite le moteur et inspectez l'outil de coupe.
- Examinez l'outil de coupe très régulièrement (détection de fissures capillaires en utilisant le test de bruit de prise).
- N'utilisez la débroussailleuse qu'avec la bandoulière correctement réglée, et ne démarrez l'appareil qu'une fois celle-ci réglée. Il est très important de régler la bandoulière à votre taille, afin d'éviter toute fatigue pendant l'utilisation. Lors de l'utilisation, ne tenez jamais la débroussailleuse d'une seule main.
- Durant l'utilisation, tenez toujours la débroussailleuse à deux mains. Assurez-vous toujours d'avoir une bonne stabilité.
- Utilisez la débroussailleuse en évitant d'inhaler les gaz d'échappement. Ne faites jamais tourner le moteur dans une pièce confinée (risque d'intoxication aux gaz). Le monoxyde de carbone est un gaz inodore.
- Éteignez le moteur lorsque vous faites une pause ou que vous laissez la débroussailleuse sans surveillance, et placez-la dans un endroit sûr pour éviter tout danger ou dommage.
- Ne mettez jamais la débroussailleuse chaude sur de l'herbe sèche ni sur d'autres matériaux combustibles.
- L'outil de coupe doit toujours être équipé du dispositif de protection approprié. N'utilisez jamais la débroussailleuse sans ce dispositif de protection !
- Utilisez tous les dispositifs de protection fournis avec l'outil.
- Ne faites jamais fonctionner le moteur avec un pot d'échappement endommagé.
- Éteignez le moteur durant le transport.
- Lors du transport sur de longues distances, la machine doit toujours être équipée des dispositifs de protection fournies.
- Lors du transport en voiture, veillez à placer la débroussailleuse dans une position stable afin d'éviter toute fuite d'essence.
- Avant d'envoyer la débroussailleuse par la poste, vérifiez que le réservoir de carburant est complètement vide.
- Lorsque vous déchargez la débroussailleuse du coffre, ne faites jamais tomber le moteur au sol, car cela risquerait d'endommager le réservoir d'essence.
- Sauf en cas d'urgence, ne laissez jamais tomber la débroussailleuse sur le sol, car vous risqueriez de l'endommager grièvement.
- Veillez à toujours soulever l'ensemble de l'équipement lorsque vous le déplacez. Il est très dangereux de faire traîner le réservoir de carburant : cela peut provoquer des fuites d'essence, voire un incendie.



Faire le plein d'essence

- Lorsque vous faites le plein, éteignez le moteur, éloignez l'appareil des flammes nues et ne fumez pas.
- Évitez tout contact entre la peau et les huiles minérales. N'inhalez pas les vapeurs de carburant. Portez toujours des gants de protection durant le plein d'essence. Changez et nettoyez régulièrement vos vêtements de protection.
- Veillez à ne pas renverser d'essence ni d'huile, afin d'éviter toute contamination du sol (protection de l'environnement). Si vous renversez du carburant, nettoyez immédiatement la débroussailleuse. Évitez tout contact entre vos vêtements et l'essence. Si vous renversez de l'essence sur vos vêtements, changez-vous immédiatement (pour éviter que vos vêtements ne prennent feu).
- Vérifiez régulièrement le bouchon du réservoir pour vous assurer qu'il est bien serré.
- Serrez soigneusement le bouchon du réservoir et vérifiez qu'il ne fuit pas. Déplacez-vous pour démarrer le moteur (à au moins 3 mètres de l'endroit où vous avez fait le plein).
- Ne faites jamais le plein dans une pièce confinée. Les vapeurs d'essence s'accablent au niveau du sol (risque d'explosion).
- Transportez l'appareil et ne le stockez que dans des conteneurs agréés. Conservez le carburant hors de portée des enfants.



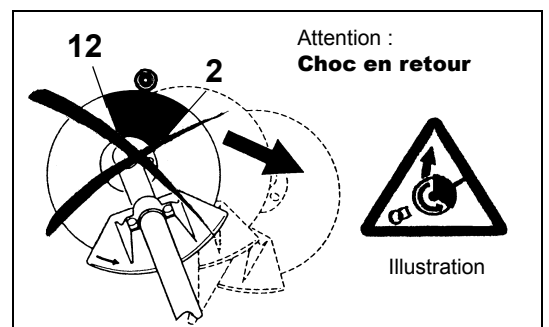
Mode d'emploi

- N'utilisez la débroussailleuse que dans des conditions d'éclairage et avec une visibilité suffisantes. Pendant l'hiver, faites attention aux zones glissantes ou mouillées, au verglas et à la neige (risques de glissade). Assurez-vous toujours d'avoir une bonne stabilité.
- Ne coupez jamais plus haut que vos épaules.
- N'utilisez jamais la débroussailleuse sur une échelle.
- Ne grimpez jamais dans les arbres pour utiliser la débroussailleuse.
- Ne travaillez jamais sur des surfaces instables.
- Enlevez le sable, les pierres, les clous etc. de l'intérieur du périmètre de travail. Les corps étrangers risquent d'endommager l'outil de coupe et de provoquer de dangereux chocs en retour.
- Avant de commencer la coupe, l'outil de coupe doit avoir atteint sa vitesse de travail maximale.



Choc en retour

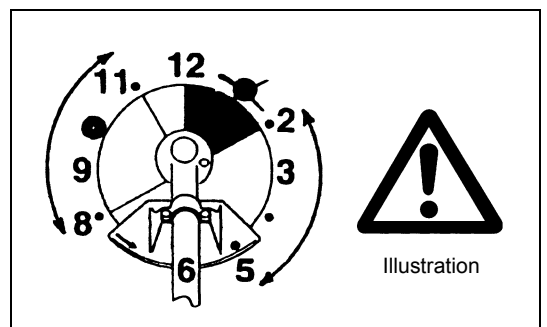
- Quand vous utilisez la débroussailleuse, des chocs en retour incontrôlés sont possibles.
- Les probabilités sont accrues particulièrement lorsque vous tentez de couper avec un segment de la lame compris entre 12 h et 2 h.
- N'utilisez jamais la débroussailleuse lorsque le segment est compris entre 12 h et 2 h.
- N'appliquez jamais ce segment de la débroussailleuse sur des objets solides, comme des buissons ou arbres, dont le diamètre dépasse 3 cm. Sinon, la débroussailleuse risque d'être déviée avec une grande force et de provoquer des blessures.



Prévention des chocs en retour

Pour éviter les chocs en retour, souvenez-vous ce qui suit :

- L'utilisation avec le segment de la lame entre 12 h et 2 h présente des dangers, surtout lorsque vous utilisez des outils de coupe en métal.
- Les opérations de coupe lorsque les segments de lame sont compris entre 11 h et 12 h, ou entre 2 h et 5 h, ne doivent être effectuées que par des opérateurs formés et expérimentés, et à leurs risques et périls. Pour une coupe avec des chocs en retour très limités, utilisez la lame avec son segment compris entre 8 h et 11 h.



Outils de coupe

N'utilisez que l'outil de coupe adapté au travail.

Tête à fils de nylon :

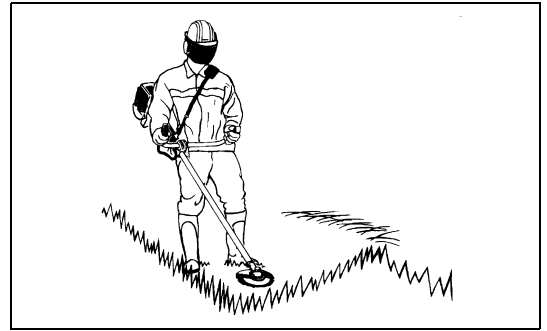
conçue exclusivement pour couper le long de murs, de clôtures, autour de poteaux, mais aussi les bordures, les arbres etc. (en complément d'une tondeuse à gazon). Effectuez ce type de travail en faisant des demi-cercles de gauche à droite avec la débroussailleuse.

Lame (en étoile [4 dents], en tourbillon [8 dents]) :

pour couper des matériaux épais tels que mauvaises herbes, herbes hautes, taillis, petits arbustes, sous-bois, fourrés, etc. (diamètre max. : 2 cm). Effectuez ce type de travail en faisant des demi-cercles de droite à gauche avec la débroussailleuse (comme si vous utilisiez une faux).

Scie :

Utilisez la scie si des feuilles de bambou, des arbustes, des pampas, etc. sont mélangés à l'herbe.



Instructions d'entretien

- Avant d'utiliser l'outil, vérifiez son état, et notamment celui de l'outil de coupe, des dispositifs de protection et de la bandoulière. Examinez également avec une attention toute particulière les lames, qui doivent être bien aiguisées.
- Mettez le moteur hors tension et enlevez le connecteur de bougies lorsque vous remplacez ou aiguisiez les outils de coupe, et quand vous nettoyez la lame ou l'outil de coupe.

Ne redressez ni ne soudez jamais des outils de coupe endommagés.

- Utilisez la débroussailleuse avec aussi peu de bruit et de contamination que possible. Vérifiez notamment le bon réglage du carburateur.
- Nettoyez régulièrement la débroussailleuse et vérifiez que tous les vis et écrous sont bien serrés.
- N'effectuez jamais d'opération d'entretien et ne rangez pas la débroussailleuse à proximité de flammes.
- Rangez toujours la débroussailleuse dans des pièces fermées, avec le réservoir de carburant complètement vide.

Conformez-vous aux consignes de prévention des accidents applicables des syndicats professionnels et compagnies d'assurance.
Ne modifiez pas la débroussailleuse, car vous risquez de compromettre votre sécurité.

Les opérations de maintenance ou les réparations effectuées par l'utilisateur se limitent à celles décrites dans le mode d'emploi. Tout autre travail doit être fait par un agent d'entretien agréé.

N'utilisez que des pièces de remplacement et des accessoires d'origine MAKITA.

L'utilisation d'accessoires ou d'outils non approuvés augmente les risques d'accident et de blessures.

MAKITA décline toute responsabilité relative aux accidents ou dommages provoqués par l'utilisation de dispositifs de montage des outils de coupe non agréés.

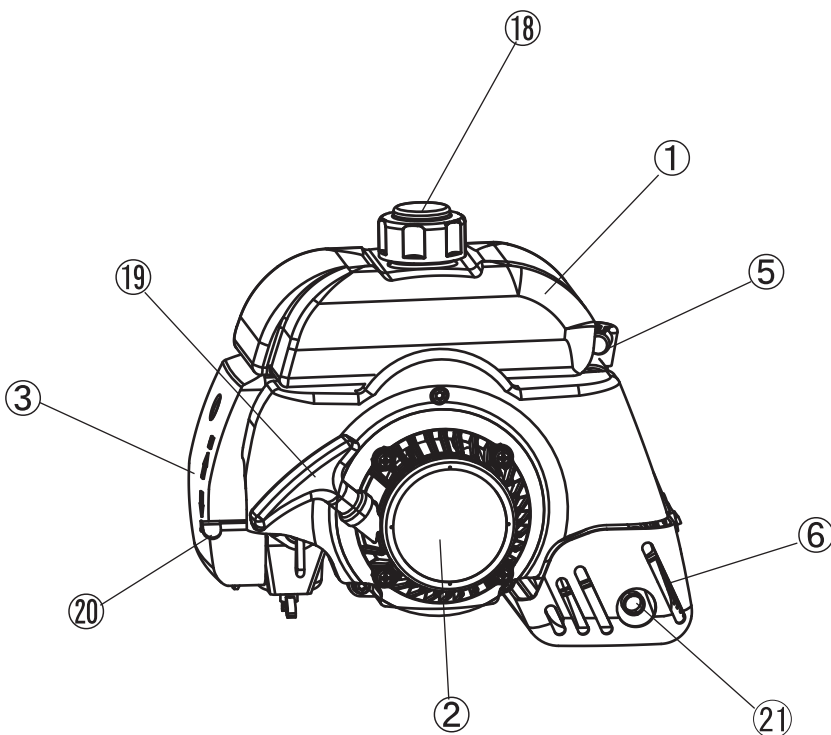
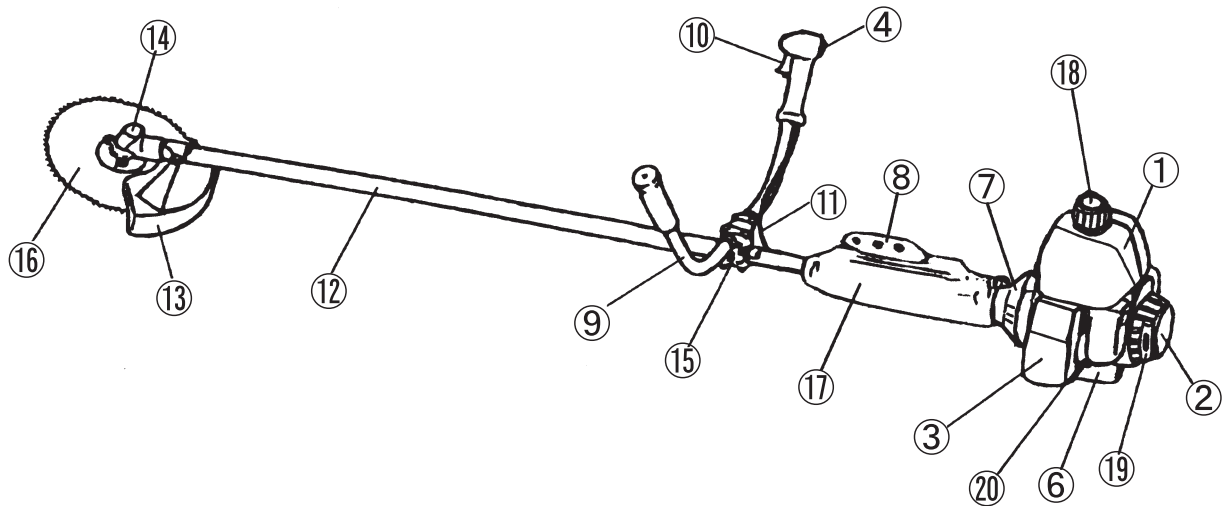


Caractéristiques techniques

Modèle		RBC411
		Poignée en U
Dimensions : longueur x largeur x hauteur (sans la lame)	mm	1 705 x 620 x 435
Poids (sans la protection plastique ni la lame)	kg	7,3
Volume (réservoir de carburant)	l	1,1
Déplacement du moteur	cc	40,2
Performances maximum du moteur	CV	1,97 à 7 000 /min
Vitesse du moteur à la vitesse de l'axe max. recommandée	/min	8 500
Vitesse de l'axe maximum (correspondante)	/min	6 800
Consommation de carburant	kg/h	0,98
Consommation d'essence spécifique	g/HPh	846
Ralenti	/min	2 600
Vitesse d'embrayage	/min	3 600
Carburateur (Flotteur - carburateur)	type	MIKUNI VM
Système d'allumage	type	Allumage à semi-conducteur
Bougie d'allumage	type	NGK BPM7A
Distance entre les électrodes	mm	0,6 - 0,7
Taux de mélange (carburant : huile MAKITA pour moteurs à deux temps)		25 : 1
Rapport de vitesse		13/19

1) Les données prennent également en compte le ralenti et l'accélération ou les modes de fonctionnement d'accélération plein gaz.

Nomenclature des pièces



N°	Nomenclature des pièces
1	Réservoir de carburant
2	Démarrreur à rappel
3	Filtre à air
4	Interrupteur I-O (marche/arrêt)
5	Bougie d'allumage
6	Silencieux d'échappement
7	Carter d'embrayage
8	Crochet de suspension
9	Poignée
10	Levier d'accélération
11	Câble d'accélération
12	Arbre
13	Dispositif de protection
14	Carter d'engrenage
15	Support de poignée
16	Lame
17	Protecteur de hanche
18	Bouchon du réservoir de carburant
19	Bouton de démarrage
20	Levier de l'étrangleur
21	Tuyau d'échappement

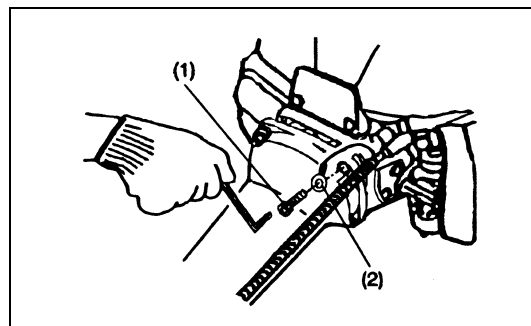
Montage du moteur et de l'arbre

ATTENTION : Avant d'effectuer une opération de maintenance sur la débroussailleuse, arrêtez toujours le moteur et déconnectez le connecteur des bougies.

Portez toujours des gants de protection.

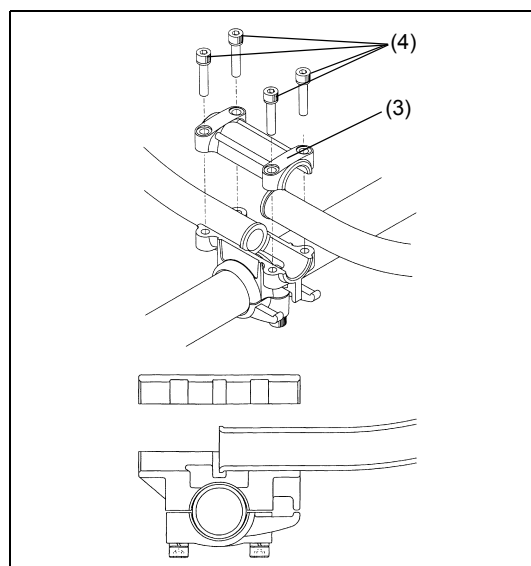
ATTENTION : Ne démarrez la débroussailleuse qu'après l'avoir entièrement montée.

- Une fois les composants vérifiés, attachez l'arbre d'entraînement au moteur à l'aide de quatre boulons M6 x 22 (1). Attachez alors aussi la borne terre (2) du cordon d'arrêt au moteur.



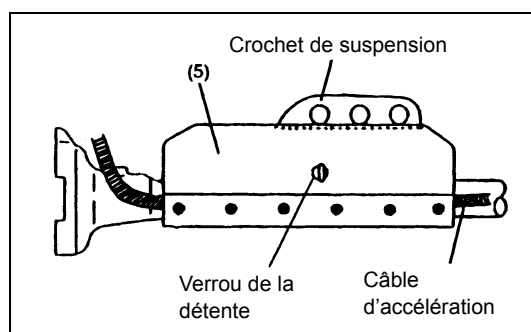
Montage de la poignée

- Placez la poignée avec le levier d'accélération sur le support de poignée situé du côté droit (celui que vous tiendrez de la main droite) et l'autre du côté gauche.
- Insérez l'extrémité de la poignée dans la rainure du support de poignée, et fixez provisoirement le côté supérieur (3) du support de poignée avec quatre boulons M5 x 25 (4).
- Réglez la poignée sur un angle facile à manipuler et serrez le boulon (4) uniformément sur les côtés droite et gauche.



- Montez le protecteur de hanche (5). Ensuite, vérifiez que les câbles ne bougent pas horizontalement.
- Empêchez que le câble d'accélération ne s'enroule autour de la poignée.

Le verrou de la détente vise à empêcher le moteur de tourner avec l'arbre d'entraînement lors du fonctionnement du démarreur ou du transport de l'équipement. Lorsque vous utilisez l'appareil, déverrouillez la détente.



Montage du dispositif de protection

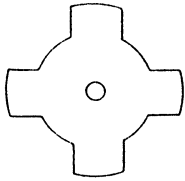
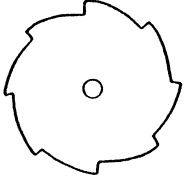
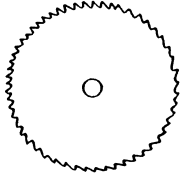
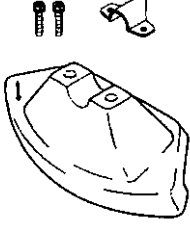
Pour respecter la législation de sécurité applicable, seules les combinaisons outil/dispositif de protection indiquées dans le tableau doivent être utilisées.



Utilisez toujours des lames ou têtes à fils de nylon d'origine MAKITA.

- La lame doit être bien aiguisée, et exempte de fissures ou cassures.
- Si la lame heurte une pierre durant l'utilisation, arrêtez le moteur et vérifiez-la immédiatement.
- Aiguissez ou remplacez la lame toutes les trois heures de fonctionnement.

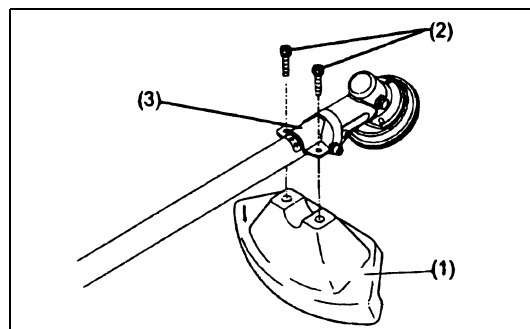
- Le diamètre extérieur de la lame doit être de 255 mm.
N'utilisez jamais de lame avec un diamètre extérieur supérieur à 255 mm.

Lame en étoile	Lame en tourbillon	Scie	Dispositif de protection pour lames métalliques
			
PIECE N° 6418501400	PIECE N° 6418501900	PIECE N° 6418501600	PIECE N° 6418026000

ATTENTION : Installez toujours les dispositifs de protection appropriés pour votre propre sécurité et vous conformer aux règlements afférents à la prévention des accidents. N'utilisez pas l'outil quand le dispositif de protection n'est pas en place.

- Attachez le dispositif de protection (1) au collier de serrage (3) avec deux boulons M6 x 30 (2).

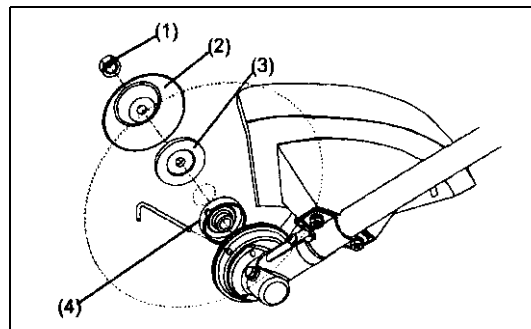
REMARQUE : Serrez les boulons gauche et droit de manière égale, afin que l'espace entre le collier de serrage (3) et le dispositif de protection (1) soit régulier. Sinon, le dispositif de protection risque parfois de ne pas fonctionner comme indiqué.



Montage de la lame



- Insérez la clé hexagonale dans l'orifice du carter d'engrenage et faites pivoter la rondelle de réception (4) avec la clé hexagonale jusqu'à ce qu'elle soit verrouillée.
- Desserrez l'écrou (1) (filetage gauche) avec la clé à douille, et enlevez l'écrou (1), la bague (2) et la rondelle de serrage (3).



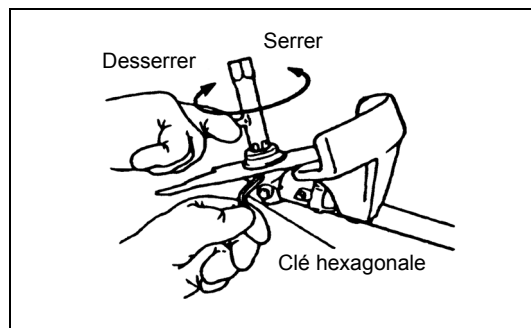
Montage de la lame

Avec la clé hexagonale encore en place.

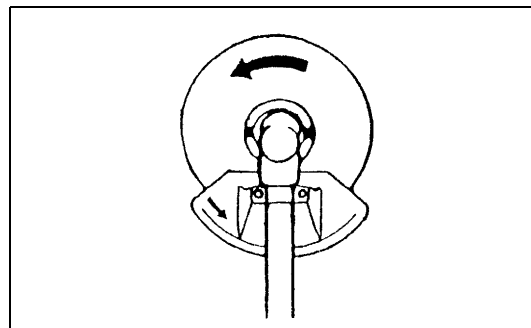
- Montez la lame sur l'arbre de sorte que le guide de la rondelle de réception (4) s'ajuste dans l'orifice de l'arbre de la lame. Installez la rondelle de serrage (3) et la bague (2), puis fixez la lame avec l'écrou (1).
[Couple de serrage : 13 - 23 N•m]

REMARQUE : Portez toujours des gants quand vous maniez la lame.

REMARQUE : L'écrou de fixation de la lame (avec rondelle élastique à ressort) est une pièce à changer périodiquement.
Si vous remarquez que la rondelle élastique à ressort est usée ou déformée, remplacez l'écrou.



Assurez-vous que le côté gauche de la tête est en haut.





Manipulation de produits pétroliers

U Le plus grand soin est requis lorsque vous manipulez du carburant. Il peut contenir des substances similaires à des solvants. Refaites l'appoint dans un lieu bien ventilé ou à l'extérieur. N'inhalez pas les vapeurs de carburant et évitez tout contact entre le carburant, l'huile et votre peau.

Les huiles minérales peuvent dégraisser votre peau. Le contact répété et prolongé de votre peau avec ces substances peut être à l'origine de diverses pathologies dermatologiques. De plus, des réactions allergiques sont possibles. Au contact de l'huile, du carburant, etc., vos yeux peuvent être irrités. Si de l'huile est projetée dans vos yeux, rincez-les immédiatement à l'eau claire. Si l'irritation persiste, consultez un médecin sans attendre.

Mélange d'huile et d'essence

Le moteur de la débroussailleuse est un moteur à deux temps à haut rendement. Il fonctionne avec un mélange de carburant et d'huile pour moteur à deux temps. Le moteur est conçu pour être utilisé avec une essence sans plomb à l'indice d'octane min. de 91 RON. Si vous ne trouvez pas ce carburant, vous pouvez en utiliser un avec un indice d'octane supérieur. Cela ne nuira pas au moteur, mais les conditions de fonctionnement peuvent en pâtir.

Une situation semblable se produira si vous utilisez de l'essence au plomb. Pour obtenir des performances de moteur optimales et pour protéger votre santé et l'environnement, utilisez exclusivement du carburant sans plomb !

Pour lubrifier le moteur, utilisez une huile pour moteur à deux temps (qualité : TC-3), ajoutée au carburant. Le moteur a été conçu pour utiliser de l'huile pour moteur à deux temps MAKITA à un taux de mélange de 25:1, afin de protéger l'environnement. De plus, une longue durée de vie et un fonctionnement fiable avec une émission de gaz d'échappement minimum sont assurés. Il est crucial de respecter le taux de mélange de 25:1 d'huile pour moteur à deux temps MAKITA. Sinon, le fonctionnement fiable de la débroussailleuse n'est pas garanti.

Taux de mélange correct :

Mélangez 25 volumes d'essence à 1 volume d'huile pour moteur à deux temps MAKITA (voir le tableau sur la droite).

REMARQUE : Pour effectuer le mélange carburant/huile, commencez par mélanger toute l'huile à la moitié du carburant requis dans un conteneur agréé, conforme aux normes applicables, puis ajoutez le carburant restant. Secouez bien le mélange avant de le verser dans le réservoir de la débroussailleuse. Pour garantir un fonctionnement fiable, n'ajoutez pas plus d'huile que la quantité préconisée. Cela produirait plus de résidus de combustion polluants, qui obstruent le canal d'échappement dans le cylindre ainsi que dans le pot d'échappement. De plus, la consommation d'essence va augmenter et les performances diminuer.

Faire le plein d'essence

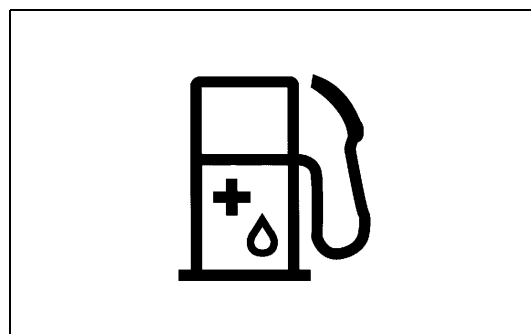
Ne remplissez jamais le réservoir dans un lieu fermé et mal ventilé.

Le moteur doit être mis hors tension !

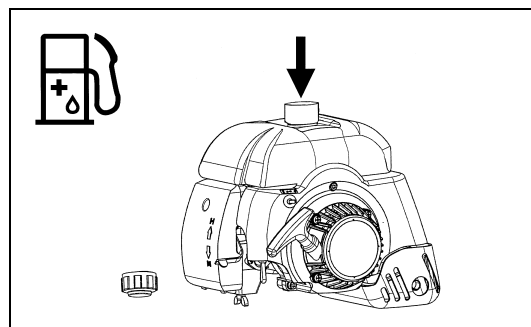
- Nettoyez soigneusement le pourtour du bouchon de remplissage du réservoir pour éviter que des impuretés ne pénètrent dans le réservoir.
- Dévissez le bouchon du réservoir et faites l'appoint de carburant.
- Ne remplissez jamais le réservoir jusqu'en haut.
- Revissez bien le bouchon.
- Une fois ceci fait, nettoyez le bouchon et le réservoir avec du papier absorbant ! Laissez sécher le papier puis jetez-le dans le conteneur approprié.

Stockage du mélange

Le mélange ne peut pas être conservé pendant une durée illimitée. N'achetez que la quantité requise pour une période de 4 semaines d'utilisation. Ne le conservez que dans des conteneurs de stockage de carburant homologués.



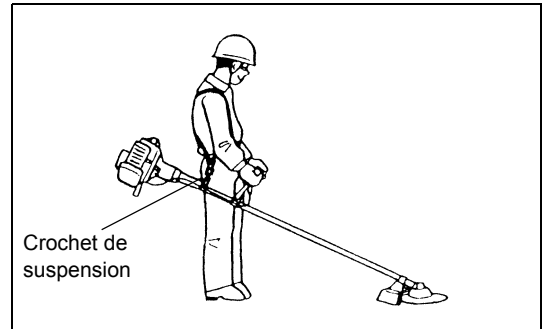
Essence (premium sans plomb)	+	25:1 OIL
1 000 cc (1 l)		40 cc
5 000 cc (5 l)		200 cc
10 000 cc (10 l)		400 cc



Maniement correct de l'outil

Fixation de la bandoulière

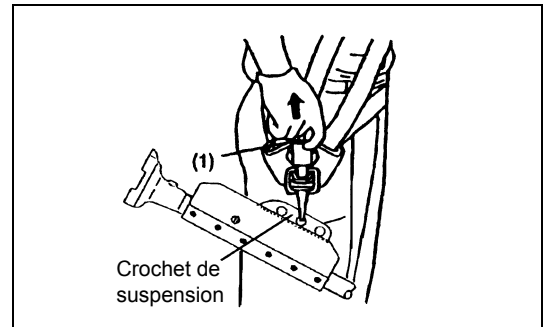
- Réglez la longueur de la sangle pour que la lame reste parallèle au sol.



Détachement

- En cas d'urgence, retirez le levier de détachement d'urgence (1) en le tirant fortement d'un doigt. L'appui de la machine se détache du corps.
Prenez garde de conserver le contrôle de la machine à ce moment-là. Ne laissez pas la machine dévier vers vous ou vers une personne se trouvant à proximité du lieu de travail.

AVERTISSEMENT : En perdant le contrôle de la machine, vous risquez de provoquer de graves blessures ou la MORT.



Mise en marche

Respectez la législation afférente à la prévention des accidents !

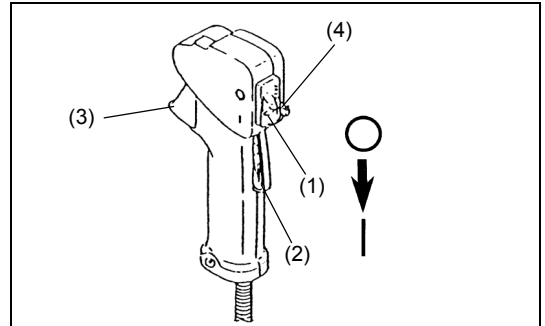


Démarrage

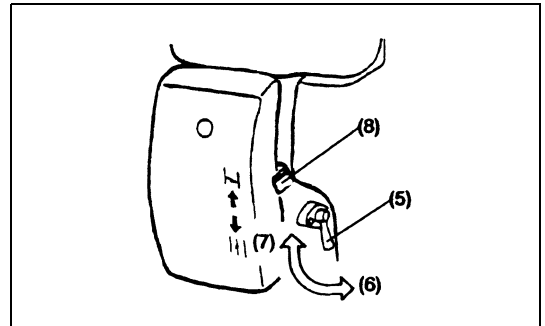
Éloignez-vous d'au moins 3 mètres de l'endroit où vous avez fait le plein. Déposez la débroussailleuse dans un endroit propre, en veillant à ce que l'outil de coupe ne touche pas le sol ni tout autre objet.

Démarrage à froid

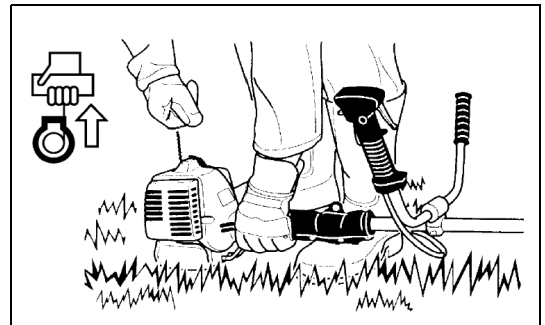
- Poussez l'interrupteur I-O (1) dans le sens indiqué par la flèche.
- Agrippez la poignée (la pression de la main active le levier de verrouillage de sécurité (2)).
- Appuyez sur le levier d'accélération (3) et maintenez-le vers le bas.
- Appuyez sur le bouton de verrouillage (4) et libérez le levier de manœuvre, puis le bouton de verrouillage (le bouton de verrouillage maintient le levier d'accélération en position de démarrage).



- D'abord, placez l'équipement sur le sol.
- Ouvrez le robinet à essence. Le robinet s'ouvre lorsque le levier (5) est perpendiculaire au sol (6). Il se referme lorsque le levier est parallèle au sol (7).
- Ramenez le levier de l'étrangleur (8) en position haute (↕).



- Maintenez fermement le carter d'engrenage avec votre main gauche, comme illustré.
- Tirez doucement la poignée du démarreur jusqu'à ressentir une résistance puis tirez franchement.
- Ne sortez pas complètement le câble du démarreur et ne laissez pas la poignée du démarreur revenir sans la contrôler, mais assurez-vous qu'elle rentre doucement.
- Répétez l'opération jusqu'à entendre le démarrage initial.
- Baissez le levier de l'étrangleur (↕) et tirez de nouveau la corde du démarreur jusqu'à ce que le moteur démarre.
- Une fois le moteur en marche, mettez les gaz immédiatement, libérez le verrouillage à mi-accélération pour faire tourner le moteur au ralenti.
- Faites tourner le moteur pendant environ une minute à vitesse modérée avant de le mettre plein gaz.



Attention durant le fonctionnement :

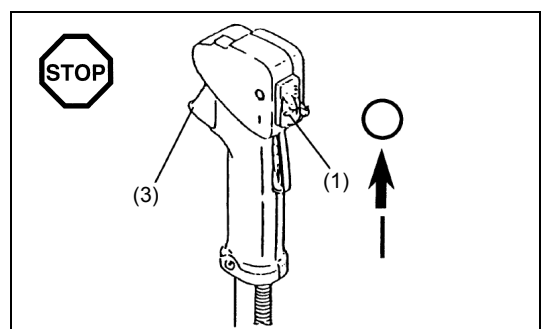
Si le levier d'accélération est complètement ouvert durant un fonctionnement à vide, la rotation du moteur monte à plus de 10 000 tr/min. Ne faites jamais tourner le moteur à une vitesse plus élevée que nécessaire, ou à une vitesse d'environ de 6 000 à 8 000 tr/min.

Démarrage à chaud

- Même procédure que celle ci-dessus, sans bouger le levier de l'étrangleur (qui reste en position basse).

Arrêt

- Relâchez entièrement le levier de manœuvre (3), et lorsque la vitesse de rotation du moteur a diminué, appuyez sur l'interrupteur I-O (1) en position « O », et le moteur s'arrêtera.

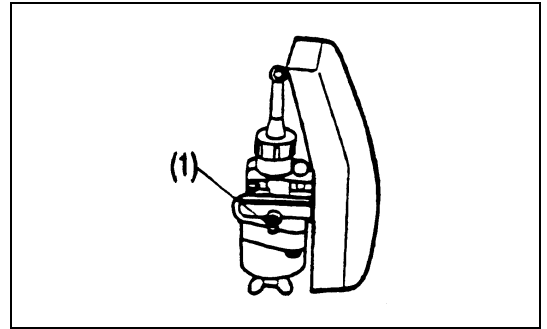


RÉGLAGE DU RALENTI

La lame ou la tête à fils de nylon ne doit pas tourner quand le levier de manœuvre est complètement libéré.
Si nécessaire, réglez les tours/minutes en utilisant la vis de réglage du ralenti.

Vérification de la vitesse du ralenti

- La vitesse de ralenti doit être réglée sur 2 600 tr/min.
Si nécessaire, corrigez-la avec la vis de réglage du ralenti (la lame ou la tête à fils de nylon ne doit pas tourner quand le moteur est au ralenti).
Si vous la vissez (1), la vitesse du moteur monte, alors que si vous la dévissez, la vitesse diminue.



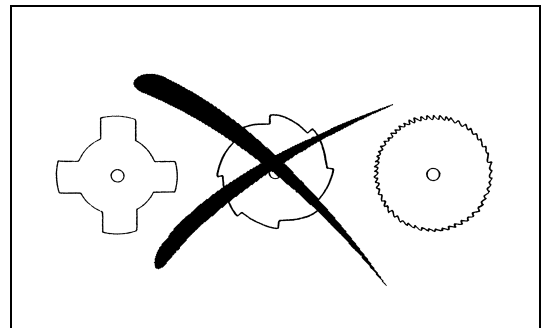
Réaffûtage de l'outil de coupe

ATTENTION : Les outils de coupe mentionnés ci-dessous doivent être réaffûtés par une installation agréée. Un réaffûtage manuel entraînera des déséquilibres de la lame qui causeront des vibrations et endommageront l'équipement.

- lame (en étoile [4 dents], en tourbillon [8 dents], scie)

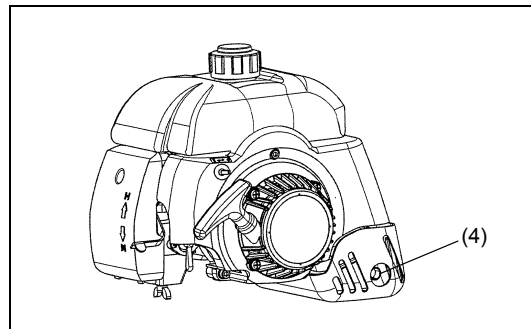
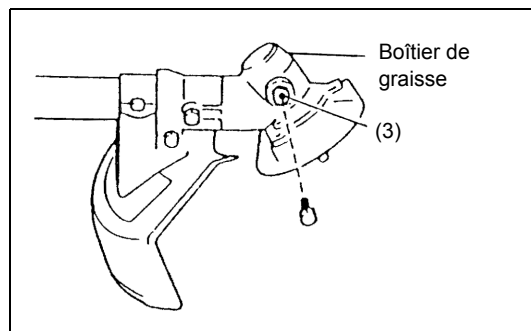
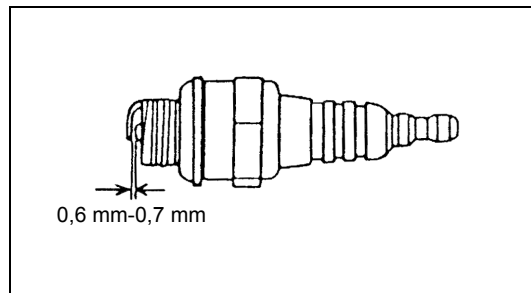
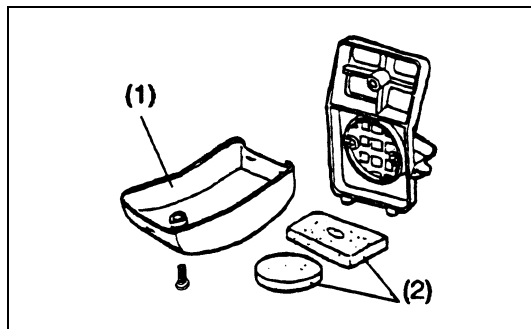
Un réaffûtage professionnel et un service d'équilibrage sont fournis par les agents de réparation agréés.

REMARQUE : Pour augmenter la durée de vie de la lame (en étoile, en tourbillon, scie), vous pouvez la retourner une fois, jusqu'à ce que les deux bords de coupe soient émoussés.



Programme d'entretien

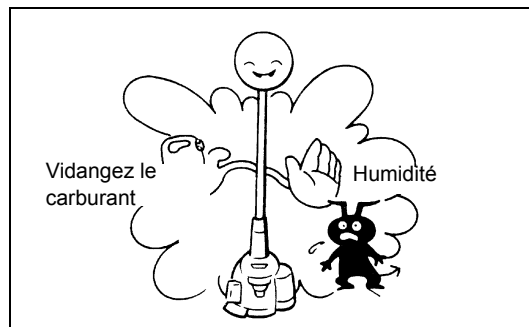
1. Avant le fonctionnement, faites bien attention au serrage de la lame ou de la tête à fils de nylon.
Vérifiez les boulons et les écrous et resserrez-les si nécessaire. Toutes les 8 heures (quotidiennement)
2. Inspectez le passage d'air de refroidissement et les ailerons du cylindre à la recherche d'éventuelles obstructions. Nettoyez-les si nécessaire. Toutes les 8 heures (quotidiennement)
3. Nettoyage du filtre à air. Toutes les 8 heures (quotidiennement)
 - 1) Retirez le couvercle du filtre à air (1) et nettoyez l'éponge (2).
En présence de saleté ou de poussière excessive, nettoyez le filtre à air. Un filtre à air encrassé rend difficile ou impossible le démarrage du moteur, ou peut en augmenter la vitesse de rotation.
 - 2) Montez l'éponge autour des nervures du boîtier du filtre à air.
4. Inspection des bougies d'allumage. Toutes les 8 heures (quotidiennement)
L'écartement entre les deux électrodes de la bougie doit être compris entre 0,6 et 0,7 mm.
Réglez l'écartement s'il est trop large ou trop étroit.
Si la bougie est obstruée par de la calamine ou encrassée, nettoyez-la complètement ou remplacez-la.
5. Mettez de la graisse dans le carter d'engrenage.
Appliquez de la graisse (SHELL ALVANIA N°3 ou équivalent) dans le carter d'engrenage à travers l'orifice de graissage toutes les 30 heures.
(De la graisse d'origine MAKITA peut être achetée chez votre revendeur MAKITA.)
6. Nettoyage du port d'échappement du silencieux. Toutes les 50 heures (tous les mois)
Si de la calamine obstrue le port d'échappement (4), éliminez-la en la grattant et en tapotant le port avec un tournevis ou un outil analogue.
7. Vérifiez le filtre à carburant. S'il est obstrué, nettoyez-le.
8. Remplacez les lignes de carburant. Toutes les 200 heures (tous les ans)
9. Entretien du moteur. Toutes les 200 heures (tous les ans)
10. Remplacez les tampons et les joints. Lors de chaque remontage du moteur.



Généralités	Assemblage du moteur, vis et écrous	Inspection visuelle, dommages et étanchéité Vérifiez l'état général et la sécurité
Après chaque plein	Levier d'accélération Clé de verrouillage de sécurité Interrupteur marche/arrêt	Vérification du fonctionnement Vérification du fonctionnement Vérification du fonctionnement
Tous les jours	Éponge (filtre à air) Conduite d'air de refroidissement Lame de coupe Ralenti	À nettoyer À nettoyer Recherchez les éventuels dommages et vérifiez l'aiguisage Inspection (l'outil de coupe ne doit pas bouger)
Toutes les semaines	Bougie d'allumage Silencieux	Inspection, remplacez si nécessaire Inspectez, et nettoyez l'ouverture si nécessaire
Tous les trois mois	Tête d'aspiration (filtre à essence) Réservoir de carburant	À remplacer À nettoyer
Procédure de mise hors service	Réservoir de carburant Carburateur	Videz le réservoir de carburant Utilisez jusqu'à ce que le moteur tombe en panne de carburant

Entreposage

- Lorsque la machine va être inutilisée pendant une période prolongée, vidangez le carburant se trouvant dans le réservoir et dans le carburateur, comme suit : vidangez tout le carburant se trouvant dans le réservoir. Mettez-le au rebut correctement et conformément à la législation applicable.
- Démontez la bougie et mettez quelques gouttes d'huile dans son orifice. Ensuite, tirez doucement le démarreur de sorte que l'huile recouvre l'intérieur du moteur, puis serrez la bougie.
- Nettoyez la lame et l'intérieur du moteur et éliminez-en la poussière avec un chiffon imbibé d'huile puis rangez la machine dans un lieu aussi sec que possible.



Détection des pannes

Panne	Système	Observation	Cause
Le moteur ne démarre pas, ou avec difficulté.	Système d'allumage	Bougie d'allumage O.K.	Panne d'alimentation en carburant ou de compression du système, panne mécanique.
		Pas d'allumage	Interrupteur I-O commandé, panne de câblage ou court-circuit, bougie ou connecteur défectueux, module d'allumage défectueux.
	Alimentation en carburant	Réservoir plein de carburant	Position incorrecte de l'étrangleur, carburateur défectueux, ligne d'alimentation en carburant courbée ou bloquée, carburant encrassé.
	Compression	Pas de compression lors de la mise en route.	Joint statique inférieur du cylindre défectueux, joints d'étanchéité du vilebrequin endommagés, cylindre ou segments de piston défectueux ou mauvaise étanchéité des bougies.
	Panne mécanique	Le démarreur ne fonctionne pas.	Ressort du démarreur cassé, pièces cassées à l'intérieur du moteur.
Problèmes de démarrage à chaud		Réservoir plein, bougie d'allumage en place	Carburateur contaminé, doit être nettoyé.
Le moteur démarre mais s'éteint immédiatement.	Alimentation en carburant	Réservoir plein.	Mauvais réglage du ralenti, carburateur contaminé. Évent du réservoir défectueux, ligne d'alimentation en carburant interrompue, câble ou interrupteur I-O défectueux
Performances insuffisantes	Plusieurs systèmes peuvent être simultanément affectés	Mauvais ralenti du moteur	Filtre à air contaminé, carburateur contaminé, silencieux bouché, conduit d'échappement dans le cylindre bouché

Makita Corporation
Anjo, Aichi, Japan

www.makita.com

884960-367

ALA

Free Manuals Download Website

<http://myh66.com>

<http://usermanuals.us>

<http://www.somanuals.com>

<http://www.4manuals.cc>

<http://www.manual-lib.com>

<http://www.404manual.com>

<http://www.luxmanual.com>

<http://aubethermostatmanual.com>

Golf course search by state

<http://golfingnear.com>

Email search by domain

<http://emailbydomain.com>

Auto manuals search

<http://auto.somanuals.com>

TV manuals search

<http://tv.somanuals.com>