

Model No. ▶ CC300D (CC01*1)

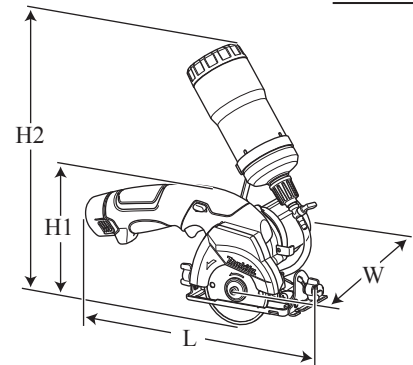
Description ▶ Cordless Cutter 85mm (3-3/8")

*1 Model number for North and Central American countries

CONCEPT AND MAIN APPLICATIONS

Model CC300D (CC01*1) is an 85mm (3-3/8") Cordless cutter powered by 10.8V-1.3Ah Li-ion battery BL1013 (BL1014*2), featuring:

- Compact and light weight design for high maneuverability and easy handling
- Large water supply tank cap offers user easy opening and refilling water.



Dimensions: mm (")	
Length (L)	300 (11-3/4)
Width (W)	170 (6-11/16)
Height 1 (H1)	154 (6-1/16)
Height 2 (H2)	302 (11-7/8)

This product is available in the following variations.

Model No.	Battery		Charger	Diamond wheel	Housing color	Offered to
	type	quantity				
CC300DZ	No	No	No	Yes	Makita blue	All countries except North and Central American countries
CC300DW	BL1013	1	DC10WA			
CC300DWE		2				
CC01Z	No	No	No	Yes	Makita blue	North and Central American countries
CC01ZW					white	
CC01	BL1014	2	DC10WB		Makita blue	
CC01W					white	

► Specification

Battery	Voltage: V	10.8 (10.8/12V max*2)	
	Capacity: Ah	1.3	
	Energy capacity: Wh	14	
	Cell	Li-ion	
	Charging time (approx.): min.	50 with DC10WA (DW10WB*2)	
Max. output: W		130	
No load speed: rpm= min. ⁻¹		1,400	
Size of wheel: mm (")	Diameter	85 (3-3/8)	
	Hole diameter	15 (9/16)	
Max. cutting capacities *3: mm (")	at 0°	25.5 (1)	
	at 45°	16.5 (5/8)	
Tank capacity: ml		500	
Weight according to EPTA-Procedure 01/2003*4: kg (lbs)		1.7 (3.7)	

*2 Li-ion battery BL1014 for North and Central American countries *3 With 85mm (3-3/8") diamond wheel

*4 With battery, diamond wheel and water supply tank

► Standard equipment

- Diamond wheel 85mm 1
- Hex wrench 4 1
- Water supply tank ass'y 1

Note: The standard equipment for the tool shown above may vary by country.

► Optional accessories

Guide rule, 85mm Diamond wheels, Charger DC10WA, Li-ion battery BL1013, (Charger DC10WB and Li-ion battery BL1014 for North and Central American countries)

► Repair

CAUTION: Repair the machine in accordance with “Instruction manual” or “Safety instructions”.

[1] NECESSARY REPAIRING TOOLS

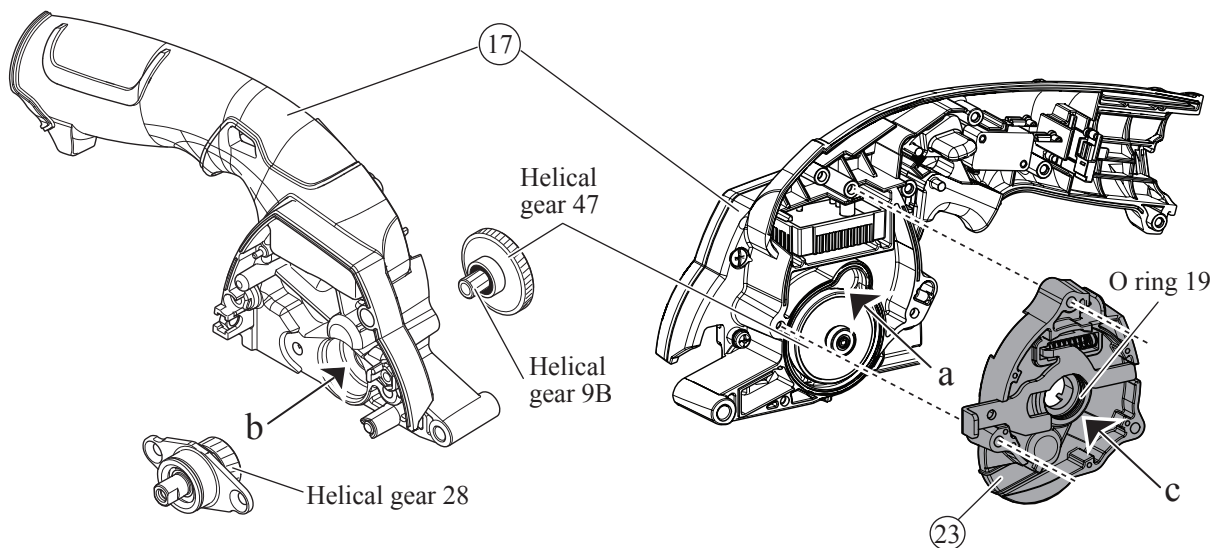
Code No.	Description	Use for
1R027	Bearing setting pipe 18-10.2	assembling Ball bearing 606ZZ, Helical gear 28
1R028	Bearing setting pipe 20-12.2	assembling Helical gear 47
1R035	Bearing setting plate 10.2	holding Helical gear 28 when removing Spindle from the Gear
1R037	Bearing setting plate 20.2	holding Helical gear 47 when removing Helical gear 9B
1R217	Ring 22	holding Bearing box when removing Spindle from Baring box
1R269	Bearing extractor	removing Ball bearing 606ZZ
1R278	Round bar for Arbor 4-50	removing Ball bearing 604ZZ and Helical gear 9B from Helical gear 47
1R282	Round bar for Arbor 8-50	removing Helical gear 28 together with Spindle from Bearing box
1R356	Bearing plate 10mm	holding Ball bearing 604ZZ when removing Helical gear 47
1R361	Bearing retainer wrench	removing / assembling Bearing retainer 14-23

[2] LUBRICATIONS

Apply the following lubricant to protect parts and product from unusual abrasion.

Item No.	Description	Portion to lubricate	Lubricant	Amount
⑰	Handle (R)	a. Gear room for Helical gear 47	Makita grease N No.1 ▼	3g
		b. Gear room for Helical gear 28 and Helical gear 9B		1g
⑳	Gear housing complete	c. O ring 19 of Gear housing complete		a little

Fig. 1



► **Repair**

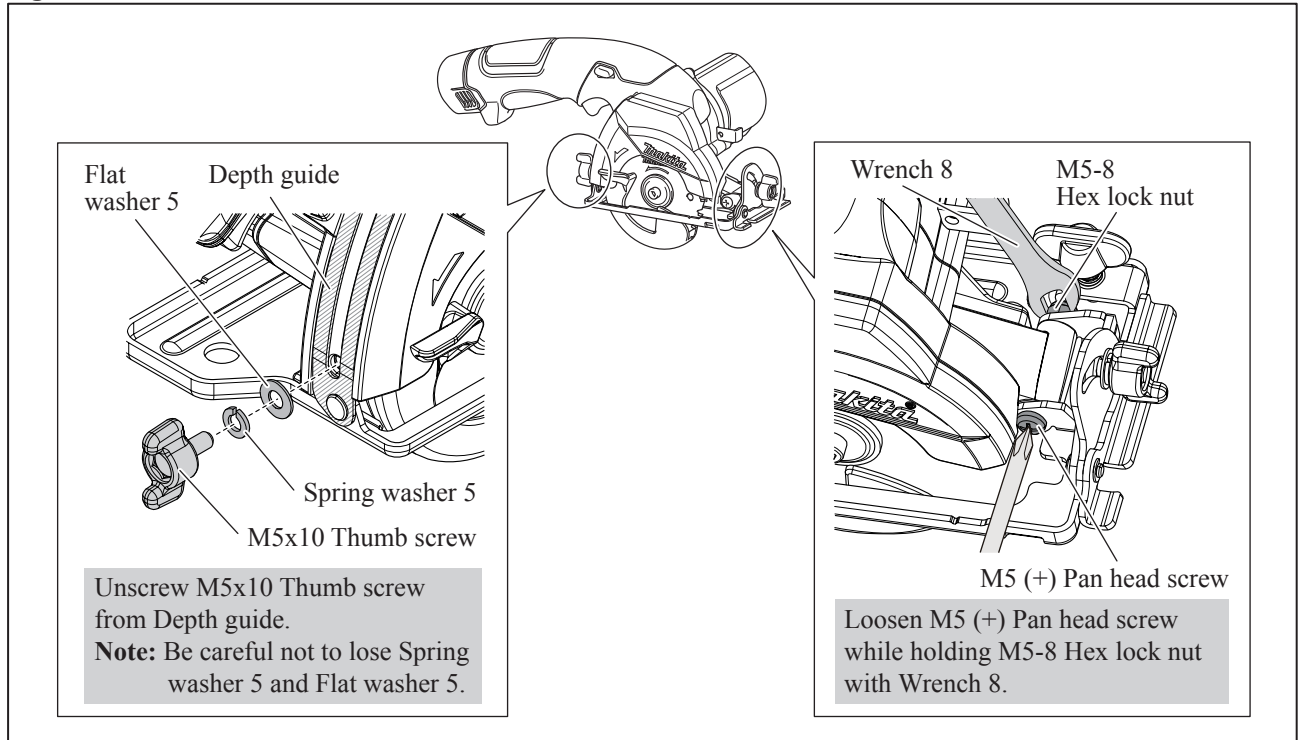
[3] DISASSEMBLY/ASSEMBLY

[3]-1. Base

DISASSEMBLING

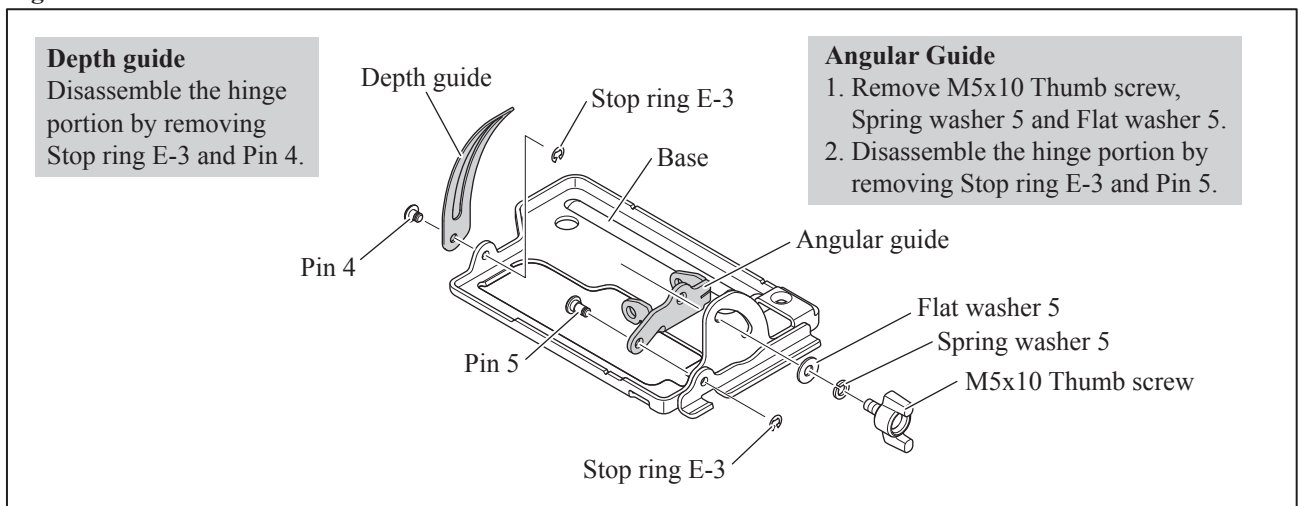
- (1) The machine is fixed to Base assembly with M5x10 Thumb screw at the rear side, and with M5 (+) Pan head screw and M5-8 Hex nut at the front side. Separate the machine from Base assembly. **(Fig. 2)**

Fig. 2



- (2) Remove Angular guide and Depth guide. **(Fig. 3)**
Base can be now replaced with new one.

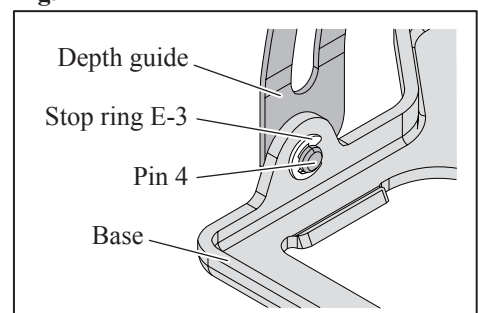
Fig. 3



ASSEMBLING

- (1) Fix Depth guide to Base with Pin 4 through Depth guide and Base from the external side. Secure them with Stop ring E-3. **(Fig. 4)**
 (2) Fix Angular guide to Base with Pin 5 through Angular guide and Base from the internal side. Secure them with Stop ring E-3. **(Fig. 3)**
 (3) Fix M5x10 Thumb screw through Spring washer 5 and Flat washer 5 to Base and Angular guide. **(Fig. 3)**
 (4) Assemble Base to the machine. **(Fig. 2)**

Fig. 4



► **Repair**

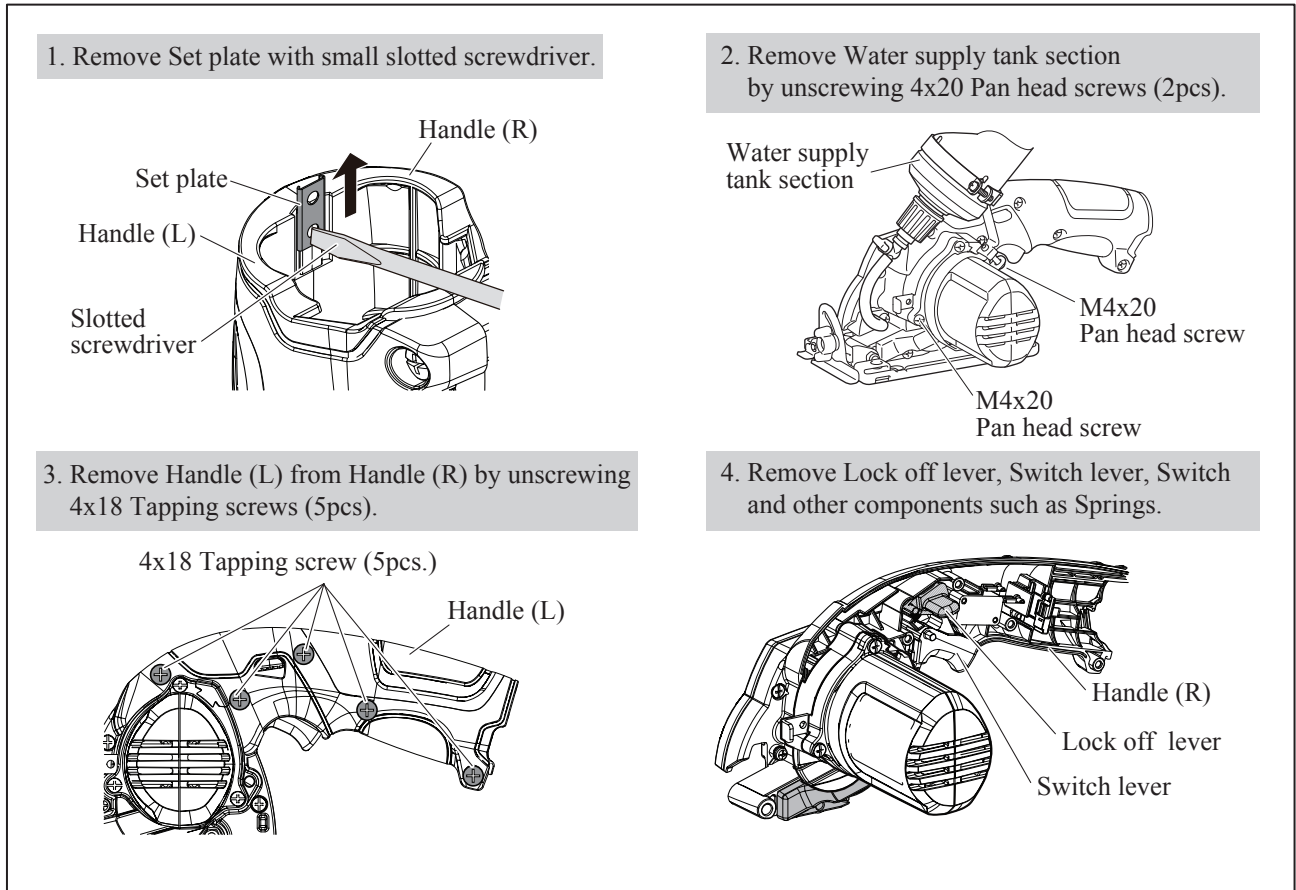
[3] DISASSEMBLY/ASSEMBLY

[3]-2. Switch lever, Lock off lever

DISASSEMBLING

- (1) Remove Base from the machine by unscrewing M5x10 Thumb screw on the rear side and M5 (+) Pan head screw and M5-8 Hex nut on the front side. **(Fig. 2)**
- (2) Remove Set plate, Water supply tank section and Handle (L) from the machine. Now, Lock off lever and Switch lever can be removed. **(Fig. 5)**

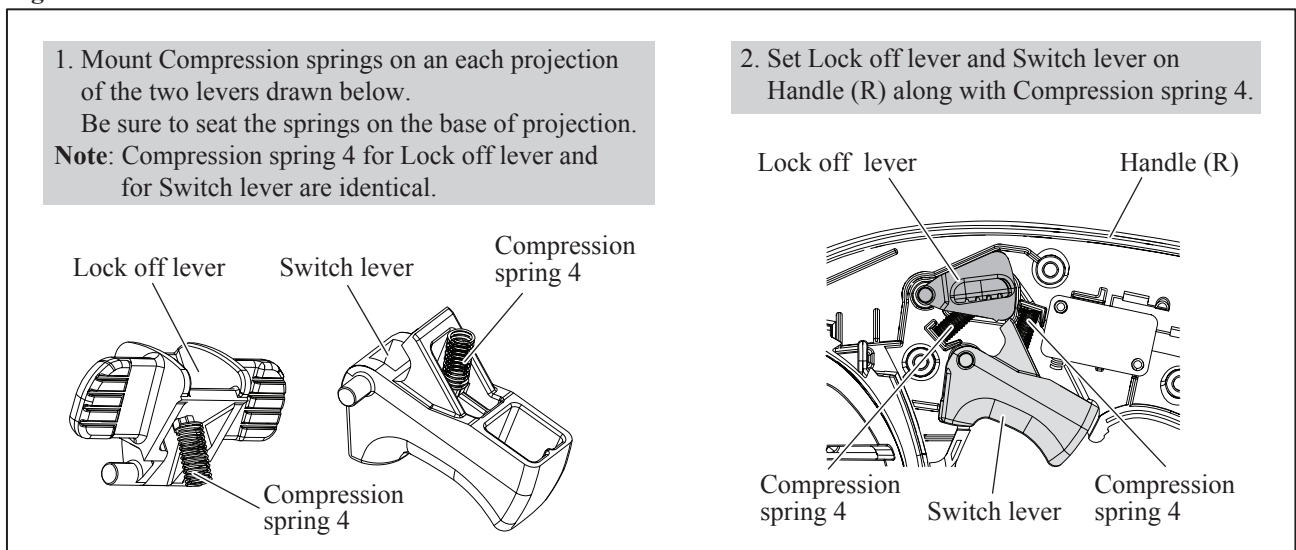
Fig. 5



ASSEMBLING

- (1) Assemble lock off lever and Switch lever to Handle (R). **(Fig. 6)**

Fig. 6



- (2) Fasten Handle (L) to Handle (R) by screwing 4x18 Tapping screws (5pcs). **(Fig. 5)**

► Repair

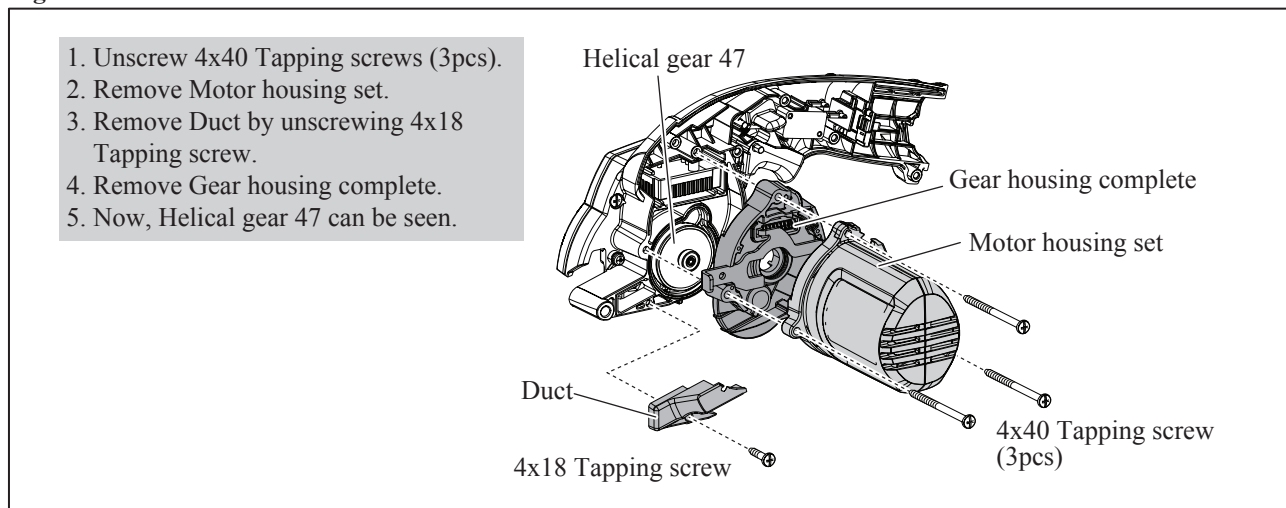
[3] DISASSEMBLY/ASSEMBLY

[3]-3. Helical gear 47, Helical gear 9B, Ball bearings

DISASSEMBLING

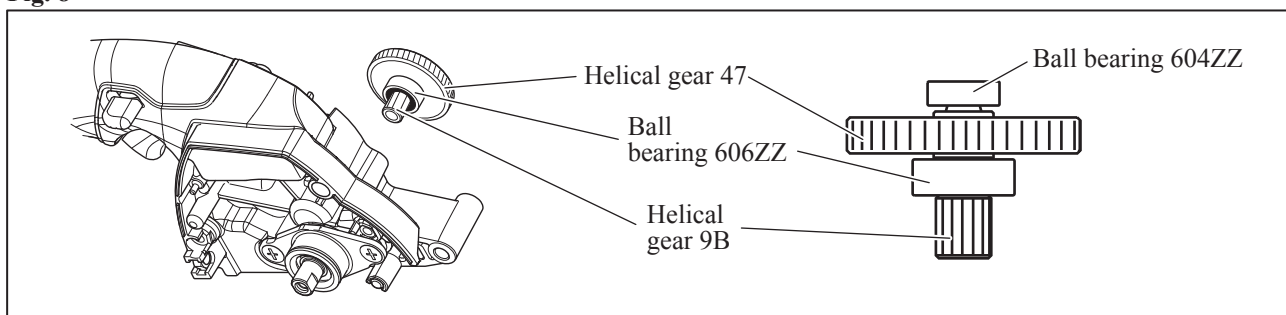
- (1) Remove Handle (L). (Fig. 5)
- (2) Remove Motor housing, Gear housing and Duct. (Fig. 7)

Fig. 7



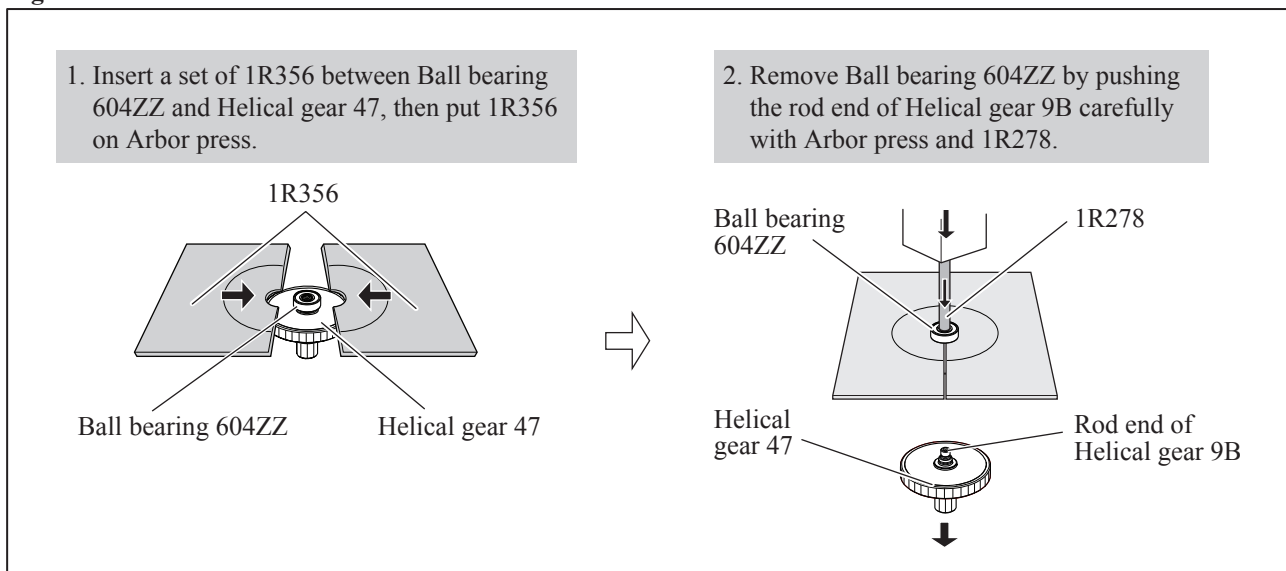
- (3) Remove Helical gear 47. (Fig. 8)

Fig. 8



- (4) Disassemble Ball bearing 604ZZ from Helical gear 47. (Fig. 9)

Fig. 9



► **Repair**

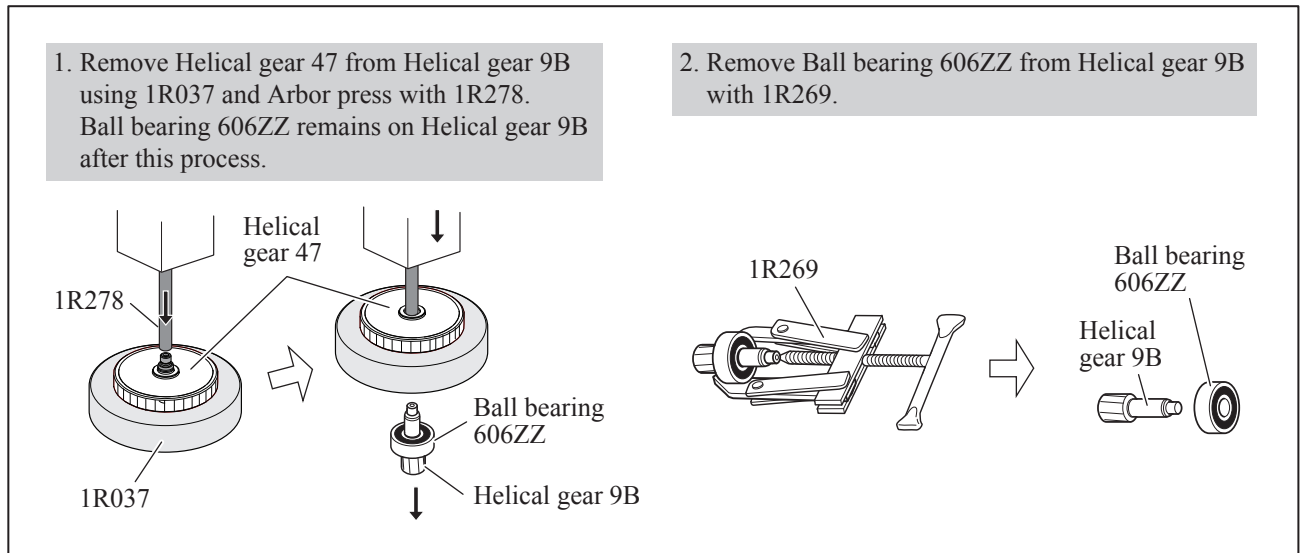
[3] DISASSEMBLY/ASSEMBLY

[3]-4. Helical gear 47, Helical gear 9B, Ball bearings (cont.)

DISASSEMBLING

(5) Helical gear 47 section can be disassembled. (Fig. 10)

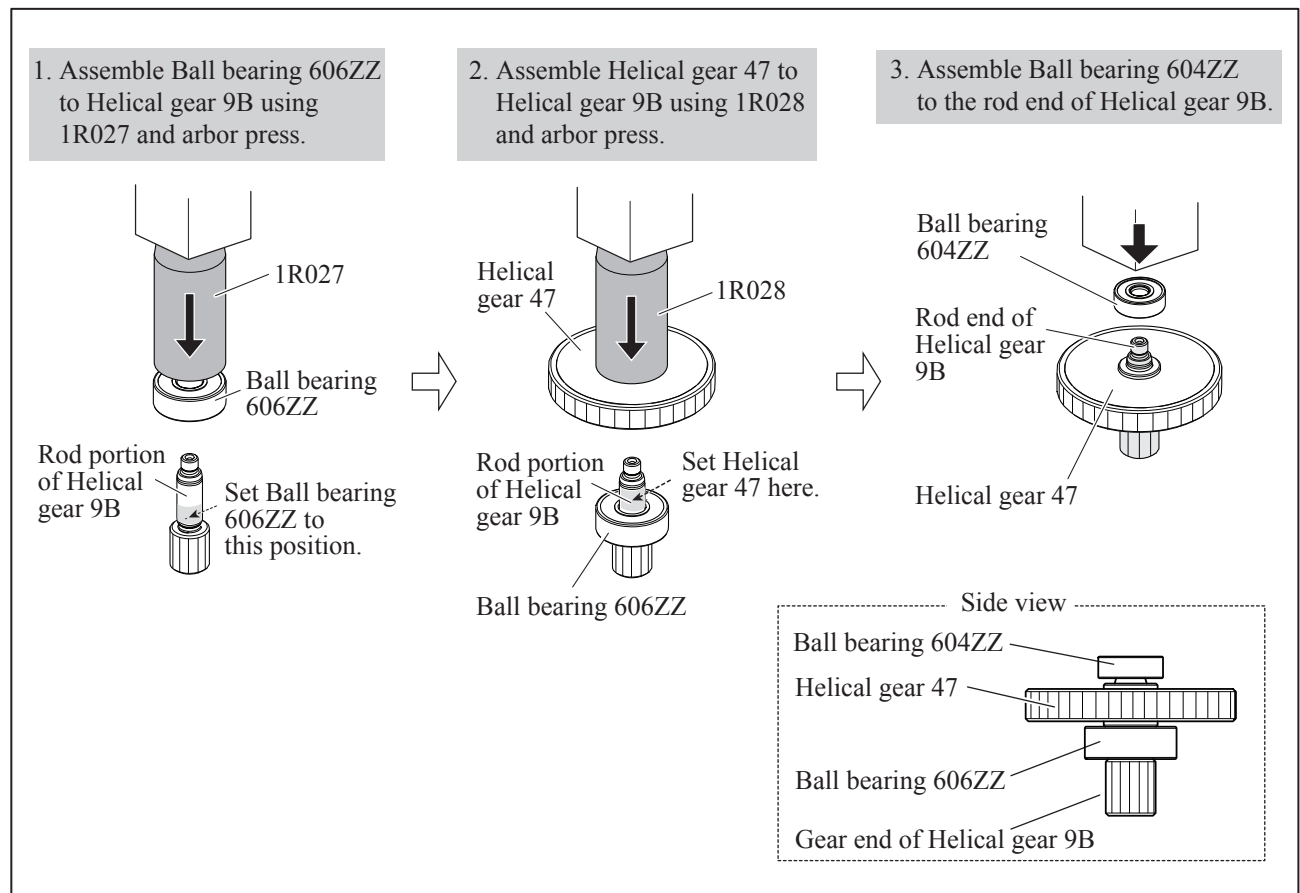
Fig. 10



ASSEMBLING

(1) Assemble Ball bearings and Helical gear 47 to Helical gear 9B. (Fig. 11)

Fig. 11



(2) Do the reverse step of Disassembling. (Fig. 8)

► **Repair**

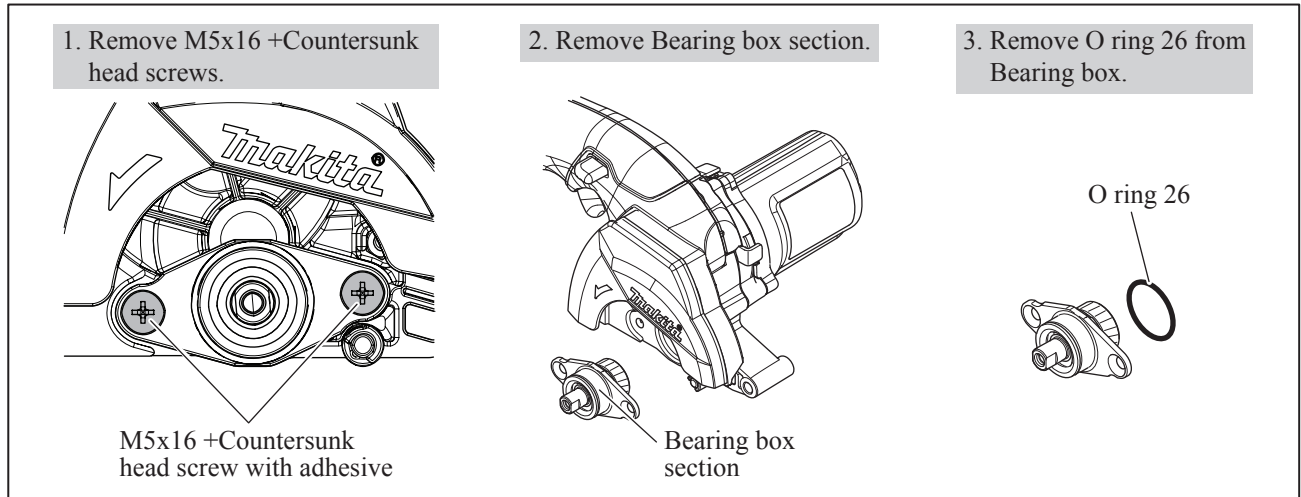
[3] DISASSEMBLY/ASSEMBLY

[3]-5. Helical gear 28, Ball bearing 6900DDW

DISASSEMBLING

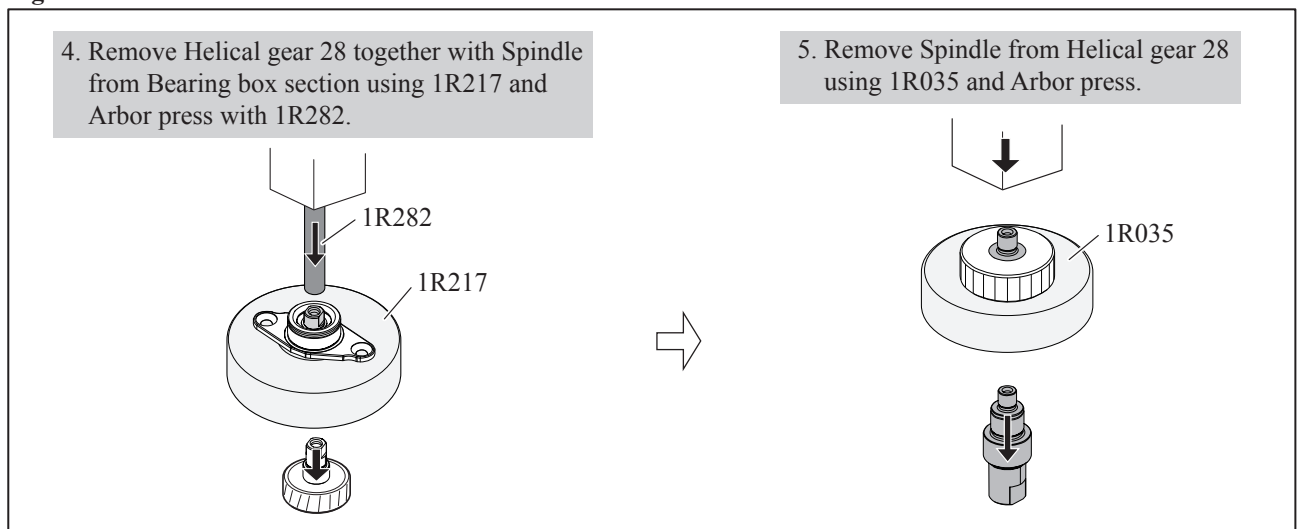
(1) Disassemble Bearing box section. (Fig. 12)

Fig. 12



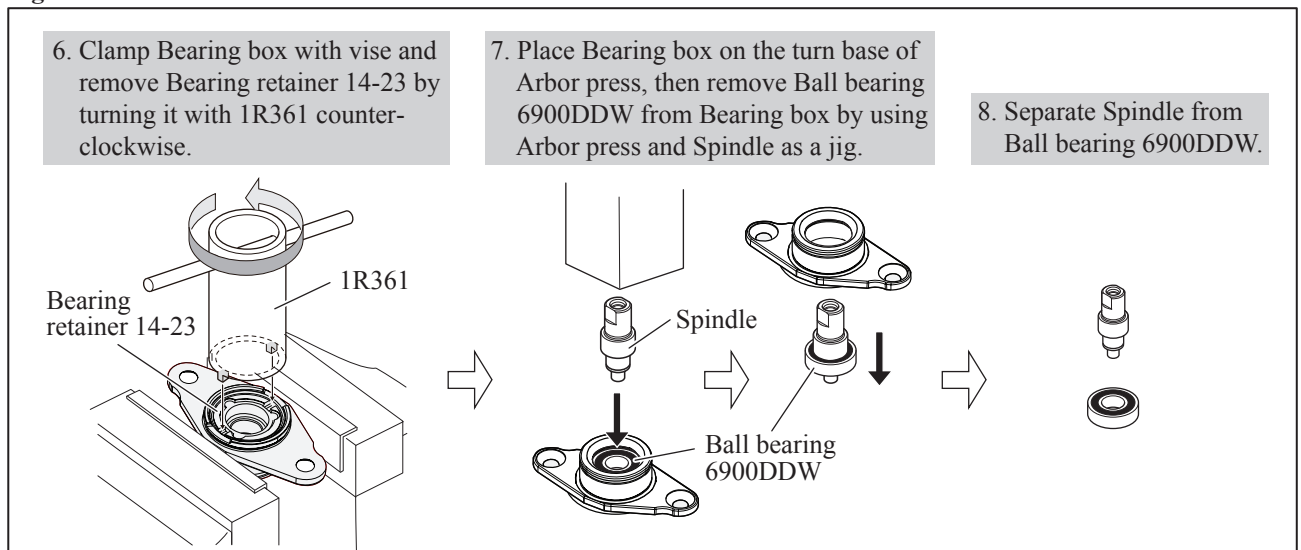
(2) Remove Helical gear 28 and Spindle from Bearing box. (Fig. 13)

Fig. 13



(3) Disassemble Bearing retainer 14-23 and Ball bearing 6900DDW. (Fig. 14)

Fig. 14



► **Repair**

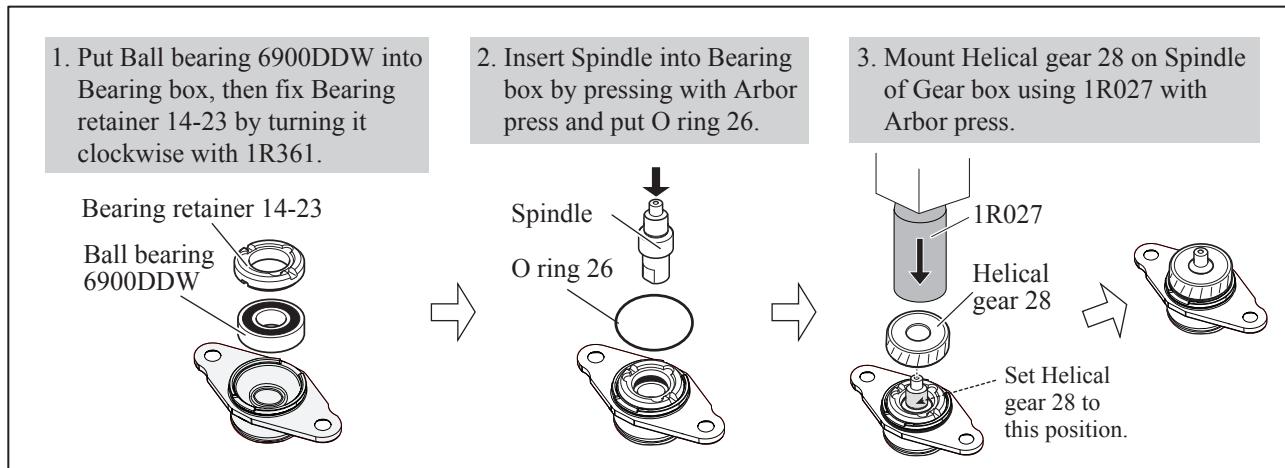
[3] DISASSEMBLY/ASSEMBLY

[3]-5. Helical gear 28, Ball bearing 6900DDW (cont.)

ASSEMBLING

(1) Assemble Bearing retainer 14-23, Ball bearing 6900DDW, Spindle and Helical gear 28. (Fig. 15)

Fig. 15



(2) Mount Bearing box section to Housing (R) by fixing with M5x16 (+) Countersunk head screws. (Fig. 12)

Note: Two M5x16 (+) Countersunk head screws are with threadlocker. Therefore, when re-using them, apply ThreeBond 1342 or Loctite 242 to the threads.

[3]-6. DC motor

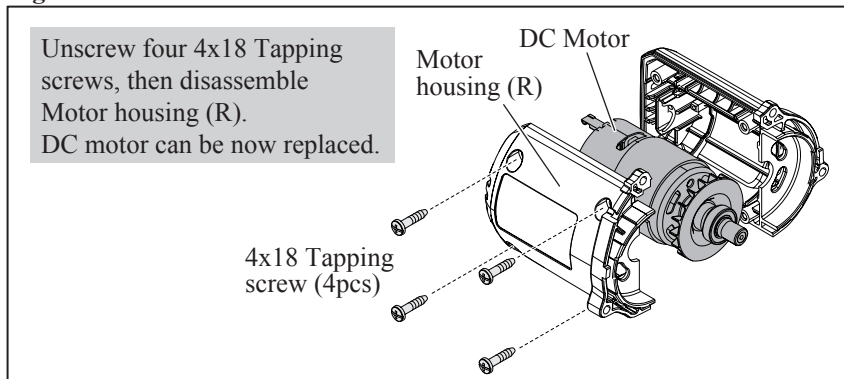
DISASSEMBLING

- (1) Remove Motor housing after disassembling of Handle (L). (Fig. 7)
- (2) Remove DC motor from Motor housing. (Fig. 16)

ASSEMBLING

Take the reverse step of Disassembling.

Fig. 16



[3]-7. Water supply tank

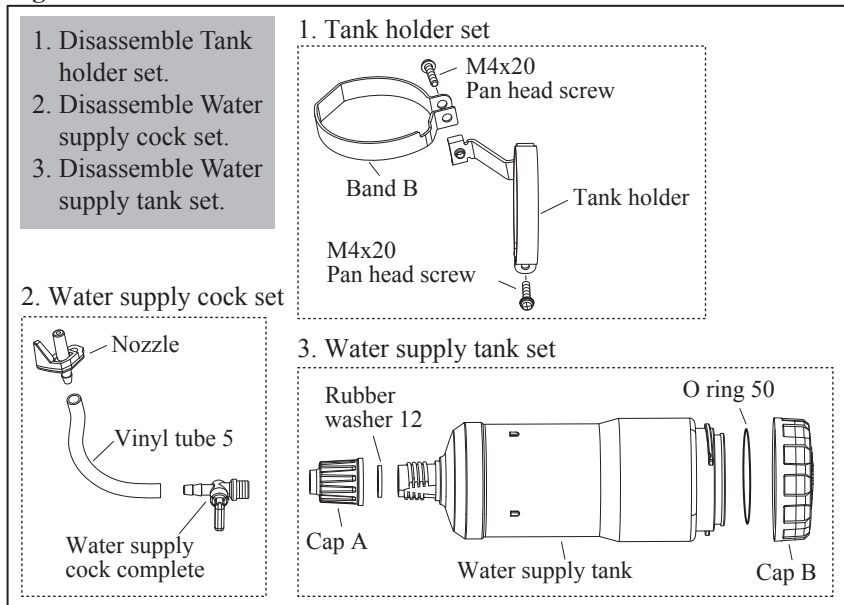
DISASSEMBLING

Disassemble removed Water supply tank section. (Fig. 5, 17)

ASSEMBLING

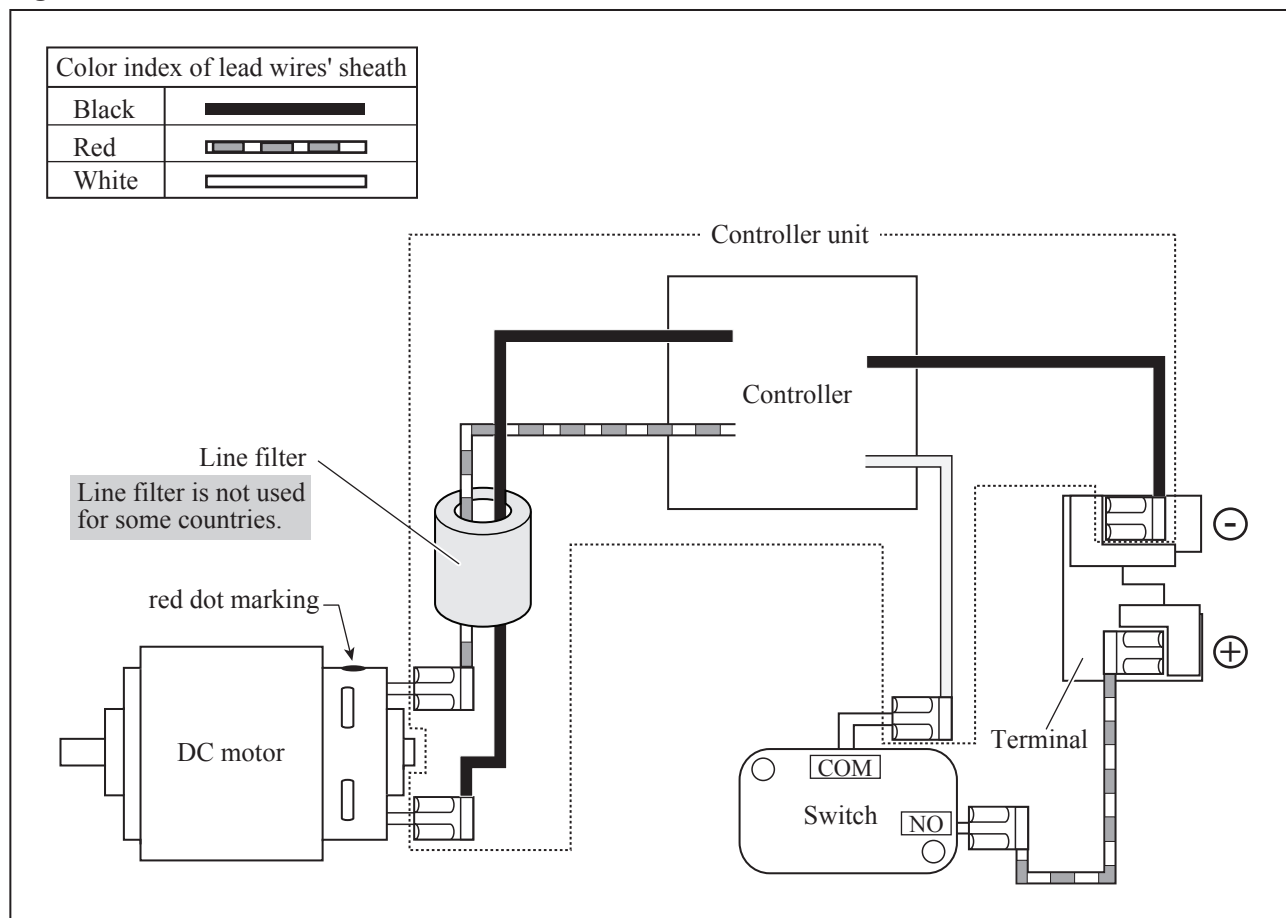
Take the reverse step of Disassembling.

Fig. 17



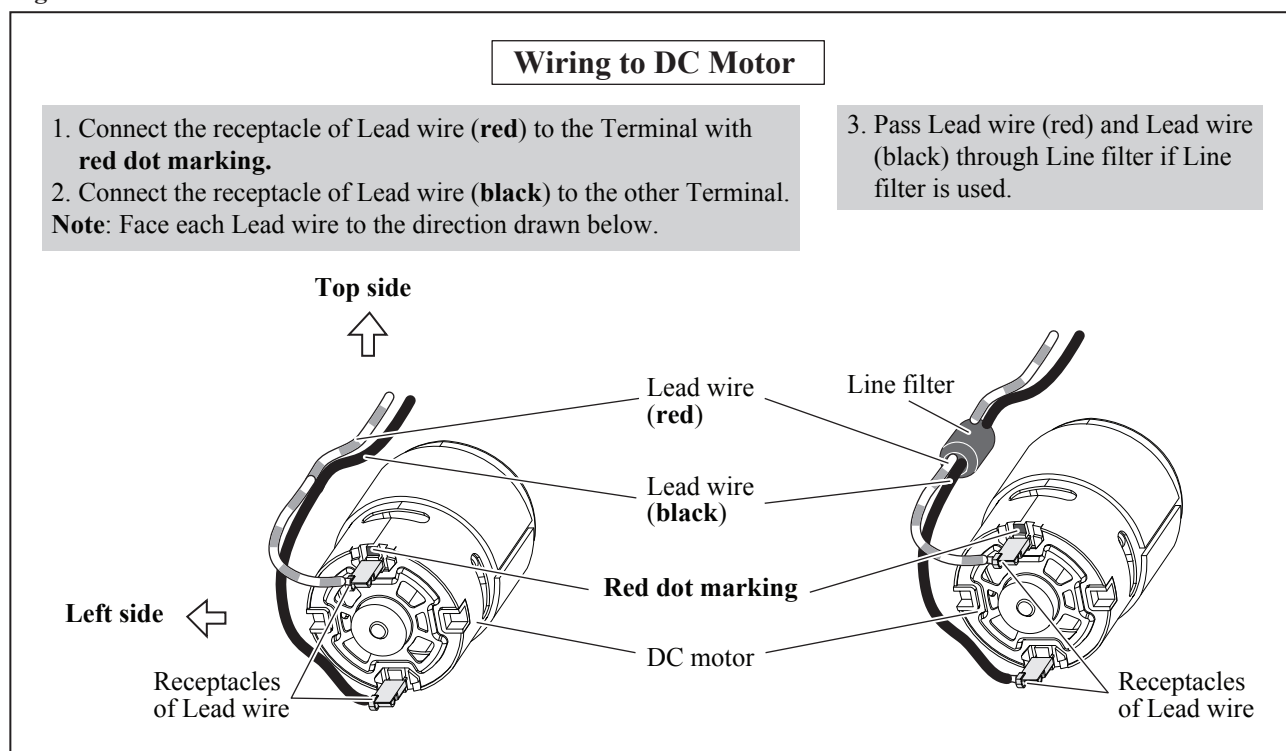
▶ Circuit diagram

Fig.D-1



▶ Wiring diagram

Fig.D-2



► **Circuit diagram (cont.)**

Fig.D-3

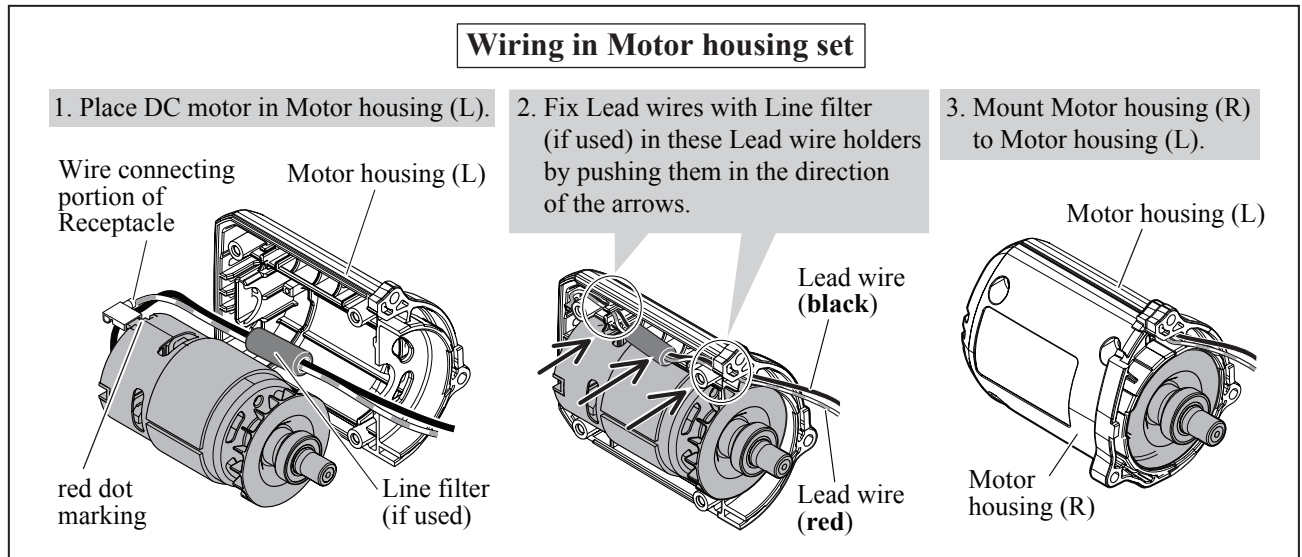


Fig.D-4

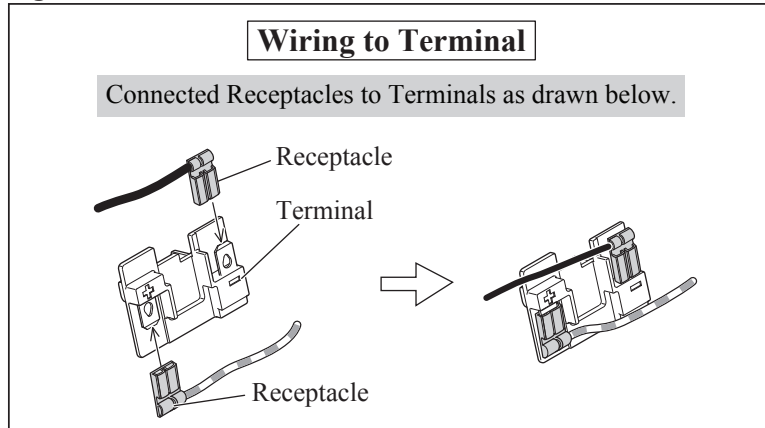


Fig.D-5

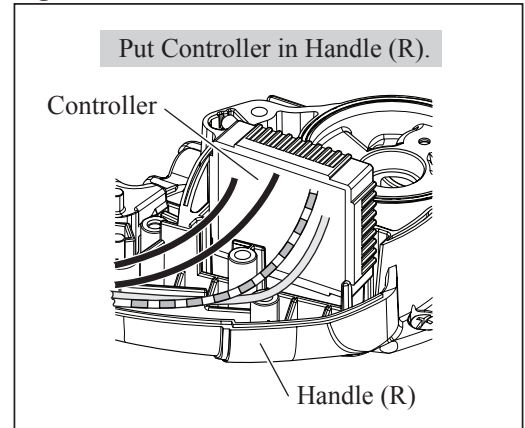
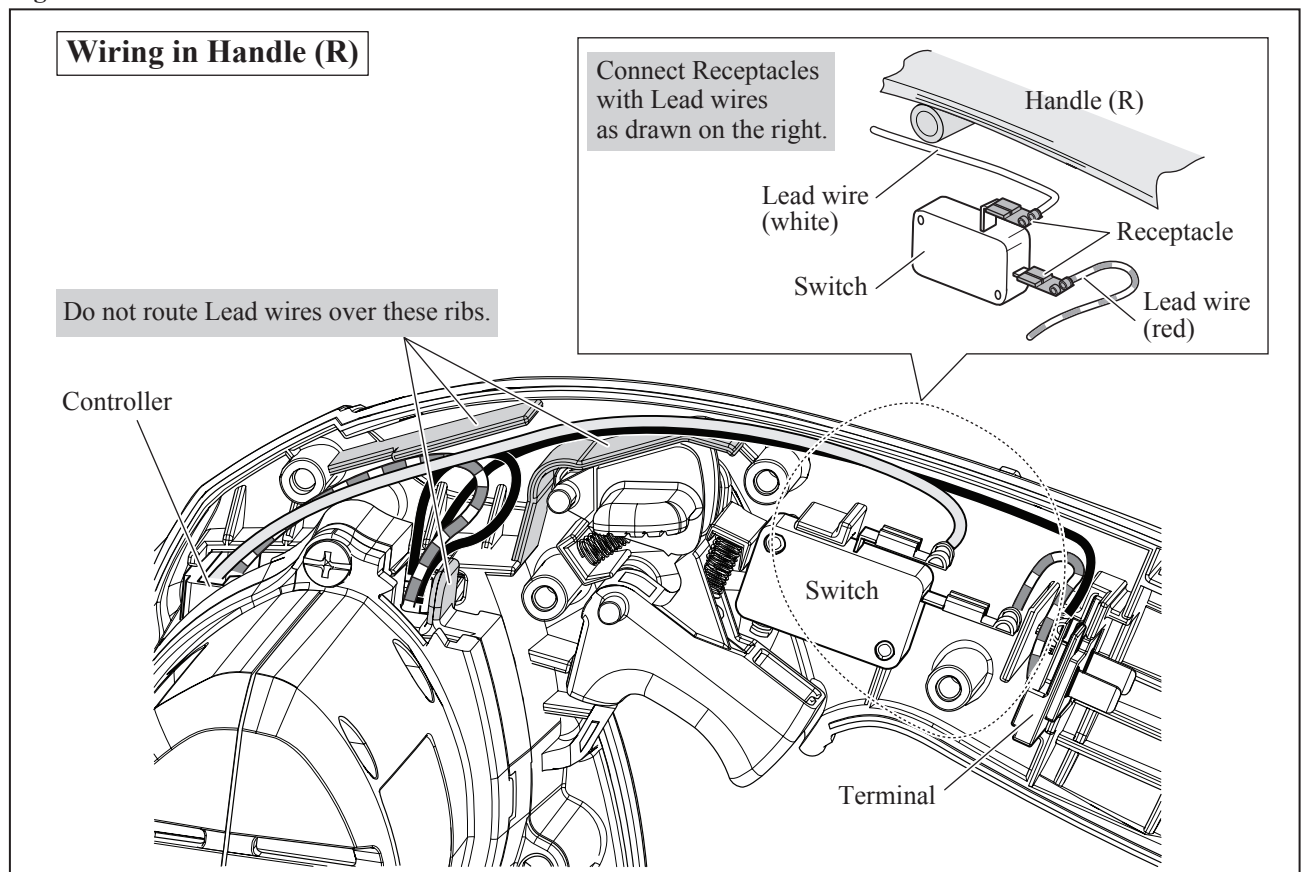


Fig.D-6



Free Manuals Download Website

<http://myh66.com>

<http://usermanuals.us>

<http://www.somanuals.com>

<http://www.4manuals.cc>

<http://www.manual-lib.com>

<http://www.404manual.com>

<http://www.luxmanual.com>

<http://aubethermostatmanual.com>

Golf course search by state

<http://golfingnear.com>

Email search by domain

<http://emailbydomain.com>

Auto manuals search

<http://auto.somanuals.com>

TV manuals search

<http://tv.somanuals.com>