



## **Owner's and Safety Manual for Gasoline Chain Saws** (page 2 - 32)

## **Manuel d'emploi et de sécurité de tronçonneuses thermiques** (page 33 - 63)



**DCS430, DCS431  
DCS520, DCS520i  
DCS540  
DCS5200, DCS5200i**

### **WARNING!**

**Read and understand this Manual. Always follow safety precautions in the Owner's and Safety Manual.  
Improper use can cause serious injury!**

**The engine exhaust from this product contains chemicals known to the State of California to cause cancer, birth defects or other reproductive harm. Preserve this Manual carefully!**

### **ATTENTION!**

**Suivez toujours les conseils de sécurité du présent manuel d'emploi et de sécurité. Une utilisation incorrecte de la tronçonneuse peut entraîner des blessures graves! Conservez avec soin ce manuel!  
Les gaz d'échappement émis par ce produit contiennent des produits chimiques connus par l'Etat de Californie pour provoquer le cancer, des défauts de naissance ou autres dommages de reproduction.  
Lisez et comprenez ce manuel.**

## **EMISSIONS COMPONENT DEFECT WARRANTY COVERAGE**

MAKITA U.S.A, Inc warrant to the initial retail purchaser and each subsequent owner, that this utility equipment was designed, built, and equipped to conform at the time of initial sale to all applicable regulations of the U.S.

Environmental Protection Agency (EPA), and that the engine is free of defects in materials and workmanship which would cause this engine to fail to conform with EPA regulations during its warranty period.

For the components listed under PARTS COVERED, the service dealer authorized by MAKITA will, at no cost to you, make the necessary diagnosis, repair, or replacement necessary to ensure that the engine complies with applicable U.S. EPA regulations.

## **EMISSION COMPONENT DEFECT WARRANTY PERIOD**

The warranty period for this engine begins on the date of sale to the initial purchaser and continues for a period of 2 years.

## **PARTS COVERED**

Listed below are the parts covered by the Emission Components Defect Warranty. Some of the parts listed below may require scheduled maintenance and are warranted up to the first scheduled replacement point for that part.

### **Fuel Metering System**

Carburetor and internal parts  
Fuel filter, if applicable  
Throttle stopper, if applicable  
Choke System, if applicable

### **Ignition System**

Spark plugs  
Flywheel Magneto  
Ignition Coil

### **Air Induction System**

Pre filter, if exist  
Air filter, Air cleaner case, Intake manifold

### **Miscellaneous Items Used in Above Systems**

Fuel hoses, clamps and sealing gaskets

## **OBTAINING WARRANTY SERVICE**

To obtain warranty service, take your engine to the nearest MAKITA Factory Service Center or service Center authorized by MAKITA. Bring your sales receipts indicating date of purchase for this engine. The dealer of service authorized by MAKITA will perform the necessary repairs or adjustments within a reasonable amount of time and furnish you with a copy of the repair order. All parts and accessories replaced under this warranty become the property of MAKITA.

## **WHAT IS NOT COVERED**

- Conditions resulting from tampering, misuse, improper adjustment (unless they were made by the service dealer authorized by MAKITA during a warranty repair), alteration, accident, failure to use the recommended fuel and oil, or not performing required maintenance services.
- The replacement parts used for required maintenance services.
- Consequential damages such as loss of time, inconvenience, loss of use of the engine or equipment, etc.
- Diagnosis and inspection charges that do not result in warranty-eligible service being performed.
- Any non-authorized replacement part, or malfunction of authorized parts due to use of non-authorized parts.

## **OWNER'S WARRANTY RESPONSIBILITIES**

As the engine owner, you are responsible for the performance of the required maintenance listed in your owner's manual. MAKITA recommends that you retain all receipts covering maintenance on your engine, but MAKITA cannot deny warranty solely for the lack of receipts or for your failure to ensure the performance of all scheduled maintenance. As the engine owner, you should however be aware that MAKITA may deny warranty coverage if your engine or a part has failed due to abuse, neglect, improper maintenance or unapproved modifications.

You are responsible for presenting your engine to the nearest service dealer authorized by MAKITA when a problem exists.

If you have any questions regarding your warranty rights and responsibilities, you should contact the MAKITA Warranty service Department at 1-888-OPE-PART for the information.

## **THINGS YOU SHOULD KNOW ABOUT THE EMISSION CONTROL SYSTEM WARRANTY:**

### **MAINTENANCE AND REPAIRS**

You are responsible for the proper maintenance of the engine. You should keep all receipts and maintenance records covering the performance of regular maintenance in the event questions arise. These receipts and maintenance records should be transferred to each subsequent owner of the engine. MAKITA reserves the right to deny warranty coverage if the engine has not been properly maintained. Warranty claims will not be denied, however, solely because of the lack of required maintenance or failure to keep maintenance records.

MAINTENANCE, REPLACEMENT OR REPAIR OF EMISSION CONTROL DEVICES AND SYSTEMS MAY BE PERFORMED BY ANY REPAIR ESTABLISHMENT OR INDIVIDUAL; HOWEVER, WARRANTY REPAIRS MUST BE PERFORMED BY A SERVICE DEALER AUTHORIZED BY MAKITA. THE USE OF PARTS THAT ARE NOT EQUIVALENT IN PERFORMANCE AND DURABILITY TO AUTHORIZED PARTS MAY IMPAIR THE EFFECTIVENESS OF THE EMISSION CONTROL SYSTEM AND MAY HAVE A BEARING ON THE OUTCOME OF A WARRANTY CLAIM.

If other than the parts authorized by MAKITA are used for maintenance replacements or for the repair of components affecting emission control, you should assure yourself that such parts are warranted by their manufacturer to be equivalent to the parts authorized by MAKITA in their performance and durability.

### **HOW TO MAKE A CLAIM**

All repair qualifying under this limited warranty must be performed by a service dealer authorized by MAKITA. In the event that any emission-related part is found to be defective during the warranty period, you shall notify MAKITA Warranty service Department at 1-888-OPE-PART and you will be advised of the appropriate warranty service dealer or service providers where the warranty repair can be performed.

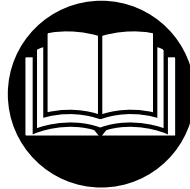
## WARNING !

Careless or improper use of this product can cause serious or even fatal injury.

Before operating a chain saw or other MAKITA products it is important that you read, fully understand and carefully follow the instructions outlined in this owners manual. Kickback may cause severe or fatal injury and is one of many potential dangers in operating a chain saw. Kickback and other safety related precautions are described in detail within this owners manual. Additional owners manuals are available from MAKITA U.S.A., INC., 14930-C Northam Street, La Mirada, CA 90638-5753, USA, Telephone: (714) 522 80 88 and MAKITA CANADA INC., 1950 Forbes Street, Whitby, Ontario, L1N 7B7, Canada, Telephone: (905) 571 22 00.

**This product complies with:** American National Standard Institute B 175.1-1991 chain saw safety standard.  
Canadian Standards Association Z62.1-95 chain saw safety standard.  
Z62.3-96 chain saw kickback standard.  
Society of Automotive Engineers SAEJ 335-Jun 95 „Multiposition small engine exhaust system fire ignition suppression”

With the purchase of this chain saw you have chosen a German quality product. Important instructions for the assembly and operation of this saw are given in this manual. For your own safety, we ask you to read the accident prevention instructions very carefully before putting your chain saw into operation, as incorrect handling can, despite all precautions, lead to accidents. With a little care and attention you will have good service and lasting satisfaction from this first-rate product. The following industrial property rights apply: US 4465440, US 5411382, EP 0236858, EP 0560201, GBM 8710075, GBM 8809928, GBM 9203378, GBM 29616652.



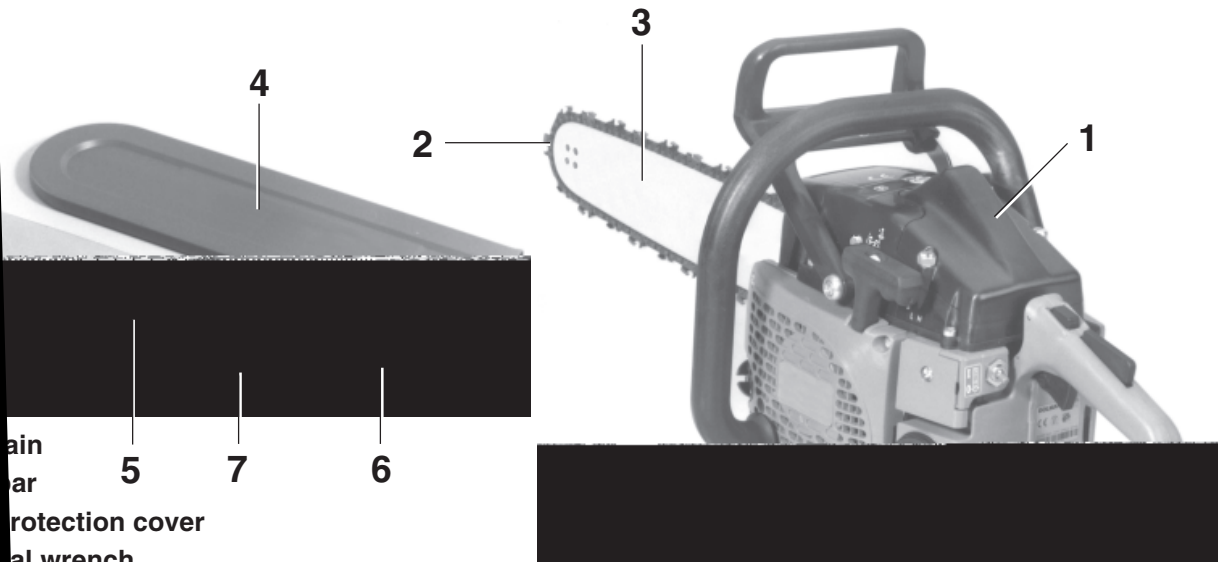
## DCS430, DCS431, DCS520, DCS520i, DCS540, DCS5200, DCS5200i

Contents	Page	Contents	Page
Delivery inventory	4	Sharpening the saw chain	25-26
Symbols	4	Cleaning the guide bar	26
Safety precautions	5-16	Cleaning the brake band and sprocket interior	27
Denomination of components	17	Replacing the saw chain	27
Technical data	18	Replacing the fuel filter	27
Approved bar and chain combinations	18	Replacing / cleaning the spark arrester screen	27
Mounting the guide bar and saw chain	19-20	Cleaning the air filter	28
Chain brake	20	Replacing the spark plug	28
Fuel / Refuelling	21-22	Replacing the starter cable	29
Adjusting the chain lubrication	22	Replacing the return spring	29
Starting the engine	23	Mounting the fan housing	29
Stopping the engine	23	Instructions for daily and periodic maintenance	30
Checking the chain brake	24	Service, spare parts and guarantee	30-31
Checking the chain lubrication	24	Troubleshooting	31
Adjusting the carburetor	24	Extract from the spare parts list	32
Working in winter	25	Adress list	64

The MAKITA DCS430, DCS431, DCS520, DCS520i, DCS540, DCS5200, DCS5200i will be delivered in a protective cardboard box to prevent transport damage. Cardboard is a basic raw material and is consequently reuseable or suitable for recycling (waste paper recycling).



Delivery inventory



Chain  
Bar

Protection cover  
Chain wrench

5

7

6

Screwdriver for carburetor adjustment

(not included in delivery for model DCS5200i, DCS5200)

Owner's and Safety Manual (not shown)

In case one of the parts listed should not be included in the delivery inventory, please consult your sales agent.

Observe the following symbols on the chain saw and in the Owner's and Safety Manual:

**Stop engine!**

**Wear protective gloves!**

**Chain brake**

**Caution, kickback!**

**Fuel and oil mixture**

**Carburetor adjustment**

**Chain oil fill/oil pump**

**Working in winter**

**First aid**

**Recycling**

## Safety precautions for chain saw operators

While operating the chain saw please observe the following rules:

- a) Contact of the guide bar nose with any object should be avoided.
- b) Tip contact may cause the guide bar to move suddenly upward and backward, which may cause serious or fatal injury.
- c) Always operate the chain saw with both hands.

### WARNING!

Read and follow all safety precautions in the owner's manual. Failure to follow instructions could result in serious injury. It is recommended to lend the chain saw only to people who are experienced in working with chain saws. Always hand over the Owner's and Safety Manual.

### WARNING!

This chain saw is capable of severe kickback that could result in serious injury to the operator. Do not operate this chain saw unless you have extraordinary cutting needs and experience in and special training for dealing with kickback. Chain saws with significantly reduced kickback potential are available.

### WARNING!

Kickback may occur when the nose or tip of the guide bar touches an object, or when the wood closes in and pinches the saw chain in the cut. This contact may abruptly stop the **saw chain** and in some cases may cause a lightning fast reverse **reaction**, kicking the guide bar up and back towards the user, or push the guide bar back towards the operator. **Kickback** may cause you to lose control of the saw.

As a chain saw user, you can take several steps to reduce the risk of a kickback and potential injury.

- A. With a basic understanding of kickback, you can reduce or eliminate the element of surprise. It is a sudden surprise that contributes to accidents.
- B. Keep a good firm grip on the saw with both hands, your right hand on the rear grip and your left hand on the tubular handle, when the engine is running. Use a firm grip with thumbs and fingers encircling the chain saw handles. A firm grip can neutralize kickback and help you maintain control of the saw. Don't let go!
- C. Make sure that the area in which you are cutting is free from obstructions. Do not let the nose of the guide bar contact the log, branch, or any other obstructions which could be hit while you are operating the saw.
- D. Do not overreach or cut above shoulder height.
- E. Follow manufacturer's sharpening and maintenance instructions for the saw chain.
- F. Only use replacement bars and chains specified by the manufacturer or the equivalent.

## Additional safety precautions

The following additional safety precautions should be observed by all users of chain saws:

1. Do not operate a chain saw when you are fatigued.
2. Use safety footwear; snug-fitting clothing; protective gloves; and eye, hearing, and head protection devices.
3. Use caution when handling fuel. Move the chain saw at least 10 feet (3 m) from the fueling point before starting the engine.
4. Do not allow other persons to be near the chain saw when starting or cutting with the chain saw. Keep bystanders and animals out of the work area.
5. Do not start cutting until you have a clear work area, secure footing, and a planned retreat path from the falling tree.
6. Keep all parts of your body away from the saw chain when the engine is running.
7. Before you start the engine, make sure that the saw chain is not contacting anything.
8. Carry the chain saw with the engine stopped, the guide bar and saw chain to the rear, and the muffler away from your body.
9. Do not operate a chain saw that is damaged, is improperly adjusted, or is not completely and securely assembled. Be sure that the saw chain stops moving when the throttle control trigger is released.
10. Shut off the engine before setting it down.
11. Use extreme caution when cutting small size brush and saplings because slender material may catch the saw chain and be whipped toward you or pull you off balance.
12. When cutting a limb that is under tension be alert for springback so that you will not be struck when the tension on the wood fibers is released.
13. Keep the handles dry, clean, and free of oil or fuel mixture.
14. Operate the chain saw only in well-ventilated areas.
15. Do not operate a chain saw in a tree unless you have been specifically trained to do so.
16. All chain saw service, other than the items listed in the owner's manual maintenance instructions, should be performed by MAKITA. (For example, if improper tools are used to remove the flywheel or if an improper tool is used to hold the flywheel in order to remove the clutch structural damage to the flywheel could occur and could subsequently cause the flywheel to burst.)
17. When transporting your chain saw, use the chain protection cover.
18. Low kickback bars and low kickback chains are designed to reduce the risk of kickback injury. Ask your MAKITA dealer about these devices.



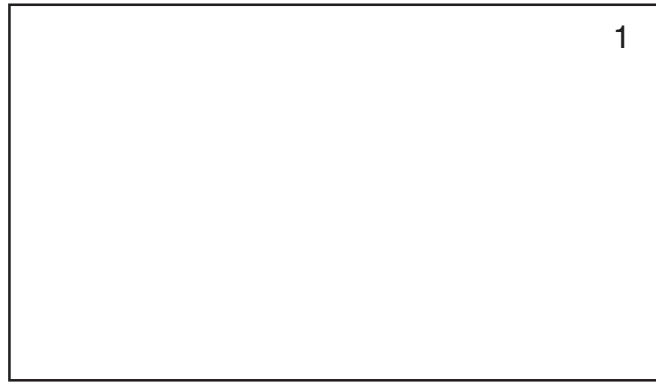
# General Safety Precautions

The use of any chain saw may be hazardous. At full throttle chain speed can reach 45 mph (20 m/s). It is important that you read; fully understand and observe the following safety precautions and warnings. Read the owner's manual and the safety instructions periodically.

## WARNING !

Reactive forces, including kickback, can be dangerous. Careless or improper use of any chain saw may cause serious or fatal injury.

Have your MAKITA dealer show you how to operate your chain saw. Observe all applicable local safety regulations, standards and ordinances.



## WARNING!

Minors should never be allowed to use a chain saw.

Bystanders, especially children and animals should not be allowed in the area where a chain saw is in use (fig. 1).

Never let the saw run unattended.

Store it in a locked place away from children. Fill the fuel tank to 7/8 th full (see storing the saw). Do not lend your chain saw without this owner's manual. Be sure that anyone using your saw understands the information given.

Proper use of a chain saw involves

1. the operator
2. the saw
3. the use of the saw.

## Discription of symbols used on chain saws:



Z 62.1-95 and  
Z 62.3-96  
Class 1A

Compliance with  
CSA -Standards

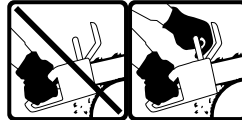
## ANSI B175.1-1991

Compliance with  
ANSI -Standards

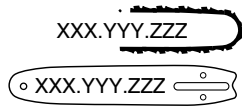
**45M6**

Chain Saw listed in accordance with American National Standard Safety Specifications for Gasoline Powered Chain Saws (ANSI B 175.1-1991).

Maximum Computed Kickback Angle (CKA)\* with using the chain brake when using the recommended bar and chain combinations (In this example the CKA is 40°).



Always use two hands when operating the chain saw!



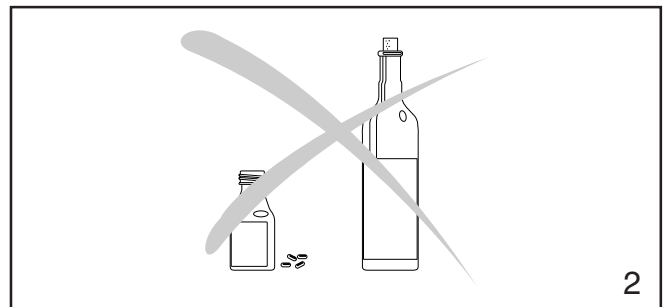
Reduced Kickback Bar and Chain combination that has been evaluated with the power head to achieve kickback protection (according to ANSI and CSA standards).

\* The Computed Kickback Angle is a calculated value from energies measured on a test bench. It is not the angle of the guide bar moved upward in case of a KICKBACK.

## The operator

### Physical Condition

You must be in good physical condition and mental health and not under the influence of any substance (drugs, alcohol), which might impair vision, dexterity or judgment.



## WARNING !

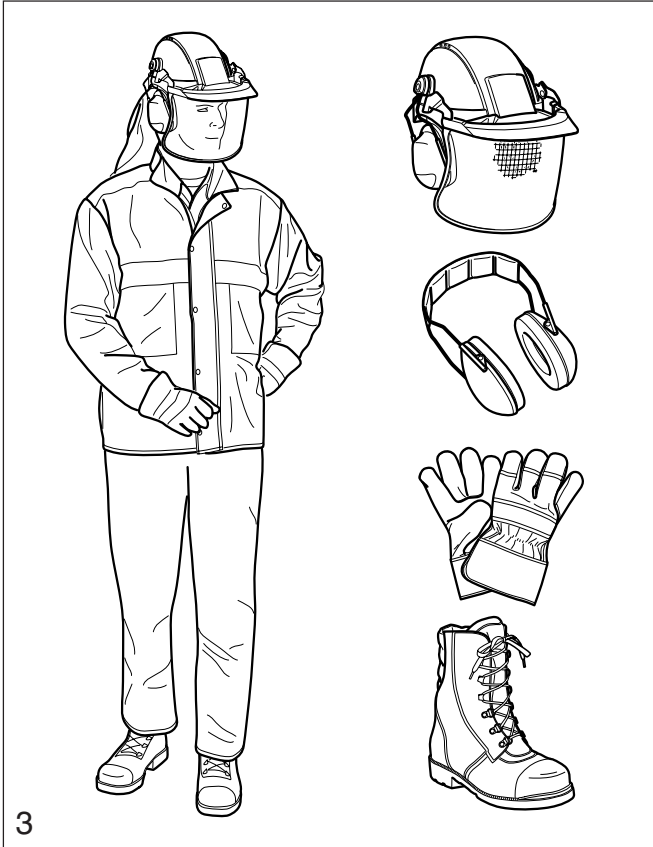
Prolonged use of chain saws exposing the operator to vibrations may produce Whitefinger disease (Raynaud's phenomenon). This phenomenon reduces the hand's ability to feel and regulate temperature, produces numbness and burning sensations and may cause nerve and circulation damage and tissue necrosis.

All MAKITA saws are therefore provided with an antivibration system which is essential for those using chain saws on a regular or sustained basis. Antivibration systems do not guarantee that you will not sustain Whitefinger disease, however, they reduce this danger considerably. Nevertheless, continual and regular users should observe their hands and fingers and in case of any abnormal symptoms, seek medical advice immediately.

## Proper clothing

Clothing must be sturdy and snug-fitting, but allow complete freedom of movement. Avoid loose-fitting jackets, scarfs, neckties, jewelry, flared or cuffed pants, or anything that could become entangled with the saw or brush. Wear overalls or jeans with a reinforced cutting resistant insert (fig. 3).

Protect your hands with gloves when handling saw and saw chain. Heavy-duty, nonslip gloves improve your grip and protect your hands.



Good footing is most important in chain saw work. Wear sturdy boots with nonslip soles. Steel-toed safety boots are recommended.

Proper eye protection is a must. Non-fogging, vented goggles and a face screen is recommended. Their use reduces the risk of eye and facial injury.

Wear an approved safety hard hat to protect your head. Chain saw noise may damage your hearing. Always wear noise protection equipment (ear plugs or ear muffs) to protect your hearing.

Continual and regular users should have their hearing checked regularly.



**Wear protective helmet,  
eye and ear protection!**

## The saw

Parts of the chain saw: illustrations and description of parts see page 17.

### WARNING !

Never modify a chain saw in any way. Only attachments supplied by MAKITA or expressly approved by MAKITA for use with the specific saw are authorized.

### WARNING !

Bow guide bars substantially increase the potential for kickback and severe or fatal injury due to the greater kickback zone of the bow design. Bow guide bars are **not recommended** for use on MAKITA chain saws nor are they approved by the ANSI B 175.1-1991 chain saw safety standard.

## The use of the saw

### Transporting the chain saw

### WARNING!

Always stop the engine before putting a chain saw down or carrying it. Carrying a chain saw with the engine running is extremely dangerous. Accidental acceleration of the engine can cause the chain to rotate.

Avoid touching the hot muffler.



**By hand:** When carrying your saw by hand, the engine must be stopped and the saw must be in the proper position.

The chain protection cover should be over the chain and the guide bar must point backwards. When carrying your saw the bar should be behind you (fig. 4).

**By vehicle:** When transporting in a vehicle, keep chain and bar covered with the chain guard. Properly secure your saw to prevent turnover, fuel spillage and damage to the saw. Make sure the saw is not exposed to heat or sparks.

## Chain saw operating instructions

For assembly follow the procedure in the appropriate section "Mounting Guide Bar and Chain" of this manual. MAKITA chain, guide bar and sprocket must match each other (see the appropriate section in this manual).

### WARNING!

Proper tension of the chain is extremely important. In order to avoid false setting the tensioning procedure must be followed as described in this manual. Always make sure the hexagonal nut(s) for the sprocket guard is (are) tightened securely after tensioning the chain. Check chain tension once more after having tightened the nuts and thereafter at regular intervals (always before starting to work). If the chain becomes loose while cutting, shut off the engine and then tighten. Never try to tighten the chain while the engine is running!

### Fueling

Your MAKITA saw uses on oil-gasoline mixture for fuel (see chapter "Fuel" of this manual).



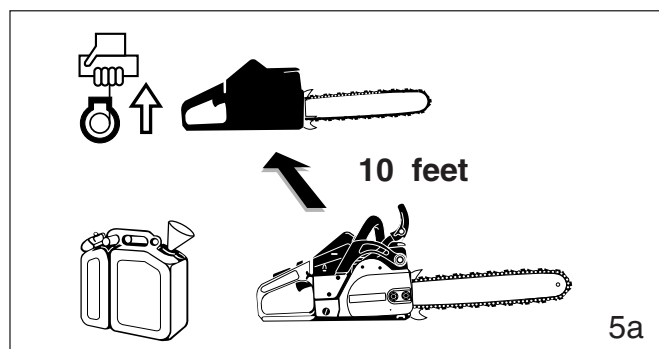
### WARNING!

Gasoline is an extremely flammable fuel. Use extreme caution when handling gasoline or fuel mix. Do not smoke or bring any sparks or flame near the fuel (fig. 5).



### Fueling instructions

Fuel your chain saw in well ventilated areas or outdoors. Always shut off the engine and allow it to cool before refueling. Select bare ground for fueling and move the chain saw at least 10 feet (3 m) from fueling spot before starting the engine (fig. 5a).

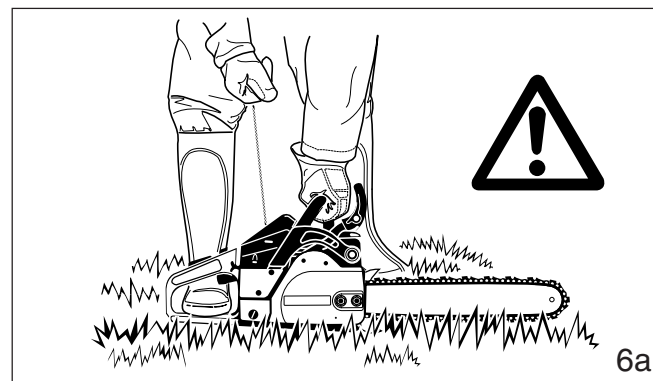
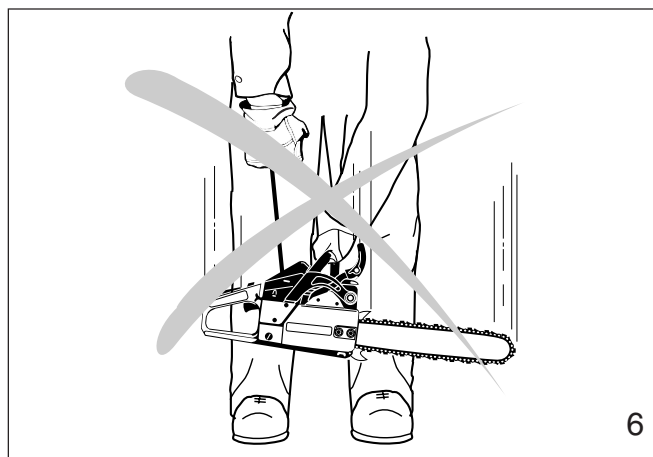


Wipe off any spilled fuel before starting your saw and check for leakage.

Check for fuel leakage while refueling and during operation. If fuel or oil leakage is found, do not start or run the engine until leak is fixed and spilled fuel has been wiped away. Clothing with fuel on it has to be changed immediately (this is a danger to your life!). Avoid skin contact with fuel. Never loosen or remove the cap of the fuel tank while the engine is running.

### Starting

Do not drop start. This method is very dangerous because you may lose control of the saw (fig. 6).



Place the chain saw on firm ground or other solid surface in an open area. Maintain a good balance and secure footing. Place your right foot through the rear handle opening and firmly grasp the front handle with your left hand (fig. 6a).

Be absolutely sure that guide bar and chain are clear of you or all other obstructions and objects, including the ground, because when the engine starts in semi-throttle position, engine speed will be fast enough for the clutch to engage the sprocket and turn the chain which may cause a kickback.

Never attempt to start the saw when the guide bar is in a cut or kerf.

When you pull the starter grip, don't wrap the starter rope around your hands. Do not allow the grip to snap back, but guide the starter rope slowly back to permit the rope to rewind properly. Failure to follow this procedure may result in injury to hand or fingers and may damage the starter mechanism.



## Important adjustments

### WARNING!

At correct idle speed, chain should not turn. For directions to adjust idle speed, see the appropriate section of this instruction manual.

Do not use a saw with incorrect idle speed adjustment. Adjust the idle speed yourself according to the appropriate section of this manual.

Have your MAKITA dealer check your saw and make proper adjustments or repairs.

Check the saw chain tension frequently, especially just after installing a new chain. New chains may stretch more during their initial use. A properly adjusted saw chain can be pulled freely around the guide bar by hand without sagging. Always stop the engine and wear gloves when checking or adjusting the chain tension.

## Working conditions

Operate your chain saw only outdoors. Operate the saw under good visibility and daylight conditions only.

### WARNING!

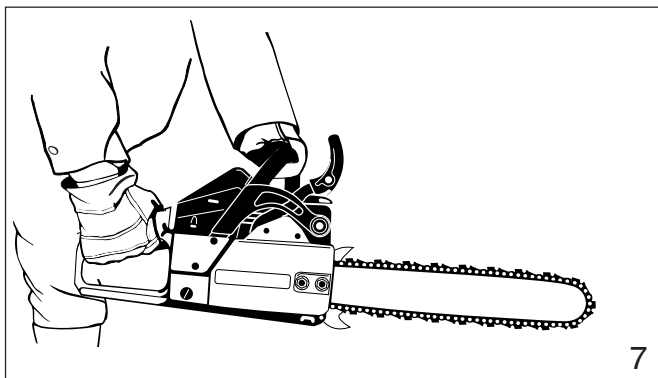
Take extreme care in wet and freezing weather (rain, snow, ice). Put off the work when the weather is windy, stormy or rainfall is heavy. Clear the area where you are working.

### WARNING!

Avoid stumbling on obstacles such as stumps, roots or rocks and watch out for holes or ditches. Be extremely cautious when working on slopes or uneven ground. There is increased danger of slipping on freshly debarked logs.

## Cutting instructions

Always hold the saw firmly with both hands when the engine is running. Place your left hand on the tubular handle and your right hand on grip and throttle lever. Left-handers should follow these instructions too.

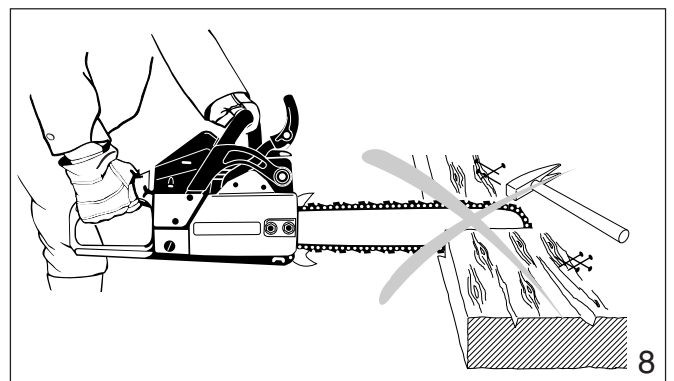


Wrap your fingers tightly around the handles, keeping the handles cradled between your thumb and forefinger (fig. 7). With your hands in this position, you can best oppose and absorb the push, pull and kickback forces of your saw without having it slip out of your grip (see section of reactive forces). Make sure your chain saw handle and grip are in good condition and free of moisture, pitch, oil or grease.

Always start a cut with the chain running at full speed and the spike bar in contact with the wood.

### WARNING!

Never use the saw with one hand. You cannot control reactive forces (see pages 10 to 12) and may lose control of the saw.



### WARNING!

Do not operate your chain saw in semi-throttle position. Cutting in this position does not permit the operator proper control of the saw or chain speed.

### WARNING!

Never come too close to a rotating chain with your hands or body.

### WARNING!

Do not cut any material other than wood or wooden objects.

Use your chain saw for cutting only. It is not designed for prying or shoveling away limbs, roots or other objects.

When sawing, make sure that the saw chain does not touch any foreign materials such as rocks, nails and the like (fig. 8). Such objects may be flung off, damage the saw chain or cause the saw to kickback.

9

always maintain  
er, in a tree or on  
e the saw above



10

a way that your body is  
whenever the engine is

when reaching the end  
cause the bar and rotating  
kerf, go out of control and  
other object. If the rotating  
object a reactive force (see  
use the chain to strike the

#### The cut, including kickback

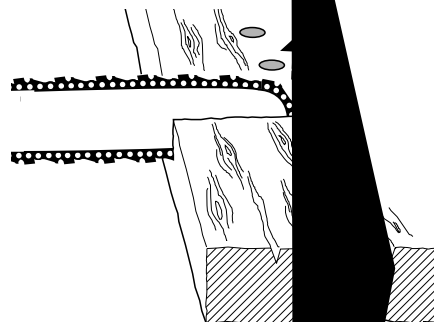
##### WARNING!

may occur during any cut are  
and pull-in. Reactive forces  
in any chain saw, the powerful  
hood can be reversed (and work  
or).

is suddenly stopped by contact  
object like a log or branch or is  
reactive forces instantly occur. These  
may result in loss of control which  
cause serious or fatal injury. An  
ing of the causes of these reactive  
help you avoid loss of control.

common reactive forces are

ck,  
back,  
in.



Many factors influence the occurrence and force of the kickback reaction. The type of bar and saw chain you use is a factor in the force of the kickback reaction.

**The speed of contact at which the cutter contacts the object.**

Kickback force increases with the rate of impact.

**The contact angle between the nose of the bar and the foreign object (fig. 11).**

Kickback is most pronounced in the upper quadrant of the bar nose.

MAKITA chain types are designed to reduce kickback forces.

**The depth gauges:**

Improper lowering of the depth gauges also increases the risk of a kickback.

**Saw chain cutter sharpness:**

**WARNING!**

A dull improperly sharpened chain may increase the risk of kickback. Always cut with a properly sharpened chain.

**Devices for reducing the risk of kickback injury**

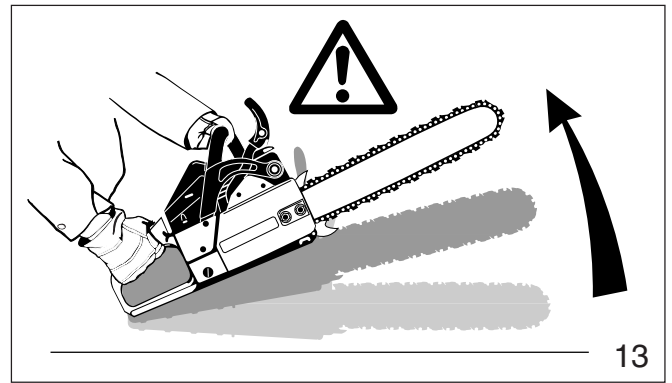
MAKITA have developed a special chain brake to reduce the risk of kickbacks.

This chain brake increases the safety factor on the job, e.g. when the saw suddenly bucks upwards the chain stops rotating within a fraction of a second. A deflection guard on the disengaging lever of the chain brake and a scoop rear handle ensure that the operator's hands are fully protected at all times.

Kickback tendency increases as the radius or size of the guide bar nose increases. MAKITA have developed guide bars with small nose radius, to reduce the kickback tendency.

**WARNING!**

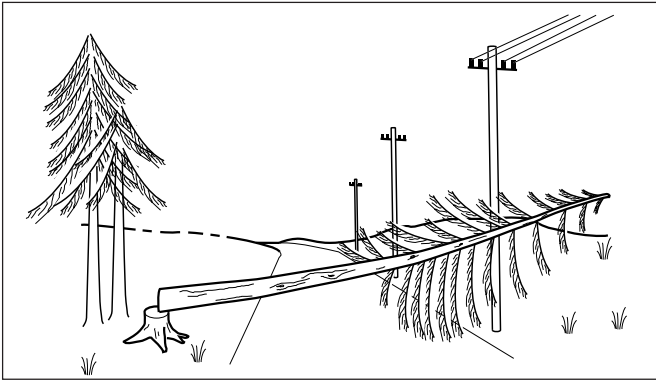
No chain brake prevents kickback. These brakes are designed only to stop the chain, if activated. To ensure a proper operation of the chain brake, it must be properly maintained. Furthermore, there must be a sufficient distance between the operator and the bar to ensure that the chain brake has sufficient time to activate and stop the chain before potential contact with the operator.

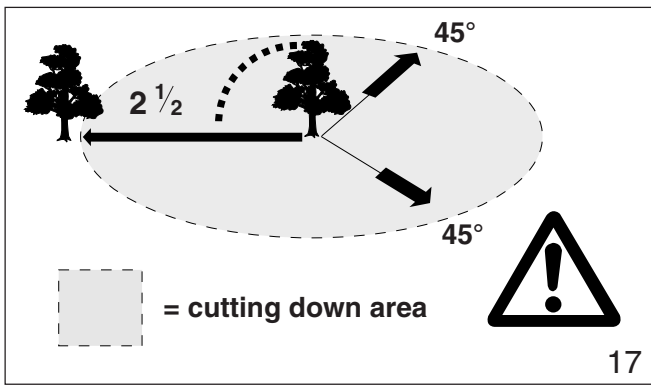


**To avoid kickback**

The best protection from personal-injury that may result from kickback is to avoid kickback situations:

1. Hold the chain saw firmly with both hands and maintain a secure grip.
2. Be aware of the location of the guide bar nose at all times.
3. Never bring the nose of the guide bar in contact with any object. Do not cut limbs with the nose of the guide bar. Be especially careful with small, tough limbs, small size brush and saplings which may easily catch the chain.
4. Don't overreach.
5. Don't cut above shoulder height.
6. Begin cutting and continue at full throttle.
7. Cut only one log at a time.
8. Use extreme caution when re-entering a previous cut.
9. Do not attempt plunge cuts (see page 14) if you are not experienced with these cutting techniques.
10. Be alert for shifting of the log or other forces that may cause the cut to close and pinch the chain.
11. Maintain saw chain properly. Cut with a correctly sharpened, properly tensioned chain at all times.
12. Stand to the side of the cutting path of the chain saw.



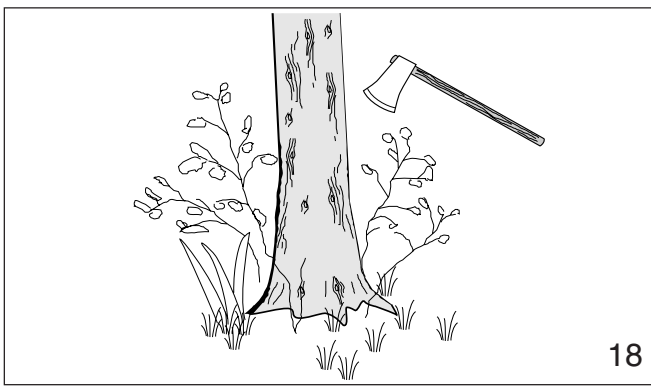


When felling, maintain a distance of at least 2 1/2 tree lengths from the nearest person (see fig. 17).

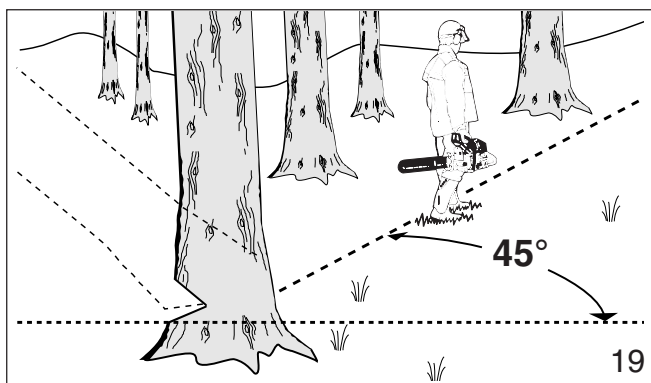
**Note:**

The noise of your engine may drown any warning call.

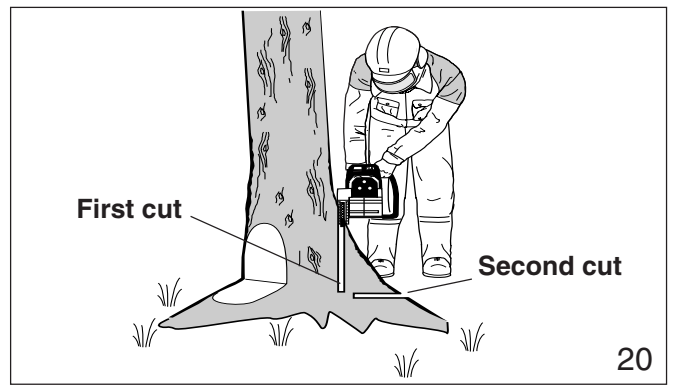
**Felling instructions:**



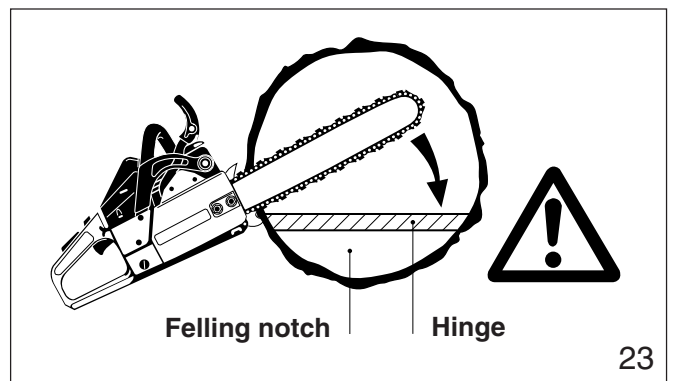
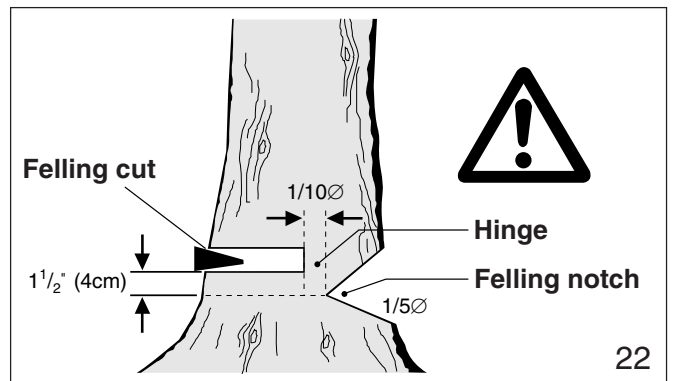
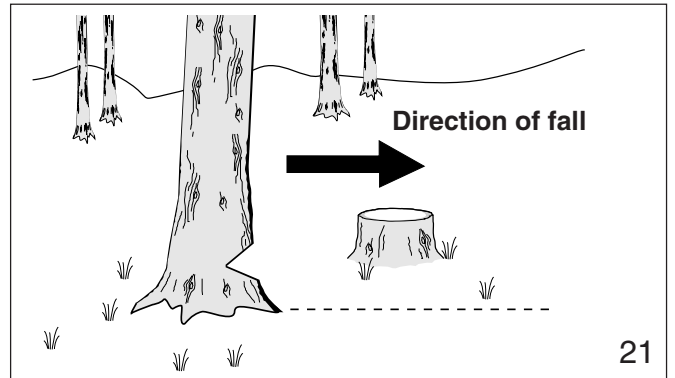
First clear the tree base and work area from interfering limbs and brush and clean its lower portion an axe (see fig. 18).



Then, establish a path of escape and remove all obstacles. This path should be opposite to the planned direction of the fall of the tree and at a 45° angle (fig. 19). An alternate path must also be selected. Place all tools and equipment a safe distance away from the tree, but not on the escape path.



If the tree has large buttress roots, cut into the largest buttresses vertically first (horizontally next) and remove (fig. 20).



Then, determine the placement of the felling notch (fig. 21). The felling notch when properly placed determines the direction in which the tree will fall. It is made perpendicular to the line of fall and should be as close to the ground as possible. Cut the felling notch to a depth of about one-fifth to one-fourth of the trunk diameter (fig. 22). It should be in no case higher than it is deep. Make the felling notch very carefully.



Begin the felling cut slightly higher than the felling notch and on the opposite side of the tree (fig. 22). Then cut horizontally through towards the felling notch. Apply the chain saw with its spikes directly behind the uncut portion of wood and cut toward the notch (fig. 23). Leave approximately 1/10 of the tree diameter uncut! This is the hinge (fig. 23). Do not cut through the hinge because you could lose control of the direction of the fall. Drive wedges into the felling cut where necessary to control the direction of the fall. Wedges should be of wood, light alloy or plastic - never of steel, which can cause kickback and damage to the chain.

Always keep to the side of the falling tree. When the tree starts to fall, shut off the engine, withdraw the bar and walk away on the pre-planned escape path. Watch out for falling limbs.

**WARNING!**

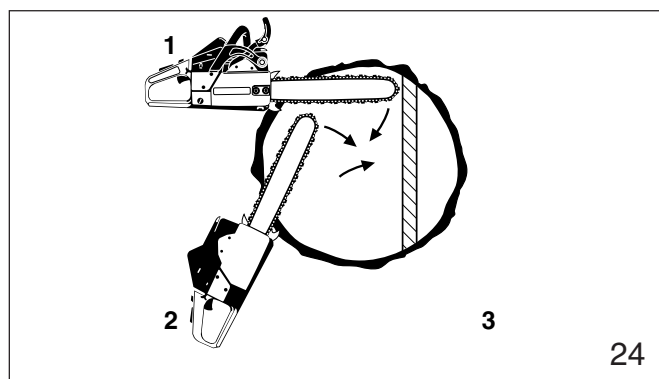
Be extremely careful with partially fallen trees which are poorly supported.

When the tree hangs or for some other reason does not fall completely, set the saw aside and pull the tree down with a cable winch, block and tackle or tractor. If you try to cut it down with your saw, you may be injured.

**Sectioning Method**

**WARNING!**

Felling a tree that has a diameter greater than the length of the guide bar requires use of either the sectioning or plunge-cut method. These methods are extremely dangerous because they involve the use of the nose of the guide bar and can result in kickback. Only properly trained professionals should attempt these techniques.



For the sectioning method (fig. 24) make the first cut with the guide bar fanning in toward the hinge. Then, using the bumper spike as a pivot, reposition the saw for the next cut. Avoid repositioning the saw more than necessary. When repositioning for the next cut, keep the guide bar fully engaged in the kerf to keep the felling cut straight. If the saw begins to pinch, insert a wedge to open the cut. On the last cut, do not cut the hinge.

**Plunge-Cut Method**

Timber having a diameter more than twice the length of the guide bar requires the use of the plunge-cut method before making the felling cut.

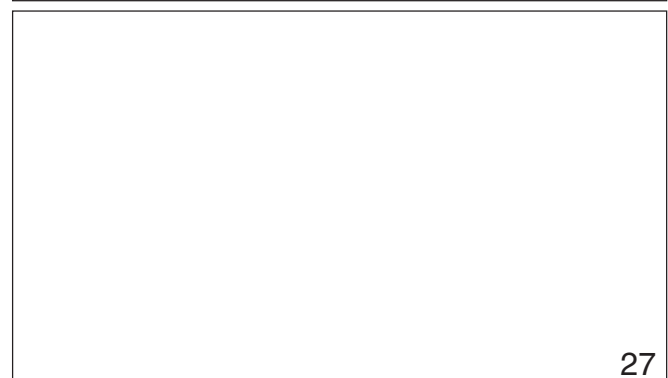
First, cut a large, wide notch. Make a plunge cut in the center of the notch.

The plunge cut is made with the guide bar nose. Begin the plunge cut by applying the lower portion of the guide bar nose to the tree at an angle (fig. 25). Cut until depth of the kerf is about the same as the width of the guide bar (fig. 26). Next, align the saw in the direction



in which the recess is to be cut. With the saw at full throttle, insert the guide bar in the trunk (fig. 27).

Enlarge the plunge cut as shown in illustration (fig. 28)



**WARNING!**

There is an extreme danger of kickback at this point. Extra caution must be taken to maintain control of the saw. To make the felling cut, follow the sectioning method described previously (fig. 29). If you are inexperienced with a chain saw plunge-cutting should not be attempted. Seek the help of a professional.

**Limbing**

Limbing is removing the branches from a fallen tree.

**WARNING!**

There is an extreme danger of kickback during the limbing operation. Do not work with the nose of the bar. Be extremely cautious and avoid contacting the log or other limbs with the nose of the guide bar. Do not stand on a log while limbing it - you may slip or the log may roll.



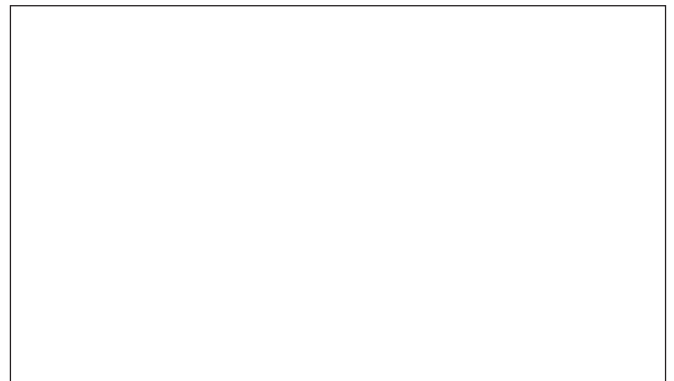
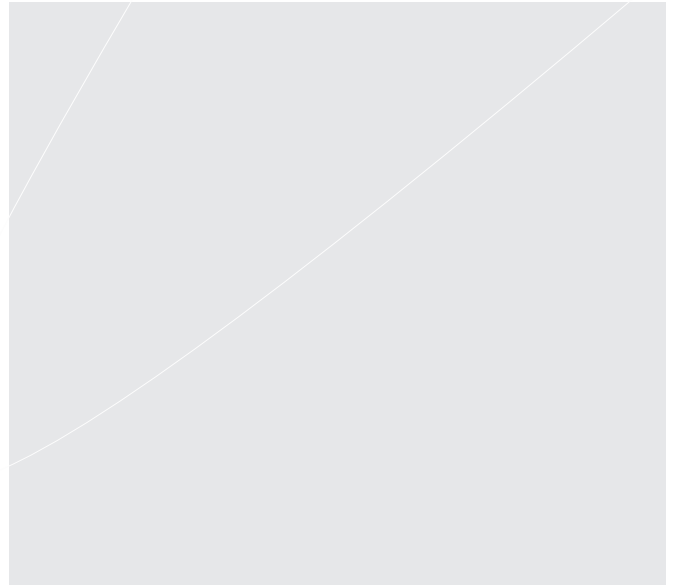
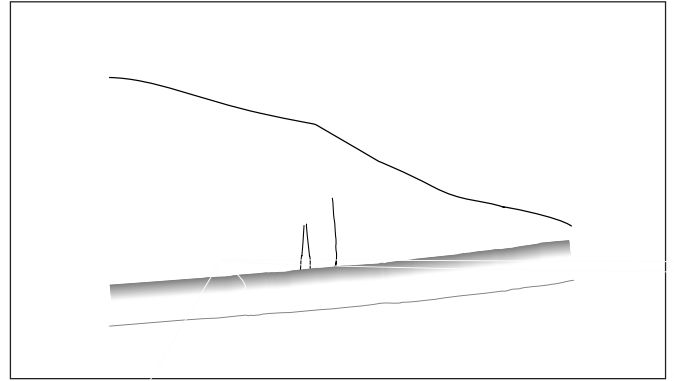
Start limbing by leaving the lower limbs to support the log off the ground (fig. 30). Always cut from the top of the limb. Do not underbuck freely hanging limbs. A pinch may result or the limb may fall, causing loss of control. If a pinch occurs, stop the engine and remove the saw, by lifting the limb.

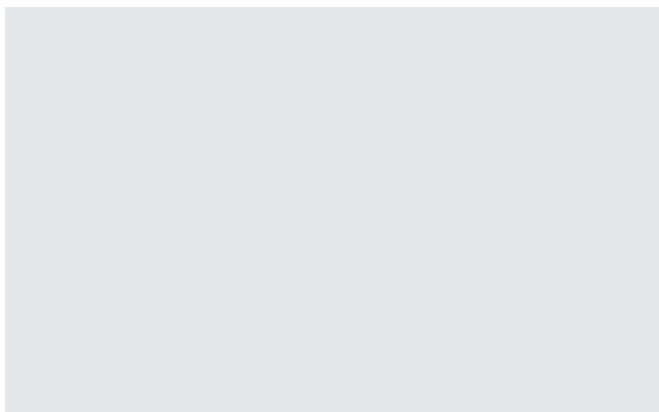
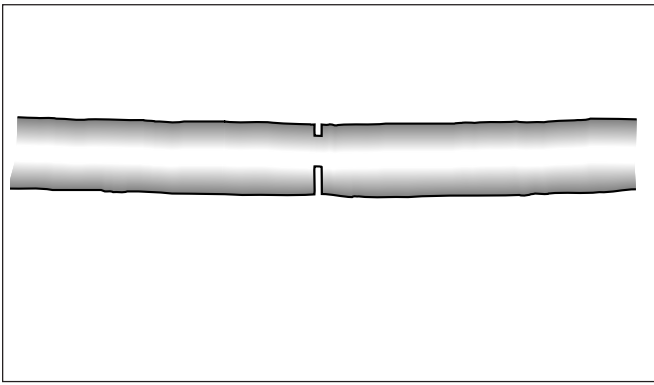
**WARNING!**

Be extremely cautious when cutting limbs under tension. The limbs could spring back toward the operator and cause loss of control of the saw or injury to the operator.

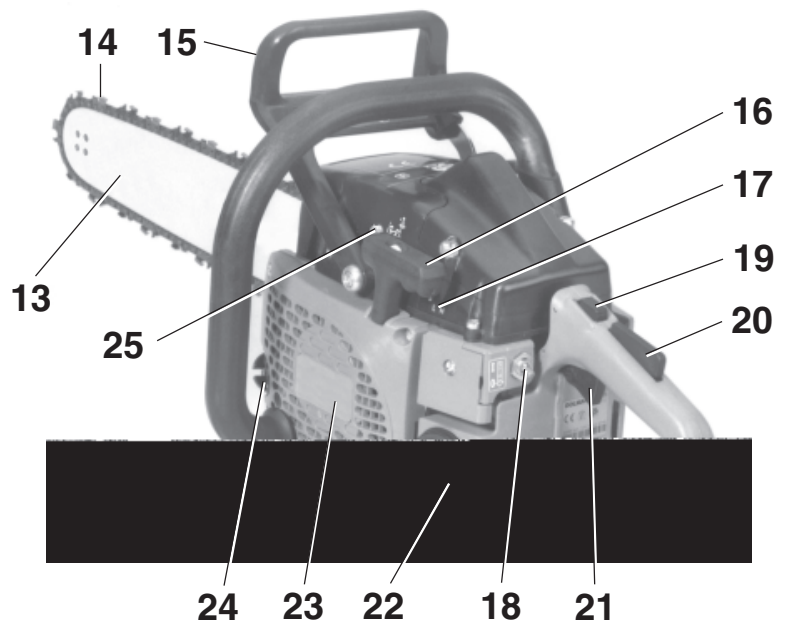
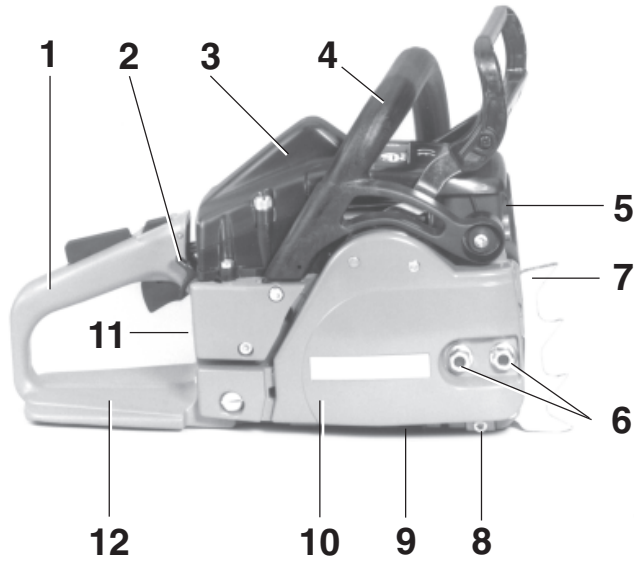
**Bucking**

Bucking is cutting a log into sections.



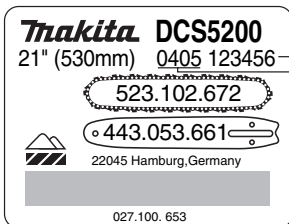


## Denomination of components



### Identification plate

(example model DCS5200)



Serial no.

Year of manufacture

Indicate when ordering spare parts!

- 1 Handle
- 2 Choke
- 3 Filter cover
- 4 Tubular handle
- 5 Muffler
- 6 Retaining nuts
- 7 Spike bar  
(toothed stop for holding saw steady against wood)
- 8 Chain catch
- 9 Adjusting screw for oil pump (bottom side)
- 10 Sprocket guard
- 11 Identification plate
- 12 Hand guard

- 13 Guide bar
- 14 Chain
- 15 Hand guard (release for chain brake)
- 16 Starter grip
- 17 Adjusting screws "S-L-H" for carburetor
- 18 I/STOP-switch
- 19 Stop knob for halfway throttle
- 20 Throttle stopper
- 21 Throttle lever
- 22 Fuel tank cap
- 23 Fan housing with starting assembly
- 24 Oil tank cap
- 25 Decompression valve (only DCS431)

## Technical data

		DCS430 / 431	DCS520 / 520i	DCS540	DCS5200 / 5200i
Stroke volume	cu. in	2.7 (43 cm <sup>3</sup> )	3.2 (52 cm <sup>3</sup> )	3.3 (54 cm <sup>3</sup> )	3.2 (52 cm <sup>3</sup> )
Bore	inch	1.57 (40 mm)	1.73 (44 mm)	1.77 (45 mm)	1.73 (44 mm)
Stroke	inch	1.34 (34 mm)	1.34 (34 mm)	1.34 (34 mm)	1.34 (34 mm)
Max. power at speed	kW / rpm	2.0 / 9,000	2.4 / 9,000	2.2 / 9,000	2.7 / 9,000
Max. torque at speed	Nm / rpm	2.4 / 6,000	2.9 / 6,000	3.0 / 6,000	3.1 / 6,000
Idling speed	rpm	2,500	2,500	2,500	2,500
Coupling speed	rpm	3,600	3,600	3,600	3,600
Sound Pressure Level at the operator's ear at full load according to ANSI B 175.1	db(A)	102	102	102	102
Sound Pressure Level at the bystander's position (50ft/15 m distance) according to ANSI B 175.1	db(A)	75	75	75	75
Carburetor (for CANADA)	Type	Walbro WT 465	TILLOTSON HU 116	Walbro WT 465	<sup>1)</sup>
Carburetor (for USA)	Type	Walbro WT 465	TILLOTSON HU 116	Walbro WT 465	<sup>1)</sup>
Ignition system	Type	electronic	electronic	electronic	electronic
Spark plug	Type	BOSCH WSR 6F	BOSCH WSR 6F	BOSCH WSR 6F	BOSCH WSR 6F
Electrode gap	inch	.020	.020	.020	.020
or spark plug	Type	NGK BPMR 7A	NGK BPMR 7A	NGK BPMR 7A	NGK BPMR 7A
Fuel consumption at max. load	kg/h	0.90	1.08	1.30	1.21
Specific consumption at max. load	g/kWh	450	450	590	450
Fuel tank capacity	oz	18.6	18.6	18.6	18.6
Chain oil tank capacity	oz	9.3	9.3	9.3	9.3
Mixture ratio (fuel/two-stroke oil)		see chapter "Fuel"			
Chain brake		Engages manually or in case of kickback.			
Weight (fuel tank empty, without chain and guide bar)		10 lbs	10 lbs	10 lbs 2 oz	10 lbs 2 oz

<sup>1)</sup> DCS5200 = Walbro WT 465 / DCS5200i = TILLOTSON HU 116

### Approved bar and chain combinations

"Low-kickback saw chain is a chain which has met the kickback performance requirements of ANSI B 175.1-1991 (American National Standard for Power Tools-Gasoline-Powered Chain Saws-Safety Requirements) when tested on the representative sample of chain saws below 3.8 c.i.d. specified in ANSI B 175.1-1991". The approved bar and chain combinations are low kickback chains according to ANSI B 175.1-1991 and also meet the kickback requirements of CSA Z62.3-96 for chains saws below 80 cm<sup>3</sup>.

### WARNING

Do not use other replacement bars and chains unless they have been designated as meeting the ANSI B 175.1-1991 (for USA) and CSA Z62.3-96 (for Canada) kickback performance requirements on that specific powerhead, or has been designated as "low kickback" saw chain in accordance with the ANSI B 175.1-1991 (for USA) and CSA Z62.3-96 (for Canada) standard.

#### Guide bar and saw chain combinations meeting kick-back requirements of ANSI B 175.1-1991 for the use in the USA

##### Models DCS430, DCS431

GUIDE BAR length	pitch	part no.	SAW CHAIN part no.
15" (38 cm)	.325"	445 038 631	523 085 664
16" (40 cm)	.325"	445 040 631	523 085 666
18" (45 cm)	.325"	445 045 631	523 085 672

Drive link gauge: .058", Chain sprocket: 8 teeth

##### Models DCS520, DCS520i, DCS540, DCS5200, DCS5200i

GUIDE BAR length	pitch	part no.	SAW CHAIN part no.
15" (38 cm)	.325"	445 038 631	523 085 664
16" (40 cm)	.325"	445 040 631	523 085 666
18" (45 cm)	.325"	445 045 631	523 085 672

Drive link gauge: .058", Chain sprocket: 8 teeth

18" (45 cm)	3/8"	443 045 661	523 102 664
21" (53 cm)	3/8"	443 053 661	523 102 672

Drive link gauge: .050", Chain sprocket: 7 teeth

#### Guide bar and saw chain combinations meeting kick-back requirements of CSA Z62.3-96 for the use in CANADA

##### Models DCS430, 431, 520, 520i, 540 and DCS5200, 5200i

GUIDE BAR length	pitch	part no.	SAW CHAIN part no.
15" (38 cm)	.325"	445 038 631	523 085 664
16" (40 cm)	.325"	445 040 631	523 085 666
18" (45 cm)	.325"	445 045 631	523 085 672

Drive link gauge: .058", Chain sprocket: 8 teeth

15" (38 cm)	3/8"	443 038 651	522 094 656
18" (45 cm)	3/8"	443 045 651	522 094 664
21" (53 cm)	3/8"	443 053 651	522 094 672

Drive link gauge: .058", Chain sprocket: 7 teeth



## PUTTING INTO OPERATION

### Mounting the guide bar and saw chain

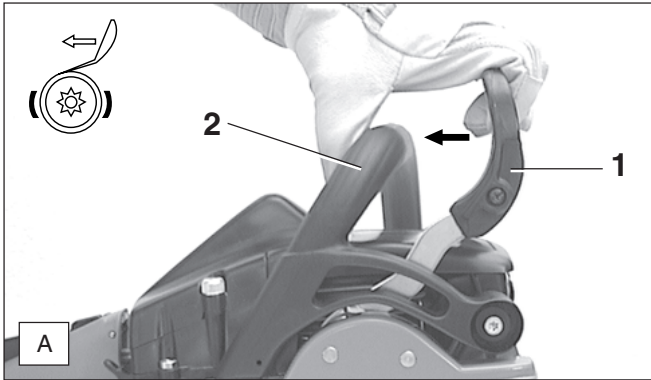
Use the universal wrench delivered with the chain saw for the following work.

Put the chain saw on a stable surface and carry out the following steps for mounting the guide bar and chain:



**CAUTION:** Before doing any work on the guide bar or chain, always switch off the engine and pull the plug cap off the spark plug (see "Replacing the spark plug"). Always wear protective gloves!

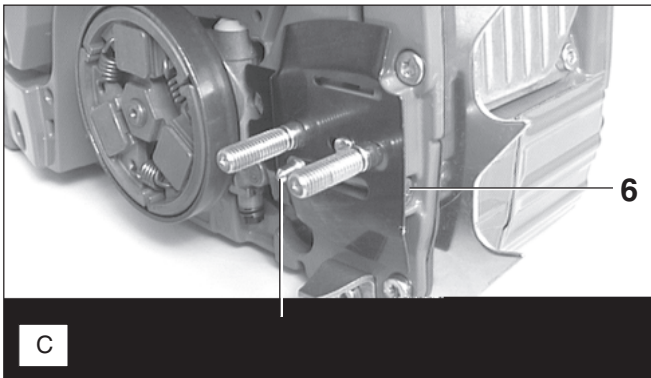
**CAUTION:** Start the chain saw only after having assembled it completely and inspected!



- Always release the chain brake before removing or replacing the sprocket guard (B/4). To do so, pull the hand guard (A/1) towards the tubular handle (A/2) until you feel it catch.



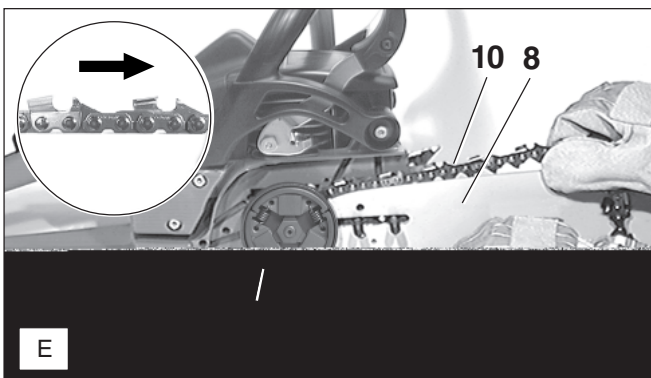
- Unscrew retaining nuts (B/3).
- Pull off the sprocket guard (B/4).
- Remove the plastic transport cover (B/5) and dispose of properly.



- Turn the chain adjusting screw (C/6) to the left (counter-clockwise) until the pin (C/7) is at the left stop.

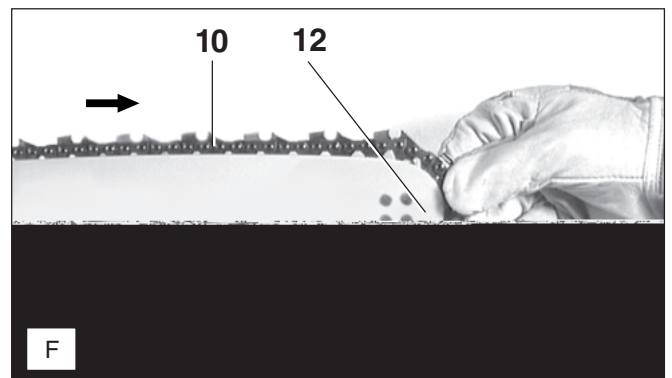


- Position the guide bar (D/8). Make sure that the pin (D/9) of the chain tightener is in the hole (circled) on the guide bar.



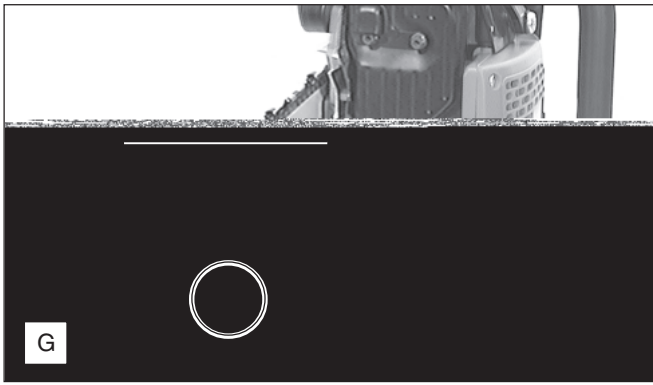
- Lift the chain (E/10) over the clutch drum and onto the sprocket (E/11). Using your right hand, guide the chain into the top guide groove on the guide bar (E/8).

**NOTE:** The cutting edges along the top of the chain must point in the direction of the arrow!

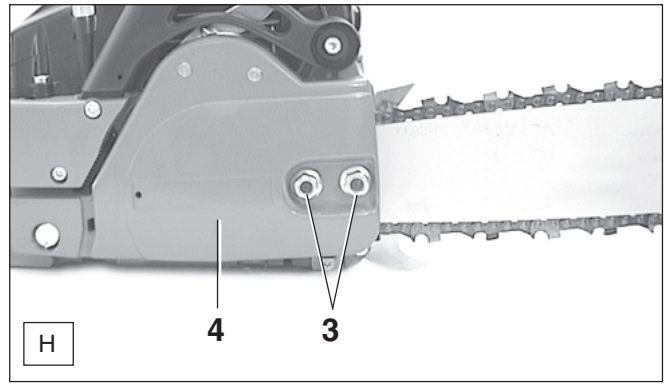


- Lead the chain (F/10) around the sprocket nose (F/12) of the guide bar.

**NOTE:** The chain should be easy to pull in the direction of the arrow.

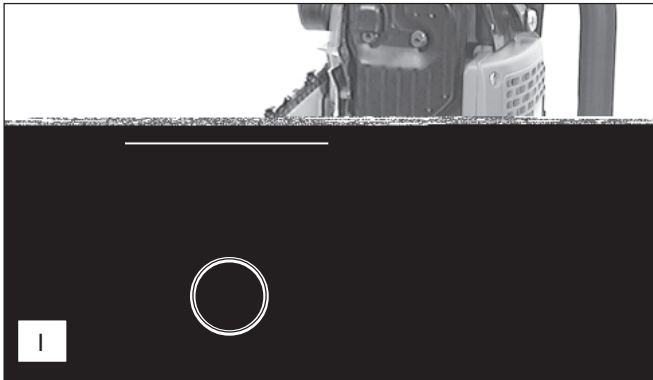


- Turn the chain tightener (G/6) to the right (clockwise) until the chain engages the guide groove of the bottom side of the bar (see circle). Press the guide bar against the housing with your left hand.



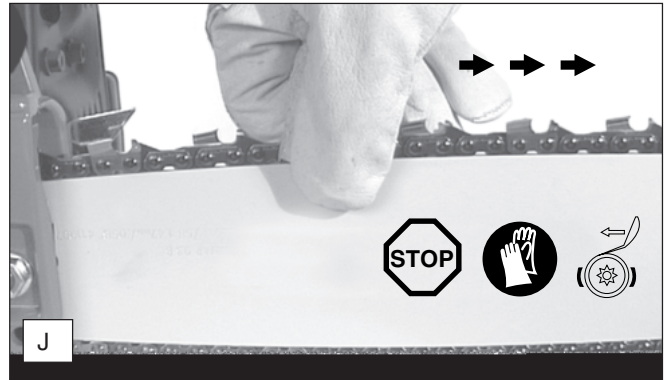
- Replace the sprocket guard (H/4).
- Manually tighten the retaining nuts (H/3).

### Checking the chain tension



### Tightening the saw chain

- Slightly lift the end of the guide bar and turn the chain adjusting screw (I/6) to the right (clockwise) until the chain rests against the bottom side of the guide bar.
- While still holding up the tip of the guide bar, tighten the retaining nuts (H/3) with the universal wrench.

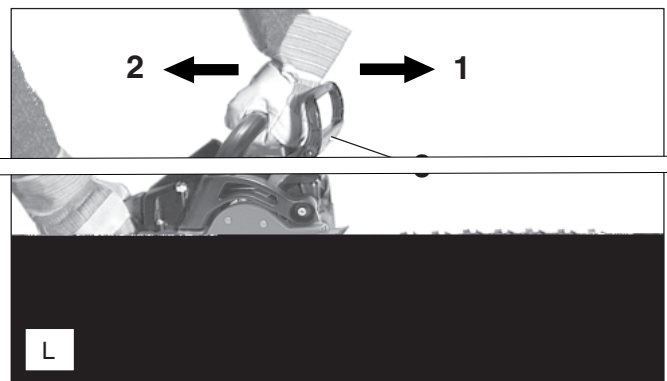


- The tension of the chain is correct if the chain rests against the bottom side of the guide bar and can still be easily turned by hand. While doing so the chain brake must be released.
- Every new chain has to be broken in for about 2 to 3 minutes. Ample chain lubrication is essential during this period. After breaking in, check chain tension and adjust, if necessary.
- When checking the chain tension the engine must be switched off.

**NOTE:** Check the chain tension frequently - chains tend to get longer during use! If this is not done, there is a risk of the chain jumping off the bar. It is recommended to use 2-3 chains alternatively.

In order to guarantee uniform wear of the guide bar the bar should be turned over whenever replacing the chain.

### Chain brake



### Engaging the chain brake (braking)

If the kickback is strong enough the sudden acceleration of the guide bar combined with the inertia of the hand guard (L/3) will **automatically** actuate the chain brake.

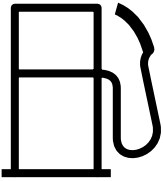
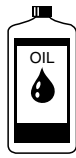
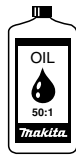

To engage the chain brake **manually**, simply push the hand guard (L/3) forward (towards the tip of the saw) with your left hand (arrow 1).

### Releasing the chain brake

Pull the hand guard (L/3) towards you (arrow 2) until you feel it catch. The brake is now released.

## Fuel / Refuelling



Gasoline	40:1 other oil	50:1 MAKITA oil	100:1 MAKITA oil
			
1.0 Us-gal. (3.7 l)	3.2 floz.(94 cm <sup>3</sup> )	2.5 floz.(75 cm <sup>3</sup> )	1.3 floz.(38 cm <sup>3</sup> )
2.5 Us-gal. (9.4 l)	8.0 floz.(236 cm <sup>3</sup> )	6.4 floz.(189 cm <sup>3</sup> )	3.2 floz.(94 cm <sup>3</sup> )
5.0 Us-gal. (18.9 l)	16.0 floz.(473 cm <sup>3</sup> )	12.8 floz.(378 cm <sup>3</sup> )	6.4 floz.(189 cm <sup>3</sup> )

### Fuel mixture

The engine of the chain saw is a high-efficiency two-stroke engine. It runs on a mixture of gasoline and two-stroke engine oil.

The engine is designed for unleaded regular gasoline with a min. octane value of 91 ROZ. In case no such fuel is available, you can use fuel with a higher octane value. This will not affect the engine.

**In order to obtain an optimum engine output and to protect your health and the environment use unleaded fuel only. Gasoline which contains alcohol should not be used in MAKITA products.**

For lubricating the engine use a high-performance two-stroke engine oil (quality grade JASO FC or ISO EGD specifications), which is added to the fuel. The engine has been designed for use of MAKITA HP 100 high-performance two-stroke engine oil and a mixture ratio of only 100:1 to protect the environment. In addition, a long service life and reliable operation with a minimum emission of exhaust gases are ensured.

MAKITA HP 100 high-performance two-stroke engine oil is available in the following sizes:

0.5 l order number 980 008 609

MAKITA high-performance two-stroke engine oil is available in the following sizes to suit your individual requirements:

1 l order number 980 008 607

100 ml order number 980 008 606

In case MAKITA high-performance two-stroke engine oil is not available, it is urgently recommended to use a mixture ratio of 40:1 with other two-stroke engine oils, as otherwise optimum operation of the engine cannot be guaranteed.

### The correct mixture ratio:

**50:1** when using MAKITA high-performance two-stroke engine oil, i. e. mix 50 parts gasoline with 1 part oil.

**100:1** when using MAKITA HP 100 high-performance two-stroke engine oil, i. e. mix 100 parts gasoline with 1 part oil.

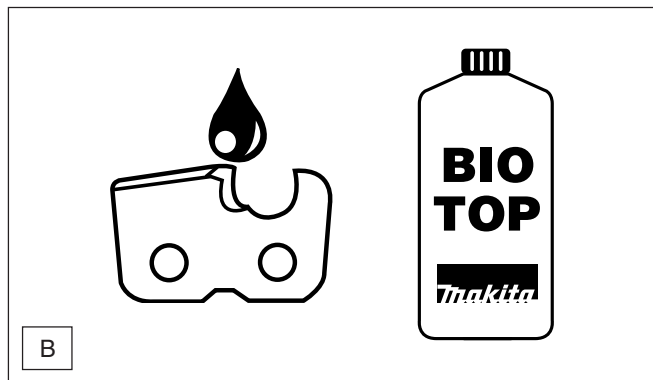
**40:1** when using other two-stroke engine oils, i. e. mix 40 parts gasoline with 1 part oil.

### Handling and storage

Utmost care is required when handling with fuel. Fuel can contain substances which have a behavior similar to that of solvents. Fill the tank only outside or ventilated rooms. Do not inhale vapors, avoid any fuel contact with your skin. For preparing the fuel-oil mixture first mix the entire oil quantity with half of the fuel required, then add the remaining fuel. Thoroughly shake the mixture before filling it into the chain saw tank.

It is not wise to add more engine oil than specified to ensure safe operation. This will only result in a higher production of combustion residues which will pollute the environment and clog the exhaust channel in the cylinder as well as the muffler. In addition, fuel consumption will rise and performance will decrease.

Fuel cannot be stored for an unlimited period of time. Buy only as much as will be consumed in 4 weeks. **Use only approved and marked containers for transport and storage.**



### Chain oil

Use an oil with adhesive additive for lubricating the chain and guide bar. The adhesive additive prevents the oil from being flung off the chain too quickly.

We recommend the use of chain oil which is bio-degradable in order to protect the environment. The use of bio-degradable oil may even be required by local regulations.

The chain oil BIOTOP sold by MAKITA is made of special vegetable oils and is 100% bio-degradable. BIOTOP has been granted the "blue angel" (Blauer Umweltschutz-Engel) for being particularly environment-friendly (RAL UZ 48).

BIOTOP chain oil is available in the following sizes:

1 l order number 980 008 610

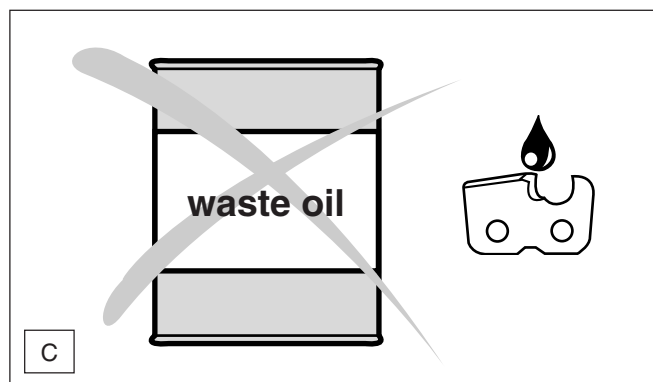
5 l order number 980 008 611

Bio-degradable oil is stable only for a limited period of time. It should be used within 2 years from the date of manufacture (printed on the container).

### Important note on bio-degradable chain oils:

If you are not planning to use the saw again for an extended period of time (longer than the expiration date of the chain oil), empty the oil tank and put in a small amount of regular **engine oil** (SAE 30), and then run the saw for a time. This is necessary to flush out all remaining bio-degradable oil from the oil tank, oil-feed system, chain and guide bar, as many such oils tend to leave sticky residues over time, which can cause damage to the oil pump or other parts.

The next time you use the saw, fill the tank with BIOTOP chain oil again.



### NEVER USE WASTE OIL

Waste oil is very dangerous for the environment.

Waste oil contains high amounts of carcinogenic substances.

Residues in waste oil result in a high degree of wear and tear at the oil pump and the sawing device.

In case of damage caused by using waste oil or inappropriate chain oil the product guarantee will be null and void.

Your salesman will inform you about the use of chain oil.

## AVOID SKIN AND EYE CONTACT



Mineral oil products degrease your skin. If your skin comes in contact with these substances repeatedly and for an extended period of time, it will desiccate. Various skin diseases may result. In addition, allergic reactions are known to occur.

Eyes can be irritated by contact with oil. If oil comes into your eyes, immediately wash them with clear water.

If your eyes are still irritated, see a doctor immediately!

## Refuelling



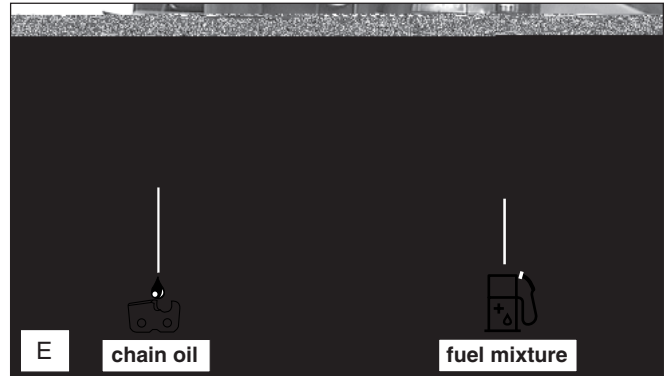
### FOLLOW THE SAFETY PRECAUTIONS ON PAGE 7!

Be careful and cautious when handling fuels.

The engine must be switched off!

- Thoroughly clean the area around the caps, to prevent dirt from getting into the fuel or oil tank.
- Unscrew the cap and fill the tank with fuel (fuel/oil mixture) or chain oil as the case may be. Fill up to the bottom edge of the filler neck. Be careful not to spill fuel or chain oil!
- Tightly screw on the cap.

After refuelling, clean screw cap, tank and check for leakages.

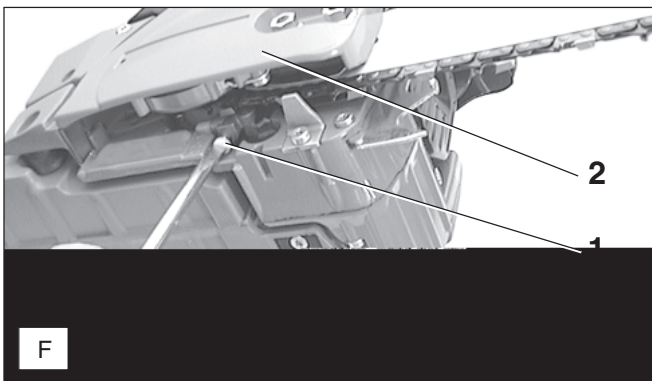


## Lubricating the chain



During operation there must always be sufficient chain oil in the chain-oil tank to provide good chain lubrication. One filling is sufficient for about one half-hour of continuous operation. While working make sure there is enough chain oil in the tank. If necessary, add oil. **The engine must be switched off!**

## Adjusting the chain lubrication

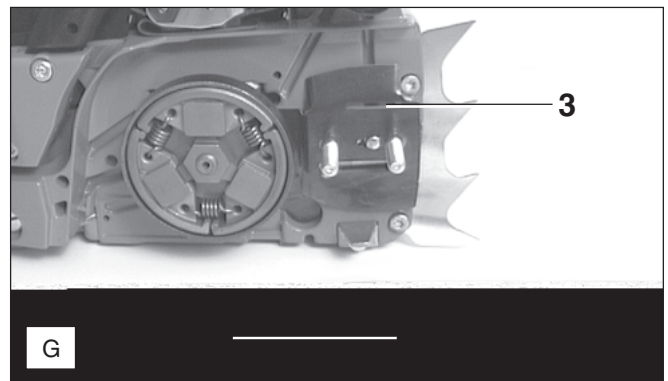


The engine must be switched off.

You can adjust the oil pump feed rate with the adjusting screw (F/1). The adjusting screw is located in the housing underneath the sprocket guard (F/2). It is accessible from below.

The oil pump comes factory-set to a medium feed rate.

**Note:** To set from minimum to maximum oil supply, turn the adjusting screw (F/1 with adjustment markings) **max.** a 1/4-turn.



To ensure troublefree operation of the oil pump the oil guide groove at the crank case (G/3) and the oil inlet bore in the guide bar (G/4) must be cleaned regularly.

To change the feed quantity use the universal wrench and adjust the adjusting screw (F/1) in the following way:

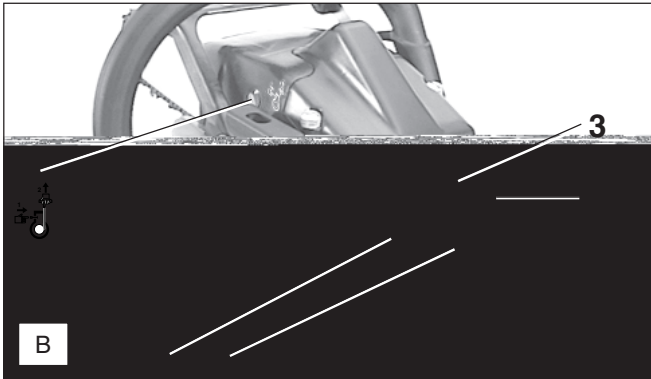
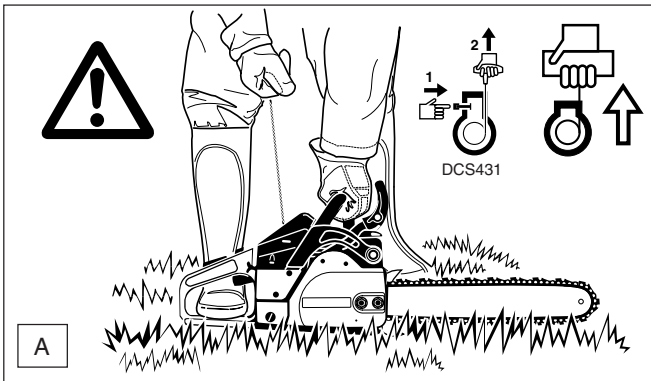
- Turn to the right to reduce the feed rate.
- Turn to the left to increase the feed rate.

**Note:** After the saw has been turned off it is normal for residual chain oil to drip from the oil feed system, the guide bar and the chain for a time. This does not constitute a defect!

Place the saw on a suitable surface.



## Starting the engine



### Cold-starting the DCS430, 431, 520, 540, 5200:

The carburetors of these saws have a **choke valve** for cold starting (mixture enrichment).

To make it easier to start, the chain saw DCS431 is equipped with a semi-automatic decompression valve (B/5). Pushing this valve in reduces the amount of compression effort needed, so that it is easier to bring the engine up to starting speed when pulling the starter cable. The high pressure increase in the combustion chamber that results from the first ignitions will automatically close the decompression valve (button pops back out).


**Model DCS430, DCS520 and DCS5200 do not have a decompression valve. Starting and carburetor adjustment are as for model DCS 431 except without the instruction "Push the decompression valve".**

- Put the short-circuit ignition switch in the "I" position (B/1).
- Pull out the choke (B/2).
- Depress the half-throttle lock button (B/3) half-way and hold.
- Depress the throttle (B/4) and half-throttle lock button (B/3) all the way. Release the throttle - it will now be held at half-throttle by the lock button.
- Push the decompression valve (B/5) (only DCS431).
- Slowly pull out the starter cable until you notice resistance (the piston is positioned before the top dead center).
- **Now pull the starter cable with a fast and forceful movement until you hear the first ignition.**

**CAUTION:** Do not pull out the starter cable more than approx. 50 cm, and lead it back by hand.

- **When you hear the first ignition, push the choke (B/2) in.** Push the decompression valve again (only DCS431) and pull the starter cable. As soon as the engine is running, press the throttle (B/4) to release the half-throttle lock (B/3), allowing the engine to idle.

**CAUTION:** As soon as the engine is started it must be put in idle to prevent the chain brake from being damaged.

- Now release the chain brake. 



- Move at least 10 feet (3 m) away from the place where you fuelled the saw.
- Make sure you have a good footing, and place the saw on the ground in such a way that the chain is not touching anything.
- Engage the chain brake (lock).
- Hold the tubular handle tightly with one hand and press the chain saw to the ground.
- Steady the rear handle by standing in the hand guard.

### Cold-starting the DCS520i and DCS5200i:

The carburetors of these saws have a **fuel-injection system** (injection carburetor) for cold starting (mixture enrichment).

These two cold-starting systems work differently.

- Put the short-circuit ignition switch in the "I" position (B/1).
- Pull out the choke (B/2) (opens the injection valve).
- Depress the half-throttle lock button (B/3) half-way and hold.
- Depress the throttle (B/4) and half-throttle lock button (B/3) all the way. Release the throttle - it will now be held at half-throttle by the lock button.


**Note:** If the temperature is below -15° C (5° F) start at full throttle.

- Slowly pull out the starter cable until you notice resistance (the piston is positioned before the top dead center).
- **Now pull the starter cable with a fast and forceful movement until you hear the first ignition.**

**CAUTION:** Do not pull out the starter cable more than approx. 50 cm, and lead it back by hand.

- **Push in the choke (B/2) when the engine starts, or after the first audible ignitions.**
- If the engine has not yet started, keep pulling the starter cable until it does.
- As soon as the engine is running, press the throttle (B/4) to release the half-throttle lock (B/3), allowing the engine to idle.

**CAUTION:** As soon as the engine is started it must be put in idle to prevent the chain brake from being damaged.

- Now release the chain brake. 

### Warm starting (all models):

- As described above for cold starting, but without using the choke (B/2). Keep the choke in.

### Starting under special conditions

(MAKITA DCS520i and DCS5200i only):

In conditions of high ambient temperature and when the engine has been stopped for only a short period following full-load operation, if a fuel with a low boiling point is used (winter fuel), and at high altitudes especially, the heat could prevent the engine from starting immediately. If this happens, proceed as follows:

- Pull out the choke (B/2) and start the engine at half-throttle, as described for cold starting.
- When the engine has started, **release the chain brake immediately** and gun the engine all the way several times until it runs smoothly.
- Now push in the choke (B/2).

### If the engine won't start:

If the engine refuses to start even after a number of tries, check the spark plug (see the section on "Replacing the spark plug").

### Stopping the engine



- Put the short-circuiting switch (B/1) in position "O" (STOP).



## Checking the chain brake

### **Do not work with the chain saw without first checking the chain brake!**

- Start the engine as described (make sure you have a good footing, and place the chain saw on the ground in such a way that the guide bar is free of contact).
- Grasp the tubular handle firmly with one hand and hold the grip with the other.
- With the engine running at moderate speed, press the hand guard (C/1) in the direction of the arrow with the back of your hand until the chain brake engages. The chain should stop immediately.
- Immediately release the throttle and release the chain brake.

**IMPORTANT: If the chain does not stop immediately when you test the chain brake, do NOT use the chain saw. Take the chain saw to a MAKITA service center for repair.**

## Adjusting the carburetor

## Workin

ter



In order f  
ature cc  
operatir  
heated

At temp  
fed hea

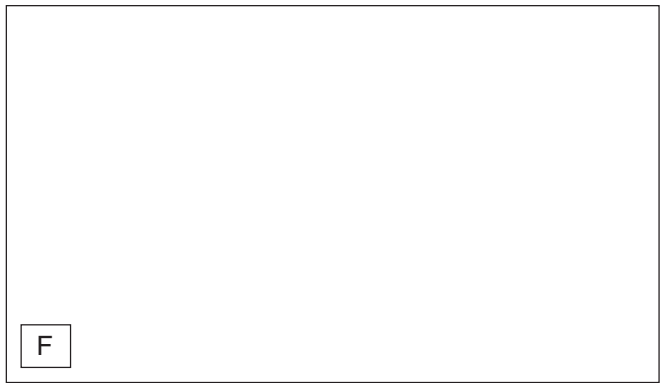
**Failure  
to the**

carburetor icing in conditions of low temper-  
th high humidity, and in order to get up to  
ature faster in subfreezing temperatures,  
taken from the cylinder.

above freezing the carburetor must NOT be

**W these instructions can lead to damage  
and piston!**

- re the filter cover and air filter (see "Cleaning the air



- The sharpening angle  $\alpha$  must be identical for all cutters! Different angles result in a roughly, irregularly running chain, increase wear and tear and cause chain beakage.
- The front rake  $\beta$  of the cutter results from the cut depth of the round file. If the proper file is used in the right manner, the correct front rake will be obtained automatically.

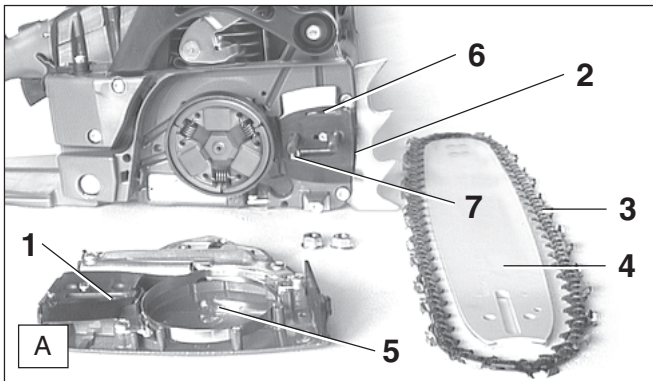
## Cleaning the guide bar

**CAUTION:**  
Protective gloves must be worn.



Regularly inspect the bearing surfaces of the guide bar for damage, and clean them with a suitable tool.

## Cleaning the brake band and sprocket interior



**CAUTION:** Before doing any work on the guide bar or chain, always switch off the engine and pull the plug cap off the spark plug (see "Replacing the spark plug"). Always wear protective gloves!

**CAUTION:** Start the chain saw only after having assembled it completely and inspected!

- Remove the sprocket guard (A/1) (See "PUTTING INTO OPERATION" figs. A and B).
- Turn the chain tightener screw (A/2) to the left (counter-clockwise) until you feel resistance.
- Remove the chain (A/3) and guide bar (A/4).
- Clean the interior with a brush, in particular the brake-band area (A/5).

### NOTE:

Make sure that no residue or contaminants remain in the oil guide groove (A/6) and the chain tightener (A/7).

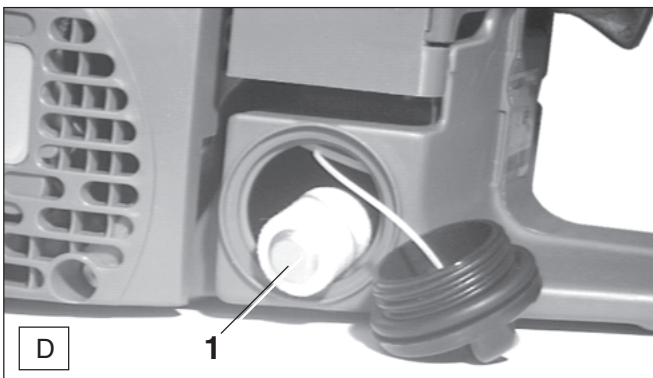
- For replacing the guide bar, chain, and sprocket see "PUTTING INTO OPERATION".

### NOTE:

The chain brake is a very important safety device and like any other component subject to normal wear and tear.

Regular inspection and maintenance are important for your own safety and must be done by a MAKITA service center.

## Replacing the fuel filter



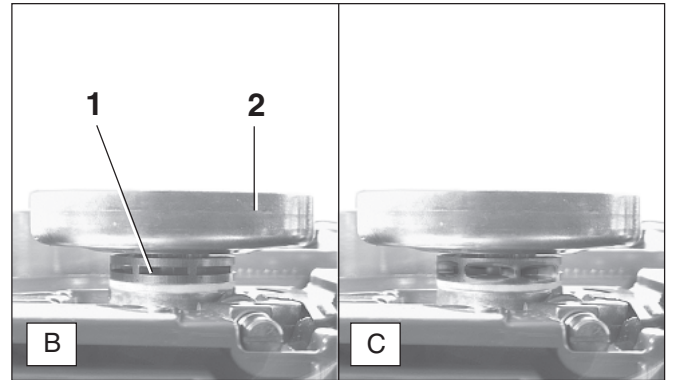
The felt filter (D/1) of the fuel filter can become clogged. It is recommended to replace the fuel filter once every three months in order to ensure unimpeded fuel flow to the carburetor.

To remove the fuel filter for replacement, pull it out through the tank filler neck using a piece of wire bent at one end to form a hook.

## Replacing the saw chain

### CAUTION:

Use only chains and guide bars designed for this saw (see the Extract from the spare-parts list and page 18)!



Check the sprocket (B/1) before mounting a new chain.

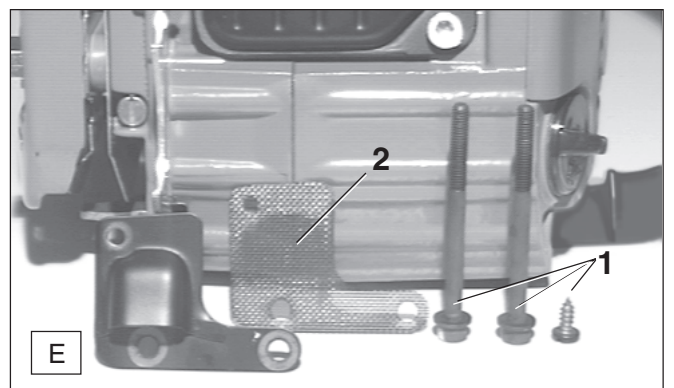
The sprocket is located underneath the clutch drum (B/2).

### CAUTION:

Worn out sprockets (C) may damage the new chain and must therefore be replaced. If the wear marks on the teeth are very pronounced (about 0,5 mm /0.02" deep), the sprocket should be replaced.

Do not attempt to replace the sprocket yourself. Sprocket replacement requires special training and tools and must be done at a MAKITA service center.

## Replacing/cleaning the spark arrester screen



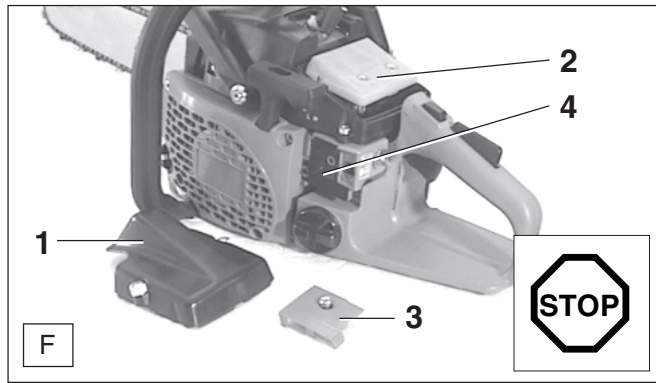
The spark arrester screen should be checked and cleaned regularly.

- Loosen the 3 screws (E/1) and remove the spark arrester screen (E/2).
- Reassembly the spark arrester screen and tighten the screws. The two long screws must be tightened with a torque of 6,3 ft. lb.(8,5 Nm).

### CAUTION:

Do not use sharp or pointed objects for screen cleaning. Damaged or misformed screen wires may result.

## Cleaning the air filter



- Remove the filter cover (F/1) (2 screws).
- Loosen the screws on the air filter (F/2) and remove from intake manifold.
- Loosen the screw on the prefilter cover (F/3) and remove.
- Remove prefilter (F/4).

### IMPORTANT:

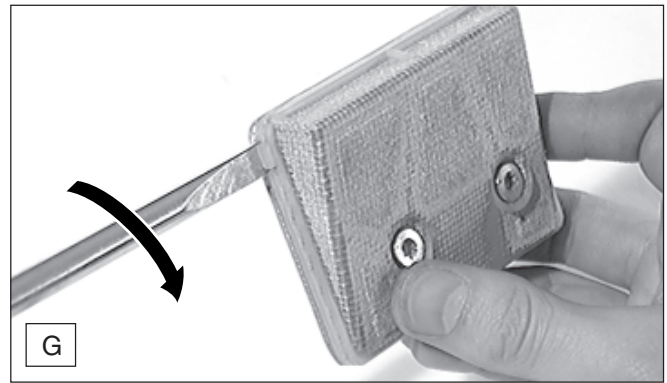
Cover the intake opening with a clean cloth to prevent dirt particles from getting into the carburetor.

- Pry apart the top and bottom of the air filter as shown in Figure G.

### CAUTION:

To prevent injury to the eyes, do NOT blow out dirt particles!

Do not use fuel to clean the air filter and prefilter.



- Clean the air filter and prefilter with a soft brush.
- If the filter is very dirty, clean it in lukewarm water with dishwashing detergent.
- Let the air filter **dry completely**.
- Put the top and bottom sections back together.
- Before reinstalling the air filter, check the intake opening and remove any dirt particles. If there are any, remove them with a brush.

Clean frequently (several times a day) when working in very dusty or dirty conditions. Full engine power is possible only with a clean air filter and prefilter!

**CAUTION: If the air filter or prefilter becomes damaged, replace immediately!**

**Pieces of cloth or large dirt particles can destroy the engine!**

## Replacing the spark plug



### CAUTION:

Do not touch the spark plug or plug cap if the engine is running (high voltage).

Switch off the engine before starting any maintenance work.

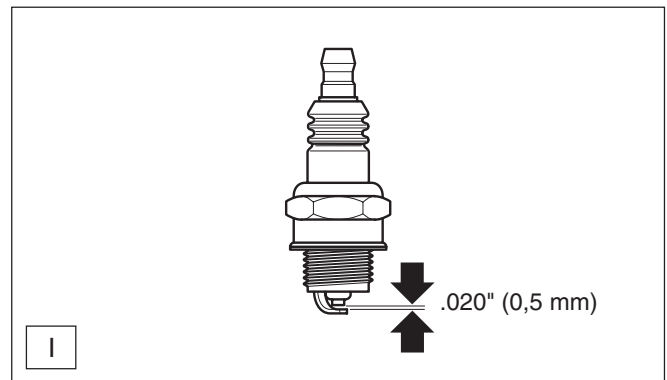
**A hot engine can cause burns. Wear protective gloves!**

The spark plug must be replaced in case of damage to the insulator, electrode erosion (burn) or if the electrodes are very dirty or oily.

- Remove the filter cover (see "Cleaning the air filter").
- Pull the plug cap (H/1) off the spark plug. Use only the combination wrench supplied with the saw to remove the spark plug.

**CAUTION:** Use only the following spark plugs:

**BOSCH WSR 6F or NGK BPMR 7A.**



### Electrode gap

The electrode gap must be .020" (0.5 mm).

### Checking the ignition spark

- Press the loosened spark plug with the ignition cable firmly connected against the cylinder using insulated pliers (not near the spark plug opening).
- ON/OFF switch in the "I" (ON) position.
- Pull the starter cable hard.

If the function is correct, an ignition spark must be visible near the electrodes.



## Replacing the starter cable



- Unscrew the four screws (A/1) holding down the fan housing (A/2). Lift the housing slightly, pull in the direction of the arrow, and remove.
- Remove all pieces of cable.

- Thread in a new cable (4 mm/.16" dia. x 1000 mm/39" long) as shown in Figure B and tie the ends as shown.
- Pull knot (B/1) into the cable pulley (B/3).
- Pull knot (B/2) into the cable grip (B/4).
- Wind the cable around the pulley in the direction shown by the arrow. Pull the cable out from the pulley by the grip, then hold the pulley firmly and wrap the cable around it another three times.

**CAUTION: Danger of injury! Secure the cable grip when pulled out! It will whip back if the cable pulley is released by accident.**

**NOTE:** With the cable pulled all the way out, it must still be possible to turn the pulley another 1/4 turn against the return spring.

## Replacing the return spring

- Remove the fan housing (see above under "Replacing the starter cable").
- Take off the circlip (C/1) and washer (C/2) (circlip pliers, see "Accessories").
- Remove the cable pulley (C/3).
- Unscrew screws (C/4) and carefully remove spring housing (C/5) with spring.

**CAUTION: Danger of injury! If the spring is broken it may pop out!**

### **NOTE:**

The old spring and spring housing should be recycled.

Replacement springs come already installed in a new spring housing. Before installing, grease the spring lightly with multi-purpose grease, order No. 944 360 000.

- Assemble in reverse order. When putting the cable pulley back on, turn it slightly until you feel it catch.
- Wind on the starter cable as described above under "Replacing the starter cable."

## Mounting the fan housing

- Push the tab (D/1) extending out from the edge of the fan housing (D/3) under the hood (D/2).
- Position the screw holes.
- Push the fan housing (D/3) gently and pull the starter grip until the starter catches.
- Screw in the four fastening screws tightly.

## Instructions for daily and periodic maintenance

To ensure long life, prevent damage and ensure the full functioning of the safety features the following maintenance must be performed regularly. Guarantee claims can be recognized only if this work is performed regularly and properly. Failure to perform the prescribed maintenance work can lead to accidents!

Perform the following servicing work daily after use. Make a habit of it, it does not require much time and your saw will always function properly.

Possibly hidden faults can be detected in this manner before causing expensive and annoying interruptions of your work. In case you should detect a fault in the safety equipment when performing daily servicing, the saw must not be used before elimination of the fault. The user of the chain saw must not perform maintenance work which is not described in the instruction manual. All such work must be carried out by a MAKITA service center.

			Page
<b>General</b>	Chain saw	Clean exterior, check for damage. In case of damage, have repaired by a qualified service center immediately	25-26
	Saw chain	Sharpen regularly, replace in good time	
	Chain brake	Have inspected regularly at an authorized service center	20
	Guide bar	Turn over to ensure even wear of bearing surfaces Replace in good time	
<b>Before each start</b>	Saw chain	Inspect for damage and sharpness	25
		Check chain tension	20
	Guide bar	Check for damage	24
	Chain lubrication	Functional check	
	Chain brake	Functional check	20
	Chain catch	Check for damage	23-24
OFF switch, Throttle stopper, Throttle lever	Functional check		
Fuel/oil tank cap	Check for tightness and leakages		
<b>Dayli servicing</b>	Air filter, prefilter	Clean (more often if necessary)	28
	Chain brake	Clean, check for visible damage or cracks	27
	Guide bar	Clean, in particular the oil guide groove	22
	Guide bar support	Check for damage, clean oil intake bore	22, 27
	Idle speed	Check that a sufficient difference is existing between idling speed and engaging speed, to ensure that the chain is in standstill while the engine is idling.	24
<b>Every week</b>	Fan housing	Clean to ensure proper air cooling	29
	Starter cable	Check for damage	29
	Carburetor interior	Clean (remove filter cover for access)	28
	Chain brake	Clean the brake band (sawdust, oil)	27
	Spark plug	Check and replace if necessary	28
	Muffler	Check tightness of mounting, clean spark arrester screen	27
	Chain guide	Check	26
<b>Every 3 months</b>	Fuel filter	Replace	27
	Fuel, oil tanks	Clean	22
<b>Annually</b>	Chain saw	Check at an authorized service center	
<b>Storage</b>	Chain saw	Clean exterior, check for damage. In case of damage, have repaired by a qualified service center immediately	26
	Guide bar/chain	Demount, clean and oil slightly	
		Clean the guide groove	
	Fuel, oil tanks	Empty and clean	
	Carburetor	Run empty	

## Service, spare parts and guarantee

### Maintenance and repair

The maintenance and repair of modern engines as well as all safety devices require qualified technical training and a special workshop equipped with special tools and testing devices.

We therefore recommend that you consult a MAKITA service center for all work not described in this instruction manual.

The MAKITA service centers have all the necessary equipment and skilled and experienced personnel, who can work out cost-effective solutions and advise you in all matters.

Please contact the general agent or importer indicated on the back cover of this Instruction Manual, who will gladly provide you with the address of your nearest MAKITA service center.

## Spare parts

Reliable long-term operation, as well as the safety of your chain saw, depend among other things on the quality of the spare parts used. Use only original MAKITA parts, marked



Only original spare parts and accessories guarantee the highest quality in material, dimensions, function and safety.

Original spare parts and accessories can be obtained from your local dealer. He will also have the spare part lists to determine the required spare part numbers, and will be constantly informed about the latest improvements and spare part innovations.

Please bear in mind that if parts other than original MAKITA spare parts are used, this will automatically invalidate the MAKITA product guarantee.

## Guarantee

MAKITA guarantees the highest quality and will therefore reimburse all costs for repair by replacement of damaged parts resulting from material or production faults occurring within the guarantee period after purchase. Please note that in some countries particular guarantee conditions may exist. If you have any questions, please contact your salesman, who is responsible for the guarantee of the product.

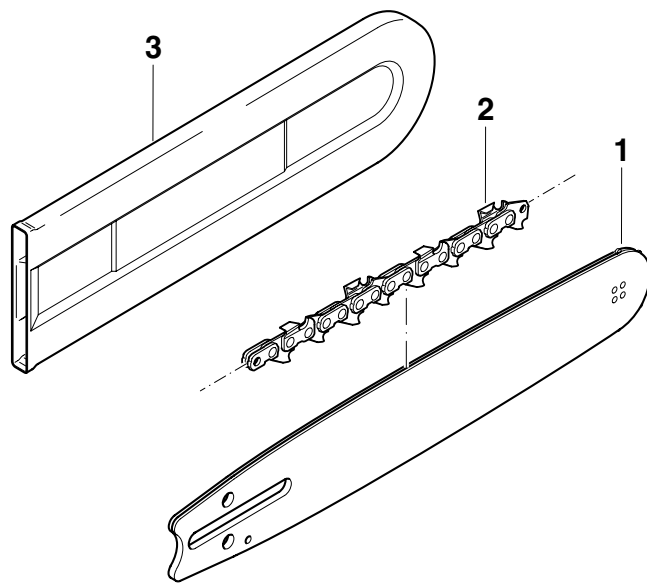
Please note that we cannot accept any responsibility for damage caused by:

- Disregard of the instruction manual.
- Non-performance of the required maintenance and cleaning.
- Incorrect carburetor adjustment.
- Normal wear and tear.
- Obvious overloading due to permanent exceeding of the upper performance limits.
- Use of guide bars and chains which have not been approved.
- Use of guide bar and chain lengths which have not been approved.
- Use of force, improper use, misuse or accidents.
- Damage from overheating due to dirt on the fan housing.
- Work on the chain saw by unskilled persons or inappropriate repairs.
- Use of unsuitable spare parts or parts which are not original MAKITA parts, insofar as they have caused the damage.
- Use of unsuitable or old oil.
- Damage related to conditions arising from lease or rent contracts.

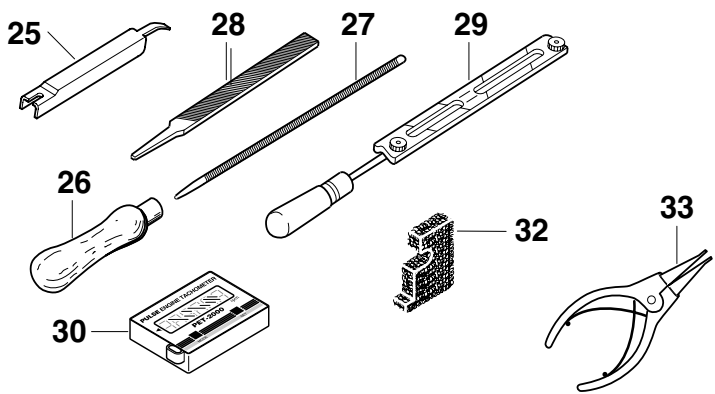
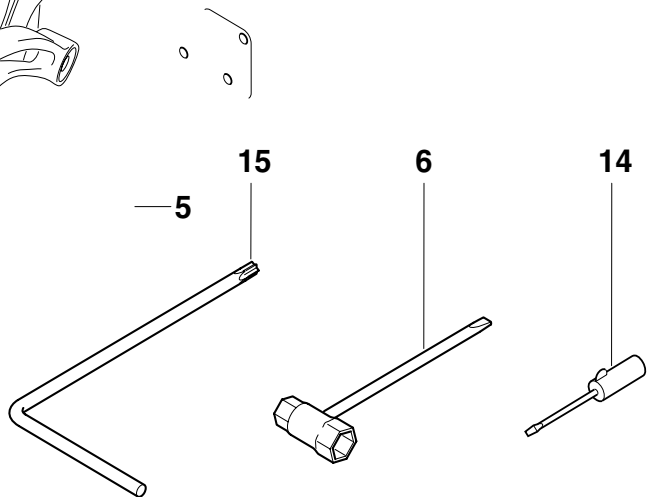
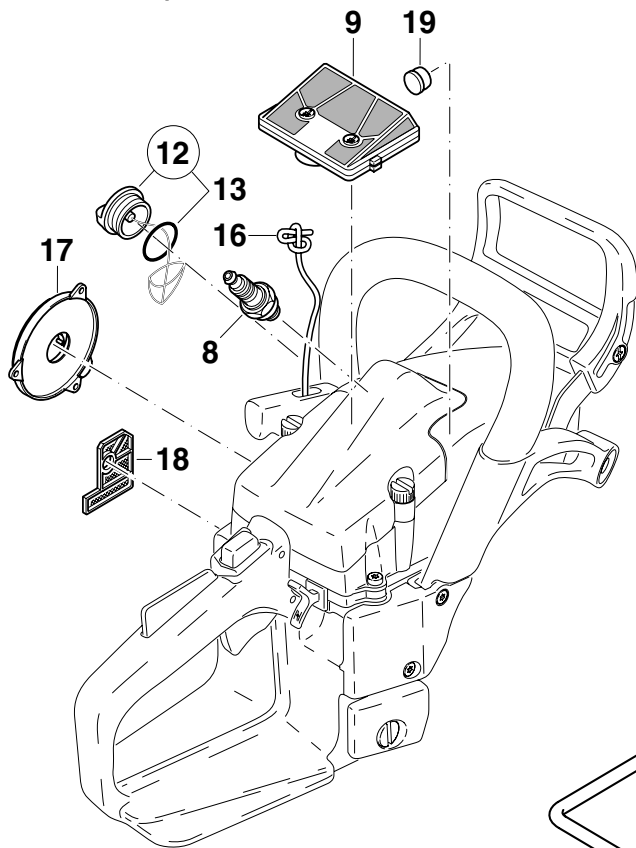
Cleaning, servicing and adjustment work is not covered by the guarantee. All repairs covered by the guarantee must be performed by a MAKITA service center.

## Troubleshooting

Malfunction	System	Observation	Cause
Chain does not run	Chain brake	Engine runs	Chain brake actuated.
Engine does not start or only with difficulty	Ignition system  Fuel supply  Compression system  Mechanical malfunction	Ignition spark  No ignition spark  Fuel tank is filled  Inside  Outside Starter does not engage	Malfunction in fuel supply system, compression system, mechanical malfunction. Switch on STOP, fault or short-circuit in the wiring, plug cap or spark plug defective. Choke in wrong position, carburetor defective, fuel filter dirty, fuel line bent or interrupted. Cylinder base packing ring defective, radial shaft packings defective, cylinder or piston rings defective Spark plug does not seal. Spring in starter broken, broken parts inside the engine.
Warm start difficulties	Carburetor	Fuel tank is filled Ignition spark	Wrong carburetor adjustment.
Engine starts, but dies immediately	Fuel supply	Fuel tank is filled	Wrong idling adjustment, fuel filter or carburetor dirty. Tank venting defective, fuel line interrupted, cable defective, STOP switch defective. Decompression valve dirty (DCS431).
Insufficient power	Several systems may be involved simultaneously	Engine is idling	Air filter or prefilter dirty, wrong carburetor adjustment, muffler clogged, exhaust channel in cylinder clogged, spark arrester screen clogged.
No chain lubrication	Oil tank/pump	No oil on the chain	Oil tank empty. Oil guide groove dirty. Oilpump adjusting screw incorrectly adjusted.



Pos.	MAKITA-No.	Qty.	Denomination
1			Sprocket nose bar (see "approved bar and chain combinations", page 17)
2			Saw chain (see "approved bar and chain combinations", page 17)
3	952 100 633	1	Chain protection .325" for 15", 18"
	952 100 643	1	Chain protection 3/8" for 15", 18"
	952 100 653	1	Chain protection 3/8" for 21"
4	027 213 651	1	Sprocket guard, cpl.
5	923 208 004	2	Hexagonal nut M8
6	941 719 131	1	Universal wrench SW 13/19
7	010 114 010	1	Fuel filter
8	965 603 021	1	Spark plug
9	020 173 300	1	Air filter (robbkoflok)
10	965 451 901	1	Fuel tank cap, cpl.
11	963 232 045	1	O-Ring 31x4,5
12	010 114 031	1	Oil tank cap, cpl.
13	963 100 050	1	Gasket
14	944 340 001	1	Carburetor screwdriver (only in delivery for model DCS5200i, DCS5200)
15	940 827 000	1	Offset screwdriver
16	108 164 020	1	Starter cable
17	020 163 031	1	Return spring with housing
18	020 173 011	1	Prefilter
19	965 404 230	1	Plug
20	915 042 130	1	Screw
21	020 174 121	1	Deflector plate
22	020 174 110	1	Spark arrester screen
23	908 205 625	2	Fillister head screw
24	928 405 000	2	Spring washer



**Accessories** (not delivered with the chain saw)

25	953 100 090	1	Chain gauge
26	953 004 010	1	File handle
27	953 003 090	1	Round file, dia. 4,0 mm
	953 003 100	1	Round file, dia. 4,5 mm
	953 003 070	1	Round file, dia. 4,8 mm
28	953 003 060	1	Flat file
29	953 030 010	1	File holder
30	950 233 210	1	Tachometer
32	020 173 061	1	Snow filter
33	946 101 010	1	Circlip pliers
-	949 000 035	1	Combined can (for 5l fuel, 2.5l chain oil)

## EMISSIONS COMPONENT DEFECT WARRANTY COVERAGE

MAKITA U.S.A, Inc garantit à l'acheteur au détail initial et à chaque propriétaire ultérieur que cet équipement utilitaire est conçu, construit et équipé en conformité, à la date d'achat initiale, à toutes réglementations applicables de l' U.S. Environmental Protection Agency (Agence de protection environnementale des Etats-Unis) et que le moteur est exempt de tout défaut de matériaux et de main d'œuvre susceptible de le rendre non conforme aux réglementations de l'EPA pendant sa durée de garantie.

Pour les composants figurant sous PIECES COUVERTES, le concessionnaire agréé par MAKITA fera gratuitement le diagnostic nécessaire, la réparation ou le remplacement de façon à ce que le moteur soit conforme aux réglementations applicables de l'US EPA.

### PERIODE DE GARANTIE POUR LES DÉFAUTS DE COMPOSANTS D'EMISSION

La période de garantie pour ce moteur commence à la date où il a été vendu à l'acheteur initial et continue pendant une période de 2 ans.

### PIECES COUVERTES

Les pièces figurant ci-dessous sont couvertes par la garantie concernant les défauts de composants d'émission. Certaines pièces figurant ci-dessous peuvent nécessiter une maintenance planifiée et sont garanties jusqu'au premier point de remplacement prévu pour cette pièce.

#### Système de dosage de combustible

Carburateur et pièces internes  
Filtre à carburant, si applicable  
Obturbateur d'étrangleur, si applicable  
Système de starter, si applicable

#### Système d'allumage

Bougie d'allumage  
Volant magnétique  
Bobine d'allumage

#### Système à induction d'air

Préfiltre, si disponible, filtre à air  
Carter de filtre à air, manchon de jonction

#### Unités diverses utilisées dans les systèmes ci-dessus

Tuyaux d'essence, brides et joints d'étanchéité

### OBTENTION DU SERVICE DE GARANTIE

Pour obtenir le service de garantie, apportez la machine au centre de service après-vente MAKITA le plus proche ou le service SAV agréé par MAKITA et fournir la preuve d'achat indiquant la date d'achat de cette machine. Le concessionnaire SAV agréé par MAKITA effectuera les réparations ou réglages nécessaires en un temps raisonnable et vous remettra une copie de la commande de réparation. Toutes les pièces et tous les accessoires remplacés sous cette garantie deviendront la propriété de MAKITA.

### CE QUI N'EST PAS COUVERT

- Dommages dus à une manipulation impropre, usage incorrect, ajustage inadéquat (à moins qu'ils étaient effectués par le concessionnaire SAV agréé par MAKITA pendant une réparation de garantie), altération, accident, défaut d'utiliser l'essence et l'huile recommandée ou le fait de n'avoir pas effectué les services d'entretien nécessaires.
- Les pièces de rechange utilisées pour les services d'entretien nécessaires
- Dommages conséquents comme perte de temps, désagréments, perte due à la non-utilisation de la machine ou de l'équipement etc.
- Frais de diagnostic et d'inspection n'aboutissant pas à la réalisation d'un service de garantie
- Toute pièce de rechange non-autorisée, ou mauvais fonctionnement de pièces autorisées dû à l'utilisation de pièces non-autorisées.

### RESPONSABILITÉS DE GARANTIE DU PROPRIÉTAIRE

En tant que propriétaire de la machine, vous êtes tenu responsable de l'exécution de la maintenance requise indiquée dans le manuel du propriétaire. MAKITA recommande de conserver toutes les quittances couvrant l'entretien de votre machine, car MAKITA ne peut pas refuser la garantie seulement à cause du manque de quittances ou parce que vous avez manqué à assurer la réalisation de toute la maintenance prévue. En tant que propriétaire de la machine, vous devez toutefois être conscient que MAKITA peut refuser la couverture de la garantie si votre machine ou une partie de celle-ci est défectueuse à cause d'abus, de négligence, de maintenance inadéquate ou de modifications non autorisées. Vous avez la responsabilité de présenter votre machine au concessionnaire SAV agréé par MAKITA le plus proche en cas de problème. Pour toute question concernant vos droits de garantie et responsabilités, n'hésitez pas à contacter le Département de Service de Garantie MAKITA à 1-888-OPE-PART.

### CHOSSES À SAVOIR CONCERNANT LA GARANTIE DU SYSTÈME DE CONTRÔLE D'ÉMISSION :

#### MAINTENANCE ET RÉPARATIONS

Vous êtes responsable de la maintenance adéquate de la machine. Vous devez conserver tous les reçus et les rapports d'entretien concernant la réalisation de l'entretien régulier en cas de problèmes. Ces reçus et rapports d'entretien doivent être transmis à tout propriétaire suivant de la machine. MAKITA se réserve le droit de refuser la couverture de garantie si la machine n'a pas été entretenue convenablement. Les réclamations faites au titre de la garantie ne seront pas refusées, à moins que la maintenance requise n'ait pas été effectuée ou que les rapports d'entretien n'aient pas été conservés.

LA MAINTENANCE, LE REMPLACEMENT ET LA RÉPARATION D'UNITÉS DE CONTRÔLE D'EMISSION DOIVENT ÊTRE EFFECTUÉS PAR UNE PERSONNE QUELCONQUE OU TOUT ETABLISSEMENT DE RÉPARATION ; TOUTEFOIS, LES RÉPARATIONS SOUS GARANTIE DOIVENT ÊTRE REALISÉES PAR UN CONCESSIONNAIRE SAV AGRÉÉ PAR MAKITA. L'UTILISATION DE PIÈCES NON EQUIVALENTES SUR LE PLAN PERFORMANCE ET DURABILITÉ AUX PIÈCES AUTORISÉES PEUT PORTER ATTEINTE À L'EFFICACITÉ DU SYSTÈME DE CONTRÔLE D'EMISSION ET PEUT AVOIR UNE IMPORTANCE SUR LE RÉSULTAT D'UNE RECLAMATION FAITE AU TITRE DE LA GARANTIE.

Si des pièces autres que celles agréées par MAKITA sont utilisées pour des remplacements d'entretien ou pour la réparation de composants concernant le contrôle d'émission, vous devez vous assurer que ces pièces sont garanties par leur constructeur comme étant équivalentes aux pièces autorisées par MAKITA dans leur performance et durabilité.

#### COMMENT FAIRE UNE RÉCLAMATION

Toutes les réparations tombant sous cette garantie limitée doivent être effectuées par un concessionnaire SAV autorisé par MAKITA. Au cas où une pièce relative aux émissions s'avère être défectueuse pendant la durée de garantie, vous devez prévenir le Département de Service de Garantie MAKITA à 1-888-OPE-PART et vous serez informé par le concessionnaire garantie SAV ou des prestataires de service où la réparation sous garantie peut être effectuée.



## ATTENTION!

Une utilisation négligente ou incorrecte de ce produit peut entraîner des blessures graves ou mortelles! Avant d'utiliser une tronçonneuse ou d'autres produits MAKITA, il est important que vous ayez lu et entièrement compris et que vous suiviez avec soin les instructions fournies par le présent mode d'emploi. Le retour de chaîne peut entraîner des blessures graves ou mortelles et constitue l'un des nombreux dangers potentiels liés à l'utilisation d'une tronçonneuse. Ce mode d'emploi décrit de façon détaillée le retour de chaîne et les autres mesures de sécurité. D'autres exemplaires de ce mode d'emploi peuvent être commandés auprès de MAKITA U.S.A., INC., 14930-C Northam Street, La Mirada, CA 90638-5753, USA, Telephone: (714) 522 80 88 et de MAKITA CANADA INC., 1950 Forbes Street, Whitby, Ontario, Canada, L1N 7B7, téléphone (905) 571 22 00.

**Ce produit est en conformité avec:** la norme de sécurité pour tronçonneuses B 175.1-1991 de l'American National Standard Institute,  
la norme de sécurité pour tronçonneuses Z62.1-95 de la Canadian Standards Association,  
la norme relative au choc de recul pour tronçonneuses Z62.3-96.  
Société du génie automobile  
SAEJ 335-Juin 95 „Petit système d'échappement portable ne produisant aucune étincelle”

Cette tronçonneuse est un produit allemand de qualité. Ce mode d'emploi contient des instructions importantes pour son montage et son utilisation. Pour votre sécurité, lisez très soigneusement les instructions de prévention des accidents avant de mettre en service votre tronçonneuse car une utilisation incorrecte peut, malgré toutes les précautions prises, entraîner des accidents. Avec un peu de soin et d'attention, ce produit de toute première qualité vous rendra d'excellents services et vous donnera entière satisfaction pendant très longtemps. Dans l'appareil ont été observés les droits de protection suivants: US 4465440, US 5411382, EP 0236858, EP 0560201, GBM 8710075, GBM 8809928, GBM 9203378, GBM 29616652.



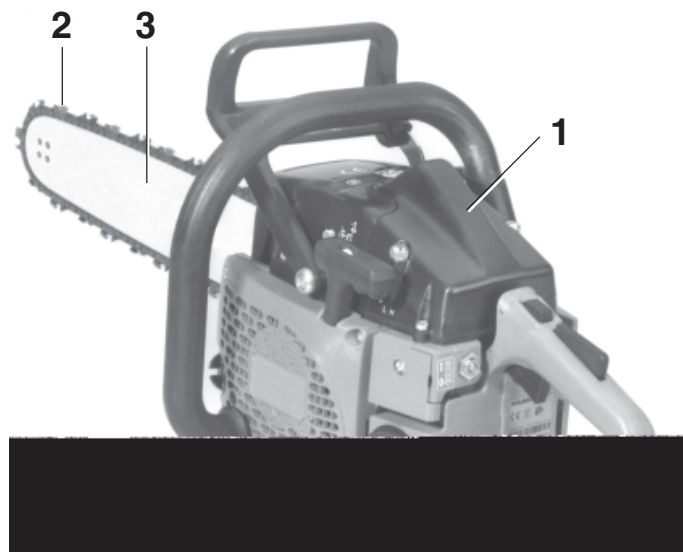
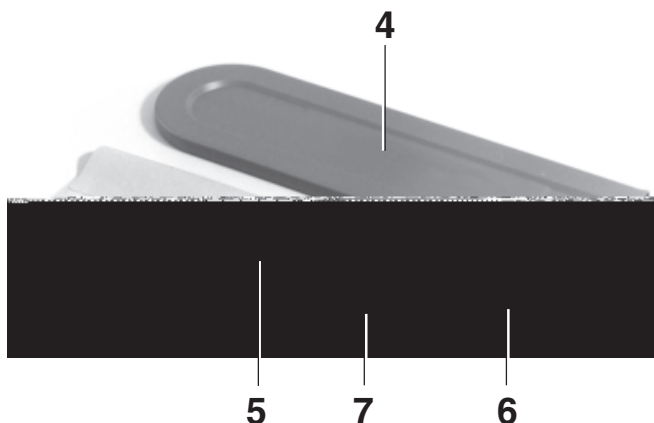
### MAKITA DCS430, 431, 520, 520i, 540, 5200, 5200i

Sommaire	page	Sommaire	page
Emballage	35	Affûtage de la chaîne de sciage	56-57
Symboles	35	Nettoyer le guide de la chaîne	57
Mesures de sécurité	36-47	Nettoyer l'intérieur de la bande de frein de chaîne et de la roue à chaîne	58
Désignation des composants	48	Nouvelle chaîne de sciage	58
Caractéristiques techniques	48	Remplacement de la crépine d'aspiration	58
Combinaisons autorisées de guides et de chaînes	48	Changement / nettoyage du pare-étincelles	58
Montage du guide et de la chaîne de sciage	49-50	Nettoyage du filtre d'air	59
Frein de chaîne de sécurité	51	Remplacement de bougie	59
Carburant/ravitaillement	51-52	Remplacement du cordon de lancement	60
Réglage du graissage de la chaîne	52	Remplacement du ressort de rappel	60
Démarrer le moteur	53	Montage du carter du ventilateur	60
Arrêter le moteur	53	Instruction d'entretien quotidien et périodique	61
Vérifier le frein de chaîne de sécurité	54	Service d'atelier, pièces de rechange et garantie	61-61
Vérifier le graissage de la chaîne	54	Recherche de pannes	62
Réglage du carburateur	54	Extrait de la liste des pièces de rechange	63
Marche hivernale	55	Liste d'adresses	64

Les tronçonneuses MAKITA DCS430/431/520/520i/540/5200i sont livrées dans un carton qui les protège des dommages dus au transport. Le carton est une matière première de base qui peut être réutilisée ou recyclée (recyclage des vieux papiers).







1. Tronçonneuse à essence
2. Chaîne
3. Guide
4. Housse de protection du guide
5. Outillage de montage
6. Tournevis coudé
7. Tournevis pour le réglage du carburateur  
(seulement pour DCS5200i, DCS5200)
8. Manuel d'emploi et de sécurité (sans illustration)

Si un des composants indiqués ici ne devait pas être dans la fourniture, veuillez vous adresser à votre vendeur!

**Symboles**

Vous rencontrerez les symboles suivants sur l'appareil et dans le manuel d'emploi et de sécurité:

	<b>Lire manuel d'emploi et suivre les consignes de sécurité et d'avertissement!</b>		<b>Arrêter le moteur!</b>
	<b>Danger et attention particuliers!</b>		<b>Porter des gants de protection!</b>
	<b>Interdit!</b>		<b>Frein de chaîne</b>
	<b>Porter le casque les lunettes et acoustiques de protection!</b>		<b>Attention, choc de recul (Kickback)!</b>
	<b>Interdiction de fumer!</b>		<b>Mélange carburant</b>
	<b>Pas de feu ouvert!</b>		<b>Réglage du carburateur</b>
	<b>Interrupteur de marche/arrêt (I/O)</b>		<b>Huile pour chaîne de sciage</b>
	<b>Appuyer sur la soupape de mise en marche</b>		<b>Fonctionnement en hiver</b>
	<b>Démarrer le moteur</b>		<b>Premier secours</b>
	<b>Levier choke</b>		<b>Recyclage</b>

Symboles additionnels voir page 37.

## Mesures de sécurité à respecter par les utilisateurs de tronçonneuses

Lorsque vous utilisez la tronçonneuse, veuillez respecter les règles suivantes :

- a) Evitez tout contact entre la pointe du guide et tout objet.
- b) Le contact de la pointe peut entraîner un déplacement brutal du guide vers le haut et vers l'arrière et être à l'origine de blessures graves ou mortelles.
- c) Il faut toujours utiliser la tronçonneuse en la tenant des deux mains.

### ATTENTION!

Lisez et respectez toutes les mesures de sécurité indiquées dans le mode d'emploi. Le non-respect des instructions peut avoir pour conséquence des blessures graves. Ne prêter des tronçonneuses qu'à des utilisateurs ayant une expérience avec les tronçonneuses à chaîne. Dans ce cas, les instructions d'emploi et de sécurité doit être remise au prêteur.

### ATTENTION!

Cette tronçonneuse est capable de violents retours de chaîne qui peuvent blesser gravement l'utilisateur. N'utilisez cette tronçonneuse que si vous avez besoin de procéder à des travaux intensifs et si vous disposez d'une expérience et d'une formation vous permettant de maîtriser le choc de recul. Il existe des tronçonneuses à risque de choc de recul réduit.

### ATTENTION!

Le choc de recul peut se produire lorsque la pointe ou l'extrémité du guide touche un objet ou lorsque le bois se referme et coince la chaîne dans la coupe. Le contact peut arrêter brutalement la **chaîne** et dans certains cas causer une **réaction** inverse extrêmement rapide, entraînant un déplacement du guide vers le haut et vers l'arrière vers l'utilisateur. Le **choc de recul** peut vous faire perdre le contrôle de la tronçonneuse.

Certaines mesures peuvent être prises par les utilisateurs de tronçonneuses pour réduire le risque de choc de recul et de blessure.

- A. Si vous avez bien assimilé le principe du choc de recul, vous pouvez réduire ou éliminer l'effet de surprise qui augmente le risque d'accident.
- B. Lorsque le moteur tourne, tenez fermement la tronçonneuse à deux mains, la main droite sur la poignée arrière et la main gauche sur la poignée tubulaire. Tenez fermement les poignées de la tronçonneuse en les entourant avec le pouce et les autres doigts. Une prise ferme peut neutraliser le choc de recul et vous aider à garder le contrôle de la tronçonneuse. Ne lâchez pas prise!
- C. Assurez-vous que la zone où vous travaillez ne présente pas d'obstacles. Ne laissez pas la pointe du guide toucher le rondin, la branche ou tout autre obstacle qui pourrait être heurté pendant que vous utilisez la tronçonneuse.
- D. Ne coupez pas les bras tendus ou plus haut qu'à hauteur d'épaules.
- E. Respectez les instructions du fabricant relatives à l'affûtage et à l'entretien de la tronçonneuse.
- F. N'utilisez que les guides et les chaînes indiqués par le constructeur ou des pièces équivalentes.

## Mesures de sécurité supplémentaires

Tous les utilisateurs de tronçonneuses doivent respecter les mesures de sécurité supplémentaires ci-dessous :

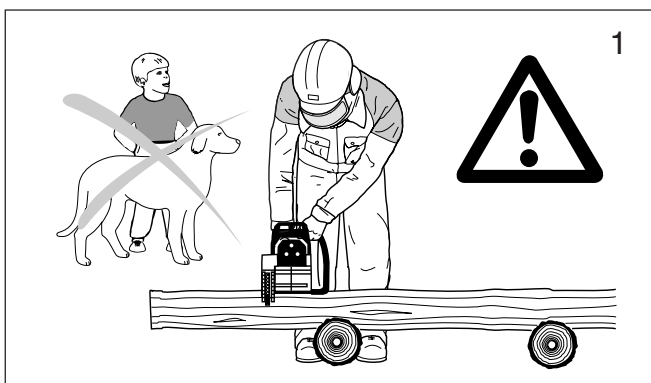
1. Ne travaillez pas avec une tronçonneuse lorsque vous êtes fatigué.
2. Utilisez des chaussures de sécurité, des vêtements ajustés, des gants de sécurité ainsi que des lunettes, un casque antibruit et un casque de sécurité.
3. Maniez le carburant avec prudence. Eloignez la tronçonneuse d'au moins 10 pieds (3 m) du point de ravitaillement avant de démarrer le moteur.
4. Assurez-vous que personne ne se trouve à proximité de la tronçonneuse au moment du démarrage ou pendant la coupe. Maintenez les spectateurs et les animaux en dehors de la zone de travail.
5. Ne commencez pas la coupe avant d'avoir dégagé la zone de travail, de vous être assuré une position stable au sol et d'avoir prévu une voie de repli vous permettant de vous retirer lorsque l'arbre s'abattra.
6. Lorsque le moteur tourne, maintenez la chaîne de la tronçonneuse à distance de votre corps.
7. Avant de démarrer le moteur, assurez-vous que la chaîne ne touche aucun objet.
8. Portez la tronçonneuse moteur arrêté, le guide et la chaîne vers l'arrière et le pot d'échappement éloigné de vous.
9. N'utilisez pas de tronçonneuse endommagée, incorrectement réglée ou incomplètement et incorrectement montée. Assurez-vous que la chaîne s'arrête lorsque vous relâchez la gâchette des gaz.
10. Arrêtez le moteur avant de poser la tronçonneuse.
11. Soyez extrêmement prudent lorsque vous coupez des broussailles et des jeunes arbres de petites dimensions car du petit bois peut se prendre dans la chaîne de la tronçonneuse et être projeté vers vous ou vous tirer en vous faisant perdre l'équilibre.
12. Lorsque vous coupez des grosses branches qui forcent, faites attention à la détente pour ne pas être heurté lorsque la tension sur les fibres du bois se relâchera.
13. Maintenez les poignées de la tronçonneuse sèches, propres et exemptes d'huile ou de mélange deux temps.
14. N'utilisez la tronçonneuse que dans des endroits correctement ventilés.
15. Ne montez pas dans un arbre avec la tronçonneuse à moins d'avoir reçu une formation spécifique pour ce type d'utilisation.
16. Toutes les opérations d'entretien de la tronçonneuse autres que celles indiquées dans les instructions d'entretien du mode d'emploi doivent être effectuées par MAKITA. (Par exemple, l'utilisation d'outils inappropriés pour retirer le volant ou pour maintenir le volant afin de retirer l'embrayage peut entraîner des détériorations du volant et par voie de conséquence son éclatement).
17. Ne transportez la tronçonneuse que munie de la protection de chaîne.
18. Les guides et les chaînes à faible choc de recul sont conçus pour réduire le risque de blessure par choc de recul. Pour toute information sur ces produits, adressez-vous à votre revendeur MAKITA.

## Mesures générales de sécurité

L'utilisation de toute tronçonneuse peut être dangereuse. A plein régime, la chaîne peut atteindre une vitesse de 45 mph (20 m/s). Il est important que vous ayez lu et entièrement compris et que vous suiviez les mesures de sécurité et les mises en garde suivantes. Relisez de temps en temps le mode d'emploi et les instructions de sécurité.

### ATTENTION!

Les forces de réaction, y compris le choc de recul, peuvent être dangereuses. Une utilisation négligente ou incorrecte de toute tronçonneuse peut entraîner des blessures graves ou mortelles. Demandez à votre revendeur MAKITA de vous montrer comment utiliser la tronçonneuse. Respectez l'ensemble des règlements, normes et arrêtés de sécurité localement en vigueur.



### ATTENTION!

L'utilisation d'une tronçonneuse doit être interdite aux mineurs.

Il faut éloigner les spectateurs, en particulier les enfants et les animaux, de la zone d'utilisation de la tronçonneuse (fig. 1).

Ne laissez jamais la tronçonneuse fonctionner sans surveillance.

Conservez-la sous clé hors de portée des enfants. Remplissez le réservoir de carburant aux 7/8 (cf. stockage de la tronçonneuse).

Ne prêtez pas votre tronçonneuse sans ce mode d'emploi. Assurez-vous que toute personne utilisant votre tronçonneuse a bien compris les informations fournies.

L'utilisation correcte d'une tronçonneuse dépend :

1. de l'utilisateur
2. de la tronçonneuse
3. de l'utilisation qui est faite de la tronçonneuse.

## Description des symboles figurant sur les tronçonneuses:



Z 62.1-95 et  
Z 62.3-96  
Classe 1A

Conformité avec les  
normes CSA

ANSI B175.1-1991

Conformité avec les  
normes ANSI



45M6

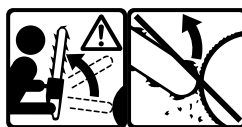
Tronçonneuses conforme aux normes américaines de sécurité pour tronçonneuses équipées d'un moteur à essence (ANSI B 175.1-1991).



Angle maximum de choc de recul calculé (CKA)\* sans frein de chaîne, avec les combinaisons de barre et de chaîne recommandées (ici, l'angle CKA est de 45°).



Angle maximum de choc de recul calculé (CKA)\* avec frein de chaîne, avec les combinaisons de barre et de chaîne recommandées (ici, l'angle CKA est de 40°).

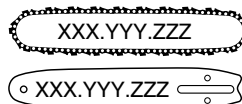


Il faut éviter tout contact de la pointe du guide avec un objet quelconque. Le contact de la pointe peut entraîner un déplacement

brutal du guide vers le haut et vers l'arrière et être à l'origine de blessures graves ou mortelles.



Il faut toujours utiliser la tronçonneuse en la tenant des deux mains!



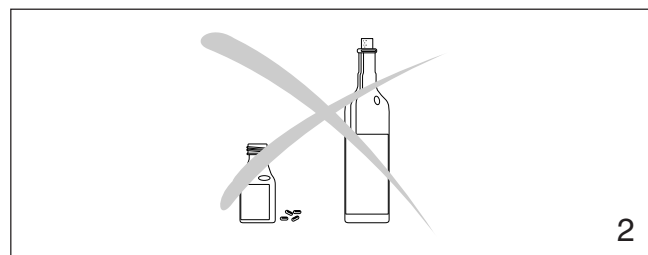
Combinaison réduite entre barre de recul et chaîne évaluée avec le moteur pour obtenir une protection contre le recul (selon normes ANSI et CSA).

\* L'angle de choc de recul calculé est une valeur calculée à partir d'énergies mesurées sur un banc d'essai. Ce n'est pas l'angle du guide remontant en cas de CHOC DE RECUL.

## L'utilisateur

### Condition physique

Vous devez être en bonne forme physique et mentale et n'être sous l'influence d'aucune substance (stupéfiants, alcool) pouvant diminuer votre acuité visuelle, votre habileté ou votre jugement.



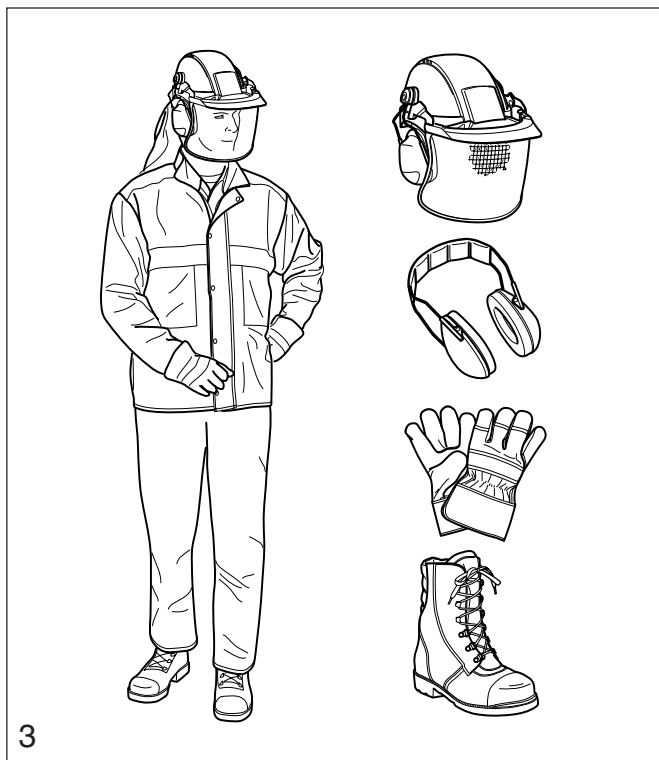
### ATTENTION!

L'utilisation prolongée de tronçonneuses expose l'utilisateur à des vibrations qui peuvent entraîner l'apparition de la maladie de Raynaud. Cette maladie se manifeste par une réduction de la sensibilité et de la régulation de la température au niveau des mains, par des engourdissements et des brûlures. Elle peut également entraîner des lésions nerveuses et circulatoires et une nécrose des tissus. Toutes les tronçonneuses MAKITA sont donc munies d'un système antivibration qui est très important pour les personnes utilisant des tronçonneuses de façon régulière ou prolongée. Les systèmes antivibration ne garantissent pas que vous n'aurez pas la maladie de Raynaud mais elles en réduisent considérablement le risque. Les personnes utilisant une tronçonneuse de façon continue et régulière doivent toutefois examiner leur mains et leurs doigts et, si elles constatent des symptômes anormaux, consulter immédiatement un médecin.

## Quels vêtements porter?

L'utilisateur doit porter des vêtements robustes et ajustés mais qui lui laissent une complète liberté de mouvement. Evitez les vestes amples, les écharpes, les cravates, les bijoux, les pantalons à pattes d'éléphant ou à revers ou quoi que ce soit qui puisse se prendre dans la tronçonneuse ou les broussailles. Portez une combinaison ou des jeans munis de renforts de protection contre la coupe (fig. 3).

Portez des gants de sécurité lorsque vous manipulez la tronçonneuse et la chaîne. Les gants antidérapants très résistants améliorent votre prise et protègent vos mains.



Pour travailler avec la tronçonneuse, il est important d'avoir une position stable au sol. Portez des chaussures montantes robustes munies de semelles antidérapantes. Il est conseillé de porter des chaussures de sécurité à embout acier.

Il est absolument indispensable de protéger correctement les yeux. Il est conseillé d'utiliser des lunettes antibuée ventilées et un visière pour réduire le risque de blessure aux yeux et au visage.

Protégez-vous la tête en portant un casque de sécurité approprié. Le bruit de la tronçonneuse peut entraîner des lésions de l'ouïe. Utilisez donc toujours une protection antibruit (bouchons ou casque antibruit).

Les personnes utilisant une tronçonneuse de façon continue et régulière doivent faire examiner régulièrement leur acuité auditive.



## La tronçonneuse

Pièces composant la tronçonneuse : cf. les illustrations et les descriptions de la page 48.

### ATTENTION!

Ne modifiez jamais une tronçonneuse de quelque façon que ce soit. Seuls les accessoires fournis par MAKITA ou expressément agréés par MAKITA pour une utilisation avec la tronçonneuse spécifiée sont autorisés.

### ATTENTION!

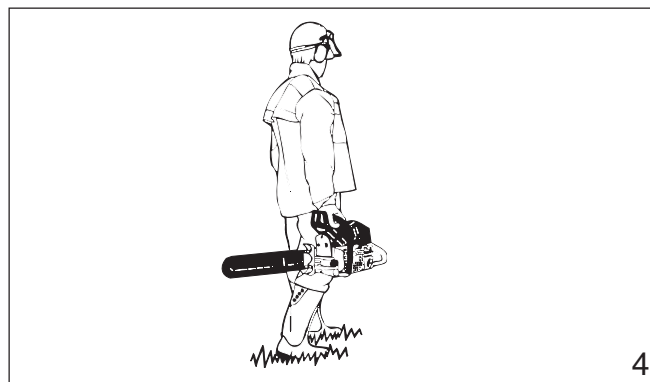
Les guides à étrier augmentent de façon importante le risque de choc de recul et donc de blessure grave ou mortelle en raison de la plus grande zone de choc de recul de la conception à étrier. Les guides à étrier ne sont pas conseillés pour les tronçonneuses MAKITA et il ne sont pas agréés par la norme de sécurité pour tronçonneuses ANSI B 175.1 1991.

## Utilisation de la tronçonneuse

### Transport de la tronçonneuse

### ATTENTION!

Il faut toujours arrêter le moteur avant de déposer ou de porter la tronçonneuse. Il est très dangereux de porter la tronçonneuse avec le moteur en marche. Une accélération intempestive du moteur peut mettre la chaîne en marche. Evitez de toucher le pot d'échappement (risque de brûlure).



**Transport à la main:** lorsque vous portez votre tronçonneuse à la main, le moteur doit être arrêté et la tronçonneuse doit être en position correcte. La protection de la chaîne doit être mise et le guide doit être orienté vers l'arrière. Lorsque vous portez la tronçonneuse, le guide doit être derrière vous (fig. 4).

**Dans un véhicule:** lors du transport de la tronçonneuse dans un véhicule, la chaîne et le guide doivent être recouverts avec la protection. Fixez correctement la tronçonneuse pour l'empêcher de se renverser et éviter les fuites de carburant et les détériorations de la tronçonneuse. Assurez-vous que la tronçonneuse n'est pas exposée à la chaleur ou à des étincelles.



## Instructions d'utilisation de la tronçonneuse

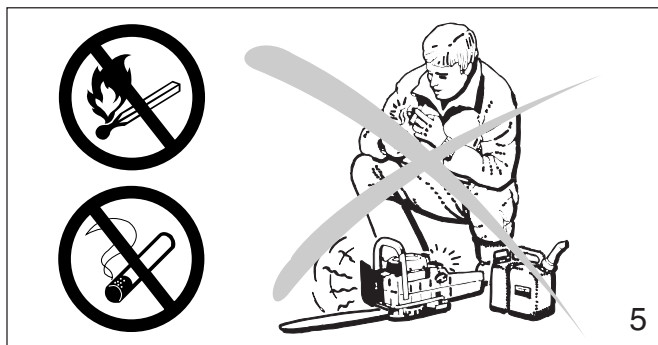
Pour monter la tronçonneuse, suivez la procédure indiquée au chapitre „Montage du guide et de la chaîne“ de ce mode d'emploi. La chaîne, le guide et le pignon MAKITA doivent être assortis (cf. chapitre correspondant de ce mode d'emploi).

### ATTENTION!

Il est extrêmement important que la chaîne soit correctement tendue. Pour éviter un réglage incorrect, il faut tendre la chaîne en suivant la procédure indiquée dans ce mode d'emploi. Après avoir tendu la chaîne, assurez-vous toujours que le ou les écrous hexagonaux du cache-pignon sont bien serrés. Vérifiez encore une fois la tension de la chaîne après avoir serré les écrous puis à intervalles réguliers (toujours avant le début du travail). Si la chaîne se détend pendant la coupe, arrêtez le moteur et tendez-la. N'essayez jamais de tendre la chaîne pendant que le moteur est en marche!

### Ravitaillement en carburant

Votre tronçonneuse MAKITA fonctionne au mélange deux temps (cf. chapitre „Carburant“ de ce mode d'emploi).



5

Essayez le carburant renversé avant de démarrer votre tronçonneuse et examinez-la pour voir si elle fuit.

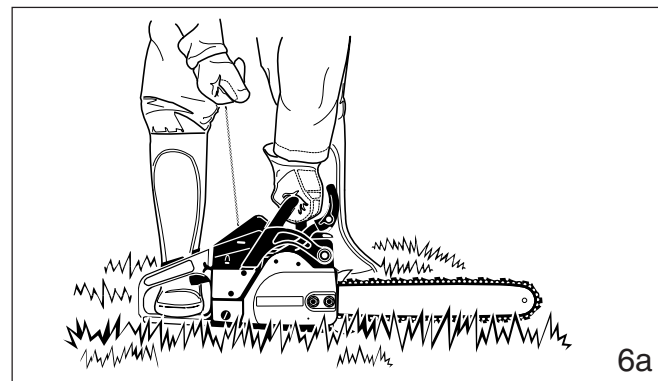
Examinez votre tronçonneuse pour voir s'il y a des fuites pendant le ravitaillement et l'utilisation. Si vous constatez des fuites de carburant ou d'huile, ne démarrez pas ou ne faites pas fonctionner le moteur avant d'avoir remédié à la fuite et essuyé le carburant renversé. Changez immédiatement de vêtements s'ils sont souillés de carburant (danger de mort!). Evitez le contact de la peau avec le carburant. Ne jamais dévisser ou retirer le bouchon du réservoir de carburant pendant que le moteur tourne.

### Démarrage

Ne démarrez pas la tronçonneuse en la laissant descendre au bout du cordon. Cette méthode est très dangereuse car vous pouvez perdre le contrôle de la tronçonneuse (fig. 6).



6

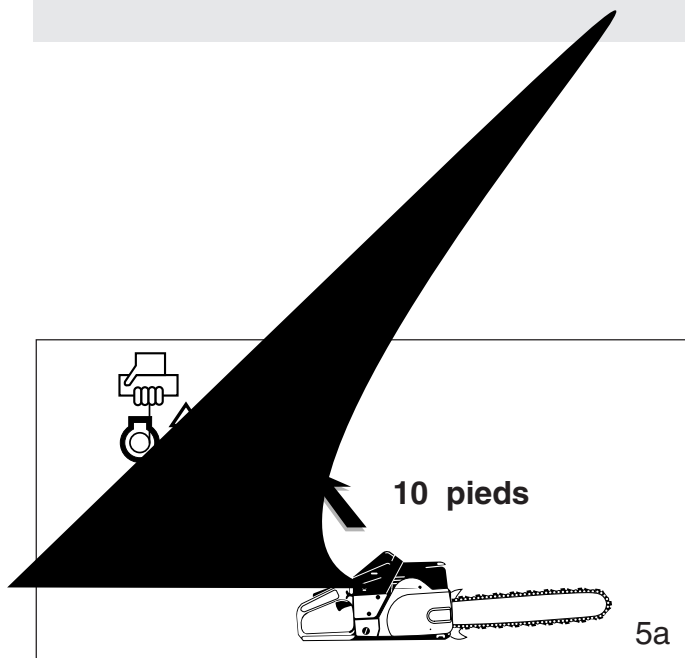


6a

Posez la tronçonneuse sur un sol ferme ou sur une autre surface dure à un endroit dégagé. Assurez-vous que vous avez une position stable au sol et un bon équilibre. Passez le pied droit dans la poignée arrière et prenez fermement la poignée avant de la main gauche (fig. 6a).

Il faut absolument vous assurer que ni le guide ni la chaîne ne sont en contact avec vous ou avec tout autre obstacle ou objet ou le sol. En effet, lorsque le moteur démarre avec les gaz à moitié, la vitesse du moteur est suffisante pour que l'embrayage entraîne le pignon et fasse tourner la chaîne, causant ainsi un risque de choc de recul. N'essayez jamais de démarrer le moteur lorsque le guide se trouve dans une coupe ou dans une entaille.

Lorsque vous tirez sur la poignée du démarreur, n'enroulez pas le cordon autour de votre poignée. Ne relâchez pas brusquement la poignée, accompagnez-la lentement pour permettre au cordon de s'enrouler correctement. Le non-respect de cette méthode peut entraîner des blessures de la main ou des doigts et détériorer le démarreur.



5a

## Réglages importants

### ATTENTION!

Lorsque le ralenti est correctement réglé, la chaîne ne doit pas tourner. Pour le réglage du ralenti, reportez-vous au chapitre correspondant de ce mode d'emploi.

N'utilisez pas de tronçonneuse dont le ralenti n'est pas correctement réglé. Réglez le ralenti vous-même de la façon indiquée dans le chapitre correspondant de ce mode d'emploi.

Demandez à votre revendeur MAKITA d'examiner votre tronçonneuse et de procéder aux réglages corrects ou aux réparations.

Vérifiez souvent la tension de la chaîne, surtout juste après avoir monté une chaîne neuve. Les chaînes neuves peuvent se détendre de façon plus importante pendant les premiers temps d'utilisation. Si la chaîne est bien réglée, il est possible de la tirer librement à la main autour du guide sans qu'elle pende. Pour vérifier ou régler la tension de la chaîne, il faut toujours arrêter le moteur et porter des gants.

## Conditions de travail

N'utilisez la tronçonneuse qu'à l'extérieur et uniquement de jour et dans de bonnes conditions de visibilité.

### ATTENTION!

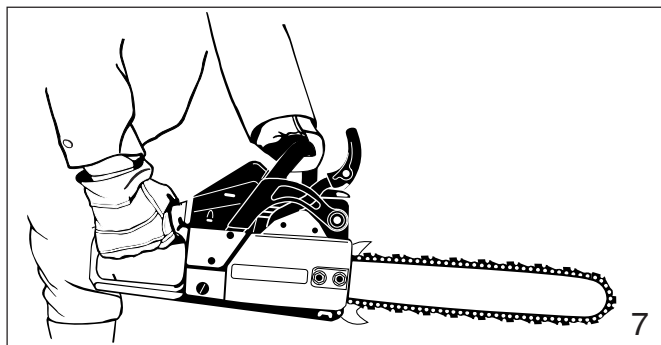
Soyez extrêmement prudent par temps humide ou par gel (pluie, neige, glace). Remettez le travail à plus tard en cas de vent, de tempête ou de pluie violente. Dégagez la zone où vous travaillez.

### ATTENTION!

Évitez de trébucher sur des obstacles tels que souches, racines ou pierres et faites attention aux trous et aux fossés. Soyez extrêmement vigilant lorsque vous travaillez sur un terrain incliné ou sur un sol accidenté. Il ya un risque de glissade accru sur les rondins fraîchement écorcés.

## Instructions de coupe

Lorsque le moteur tourne, tenez toujours fermement la tronçonneuse à deux mains. Posez la main gauche sur la poignée et la main droite sur la poignée et sur la gâchette des gaz. Ces instructions sont également valables pour les gauchers.

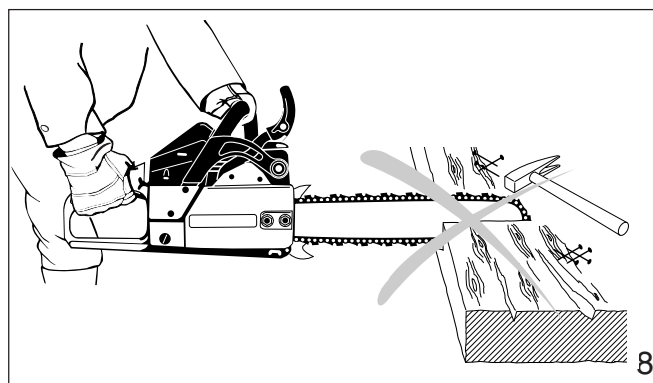


Maintenez fermement les poignées dans le creux de la main en les entourant entre le pouce et l'index (fig. 7). Cette position vous permet de mieux résister et absorber les forces de recul, de traction et de choc de recul de votre tronçonneuse sans qu'elle vous glisse des mains (cf. le point relatif aux forces de réaction). Assurez-vous que les poignées de la tronçonneuse sont en bon état et exemptes d'humidité, de poix, d'huile ou de graisse.

Commencez toujours la coupe avec la chaîne tournant à pleine vitesse et la barre à griffe en contact avec le bois.

### ATTENTION!

N'utilisez jamais la tronçonneuse d'une seule main car vous ne pouvez pas contrôler les forces de réaction (cf. pages 40 à 42) et vous pourriez perdre le contrôle de la tronçonneuse.



### ATTENTION!

N'utilisez pas la tronçonneuse avec les gaz à moitié car cette position ne vous permet pas de contrôler correctement la tronçonneuse ou la vitesse de la chaîne.

### ATTENTION!

Ne jamais trop approcher les mains ou tout autre partie de votre corps d'une chaîne en mouvement.

### ATTENTION!

Ne coupez jamais d'autres matériaux que du bois ou des objets en bois.

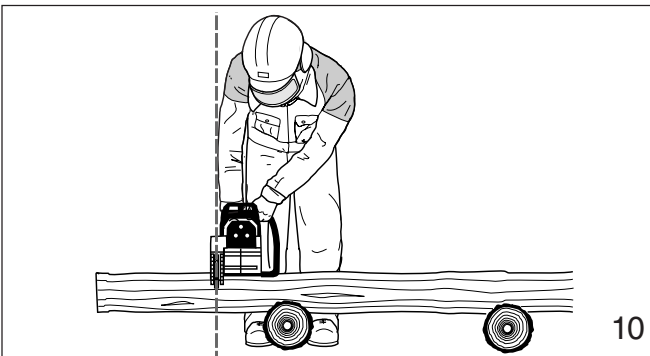
N'utilisez votre tronçonneuse que pour couper, pas pour casser ou pousser des branches, des racines ou d'autres objets.

Lorsque vous sciez, faites attention à ce que la chaîne ne touche pas de corps étrangers tel que pierres, clous et autres (fig. 8). Ils pourraient être projetés, détériorer la chaîne ou entraîner un choc de recul.





Pour garder la maîtrise de votre tronçonneuse, ayez toujours une position stable au sol. Ne travaillez jamais sur une échelle, dans un arbre ou sur tout autre support instable. N'utilisez jamais la tronçonneuse plus haut qu'à hauteur d'épaules (fig. 9).



Positionnez la chaîne de sorte que votre corps soit éloigné du dispositif de coupe lorsque le moteur tourne (fig. 10).

N'appuyez pas sur la tronçonneuse lorsque vous arrivez à la fin d'une coupe. Sous l'effet de la pression, le guide et la chaîne peuvent sauter hors de la coupe ou de l'entaille, ne plus pouvoir être contrôlés et frapper l'utilisateur ou un autre objet. Si la chaîne en mouvement heurte un objet, une force de réaction (cf. pages 42 à 44) peut faire que la chaîne heurte l'utilisateur.

### Forces de réaction pendant la coupe, y compris le choc de recul

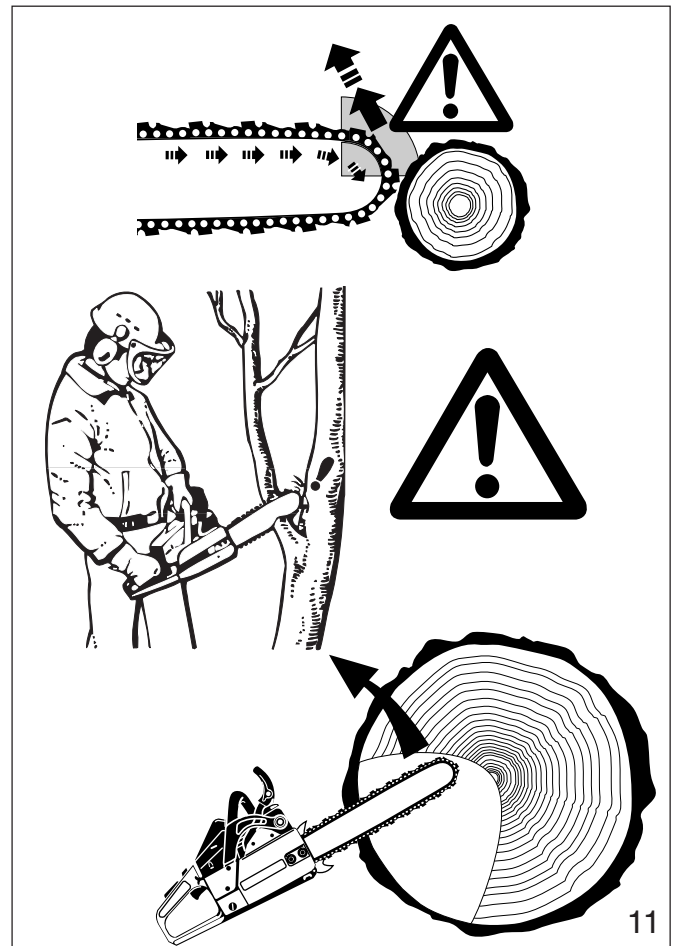
#### ATTENTION!

Les forces de réaction qui peuvent se produire pendant toute coupe sont le choc de recul, le recul et la traction. Les forces de réaction peuvent être dangereuses sur toutes les tronçonneuses car la puissance utilisée pour couper le bois peut être renversée et se retourner contre l'utilisateur.

Si la chaîne en mouvement est brusquement arrêtée par le contact avec tout objet solide comme un rondin ou une branche ou si elle est coincée, les forces de réaction s'exercent immédiatement. Ces forces de réaction peuvent entraîner la perte de contrôle qui, à son tour, peut être à l'origine de blessures graves ou mortelles. Comprendre les causes de ces forces de réaction peut vous aider à éviter de perdre le contrôle de votre tronçonneuse.

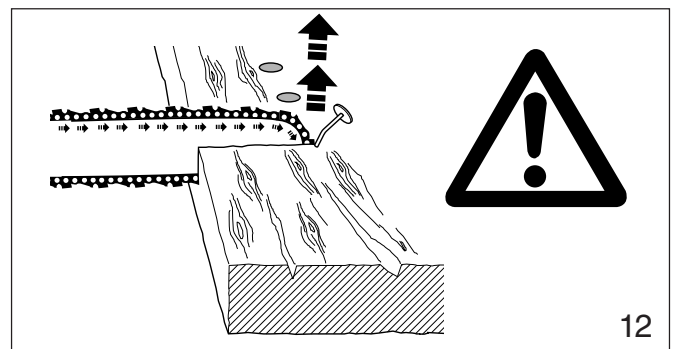
Les forces de réaction les plus courantes sont :

- le choc de recul
- le recul
- la traction.



### Choc de recul (Kickback):

Le choc de recul se produit lorsque le quadrant supérieur de la pointe du guide entre en contact avec un objet dur dans le bois ou qu'il est coincé (fig. 11). La réaction de la force de coupe de la chaîne rotative entraîne une force de rotation de la tronçonneuse dans la direction opposée au mouvement de la chaîne, généralement dans le plan du guide. Ceci peut projeter de façon incontrôlée le guide qui décrit alors un arc de cercle vers l'utilisateur.



Cette réaction peut se produire en l'espace d'une fraction de seconde et, dans certaines circonstances, le guide et la chaîne peuvent frapper l'utilisateur avec une force suffisante pour lui occasionner des blessures graves ou mortelles. Elle peut aussi se produire pendant l'ébranchage. Elle se produit aussi lorsque la pointe du guide est coincée de façon inattendue, entre de façon intempestive en contact avec un objet solide dans le bois (fig. 12) ou est utilisée de façon incorrecte pour amorcer une plongée ou un perçage.

Plus la force de la réaction du choc de recul est forte, plus il est difficile pour l'utilisateur de contrôler la tronçonneuse.



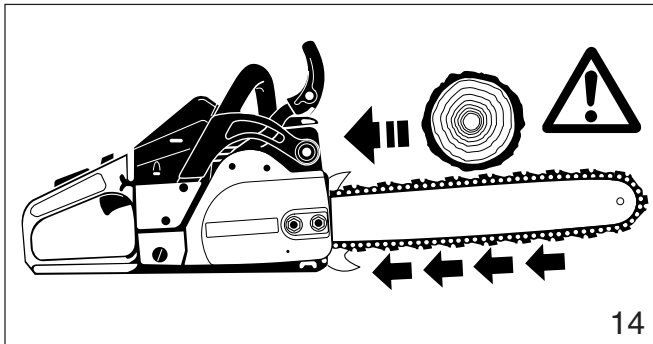
## Pour éviter le choc de recul

Le meilleur moyen de se protéger contre les blessures dues au choc de recul est d'éviter les situations qui le favorisent :

1. Tenez fermement la tronçonneuse à deux mains et assurez toujours une prise ferme.
2. Sachez toujours où se trouve la pointe du guide.
3. Ne faites jamais entrer la pointe du guide en contact avec un objet quelconque. Ne coupez pas les branches avec la pointe du guide. Soyez particulièrement prudent avec les petites branches dures, les broussailles et les jeunes arbres de petites dimensions car ils peuvent facilement se prendre dans la chaîne.
4. Ne coupez pas les bras tendus.
5. Ne coupez pas au-dessus de la hauteur d'épaules.
6. Commencez la coupe et continuez plein gaz.
7. Ne coupez qu'un rondin à la fois.
8. Soyez extrêmement prudent lorsque vous rentrez dans une coupe déjà existante.
9. N'essayez pas les coupes en plongée (cf. page 43) si vous n'avez pas l'expérience de ces techniques.
10. Soyez toujours attentif à un déplacement du rondin ou aux autres forces qui pourraient fermer la coupe et coincer la chaîne.
11. Assurez un entretien correct de la chaîne. Ne travaillez qu'avec une chaîne bien affûtée et correctement tendue.
12. Tenez-vous à côté de la coupe de la tronçonneuse.

## Le recul:

Le recul se produit lorsque la chaîne se trouvant sur la partie supérieure du guide est arrêtée subitement lorsqu'elle est coincée, prise ou rencontre un corps étranger dans le bois. La réaction de la chaîne pousse la tronçonneuse directement vers l'utilisateur, lui faisant perdre le contrôle de la tronçonneuse. Le recul se produit souvent lorsque l'on coupe avec la partie supérieure du guide (fig. 14).



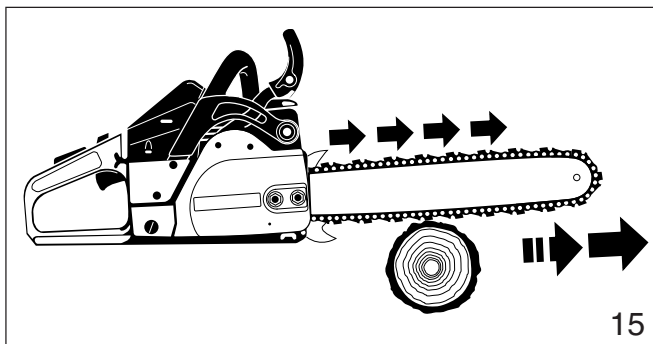
## Pour éviter le recul

1. Soyez attentif aux forces ou aux situations dans lesquelles le bois peut coincer la partie supérieure de la chaîne.
2. Ne coupez pas plus d'un rondin à la fois.
3. Ne tordez pas la tronçonneuse lorsque vous retirez le guide d'une coupe en plongée ou par dessous (figures 25 à 27 et 33, pages 45 et 46) car la chaîne peut être coincée.

## La traction:

La traction se produit lorsque la chaîne se trouvant sur la partie inférieure du guide est arrêtée subitement lorsqu'elle est coincée, prise ou rencontre un corps étranger dans le bois (fig. 15). La réaction de la chaîne tire la tronçonneuse vers l'avant, faisant perdre à l'utilisateur le contrôle de la tronçonneuse.

La traction se produit souvent lorsque la barre à griffe de la scie n'est pas maintenue fermement contre l'arbre ou la branche et lorsque la chaîne ne tourne pas à pleine vitesse lorsqu'elle entre en contact avec le bois.



## ATTENTION!

Soyez extrêmement prudent lorsque vous coupez des broussailles et des jeunes arbres de petites dimensions car ils peuvent facilement se prendre dans la chaîne et vous tirer en vous faisant perdre l'équilibre.

## Pour éviter la traction

1. Amorcez toujours une coupe avec la chaîne tournant à pleine vitesse et la barre à griffe en contact avec le bois.
2. Il est également possible d'éviter la traction en utilisant des coins en plastique pour ouvrir l'entaille ou la coupe.

## Techniques de coupe

### Abattage

L'abattage est la coupe d'un arbre sur pied.

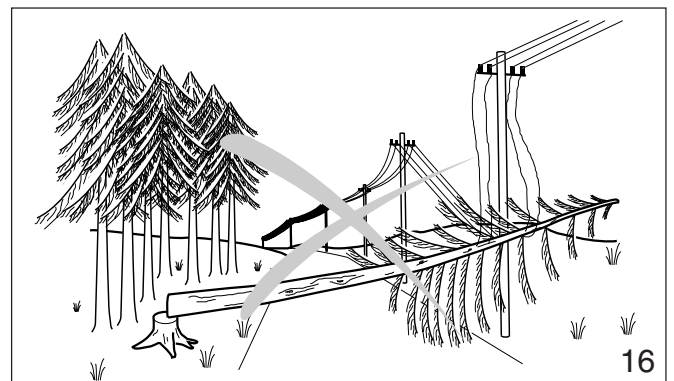
Avant d'abattre un arbre, prenez en considération toutes les conditions pouvant influencer le sens de la chute, à savoir:

le sens voulu de la chute,  
l'inclinaison normale de l'arbre,  
une structure de branchages particulièrement marquée, les arbres et obstacles environnants,  
la direction et la vitesse du vent.

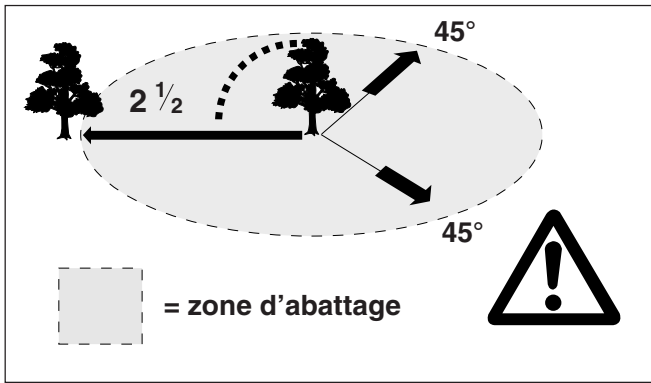
## ATTENTION!

Examinez toujours l'état général de l'arbre. Cherchez les traces de pourriture dans le tronc. S'il est pourri à l'intérieur, il peut se rompre et tomber sur l'utilisateur pendant la coupe.

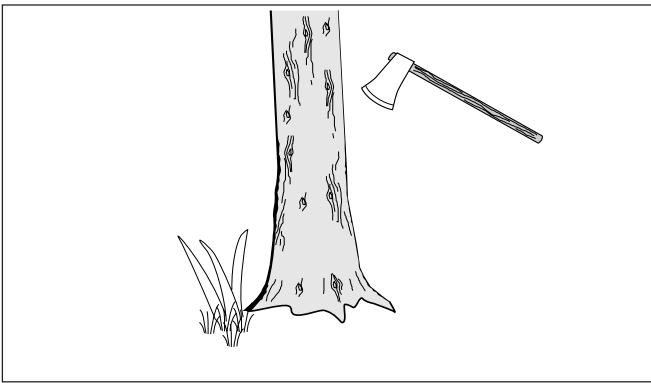
Cherchez aussi les branches cassées ou mortes qui pourraient être détachées par les vibrations et tomber sur l'utilisateur. En cas d'abattage en terrain incliné, l'utilisateur doit se trouver au-dessus de l'arbre.



En cas d'abattage à proximité de routes, de voies ferrées et de lignes électriques, etc., prenez des précautions supplémentaires (cf. fig. 16). Informez la police, la régie d'électricité ou la compagnie de chemin de fer avant de commencer le travail.



Si l'arbre a de grosses racines latérales, coupez dans les plus grandes racines, d'abord verticalement puis horizontalement et enlevez le morceau ainsi découpé (fig. 20).



Etablissez ensuite une voie de repli et dégagez-la de tous les obstacles. Cette voie doit être opposée à la direction prévue de la chute de l'arbre et avoir un angle de 45° (fig. 19). Il faut aussi choisir une seconde voie. Placez tous les outils et l'ensemble du matériel en sécurité à une distance suffisante de l'arbre mais pas sur la voie de repli.

Déterminez ensuite l'emplacement de l'encoche d'abattage („camembert“) (fig. 21). Lorsqu'elle est correctement positionnée, l'encoche d'abattage détermine dans quelle direction l'arbre va tomber. Elle doit être pratiquée perpendiculairement à la ligne de chute aussi près que possible du sol. Coupez l'encoche d'abattage à une profondeur comprise entre un tiers et un quart du diamètre de l'arbre (fig. 22). Elle ne doit jamais être plus haute que profonde. Pratiquez l'encoche d'abattage avec grand soin.

Lorsque vous repositionnez la tronçonneuse pour la coupe suivante, maintenez le guide complètement encastré dans l'encoche pour que la coupe d'abattage soit droite. Si la tronçonneuse commence à se coincer, enfoncez un coin pour ouvrir la coupe. A la dernière coupe, ne coupez pas le tenant.

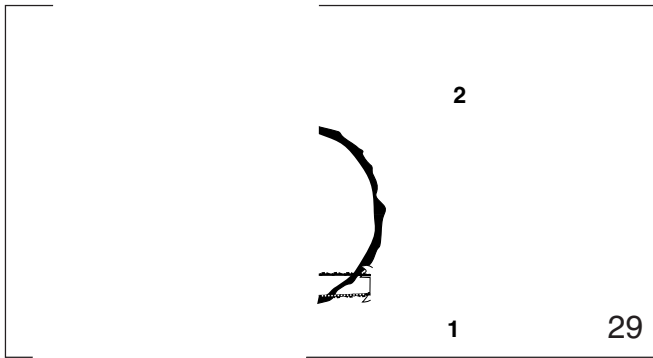
### **Méthode de coupe en plongée**

Les arbres d'un diamètre supérieur à deux fois la longueur du guide nécessitent de mettre en oeuvre la méthode de coupe en plongée avant de faire la coupe d'abattage. Dans un premier temps, coupez une encoche d'abattage grande et large. Faites une coupe en plongée au centre de l'encoche. On procède à la coupe en plongée avec la pointe du guide. Commencez la coupe en plongée en appliquant la partie inférieure de la pointe du guide sur l'arbre selon un angle (fig. 25). Coupez jusqu'à ce que la profondeur de l'encoche soit à peu près égale à la largeur du guide (fig. 26). Ensuite, orientez la scie dans la direction de l'endroit où l'évidement doit être creusé.

Mettez les gaz à fond et introduisez le guide dans le tronc (fig. 27).

Agrandissez la coupe en plongée comme indiqué sur l'illustration (fig. 28).

Pour la méthode de sectionnement (fig. 24), pratiquez la première coupe en faisant pivoter le guide vers le tenant. Ensuite, en utilisant la griffe du butoir comme un pivot, repositionnez la tronçonneuse pour la coupe suivante. Évitez de repositionner la tronçonneuse plus que c'est nécessaire.



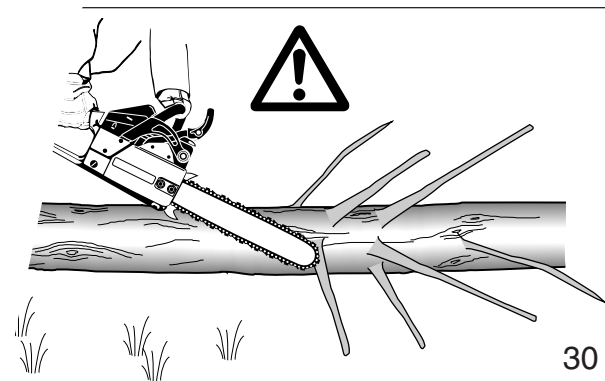
**ATTENTION!**

Il y a un très grand danger de choc de recul pendant le débranchement. Soyez extrêmement prudent pour garder le contrôle de la tronçonneuse. Pour faire la coupe, utilisez la méthode de sectionnement en deux étapes (fig. 29). Si vous n'avez pas l'expérience de travailler avec une tronçonneuse, faites faire la coupe en plongée par l'assistance d'un professionnel.

Insistez à couper les branches d'un

**ATTENTION!**

Le choc de recul est très grand pendant le débranchement. Ne travaillez pas avec la pointe du guide. Soyez extrêmement prudent et évitez tout contact avec la pointe du guide et le tronc ou les branches. Ne montez pas sur le tronc que vous venez de débrancher car il pourrait rouler ou vous pourriez glisser.



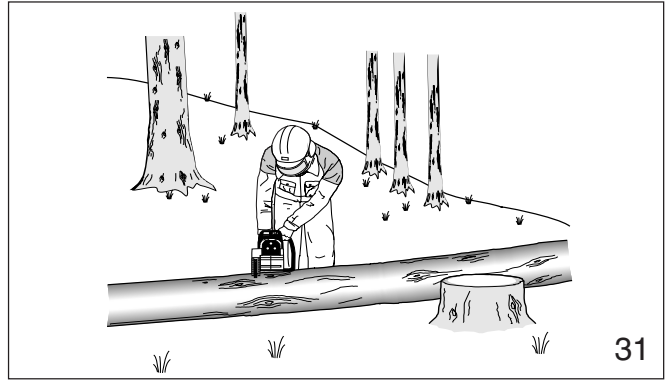
Commencez l'ébranchement en laissant les branches inférieures pour maintenir le tronc à une certaine distance du sol (fig. 30). Ne coupez pas les branches pendantes par dessous. La tronçonneuse pourrait être coincée ou la branche pourrait tomber, vous faisant perdre le contrôle de la tronçonneuse. Si le guide est coincé, arrêtez le moteur et retirez la tronçonneuse en soulevant la branche.

**ATTENTION!**

Soyez extrêmement prudent lorsque vous coupez des branches qui forcent. Les branches peuvent sauter vers l'utilisateur et entraîner une perte de contrôle de la tronçonneuse ou blesser l'utilisateur.

**Débitage**

Le débitage consiste à découper un rondin en plusieurs morceaux.



**ATTENTION!**

1. Ne montez pas sur le rondin que vous êtes en train de débiter. Assurez-vous que le rondin ne peut pas descendre la pente. En cas de débitage en terrain incliné, l'utilisateur doit se trouver au-dessus du rondin (cf. fig. 31). Faites attention aux rondins qui roulent.

**ATTENTION!**

2. Ne coupez qu'un rondin à la fois.

**ATTENTION!**

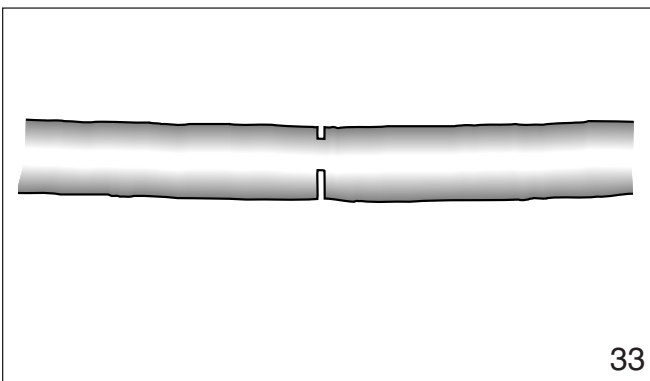
3. Il faut être très prudent pour couper le bois en éclats car des échardes acérées peuvent être entraînées par la tronçonneuse et projetées vers l'utilisateur.



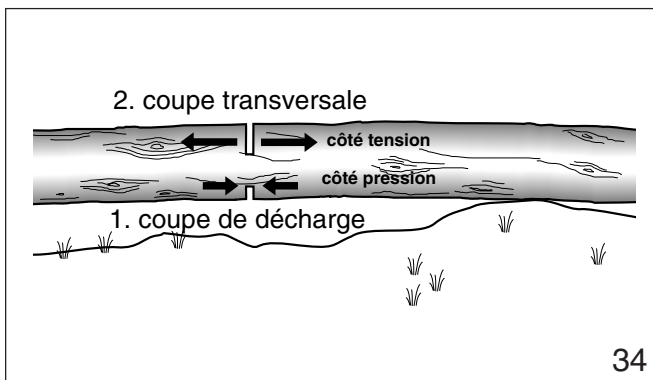
**ATTENTION!**

4. Pour couper les petits rondins, utilisez un chevalet (fig. 32). Empêchez toute autre personne de tenir le rondin. Ne maintenez jamais le rondin avec la jambe ou le pied.





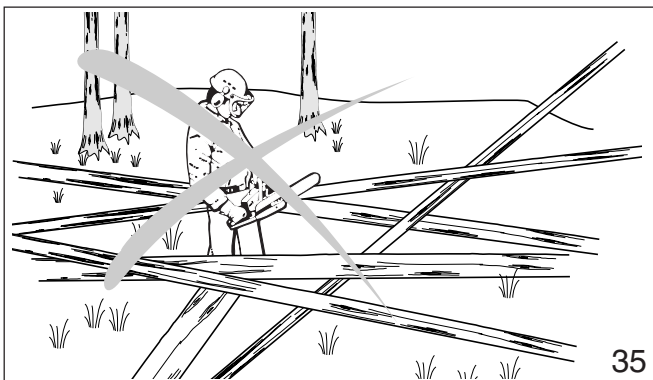
33



34

### ATTENTION!

5. Lorsque vous coupez des rondins qui forcent, il faut être extrêmement prudent pour éviter que la tronçonneuse soit coincée. La première coupe est pratiquée sur le côté comprimé pour soulager la tension du rondin (cf. fig 33, 34). On procède ensuite à la coupe de débitage de la façon indiquée. Si la tronçonneuse est coincée, arrêtez le moteur et retirez-la du rondin.



35

### ATTENTION!

6. Le travail dans une zone où les rondins, les branches et les racines sont enchevêtrés (p.ex. dans une zone où les arbres ont été abattus par le vent, fig. 35) ne doit être fait que par des professionnels ayant reçu une formation appropriée. Le travail dans une zone où les arbres ont été abattus par le vent est très dangereux.

### ATTENTION!

7. Amenez les rondins dans une zone dégagée avant de commencer le débitage. Tirez d'abord les rondins exposés et dégagés.

## Entretien et réparation

N'utilisez jamais une tronçonneuse endommagée, incorrectement réglée ou incomplètement ou incorrectement assemblée. Respectez les instructions d'entretien et de réparation du chapitre correspondant du présent mode d'emploi.

### ATTENTION!

Avant de commencer toute opération d'entretien, de réparation ou de nettoyage de la tronçonneuse, il faut toujours arrêter le moteur et s'assurer que la chaîne est arrêtée. Ne procédez pas à des opérations d'entretien ou de réparation qui ne figurent pas dans ce mode d'emploi. Confiez-les uniquement à votre agence technique MAKITA.

## Entretien et stockage de la tronçonneuse

Maintenez la chaîne, le guide et le pignon propres et lubrifiés ; changez les chaînes et les pignons usés.

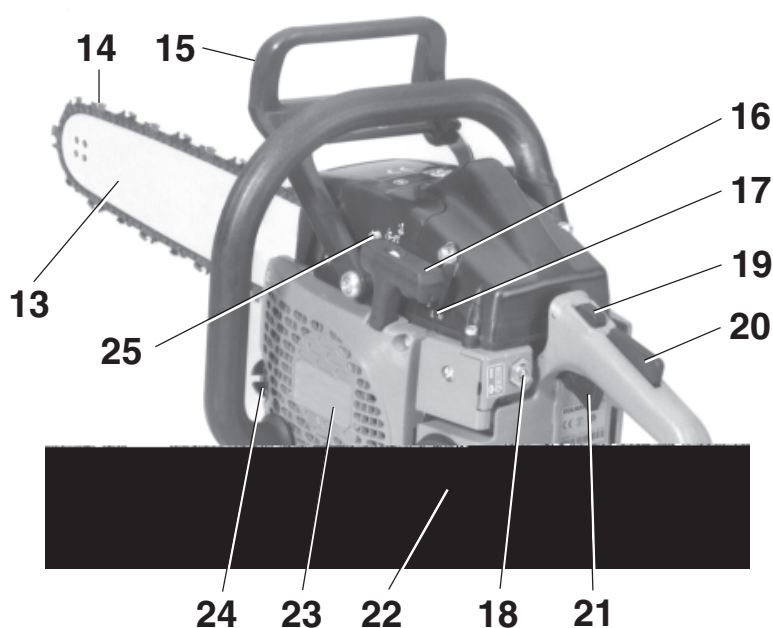
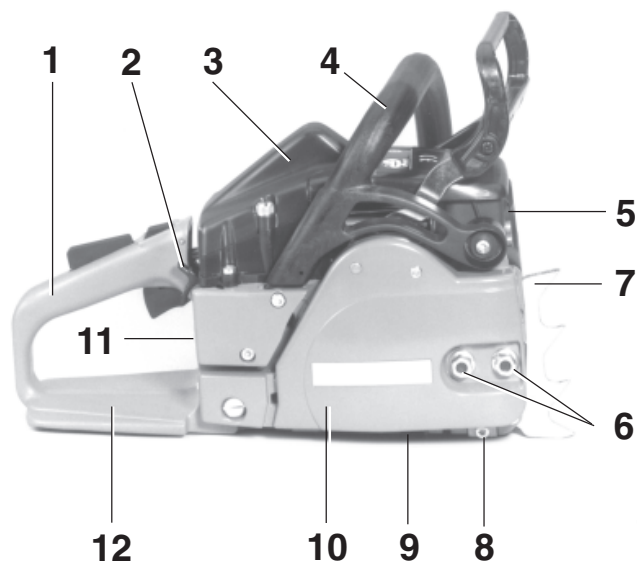
La chaîne doit toujours être correctement affûtée. On reconnaît que la chaîne est émoussée au fait que le bois tendre est difficile à couper et que des traces de brûlure apparaissent sur le bois.

Assurez-vous que la chaîne est toujours correctement tendue. Après chaque utilisation, resserrez tous les écrous, boulons et vis à l'exception des vis de réglage du carburateur.

Assurez-vous que la bougie et le câble d'allumage sont toujours propres et bien fixés.

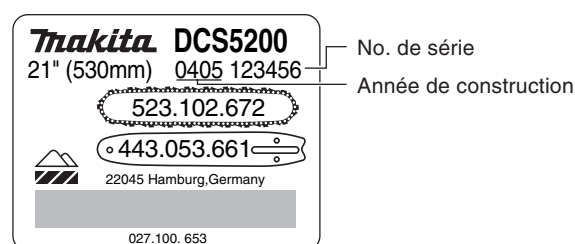
Conservez les tronçonneuses en hauteur ou sous clé hors de portée des enfants.

## Désignation des pièces



### Plaque signalétique

(échantillon pour modèle DCS5200)



à indiquer lors de commande de pièces de rechange!

- |    |  |    |   |
|----|--|----|---|
| 1  | Poignée  | 13 | Guide de la chaîne de la scie                     |
| 2  | Choke (étrangleur)   | 14 | Chaîne de sciage                                  |
| 3  | Couvercle du filtre  | 15 | Protège-main                                      |
| 4  | Poignée-étrier   | 16 | Poignée de lancement                              |
| 5  | Silencieux   | 17 | Vis de réglage „S-L-H“ pour le carburateur        |
| 6  | Ecrous de fixation   | 18 | Commutateur I/Stop                                |
| 7  | Rive dentée (Butée à griffe pour maintenir fermement la tronçonneuse contre le bois) | 19 | Bouton de blocage pour mi-gaz                     |
| 8  | Arrête chaîne  | 20 | Touche de verrouillage de sécurité                |
| 9  | Vis de réglage pour pompe à huile (face inférieure)                                  | 21 | Levier de gaz                                     |
| 10 | Protection roue à chaîne   | 22 | Bouchon de fermeture du réservoir carburant       |
| 11 | Plaque signalétique  | 23 | Carter ventilateur avec dispositif de lancement   |
| 12 | Protège-main   | 24 | Bouchon de fermeture du réservoir huile           |
|    |  | 25 | Soupape de mise en marche (seulement pour DCS431) |

## Caractéristiques techniques

		DCS430 / 431	DCS520 / 520i	DCS540	DCS5200 / 5200i
Cylindrée	cu. in	2.7 (43 cm <sup>3</sup> )	3.2 (52 cm <sup>3</sup> )	3.3 (54 cm <sup>3</sup> )	3.2 (52 cm <sup>3</sup> )
Alésage	inch	1.57 (40 mm)	1.73 (44 mm)	1.77 (45 mm)	1.73 (44 mm)
Course	inch	1.34 (34 mm)	1.34 (34 mm)	1.34 (34 mm)	1.34 (34 mm)
Puissance max. en fonction du régime	kW / rpm	2.0 / 9,000	2.4 / 9,000	2.2 / 9,000	2.7 / 9,000
Couple max. en fonction du régime	Nm / rpm	2.4 / 6,000	2.9 / 6,000	3.0 / 6,000	3.1 / 6,000
Vitesse de rotation à vide	rpm	2,500	2,500	2,500	2,500
Vitesse de rotation d'embrayage	rpm	3,600	3,600	3,600	3,600
Niveau sonore à pleine charge mesuré aux oreilles de l'opérateur selon ANSI B 175.1	db(A)	102	102	102	102
Niveau sonore pour une personne voisine (à une distance de 50ft/15 m) selon ANSI B 175.1	db(A)	75	75	75	75
Carburateur (pour le Canada)	Type	Walbro WT 465	TILLOTSON HU 116	Walbro WT 465	<sup>1)</sup>
Carburateur (pour les Etats-Unis)	Type	Walbro WT 465	TILLOTSON HU 116	Walbro WT 465	<sup>1)</sup>
Dispositif d'allumage	Type	électronique	électronique	électronique	électronique
Bougie d'allumage	Type	BOSCH WSR 6F	BOSCH WSR 6F	BOSCH WSR 6F	BOSCH WSR 6F
Ecartement électrodes	inch	.020	.020	.020	.020
ou bougie d'allumage	Type	NGK BPMR 7A	NGK BPMR 7A	NGK BPMR 7A	NGK BPMR 7A
Consommation carburant/puissance max.	kg/h	0.90	1.08	1.30	1.21
Consommation spéc./puissance max.	g/kWh	450	450	590	450
Capacité réservoir carburant	oz	18.6	18.6	18.6	18.6
Capacité réservoir huile	oz	9.3	9.3	9.3	9.3
Dosage mélange (carburant/huile 2 temps)		voir chapitre carburants			
Frein de chaîne		déclenchement manuel ou en cas de choc de recul (kickback)			
Poids de la tronçonneuse (réservoir vide, sans guide et chaîne)		10 lbs	10 lbs	10 lbs 2 oz	10 lbs 2 oz

<sup>1)</sup> DCS5200 = Walbro WT 465 / DCS5200i = TILLOTSON HU 116

### Combinaisons autorisées de guides et de chaînes

„Une chaîne de tronçonneuse à faible choc de recul est une chaîne qui est en conformité avec les exigences de choc de recul de la norme ANSI B 175.1-1991 (Norme nationale américaine relative aux exigences de sécurité pour l'outillage à moteur - tronçonneuses thermiques) lorsqu'elle a été testée sur l'échantillon représentatif de tronçonneuses de moins de 3.8 pouces cubes de cylindrée spécifié dans ANSI B 175.1-1991“. Les combinaisons autorisées de guides et de chaînes sont des chaînes à faible choc de recul selon ANSI B 175.1-1991 et elles sont également en conformité avec la norme CSA Z62.3-96 pour les chaînes des tronçonneuses de cylindrée inférieure à 80 cm<sup>3</sup>.

### ATTENTION!

N'utilisez pas d'autres guides et chaînes de rechange s'ils n'ont pas été reconnus conformes aux exigences de choc de recul des normes ANSI B 175.1-1991 (pour les Etats-Unis) et CSA Z62.3-96 (pour le Canada) sur cette puissance spécifique ou s'ils ont été reconnus à „faible choc de recul“ conformément aux normes ANSI B 175.1-1991 (pour les Etats-Unis) et CSA Z62.3-96 (pour le Canada).

#### Combinaisons guides et chaînes satisfaisant aux exigences kickback selon ANSI B 175.1-1991 pour l'utilisation aux ETATS-UNIS

##### Models DCS430, DCS431

GUIDE			CHAÎNE
Longueur	Pas	Référence	Référence
15" (38 cm)	.325"	445 038 631	523 085 664
16" (40 cm)	.325"	445 040 631	523 085 666
18" (45 cm)	.325"	445 045 631	523 085 672

Épaisseur maillon entraîneur: .058", nombre de dents: 8

##### Models DCS520, DCS520i, DCS540, DCS5200, DCS5200i

GUIDE			CHAÎNE
Longueur	Pas	Référence	Référence
15" (38 cm)	.325"	445 038 631	523 085 664
16" (40 cm)	.325"	445 040 631	523 085 666
18" (45 cm)	.325"	445 045 631	523 085 672

Épaisseur maillon entraîneur: .058", nombre de dents: 8

18" (45 cm)	3/8"	443 045 661	523 102 664
21" (53 cm)	3/8"	443 053 661	523 102 672

Épaisseur maillon entraîneur: .050", nombre de dents: 7

#### Combinaisons guides et chaînes satisfaisant aux exigences kickback selon CSA Z62.3-96 pour l'utilisation aux CANADA

##### Models DCS430, 431, 520, 520i, 540 et DCS5200, 5200i

GUIDE			CHAÎNE
Longueur	Pas	Référence	Référence
15" (38 cm)	.325"	415 038 631	523 085 064
16" (40 cm)	.325"	415 040 631	523 085 066
18" (45 cm)	.325"	415 045 631	523 085 072

Épaisseur maillon entraîneur: .058",  
nombre de dents: 8

15" (38 cm)	3/8"	443 038 651	522 094 656
18" (45 cm)	3/8"	443 045 651	522 094 664
21" (53 cm)	3/8"	443 053 651	522 094 672

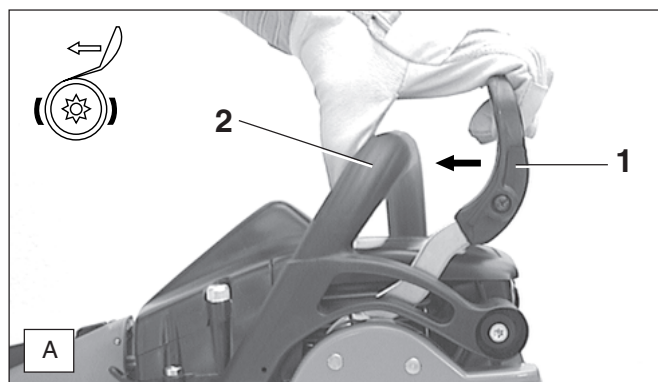
Épaisseur maillon entraîneur: .058",  
nombre de dents: 7

## MISE EN ROUTE

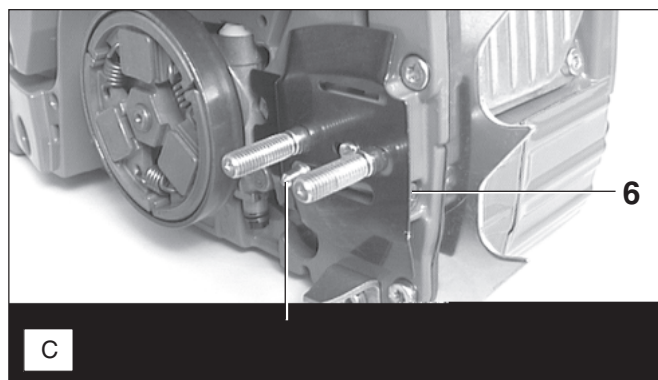
### Montage du guide et de la chaîne de sciage

Utiliser la clé combinée livrée avec la machine pour les travaux suivants.

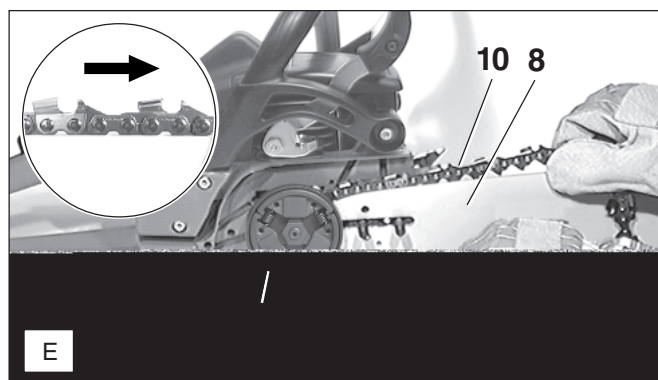
Placer la tronçonneuse sur un support stable et exécuter les opérations suivantes pour le montage de la chaîne de sciage et du guide de la chaîne.



- Avant tout montage ou démontage de la protection de la roue à chaîne (B/4), desserrer le frein de chaîne. Pour cela, tirer le protège-main (A/1) en direction de la poignée-étrier (A/2) jusqu'à ce qu'il s'enclenche vraiment.



- Tourner la vis de serrage de la chaîne (C/6) dans le sens contraire des aiguilles d'une montre jusqu'à ce que le tourillon (C/7) se trouve face à la butée de gauche.



- Soulever la chaîne de sciage (E/10) au-dessus du tambour d'accouplement et la placer sur la roue à chaîne (E/11). Introduire avec la main droite la chaîne de sciage dans la rainure de guidage supérieure du guide de la chaîne (E/8). Les arêtes coupantes de la chaîne de sciage doivent être dirigées dans le sens de la flèche sur la partie supérieure du guide!



**ATTENTION:** Pour tous travaux effectués sur le guide de la chaîne de sciage, le moteur doit être impérativement arrêté et la fiche de bougie doit être enlevée (voir paragraphe pour le remplacement de la bougie) et le port de gants de protection est obligatoire!

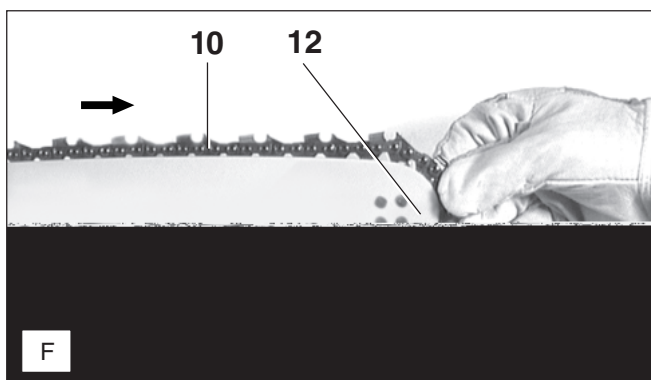
**ATTENTION:** La tronçonneuse ne peut être démarrée qu'après le montage complet et le contrôle effectué!



- Dévisser les écrous de fixation (B/3).
- Retirer la protection de la roue à chaîne (B/4).
- Enlever et jeter la protection de transport en plastique (B/5).



- Monter le guide de la chaîne (D/8). Veillez à ce que le tourillon (D/9) du tendeur de la chaîne pénètre dans le trou (voir cercle) du guide de la chaîne.

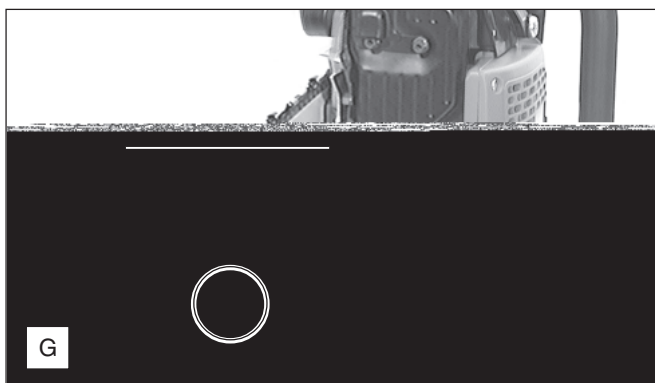


- Guider la chaîne de sciage (F/10) autour de l'étoile de renvoi (F/12) du guide de la chaîne.

#### REMARQUE :

La chaîne de sciage se laisse facilement tirer dans la direction de la flèche. Le tambour d'accouplement (E/11) tourne en même temps (chaîne de sciage s'enfile dans la roue à chaîne).





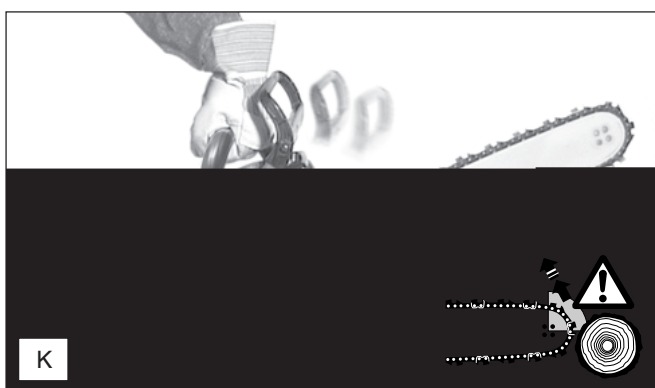
- Tourner le tendeur de chaîne (G/6) vers la droite (sens des aiguilles d'une montre) jusqu'à ce que la chaîne de sciage s'enfile dans la rainure de guidage de la face inférieure du guide (voir cercle). Appuyer avec la main gauche le guide de la chaîne sur le carter.



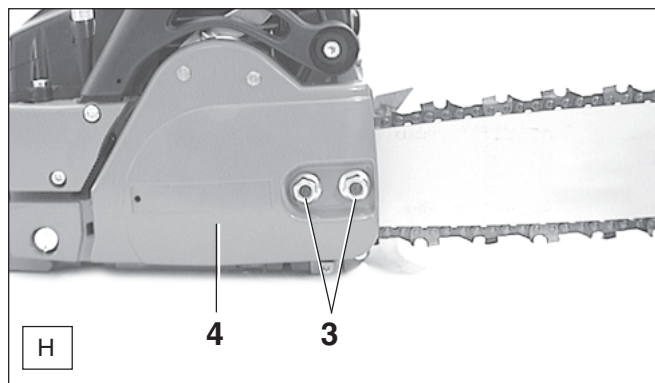
### Tendre la chaîne de sciage

- Relever légèrement la pointe du guide de la chaîne de sciage et tourner la vis de tension de la chaîne (I/6) vers la droite (dans le sens des aiguilles d'une montre) jusqu'à ce que la chaîne s'applique sur la face inférieure du guide (voir cercle).
- Continuer à relever la pointe du guide et serrer les écrous de fixations (H/3) à bloc avec la clé combinée.

### Frein de chaîne

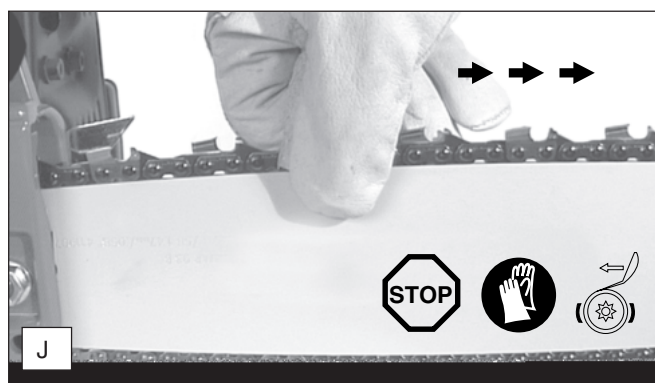


Les modèles MAKITA sont équipés en série d'un frein de chaîne à déclenchement d'accélération. Si un contrecoup se produit (kickback), dû à un heurt de la pointe du guide contre le bois (voir chapitre «CONSIGNES DE SECURITE»), le frein de chaîne se déclenche automatiquement en cas de contrecoup suffisamment fort par inertie de masse. La chaîne de sciage est interrompue pendant une fraction de seconde. **Le frein de chaîne n'est prévue que pour des cas d'urgence et pour le blocage de la chaîne avant le démarrage. ATTENTION : Ne jamais utiliser la tronçonneuse quand le frein de chaîne est déclenché (sauf pendant le contrôle, voir chaîne « Contrôle du frein de chaîne »), sinon la tronçonneuse risque de s'abîmer en très peu de temps ! Desserrer impérativement le frein de chaîne avant de commencer à travailler !**



- Poser la protection de la roue à chaîne (H/4).
- Serrer les écrous de fixation (H/3) à la main.

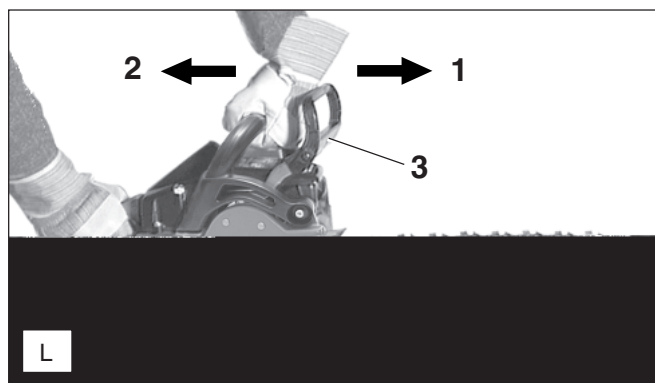
### Contrôle de la tension de la chaîne



- Une tension correcte de la chaîne est réalisée lorsque la chaîne s'applique sur le guide inférieur et qu'elle peut encore être légèrement écartée du guide à la main. Ce faisant, le frein de la chaîne doit être libéré.
- Chaque nouvelle chaîne doit être rodée pendant 2 à 3 minutes. Une lubrification abondante est essentiel pendant cette période. Après ce rodage, la tension de la chaîne doit être vérifiée et corrigée au besoin.
- Par conséquent, vérifier souvent la tension de la chaîne le moteur étant arrêté.

### REMARQUE:

Vérifiez souvent la tension de la chaîne, les chaînes ont tendance à s'allonger pendant l'utilisation. Si vous négligez de la faire, la chaîne risque de sauter du guide. Il est conseillé d'utiliser 2 ou 3 chaînes en alternance. Pour assurer une usure uniforme du guide, il convient de le retourner chaque fois que l'on remplace ou remet en place la chaîne.



### Enclencher le frein de chaîne (bloquer)

En cas de contrecoup suffisamment fort, le frein de chaîne se déclenche automatiquement dû à l'accélération rapide de la chaîne de sciage et à l'inertie de masse du protège-main (L/3). Lors d'un enclenchement manuel le protège-main (L/3) est poussé par la main gauche en direction de la pointe du guide de la chaîne (flèche 1).

**Libérer le frein à main** Tirer le protège-main (L/3) en direction de la poignée en étrier (flèche 2) jusqu'à son enclenchement. Le frein à frein est libéré.



### **N'UTILISEZ JAMAIS DE HUILES USAGEES**

Une huile usagée est extrêmement dangereuse pour l'environnement!

Les huiles usagées contiennent une grande part de produits connus pour être cancérigènes.

Les souillures dans les huiles usagées amènent une grande usure de la pompe à huile et du dispositif de sciage.

Les dommages résultant de l'utilisation d'huiles usagées ou d'huiles de chaîne non appropriées ne sont pas couverts par la garantie.

Votre vendeur spécialisé vous informe sur la manipulation et l'utilisation d'huile de chaîne de sciage.



## EVITEZ LE CONTACT AVEC LA PEAU ET LES YEUX



Les produits pétroliers, ainsi que les huiles, dégraissent la peau. Lors d'un contact répété et prolongé la peau se dessèche. Les suites peuvent être différentes maladies de peau. D'autre part, on connaît les réactions allergiques.

Le contact avec les yeux de l'huile conduit à des irritations. En cas de contact, rincer immédiatement l'oeil avec de l'eau claire.

Si l'irritation continue, consulter immédiatement un médecin.

## Remplissage des réservoirs



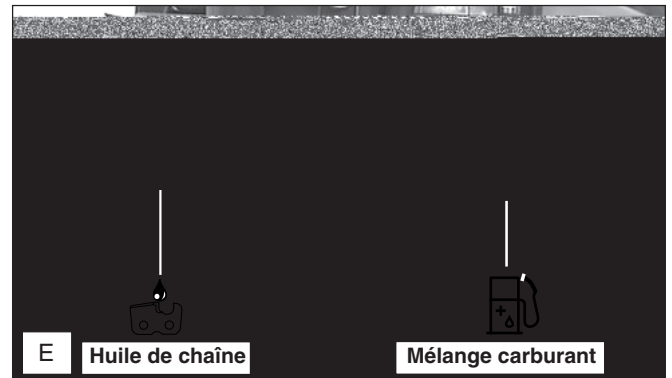
### RESPECTER IMPERATIVEMENT LES REGLES DE SECURITE (Page 39)!

La manipulation de carburants exige une manipulation avec précaution et prudence.

#### Ne le faire que si le moteur est arrêté!

- Bien nettoyer le pourtour des emplacements de remplissage pour éviter la pénétration de salissures dans le réservoir de mélange de carburant ou d'huile.
- Dévisser le bouchon du réservoir et remplir le mélange de carburant ou l'huile jusqu'au bord inférieur de la tubulure de remplissage en prenant soin de ne pas verser à côté le mélange ou l'huile de chaîne.
- Revisser fermement le capuchon du réservoir.

#### Nettoyer le capuchon et le pourtour après remplissage!

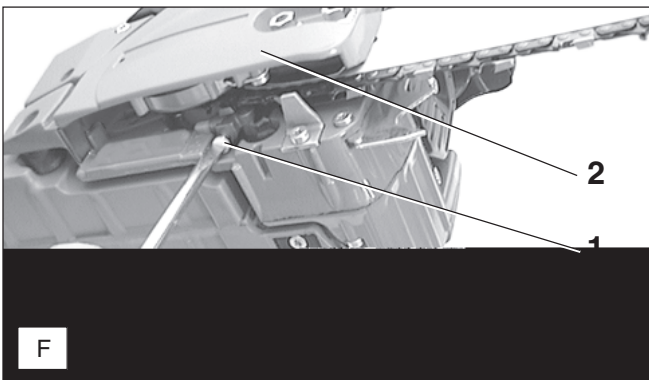


## Graissage de la chaîne de sciage



Pour graisser suffisamment la chaîne de sciage, il faut qu'il y ait toujours assez d'huile de chaîne dans le réservoir. Le contenu du réservoir suffit pour environ une demi-heure de marche continue. Vérifier pendant le travail qu'il y a suffisamment d'huile à chaîne dans le réservoir. Si nécessaire, faire l'appoint. **Ne le faire que si le moteur est arrêté!**

## Réglage du graissage de la chaîne

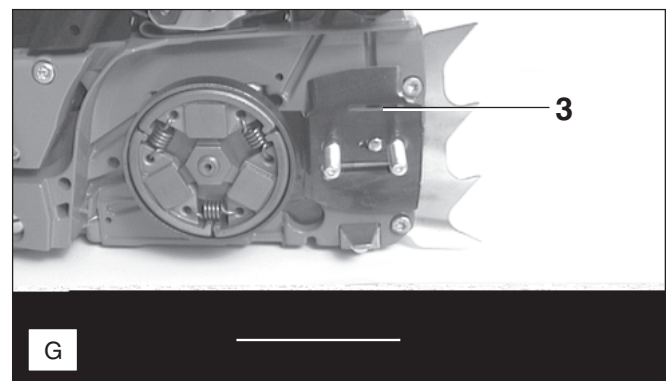


### A effectuer que si le moteur est arrêté!

Le débit de l'huile est réglable avec la vis de réglage (F/1). La vis de réglage se trouve sur la protection de la roue à chaîne (F/2) dans le carter (accessible du bas).

La pompe à huile est réglée en usine pour un débit moyen.

**Attention:** on règle le débit avec la vis de réglage (F/1 avec repère de réglage). La plage de réglage débit minimum/débit maximum est de 1/4 de tour.



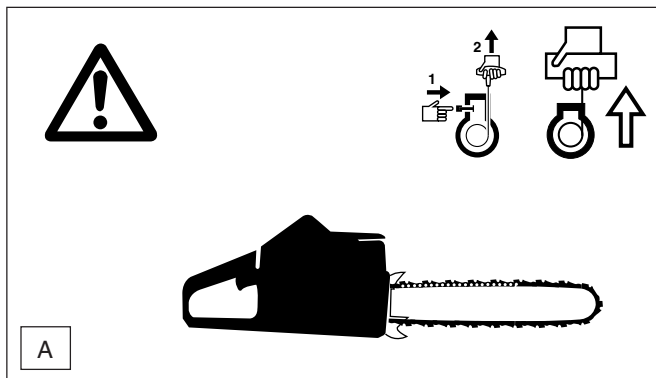
Pour que la pompe à huile fonctionne toujours parfaitement, la rainure de guidage d'huile sur le carter du vilebrequin (G/3), ainsi que les orifices d'entrée d'huile dans le rail-guidé de la chaîne (G/4) doivent régulièrement être nettoyés.

Pour modifier le débit avec la clé combinée, ajuster le débit par la vis de réglage (F/1) en:

- tournant à droite pour avoir un débit plus faible
- tournant à gauche pour avoir un débit plus fort.

**Remarque:** Après la mise hors service de la tronçonneuse, il est normal que de petites quantités d'huile de chaîne restent encore dans le système de conduite d'huile et sur le guide s'écoulent encore un certain temps. Il ne s'agit pas d'un défaut dans ce cas. Utiliser un support adéquat!

## Démarrer le moteur



- Démarrer le moteur au moins 10 pieds (3 m) de l'endroit du réservoir.
- Prendre une position stable et sûre, puis placer la tronçonneuse sur le sol pour que le dispositif de sciage soit dégagé.
- Libérer le frein de chaîne (bloquer).
- Saisir fermement la poignée-étrier avec une main et plaquer la tronçonneuse sur le sol.
- Placer la pointe du pied droit dans le protège-main arrière.

**Vérifier avant de**

prendre une position  
de façon à ce que

autre main étant

sur le  
sens de  
e. La

t

Vérifier avant de  
réservoir, ainsi que le  
Le débit d'huile peut

- Démarrer la tro
- Maintenir la c'
- par dessus l
- adéquate)

Lorsque le gr  
trace d'huil  
vent et n



Pour éviter que le carburant gèle lors de températures basses et en cas d'humidité de l'air élevée et pour atteindre plus rapidement la température de service lors de températures inférieures à 0° C, de l'air chaud peut être aspiré par le cylindre. Pour des températures supérieures à 0° C, de l'air froid doit être impérativement aspiré.

**En ne respectant pas cette consigne, le cylindre et le piston peuvent être endommagés!**

- Retirer le couvercle du filtre et le filtre à air (voir chapitre „Nettoyage du filtre à air“).
- Si de l'air chaud doit être aspiré par le cylindre, enlever le bouchon d'obturation (A/1) (clé combinée).

### INDICATION :

Conserver le bouchon d'obturation dans le sac à outils de montage. En cas de température supérieures à 0°C, le bouchon d'obturation doit être impérativement remis.

- Monter le filtre à air et le couvercle du filtre.

## TRAVAUX DE MAINTENANCE

### Affûtage de la chaîne de sciage

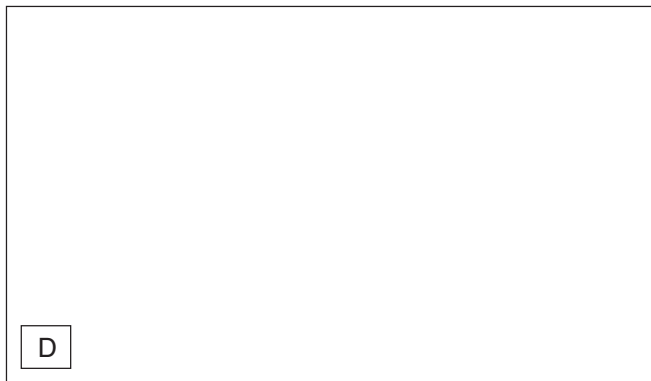
**ATTENTION: Pour tous travaux effectués sur le guide de la chaîne de sciage, le moteur doit être impérativement arrêté et la fiche de bougie doit être enlevée (voir paragraphe pour le remplacement de la bougie) et le port de gants de protection est obligatoire!**

#### La chaîne de sciage doit être affûtée lorsque :

- les copeaux deviennent farineux en sciant du bois humide.
- la chaîne, tout en exerçant une forte pression, ne „tire“ que péniblement dans le bois.
- les arêtes de coupe sont visiblement endommagées.
- le dispositif de sciage gauchit dans le bois latéralement vers la gauche ou la droite. La raison est un affûtage irrégulier de la chaîne de sciage.

#### Important : affûter souvent, sans enlever de trop de matériau!

Lors d'un simple affûtage, il suffit souvent de 2 à 3 coups de lime. Après avoir effectué soi-même plusieurs affûtages, faire affûter la chaîne à l'atelier spécialisé.



#### Critères d'affûtage :

##### ATTENTION :

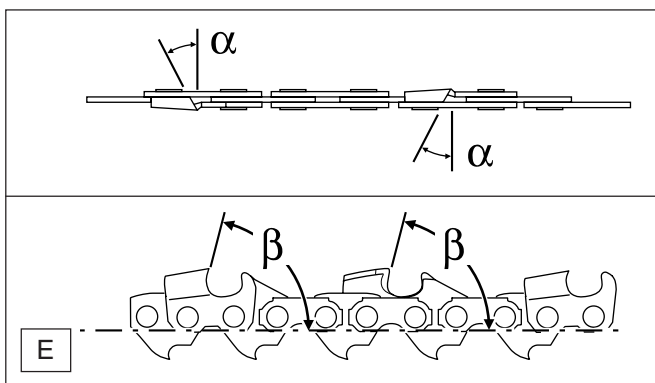
**N'utiliser que des chaînes et guide permis pour cette tronçonneuse (voir extrait de la liste de pièces de rechange)!**

- Toutes les dents de rabotage doivent avoir la même longueur (dimension a). Des dents de rabotage de hauteur différente signifient une marche dure de la chaîne et peuvent provoquer des ruptures de chaîne!
- Longueur minimale de dent de rabotage = 0.11" (3 mm). Ne pas raffûter la chaîne de sciage lorsque la longueur minimale de dent de rabotage est atteinte. Une nouvelle chaîne de sciage doit être alors montée (voir „extrait de la liste des pièces de rechange“ et chapitre „Nouvelle chaîne de sciage“).
- L'écart entre le limiteur de profondeur (nez rond) et l'arête de coupe détermine l'épaisseur du copeau.
- Les meilleurs résultats de coupe sont obtenus avec une distance du limiteur de profondeur de .025" (chain: 085 / .325") ou .030" (chain: 094, 102 / 3/8").

##### ATTENTION:

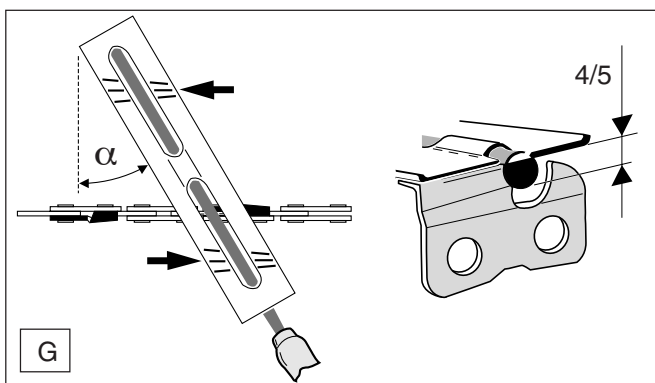
**Une distance trop grande augmente le danger d'un choc de recul!**





Chaîne de sciage	085 (.325")	094, 102 (3/8")
Angle d'affûtage $\alpha$	25°	30°
Angle d'arasement $\beta$	60°	85°

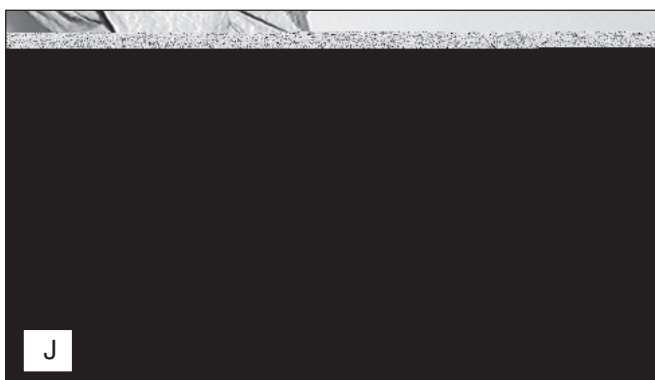
- L'angle d'affûtage  $\alpha$  doit être identique pour toutes les dents de rabotage. Des angles différents provoquent une marche irrégulière et rude de la chaîne, augmentent l'usure et aboutissent à des ruptures de chaîne!
- L'angle d'arasement de la dent de rabotage  $\beta$  résulte de la profondeur de pénétration de la lime ronde. Si la lime prescrite est guidée correctement, l'angle d'arasement correct s'obtient par lui-même.



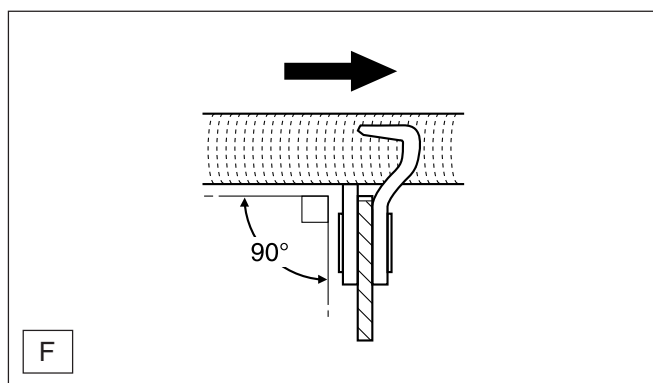
- Un porte-lime facilite le guidage de la lame, il porte des repères pour l'angle d'affûtage correct de  $\alpha$  (orienter les repères parallèlement à la chaîne de scie) et limite la profondeur de pénétration (4/5 du diamètre de la lime). Voir accessoires pour le n° de commande.

## Nettoyer le guide de la chaîne

**ATTENTION!**  
Porter impérativement des gants de protection.

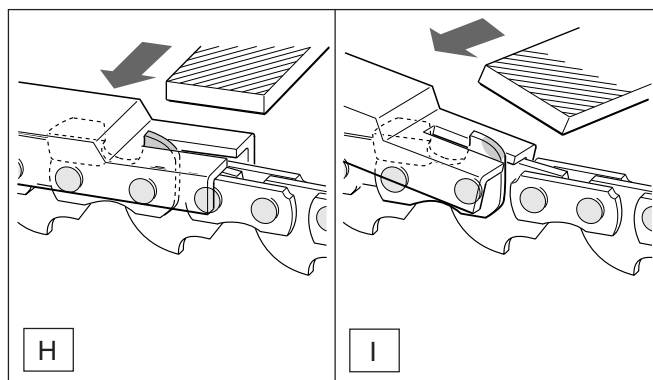


Les surfaces de roulement du guide de chaîne doivent être régulièrement vérifiées pour voir si elles ne sont pas endommagées et nettoyées avec un outillage adapté.



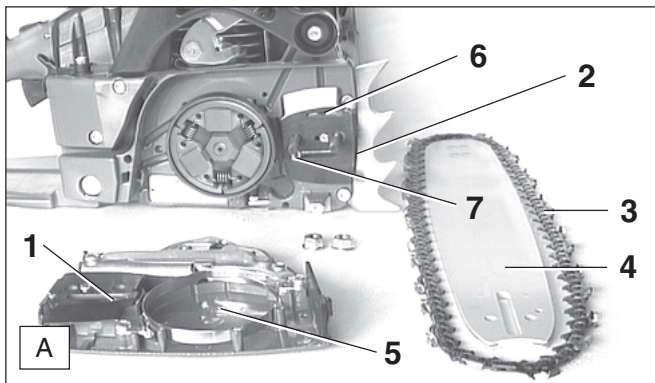
## Lime et guidage de la lime

- Pour affûter la lime, il faut utiliser un porte-lime spécial avec une lime ronde de chaîne.
  - Chaîne de sciage 085 (.325"): limer la première moitié de dent de rabotage avec la lime ronde de la chaîne de sciage  $\varnothing$  4,5 mm, ensuite  $\varnothing$  4,0 mm.
  - Chaîne de sciage 094, 102 (3/8"): la lime ronde de la chaîne de sciage  $\varnothing$  4,8 mm.
- Les limes rondes normales ne sont pas appropriées. Numéro de commande, voir accessoires.
- La lime ne doit attaquer que lors de la passe en avant (flèche). Lors du retour, relever la lime du matériel.
  - La dent de rabotage la plus courte est affûtée la première. La longueur de cette dent est alors la mesure type pour toutes les autres dents de rabotage de la chaîne de sciage.
  - Conduire la lime comme montré sur la photo F.



- A la suite du nouvel affûtage, vérifier la hauteur du limiteur de profondeur avec la jauge de mesure pour chaîne. Voir accessoires pour le n° de commande.
- Enlever avec la lime plate spéciale (H) tout dépassement, même le moindre.
- Arrondir à nouveau le limiteur de profondeur à l'avant (I).

## Nettoyer l'intérieur de la bande de frein de chaîne et de la roue à chaîne



**ATTENTION:** Pour tous travaux effectués sur le guide de la chaîne de sciage, le moteur doit être impérativement arrêté et la fiche de bougie doit être enlevée (voir paragraphe pour le remplacement de la bougie) et le port de gants de protection est obligatoire!

**ATTENTION:** La tronçonneuse ne peut être démarrée qu'après le montage complet et le contrôle effectué!

- Enlever la protection de roue à chaîne (A/1) (voir chapitre „MISE EN ROUTE“ A-B).
- Tourner la vis pour tendre la chaîne (A/2) dans le sens inverse des aiguilles jusqu'à ce que vous ressentiez une résistance.
- Enlever la chaîne de sciage (A/3) et le de chaîne (A/4).
- Nettoyer l'intérieur, en particulier la zone de la bande de frein (A/5) à l'aide d'un pinceau.

### REMARQUE :

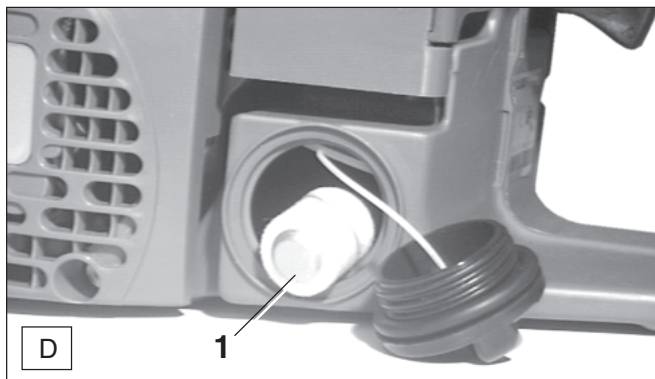
Veiller à ce qu'aucun résidu ne reste dans la rainure de guidage de l'huile (A/6) et sur le tendeur de chaîne (A/7).

- Montage du guide de chaîne, de la chaîne de sciage et de la protection de la roue à chaîne voir chapitre „MISE EN ROUTE“.

### REMARQUE:

**Le frein de chaîne est un dispositif de sécurité très important et il est soumis comme chaque pièce à une certaine usure. Une vérification et une maintenance régulières servent à vous assurer votre propre protection et doivent être effectuées par un atelier spécialisé MAKITA.**

## Remplacement de la crépine d'aspiration



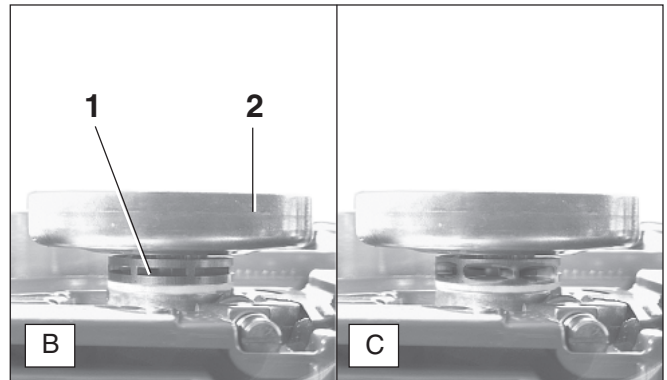
Le filtre feutre (D/1) de la crépine d'aspiration peut se boucher pendant l'utilisation. Pour assurer une alimentation sans problème du carburant vers le carburateur, la crépine d'aspiration devra être remplacée environ tous les 3 mois.

Retirer la crépine d'aspiration avec un crochet en fil de fer à travers l'orifice de fermeture du réservoir.

## Nouvelle chaîne de sciage

### ATTENTION :

N'utiliser que des chaînes et guide permises pour cette tronçonneuse (voir extrait de la liste de pièces de rechange)!



Avant de monter une nouvelle chaîne de sciage, il faut vérifier l'état de la roue à chaîne (B/1).

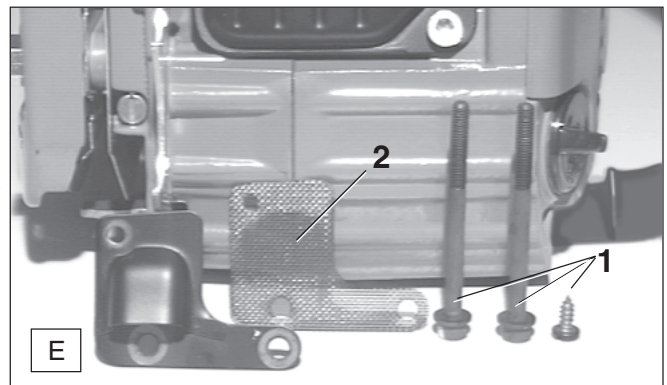
La roue à chaîne se trouve sous le tambour d'accouplement (B/2).

### ATTENTION :

Des roues à chaîne usées (C) provoquent des détériorations sur une nouvelle chaîne de sciage et doivent impérativement être remplacées.

Le remplacement de la roue à chaîne exige une formation spécialisée et doit être effectué par un atelier spécialisé MAKITA équipé d'un outillage spécial.

## Changement / nettoyage du pare-étincelles



Il faut vérifier et nettoyer régulièrement le pare-étincelles.

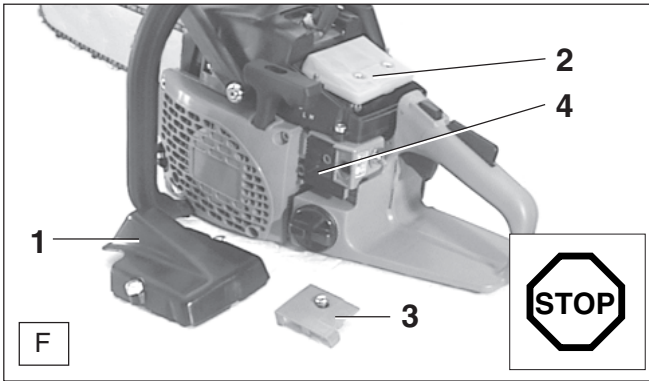
- Desserrer les 3 vis (E/1) et enlever le pare-étincelles (E/2).
- Remontez le pare-étincelles et serrez la vis. Serrer les deux longues vis à 6,3 ft. lb.(8,5 Nm).

### ATTENTION:

N'utilisez pas d'objets coupants ou pointus pour nettoyer le pare-étincelles car vous pourriez endommager ou déformer les fils du pare-étincelles.



## Nettoyage du filtre d'air



- Dévisser le couvercle du filtre (F/1) et le retirer (2 vis).
- Dévisser le filtre à air (F/2) et le retirer du collecteur d'admission.
- Dévisser et enlever le couvercle du préfiltre (F/3) (1 vis).
- Retirer le préfiltre (F/4)

### ATTENTION :

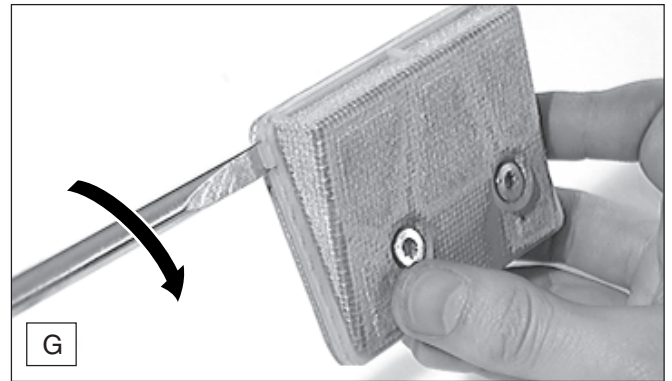
Couvrir l'orifice d'aspiration d'un chiffon propre pour empêcher que des particules de saleté ne tombent dans le carburateur.

- Séparer la partie supérieure et inférieure du filtre à air comme montré sur la photo G.

### ATTENTION :

**Pour éviter toute blessure aux yeux, ne pas souffler les particules de salissure.**

**Ne pas nettoyer le filtre à air et le préfiltre à l'essence.**



- Nettoyer le filtre à air et le préfiltre avec un pinceau ou une brosse douce.
- Laver des filtres à air fortement encrassés dans de l'eau savonneuse tiède avec du détergent usuel de machine à laver la vaisselle.
- **Bien sécher** le filtre à air.
- R assembler la partie supérieure et inférieure.
- Avant de monter le filtre à air, contrôler si l'orifice d'aspiration n'est pas obturé par des particules de saleté. Les enlever éventuellement à l'aide d'un pinceau.

En cas de salissure importante, nettoyer souvent (plusieurs fois par jour), car un filtre à air et un préfiltre propres garantissent le bon fonctionnement du moteur.

### ATTENTION:

**Remplacer aussitôt le filtre à air ou préfiltre endommagé ! Des morceaux de tissu déchirés et des particules de salissure grossières peuvent détériorer le moteur.**

## Remplacement de bougie



### ATTENTION

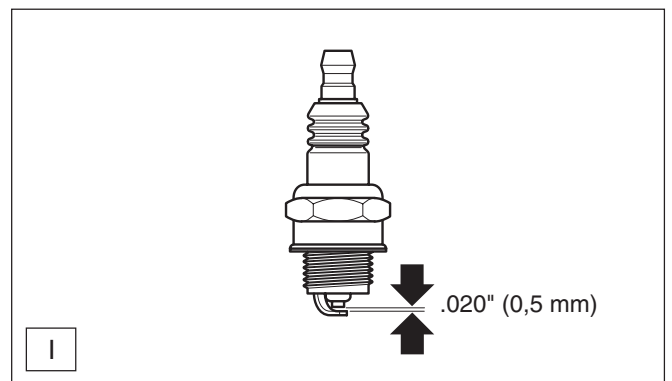
**Les bougies d'allumage ou la fiche de la bougie ne doivent pas être touchés le moteur en marche (haute tension).**

**N'effectuer des travaux de maintenance que si le moteur est arrêté.**

**Risque de brûlure lorsque le moteur est chaud : porter absolument vos gants de protection !**

En cas de détérioration du corps isolant, d'usure importante des électrodes resp. d'électrodes très encrassées ou pleines d'huile, il faut procéder à un remplacement de la bougie.

- Enlever le couvercle du filtre (voir nettoyage du filtre à air).
- Retirer la fiche de la bougie (H/1) de la bougie. Démontez la bougie uniquement avec la clé combinée comprise dans la fourniture.



### Ecartement des électrodes

L'écartement des électrodes doit être de .020" (0,5 mm).

**ATTENTION:** N'utilisez comme rechange que les bougies:

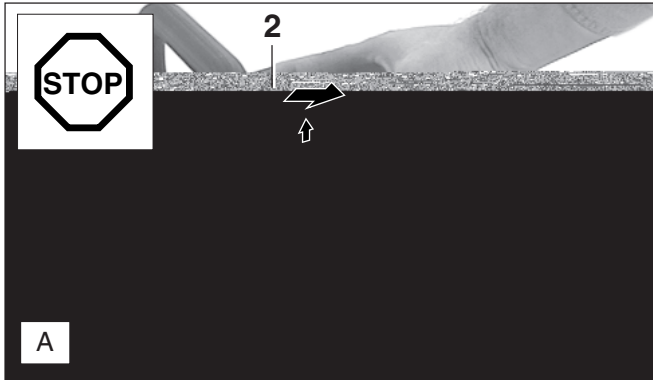
- **BOSCH WSR 6F** ou
- **NGK BPMR 7A.**

### Vérification de l'étincelle d'allumage

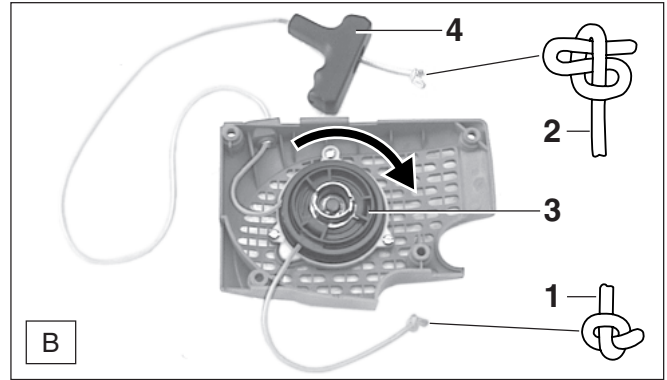
- Approcher une bougie dévissée avec le câble solidement enfilé en la maintenant avec une pince contre le cylindre (pas à proximité de l'orifice de la bougie!)
- Placer le commutateur Start/Stop en position „I“.
- Tirer fortement sur le cordon de lancement.

En fonctionnement correct, l'étincelle doit être visible sur les électrodes.

## Remplacement du cordon de lancement



- Dévisser les quatre vis (A/1), soulever légèrement le carter du ventilateur (A/2) par le bas, le tirer dans la direction de la flèche et l'enlever.
- Enlever les anciens restes de cordon.

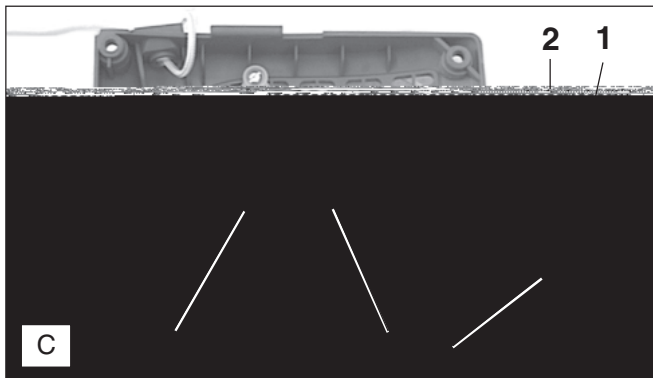


- Enfiler un nouveau cordon (Ø 4 mm, 1000 mm de long) comme décrit sur la photo et nouer les deux extrémités.
- Insérer le noeud (B/1) dans le tambour d'enroulement (B/3).
- Insérer le noeud (B/2) dans la poignée de lancement (B/4).
- Enrouler le cordon autour du tambour dans la direction de la flèche. Ensuite, écarter le cordon du tambour en tirant avec la poignée de lancement, maintenir le tambour d'enroulement et réenrouler le cordon trois fois autour du tambour.

**ATTENTION : Risque de blessure ! Bloquer la poignée de lancement tirée. Elle peut rebondir en arrière si vous relâchez par inadvertance le tambour d'enroulement.**

**INDICATION :** Si la corde de lancement est tirée fortement, le tambour d'enroulement doit pouvoir faire un moins un 1/4 de tour contre l'effort de ressort.

## Remplacement du ressort de rappel



- Enlever le carter du ventilateur (voir chapitre «Remplacement de la corde de lancement»).
- Enlever l'anneau d'étanchéité (C/1) et la rondelle (C/2) (pince pour anneaux d'étanchéité extérieurs, voir accessoires)
- Retirer le tambour d'enroulement (C/3).

- Dévisser les vis (C/4) et enlever délicatement la cage à ressort (C/5) avec le ressort.

**ATTENTION : Risque de blessure ! Un ressort cassé peut sauter.**



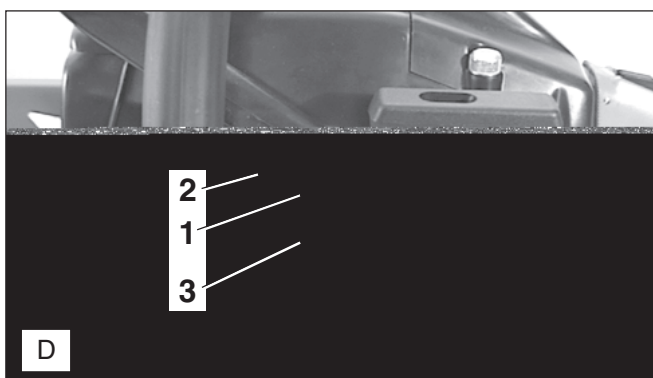
**INDICATION :**

Débarassez-vous de l'ancien ressort et de la cage à ressort en recourant au programme de recyclage.

Les ressorts d'appel de remplacement sont fournis insérés dans le capot à ressort. Le nouveau ressort d'appel doit être légèrement graissé avant le montage avec de la graisse multi-usage, n° de commande 944 360 000.

- Montage dans l'ordre inverse, poser le tambour d'enroulement en le tournant légèrement jusqu'à ce qu'il s'enclenche vraiment.
- Enrouler le cordon de lancement, voir chapitre „Remplacement du cordon de lancement“.

## Montage du carter du ventilateur



- Pousser l'arête saillante (D1) du carter du ventilateur (D/3) sous le capot de protection (D/2).
- Ajuster les trous de fixation.
- Appuyer légèrement le carter du ventilateur (D/3) et tirer sur la poignée de lancement jusqu'à ce que le dispositif de lancement s'enclenche.
- Bloquer le carter du ventilateur avec les quatre vis de fixation.

## Instruction d'entretien quotidien et périodique

De manière à garantir une longue durée de vie et le plein fonctionnement des dispositifs de sécurité et à éviter des détériorations, il faut effectuer régulièrement les travaux de maintenance décrits ci-dessous. Les réclamations ne pourront être reconnues comme telles si ces travaux ont été effectués régulièrement et correctement. Des accidents risquent de se produire en cas de non-observation.

Procédez aux opérations de maintenance suivantes tous les jours après le travail. Prenez-en l'habitude, car cela ne prend pas beaucoup de temps et c'est la garantie que votre tronçonneuse fonctionnera toujours correctement.

Cela permet également de détecter les défauts cachés avant qu'ils n'entraînent des interruptions gênantes et onéreuses de votre travail. Si vous détectez un défaut du système de sécurité en procédant à l'entretien quotidien, n'utilisez pas la tronçonneuse avant d'avoir remédié au défaut.

Les utilisateurs de tronçonneuses doivent effectuer que les travaux de maintenance et d'entretien qui sont décrits dans la manual d'emploi. Les travaux non compris dans cette liste ne doivent être exécutés que dans un atelier spécialisé de MAKITA.

Page

<b>Généralités</b>	Tronçonneuse entière	Nettoyer l'extérieur et vérifier si elle n'est pas détériorée. En cas de détériorations, faire effectuer immédiatement les réparations par un spécialiste.	
	Chaîne de sciage Frein à chaîne Guide de chaîne	Raffûter régulièrement, remplacer à temps Faire vérifier régulièrement par l'atelier spécialisé Tourner afin que les surfaces de roulement sollicitées s'usent de manière régulière.	56-57  51
<b>Avant toute mise en route</b>	Chaîne de sciage	Vérifier le tranchant et si elle n'est pas détériorée. Contrôler la tension de la chaîne.	56 51
	Guide de la chaîne Graissage de la chaîne Frein de chaîne Arrête chaîne Commutateur STOP Touche de blocage de sécurité Levier de gaz Fermeture réservoirs huile et carburant	Vérifier s'il n'est pas détérioré Vérifier le fonctionnement Vérifier le fonctionnement Vérifier s'il n'est pas détérioré  Vérifier le fonctionnement  Vérifier l'étanchéité et la présence de fuites	55 45   54-55
<b>Journallement</b>	Filtre à air, préfiltre Frein de chaîne	Nettoyer (plus souvent si nécessaire) Nettoyer et vérifier pour voir si il y a des dommages visibles ou des fissures.	59 58
	Guide de la chaîne Support, guide de chaîne Vitesse de rotation à vide	Vérifier si il n'est pas détérioré, nettoyer l'orifice d'entrée d'huile Nettoyer, particulièrement la rainure d'alimentation d'huile Contrôler (la chaîne ne doit pas être entraînée)	53 53, 58 55
<b>Toutes les semaines</b>	Carter du ventilateur	Nettoyer pour garantir un parfait guidage de l'air de refroidissement.	60
	Cordon de lancement Enceinte du carburateur Frein de chaîne Bougie Silencieux Capteur de chaîne	Vérifier s'il n'est pas détérioré Nettoyer, pour cela démonter le couvercle du filtre Nettoyer la bande du frein (sciures, huile) Vérifier, le cas échéant, remplacer Vérifier s'il n'est pas encrassé. Vérifier	60 59 58 59 58 57
<b>Tous les 3 mois</b>	Crépine d'aspiration Réservoirs carburant/huile	Remplacer Nettoyer	58 53
	<b>Tous les ans</b>	Tronçonneuse entière	Faire vérifier par un atelier spécialisé
<b>Stockage</b>	Tronçonneuse entière  Chaîne de sciage et guide de la chaîne Réservoirs carburant/huile Carburateur	Nettoyer l'extérieur et vérifier si elle n'est pas détériorée. En cas de détériorations, faire effectuer immédiatement les réparations par un spécialiste. Démonter, nettoyer et légèrement huiler Nettoyer la rainure de guidage du guide de la chaîne Vidanger et nettoyer Le laisser se vider en marche	57

## Service d'atelier, pièces de rechange et garantie

### Maintenance et réparations

La maintenance et la remise en état de tronçonneuses modernes ainsi que les éléments les plus importants de la sécurité exigent une formation professionnelle qualifiée et un atelier équipé d'outillage spécial et d'appareils de contrôle.

MAKITA conseille donc de faire exécuter tous les travaux de maintenance non décrits dans la manual d'emploi par un atelier spécialisé MAKITA. Le spécialiste dispose de la formation, de l'expérience et des équipements nécessaires pour vous apporter chaque fois la solution économique la plus avantageuse et vous apporte une aide d'assistance en pratique et en conseil.

Veuillez vous adresser à la représentation générale indiquée au dos de la présente notice ou à l'importateur désigné. Vous y recevrez l'adresse de l'atelier spécialisé le plus proche de chez vous.

## Pièces de rechange

Le fonctionnement permanent fiable et la sécurité de votre appareil dépend aussi de la qualité des pièces de rechange utilisées. N'utilisez que des pièces de rechange d'origine MAKITA, signalées par 

Seules les pièces d'origine proviennent de la chaîne de production de l'appareil et vous assurent donc la qualité optimale du matériau, du respect des dimensions et du fonctionnement et une sécurité irréprochables.

Les pièces accessoires et de rechange d'origine vous sont proposées par votre vendeur spécialisé. Il dispose des listes de pièces de rechange nécessaires pour déterminer le numéro de la pièce de rechange nécessaire, et vous informera à fur et à mesure des améliorations de détail et des nouveautés dans l'offre des pièces de rechange.

Veuillez aussi noter, qu'en utilisant des pièces qui ne sont pas d'origine de MAKITA vous perdez tout droit à la garantie de l'organisation MAKITA.

## Garantie

MAKITA garantit un qualité irréprochable et supporte les frais pour une amélioration par remplacement des pièces défectueuses dans le cas de défauts de matériel ou de fabrication qui se présentent dans le délai de garantie après le jour de vente. Veuillez noter que dans certains pays, il existe des conditions de garantie spécifiques. Adressez vous, en cas de doute, à votre vendeur. En tant que vendeur du produit, il doit vous assurer la garantie.

Nous vous prions de comprendre que nous ne pouvons pas assurer la garantie pour les causes de détériorations suivantes:

- Non respect de la manual d'emploi
- Non exécution des travaux de maintenance et réparations nécessaires
- Détériorations par suite d'un réglage non conforme du carburateur
- Usure normale
- Surcharge manifeste par dépassement permanent de la limite supérieure de la puissance
- Utilisation de types de chaînes et de guides de la chaîne non agréés
- Utilisation de longueurs de chaînes et de guides de la chaînes non admises
- Forçage, traitement non conforme, emploi non autorisé ou cas d'accidents
- Détériorations de surchauffe causées par des encrassements du carter du ventilateur.
- Interventions de personnes non compétentes ou essais de réparations non conformes
- Utilisation de pièces de rechange non appropriées resp. de pièces non d'origine MAKITA, dans la mesure où elles sont sources de détériorations
- Utilisation de produits de fonctionnement inadaptés ou superposés
- Détériorations provenant de conditions d'utilisation du magasin de location

Les travaux de nettoyage, d'entretien et de réglage ne sont pas reconnus comme prestations de garantie. Tout travail au titre de la garantie est à effectuer par le vendeur spécialiste MAKITA.

## Recherche de pannes

Panne	Système	Observation	Origine
Chaîne ne démarre pas	Frein de chaîne	Moteur tourne	Frein de chaîne enclenché
Moteur ne démarre pas ou démarre difficilement	Système d'allumage  Alimentation carburant  Système de compression  Défaut mécanique	Allumage existe  Pas d'allumage  Réservoir carburant rempli  A l'intérieur de l'appareil  A l'extérieur de l'appareil Lanceur n'accroche pas	Défaut dans l'alimentation du carburant, système de compression, défaut mécanique Commutateur STOP enclenché, défaut ou court-circuit dans le câblage, fiche de bougie, bougie défectueuse Choke en mauvaise position, carburateur défectueux, crépine d'aspiration bouchée, conduite de carburant sectionnée ou coincée Joint du pied de cylindre défectueux, bagues à lèvres endommagées, segments de cylindre ou de pistons endommagés Bougie n'est pas étanche Ressort dans le démarreur brisé, pièces brisées à l'intérieur du moteur
Problèmes de démarrage à chaud	Carburateur	Carburant dans réservoir Étincelle existante	Réglage du carburateur non correct
Moteur démarre, mais s'arrête immédiatement après	Alimentation carburant	Carburant dans réservoir	Réglage du ralenti non correct, crépine d'aspiration ou carburateur encrassé Aération réservoir défectueux, conduite carburant interrompue, câble défectueux, commutateur STOP endommagé Soupape de mise en marche encrassée (DCS 431)
Manque puissance	Plusieurs systèmes peuvent être mis en cause	Appareil tourne au ralenti	Filtre à air ou préfiltre encrassé, faux réglage du carburateur, silencieux bouché, tuyau d'échappement des gaz dans le cylindre est bouché, pare-étincelles bouché.
Pas de graissage de la chaîne	Réservoir d'huile, pompe d'huile	Pas d'huile de chaîne sur la chaîne de sciage	Réservoir d'huile vide Rainure d'alimentation d'huile encrassée Vis de réglage de la pompe à huile dérégulée

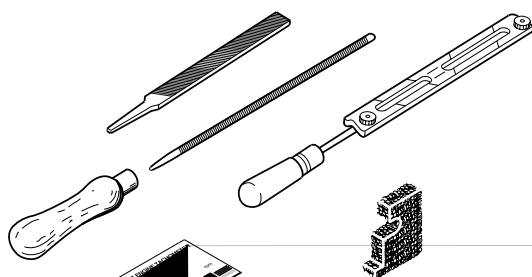
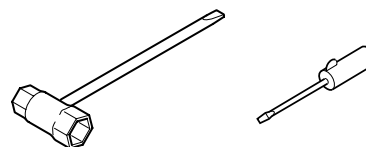
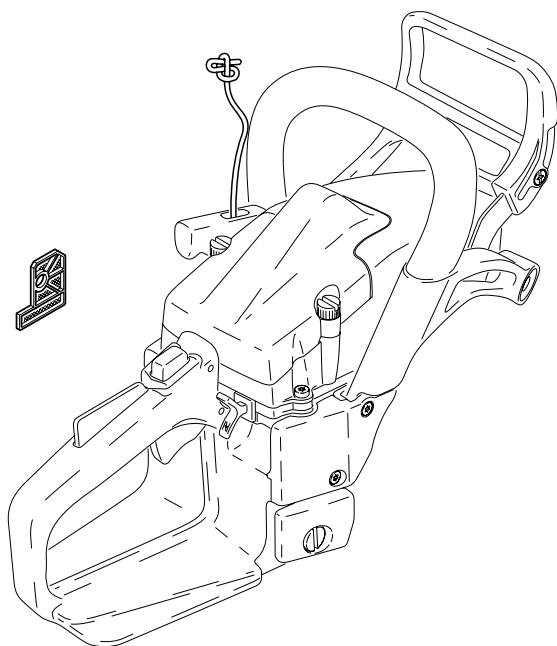
## Extrait de la liste des pièces de rechange

N'utilisez que des pièces de rechange d'origine MAKITA.

Pour les réparations et la rechange pour d'autres pièces, votre atelier spécialisé MAKITA est compétent.



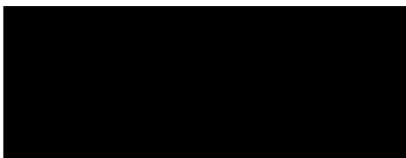
Pos.	N° MAKITA	pcs.	Désignation
1			Guide à étoile (voir "combinaisons autorisées de guides et de chaînes", page 47)
2			Chaîne de sciage (voir "combinaisons autorisées de guides et de chaînes", page 47)
3	952 100 633	1	Protection chaîne .325" pour 15", 18"
	952 100 643	1	Protection chaîne 3/8" pour 15", 18"
	952 100 653	1	Protection chaîne 3/8" pour 21"
4	027 213 651	1	Protection cpl. roue à chaîne
5	923 208 004	2	Ecrou hexag. M8
6	941 719 131	1	Clé combinée ouverture 13/19
7	010 114 010	1	Crépine d'aspiration
8	965 603 021	1	Bougie
9	020 173 300	1	Filtre à air (robbkoflok)
10	965 451 901	1	Capuchon cpl. réservoir essence
11	963 232 045	1	O-Ring 31x4,5 mm
12	010 114 031	1	Capuchon cpl. réservoir huile
13	963 100 050	1	Joint
14	944 340 001	1	Tournevis pour carburateur (seulement pour DCS5200i, DCS5200)
15	940 827 000	1	Tournevis coudé
16	108 164 020	1	Cordon de lancement
17	020 163 031	1	Ressort de rappel avec cage
18	020 173 011	1	Préfiltre
19	965 404 230	1	Bouchon d'obturation
20	915 042 130	1	Vis
21	020 174 121	1	Ecran de protection
22	020 174 110	1	Pare-étincelles
23	908 205 625	2	Vis cilíndrico
24	928 405 000	2	Rondella á ressort



### Accessoires (non compris dans la livraison)

25	953 100 090	1	Jauge de mesure des chaînes
26	953 004 010	1	Manche de lime
27	953 003 090	1	Lime ronde ø 4,0 mm
	953 003 100	1	Lime ronde ø 4,5 mm
	953 003 070	1	Lime ronde ø 4,8 mm
28	953 003 060	1	Lime plate
29	953 030 010	1	Porte lime
30	950 233 210	1	Tachymètre
32	020 173 061	1	Filtre à neige
33	946 101 010	1	Pince pour anneaux d'étanchéité ex.
-	949 000 035	1	Nourrice combinée (pour 5l carburant, 2,5l huile)





**Makita U.S.A., Inc.**  
14930 Northam Street  
La Mirada  
CA 90638-5753  
USA

**Makita Canada Inc.**  
DOLMAR Division  
1950 Forbes Street  
Whitby, Ontario  
Canada, L1N 7B7

## Free Manuals Download Website

<http://myh66.com>

<http://usermanuals.us>

<http://www.somanuals.com>

<http://www.4manuals.cc>

<http://www.manual-lib.com>

<http://www.404manual.com>

<http://www.luxmanual.com>

<http://aubethermostatmanual.com>

Golf course search by state

<http://golfingnear.com>

Email search by domain

<http://emailbydomain.com>

Auto manuals search

<http://auto.somanuals.com>

TV manuals search

<http://tv.somanuals.com>