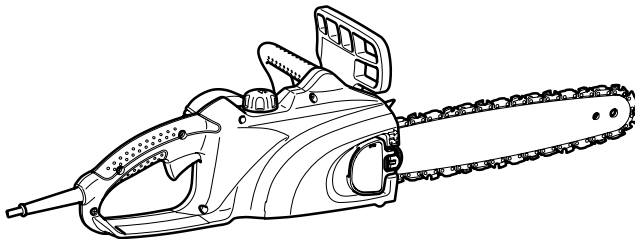
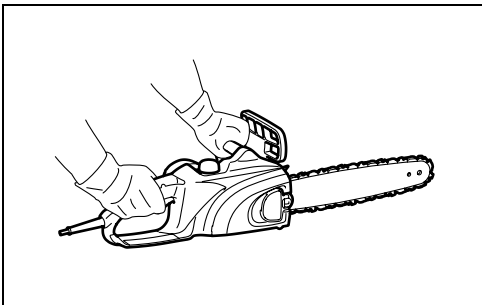
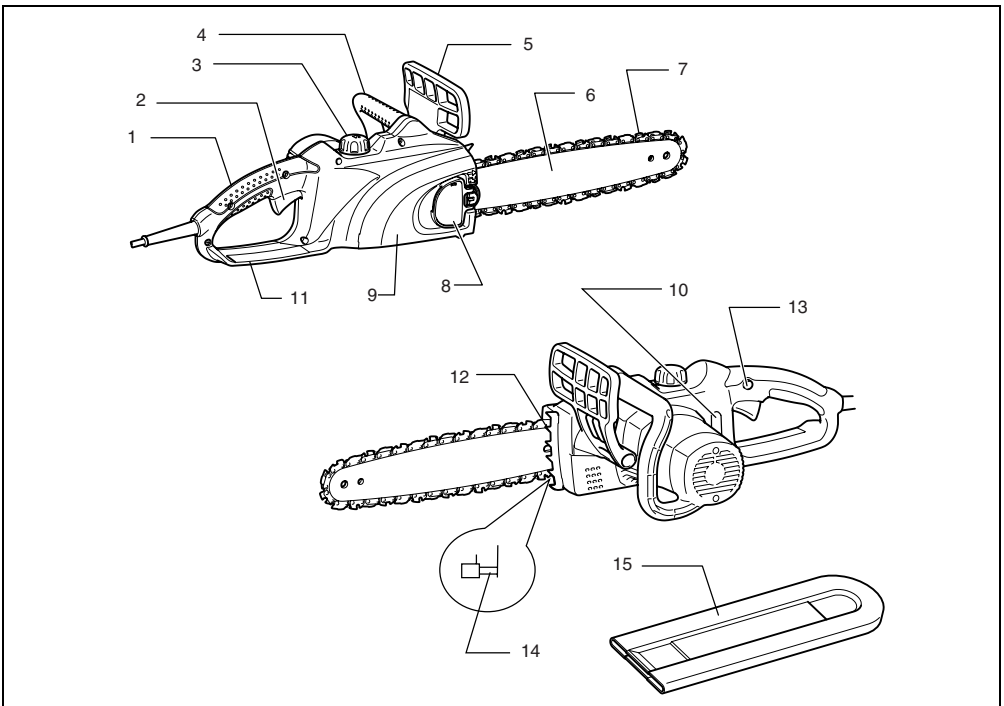




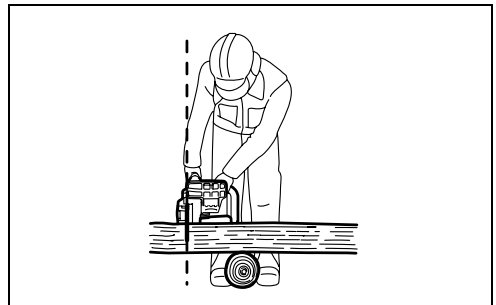
<b>GB</b>	<b>Chain Saw</b>	<b>Instruction manual</b>
<b>F</b>	<b>Tronçonneuse</b>	<b>Manuel d'instructions</b>
<b>D</b>	<b>Kettensäge</b>	<b>Betriebsanleitung</b>
<b>I</b>	<b>Motosega</b>	<b>Istruzioni per l'uso</b>
<b>NL</b>	<b>Kettingzaag</b>	<b>Gebruiksaanwijzing</b>
<b>E</b>	<b>Sierra de cadena</b>	<b>Manual de instrucciones</b>
<b>P</b>	<b>Moto-serra</b>	<b>Manual de instruções</b>
<b>DK</b>	<b>Motorsav</b>	<b>Brugsanvisning</b>
<b>S</b>	<b>Motorsåg</b>	<b>Bruksanvisning</b>
<b>N</b>	<b>Motorkjedesag</b>	<b>Bruksanvisning</b>
<b>SF</b>	<b>Ketjusaha</b>	<b>Käyttöohje</b>
<b>GR</b>	<b>Αλυσοπίριον</b>	<b>Οδηγίες χρήσης</b>

**UC3020A**  
**UC3520A**  
**UC4020A**

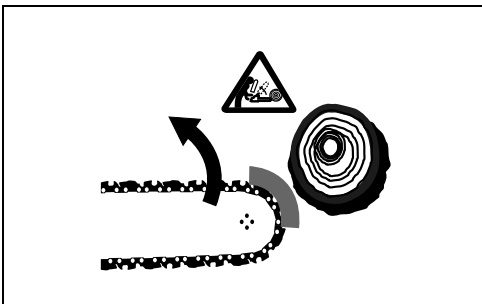




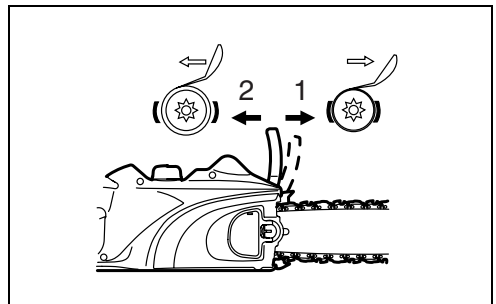
1



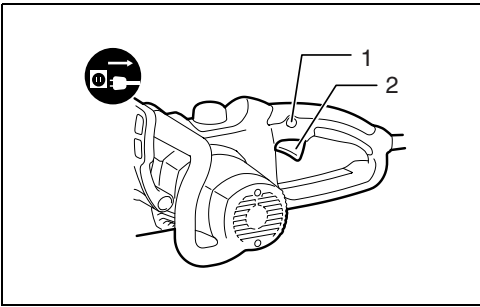
2



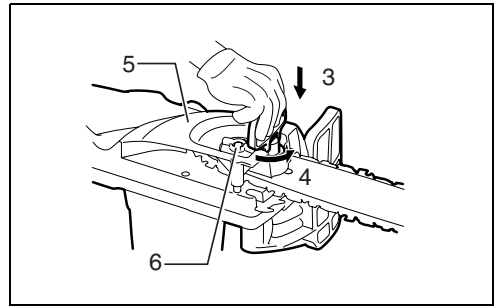
3



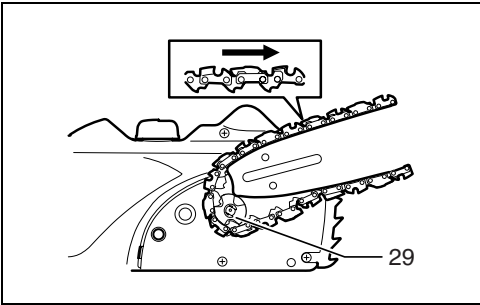
4



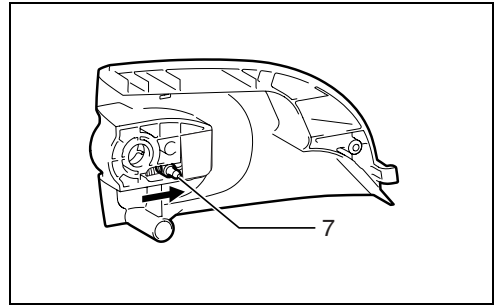
5



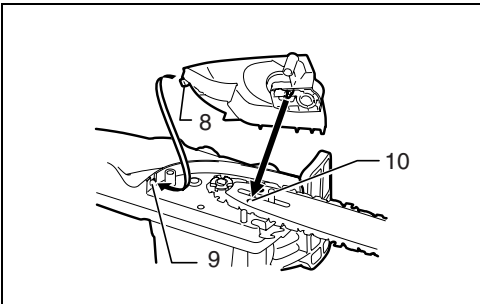
6



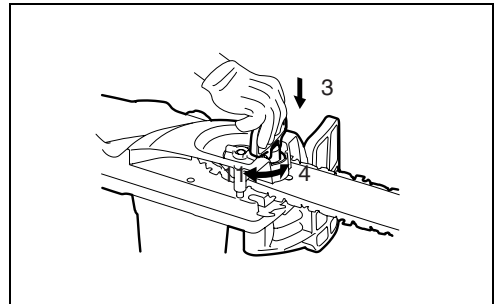
7



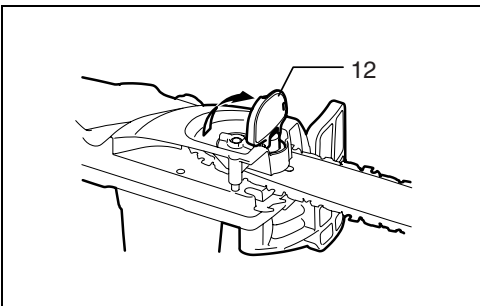
8



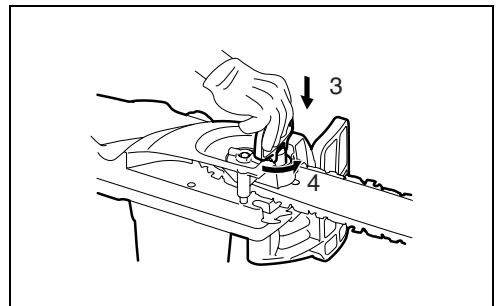
9



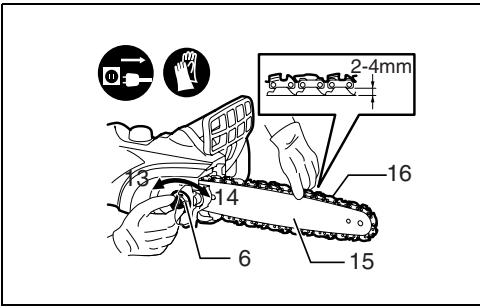
10



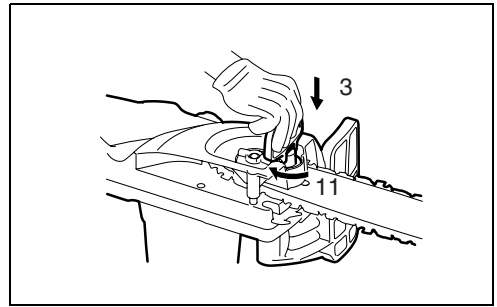
11



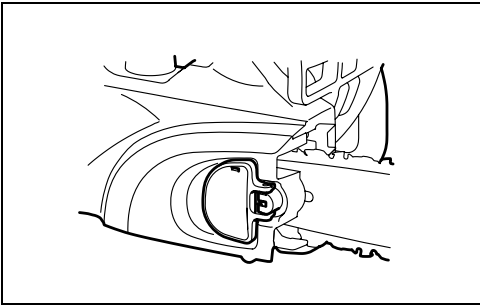
12



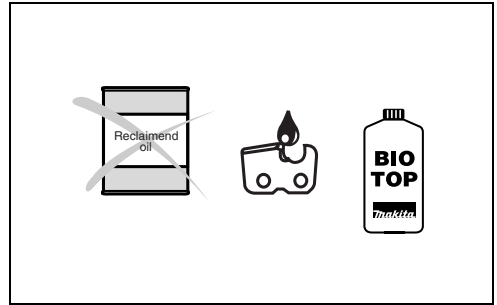
13



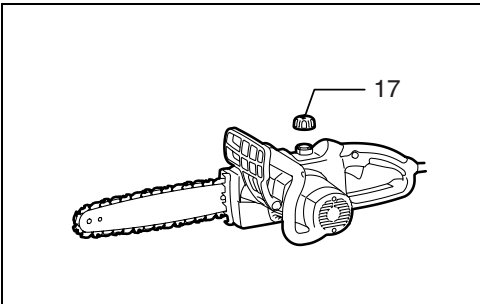
14



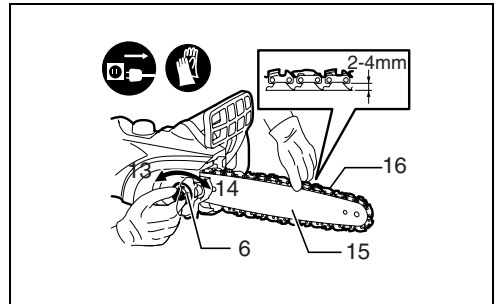
15



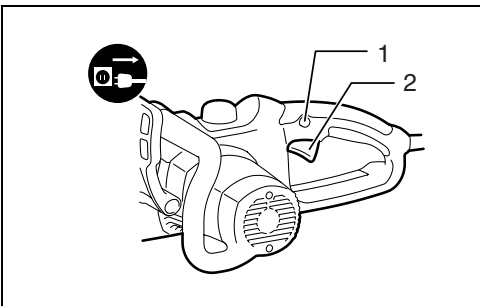
16



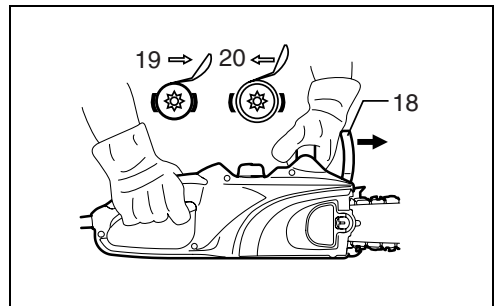
17



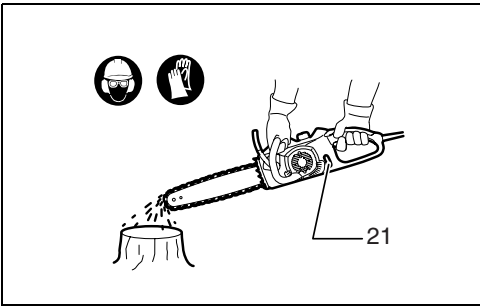
18



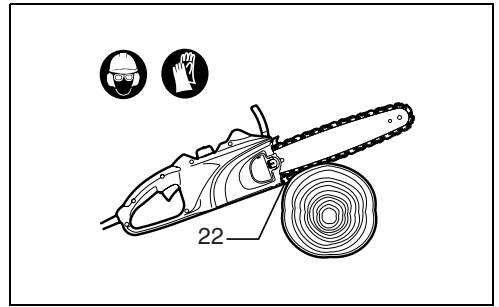
19



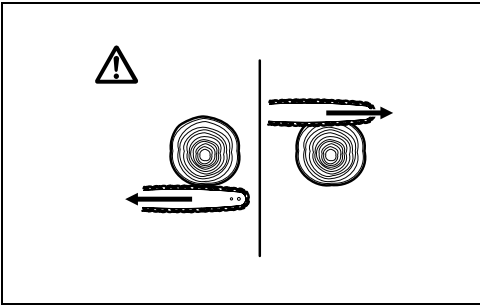
20



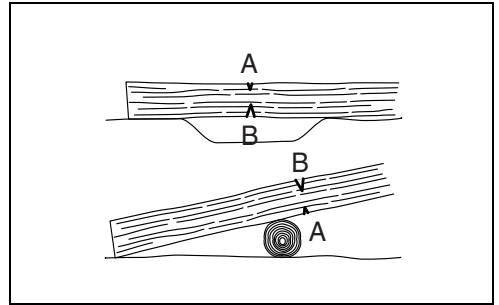
21



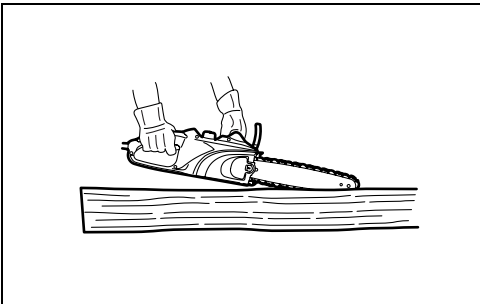
22



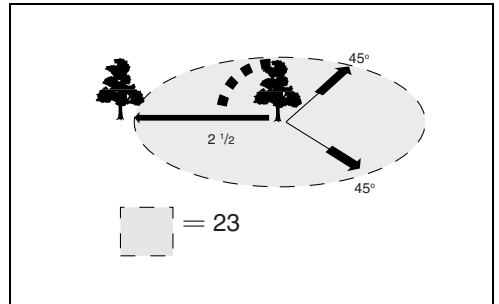
23



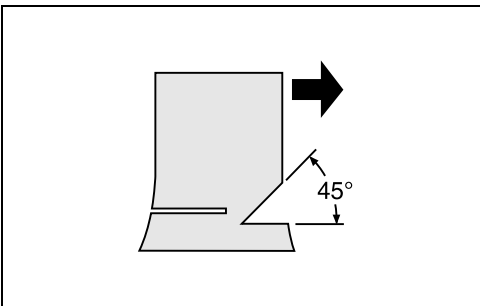
24



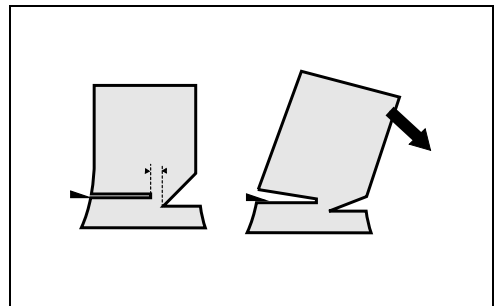
25



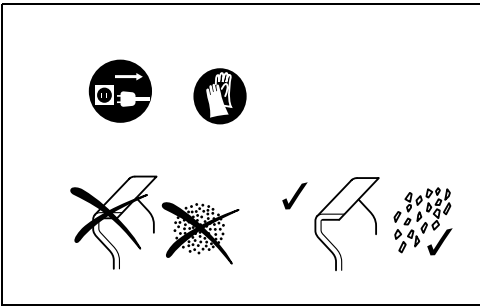
26



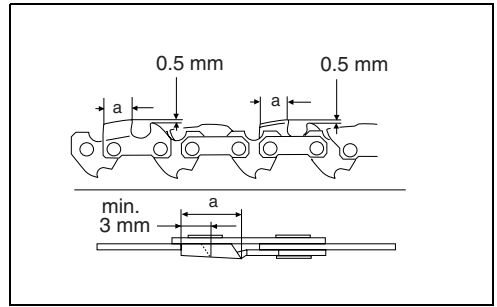
27



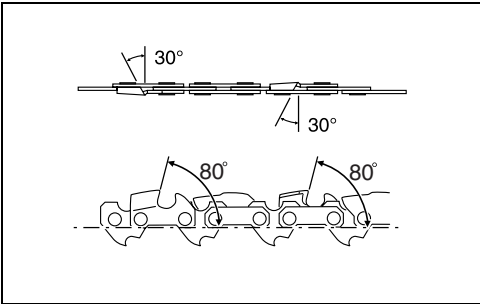
28



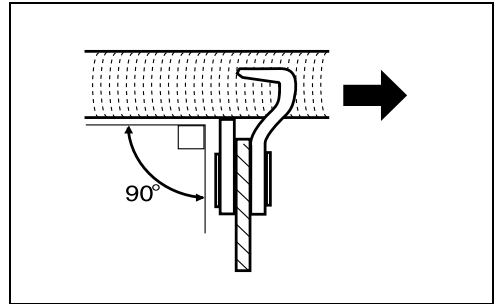
29



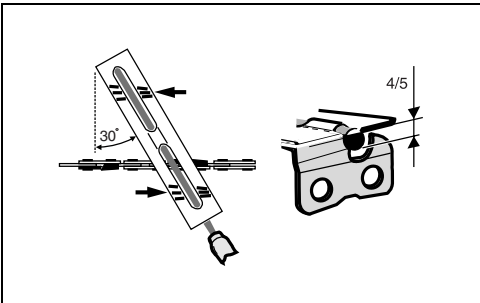
30



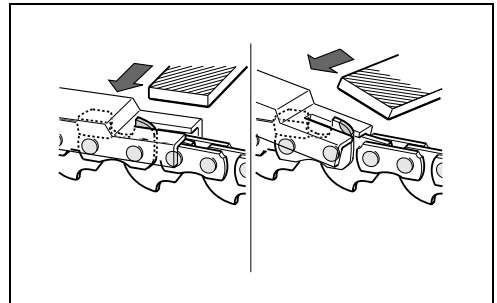
31



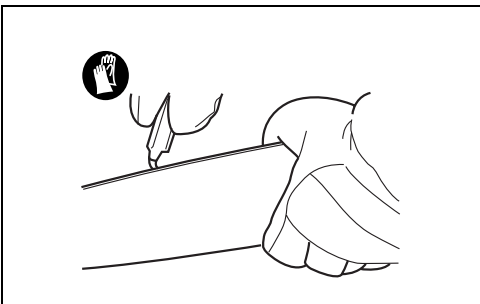
32



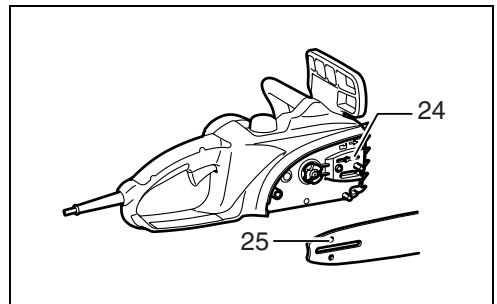
33



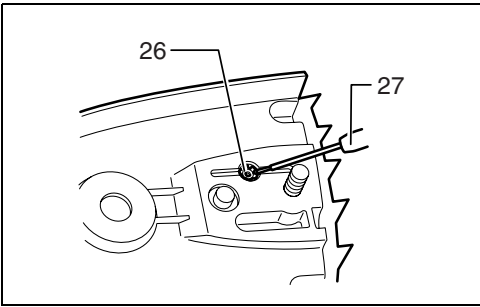
34



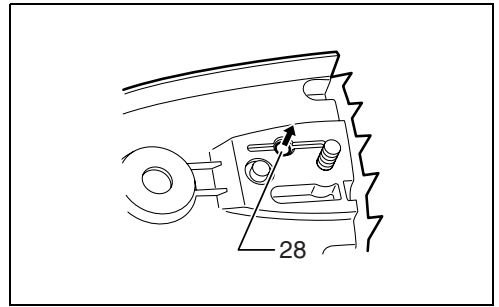
35



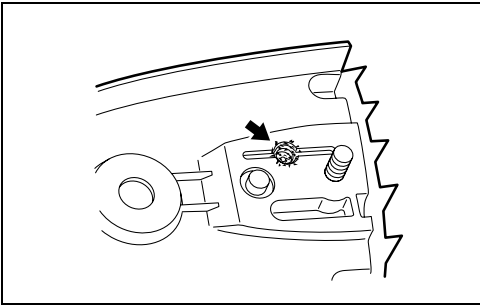
36



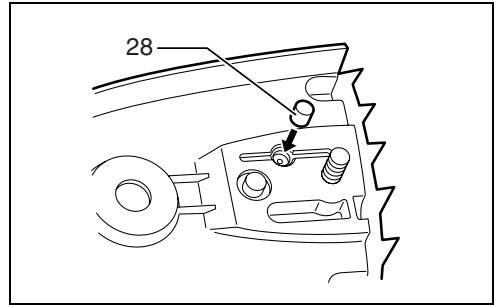
37



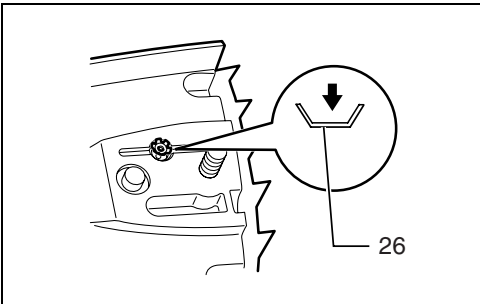
38



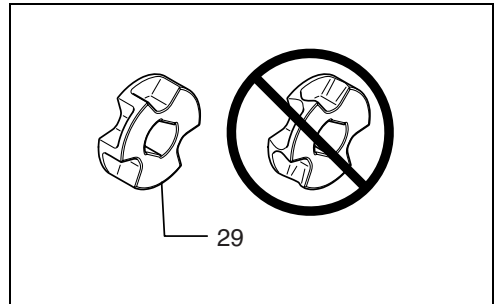
39



40



41



42

# ENGLISH

## Parts supplied

- |                     |                     |                               |
|---------------------|---------------------|-------------------------------|
| 1. Rear handle      | 6. Guide bar        | 11. Rear hand guard           |
| 2. Switch trigger   | 7. Saw chain        | 12. Serrated rail (claw stop) |
| 3. Oil filter cap   | 8. Lever            | 13. Lock-off button           |
| 4. Front handle     | 9. Sprocket cover   | 14. Chain catcher             |
| 5. Front hand guard | 10. Oil level sight | 15. Scabbard                  |

## Explanation of general view

- |                    |                    |                             |
|--------------------|--------------------|-----------------------------|
| 1. Lock-off button | 11. Tighten        | 21. Sight glass             |
| 2. Switch trigger  | 12. Lever          | 22. Serrated rail           |
| 3. Press in        | 13. Low            | 23. Felling area            |
| 4. Loosen          | 14. High           | 24. Oil guide groove        |
| 5. Sprocket cover  | 15. Guide bar      | 25. Oil feed hole           |
| 6. Adjusting dial  | 16. Saw chain      | 26. Push nut                |
| 7. Adjusting pin   | 17. Oil filler cap | 27. Slotted bit screwdriver |
| 8. Hook            | 18. Hand guard     | 28. Filter                  |
| 9. Hole            | 19. Lock           | 29. Sprocket                |
| 10. Small hole     | 20. Unlock         |                             |

## SPECIFICATIONS

Model		UC3020A	UC3520A	UC4020A
Max. chain speed (m/s)		13.3		
Cutting length		300 mm	350 mm	400 mm
Saw chain	Type	90SG		
	Pitch	3/8"		
Acoustic power level L <sub>WA</sub> av dB (A) to EN 50144 -1 <sup>1)</sup>		105.3		
Sound pressure level L <sub>pA</sub> av dB (A) at the workplace to EN 50144 -1 <sup>1)</sup>		92.3		
Vibration acceleration a <sub>h,w</sub> av to ISO 50144-2-13 <sup>1)</sup> - Front handle m/s <sup>2</sup>		3.4		3.9
- Rear handle m/s <sup>2</sup>		4.0		4.5
Oil pump		Automatic		
Oil tank capacity (l)		0.20		
Power transmission		Direct		
Chain brake		Manual		
Run-down brake		Mechanical		
Overall length (without guide bar)		436 mm		
Net weight		3.8 kg		
Extension cable (optional)		DIN 57282/HO 7RN -F L=30 m max., 3 x 1.5 mm <sup>2</sup>		


1) The data assign equal weight to the full-load and maximum speed operating conditions.

- Due to our continuing program of research and development, the specifications herein are subject to change without notice.
- Note: Specifications may differ from country to country.


### Symbols


END218-1

The following show the symbols used for the tool. Be sure that you understand their meaning before use.








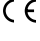

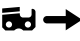



 ..... Read instruction manual and follow the warnings and safety instructions.

 ..... DOUBLE INSULATION

 ..... Caution: particular care and attention required!

 ..... Caution: withdraw the mains plug immediately if the cable is damaged!



-  ..... Caution: kickback!
-  ..... Protect against rain and damp!
-  ..... Wear a helmet, goggles and ear protection!
-  ..... Wear safety gloves!
-  ..... Withdraw the mains plug!
-  ..... First aid
-  ..... Recycling
-  ..... CE marking
-  ..... Maximum permissible length of cut
-  ..... Direction of chain travel
-  ..... Chain oil
-  ..... Chain brake released/applied
-  ..... Prohibited!

### Intended use

The tool is intended for cutting lumbers and logs.

### Power supply

The tool should be connected only to a power supply of the same voltage as indicated on the nameplate, and can only be operated on single-phase AC supply. They are double-insulated in accordance with European Standard and can, therefore, also be used from sockets without earth wire.

### For public low-voltage distribution systems of between 220 V and 250 V.

Switching operations of electric apparatus cause voltage fluctuations. The operation of this device under unfavorable mains conditions can have adverse effects to the operation of other equipment. With a mains impedance equal or less than 0.35 Ohms it can be presumed that there will be no negative effects. The mains socket used for this device must be protected with a fuse or protective circuit breaker having slow tripping characteristics.

## ADDITIONAL SAFETY RULES

ENB098-1

1. Read the instruction manual in order to familiarize yourself with operation of the chain saw.
2. Before using the chain saw for the first time, arrange to have instruction in its operation. If this is not possible, at least practice cutting round timber on a trestle before beginning work.
3. The chain saw must not be used by children or young persons under 18 years of age. Young persons over 16 years of age may be exempted from

this restriction if they are undergoing training under the supervision of an expert.

4. Working with the chain saw requires a high level of concentration. Do not work with the saw if you are not feeling fit and well. Carry out all work calmly and carefully.
5. Never work under the influence of alcohol, drugs or medication.


### Proper use

1. The chain saw is intended solely for cutting wood. Do not use it for example to cut plastic or porous concrete.
2. Only use the chain saw for operations described in this instruction manual. Do not, for example, use it to trim hedges or for similar purposes.
3. The chain saw must not be used for forestry work, i.e. for felling and limbing standing timber. The chain saw cable does not provide the operator with the mobility and safety required for such work.
4. The chain saw is not intended for commercial use.
5. Do not overload the chain saw.


### Personal protective equipment

1. Clothing must be close-fitting, but must not obstruct mobility.
2. Wear the following protective clothing during work:
  - A tested safety helmet, if a hazard is presented by falling branches or similar;
  - A face mask or goggles;
  - Suitable ear protection (ear muffs, custom or mouldable ear plugs). Octave brand analysis upon request.
  - Firm leather safety gloves;
  - Long trousers manufactured from strong fabric;
  - Protective dungarees of cut-resistant fabric;
  - Safety shoes or boots with non-slip soles, steel toes, and cut-resistant fabric lining;
  - A breathing mask, when carrying out work which produces dust (e.g. sawing dry wood).

### Protection against electric shock

-  ..... The chain saw must not be used in wet weather or damp environments, as the electric motor is not waterproof.

1. Only plug the saw into earthed sockets in tested electrical circuits. Check that the system voltage matches that on the rating plate. Ensure that a 16 A line fuse is fitted. Saws used in the open air must be connected to a residual current-operated circuit-breaker with an operating current no higher than 30 mA.

-  ..... Should the connecting cable be damaged, withdraw the mains plug immediately.

### Safe working practices

1. Before starting work, check that the chain saw is in proper working order and that its condition

**complies with the safety regulations. Check in particular that:**

- The chain brake is working properly;
- The run-down brake is working properly;
- The bar and the sprocket cover are fitted correctly;
- The chain has been sharpened and tensioned in accordance with the regulations;
- The mains cable and mains plug are undamaged;

Refer to the "CHECKS" section.

2. Always ensure in particular that the extension cable used is of adequate cross-section (see "SPECIFICATIONS"). When using a cable reel, wind the cable completely off the reel. When using the saw in the open air, ensure that the cable employed is intended for open-air use and is rated accordingly.
3. Do not operate the chain saw in the vicinity of flammable dust or gases, as the motor generates sparks and presents a risk of explosion.
4. Work only on firm ground and with a good footing. Pay particular attention to obstacles (e.g. the cable) in the working area. Take particular care where moisture, ice, snow, freshly cut wood or bark may make surfaces slippery. Do not stand on ladders or trees when using the saw.
5. Take particular care when working on sloping ground; rolling trunks and branches pose a potential hazard.
6. Never cut above shoulder height. (Fig. 1)
7. Hold the chain saw with both hands when switching it on and using it. Hold the rear handle with your right hand and the front handle with your left. Hold the handles firmly with your thumbs. The bar and the chain must not be in contact with any objects when the saw is switched on.
8. Clean the area to be cut of foreign objects such as sand, stones, nails, wire, etc. Foreign objects damage the bar and chain, and can lead to dangerous kickback.
9. Take particular care when cutting in the vicinity of wire fences. Do not cut into the fence, as the saw may kick back.
10. Do not cut into the ground.
11. Cut pieces of wood singly, not in bunches or stacks.
12. Avoid using the saw to cut thin branches and roots, as these can become entangled in the chain saw. Loss of balance presents a hazard.
13. Use a secure support (trestle) when cutting sawn timber.
14. Do not use the chain saw to prise off or brush away **pieces of wood and other objects**.
15. Guide the chain saw such that no part of your body is within the **extended path of the saw chain**. (Fig. 2)
16. When moving around between sawing operations, apply the chain brake in order to prevent the chain from being operated unintentionally. Hold the chain saw by the front handle when carrying it, and do not keep your finger on the switch. Withdraw the mains plug when taking breaks or leaving the chain saw unattended. Leave the chain saw where it cannot present a hazard.

17. Withdraw the mains plug when taking breaks or leaving the chain saw unattended. Leave the chain saw where it cannot present a hazard.

## Kickback

1. Hazardous kickback may arise during work with the chain saw. Kickback arises when the tip of the bar (in particular the upper quarter) comes into contact with wood or another solid object. This causes the chain saw to be deflected in the direction of the operator. (Fig. 3)
2. In order to avoid kickback, observe the following:
  - Never begin the cut with the tip of the bar.
  - Never use the tip of the bar for cutting. Take particular care when resuming cuts which have already been started.
  - Start the cut with the chain running.
  - Always sharpen the chain correctly. In particular, set the depth gauge to the correct height (refer to "Sharpening the chain" for details).
  - Never saw through several branches at a time.
  - When limbing, take care to prevent the bar from coming into contact with other branches.
  - When bucking, keep clear of adjacent trunks. Always observe the bar tip.
  - Use a trestle.

## Safety features

1. Always check that the safety features are in working order before starting work. Do not use the chain saw if the safety features are not working properly.
- **Chain brake:**

The chain saw is fitted with a chain brake which brings the saw chain to a standstill within a fraction of a second. It is activated when the hand guard is pushed forwards. The saw chain then stops within 0.15 s, and the power supply to the motor is interrupted.
  - **Run-down brake: (Fig. 4)**

The chain saw is equipped with an run down brake which brings the saw chain to an immediate stop when the ON/OFF switch is released. This prevents the saw chain from running on when switched off, and thus presenting a hazard.

    - The **front and rear hand guards** protect the user against injury from pieces of wood which may be thrown backwards, or a broken saw chain.
    - The trigger lockout prevents the chain saw from being switched on accidentally.
    - The **chain catcher** protects the user against injury should the chain jump or break.

## Transport and storage



..... When the chain saw is not in use or is being transported, withdraw the mains plug and fit the scabbard supplied with the saw. Never carry or transport the saw with the saw chain running.

1. Carry the chain saw by the front handle only, with the bar pointing backwards.

2. Keep the chain saw in a secure, dry and locked room out of the reach of children. Do not store the chain saw outdoors.

## Maintenance

1. Withdraw the plug from the socket before carrying out any adjustments or maintenance.
2. Check the power cable regularly for damage to the insulation.
3. Clean the chain saw regularly.
4. Have any damage to the plastic housing repaired properly and immediately.
5. Do not use the saw if the switch trigger is not working properly. Have it properly prepared.
6. Under no circumstances should any modifications be made to the chain saw. Your safety is at risk.
7. Do not carry out maintenance or repair work other than that described in this instruction manual. Any other work must be carried out by MAKITA Service.
8. Only use original MAKITA replacement parts and accessories intended for your model of saw. The use of other parts increases the risk of accident.
9. MAKITA accepts no responsibility for accidents or damage should non-approved bars, saw chains or other replacement parts or accessories be used. Refer to the "Extract from the spare parts list" for approved saw bars and chains.

## First aid



..... Do not work alone. Always work within shouting distance of a second person.

1. Always keep a first-aid box to hand. Replace any items taken from it immediately.
2. Should you request assistance in the event of an accident, state the following:
  - Where did the accident happen?
  - What happened?
  - How many persons are injured?
  - What injuries do they have?
  - Who is reporting the accident?

### NOTE:

Individuals with poor circulation who are exposed to excessive vibration may experience injury to blood vessels or the nervous system.

Vibration may cause the following symptoms to occur in the fingers, hands or wrists: "Falling asleep" (numbness), tingling, pain, stabbing sensation, alteration of skin colour or of the skin.

**If any of these symptoms occur, see a physician!**

## SAVE THESE INSTRUCTIONS

## FUNCTIONAL DESCRIPTION

### CAUTION:

- Always be sure that the tool is switched off and unplugged before adjusting or checking function on the tool.

## Switch action (Fig. 5)

### CAUTION:

- Before plugging in the tool, always check to see that the switch trigger actuates properly and returns to the "OFF" position when released.

To prevent the switch trigger from being accidentally pulled, a lock-off button is provided.

To start the tool, depress the lock-off button and pull the switch trigger.

Release the switch trigger to stop.

## ASSEMBLY

### CAUTION:

- Always be sure that the tool is switched off and unplugged before carrying out any work on the tool.

## Installing or removing saw chain

### CAUTION:

- Always be sure that the tool is switched off and unplugged before installing or removing the saw chain.
- Always wear gloves when installing or removing the saw chain.

1. To remove the saw chain, move the lever in the upright position. (Fig. 6)
2. Press the lever and with the lever pressed in, turn it counterclockwise to loosen the nut until sprocket cover comes off. (Pressing in the lever leads to the fitting of lever into the nut.)
3. Turn the adjusting dial counterclockwise to release the saw chain tension.
4. Remove the sprocket cover.
5. Remove the saw chain and guide bar from the chain saw.
6. To install the saw chain, fit in one end of the saw chain on the top of the guide bar and the other end of it around the sprocket. (Fig. 7)

At this time, fit the saw chain as shown in the figure because it rotates in the direction of arrow.

7. Rest the guide bar in place on the chain saw.
8. Turn the adjusting dial counterclockwise to slide the adjusting pin in the direction of arrow. (Fig. 8)
9. Place the sprocket cover on the chain saw so that the hook at its back cover is inserted into a hole in the chain saw and the adjusting pin is positioned in a small hole in the guide bar. (Fig. 9)
10. Press in the lever and with the lever depressed turn it fully clockwise to tighten the nut. Then make it about a quarter turn counterclockwise to loosen the nut lightly. (Fig. 10)

## Adjusting saw chain tension

The saw chain may become loose after many hours of use. From time to time check the saw chain tension before use.

Move the lever in the upright position. (Fig. 11)

Press in the lever. With the lever depressed, make a quarter turn on it counterclockwise to loosen the nut lightly.

(Pressing in the lever leads to the fitting of lever into the nut.) (Fig. 12)

Turn the adjusting dial to adjust saw chain tension. Grasp the saw chain in the middle of the guide bar and lift up. The gap between the guide bar and the tie strap of the saw chain should be approx. 2 - 4 mm. If the gap is not approx. 2 - 4 mm, slightly turn the adjusting dial which secures the guide bar. At this time, adjust with the tip of guide bar slightly pointing up. (Fig. 13)

With the lever depressed, turn it fully clockwise to tighten the nut firmly. (Fig. 14)

Return the lever to its original position. (Fig. 15)

#### **CAUTION:**

- Excessively high tension of saw chain may cause breakage of saw chain, wear of the guide bar and breakage of the adjusting dial.
- Installing or removing saw chain should be carried out in a clean place free from sawdust and the like.

## **OPERATION**

### **Lubrication**

#### **CAUTION:**

- Always be sure that the tool is switched off and unplugged before lubricating the saw chain.

Lubricate the saw chain and bar using a biologically degradable saw chain oil with an adhesion agent. The adhesion agent in the saw chain oil prevents the oil from being thrown off the saw excessively quickly. Mineral oils must not be used, as they are harmful to the environment. (Fig. 16)

#### **CAUTION:**

- Prevent the oil from coming into contact with the skin and eyes. Contact with the eyes causes irritation. In the event of eye contact, flush the affected eye immediately with clear water, then consult a doctor at once.
- Never use waste oil. Waste oil contains carcinogenic substances. The contaminants in waste oil cause accelerated wear of the oil pump, the bar and the chain. Waste oil is harmful to the environment.
- When filling the chain saw with chain oil for the first time, or refilling the tank after it has been completely emptied, add oil up to the bottom edge of the filler neck. The oil delivery may otherwise be impaired.

Clean the area around the oil filler cap shown in the figure thoroughly to prevent any dirt from entering the oil tank. (Fig. 17)

Unscrew the oil filler cap and add oil up to the lower edge of the filler neck.

Screw the oil filler cap firmly back in place.

Wipe away any spilt chain oil carefully.

When the chain saw is used for the first time, it may take up to two minutes for the saw chain oil to begin its lubricating effect upon the saw mechanism. Run the saw without load until it does so (see "CHECKS").

The tank capacity (200 ml) is sufficient for approximately 30 minutes' use.

## **CHECKS**

Before starting work, carry out the following checks:

### **Checking the chain tension (Fig. 18)**

#### **WARNING:**

- Always withdraw the mains plug before checking the chain tension, and wear safety gloves.

The saw chain is correctly tensioned when it is in contact with the underside of the bar and can be raised approximately 2 - 4 mm from the bar by light finger pressure.

Check the chain tension frequently, as new chains are subject to elongation. A chain which is too slack can jump off the bar, and therefore presents an accident risk.

If the chain is too slack: Refer to the section titled "Adjusting saw chain tension" and adjust the saw chain tension again.

### **Checking the switch action**

#### **CAUTION:**

Always unplug the tool before testing the switch trigger. Locking the switch trigger in the ON position is prohibited. It must not be possible to depress the switch trigger unless the lock-off button is first depressed.

The switch trigger must not jam in the depressed position. When released, the switch trigger must return automatically to the OFF position, and the lock-off button must return to its original position. (Fig. 19)

### **Checking the chain brake**

#### **NOTE:**

- If the chain saw fails to start, the chain brake must be released. Pull the hand guard backwards firmly until you feel it engage.

Hold the chain saw with both hands when switching it on. Hold the rear handle with your right hand, the front handle with your left. The bar and the chain must not be in contact with any object.

First press the lock-off button, then the switch trigger. The saw chain starts immediately.

Press the hand guard forwards using the back of your hand. The saw chain must come to an immediate standstill. (Fig. 20)

#### **CAUTION:**

- Should the saw chain not stop immediately when this test is performed, the saw may not be used under any circumstances. Consult a MAKITA specialist repair shop.

### **Checking the run-down brake**

Switch on the chain saw.

Release the switch trigger completely. The saw chain must come to a standstill within one second.

#### **CAUTION:**

- Should the saw chain not come to a stop within one second when this test is performed, the saw must not be used. Consult a MAKITA specialist repair shop.

### Checking the chain oiler (Fig. 21)

Before starting work, check the oil level in the tank, and the oil delivery.

The oil level can be seen in the sight glass shown in the figure.

Check the oil delivery as follows:

Start the chain saw.

With the saw running, hold the saw chain approximately 15 cm above a tree trunk or the ground. If lubrication is adequate, the oil spray will produce a light oil trace.

Observe the wind direction, and do not expose yourself to the oil spray unnecessarily.

#### CAUTION:

- If an oil trace is not formed, do not use the saw. The lifespan of the chain will otherwise be reduced. Check the oil level. Clean the oil feed groove and the oil feed hole in the bar (refer to "MAINTENANCE").

## WORKING WITH THE CHAIN SAW

### Bucking

For bucking cuts, rest the serrated rail shown in the figure on the wood to be cut. (Fig. 22)

With the saw chain running, saw into the wood, using the rear handle to raise the saw and the front one to guide it. Use the serrated rail as a pivot.

Continue the cut by applying slight pressure to the front handle, easing the saw back slightly. Move the serrated rail further down the timber and raise the front handle again.

When making several cuts, switch the chain saw off between cuts.

#### CAUTION:

- If the upper edge of the bar is used for cutting, the chain saw may be deflected in your direction if the chain becomes trapped. For this reason, cut with the lower edge, so that the saw will be deflected away from your body. (Fig. 23)

Cut wood under tension on the pressure side (A) first. Then make the final cut on the tension side (B). This prevents the bar from becoming trapped. (Fig. 24)

### Limbing

#### CAUTION:

- Limbing may only be performed by trained persons. A hazard is presented by the risk of kick-back.

When limbing, support the chain saw on the trunk if possible. Do not cut with the tip of the bar, as this presents a risk of kickback.

Pay particular attention to branches under tension. Do not cut unsupported branches from below.

Do not stand on the felled trunk when limbing.

### Burrowing and parallel-to-grain cuts

#### CAUTION:

- Burrowing and parallel-to-grain cuts may only be carried out by persons with special training. The possibility of kickback presents a risk of injury.

Perform parallel-to-grain cuts at as shallow an angle as possible. Carry out the cut as carefully as possible, as the serrated rail cannot be used. (Fig. 25)

### Felling

#### CAUTION:

- Felling work may only be performed by trained persons. The work is hazardous.

Observe local regulations if you wish to fell a tree.

#### (Fig. 26)

- Before starting felling work, ensure that:
  - (1) Only persons involved in the felling operation are in the vicinity;
  - (2) Any person involved has an unhindered path of retreat through a range of approximately 45 ° either side of the felling axis. Consider the additional risk of tripping over electrical cables;
  - (3) The base of the trunk is free of foreign objects, roots and ranches;
  - (4) No persons or objects are present over a distance of 2 1/2 tree lengths in the direction in which the tree will fall.
- Consider the following with respect to each tree:
  - Direction of lean;
  - Loose or dry branches;
  - Height of the tree;
  - Natural overhang;
  - Whether or not the tree is rotten.
- Consider the wind speed and direction. Do not carry out felling work if the wind is gusting strongly.
- Trimming of root swellings: Begin with the largest swellings. Make the vertical cut first, then the horizontal cut. (Fig. 27)
- Cut a scarf: The scarf determines the direction in which the tree will fall, and guides it. It is made on the side towards which the tree is to fall. Cut the scarf as close to the ground as possible. First make the horizontal cut to a depth of 1/5 -1/3 of the trunk diameter. Do not make the scarf too large. Then make the diagonal cut.
- Cut any corrections to the scarf across its entire width. (Fig. 28)
- Make the back cut a little higher than the base cut of the scarf. The back cut must be exactly horizontal. Leave approximately 1/10 of the trunk diameter between the back cut and the scarf. The wood fibers in the uncut trunk portion act as a hinge. Do not cut right through the fibers under any circumstances, as the tree will otherwise fall unchecked. Insert wedges into the scarf in time.
- Only plastic or aluminum wedges may be used to keep the scarf open. The use of iron wedges is prohibited.
- Stand to the side of the falling tree. Keep an area clear to the rear of the falling tree up to an angle of 45 ° either side of the tree axis (refer to the "felling area" figure). Pay attention to falling branches.

# MAINTENANCE

## CAUTION:

- Always be sure that the tool is switched off and unplugged before attempting to perform inspection or maintenance.
- Always wear gloves when performing any inspection or maintenance.

Carry out the maintenance work described below at regular intervals. Warranty claims will be accepted only if these operations have been performed regularly and properly.

Only maintenance work described in this instruction manual may be performed by the user. Any other work must be carried out by a MAKITA specialist repair shop.

## Cleaning the chain saw

Clean the saw regularly with a clean rag. The handles, in particular, must be kept free of oil.

## Checking the plastic housing

Carry out regular visual inspections of all parts of the housing. Should any parts be damaged, have them repaired immediately and properly in a MAKITA specialist repair shop.

## Sharpening the saw chain

### CAUTION:

- Always withdraw the mains plug and wear safety gloves when performing work on the saw chain. (Fig. 29)

### Sharpen the saw chain when:

- Mealy sawdust is produced when damp wood is cut;
- The chain penetrates the wood with difficulty, even when heavy pressure is applied;
- The cutting edge is obviously damaged;
- The saw pulls to the left or right in the wood. The reason for this behaviour is uneven sharpening of the saw chain, or damage to one side only.

### Sharpen the saw chain frequently, but remove only a little material each time.

Two or three strokes with a file are usually sufficient for routine resharpening.

When the saw chain has been resharpened several times, have it sharpened in a MAKITA specialist repair shop.

### Sharpening criteria:

- All cutters must be of equal length (dimension a). Cutters of differing length prevent the chain from running smoothly, and may cause the chain to break.
- Do not sharpen the chain once a minimum cutter length of 3 mm has been reached. A new chain must then be fitted.
- The chip thickness is determined by the distance between the depth gauge (round nose) and the cutting edge. The best cutting results are obtained with a distance of 0.5 mm between cutting edge and depth gauge. (Fig. 30)

### WARNING:

- An excessive distance increases the risk of kick-back.

- The sharpening angle of 30 ° distance must be the same on all cutters. Differences in angle cause the chain to run roughly and unevenly, accelerate wear, and lead to chain breaks.
- The side plate angle of the cutter of 80 ° is determined by the depth of penetration of the round file. If the specified file is used properly, the correct side plate angle is produced automatically. (Fig. 31)

### File and file guiding (Fig. 32 - 34)

- Use a special round file (optional accessory) for saw chains, with a diameter of 4.5 mm, to sharpen the chain. Normal round files are not suitable.
- The file should only engage the material on the forward stroke. Lift the file off the material on the return stroke.
- Sharpen the shortest cutter first. The length of this cutter is then the gauge dimension for all other cutters on the saw chain.
- Guide the file as shown in the figure. The file can be guided more easily if a file holder (optional accessory) is employed. The file holder has markings for the correct sharpening angle of 30 ° (align the markings parallel to the saw chain) and limits the depth of penetration (to 4/5 of the file diameter).
- After sharpening the chain, check the height of the depth gauge using the chain gauge tool (optional accessory).
- Remove any projecting material, however small, with a special flat file (optional accessory).
- Round off the front of the depth gauge again.

## Cleaning the guide bar and lubricating the return sprocket

### CAUTION:

- Always wear safety gloves for this task. Burrs present a risk of injury. (Fig. 35)

Check the running surfaces of the bar regularly for damage. Clean using a suitable tool, and remove burrs if necessary.

If the chain saw receives frequent use, lubricate the return sprocket bearing at least once a week. Before adding new fresh grease, carefully clean the 2 mm hole on the tip of the guide bar, then force a small quantity of multi-purpose grease (optional accessory) into the hole.

## Cleaning the oil guide (Fig. 36)

- Clean the oil guide groove and the oil feed hole in the bar at regular intervals.

## Cleaning the oil filter at the oil discharge hole

Small dust or particles may be built up in the oil filter at the oil discharge hole during operation.

Small dust or particles built up in the oil filter may impair the oil discharge flow and cause an insufficient lubrication on the whole saw chain.

When a poor chain oil delivery occurs at the top of guide bar, clean the filter as follows.

Unplug the tool from the mains.

Remove the sprocket cover and saw chain from the tool. (Refer to the section titled "Installing or removing saw chain".)

Remove the push nut using a slotted bit screwdriver with a slender shaft or the like. (Fig. 37)

Take the filter out of the chain saw and remove small dust or particles from it.

When the filter is too dirty, replace it with a new one.

Plug in the tool. (Fig. 38)

Pull the switch trigger to flow built-up dust or particles off the oil discharge hole by discharging chain oil.

Unplug the tool from the mains. (Fig. 39)

Insert the cleaned oil filter into the oil discharge hole. When the filter is too dirty, replace it with a new one. (Fig. 40)

Insert the push nut with its correct side facing up as shown in the figure into the oil discharge hole to secure the filter. When the filter cannot be secured with a disfigured push nut, replace the push nut with a new one.

- Reinstall the sprocket cover and saw chain on the tool. (Fig. 41)

## New saw chains

Use two or three saw chains alternately, so that the saw chain, sprocket and running surfaces of the bar wear evenly.

Turn the bar over when changing the chain so that the bar groove wears evenly.

### CAUTION:

- Only use chains and bars which are approved for this model of saw (refer to "SPECIFICATIONS"). (Fig. 42)

Before fitting a new saw chain, check the condition of the sprocket.

### CAUTION:

- A worn sprocket will damage a new saw chain. Have the sprocket replaced in this case.

Always fit a new locking ring when replacing the sprocket.

## Maintaining the chain and run-down brakes

The braking systems are very important safety features. Like any other component of the chain saw, they are subject to a certain degree of wear. They must be inspected regularly by a MAKITA specialist repair shop. This measure is for your own safety.

## Storing tool

Biologically degradable saw chain oil can only be kept for a limited period.

Beyond two years after manufacture, biological oils begin to acquire an adhesive quality, and cause damage to the oil pump and components in the lubricating system.

- Before taking the chain saw out of service for a longer period, empty the oil tank and fill it with a small quantity of engine oil (SAE 30).

- Run the chain saw briefly to flush all residue of the biological oil out of the tank, lubricating system and saw mechanism.

**When the chain saw is taken out of service, small quantities of chain oil will leak from it for some time afterwards. This is normal, and is not a sign of a fault.**

Store the chain saw on a suitable surface.

Before returning the chain saw to service, fill up with fresh BIOTOP saw chain oil.

To maintain product SAFETY and RELIABILITY, repairs, any other maintenance or adjustment should be performed by Makita Authorized Service Centers, always using Makita replacement parts.

## ACCESSORIES

### CAUTION:

- These accessories or attachments are recommended for use with your Makita tool specified in this manual. The use of any other accessories or attachments might present a risk of injury to persons. Only use accessory or attachment for its stated purpose.

If you need any assistance for more details regarding these accessories, ask your local Makita Service Center.

- Saw chain
- Scabbard
- Guide bar complete
- Chain gauge
- Round file 4.5 mm
- Flat file
- File holder with 4.5 mm file
- File handle
- 1 l BIOTOP chainsaw oil
- 5 l BIOTOP chainsaw oil
- Multi-purpose grease
- Grease gun

# FRANÇAIS

## Pièces fournies

- |   |                              |  |
|---|------------------------------|--|
| 1. Poignée arrière                          | 6. Guide-chaîne              | 11. Carter de protection de la poignée arrière |
| 2. Gâchette                                 | 7. Chaîne                    | 12. Rail dentelé (butée à griffe)              |
| 3. Coiffe du filtre à huile                 | 8. Levier                    | 13. Bouton de sécurité                         |
| 4. Poignée avant                            | 9. Carter du pignon          | 14. Attrape-chaîne                             |
| 5. Carter de protection de la poignée avant | 10. Viseur du niveau d'huile | 15. Fourreau                                   |

## Descriptif

- |                       |                                     |                                |
|-----------------------|-------------------------------------|--------------------------------|
| 1. Bouton de sécurité | 11. Serrer                          | 21. Voyant                     |
| 2. Gâchette           | 12. Levier                          | 22. Rail dentelé               |
| 3. Enfoncer           | 13. Bas                             | 23. Zone d'abattage            |
| 4. Desserrer          | 14. Haut                            | 24. Rainure de guidage d'huile |
| 5. Carter du pignon   | 15. Guide-chaîne                    | 25. Orifice de débit d'huile   |
| 6. Cadran de réglage  | 16. Chaîne                          | 26. Écrou capuchon             |
| 7. Broche de réglage  | 17. Bouchon de remplissage d'huile  | 27. Tournevis à tête fendue    |
| 8. Crochet            | 18. Carter de protection de la main | 28. Filtre                     |
| 9. Orifice            | 19. Verrouillage                    | 29. Pignon                     |
| 10. Petit orifice     | 20. Déverrouillage                  |                                |

## SPÉCIFICATIONS

Modèle		UC3020A	UC3520A	UC4020A
Vitesse max. de la chaîne (m/s)		13,3		
Longueur de coupe		300 mm	350 mm	400 mm
Chaîne	Type	90SG		
	Hauteur	3/8"		
Niveau de puissance acoustique L WA av dB (A) selon EN 50144 -1 <sup>1)</sup>		105,3		
Niveau de pression sonore L pA av dB (A) en usine selon EN 50144 -1 <sup>1)</sup>		92,3		
Accélération d'oscillation à a h,w av selon ISO 50144-2-13 <sup>1)</sup> - Poignée avant m/s <sup>2</sup>		3,4		3,9
- Poignée arrière m/s <sup>2</sup>		2,9		4,5
Pompe à huile		Automatique		
Capacité du réservoir d'huile		0,20		
Transmission de puissance		Directe		
Frein de chaîne		Manuel		
Frein de mise hors tension		Mécanique		
Longueur totale (sans guide-chaîne)		436 mm		
Poids net		3,8 kg		
Cordon prolongateur (en option)		DIN 57282/HO 7RN -F L = 30 m max., 3 x 1,5 mm <sup>2</sup>		

1) Les données attribuent un même poids aux conditions de pleine charge et de fonctionnement à vitesse maximale.

• Étant donné l'évolution constante de notre programme de recherche et de développement, les spécifications contenues dans ce manuel sont sujettes à modification sans préavis.

• Note : Les spécifications peuvent varier d'un pays à l'autre.

### Symboles

Les symboles utilisés pour l'outil sont indiqués ci-dessous. Assurez-vous d'avoir bien compris leur signification avant d'utiliser l'outil.


END218-1





..... Veuillez lire le mode d'emploi et respecter les mises en garde et consignes de sécurité.







 ..... DOUBLE ISOLATION

 ..... Attention : la prudence et une attention particulière sont exigées !


 ..... Attention : débranchez immédiatement l'outil si son cordon est endommagé !


 ..... Attention : choc en retour !


 ..... Protégez l'outil contre la pluie et l'humidité !


 ..... Portez un casque protecteur, des lunettes de sécurité et des protections d'oreilles !


 ..... Portez des gants de travail !


 ..... Débranchez l'outil !

 ..... Premiers soins


 ..... Recyclage


 ..... Symbole CE

 ..... Longueur maximale de coupe permise

 ..... Sens de rotation de la chaîne

 ..... Huile à chaîne

 ..... Frein de chaîne libéré/engagé

 ..... Interdit !

## Utilisations

L'outil est conçu pour la coupe du petit bois d'œuvre et des rondins.

## Alimentation

L'outil ne devra être raccordé qu'à une alimentation de la même tension que celle qui figure sur la plaque signalétique, et il ne pourra fonctionner que sur un courant secteur monophasé. Réalisé avec une double isolation, il est conforme à la réglementation européenne et peut de ce fait être alimenté sans mise à la terre.

## Pour système d'alimentation électrique à basse tension, de 220 V à 250 V.

La mise sous/hors tension des appareils électriques entraîne des fluctuations de la tension. L'utilisation de cet appareil sur une source d'alimentation inadéquate peut affecter le fonctionnement d'autres appareils. On peut considérer qu'il n'aura pas d'effets négatifs si l'impédance de la source d'alimentation est égale ou inférieure à 0,35 Ohms. La prise de courant utilisée pour cet appareil doit être protégée par un fusible ou un disjoncteur de protection à déclenchement lent.

# CONSIGNES DE SÉCURITÉ ADDITIONNELLES

ENB098-1

1. **Veillez lire le mode d'emploi afin de vous familiariser avec le fonctionnement de la tronçonneuse.**
2. **Avant d'utiliser la tronçonneuse pour la première fois, demandez qu'on vous explique son fonctionnement. Si cela n'est pas possible, vous devez au moins vous entraîner en coupant des rondins sur un tréteau avant de commencer votre véritable travail.**
3. **La tronçonneuse ne doit pas être utilisée par les enfants ni les jeunes âgés de moins de 18 ans. Cette restriction ne s'applique pas aux jeunes de 16 ans ou plus ayant reçu une formation sous la supervision d'un spécialiste.**
4. **Le travail avec la tronçonneuse exige un haut niveau de concentration. N'utilisez pas la tronçonneuse si vous ne vous sentez pas parfaitement bien. Effectuez tout le travail de manière calme et prudente.**
5. **Ne travaillez jamais après avoir consommé de l'alcool, une drogue ou un médicament.**

## Utilisation adéquate

1. **La tronçonneuse est conçue exclusivement pour couper du bois. Il ne faut pas l'utiliser, par exemple, pour couper du plastique ou du béton poreux.**
2. **Utilisez la tronçonneuse exclusivement pour les opérations décrites dans ce mode d'emploi. Par exemple, ne l'utilisez pas pour la taille des haies ou pour des travaux similaires.**
3. **La tronçonneuse ne doit pas être utilisée pour les travaux forestiers tels que l'abattage et l'ébranchage. Le cordon de la tronçonneuse ne laisse pas à l'utilisateur la mobilité nécessaire à l'exécution de ce genre de travail en toute sécurité.**
4. **La tronçonneuse n'est pas conçue pour un usage industriel.**
5. **N'imposez pas une surcharge à la tronçonneuse.**

## Dispositifs de protection personnelle

1. **Les vêtements portés doivent être moulants, sans toutefois gêner les mouvements.**
2. **Portez les vêtements de protection suivants pendant l'exécution du travail :**
  - Un casque de sécurité homologué s'il y a des risques de chute de branches ou des risques similaires ;
  - Une visière ou des lunettes de sécurité ;
  - Des protections d'oreilles adéquates (protège-oreilles ou bouches-oreilles souples). Analysez par bande d'octave sur demande.
  - Des gants de travail en cuir rigide ;
  - Un pantalon fabriqué avec un matériau résistant ;
  - Un bleu de travail fabriqué avec un matériau résistant aux objets tranchants ;

- Des chaussures de sécurité ou des bottes à semelle antidérapante, bouts en acier et doublure en matériau résistant aux objets tranchants ;
- Un masque filtrant lorsque vous effectuez des travaux qui génèrent de la poussière (par exemple, le sciage de bois sec).

## Protection contre les chocs électriques



..... La tronçonneuse ne doit pas être utilisée par temps humide ni dans les endroits humides, puisque son moteur électrique n'est pas à l'épreuve de l'eau.

1. **Ne branchez la tronçonneuse que sur une prise de courant avec mise à la terre, sur un circuit électrique homologué. Assurez-vous que la tension du système d'alimentation correspond à celle indiquée sur la plaque signalétique. Assurez-vous de la présence d'un fusible 16 A. Les tronçonneuses utilisées à l'extérieur doivent être connectées à un disjoncteur de courant résiduel, avec un courant de fonctionnement ne dépassant pas 30 mA.**



..... Débranchez immédiatement l'outil si son cordon d'alimentation est endommagé.

## Habitudes de travail sûres

1. **Avant de commencer votre travail, assurez-vous que la tronçonneuse est en bon état de fonctionnement et conforme aux règlements de sécurité. Assurez-vous tout particulièrement que :**

- Le frein de chaîne fonctionne correctement ;
- Le frein de mise hors tension fonctionne correctement ;
- Le guide-chaîne et le carter du pignon sont correctement posés ;
- La chaîne a été affûtée et sa tension est conforme aux réglementations ;
- Le cordon d'alimentation et sa fiche ne sont pas endommagés ;

Reportez-vous à la section "VÉRIFICATIONS".

2. Assurez-vous toujours tout particulièrement que le cordon prolongateur utilisé a une section transversale adéquate (voir "SPÉCIFICATIONS"). Si vous utilisez un touret, déroulez complètement le cordon. Lorsque vous utilisez la tronçonneuse à l'extérieur, assurez-vous que le cordon utilisé est conçu pour l'extérieur et qu'il a les spécifications requises.
3. N'utilisez pas la tronçonneuse à proximité de poussières ou gaz inflammables, puisque le moteur génère des étincelles et qu'il y a un risque d'explosion.
4. Travaillez uniquement sur un sol rigide et avec une bonne prise au sol. Prêtez une attention particulière aux obstacles (par exemple le cordon d'alimentation) dans la zone de travail. Méfiez-vous tout particulièrement des surfaces rendues glissantes par l'humidité, la glace ou la neige, ou encore par le bois

- ou l'écorce fraîchement coupé(e). N'utilisez pas la tronçonneuse en montant sur une échelle ou un arbre.
5. Soyez particulièrement prudent lorsque vous travaillez sur une surface en pente, puisque les troncs et branches qui déboulent représentent un danger.
  6. Ne coupez jamais à une hauteur supérieure aux épaules. (Fig. 1)
  7. Tenez la tronçonneuse à deux mains au démarrage et pendant l'utilisation. Saisissez la poignée arrière avec votre main droite et la poignée avant avec votre main gauche. Utilisez vos pouces pour assurer une prise ferme sur les poignées. Le guide-chaîne et la chaîne ne doivent entrer en contact avec aucun au moment du démarrage de la tronçonneuse.
  8. Retirez de la partie à couper tout corps étranger tel que grains de sable, cailloux, clous, câbles, etc. Les corps étrangers endommageraient le guide-chaîne et la chaîne, et ils présentent un risque de dangereux choc en retour.
  9. Soyez tout particulièrement prudent lorsque vous coupez à proximité de clôtures métalliques. Évitez de couper dans la clôture, car la tronçonneuse pourrait provoquer un choc en retour.
  10. Ne coupez pas dans le sol.
  11. Coupez les pièces de bois une à une plutôt qu'en paquets ou en piles.
  12. Évitez d'utiliser la tronçonneuse pour couper les branches minces et les racines, car celles-ci risqueraient de se coincer dans la tronçonneuse. Toute perte d'équilibre comporte un danger.
  13. Utilisez un support (tréteau) solide lorsque vous coupez du petit bois d'œuvre.
  14. N'utilisez pas la tronçonneuse pour enlever ou balayer **les bouts de bois et autres objets.**
  15. Tenez la tronçonneuse de sorte qu'aucune partie de votre corps ne se trouve dans le **prolongement de la chaîne de sa chaîne.** (Fig. 2)
  16. Lorsque vous vous déplacez entre deux travaux de coupe, engagez le frein de chaîne pour éviter que cette dernière ne tourne accidentellement. Tenez la tronçonneuse par sa poignée avant pour la transporter, et ne placez pas le doigt sur l'interrupteur. Avant de faire une pause ou de laisser la tronçonneuse sans surveillance, débranchez-la. Déposez la tronçonneuse dans un endroit où elle ne constituera aucun danger.
  17. Avant de faire une pause ou de laisser la tronçonneuse sans surveillance, débranchez-la. Déposez la tronçonneuse dans un endroit où elle ne constituera pas un danger.

## Choc en retour


1. Un dangereux choc en retour peut se produire lors des travaux effectués avec la tronçonneuse. Les chocs en retour surviennent lorsque le bout du guide-chaîne (tout particulièrement le quart supérieur) entre en contact avec le bois ou autre objet solide. Cela a pour conséquence de faire rebondir la tronçonneuse vers l'utilisateur. (Fig. 3)
2. Prenez les précautions suivantes pour éviter les chocs en retour :

- Ne commencez jamais la coupe par le bout du guide-chaîne.
- N'utilisez jamais le bout du guide-chaîne pour couper. Soyez tout particulièrement prudent lorsque vous reprenez une coupe déjà entamée.
- Faites tourner la chaîne avant de commencer la coupe.
- Affûtez toujours la chaîne correctement. Tout particulièrement, réglez la jauge de profondeur sur la bonne hauteur (reportez-vous à "Affûtage de la chaîne" pour plus de détails).
- Ne coupez jamais plusieurs branches à la fois.
- Lors de l'ébranchage, prenez garde pour éviter que la guide-chaîne n'entre en contact avec d'autres branches que celle que vous êtes en train de couper.
- Lors du tronçonnage, gardez la tronçonneuse à l'écart des autres troncs adjacents à celui que vous êtes en train de couper. Ne perdez pas des yeux le bout du guide-chaîne.
- Utilisez un tréteau.

## Dispositifs de sécurité

1. Assurez-vous toujours que les dispositifs de sécurité sont en bon état de fonctionnement avant de commencer votre travail. N'utilisez pas la tronçonneuse si ses dispositifs de sécurité ne sont pas en bon état de fonctionnement.
- **Frein de chaîne :**  
La tronçonneuse est équipée d'un frein à chaîne qui immobilise cette dernière en une fraction de seconde. Il s'active lorsque vous poussez le carter de protection de la main vers l'avant. La chaîne de la tronçonneuse s'arrête alors en 0,15 sec., et l'alimentation du moteur est coupée.
  - **Frein de mise hors tension : (Fig. 4)**  
La tronçonneuse est équipée d'un frein de mise hors tension qui immobilise immédiatement la chaîne lorsque vous libérez l'interrupteur d'alimentation (ON/OFF). Cela empêche la chaîne de continuer de tourner après la mise hors tension de la tronçonneuse, évitant ainsi tout danger.
    - Les carters de protection des **poignées avant et arrière** protègent l'utilisateur contre les blessures que peuvent causer une pièce de bois projetée vers l'arrière ou le bris de la chaîne.
    - Le verrou de la gâchette prévient la mise sous tension accidentelle de la tronçonneuse.
    - **L'attrape-chaîne** protège l'utilisateur contre les blessures lorsque la chaîne déraile ou se casse.

## Transport et rangement

-  ..... Lorsque vous n'utilisez plus la tronçonneuse ou devez la transporter, débranchez-la et mettez-la dans le fourreau fourni. Ne déplacez ou transportez jamais la tronçonneuse alors que la chaîne tourne.

1. Transportez la tronçonneuse uniquement par la poignée avant, en pointant le guide-chaîne vers l'arrière.
2. Rangez la tronçonneuse dans une pièce sûre, sèche et verrouillée, hors de la portée des enfants. Ne rangez pas la tronçonneuse à l'extérieur.

## Maintenance

1. Débranchez l'outil avant d'effectuer tout travail de réglage ou de maintenance.
2. Vérifiez régulièrement le cordon d'alimentation pour vous assurer que sa gaine isolante n'est pas endommagée.
3. Nettoyez régulièrement la tronçonneuse.
4. Faites réparer le carter de plastique immédiatement si vous constatez qu'il est endommagé.
5. N'utilisez pas la tronçonneuse si sa gâchette ne fonctionne pas correctement. Faites-la réparer.
6. Toute modification de la tronçonneuse est interdite, quelles que soient les circonstances. Il en va de votre sécurité.
7. N'effectuez aucun travail de maintenance ou de réparation autre que ceux décrits dans ce mode d'emploi. Tout autre travail doit être effectué par le personnel de service après-vente MAKITA.
8. Utilisez exclusivement les pièces de rechange et accessoires MAKITA conçus pour votre modèle de tronçonneuse. L'utilisation d'autres pièces accroît les risques d'accident.
9. MAKITA décline toute responsabilité quant aux accidents ou dommages dans le cas de l'utilisation d'un guide-chaîne, d'une chaîne, d'une pièce de rechange ou d'un accessoire non homologué. Concernant les guide-chaînes et les chaînes homologués, reportez-vous à "Liste partielle des pièces de rechange".

## Premiers secours



..... Ne travaillez jamais seul. Travaillez toujours à portée de voix d'une autre personne.

1. Gardez toujours une trousse de premiers soins à portée de la main. Remplacez immédiatement par un neuf tout élément de la trousse utilisé.
2. Pour demander de l'aide en cas d'accident, spécifiez ce qui suit :
  - Où l'accident s'est-il produit ?
  - Que s'est-il passé ?
  - Combien y a-t-il de blessés ?
  - Quelles sont les blessures ?
  - Qui fait rapport de l'accident ?

### NOTE :

Les personnes souffrant de troubles circulatoires peuvent subir des blessures aux vaisseaux sanguins ou au système nerveux si elles sont exposées à des vibrations excessives.

Les vibrations peuvent entraîner les symptômes suivants aux doigts, mains ou poignets : engourdissement, picotements, douleur, sensation lancinante, changement de couleur de la peau ou altération de la peau.

Si l'un ou l'autre de ces symptômes apparaît, consultez un médecin !

## CONSERVEZ CES INSTRUCTIONS

### DESCRIPTION DU FONCTIONNEMENT

#### ATTENTION :

- Assurez-vous toujours que l'outil est hors tension et débranché avant de l'ajuster ou de vérifier son fonctionnement.

#### Interrupteur (Fig. 5)

##### ATTENTION :

- Avant de brancher l'outil, vérifiez toujours que la gâchette fonctionne correctement et revient en position d'arrêt (« OFF ») lorsque libérée.

Pour éviter tout déclenchement accidentel de la gâchette, l'outil est muni d'un bouton de sécurité.

Pour démarrer l'outil, enfoncez le bouton de sécurité puis appuyez sur la gâchette.

Pour l'arrêter, relâchez la gâchette.

## ASSEMBLAGE

#### ATTENTION :

- Avant d'effectuer toute intervention sur l'outil, assurez-vous toujours qu'il est hors tension et débranché.

### Installation et retrait de la chaîne

#### ATTENTION :

- Assurez-vous toujours que l'outil est hors tension et débranché avant d'installer ou retirer la chaîne.
  - Portez toujours des gants pour installer ou retirer la chaîne.
- Pour retirer la chaîne, mettez le levier en position droite. (Fig. 6)
  - Enfoncez le levier et, en le maintenant enfoncé, tournez-le dans le sens inverse des aiguilles d'une montre pour desserrer l'écrou jusqu'à ce que le carter du pignon se détache. (Le levier s'aligne dans l'écrou lorsque vous l'enfoncez.)
  - Tournez le cadran de réglage dans le sens inverse des aiguilles d'une montre pour libérer la tension de la chaîne.
  - Retirez le carter du pignon.
  - Retirez la chaîne et le guide-chaîne de la tronçonneuse.
  - Pour installer la chaîne, placez une de ses extrémités sur la partie supérieure du guide-chaîne et l'autre extrémité autour du pignon. (Fig. 7)

Placez alors la chaîne comme indiqué sur l'illustration, puisqu'elle tourne dans le sens de la flèche.

- Laissez le guide-chaîne en place sur la chaîne.
- Tournez le cadran de réglage dans le sens inverse des aiguilles d'une montre pour glisser la broche de réglage dans le sens de la flèche. (Fig. 8)

- Posez le carter du pignon sur la tronçonneuse de sorte que le crochet du carter arrière pénètre dans l'orifice de la tronçonneuse et que la broche de réglage se trouve dans le petit orifice du guide-chaîne. (Fig. 9)
- Enfoncez le levier et, tout en le maintenant enfoncé, tournez-le complètement dans le sens des aiguilles d'une montre pour serrer l'écrou. Tournez-le ensuite d'environ un quart de tour dans le sens inverse des aiguilles d'une montre pour desserrer légèrement l'écrou. (Fig. 10)

### Réglage de la tension de la chaîne

Il se peut que la chaîne se desserre après plusieurs heures d'utilisation. De temps à autre, vérifiez la tension de la chaîne avant l'utilisation.

Mettez le levier en position droite. (Fig. 11)

Enfoncez le levier. Tout en maintenant le levier enfoncé, faites-lui faire un quart de tour dans le sens inverse des aiguilles d'une montre pour desserrer légèrement l'écrou. (Le levier s'aligne dans l'écrou lorsque vous l'enfoncez.) (Fig. 12)

Tournez le cadran de réglage pour régler la tension de la chaîne. Saisissez la chaîne au milieu du guide-chaîne et soulevez-la. Il doit y avoir un jeu de 2 à 4 mm entre le guide-chaîne et la courroie d'attache de la chaîne. Si le jeu n'est pas de 2 à 4 mm, tournez légèrement le cadran de réglage qui retient le guide-chaîne. Faites alors le réglage tout en pointant légèrement le bout du guide-chaîne vers le haut. (Fig. 13)

Avec le levier enfoncé, tournez-le complètement dans le sens des aiguilles d'une montre pour serrer l'écrou fermement. (Fig. 14)

Remettez le levier sur sa position initiale. (Fig. 15)

#### ATTENTION :

- Une tension excessive de la chaîne risque de causer son bris, d'user le guide-chaîne et de casser le cadran de réglage.
- L'installation ou le retrait de la chaîne doit être effectué dans un endroit propre, exempt de poussières, etc.

## UTILISATION

### Lubrification

#### ATTENTION :

- Assurez-vous toujours que l'outil est hors tension et débranché avant de lubrifier la chaîne de la tronçonneuse.

Pour lubrifier la chaîne et le guide-chaîne, utilisez de l'huile à chaîne biodégradable avec agent adhésif. L'agent adhésif de l'huile à chaîne empêche l'éjection trop rapide de l'huile de la tronçonneuse. Les huiles minérales sont à éviter, car elles sont nocives pour l'environnement. (Fig. 16)

#### ATTENTION :

- Évitez que l'huile n'entre en contact avec votre peau ou vos yeux. Le contact avec les yeux cause de l'irritation. En cas de contact avec les yeux, rincez

immédiatement l'œil atteint à l'eau claire, puis consultez un médecin sans tarder.

- N'utilisez jamais d'huile usagée. L'huile usagée contient des produits cancérigènes. Les contaminants que contient l'huile usagée causeraient l'usure rapide de la pompe à huile, du guide-chaîne et de la chaîne. L'huile usagée est nocive pour l'environnement.
- La première fois que vous faites le plein d'huile dans la tronçonneuse ou lorsque vous refaites le plein une fois le réservoir complètement vide, versez de l'huile jusqu'au bord inférieur du goulot de remplissage. Autrement l'alimentation en huile risque d'être insuffisante.

Nettoyez soigneusement le tour du bouchon de remplissage d'huile indiqué sur l'illustration, pour éviter que la poussière ne pénètre dans le réservoir d'huile.

#### (Fig. 17)

Dévissez le bouchon de remplissage d'huile et versez de l'huile jusqu'au bord inférieur du goulot de remplissage.

Remettez le bouchon de remplissage d'huile en place en le vissant fermement.

Essayez soigneusement toute trace d'huile renversée.

Lors de la première utilisation de la tronçonneuse, l'effet lubrifiant de l'huile à chaîne peut mettre jusqu'à deux minutes pour atteindre le mécanisme de la tronçonneuse. Faites tourner la tronçonneuse à vide jusqu'à ce que la lubrification soit complète (voir « VÉRIFICATIONS »).

La capacité du réservoir (200 ml) offre une autonomie d'environ 30 minutes d'utilisation.

## VÉRIFICATIONS

Avant de commencer votre travail, procédez aux vérifications suivantes :

### Vérification de la tension de la chaîne (Fig.18)

#### AVERTISSEMENT :

- Débranchez toujours l'outil avant de vérifier la tension, et portez des gants de travail.

La chaîne est correctement tendue lorsqu'elle entre en contact avec le côté inférieur du guide-chaîne et peut être soulevée d'environ 2 à 4 mm par rapport à ce dernier par une légère pression du doigt.

Vérifiez régulièrement la tension de la chaîne, car les chaînes neuves ont tendance à s'allonger. Une chaîne trop lâche risque de dérailler du guide-chaîne et constitue ainsi un risque d'accident.

Si la chaîne est trop lâche : Reportez-vous à la section intitulée « Réglage de la tension de la chaîne » et réglez à nouveau sa tension.

### Vérification du fonctionnement de l'interrupteur

#### ATTENTION :

Débranchez toujours l'outil avant de vérifier la gâchette. Il est interdit de verrouiller la gâchette en position de marche (ON). La gâchette ne doit pouvoir être enfoncée que si le bouton de sécurité a d'abord été enfoncé.

La gâchette ne doit pas se coincer en position enfoncée.

Lorsque relâchée, la gâchette doit retourner d'elle-même

en position d'arrêt (OFF) et le bouton de sécurité doit retourner en position initiale. (Fig. 19)

### Vérification du frein de chaîne

#### NOTE :

- Si la tronçonneuse ne démarre pas, il faut libérer le frein de chaîne. Tirez fermement le protecteur de main vers l'arrière, jusqu'à ce que vous sentiez qu'il est engagé.

Tenez la tronçonneuse à deux mains pour la faire démarrer. Saisissez la poignée arrière avec votre main droite et la poignée avant avec votre main gauche. Le guide-chaîne et la chaîne ne doivent entrer en contact avec aucun objet.

Appuyez d'abord sur le bouton de sécurité, puis sur la gâchette. La chaîne de la tronçonneuse démarre immédiatement.

Poussez le protecteur de main vers l'avant avec le revers de la main. La chaîne doit s'immobiliser immédiatement.

#### (Fig. 20)

#### ATTENTION :

- Si la chaîne ne s'immobilise pas immédiatement lors de ce test, vous ne devez utiliser la tronçonneuse en aucune circonstance. Informez-vous auprès d'un atelier de réparation agréé MAKITA.

### Vérification du frein de mise hors tension

Démarrez la tronçonneuse.

Relâchez complètement la gâchette. La chaîne de la tronçonneuse doit s'immobiliser en moins d'une seconde.

#### ATTENTION :

- Si la chaîne ne s'immobilise pas en moins d'une seconde lors de ce test, vous ne devez pas utiliser la tronçonneuse. Informez-vous auprès d'un atelier de réparation agréé MAKITA.

### Vérification du niveau de la chaîne (Fig. 21)

Avant de commencer le travail, vérifiez le niveau d'huile dans le réservoir, ainsi que l'alimentation en huile.

Le niveau d'huile est visible dans le viseur indiqué sur l'illustration.

Procédez comme suit pour vérifier l'alimentation en huile :

Démarrez la tronçonneuse.

Alors que la tronçonneuse tourne, placez sa chaîne à environ 15 cm au-dessus d'un tronc d'arbre ou du sol. Si la lubrification est adéquate, le jet d'huile produira une légère trace d'huile. Tenez compte de la direction du vent pour éviter de vous exposer inutilement au jet d'huile.

#### ATTENTION :

- En l'absence de trace d'huile, n'utilisez pas la tronçonneuse. Autrement, la durée de vie de la chaîne sera réduite. Vérifiez le niveau d'huile. Nettoyez la rainure d'alimentation en huile et l'orifice d'alimentation en huile dans le guide-chaîne (reportez-vous à « MAINTENANCE »).

## UTILISATION DE LA TRONÇONNEUSE

### Tronçonnage

Pour le tronçonnage, posez le rail dentelé (indiqué sur l'illustration) sur la pièce de bois à couper. (Fig. 22)

En faisant d'abord tourner la chaîne, sciez la pièce de bois en utilisant la poignée arrière pour soulever la tronçonneuse et la poignée avant pour la guider. Utilisez le rail dentelé en guise de pivot.

Poursuivez la coupe en appliquant une légère pression sur la poignée avant et en retirant légèrement la tronçonneuse à l'arrière. Déplacez le rail dentelé plus bas sur le rondin, et soulevez à nouveau la poignée avant.

Lorsque vous effectuez plusieurs coupes, mettez la tronçonneuse hors tension entre chacune d'elles.

#### ATTENTION :

- Si le bord supérieur du guide-chaîne est utilisé pour la coupe, la tronçonneuse risque de rebondir dans votre direction si la chaîne se coince. Pour cette raison, vous devez couper avec le bord inférieur, de sorte que la tronçonneuse rebondisse en s'éloignant de votre corps. (Fig. 23)

Coupez d'abord le bois par le côté soumis à une pression (A). Passez ensuite à la coupe finale sur le côté soumis à une tension (B). Cela évitera que le guide-chaîne ne se coince. (Fig. 24)

## Ébranchage

#### ATTENTION :

- L'ébranchage doit être exécuté par des personnes ayant reçu une formation. Les risques de choc en retour constituent un danger.

Pour l'ébranchage, appuyez si possible la tronçonneuse contre le tronc. Ne coupez pas avec le bout du guide-chaîne, car il y a risque de choc en retour.

Prêtez une attention particulière aux branches soumises à une tension. Ne coupez pas par le dessous les branches sans soutien.

Ne montez pas sur le tronc abattu pour l'ébrancher.

## Évidage et coupes dans le sens du grain

#### ATTENTION :

- L'évidage et les coupes dans le sens du grain ne doivent être exécutés que par des personnes ayant reçu une formation. Il y a risque de choc en retour et de blessure.

Effectuez les coupes dans le sens du grain avec l'angle le plus faible possible. Comme le rail dentelé ne peut pas être utilisé, vous devez procéder à la coupe avec la plus grande prudence possible. (Fig. 25)

## Abattage

#### ATTENTION :

- Les travaux d'abattage doivent être exécutés par des personnes ayant reçu une formation. Il s'agit d'un travail dangereux.

Si vous désirez abattre un arbre, respectez les réglementations locales. (Fig. 26)

- Avant d'abattre l'arbre, assurez-vous que :
  - (1) Seules les personnes participant à l'abattage se trouvent dans la zone d'abattage ;
  - (2) Toute personne impliquée dans le travail d'abattage doit s'assurer d'une voie de retraite sur une plage d'environ 45 ° chaque côté de l'axe

d'abattage de l'arbre. Tenez également compte des risques de trébuchage sur des câbles électriques.

- (3) La base du tronc doit être exempte de corps étrangers, racines et branches ;
  - (4) Il ne doit y avoir aucune personne ni aucun objet sur une distance égale à 2,5 fois la longueur de l'arbre dans le sens où sa chute est prévue.
- Pour chaque arbre, tenez compte des éléments suivants :
    - Le sens d'abattage ;
    - La présence de branches détachées ou sèches ;
    - La hauteur de l'arbre ;
    - La présence d'un surplomb naturel ;
    - La pourriture ou non de l'arbre.
  - Tenez compte de la vitesse et de la direction du vent. N'effectuez pas de travaux d'abattage si le vent soufflé en fortes rafales.
  - Éboutage des pattes de la racine : Commencez par les plus grosses pattes de la racine. Procédez d'abord à la coupe verticale, puis à la coupe horizontale. (Fig. 27)
  - Pratiquez une entaille : L'entaille détermine le sens dans lequel l'arbre tombera et elle l'entraîne dans ce sens. Elle se trouve du côté vers lequel l'arbre doit tomber. Pratiquez l'entaille le plus près du sol possible. Coupez d'abord à l'horizontale sur une profondeur allant du 1/5 au 1/3 du diamètre du tronc. L'entaille ne doit pas être trop large. Passez ensuite à la coupe en diagonale.
  - Les corrections apportées à l'entaille doivent l'être sur toute sa largeur. (Fig. 28)
  - Pratiquez le trait d'abattage un peu plus haut que la semelle de l'entaille. Le trait d'abattage doit être parfaitement horizontal. Laissez environ 1/10 du diamètre du tronc entre le trait d'abattage et l'entaille. Les fibres de la partie non coupée remplissent un rôle de charnières. Ne coupez ces fibres dans aucune circonstance, car l'arbre tomberait alors en chute libre. Insérez des chevilles dans l'entaille au moment opportun.
  - Pour maintenir l'entaille ouverte, utilisez exclusivement des chevilles en plastique ou en aluminium. Il ne faut pas utiliser de chevilles en fer.
  - Tenez-vous à côté de l'arbre à abattre, pas devant ni derrière par rapport à la direction d'abattage. Assurez-vous qu'il y a une aire bien dégagée derrière l'arbre, sur un angle de 45° par rapport à l'axe de l'arbre (reportez-vous à la figure "zone d'abattage"). Prenez garde aux chutes de branches.

## MAINTENANCE

#### ATTENTION :

- Assurez-vous toujours que l'outil est hors tension et débranché avant d'y effectuer tout travail d'inspection ou de maintenance.
- Portez toujours des gants pour effectuer tout travail d'inspection ou de maintenance.

Effectuez régulièrement les travaux de maintenance décrits ci-dessous. Les demandes d'application de la garantie ne seront acceptées que si les opérations

suyvantes ont été effectuées régulièrement et de manière adéquate.

L'utilisateur n'est autorisé à effectuer que les travaux de maintenance décrits dans ce mode d'emploi. Tout autre travail doit être effectué par un atelier de réparation agréé MAKITA.

## Nettoyage de la tronçonneuse

Nettoyez régulièrement la tronçonneuse avec un chiffon propre. Les poignées, en particulier, doivent toujours être exemptes d'huile.

## Vérification du revêtement de plastique

Inspectez visuellement toutes les pièces du carter de plastique régulièrement. En cas de dommage sur l'une ou l'autre des pièces, faites-la réparer immédiatement par un atelier de réparation agréé MAKITA.

## Affûtage de la chaîne

### ATTENTION :

- Débranchez toujours l'outil et portez des gants de travail avant d'effectuer tout travail sur la chaîne. (Fig. 29)

### Affûtez la chaîne lorsque :

- Une poussière farineuse est produite lors de la coupe du bois humide ;
- La chaîne pénètre avec difficulté dans le bois, même si vous appliquez une forte pression ;
- La face de coupe est de toute évidence endommagée ;
- La tronçonneuse tire vers la gauche ou la droite dans le bois. Cela est dû à un mauvais affûtage de la chaîne ou au fait qu'elle est endommagée d'un côté seulement.

### Affûtez la chaîne souvent, en ne retirant qu'une faible quantité de matériau chaque fois.

Pour un affûtage de routine, deux ou trois passes avec une lime suffisent généralement.

Après plusieurs affûtages de la chaîne, faites-la affûter par un atelier de réparation agréé MAKITA.

### Critères d'affûtage :

- Toutes les arêtes doivent être d'égale longueur (dimension a). La chaîne ne tournera pas en douceur et elle risque de se casser si les arêtes sont de longueur inégale.
- N'affûtez pas la chaîne lorsque la longueur minimale des arêtes, 3 mm, est atteinte. Il faut alors installer une chaîne neuve.
- L'épaisseur de plaquette est déterminée par la distance entre la jauge de profondeur (nez rond) et la face de coupe. Les meilleurs résultats de coupe sont obtenus avec une distance de 0,5 mm entre la face de coupe et la jauge de profondeur. (Fig. 30)

### AVERTISSEMENT :

- Une distance trop grande entraîne une augmentation des risques de choc en retour.
- L'angle d'affûtage, d'une distance de 30°, doit être le même sur toutes les arêtes. La chaîne risque de tourner de manière saccadée et inégale, de s'user rapidement et de casser si les angles sont différents.

- L'angle d'attaque latérale des arêtes, 80°, est déterminé par la profondeur de pénétration de la lime ronde. Si la lime spécifiée est utilisée correctement, le bon angle d'attaque latérale sera naturellement obtenu. (Fig. 31)

### La lime et le guidage de la lime(Fig. 32 à 34)

- Pour affûter la lame, utilisez une lime ronde conçue spécialement (accessoire en option) pour les tronçonneuses avec un diamètre de 4,5 mm. Il est préférable de ne pas utiliser une lime ronde ordinaire.
- La lime ne doit être pénétrer le matériau que dans son mouvement vers l'avant. Soulevez la lime pour qu'elle ne touche pas le matériau dans son mouvement de retour.
- Affûtez d'abord la plus courte arête. La longueur de cette arête servira de référence pour l'affûtage des autres arêtes de la chaîne.
- Guidez la lime de la façon indiquée sur la figure. Il sera plus facile de guider la lime si vous utilisez le porte-lime (accessoire en option).
- Le porte-lime possède des indications pour le réglage correct de l'angle d'affûtage sur 30° (alignez les indications parallèlement à la chaîne), et il limite la profondeur de pénétration (jusqu'au 4/5 du diamètre de la lime).
- Après l'affûtage de la chaîne, vérifiez la hauteur de la jauge de profondeur au moyen de l'outil pour jauge de chaîne (accessoire en option).
- Retirez toute partie saillante au moyen d'une lime plate spécialement conçue à cet effet (accessoire en option).
- Arrondissez à nouveau la partie avant de la jauge de profondeur.

## Nettoyage du guide-chaîne et lubrification du pignon de retour

### ATTENTION :

- Portez toujours des gants de travail pour effectuer cette tâche. Les bavures peuvent causer des blessures. (Fig. 35)

Vérifiez régulièrement l'absence de dommages sur les surfaces mobiles du guide-chaîne. Utilisez un outil adéquat pour le nettoyage, et retirez les bavures si nécessaire.

Si la tronçonneuse est utilisée souvent, lubrifiez au moins une fois par semaine l'engrenage du pignon de retour. Avant d'ajouter de la graisse neuve, nettoyez soigneusement l'orifice de 2 mm qui se trouve au bout du guide-chaîne, puis poussez une petite quantité de graisse à multiples usages (accessoire en option) dans l'orifice.

## Nettoyage du guidage d'huile (Fig. 36)

- Nettoyez régulièrement la rainure d'alimentation en huile et l'orifice d'alimentation en huile dans le guide-chaîne.

## Nettoyage du filtre à air et de l'orifice de vidange d'huile

Des poussières ou petites particules peuvent s'accumuler dans le filtre à huile de l'orifice de vidange d'huile pendant l'utilisation.

Les poussières ou petites particules accumulées dans le filtre à huile peuvent causer une lubrification insuffisante de la chaîne de tronçonneuse.

Lorsque l'alimentation en huile ne s'effectue pas correctement sur la partie supérieure du guide-chaîne, nettoyez le filtre en procédant comme suit.

Débranchez l'outil.

Retirez le carter du pignon et la chaîne de la tronçonneuse. (Reportez-vous à la section intitulée "Installation et retrait de la chaîne".)

Retirez l'écrou capuchon à l'aide d'un tournevis à tête fendue et à tige mince, ou d'un objet similaire. (Fig. 37)

Retirez le filtre de la tronçonneuse et retirez toutes les poussières ou petites particules.

Si le filtre est trop sale, remplacez-le par un neuf.

Branchez l'outil. (Fig. 38)

Appuyez sur la gâchette pour faire une vidange d'huile et faire sortir les poussières et petites particules accumulées dans l'orifice de vidange d'huile.

Débranchez l'outil. (Fig. 39)

Insérez le filtre à huile nettoyé dans l'orifice de vidange d'huile. Si le filtre est trop sale, remplacez-le par un neuf. (Fig. 40)

Insérez l'écrou capuchon dans l'orifice de vidange d'huile pour fixer le filtre, en plaçant le bon côté de l'écrou capuchon vers le haut, tel qu'indiqué sur la figure. Si l'écrou capuchon est déformé et que vous n'arrivez pas à fixer le filtre, remplacez-le par un écrou capuchon neuf.

Remettez en place le carter du pignon et la chaîne de la tronçonneuse. (Fig. 41)

## Chaînes neuves

Utilisez de deux ou trois chaînes de façon alternée, de sorte que la chaîne, le pignon et les surfaces mobiles du guide-chaîne s'usent de manière égale.

Retournez le guide-chaîne lorsque vous remplacez la chaîne, pour favoriser l'usure égale des rainures du guide-chaîne.

### ATTENTION :

- Utilisez exclusivement des chaînes et guide-chaînes approuvés pour ce modèle de tronçonneuse (reportez-vous à "SPÉCIFICATIONS"). (Fig. 42)

Avant de poser une chaîne neuve, vérifiez l'état du pignon.

### ATTENTION :

- Un pignon usé endommagera la chaîne neuve. Remplacez le pignon s'il est usé.

Lorsque vous remplacez le pignon, posez toujours un anneau de verrouillage neuf.

## Maintenance de la chaîne et du frein de mise hors tension

Les dispositifs de frein remplissent une fonction très importante pour la sécurité. Comme tout autre composant de la tronçonneuse, ils sont sujets à une certaine usure. Ils doivent faire l'objet d'inspections régulières dans un

atelier de réparation agréé MAKITA. Cette mesure a pour but d'assurer votre propre sécurité.

## Rangement de l'outil

L'huile à chaîne biodégradable ne peut se conserver que pour une période limitée.

Deux ans après leur fabrication, les huiles biologiques deviennent adhésives et entraînent des dommages sur la pompe à huile et les pièces du dispositif de lubrification.

- Si vous prévoyez laisser la tronçonneuse inutilisée pour une période plus longue, videz le réservoir d'huile et versez-y une petite quantité d'huile à moteur (SAE 30).
- Faites tourner la tronçonneuse un court instant pour éliminer les résidus d'huile biologique du réservoir, du dispositif de lubrification et du mécanisme de la tronçonneuse.

### De petites quantités d'huile coulent pendant un certain temps après l'utilisation de la tronçonneuse. Cela est normal et n'indique aucun dysfonctionnement.

Rangez la tronçonneuse sur une surface adéquate.

Avant d'envoyer la tronçonneuse pour la faire réparer, remplissez-la d'huile à chaîne BIOTOP fraîche.

Pour assurer la SÉCURITÉ et la FIABILITÉ du produit, toute réparation et tout travail d'entretien ou de réglage doivent être effectués par un Centre de service après-vente agréé Makita, avec des pièces de rechange Makita.

## ACCESSOIRES

### ATTENTION :

- Ces accessoires ou pièces complémentaires sont recommandés pour l'utilisation avec l'outil Makita spécifié dans ce manuel. L'utilisation de tout autre accessoire ou pièce supplémentaire peut comporter un risque de blessure. Utilisez uniquement l'accessoire ou la pièce supplémentaire dans le but spécifié.

Si vous désirez obtenir plus de détails concernant ces accessoires, veuillez contacter le centre de service après-vente Makita le plus près.

- Chaîne
- Fourreau
- Guide-chaîne complet
- Jauge de chaîne
- Lime ronde 4,5 mm
- Lime plate
- Porte-lime avec lime de 4,5 mm
- Poignée de lime
- Huile à tronçonneuse 1 | BIOTOP
- Huile à tronçonneuse 5 | BIOTOP
- Graisse à multiples usages
- Pistolet graisseur



# DEUTSCH

## Lieferumfang

- |                        |                     |                                    |
|------------------------|---------------------|------------------------------------|
| 1. Hinterer Handgriff  | 6. Führungsschiene  | 11. Hinterer Handschutz            |
| 2. Ein/Aus-Schalter    | 7. Sägekette        | 12. Zackenleiste (Krallenanschlag) |
| 3. Ölfilterdeckel      | 8. Hebel            | 13. Entsperrungstaste              |
| 4. Vorderer Handgriff  | 9. Kettenradschutz  | 14. Kettenfangbolzen               |
| 5. Vorderer Handschutz | 10. Ölstandsanzeige | 15. Schienenschutz                 |

## Erklärung der Gesamtdarstellung

- |                      |                      |                             |
|----------------------|----------------------|-----------------------------|
| 1. Entsperrungstaste | 11. Festschrauben    | 21. Sichtfenster            |
| 2. Ein/Aus-Schalter  | 12. Hebel            | 22. Zackenleiste            |
| 3. Herunterdrücken   | 13. Niedrig          | 23. Fällbereich             |
| 4. Lösen             | 14. Hoch             | 24. Ölführungsnut           |
| 5. Kettenradschutz   | 15. Führungsschiene  | 25. Öleintrittsbohrung      |
| 6. Einstellrad       | 16. Sägekette        | 26. Spannmutter             |
| 7. Spannstift        | 17. Öltankverschluss | 27. Schlitz-Schraubendreher |
| 8. Haken             | 18. Handschutz       | 28. Filter                  |
| 9. Loch              | 19. Verriegeln       | 29. Kettenrad               |
| 10. Kleines Loch     | 20. Entriegeln       |                             |

## TECHNISCHE ANGABEN

Modell		UC3020A	UC3520A	UC4020A
Max. Kettengeschwindigkeit (m/s)		13,3		
Schnittlänge		300 mm	350 mm	400 mm
Sägekette	Typ	90SG		
	Kettenteilung	3/8"		
Schalleistungspegel L <sub>WA</sub> av dB (A) nach EN 50144 - 1 <sup>1)</sup>		105,3		
Schalldruckpegel L <sub>pA</sub> av dB (A) am Arbeitsplatz nach EN 50144 - 1 <sup>1)</sup>		92,3		
Schwingbeschleunigung a <sub>h,w</sub> av nach ISO 50144-2-13 <sup>1)</sup> - Vorderer Griff m/s <sup>2</sup>		3,4		3,9
- Hinterer Griff m/s <sup>2</sup>		4,0		4,5
Ölpumpe		automatisch		
Öltankvolumen (l)		0,20		
Kraftübertragung		direkt		
Kettenbremse		Auslösung manuell		
Auslaufbremse		mechanisch		
Gesamtlänge (ohne Führungsschiene)		436 mm		
Nettogewicht		3,8 kg		
Verlängerungskabel (optional)		DIN 57282/HO 7RN -F L=30 m max., 3x1,5 mm <sup>2</sup>		

1) Daten berücksichtigen die Betriebszustände Vollast und Höchstdrehzahl zu gleichen Teilen.

- Aufgrund unserer fortschreitenden Forschungen und Entwicklungen sind Änderungen an den hier wiedergegebenen Angaben ohne Vorankündigung vorbehalten.
- Hinweis: Die Angaben können sich je nach Land unterscheiden.

### Symbole

Im Folgenden sind die Symbole dargestellt, die im Zusammenhang mit dem Werkzeug verwendet werden. Es ist wichtig, dass Sie deren Bedeutung vor dem Einsatz des Werkzeugs kennen.


END218-1





..... Bitte lesen Sie die Betriebsanleitung und befolgen Sie die Warnungen und Sicherheitshinweise.




..... DOPPELT SCHUTZISOLIERT


 ..... Achtung: Besondere Vorsicht und Aufmerksamkeit!


 ..... Achtung: Bei beschädigtem Kabel sofort Netzstecker ziehen!


 ..... Achtung: Rückschlag!


 ..... Vor Regen und Nässe schützen!


 ..... Helm, Augen- und Gehörschutz tragen!

 ..... Schutzhandschuhe tragen!

 ..... Netzstecker ziehen!


 ..... Erste Hilfe


 ..... Recycling

 ..... CE-Kennzeichnung

 ..... Maximal zulässige Schnittlänge

 ..... Laufrichtung der Sägekette

 ..... Sägekettenöl

 ..... Kettenbremse gelöst/aktiviert

 ..... Verboten!

### Vorgesehene Verwendung

Das Werkzeug wurde für das Schneiden von Bauholz und Baustämmen entwickelt.

### Stromversorgung

Das Gerät darf nur an Stromquellen mit der auf dem Typenschild angegebenen Spannung und einphasigem Wechselstrom betrieben werden. Aufgrund der Doppelisolierung nach europäischem Standard kann es auch an Steckdosen ohne Erdungskabel betrieben werden.

### Für öffentliche Niederspannungs-Versorgungssysteme mit einer Spannung zwischen 220 V und 250 V.

Schaltvorgänge von Elektrogeräten verursachen Spannungsschwankungen. Der Betrieb dieses Gerätes unter ungünstigen Netzstrombedingungen kann sich nachteilig auf den Betrieb anderer Geräte auswirken. Bei einer Netzstromimpedanz von 0,35 Ohm oder weniger ist anzunehmen, dass keine negativen Effekte auftreten. Die für dieses Gerät verwendete Netzsteckdose muss durch

eine Sicherung oder einen Schutzschalter mit trägen Auslöseigenschaften geschützt sein.

## ZUSÄTZLICHE SICHERHEITSREGELN

ENB098-1

1. Lesen Sie diese Betriebsanleitung, um sich mit der Handhabung der Kettensäge vertraut zu machen.
2. Vor der ersten Inbetriebnahme der Kettensäge sollten Sie sich deren Arbeitsweise erklären lassen. Falls das nicht möglich ist, üben Sie vor Beginn der Arbeit zumindest das Ablängen von Rundholz auf einem Sägebock.
3. Kinder und Jugendliche unter 18 Jahren dürfen die Kettensäge nicht bedienen. Jugendliche über 16 Jahren sind von diesem Verbot ausgenommen, wenn Sie zum Zwecke der Ausbildung unter Aufsicht eines Fachkundigen stehen.
4. Das Arbeiten mit der Kettensäge erfordert ein hohes Maß an Aufmerksamkeit. Nur in guter körperlicher Verfassung arbeiten. Führen Sie alle Arbeiten ruhig und sorgfältig aus.
5. Arbeiten Sie niemals unter Einfluss von Alkohol, Drogen oder Medikamenten.

### Bestimmungsgemäßer Gebrauch

1. Die Kettensäge wurde eigens für das Sägen von Holz entwickelt. Verwenden Sie sie beispielsweise nicht zum Sägen von Kunststoff oder porösem Beton.
2. Verwenden Sie die Kettensäge nur für Arbeiten, die in dieser Betriebsanleitung beschrieben sind. Verwenden Sie sie zum Beispiel nicht zum Heckenschnneiden oder Ähnlichem.
3. Die Kettensäge darf nicht für Forstarbeiten, d. h. zum Fällen und Entasten von Nutzholz verwendet werden. Die Kabelverbindung gewährleistet dem Bediener nicht die notwendige Beweglichkeit und Sicherheit, die für diese Arbeiten erforderlich ist.
4. Die Kettensäge ist nicht für den gewerblichen Gebrauch bestimmt.
5. Die Kettensäge nicht überlasten.

### Persönliche Schutzausrüstung

1. Die Kleidung muss eng anliegen, darf jedoch nicht die Bewegungsfreiheit einschränken.
2. Tragen Sie bei der Arbeit folgende Schutzkleidung:
  - einen geprüften Schutzhelm,
  - wenn mit herabfallenden Ästen oder Ähnlichem zu rechnen ist;
  - Einen Gesichts- oder Augenschutz; Geeigneten Gehörschutz (Gehörschutzkapseln, maßgeschneiderte oder formbare Gehörschutzstöpsel),
  - Oktavbandanalyse auf Anfrage;
  - Schutzhandschuhe aus festem Leder;
  - eine lange Hose aus festem Stoff;
  - eine Sicherheits-Latzhose mit Schnitenschutz;

- Sicherheitsschuhe oder -stiefel mit rutschfesten Sohlen,
- Stahlkappen und schnittfestem Futter,
- eine Atemmaske für Arbeiten mit Staubentwicklung (z. B. Sägen von trockenem Holz).

## Schutz vor elektrischem Schlag



..... Die Kettensäge darf nicht bei nassem Wetter oder in feuchter Umgebung verwendet werden, da der Elektromotor nicht wasserdicht ist.

1. **Schließen Sie die Säge nur an eine geerdete Steckdose mit geprüfter Installation an. Prüfen Sie, ob die Netzspannung den Angaben auf dem Typenschild entspricht. Stellen Sie sicher, dass eine 16 A Vorsicherung eingebaut ist. Sägen, die im Freien verwendet werden, müssen über einen Fehlerstrom-Schutzschalter mit maximal 30 mA Auslösestrom ans Netz angeschlossen werden.**



..... Sollte das Anschlusskabel beschädigt sein, ziehen Sie sofort den Netzstecker.

## Sicheres Arbeiten

1. **Vor Arbeitsbeginn sicherstellen, dass die Kettensäge einwandfrei funktioniert und deren Zustand den Sicherheitsbestimmungen entspricht. Stellen Sie insbesondere sicher, dass:**
  - die Kettenbremse ordnungsgemäß funktioniert,
  - die Auslaufbremse ordnungsgemäß funktioniert,
  - die Sägeschiene und der Kettenradschutz ordnungsgemäß angebracht sind,
  - die Kette vorschriftsgemäß geschärft und gespannt ist,
  - das Netzkabel und der Netzstecker nicht beschädigt sind;

Siehe Abschnitt "PRÜFUNGEN".

2. Stellen Sie insbesondere stets sicher, dass das verwendete Verlängerungskabel einen entsprechenden Durchmesser hat (siehe "TECHNISCHE DATEN"). Bei Verwendung einer Kabelrolle sollte das Kabel vollständig abgewickelt werden. Wenn Sie die Säge im Freien verwenden, stellen Sie sicher, dass das verwendete Kabel für den Einsatz im Freien zugelassen und entsprechend gekennzeichnet ist.
3. Kettensäge nicht in der Nähe von entzündlichem Staub oder Gasen betreiben, da der Motor Funken erzeugt. Explosionsgefahr!
4. Arbeiten Sie nur auf stabilem Untergrund und achten Sie dabei auf sicheren Stand. Achten Sie besonders auf Hindernisse (z. B. das Kabel) im Arbeitsbereich. Seien Sie besonders vorsichtig bei Glätte durch Nässe, Eis, Schnee, frisch geschnittenes Holz oder frisch geschälte Rinde. Nicht auf Leitern oder Bäumen mit der Säge arbeiten.
5. Seien Sie besonders vorsichtig, wenn Sie in schrägem Gelände arbeiten, da heranrollende Baumstämme und Äste eine mögliche Gefahr darstellen.
6. Sägen Sie niemals über Schulterhöhe. **(Abb. 1)**

7. Halten Sie beim Einschalten und bei der Arbeit die Kettensäge mit beiden Händen fest. Halten Sie den hinteren Griff mit Ihrer rechten und den vorderen Griff mit Ihrer linken Hand fest. Umfassen Sie die Griffe fest mit Ihren Daumen. Die Sägeschiene und die Kette dürfen beim Einschalten der Säge keine Gegenstände berühren.
8. Säubern Sie den Schnittbereich von Fremdkörpern wie Sand, Steinen, Nägeln, Draht, etc. Fremdkörper beschädigen die Sägeschiene und Sägekette und können zum gefährlichen Rückschlag führen.
9. Seien Sie besonders vorsichtig, wenn Sie in der Nähe von Drahtzäunen sägen. Sägen Sie nicht in den Zaun, da sonst ein Rückschlagen der Säge möglich ist.
10. Sägen Sie niemals in den Untergrund.
11. Sägen Sie Holzstücke stets einzeln, niemals in Bündeln oder Stapeln.
12. Vermeiden Sie das Sägen von dünnen Ästen und Wurzeln, da sich diese in der Kettensäge verfangen können. Gefahr durch Verlust des Gleichgewichts.
13. Verwenden Sie beim Sägen von Schnittholz eine sichere Auflage (Sägebock).
14. Verwenden Sie die Kettensäge nicht zum Abhebeln oder Wegschaukeln von **Holzstücken und sonstigen Gegenständen**.
15. Kettensäge so führen, dass sich kein Körperteil im **verlängerten Schwenkbereich der Sägekette** befindet (siehe Abbildung). **(Abb. 2)**
16. Aktivieren Sie bei einem Standortwechsel während der Arbeit die Kettenbremse, um ein unbeabsichtigtes Anlaufen der Sägekette zu vermeiden. Tragen Sie die Kettensäge am vorderen Griff und halten Sie Ihren Finger nicht am Schalter.
17. Ziehen Sie den Netzstecker, wenn Sie eine Pause einlegen oder die Kettensäge unbeaufsichtigt lassen. Die Kettensäge ist so abzustellen, dass niemand gefährdet werden kann.

## Rückschlag

1. Beim Arbeiten mit der Kettensäge kann es zum gefährlichen Rückschlag kommen. Dieser Rückschlag entsteht, wenn die Schienenspitze (insbesondere das obere Viertel) mit Holz oder einem anderen festen Gegenstand in Berührung kommt. Dies führt dazu, dass die Kettensäge in Richtung des Bedieners ausschlägt. **(Abb. 3)**
2. Um einen Rückschlag zu vermeiden, beachten Sie Folgendes:
  - Setzen Sie niemals mit der Schienenspitze zum Schnitt an.
  - Sägen Sie niemals mit der Schienenspitze. Seien Sie besonders vorsichtig, wenn Sie bereits begonnene Schnitte fortsetzen.
  - Beginnen Sie den Schnitt mit laufender Sägekette.
  - Die Sägekette stets richtig schärfen. Dabei ist besonders auf die richtige Höhe des Tiefenanschlags zu achten (weitere Informationen siehe "Schärfen der Kette").
  - Niemals mehrere Äste auf einmal durchsägen.

- Achten Sie beim Entasten darauf, dass die Sägeschiene nicht mit anderen Ästen in Berührung kommt.
- Beim Ablängen von angrenzenden Baumstämmen fernhalten. Achten Sie stets auf die Schienenspitze.
- Verwenden Sie einen Sägebock.

5. Verwenden Sie die Säge nicht, wenn der Ein/Aus-Schalter nicht ordnungsgemäß funktioniert. Lassen Sie diesen fachgerecht reparieren.
6. Es dürfen unter keinen Umständen bauliche Veränderungen an der Kettensäge vorgenommen werden. Sie gefährden hierdurch Ihre Sicherheit.
7. Führen Sie ausschließlich die in dieser Betriebsanleitung beschriebenen Wartungs- oder Reparaturarbeiten durch. Alle darüber hinausgehenden Arbeiten müssen vom MAKITA Service durchgeführt werden.
8. Verwenden Sie nur Original MAKITA Ersatzteile und Zubehör, die für Ihr Sägenmodell bestimmt sind. Bei Verwendung von anderen Teilen besteht erhöhte Unfallgefahr.
9. MAKITA übernimmt keine Haftung für Unfälle oder Schäden, die durch den Einsatz von nicht zugelassenen Sägeschiene, Sägeketten, anderen Ersatzteilen oder Zubehör entstehen. Siehe "Auszug aus der Ersatzteilliste" für Informationen über zugelassene Sägeschiene und -ketten.

## Sicherheitseinrichtungen

1. Prüfen Sie vor Arbeitsbeginn immer die Funktionstüchtigkeit der Sicherheitseinrichtungen. Verwenden Sie die Kettensäge nicht, wenn die Sicherheitseinrichtungen nicht ordnungsgemäß funktionieren.
- **Kettenbremse:**  
Die Kettensäge ist mit einer Kettenbremse ausgerüstet, die im Bruchteil einer Sekunde die Sägekette zum Stillstand bringt. Sie wird ausgelöst, wenn der Handschutz nach vorne gedrückt wird. Die Sägekette stoppt innerhalb von 0,15 s, und die Stromzufuhr zum Motor wird unterbrochen.
  - **Auslaufbremse: (Abb. 4)**  
Die Säge ist mit einer Auslaufbremse ausgestattet. Sie bewirkt, dass nach dem Loslassen des EIN/AUS-Schalters die Sägekette unmittelbar zum Stillstand kommt. Dies verhindert das gefährliche Nachlaufen der Sägekette nach dem Ausschalten.
    - Der **vordere** und **hintere Handschutz** schützen den Bediener vor Verletzungen durch nach hinten geschleuderte Holzstücke oder durch eine gerissene Sägekette.
    - Die Schalterverriegelung verhindert ein unbeabsichtigtes Einschalten der Kettensäge.
    - Der **Kettenfangbolzen** schützt den Bediener vor Verletzungen, die durch eine abgesprungene oder gerissene Kette entstehen können.

## Erste Hilfe



..... Arbeiten Sie niemals alleine. Eine weitere Person sollte sich stets in Rufweite befinden.

1. Halten Sie immer einen Verbandskasten zur Hand. Füllen Sie entnommenes Material sofort wieder auf.
2. Wenn Sie bei einem Unfall Hilfe anfordern, geben Sie folgende Angaben durch:
  - Wo ist der Unfall passiert?
  - Was ist passiert?
  - Wie viele Verletzte gibt es?
  - Welche Verletzungen haben diese?
  - Wer meldet den Unfall?

### HINWEIS:

Werden Personen mit schlechter Durchblutung zu oft Vibrationen ausgesetzt, kann es zu Schädigungen an Blutgefäßen oder des Nervensystems kommen.

Folgende Symptome können durch Vibrationen an Fingern, Händen oder Handgelenken auftreten: Einschlafen der Körperteile (Benommenheit), Kribbeln, Schmerz, Stechen, Veränderung der Hautfarbe oder Haut.

**Falls eines dieser Symptome auftritt, suchen Sie einen Arzt auf!**

## BEWAHREN SIE DIESE SICHERHEITSHINWEISE SORGFÄLTIG AUF.

## FUNKTIONSBESCHREIBUNG

### ACHTUNG:

- Schalten Sie das Werkzeug stets aus und ziehen Sie den Stecker, bevor Sie Einstellungen oder eine Funktionsprüfung des Werkzeugs vornehmen.

## Transport und Aufbewahrung



..... Bei Nichtgebrauch oder zum Transport den Netzstecker ziehen und den mitgelieferten Schienenschutz aufsetzen. Niemals die Kettensäge mit laufender Sägekette tragen oder transportieren.

1. Tragen Sie die Kettensäge nur am vorderen Griff, so dass die Sägeschiene nach hinten zeigt.
2. Bewahren Sie die Kettensäge in einem sicheren, trockenen und abschließbaren Raum, außerhalb der Reichweite von Kindern, auf. Lagern Sie die Kettensäge nicht im Freien.

## Wartung

1. Ziehen Sie den Stecker aus der Steckdose, bevor Sie Einstellungen oder Wartungsarbeiten durchführen.
2. Überprüfen Sie das Stromkabel regelmäßig auf Beschädigungen der Isolierung.
3. Reinigen Sie die Kettensäge regelmäßig.
4. Bei Beschädigungen des Kunststoffgehäuses sofort eine fachgerechte Reparatur veranlassen.

## Bedienung des Schalters (Abb. 5)

### ACHTUNG:

- Achten Sie vor dem Einstecken des Werkzeugs darauf, dass sich der Ein/Aus-Schalter korrekt bedienen lässt und beim Loslassen auf die Position "OFF" (AUS) zurückkehrt.

Damit der Ein/Aus-Schalter nicht versehentlich betätigt wird, befindet sich am Werkzeug ein Arretierknopf.

Um das Werkzeug zu starten, drücken Sie zuerst den Arretierknopf und betätigen den Ein-/Aus-Schalter.

Lassen Sie zum Ausschalten des Werkzeugs den Ein/Aus-Schalter los.

## MONTAGE

### ACHTUNG:

- Schalten Sie das Werkzeug stets aus und ziehen Sie den Stecker, bevor Sie irgendwelche Arbeiten am Werkzeug vornehmen.

## Montage und Demontage der Sägekette

### ACHTUNG:

- Schalten Sie das Werkzeug aus und ziehen Sie den Stecker, bevor Sie die Sägekette einsetzen oder entfernen.
  - Tragen Sie während der Montage oder Demontage der Sägekette stets Handschuhe.
1. Um die Sägekette zu entfernen, ziehen Sie den Hebel hoch. **(Abb. 6)**
  2. Drücken Sie den Hebel nach unten und drehen Sie ihn gegen den Uhrzeigersinn, um die Mutter zu lösen, bis sich der Kettenradschutz abziehen lässt. (Durch das Herunterdrücken des Hebels passt dieser genau in die Nut der Mutter.)
  3. Drehen Sie das Einstellrad gegen den Uhrzeigersinn, um die Kettenspannung zu lockern.
  4. Entfernen Sie den Kettenradschutz.
  5. Entfernen Sie die Sägekette und die Führungsschiene.
  6. Zur Montage der Sägekette führen Sie das eine Ende der Sägekette auf die Oberseite der Führungsschiene und das andere Ende über das Kettenrad. **(Abb. 7)**

Setzen Sie in diesem Fall die Sägekette wie in der Abbildung dargestellt ein, da diese sich in Pfeilrichtung dreht.

7. Setzen Sie die Führungsschiene an der richtigen Stelle auf die Kettensäge.
8. Drehen Sie die Einstellrad gegen den Uhrzeigersinn, um den Spannstift in Pfeilrichtung zu schieben. **(Abb. 8)**
9. Setzen Sie den Kettenradschutz auf die Kettensäge, so dass der Haken auf dessen Rückseite in einer Öffnung an der Kettensäge einrastet und der Spannstift in einer kleinen Öffnung in der Führungsschiene einrastet. **(Abb. 9)**
10. Drücken Sie den Hebel nach unten und drehen ihn dabei ganz im Uhrzeigersinn, um die Mutter anzuziehen. Drehen Sie den Hebel anschließend um

ein Viertel gegen den Uhrzeigersinn, um die Mutter leicht zu lösen. **(Abb. 10)**

## Einstellen der Kettenspannung

Die Sägekette kann nach vielen Betriebsstunden locker werden. Prüfen Sie daher vor der Inbetriebnahme von Zeit zu Zeit die Kettenspannung.

Ziehen Sie den Hebel nach oben. **(Abb. 11)**

Drücken Sie den Hebel nach unten. Halten Sie den Hebel gedrückt und drehen Sie ihn dabei um ein Viertel gegen den Uhrzeigersinn, um die Mutter leicht zu lösen. (Durch das Herunterdrücken des Hebels passt dieser genau in die Nut der Mutter.) **(Abb. 12)**

Drehen Sie zum Einstellen der Kettenspannung an der Einstellrad. Fassen Sie die Sägekette in der Mitte der Führungsschiene an und heben Sie sie an. Der Abstand zwischen der Führungsschiene und dem Trageriemen sollte ca. 2 - 4 mm betragen. Falls dies nicht der Fall ist, drehen Sie vorsichtig an der Einstellrad, mit der die Führungsschiene gesichert ist. Stellen Sie den Abstand ein. Dabei zeigt die Spitze der Führungsschiene nach oben. **(Abb. 13)**

Halten Sie den Hebel gedrückt und drehen Sie ihn vollständig im Uhrzeigersinn, um die Mutter fest anzuziehen. **(Abb. 14)**

Bringen Sie den Hebel wieder in seine Ausgangsposition. **(Abb. 15)**

### ACHTUNG:

- Eine übermäßig hohe Kettenspannung kann zur Beschädigung der Sägekette, zum Verschleiß der Führungsschiene und zum Bruch der Einstellrad führen.
- Die Montage oder Demontage der Sägekette sollte an einem sauberen Ort, frei von Sägemehl und Ähnlichem, erfolgen.

## BETRIEB

### Schmierung

#### ACHTUNG:

- Schalten Sie das Werkzeug aus und ziehen Sie den Stecker, bevor Sie die Sägekette schmieren

Verwenden Sie zur Schmierung der Sägekette und Säge-schiene ein biologisch abbaubares Sägekettenöl mit Haftzusatz. Der Haftzusatz im Sägekettenöl verhindert ein zu schnelles Abschleudern des Öls von der Sägevorrichtung. Die Verwendung von Mineralölen ist nicht zulässig, da dies zu Umweltschäden führt. **(Abb. 16)**

#### ACHTUNG:

- Haut- und Augenkontakt mit dem Öl vermeiden. Augenkontakt mit Öl führt zu Reizungen. Bei Augenkontakt sofort das betroffene Auge mit klarem Wasser spülen. Danach sofort einen Arzt aufsuchen.
- Verwenden Sie niemals Altöl. Altöl enthält krebserregende Wirkstoffe. Die Verunreinigungen im Altöl führen zu vorzeitigem Verschleiß der Ölpumpe, der Säge-schiene und der Sägekette. Altöl ist umweltschädlich.

- Wenn die Kettensäge das erste Mal mit Kettenöl befüllt wird oder der Tank vorher komplett entleert wurde, dann unbedingt Öl bis zur Unterkante des Einfüllstutzens einfüllen. Ansonsten kann die Ölzufuhr beeinträchtigt werden.

Säubern Sie wie in der Abbildung dargestellt den Bereich um den Öltankverschluss sorgfältig, um zu verhindern, dass Schmutz in den Öltank eindringt. (Abb. 17)

Schrauben Sie den Öltankverschluss ab und füllen Sie bis zur Unterkante des Einfüllstutzens Öl ein.

Schrauben Sie den Öltankverschluss wieder fest auf.

Wischen Sie eventuell übergelaufenes Kettenöl sorgfältig ab.

Bei der ersten Inbetriebnahme der Kettensäge kann es bis zu zwei Minuten dauern, bis das Sägekettenöl beginnt, die Sägevorrichtung zu schmieren. Lassen Sie die Säge so lange ohne Last laufen (siehe "PRÜFUNGEN").

Der Tankinhalt (200 ml) reicht für eine Betriebsdauer von etwa 30 Minuten.

## PRÜFUNGEN

Führen Sie vor Arbeitsbeginn die folgenden Prüfungen durch:

### Überprüfung der Kettenspannung (Abb. 18)

#### WARNUNG:

- Ziehen Sie immer den Netzstecker, bevor Sie die Kettenspannung überprüfen und tragen Sie Schutzhandschuhe.

Die richtige Spannung der Sägekette ist dann gegeben, wenn die Sägekette an der Schienenunterseite anliegt und sich von Hand leicht ca. 2 - 4 mm von der Sägechiene abheben lässt.

Überprüfen Sie die Kettenspannung häufig, da sich neue Sägeketten längen. Eine zu lockere Kette kann abspringen. Unfallgefahr!

Wenn die Kette zu locker ist: Spannen Sie die Kette wieder wie unter "Einstellen der Kettenspannung" beschrieben.

### Überprüfen des Ein/Aus-Schalters

#### ACHTUNG:

Ziehen Sie stets den Stecker, bevor Sie den Ein/Aus-Schalter überprüfen. Ein Einrasten des Ein/Aus-Schalters in der Position ON ist verboten.

Der Ein/Aus-Schalter darf sich erst dann drücken lassen, nachdem Sie den Arretierknopf gedrückt haben.

In gedrückter Stellung darf der Ein/Aus-Schalter nicht klemmen. Nach dem Loslassen muss der Ein/Aus-Schalter automatisch in die Position OFF zurückgehen, und der Arretierknopf muss ausrasten. (Abb. 19)

### Überprüfen der Kettenbremse

#### HINWEIS:

- Wenn die Kettensäge nicht anläuft, muss die Kettenbremse gelöst werden. Ziehen Sie den Handschutz kräftig nach hinten, bis er fühlbar einrastet.

Halten Sie beim Einschalten die Kettensäge mit beiden Händen fest. Halten Sie die rechte Hand am hinteren Griff und die linke Hand am vorderen Griff. Die Schiene und Kette dürfen keine Gegenstände berühren.

Drücken Sie zunächst den Arretierknopf, danach den Ein/Aus-Schalter. Die Sägekette läuft sofort an.

Drücken Sie den Handschutz mit dem Handrücken nach vorne. Die Sägekette muss sofort zum Stillstand kommen. (Abb. 20)

#### ACHTUNG:

- Sollte die Sägekette bei dieser Prüfung nicht sofort zum Stillstand kommen, darf die Säge auf keinen Fall in Betrieb genommen werden. Suchen Sie eine MAKITA Fachwerkstatt auf.

### Überprüfen der Auslaufbremse

Schalten Sie die Kettensäge ein.

Lassen Sie den Ein/Aus-Schalter ganz los. Die Sägekette muss innerhalb einer Sekunde zum Stillstand kommen.

#### ACHTUNG:

- Sollte die Sägekette während dieser Prüfung nicht innerhalb einer Minute zum Stillstand kommen, darf die Säge nicht in Betrieb genommen werden. Suchen Sie eine MAKITA Fachwerkstatt auf.

### Überprüfung der Kettenschmierung (Abb. 21)

Überprüfen Sie vor Arbeitsbeginn den Ölstand im Tank und die Ölzufuhr.

Sie können den Ölstand im Sichtfenster wie in der Abbildung dargestellt ablesen.

So prüfen Sie die Ölzufuhr:

Starten Sie die Kettensäge.

Halten Sie die laufende Kettensäge ca. 15 cm über einen Baumstumpf oder den Boden. Bei ausreichender Schmierung bildet sich eine leichte Ölspur durch das abspritzende Öl. Achten Sie auf die Windrichtung und setzen Sie sich nicht unnötig dem Schmierölnebel aus.

#### ACHTUNG:

- Wenn sich keine Ölspur bildet, nehmen Sie die Säge nicht in Betrieb. Ansonsten wird die Lebensdauer der Sägekette verkürzt. Überprüfen Sie den Ölstand. Reinigen Sie die Ölführungsnut und die Öleintrittsbohrung in der Sägechiene (siehe "WARTUNG").

## ARBEITEN MIT DER KETTENSÄGE

### Ablängen

Bei Ablängschnitten die Zackenleiste wie in der Abbildung dargestellt an das zu schneidende Holz ansetzen.

#### (Abb. 22)

Mit laufender Kettensäge in das Holz sägen. Die Säge dabei am hinteren Griff hochziehen und am vorderen Griff führen. Verwenden Sie die Zackenleiste als Drehpunkt.

Setzen Sie mit leichtem Druck auf den vorderen Griff nach. Ziehen Sie dabei die Säge etwas zurück. Die Zackenleiste tiefer ansetzen und erneut den hinteren Griff hochziehen.

Wenn Sie mehrere Schnitte durchführen, schalten Sie die Kettensäge zwischen den Schnitten aus.

#### **ACHTUNG:**

- Beim Schneiden mit der Schienenoberseite kann die Säge in Ihre Richtung ausschlagen, wenn die Sägekette einklemmt. Deshalb sollten Sie mit der Schienenunterseite sägen, da dann die Säge vom Körper weggezogen wird. **(Abb. 23)**

Schneiden Sie Holz unter Spannung zuerst auf der Druckseite (A) ein. Sägen Sie dann den Trennschnitt auf der Zugseite (B). So vermeiden Sie ein Einklemmen der Sägeschiene. **(Abb. 24)**

## **Entasten**

#### **ACHTUNG:**

- Entastungsarbeiten dürfen nur von geschulten Personen durchgeführt werden. Es droht Verletzungsgefahr durch Rückschlag.

Beim Entasten sollte die Kettensäge möglichst am Stamm abgestützt werden. Sägen Sie nicht mit der Schienenspitze, da dies zum Rückschlag führen kann.

Unbedingt auf unter Spannung stehende Äste achten. Freihängende Äste nicht von unten durchtrennen.

Führen Sie Entastungsarbeiten niemals auf dem liegenden Stamm stehend durch.

#### **Stech- und Längsschnitte**

#### **ACHTUNG:**

- Stech- und Längsschnitte dürfen nur von geschulten Personen durchgeführt werden. Verletzungsgefahr durch Rückschlag.

Setzen Sie Längsschnitte in einem möglichst flachen Winkel an. Gehen Sie dabei besonders vorsichtig vor, da die Zackenleiste nicht verwendet werden kann. **(Abb. 25)**

#### **Fällen**

#### **ACHTUNG:**

- Fällarbeiten dürfen nur von geschulten Personen durchgeführt werden. Diese Arbeiten sind gefährlich.

Beachten Sie die lokalen Vorschriften, wenn Sie einen Baum fällen möchten. **(Abb. 26)**

- Vor Beginn des Fällens sicherstellen, dass
  - (1) sich im Fällbereich nur Personen aufhalten, die mit den Fällarbeiten beschäftigt sind,
  - (2) alle beteiligten Personen an beiden Seiten der Fällachse in einem Winkel von etwa 45 ° ungehindert zurückweichen können. Erhöhte Stolpergefahr durch Elektrokabel beachten,
  - (3) der Stammsfuß frei von Fremdkörpern, Wurzeln und Ästen ist,
  - (4) sich in Fallrichtung in einer Entfernung von 2 1/2 Baumlängen weder Personen noch Gegenstände befinden.
- Beachten Sie bei jedem Baum Folgendes:
  - Neigungsrichtung,
  - lose oder trockene Äste,
  - Baumhöhe,
  - natürlichen Überhang,
  - ob der Baum faul ist.

- Beachten Sie die Windgeschwindigkeit und -richtung. Führen Sie bei stärkeren Windböen keine Fällarbeiten durch.
- Beschneiden der Wurzelanläufe: Beginnen Sie mit dem größten Wurzelanlauf. Führen Sie zunächst den senkrechten und danach den waagerechten Schnitt durch. **(Abb. 27)**
- Fallkerb schneiden: Der Fallkerb gibt dem Baum die Fallrichtung und Führung. Er wird auf der Seite angelegt, zu der der Baum fallen soll. Fallkerb möglichst bodennah anlegen. Sägen Sie zuerst den waagerechten Schnitt bis auf eine Tiefe von 1/5 - 1/3 des Stammdurchmessers. Fallkerb nicht zu groß sägen. Sägen Sie dann den schrägen Schnitt.
- Schneiden Sie Fallkerbkorrekturen auf der ganzen Breite nach. **(Abb. 28)**
- Legen Sie den Fällschnitt etwas höher als die Fallkerbsohle an. Der Fällschnitt muss genau waagerecht ausgeführt werden. Lassen Sie vor dem Fallkerb ca. 1/10 des Stammdurchmessers als Bruchleiste stehen. Die Bruchleiste im nicht durchtrennten Stamm dient als Scharnier. Sie darf auf keinen Fall durchtrennt werden, da sonst der Baum unkontrolliert fällt. Setzen Sie rechtzeitig Keile in den Fällschnitt.
- Der Fällschnitt darf nur mit Keilen aus Kunststoff oder Aluminium gesichert werden. Die Verwendung von Eisenkeilen ist verboten.
- Nur seitwärts vom fallenden Baum aufhalten. In einem Winkel von 45 ° nach hinten vom fallenden Baum entfernen (siehe Abbildung " Fällbereich "). Achten Sie dabei auf fallende Äste.

## **WARTUNG**

#### **ACHTUNG:**

- Schalten Sie das Werkzeug stets aus und ziehen Sie den Stecker, bevor Sie Inspektionen oder Wartungsarbeiten am Werkzeug vornehmen.
- Tragen Sie während der Inspektion oder Wartung immer Handschuhe.

Führen Sie die unten aufgeführten Wartungsarbeiten in regelmäßigen Abständen durch. Garantieansprüche werden nur dann anerkannt, wenn diese Arbeiten regelmäßig und ordnungsgemäß ausgeführt wurden.

Sie dürfen nur Wartungsarbeiten durchführen, die in dieser Betriebsanleitung beschrieben sind. Alle darüber hinausgehende Arbeiten müssen von einer MAKITA Fachwerkstatt durchgeführt werden.

#### **Reinigen der Kettensäge**

Reinigen Sie die Säge regelmäßig mit einem sauberen Tuch. Besonders die Griffe müssen frei von Öl sein.

#### **Überprüfen des Kunststoffgehäuses**

Führen Sie regelmäßig eine Sichtprüfung aller Gehäuseteile durch. Sollten Gehäuseteile beschädigt sein, veranlassen Sie sofort eine fachgerechte Reparatur in einer MAKITA Fachwerkstatt.

## Schärfen der Sägekette

### ACHTUNG:

- Bei allen Arbeiten an der Kettensäge unbedingt den Netzstecker ziehen und Schutzhandschuhe tragen. (Abb. 29)

### Die Sägekette schärfen, wenn:

- mehliges Sägespäne beim Sägen von feuchtem Holz entstehen,
- die Sägekette auch bei stärkerem Druck nur mühevoll ins Holz zieht,
- die Schnittkante sichtbar beschädigt ist,
- die Säge im Holz einseitig nach links oder rechts verläuft. Die Ursache hierfür liegt in einer ungleichmäßigen Schärfung der Sägekette oder in einer einseitigen Beschädigung.

### Schärfen Sie die Sägekette häufig, aber entfernen Sie dabei nur wenig Material.

Für das einfache Nachschärfen genügen meist zwei bis drei Feilenstriche. Lassen Sie nach mehrmaligem Schärfen die Sägekette in einer MAKITA Fachwerkstatt nachschärfen.

### Schärfkriterien:

- Alle Hobelzähne müssen gleich lang (Größe a) sein. Verschieden hohe Hobelzähne verursachen einen rauen Kettenlauf und können zum Kettenriss führen.
- Sägekette nicht erneut schärfen, wenn die Mindestlänge der Hobelzähne von 3 mm erreicht ist. Sie müssen dann eine neue Sägekette montieren.
- Die Spandicke wird durch den Abstand zwischen dem Tiefenanschlag (runde Nase) und der Schnittkante bestimmt. Die besten Schnittergebnisse werden durch einen Abstand von 0,5 mm zwischen der Schnittkante und dem Tiefenanschlag erzielt. (Abb. 30)

### ACHTUNG:

- Ein zu großer Abstand erhöht die Rückschlaggefahr.
- Der Schärfwinkel von 30 ° muss bei allen Hobelzähnen gleich sein. Unterschiedliche Winkel verursachen einen rauen, ungleichmäßigen Kettenlauf, führen zu vorzeitigem Verschleiß und zum Kettenbruch.
- Der Brustwinkel des Hobelzahnes von 80 ° wird durch die Eindringtiefe der Rundfeile bestimmt. Wenn die vorgeschriebene Feile richtig geführt wird, ergibt sich der korrekte Brustwinkel automatisch. (Abb. 31)

### Feile und Feilenführung (Abb. 32 - 34)

- Verwenden Sie zum Schärfen eine Spezial-Sägekettenrundfeile (optionales Zubehör) mit einem Durchmesser von 4,5 mm. Normale Rundfeilen sind nicht geeignet.
- Die Feile sollte nur im Vorwärtsstrich in das Material greifen. Beim Zurückführen die Feile vom Material abheben.
- Schärfen Sie den kürzesten Hobelzahn zuerst. Die Länge dieses Zahnes ist dann das Anschlagmaß für alle anderen Hobelzähne der Sägekette.
- Führen Sie die Feile wie in der Abbildung dargestellt.
- Ein Feilenhalter (optionales Zubehör) erleichtert die Feilenführung. Er besitzt Markierungen für den korrekten Schärfwinkel von 30 ° (Markierungen parallel

zur Sägekette ausrichten) und begrenzt die Eindringtiefe (4/5 des Feilendurchmessers).

- Nach dem Nachschärfen der Sägekette die Höhe des Tiefenanschlages mit der Kettenmesslehre (optionales Zubehör) prüfen.
- Entfernen Sie jeglichen Überstand, auch wenn noch so gering, mit einer Spezial-Flachfeile (optionales Zubehör).
- Runden Sie den Tiefenanschlag vorne wieder ab.

## Reinigen der Sägeschiene und Schmierens des Umlenksterns

### ACHTUNG:

- Bei dieser Arbeit unbedingt Schutzhandschuhe tragen. Verletzungsgefahr an Graten. (Abb. 35)

Die Laufflächen der Sägeschiene regelmäßig auf Beschädigungen überprüfen. Diese mit geeignetem Werkzeug reinigen und falls notwendig entgraten.

Bei intensiver Nutzung der Kettensäge das Lager des Umlenksterns mindestens einmal wöchentlich nachschmieren. Reinigen Sie die 2 mm große Öffnung an der Sägeschienspitze vor dem Nachschmieren sorgfältig und pressen Sie eine geringe Menge Mehrzweckfett (optionales Zubehör) in die Öffnung ein.

### Reinigen der Ölführung (Abb. 36)

- Reinigen Sie die Ölführungsnut und die Öleintrittsbohrung der Sägeschiene in regelmäßigen Abständen.

### Reinigen des Ölfilters an der Öleintrittsbohrung

Während des Betriebs können sich Feinstaub oder Fremdkörper im Ölfilter an der Öleintrittsbohrung ablagern.

Feinstaub oder Fremdkörper im Ölfilter können den Öldurchfluss beeinträchtigen und somit zu einer unzureichenden Schmierung der gesamten Sägekette führen.

Wenn die Ölversorgung an der Spitze der Führungsschiene unzureichend ist, reinigen Sie den Filter wie folgt beschrieben.

Ziehen Sie den Netzstecker. Entfernen Sie den Kettenradschutz und die Sägekette (siehe Abschnitt "Montage und Demontage der Sägekette").

Lösen Sie die Spannmutter mithilfe eines Schlitz-Schraubendrehers mit einem dünnen Schaft oder Ähnlichem. (Abb. 37)

Nehmen Sie den Filter aus der Sägekette und entfernen Sie Feinstaub oder Fremdkörper.

Wenn der Filter sehr stark verschmutzt ist, ersetzen Sie diesen.

Schließen Sie das Werkzeug an. (Abb. 38)

Betätigen Sie den Ein/Aus-Schalter, um Feinstaub oder Fremdkörper aus der Öleintrittsbohrung zu spülen, indem Sie das Kettenöl ablassen.

Ziehen Sie den Netzstecker. (Abb. 39)



Setzen Sie den gereinigten Ölfilter in die Öleintrittsbohrung ein. Wenn der Filter sehr stark verschmutzt ist, ersetzen Sie diesen. **(Abb. 40)**

Setzen Sie die Spannmutter mit der richtigen Seite nach oben wie in der Abbildung dargestellt in die Öleintrittsbohrung ein, um den Filter zu sichern. Wenn die Spannmutter so verformt ist, dass der Filter nicht mehr gesichert werden kann, ersetzen Sie diese.

Bringen Sie den Kettenradschutz und die Sägekette erneut am Werkzeug an. **(Abb. 41)**

## Neue Sägeketten

Verwenden Sie zwei bis drei Sägeketten wechselweise, damit sich Sägekette, Kettenrad und Laufflächen der Sägeschiene gleichmäßig abnutzen.

Wenden Sie beim Kettenwechsel die Sägeschiene, um ein gleichmäßiges Abnutzen der Sägeschiennut zu erreichen.

### ACHTUNG:

- Nur für diese Säge zugelassene Ketten und Schienen verwenden (siehe "TECHNISCHE ANGABEN").

Bevor Sie eine neue Sägekette auflegen, überprüfen Sie den Zustand des Kettenrades. **(Abb. 42)**

### ACHTUNG:

- Ein eingelaufenes Kettenrad führt an einer neuen Kette zu Beschädigungen. Lassen Sie das Kettenrad unbedingt auswechseln.

Setzen Sie beim Wechsel des Kettenrades immer einen neuen Sicherungsring ein.

## Wartung der Ketten- und Auslaufbremse

Die Bremssysteme sind sehr wichtige Sicherheitseinrichtungen. Wie alle anderen Teile der Kettensäge sind sie bis zu einem gewissen Grad Verschleiß ausgesetzt. Sie müssen regelmäßig von einer MAKITA Fachwerkstatt überprüft werden. Diese Maßnahme dient Ihrer persönlichen Sicherheit.

## Aufbewahrung des Werkzeugs

Biologisch abbaubares Sägekettenöl ist nur begrenzt haltbar. Nach einer Frist von zwei Jahren ab dem Herstellungsdatum neigen Bio-Öle zu Verklebungen und verursachen dadurch Schäden an der Ölpumpe und den Öl führenden Bauteilen.

- Vor einer längeren Außerbetriebnahme den Öltank entleeren und anschließend mit einer geringen Menge Motoröl (SAE 30) befüllen.
- Lassen Sie die Kettensäge einige Zeit laufen lassen, damit alle Rückstände des Bio-Öls aus dem Tank, Ölleitungssystem und Sägevorrichtung gespült werden.

**Wenn die Kettensäge außer Betrieb genommen wird, laufen noch einige Zeit geringe Mengen von Kettenöl aus. Dies ist normal und deutet nicht auf einen Fehler hin.**

Bewahren Sie die Kettensäge auf einer geeigneten Unterlage auf.

Für erneute Inbetriebnahme wieder frisches BIOTOP Sägekettenöl einfüllen.

Um die SICHERHEIT und ZUVERLÄSSIGKEIT des Produkts zu gewährleisten, sollten Reparaturen, Wartungsarbeiten und Einstellungen nur durch von MAKITA autorisierte Servicecenter durchgeführt und immer MAKITA -Ersatzteile verwendet werden.

## ZUBEHÖR

### ACHTUNG:

- Die folgenden Zubehör- und Zusatzteile werden für das in diesem Handbuch beschriebene MAKITA-Werkzeug empfohlen. Die Verwendung anderer Zubehör- und Zusatzteile kann zu Personenschäden führen. Verwenden Sie Zubehör- und Zusatzteile nur für den vorgesehenen Zweck.

Informationen zu diesem Zubehör erhalten Sie bei einem MAKITA -Servicecenter in Ihrer Nähe.

- Sägekette
- Schienenschutz
- Führungsschiene komplett
- Kettenanschlag
- Rundfeile 4,5 mm
- Flachfeile
- Feilenhalter mit 4,5 mm Feile
- Feilengriff
- 1 l BIOTOP Sägekettenöl
- 5 l BIOTOP Sägekettenöl
- Mehrzweckfett
- Fettpresse

**Componenti della motosega**

- |                           |                     |                           |
|---------------------------|---------------------|---------------------------|
| 1. Impugnatura posteriore | 6. Barra di guida   | 11. Protezione posteriore |
| 2. Grilletto interruttore | 7. Catena           | 12. Artigli               |
| 3. Tappo serbatoio olio   | 8. Leva             | 13. Sicura                |
| 4. Impugnatura anteriore  | 9. Carter pignone   | 14. Perno fermacatena     |
| 5. Paramano anteriore     | 10. Vetro spia olio | 15. Copribarra            |

**Spiegazione della vista generale**

- |                           |                          |                               |
|---------------------------|--------------------------|-------------------------------|
| 1. Sicura                 | 11. Serrare              | 21. Vetro spia                |
| 2. Grilletto interruttore | 12. Leva                 | 22. Artigli                   |
| 3. Premere                | 13. Bassa                | 23. Area di abbattimento      |
| 4. Allentare              | 14. Alta                 | 24. Canale di lubrificazione  |
| 5. Carter pignone         | 15. Barra di guida       | 25. Foro di lubrificazione    |
| 6. Ghiera di regolazione  | 16. Catena               | 26. Dado                      |
| 7. Perno di regolazione   | 17. Tappo serbatoio olio | 27. Cacciavite a testa piatta |
| 8. Gancio                 | 18. Paramano             | 28. Filtro                    |
| 9. Foro                   | 19. Blocco               | 29. Pignone                   |
| 10. Foro piccolo          | 20. Sblocco              |                               |

**DATI TECNICI**

Modello		UC3020A	UC3520A	UC4020A
Velocità max. catena (m/s)		13,3		
Lunghezza di taglio		300 mm	350 mm	400 mm
Catena	Tipo	90SG		
	Passo	3/8"		
Livello di potenza acustica L WA av dB (A) conforme a EN 50144 -1 <sup>1)</sup>		105,3		
Livello di pressione sonora L pA av dB (A) sul luogo di lavoro conforme a EN 50144 -1 <sup>1)</sup>		92,3		
Accelerazione vibrazioni a h,w av conforme a ISO 50144-2-13 <sup>1)</sup>				
- Impugnatura anteriore m/s <sup>2</sup>		3,4		3,9
- Impugnatura posteriore m/s <sup>2</sup>		4,0		4,5
Pompa dell'olio		Automatica		
Capacità serbatoio dell'olio (l)		0,20		
Trasmissione		Diretta		
Freno catena		Manuale		
Freno motore		Meccanico		
Lunghezza (senza barra di guida)		436 mm		
Peso		3,8 kg		
Prolunga (opzionale)		DIN 57282/HO 7RN -F L=30 m max., 3 x 1,5 mm <sup>2</sup>		

1) I dati indicano un peso equivalente per il funzionamento a pieno carico e alla velocità massima.

- Le caratteristiche tecniche riportate di seguito sono soggette a modifiche senza preavviso a seguito del nostro programma continuo di ricerca e sviluppo.
- Nota: le caratteristiche tecniche possono differire da paese a paese.

**Simboli**

END218-1

L'elenco seguente riporta i simboli utilizzati per l'utensile. È importante conoscerne il significato prima di utilizzare l'utensile.



..... ISOLAMENTO DOPPIO



..... Attenzione: si richiede un'attenzione speciale!



..... Leggere il manuale di istruzioni attenendosi alle avvertenze e alle prescrizioni di sicurezza.



-  ..... Attenzione: nell'eventualità che il cavo venga danneggiato, scollegare immediatamente l'alimentazione!
-  ..... Attenzione: contraccolpo!
-  ..... Proteggere da pioggia e umidità!
-  ..... Indossare elmetto, occhiali protettivi e cuffie antirumore!
-  ..... Indossare guanti protettivi!
-  ..... Scollegare la spina!
-  ..... Pronto soccorso
-  ..... Riciclaggio
-  ..... Marchio CE
-  ..... Lunghezza di taglio massima consentita
-  ..... Direzione della catena
-  ..... Olio catena
-  ..... Freno catena disinnestato/innestato
-  ..... Vietato!

### Uso previsto

L'utensile è concepito per il taglio di legname e tronchi.

### Alimentazione

L'utensile deve essere collegato a una presa di corrente con la stessa tensione di quella indicata sulla targhetta e può funzionare soltanto con corrente alternata monofase. Esso ha un doppio isolamento in osservanza alle norme europee, per cui può essere usato con prese di corrente sprovviste della messa a terra.

### Per reti elettriche a bassa tensione tra 220V e 250V.

L'accensione e lo spegnimento di apparecchiature elettriche provoca oscillazioni della tensione. Il funzionamento del presente dispositivo in condizioni diverse da quelle consigliate può provocare interferenze nel funzionamento di altre apparecchiature. Non dovrebbero presentarsi problemi con un'impedenza di rete pari o inferiore a 0,35 Ohm. La presa di corrente a cui viene collegato il presente dispositivo deve essere protetta da un fusibile o interruttore di protezione avente un ritardo di scatto lento.

## REGOLE DI SICUREZZA AGGIUNTIVE

ENB098-1

1. **Prima dell'uso, leggere il manuale di istruzioni relativamente al funzionamento della motosega.**

2. **Al primo utilizzo dell'utensile, fare in modo di ricevere istruzioni sul funzionamento. Nel caso non sia possibile, fare una prova di taglio appoggiando un ceppo di legno su un cavalletto.**
3. **L'uso della motosega non è consentito ai minori di 18 anni. Tale restrizione non si estende agli operatori con un'età superiore a 16 anni intenti in una preparazione svolta sotto la supervisione di un esperto.**
4. **L'utilizzo della motosega richiede molta concentrazione. Non utilizzare la motosega quando non si è in buone condizioni fisiche! Eseguire il lavoro con calma e precisione.**
5. **Non utilizzare l'utensile quando si è sotto l'influenza di alcool, droghe o farmaci.**


### Uso corretto

1. **La motosega è concepita esclusivamente per il taglio di legname. Non utilizzarla per tagliare altri materiali come plastica o calcestruzzo.**
2. **Utilizzare la motosega esclusivamente per le operazioni descritte nel presente manuale. Ad esempio, non utilizzarla per tagliare siepi o operazioni simili.**
3. **Non utilizzare la motosega per lavori forestali, come l'abbattimento di alberi e la sramatura tronchi in posizione verticale. Infatti, il cavo della motosega non consente all'operatore la mobilità e la sicurezza richieste per questo tipo di lavori.**
4. **La motosega non è pensata per un uso commerciale.**
5. **Non sovraccaricare la motosega.**

### Dispositivi di protezione individuale


1. **L'abbigliamento deve essere aderente, ma non tale da limitare i movimenti.**
2. **Durante l'utilizzo dell'utensile, indossare i seguenti dispositivi di protezione:**
  - Elmetto di protezione omologato, nei casi in cui vi sia rischio di caduta di rami o materiale simile;
  - Visiera facciale o occhiali di protezione;
  - Protezione acustica adeguata (cuffie foniche, tappi fonizzanti personalizzati o modellabili). Su richiesta, eseguire l'analisi in bande di ottava.
  - Guanti protettivi in pelle resistente;
  - Pantaloni lunghi in tessuto resistente;
  - Tuta di cotone protettiva in tessuto resistente al taglio;
  - Calzature antinfortunistiche (scarpe o stivali) con soles antiscivolo, puntale in acciaio e fodera in tessuto resistente al taglio;
  - Maschera per i lavori in cui si producano polveri, ad esempio nella segatura di legno secco.

### Protezione contro le scosse elettriche

-  ..... Non utilizzare la motosega in condizioni ambientali o ambienti umidi poiché il motore elettrico non è a tenuta stagna.

1. **Inserire la spina esclusivamente in prese con messa a terra in impianti elettrici omologati. Verificare che la tensione di rete corrisponda a**

quella indicata sulla targhetta dell'utensile.  
Verificare che sia predisposto un fusibile di linea da 16A. Se utilizzata all'aperto, la sega deve essere collegata a un interruttore differenziale avente una corrente di funzionamento non superiore a 30 mA.

 ..... In caso di danni al cavo, scollegare subito la spina.

## Linee guida per un utilizzo sicuro

1. **Prima di usare la motosega, verificare che la stessa sia in buone condizioni di funzionamento e risponda alle norme di sicurezza. In particolare, verificare che:**

- Il freno catena funzioni correttamente;
- Il freno motore funzioni correttamente;
- La barra di guida e il carter del pignone siano montati correttamente;
- La catena sia affilata e abbia una tensione rispondente alle disposizioni in vigore;
- Il cavo e la spina non siano danneggiati.

Vedere la sezione "VERIFICHE".

2. Verificare, nello specifico, che il cavo della prolunga utilizzata sia della sezione adeguata (vedere la sezione "DATI TECNICI"). Se si usa un avvolgicavo, srotolare totalmente il cavo. Per utilizzare la sega all'aperto, verificare che il cavo impiegato sia adatto all'uso per esterni e abbia la portata adeguata.
3. Poiché il motore genera scintille, non avviare la motosega in prossimità di polveri o gas infiammabili, che sarebbero causa di rischio di esplosioni.
4. Lavorare solo su terreni solidi e avere un equilibrio stabile. Verificare che non vi siano ostacoli, ad esempio cavi, nell'area di lavoro. Prestare particolare attenzione durante il lavoro quando l'umidità, il ghiaccio, la neve, legna appena tagliata o corteccia possono rendere scivolose le superfici. Non utilizzare la sega quando si è su una scala o su un albero.
5. Prestare particolare attenzione quando si lavora su terreni inclinati; tronchi che rotolano e rami possono rappresentare un potenziale pericolo.
6. Non eseguire tagli a un'altezza superiore a quella delle spalle. (Fig. 1)
7. Afferrare la motosega con entrambe le mani durante l'accensione e l'uso. Tenere l'impugnatura posteriore con la mano destra e quella anteriore con la mano sinistra. Tenere ferme le impugnature usando i pollici. La barra di guida e la catena non devono essere a contatto con l'oggetto da tagliare quando si accende la motosega.
8. Pulire la zona da tagliare eliminando oggetti estranei come sabbia, sassi, lumache, cavi, ecc. Tali oggetti estranei danneggiano la barra di guida e la catena, con la possibilità di pericolosi contraccolpi.
9. Prestare particolare attenzione quando si lavora in prossimità di recinzioni elettrificate. Non tagliare la recinzione: pericolo di contraccolpo.
10. Non inserire la motosega accessa nel terreno.
11. Tagliare i ceppi singolarmente, non in fascine o pile.

12. Non utilizzare la sega per tagliare rami e radici sottili, che potrebbero rimanere impigliati nella catena. La perdita di equilibrio rappresenta un potenziale pericolo.
13. Utilizzare un supporto stabile (cavalletto) per tagliare ceppi sezionati.
14. Non utilizzare la motosega per fare leva o spazzare lo sporco da **ceppi o altri oggetti**.
15. Guidare la motosega facendo in modo che nessuna parte del corpo dell'operatore si trovi nel **raggio di azione della catena**. (Fig. 2)
16. Mentre ci si sposta da un punto all'altro di lavoro, inserire il freno catena per evitare l'avvio accidentale della stessa. Tenere la motosega dall'impugnatura anteriore durante gli spostamenti e allontanare il dito dall'interruttore. Durante le pause o quando si lascia la motosega incustodita, scollegare la spina. Lasciare la motosega in zone dove non rappresenti un pericolo.
17. Durante le pause o quando si lascia la motosega incustodita, scollegare la spina. Lasciare la motosega in zone dove non rappresenti un pericolo.

## Contraccolpo

1. Mentre si usa la motosega sono possibili pericolosi contraccolpi, che si verificano quando la punta della barra di guida, specialmente con il legno o altro oggetto solido, entra in contatto con il legno o altro oggetto solido. A seguito del contraccolpo, la catena viene deviata verso l'operatore. (Fig. 3)
2. Per evitare il contraccolpo, attenersi alle seguenti linee guida:
  - Non iniziare mai a tagliare usando la punta della barra di guida.
  - Non utilizzare la punta della barra di guida per eseguire tagli. Prestare particolare attenzione quando si riprendono tagli già iniziati.
  - Avviare il taglio con la catena già in funzione.
  - Tenere la catena correttamente affilata. In particolare, mantenere il dentino all'altezza corretta (per maggiori dettagli, vedere la sezione "Affilatura della catena").
  - Non segare più rami alla volta.
  - Durante la sramatura, evitare che la barra di guida tocchi altri rami.
  - Durante la sezionatura, stare lontani dai ceppi adiacenti. Tenere sempre sotto controllo la punta della barra di guida.
  - Utilizzare un cavalletto.

## Elementi di sicurezza

1. Prima dell'uso, verificare sempre che gli elementi di sicurezza funzionino correttamente. Non utilizzare la motosega se tali elementi presentano un funzionamento non conforme.
- **Freno catena**  
La motosega è provvista di un freno catena che arresta la catena in una frazione di secondo. Viene attivato spingendo in avanti il paramano. La motosega si arresta entro 0,15 secondi e l'alimentazione viene staccata.

## - Freno motore (Fig. 4)

La motosega è provvista di un freno motore che la arresta immediatamente agendo sull'interruttore principale (ON/OFF). Esso evita che la motosega si accenda dopo lo spegnimento e sia causa di pericolo per l'operatore.

- I **paramento anteriore e posteriore** proteggono l'operatore da lesioni dovute a pezzi di legno scagliati all'indietro o alla rottura della catena.
- Il dispositivo di blocco del grilletto evita l'accensione accidentale della motosega.
- Il **perno fermacatena** protegge l'operatore dalle lesioni che possono essere causate dai contraccolpi o la rottura della catena.

## Trasporto e conservazione



..... Quando la motosega non viene utilizzata e durante il trasporto, scollegare la spina e inserire il fodero sulla barra. Non trasportare o spostare la motosega mentre è in funzione.

1. Trasportare la motosega afferrandola esclusivamente dall'impugnatura anteriore, con la barra di guida rivolta all'indietro.
2. Tenere la motosega in luogo sicuro, asciutto e chiuso a chiave, lontano dalla portata dei bambini. Non conservare la motosega in ambiente esterno.

## Manutenzione

1. Estrarre la spina dalla presa di corrente prima di eseguire qualsiasi intervento di regolazione o manutenzione.
2. Controllare con regolarità che il cavo di alimentazione sia sempre ben isolato.
3. Pulire la motosega con regolarità.
4. Far riparare immediatamente e in modo adeguato l'alloggiamento in plastica.
5. Non utilizzare la sega se il grilletto non funziona correttamente. In tal caso, farlo riparare.
6. In nessun caso apportare modifiche alla motosega. Qualsiasi intervento di questo tipo rappresenta un rischio per la sicurezza.
7. Eseguire solo gli interventi di manutenzione o riparazione indicati nel presente manuale di istruzioni. Eventuali altri lavori devono essere svolti dal Servizio assistenza MAKITA.
8. Utilizzare solo i ricambi originali e gli accessori MAKITA previsti per il proprio modello di motosega. L'utilizzo di ricambi non originali aumenta il rischio di incidenti.
9. MAKITA non si assume alcuna responsabilità per incidenti o danni dovuti all'uso di barre, catene o altri ricambi o accessori non approvati. Vedere l'"Estratto dell'elenco ricambi" per la lista delle barre e delle catene approvate.

## Pronto soccorso



..... Non lavorare da soli. Tenersi sempre a una distanza da altri operatori tale da poterli chiamare gridando.

1. Tenere a portata di mano una cassetta di pronto soccorso. Sostituire subito eventuali articoli rimossi o utilizzati.
2. Nel caso si richieda assistenza per un incidente, indicare quanto segue:
  - Dove si è verificato l'incidente
  - Cosa è accaduto
  - Il numero di persone ferite
  - Quali lesioni sono state procurate
  - La persona che riferisce dell'incidente

### NOTA

Gli operatori che soffrono di insufficienza venosa e sono esposti a vibrazioni eccessive possono riportare danni ai vasi sanguigni o al sistema nervoso.

Le vibrazioni possono causare i seguenti sintomi alle dita, alle mani o ai polsi: sonnolenza (torpore), fornicolo, dolore, fitte acute, alterazione della pelle o del suo colore.

**Al manifestarsi di tali sintomi, rivolgersi a un medico!**

## CONSERVARE QUESTE ISTRUZIONI.

## DESCRIZIONE DEL FUNZIONAMENTO

### ATTENZIONE

- Prima di regolare o controllare le funzioni dell'utensile, verificare sempre di averlo spento e scollegato dall'alimentazione.

## Azionamento dell'interruttore (Fig. 5)

### ATTENZIONE

- Prima di collegare l'utensile, controllare se l'interruttore funziona correttamente e ritorna alla posizione "OFF" una volta rilasciato.

La sicura previene l'azionamento involontario dell'interruttore di accensione.

Per accendere l'utensile, premere la sicura e tirare l'interruttore di accensione.

Per arrestare l'utensile, rilasciare il grilletto.

## MONTAGGIO

### ATTENZIONE

- Accertarsi sempre che l'utensile si spento e scollegato dalla presa di corrente prima di iniziare qualsiasi operazione su di esso.

## Montaggio e smontaggio della catena

### ATTENZIONE

- Prima di montare o smontare la catena, accertarsi sempre che l'utensile sia spento e scollegato.

- Per queste operazioni, indossare sempre i guanti protettivi.
1. Per smontare la catena, sollevare la leva. (Fig. 6)
  2. Premere la leva e, mentre è spinta in basso, girarla in senso antiorario per allentare il dado fino a sganciare il carter del pignone (premo la leva, il relativo supporto si inserisce nel dado).
  3. Girare la ghiera di regolazione in senso antiorario per disinnestare la tensione della catena.
  4. Rimuovere il carter del pignone.
  5. Rimuovere la catena e la barra di guida.
  6. Per montare la catena, agganciarne un'estremità sulla punta della barra di guida e l'altra estremità intorno al pignone. (Fig. 7)

A questo punto, montare la catena come mostrato in figura, facendo in modo che giri nella direzione della freccia.

7. Posizionare la barra di guida nella motosega.
8. Girare la ghiera di regolazione in senso antiorario per far scorrere il perno di regolazione nella direzione della freccia. (Fig. 8)
9. Montare il carter del pignone sulla motosega, facendo in modo che il gancio posteriore si inserisca nel foro predisposto del corpo della motosega e il perno di regolazione si vada a posizionare nel piccolo foro della barra di guida. (Fig. 9)
10. Premere la leva e, mentre è spinta in basso, girarla completamente in senso orario per serrare il dado. A questo punto, girarla di circa un quarto di giro in senso antiorario per allentare leggermente il dado. (Fig. 10)

## Regolazione della tensione della catena

Dopo diverse ore di utilizzo, la catena può allentarsi. È quindi necessario verificarne periodicamente la tensione prima dell'uso.

Sollevare la leva. (Fig. 11)

Inserirla tenendola premuta. Con la leva in questa posizione, fare un quarto di giro in senso antiorario per allentare leggermente il dado (premo la leva, il relativo supporto si inserisce nel dado). (Fig. 12)

Girare la ghiera di regolazione per calibrare la tensione della catena. Afferrare la catena nella parte centrale della barra di guida e sollevarla. Lo spazio tra la barra di guida e le maglie della catena deve essere circa 2 - 4 mm. Se lo spazio è diverso, girare leggermente la ghiera di regolazione per fissare la barra. A questo punto, regolare tenendo la punta della barra di guida lievemente sollevata. (Fig. 13)

Con la leva spinta in basso, girarla completamente in senso orario per serrare il dado. (Fig. 14)

Riportare la leva nella posizione di partenza. (Fig. 15)

### ATTENZIONE

- Una tensione eccessiva può provocare la rottura della catena, l'usura della barra di guida e la rottura della ghiera di regolazione.
- Il montaggio o lo smontaggio della catena deve essere eseguito in un luogo pulito privo di segatura e corpi estranei.

## FUNZIONAMENTO

### Lubrificazione

#### ATTENZIONE

- Prima di lubrificare la catena, accertarsi sempre che l'utensile sia spento e scollegato.

Lubrificare la catena e la barra di guida utilizzando olio specifico biodegradabile avente l'adeguata viscosità. La sostanza viscosa presente nell'olio per catena evita che questo venga versato troppo velocemente sulla sega. Non utilizzare olii minerali, poiché dannosi per l'ambiente. (Fig. 16)

#### ATTENZIONE

- Evitare le l'olio entri in contatto con pelle e occhi, ai quali provoca irritazione. In caso di contatto con gli occhi, lavare subito con abbondante acqua corrente e rivolgersi a un medico.
- Non utilizzare olio esausto, in quanto contenente sostanze cancerogene. Le sostanze inquinanti presenti nell'olio esausto accelerano l'usura della pompa dell'olio, della barra di guida e della catena. L'olio esausto è dannoso per l'ambiente.
- Quando si carica per la prima volta la motosega con l'olio per catena o si rabbocca il serbatoio dopo il suo totale svuotamento, aggiungere olio fino all'orlo del bocchettone di riempimento. In caso contrario, potrebbe essere compromessa l'alimentazione dell'olio.

Pulire accuratamente l'area intorno al tappo del serbatoio dell'olio, mostrato in figura, per evitare che corpi estranei entrino nel serbatoio. (Fig. 17)

Svitare il tappo del serbatoio dell'olio e rabboccare fino all'orlo del bocchettone.

Riavvitare saldamente il tappo.

Pulire con cura l'eventuale olio versato.

Quando si usa la motosega per la prima volta, possono essere necessari fino a due minuti di attesa prima che l'olio inizi a lubrificare l'ingranaggio della catena. Far funzionare la motosega a vuoto fino a quando le maglie risultano ben lubrificate (vedere la sezione "VERIFICHE").

La capacità del serbatoio (200 ml) è sufficiente per un uso di circa 30 minuti.

### VERIFICHE

Prima di avviare il lavoro, svolgere le seguenti verifiche:

#### Verifica della tensione della catena (Fig. 18)

#### AVVERTENZA

- Prima di verificare la tensione della catena, scollegare la spina e indossare guanti protettivi.

La catena è tensionata correttamente quando tocca il bordo della barra di guida e può essere sollevata di circa 2 - 4 mm con una leggera pressione delle dita.

Verificare con regolarità la tensione della catena, poiché le catene nuove sono soggette ad allungamento. Una catena troppo allentata può sganciarsi dalla barra di guida e rappresentare un pericolo.

Se la catena è troppo allentata, fare riferimento alla sezione "Regolazione della tensione della catena" e apportare le modifiche necessarie.

### Verifica di funzionamento dell'interruttore

#### ATTENZIONE

Scollegare sempre l'utensile prima di verificare il grilletto interruttore. È proibito bloccare il grilletto in posizione ON. Infatti, non deve risultare possibile premere il grilletto se prima non si preme la sicura.

Il grilletto non deve rimanere bloccato in posizione premuta. Se sganciato, il grilletto deve tornare automaticamente in posizione OFF e la sicura deve tornare nella posizione di partenza. (Fig. 19)

### Verifica del freno catena

#### NOTA

- Se la motosega non si avvia, è necessario disinnestare il freno catena. Tirare indietro con fermezza il paramano fino a percepirne l'inserimento.

Afferrare la motosega con entrambe le mani durante l'accensione. Tenere l'impugnatura posteriore con la mano destra e quella anteriore con la mano sinistra. La barra di guida e la catena non devono toccare alcun oggetto.

Premere innanzitutto la sicura, quindi il grilletto. La catena si avvia direttamente.

Premere il paramano in avanti usando il dorso della mano. La catena di deve arrestare immediatamente. (Fig. 20)

#### ATTENZIONE

- Nell'eventualità che la catena non si arresti subito durante la verifica, non utilizzare la motosega per nessun motivo. Al contrario, rivolgersi a un riparatore autorizzato MAKITA.

### Verifica del freno motore

Accendere la motosega.

Rilasciare totalmente il grilletto. La catena deve arrestarsi entro un secondo.

#### ATTENZIONE

- Nell'eventualità che la catena non si arresti entro un secondo durante la verifica, non utilizzare l'utensile. Al contrario, rivolgersi a un riparatore autorizzato MAKITA.

### Verifica dell'oliatore della catena (Fig. 21)

Prima di iniziare il lavoro, verificare il livello dell'olio nel serbatoio e controllare che la lubrificazione avvenga correttamente.

Il livello dell'olio è visibile dal vetro spia mostrato in figura.

Verificare la lubrificazione procedendo come segue:

Avviare la motosega.

Mentre è in funzione, tenere la motosega circa 15 cm sopra un ceppo d'albero o il terreno. Se la lubrificazione è corretta, lo spruzzo d'olio lascerà una lieve traccia.

Prestare attenzione alla direzione del vento e non esporsi al getto dell'olio inutilmente.

#### ATTENZIONE

- Se l'olio non lascia tracce, non utilizzare la sega. L'assenza di lubrificazione riduce la vita d'uso della catena. Controllare il livello dell'olio. Pulire il canale e il foro di lubrificazione della barra di guida (vedere la sezione "MANUTENZIONE").

## FUNZIONAMENTO DELLA MOTOSEGA

### Sezionatura

Per la sezionatura, appoggiare gli artigli nel tronco da tagliare (come mostrato in figura). (Fig. 22)

Con la motosega azionata, segare il ceppo utilizzando l'impugnatura posteriore per sollevare la sega e quella posteriore per guidarla. Utilizzare gli artigli come punto di appoggio.

Continuare il taglio esercitando una leggera pressione sull'impugnatura anteriore e alleggerendo delicatamente la parte posteriore della sega. Spingere gli artigli più profondamente nel ceppo e sollevare di nuovo l'impugnatura anteriore.

Per eseguire più tagli, spegnere la motosega tra un taglio e l'altro.

#### ATTENZIONE

- Se si utilizza il bordo superiore della barra di guida per tagliare, la sega può essere deviata verso l'operatore se la catena si incastra. Per questo motivo, eseguire i tagli utilizzando il bordo inferiore, in modo che la sega sia deviata lontano dall'operatore. (Fig. 23)

Eseguire il primo taglio sul lato in compressione (A).

Quindi, eseguire l'ultimo taglio sul lato in trazione (B). Ciò evita che la barra di guida rimanga impigliata. (Fig. 24)

## Sramatura

#### ATTENZIONE

- La sramatura deve essere eseguita solo da personale preparato. Il possibile contraccolpo rappresenta un serio pericolo.

Durante la sramatura, se possibile appoggiare la motosega sul tronco. Non eseguire il taglio utilizzando la punta della barra di guida, poiché ciò può provocare un contraccolpo.

Prestare particolare attenzione ai rami in tensione. Non tagliare da sotto i rami non sorretti.

Durante la sramatura, non sostare sul tronco abbattuto.

### Tagli a perforazione e tagli paralleli alla fibratura

#### ATTENZIONE

- I tagli a perforazione e i tagli paralleli alla fibratura possono essere eseguiti esclusivamente da personale preparato. La possibilità di contraccolpi rappresenta un serio rischio di lesioni.

Eseguire i tagli paralleli alla fibratura con un'angolazione il più ridotta possibile. Poiché non è possibile utilizzare gli artigli, eseguire il taglio con la massima attenzione.

(Fig. 25)

## Abbattimento

### ATTENZIONE

- L'abbattimento deve essere eseguito solo da personale preparato, poiché si tratta di un'operazione pericolosa.

Per l'abbattimento di un albero, osservare i regolamenti nazionali vigenti. (Fig. 26)

- Prima di iniziare l'abbattimento, verificare che:
  - (1) Nell'area di lavoro siano presenti solo gli addetti;
  - (2) Tutti gli addetti dispongano di una via di scampo priva di ostacoli entro un'angolazione di circa 45° nella direzione opposta a quella di caduta.  
Considerare il rischio aggiuntivo della presenza di cavi elettrici sulla via di scampo;
  - (3) La base del tronco sia priva di oggetti estranei, radici e rami;
  - (4) Non siano presenti persone o oggetti per una distanza pari a 2,5 volte l'altezza dell'albero nella direzione di caduta.
- In riferimento al singolo albero da abbattere, tenere in considerazione i seguenti fattori:
  - Direzione di inclinazione;
  - Rami sparsi o secchi;
  - Altezza dell'albero;
  - Sporgenze naturali;
  - Condizioni dell'albero (marcio).
- Considerare la velocità e la direzione del vento. Non abbattere alberi in presenza di raffiche di vento eccessive.
- Taglio delle cordonature delle radici: iniziare con le cordonature grosse. Eseguire prima il taglio verticale, poi quello orizzontale. (Fig. 27)
- Tagliare la tacca: essa determina la direzione di caduta dell'albero e lo guida. Deve essere eseguita sul lato in cui deve cadere l'albero. Eseguire la tacca il più vicino possibile al suolo. Eseguire prima il taglio orizzontale a una profondità da 1/5 a 1/3 del diametro del tronco. Non incidere una tacca troppo ampia. Infine, eseguire il taglio diagonale.
- Eventuali correzioni alla tacca devono essere eseguite su tutta la sua ampiezza. (Fig. 28)
- Eseguire il taglio di abbattimento (sul lato opposto) leggermente sopra quello orizzontale della tacca. Il taglio di abbattimento deve essere esattamente orizzontale. Tra il taglio di abbattimento e la tacca lasciare circa 1/10 del diametro del tronco. Le fibre di legno della porzione non tagliata fungono da cerniera. Non tagliare la cerniera durante il taglio di abbattimento, poiché l'albero potrebbe cadere senza controllo. Inserire tempestivamente dei cunei nella tacca.
- Usare solo cunei di plastica o alluminio. È vietato l'uso di cunei di acciaio.
- Mantenersi lateralmente all'albero. Mantenere libera l'area di lavoro posteriormente all'albero con un'angolazione di 45° nella direzione opposta a quella di caduta (vedere la figura relativa alla "zona di abbattimento"). Prestare attenzione ai rami in caduta.

## MANUTENZIONE

### ATTENZIONE

- Prima di effettuare controlli o operazioni di manutenzione, verificare sempre che l'utensile sia spento e scollegato.
- Durante i controlli e la manutenzione indossare sempre i guanti protettivi.

Eseguire la manutenzione descritta di seguito a intervalli regolari. Le richieste di assistenza in garanzia sono valide solo se le operazioni seguenti vengono eseguite correttamente e regolarmente.

L'utente può eseguire esclusivamente gli interventi di manutenzione descritti nel presente manuale. Gli interventi non esplicitamente indicati devono essere eseguiti da un riparatore autorizzato MAKITA.

### Pulizia della motosega

Pulire con regolarità la sega usando un panno pulito. In particolare, rimuovere tracce di olio dalle impugnature.

### Verifica della scocca in plastica

Eseguire controlli visivi regolari su tutte le parti della scocca. In presenza di parti danneggiate, farle riparare immediatamente da un riparatore autorizzato MAKITA.

### Affilatura della catena

#### ATTENZIONE

- Per eseguire lavori sulla catena, scollegare sempre la spina e indossare guanti protettivi. (Fig. 29)

#### Affilare la catena se:

- Il taglio di legno bagnato produce segatura farinosa;
- La catena penetra nel legno con difficoltà, anche applicando una forte pressione;
- Il tagliente delle maglie è visibilmente danneggiato;
- La sega vira a destra o sinistra nel ceppo di legno. Tale comportamento è causato da un'affilatura non uniforme della catena o a rotture su un solo lato.

#### Affilare la catena con una certa frequenza, ma a ogni affilatura asportare solo una superficie ridotta.

Per un'affilatura ordinaria, sono sufficienti due o tre colpi di lima.

Dopo diverse affilature, far affilare la catena da un riparatore autorizzato MAKITA.

#### Criteri di affilatura:

- Le lame devono avere la stessa lunghezza (dimensione A). Lame di lunghezza diversa non consentono un corretto funzionamento della catena e possono essere causa della sua rottura.
- Non affilare più la lama quando la lunghezza di taglio rimasta è di 3 mm. In tal caso, montare una catena nuova.
- Lo spessore dei trucioli è determinato dalla distanza esistente tra il limitatore di profondità (dentino) e il tagliente. I migliori risultati di taglio si ottengono con una distanza di 0,5 mm tra il tagliente e il dentino. (Fig. 30)



## AVVERTENZA

- Una distanza eccessiva accresce il rischio di contraccolpo.
- L'angolo di affilatura di 30° deve essere uguale per tutte le lame. Eventuali differenze di angolarità provocano un funzionamento irregolare dell'utensile, maggiore usura e più frequenti rotture della catena.
- L'angolo di inclinazione laterale di 80° della lama è determinato dalla profondità di penetrazione della lima tonda. Se la lima specifica viene utilizzata in modo corretto, si ottiene automaticamente l'angolarità di inclinazione laterale richiesta. **(Fig. 31)**

## Lima e guida della lima (Fig. 32 - 34)

- Per affilare la catena, utilizzare una lima tonda (accessorio opzionale) specifica avente un diametro di 4,5 mm. Non è possibile utilizzare le normali lime tonde.
- La lima deve passare sul materiale solo nel colpo in avanti. Sollevare la lima dal materiale nel percorso di ritorno.
- Limare innanzitutto la lama più corta. La sua lunghezza verrà presa come riferimento di profondità per tutte le altre lame della catena.
- Guidare la lima come mostrato in figura. L'uso della lima può essere ottimizzato utilizzando un affilatore (accessorio opzionale).
- L'affilatore presenta dei segni di riferimento per eseguire un corretto angolo di affilatura di 30° (allineare i segni parallelamente alla catena); esso limita inoltre la profondità di penetrazione (a 4/5 del diametro della lima).
- Dopo l'affilatura, verificare l'altezza del limitatore di profondità utilizzando un calibro di profondità (accessorio opzionale).
- Rimuovere eventuale materiale sporgente, benché di minima entità, utilizzando una speciale lima piatta (accessorio opzionale).
- Arrotondare nuovamente il bordo anteriore del dentino.

## Pulizia della barra di guida e lubrificazione del pignone

### ATTENZIONE

- Per questa operazione indossare sempre guanti protettivi. Le bave prodotte possono causare lesioni. **(Fig. 35)**

Verificare regolarmente che le superficie mobili della barra di guida non siano danneggiate. Pulire utilizzando un apposito utensile e, se necessario, rimuovere le bave. Se la motosega è sottoposta a un uso frequente, lubrificare il cuscinetto del pignone almeno una volta alla settimana. Prima di aggiungere grasso nuovo, pulire accuratamente il foro da 2 mm sulla punta della barra di guida, quindi forzare nel foro una piccola quantità di grasso tipo multipurpose (accessorio opzionale).

## Pulizia della guida dell'olio (Fig. 36)

- Pulire la scanalatura dell'oliatore e il foro di lubrificazione della barra di guida a intervalli regolari.

## Pulizia del filtro dell'olio sul foro di uscita

Durante l'uso della motosega è possibile la formazione di accumuli di polvere o particelle estranee sul foro di uscita del filtro dell'olio.

Tali accumuli possono ostruire il flusso dell'olio e causare una lubrificazione insufficiente della catena.

Se si rileva una lubrificazione insufficiente sulla punta della barra di guida, pulire il filtro come descritto di seguito.

Staccare la motosega dalla corrente.

Rimuovere il carter del pignone e la catena (fare riferimento alla sezione "Montaggio e smontaggio della catena").

Rimuovere il dado utilizzando un cacciavite a testa piatta con gambo sottile o utensile simile. **(Fig. 37)**

Estrarre il filtro dalla motosega ed eliminare la sporcizia e gli accumuli di qualsiasi genere.

Se il filtro è troppo ostruito, sostituirlo.

Collegare la motosega alla corrente. **(Fig. 38)**

Tirare il grilletto interruttore per liberare o sporcizia il foro di uscita scaricando il flusso d'olio.

Staccare la motosega dalla corrente. **(Fig. 39)**

Inserire il filtro pulito nel foro di scarico. Se il filtro è troppo ostruito, sostituirlo. **(Fig. 40)**

Per fissare il filtro, inserire il dado con il lato corretto rivolto in alto (vedere figura) nel foro di uscita dell'olio. Se non è possibile fissare il filtro a causa di un dado deformato, sostituire il dado.

Riposizionare il carter del pignone e la catena sulla motosega. **(Fig. 41)**

## Catene nuove

Alternare due o tre catene, in modo che la catena, il pignone e le superficie mobili si usurino uniformemente.

Affinché la scanalatura della barra di guida si usuri in modo uniforme, rovesciare la barra quando si sostituisce la catena.

### ATTENZIONE

- Utilizzare solo catene e barre omologate per questo modello di motosega (vedere la sezione "DATI TECNICI"). **(Fig. 42)**

Prima di montare la nuova catena, verificare lo stato del pignone.

### ATTENZIONE

- Un pignone usurato provoca danni alla nuova catena. In tal caso, far sostituire il pignone.

Quando si sostituisce il pignone, montare sempre una nuova ghiera di serraggio.

## Manutenzione del freno catena e del freno motore

I sistemi di frenatura sono elementi di sicurezza molto importanti. Come qualsiasi altro componente della motosega, sono soggetti a usura. Devono pertanto essere controllati regolarmente da un riparatore autorizzato

MAKITA. Tale disposizione è diretta a salvaguardare l'incolumità dell'operatore.

## Immagazzinaggio

L'olio biodegradabile per catena può essere conservato per un periodo limitato.

A due anni dalla produzione, gli oli di questo tipo acquisiscono una certa viscosità che provoca danni alla pompa dell'olio e ai componenti del sistema di lubrificazione.

- Se la motosega non viene utilizzata per lunghi periodi, svuotare il serbatoio dell'olio e riempirlo con una piccola quantità di olio per motori (SAE 30).
- Accendere la motosega per qualche secondo e far espellere i residui di olio biodegradabile dal serbatoio, dal sistema di lubrificazione e dall'ingranaggio della sega.

**Quando si ripone la motosega, piccole quantità di olio per catena fuoriescono dalla scossa per un breve periodo. Si tratta di un fenomeno normale e non è un segnale di guasto.**

Conservare la motosega su una superficie idonea.

Prima di riutilizzare la motosega, riempire il serbatoio con olio per catena nuovo BIOTOP.

Per mantenere la SICUREZZA e l'AFFIDABILITÀ del prodotto, le riparazioni e qualsiasi altra operazione di manutenzione o regolazione devono essere eseguite dai centri di assistenza autorizzati Makita utilizzando sempre parti di ricambio originali.

## ACCESSORI

### ATTENZIONE

- I seguenti accessori sono suggeriti per l'uso con l'utensile Makita descritto in questo manuale. L'uso di qualsiasi altro accessorio può determinare il rischio di lesioni personali. Utilizzare gli accessori esclusivamente per l'uso specificato.

Per assistenza e ulteriori informazioni su tali accessori, rivolgersi al centro di assistenza locale Makita.

- Catena
- Copribarra
- Barra di guida (completa)
- Calibro di profondità
- Lima tonda 4,5 mm
- Lima piatta
- Affilatore con lima da 4,5 mm
- Manico per lima
- Olio per catena 1 l BIOTOP
- Olio per catena 5 l BIOTOP
- Grasso multipurpose
- Ingrassatore

## NEDERLANDS

### Meegeleverde onderdelen

- |                                  |                                     |                                |
|----------------------------------|-------------------------------------|--------------------------------|
| 1. Achterhandgreep               | 7. Zaagketting                      | 12. Getande kam (klauwaanslag) |
| 2. Aan/uit-schakelaar            | 8. Hendel                           | 13. Uit-vergrendelknop         |
| 3. Olievuldop                    | 9. Afdekking van kettingwiel        | 14. Kettingvanger              |
| 4. Voorhandgreep                 | 10. Oliepeilglas                    | 15. Schede van het zaagblad    |
| 5. Beschermpak van voorhandgreep | 11. Beschermpak van achterhandgreep |                                |
| 6. Zaagblad                      |                                     |                                |

### Verklaring van het onderdelenoverzicht

- |                              |                                   |                             |
|------------------------------|-----------------------------------|-----------------------------|
| 1. Uit-vergrendelknop        | 11. Vastdraaien                   | 21. Peilglas                |
| 2. Aan/uit-schakelaar        | 12. Hendel                        | 22. Getande kam             |
| 3. Indrukken                 | 13. Laag                          | 23. Werkgebied              |
| 4. Losdraaien                | 14. Hoog                          | 24. Olietoevoergleuf        |
| 5. Afdekking van kettingwiel | 15. Zaagblad                      | 25. Olietoevoergat          |
| 6. Stelknop                  | 16. Zaagketting                   | 26. Drukdop                 |
| 7. Stelpen                   | 17. Olievuldop                    | 27. Platkopschroevendraaier |
| 8. Haak                      | 18. Beschermpak van voorhandgreep | 28. Oliefilter              |
| 9. Opening                   | 19. Vergrendelen                  | 29. Tandwiel                |
| 10. Klein gat                | 20. Ontgrendelen                  |                             |

## TECHNISCHE GEGEVENS

Model	UC3020A	UC3520A	UC4020A
Max. kettingsnelheid (m/s)	13,3		
Zaagbladlengte	300 mm	350 mm	400 mm
Zaagketting	Type	90SG	
	Steek	3/8"	
Geluidsvermogeniveau L WA gem. dB (A) volgens EN 50144 -1 <sup>1)</sup>	105,3		
Geluidsdruk niveau L pA gem. dB (A) op de werkplek volgens EN 50144 -1 <sup>1)</sup>	92,3		
Trillingsversnelling a <sub>h,w</sub> gem. volgens ISO 50144-2-13 <sup>1)</sup> - Voorhandgreep m/s <sup>2</sup>	3,4		3,9
- Achterhandgreep m/s <sup>2</sup>	4,0		4,5
Oliepomp	Automatisch		
Inhoud olietank (l)	0,20		
Krachtoverbrenging	Direct		
Kettingrem	Handbediend		
Uitlooprem	Mechanisch		
Totale lengte (zonder zaagblad)	436 mm		
Netto gewicht	3,8 kg		
Verlengsnoer (los verkrijgbaar)	DIN 57282/HO 7RN -F L=30 m max., 3 x 1,5 mm <sup>2</sup>		

1) De gegevens kennen hetzelfde gewicht toe aan de bedrijfsomstandigheden onder vollast en bij maximale snelheid.

- Als gevolg van ons doorlopende onderzoeks- en ontwikkelingsprogramma, zijn de technische gegevens van dit gereedschap onderhevig aan veranderingen zonder voorafgaande kennisgeving.
- Opmerking: De technische gegevens kunnen van land tot land verschillen.

### Symbolen

END218-1

Hieronder staan de symbolen die voor dit gereedschap worden gebruikt. Zorg ervoor dat u weet wat ze betekenen alvorens het gereedschap te gebruiken.



..... DUBBEL GEÏSOLEERD



..... Lees de gebruiksaanwijzing en volg de waarschuwingen en veiligheidsinstructies op.



..... Let op: bijzondere voorzichtigheid en aandacht vereist!

# AANVULLENDE VEILIGHEIDSVoORSCHRIFTEN

ENB098-1

-  ..... Let op: trek de stekker onmiddellijk uit het stopcontact als het netsnoer beschadigd is!
-  ..... Let op: terugslag!
-  ..... Bescherm tegen regen en vocht!
-  ..... Draag een veiligheidshelm, veiligheidsbril en oorbescherming!
-  ..... Draag veiligheidshandschoenen!
-  ..... Trek de stekker uit het stopcontact!
-  ..... EHBO
-  ..... Recyclen
-  ..... CE-symbool
-  ..... Maximaal toelaatbare lengte van zaagsnede
-  ..... Draairichting van de ketting
-  ..... Kettingolie
-  ..... Kettingrem los/vast gezet
-  ..... Verboden!

## Gebruiksdoelinden

Het gereedschap is bedoeld om stammen te zagen.

## Voeding

Het gereedschap mag uitsluitend worden aangesloten op een voeding met dezelfde spanning als aangegeven op het identificatieplaatje en werkt alleen op enkele-fase wisselstroom. Het gereedschap is dubbel geïsoleerd volgens de Europese norm en mag derhalve ook op een niet-geaard stopcontact worden aangesloten.

## Voor het openbare laagspanningsnet van 220 V t/m 250 V.

Het in- en uitschakelen van elektrische apparatuur veroorzaakt spanningsfluctuaties. Het gebruik van dit gereedschap terwijl het elektriciteitsnet in een slechte toestand verkeert, kan de werking van andere apparatuur nadelig beïnvloeden. Als de netweerstand lager is dan 0,35 ohm, mag u ervan uitgaan dat geen nadelige effecten optreden. Het stopcontact waarop dit gereedschap is aangesloten moet zijn beveiligd met een zekering of veiligheidsstroomonderbreker met trage uitschakeling.

1. Lees de gebruiksaanwijzing om uzelf bekend te maken met de bediening van de kettingzaag.
2. Alvorens de kettingzaag voor het eerst te gebruiken dient u de bediening ervan uitgelegd te krijgen. Als dat niet mogelijk is, moet u eerst proefzagen met ronde stammen op een bok voordat u daadwerkelijk met de kettingzaag werkt.
3. De kettingzaag mag niet worden gebruikt door kinderen of jeugd jonger dan 18 jaar. Jongeren ouder dan 16 jaar kunnen uitgezonderd worden van deze regel mits zijn les krijgen onder toezicht van een expert.
4. Werken met een kettingzaag vereist een hoge mate van concentratie. Werk niet met een kettingzaag als u zich niet 100% fit voelt. Werk altijd rustig en voorzichtig.
5. Werk nooit onder invloed van alcohol, drugs of medicijnen.

## Juist gebruik

1. De kettingzaag is uitsluitend bedoeld voor het zagen van hout. Gebruik hem niet voor het zagen van bijvoorbeeld kunststof of poreus beton.
2. Gebruik de kettingzaag uitsluitend voor bedieningen die beschreven staan in deze gebruiksaanwijzing. Gebruik hem bijvoorbeeld niet voor het snoeien van hagen of soortgelijke werkzaamheden.
3. De kettingzaag mag niet worden gebruikt voor bosbouwwerkzaamheden, bijv. voor het omzagen en takken afzagen van staande bomen. Door het netsnoer van de kettingzaag heeft de gebruiker niet de mobiliteit en veiligheid die noodzakelijk zijn voor dergelijk werk.
4. De kettingzaag is niet bedoeld voor commercieel gebruik.
5. Overbelast de kettingzaag niet.

## Persoonlijke-veiligheidsmiddelen

1. Kleding moet nauwsluitend zijn, maar de bewegelijkheid niet belemmeren.
2. Draag de volgende beschermende kleding tijdens het werk:
  - Een goedgekeurde veiligheidshelm, als er gevaar bestaat voor vallende takken en dergelijke;
  - Een gezichtsmasker of veiligheidsbril;
  - Geschikte gehoorbescherming (oorschelpen, of aangepaste of kneedbare oordoppen). Octaafbandanalyse op verzoek beschikbaar;
  - Stevige, lederen veiligheidshandschoenen;
  - Lange broek gemaakt van een sterke stof;
  - Veiligheidsoverall van snijbestendige stof;
  - Veiligheidsschoenen met antislipzolen, stalen neus en snijbestendige, stoffen voering;
  - Een mondmasker, indien tijdens het werk stof wordt geproduceerd (bijv. bij het zagen van droog hout).

## Beveilig uzelf tegen elektrische schokken



De kettingzaag mag niet worden gebruikt tijdens nat weer of in een vochtige omgeving omdat de elektromotor niet waterdicht is.

1. **Steek de stekker van de kettingzaag alleen in een geaard stopcontact van een getest elektrisch circuit. Controleer dat de netspanning overeenkomt met die op het typeplaatje. Zorg ervoor dat het stopcontact op een groep zit met een zekering van 16 A. Als de kettingzaag in de open lucht wordt gebruikt, moet deze zijn aangesloten op een op reststroom werkende stroomonderbreker die in werking treedt bij een reststroom van maximaal 30 mA.**



Als het netsnoer of verlengsnoer beschadigd raakt, moet u onmiddellijk de stekker uit het stopcontact trekken.

## Veilige werkmethoden

1. **Alvorens met het werk te beginnen, controleert u dat de kettingzaag zich in goede werkende staat bevindt, en dat deze voldoet aan de veiligheidsregels. Controleer met name dat:**
  - De kettingrem goed werkt;
  - De uitlooprem goed werkt;
  - Het zaagblad en de afdekking van het kettingwiel goed zijn gemonteerd;
  - De ketting is geslepen en gespannen overeenkomstig de regels;
  - Het netsnoer en de stekker niet beschadigd zijn;
- Raadpleeg het hoofdstuk "CONTROLES".
2. Zorg er met name altijd voor dat het gebruikte verlengsnoer de juiste dwarsdoorsnede heeft (zie "TECHNISCHE GEGEVENS"). Bij gebruik van een kabelhaspel moet u het snoer helemaal uittrollen. Bij gebruik van de kettingzaag in de open lucht, controleert u dat het gebruikte snoer geschikt is voor gebruik in de open lucht en als zodanig is gemarkeerd.
3. Gebruik de kettingzaag niet in de buurt van brandbaar stof of gas aangezien de motor vonken kan produceren en explosiegevaar oplevert.
4. Werk uitsluitend op een vaste ondergrond en terwijl u stevig staat. Let met name goed op obstakels (bijv. het snoer) in het werkgebied. Let met name goed op plaatsen waar vocht, ijs, verse houtsnippers of schors de ondergrond glad kunnen maken. Gebruik de kettingzaag niet terwijl u op een ladder of in een boom staat.
5. Let met name goed op wanneer u op een schuine ondergrond staat omdat rillende stammen en takken een gevaarlijke situatie kunnen opleveren.
6. Zaag nooit boven schouderhoogte (zie afb. 1).
7. Houd de kettingzaag met beide handen vast bij het inschakelen en tijdens gebruik. Houd de achterhandgreep met uw rechterhand vast en de voorhandgreep met uw linkerhand. Houd de handgrepen stevig vast met uw duim. Het zaagblad en

de zaagketting mogen met geen enkel voorwerp in aanraking zijn op het moment dat de kettingzaag wordt ingeschakeld.

8. Verwijder vreemde voorwerpen, zoals zand, stenen, spijkers, draad, enz., uit het gebied waarin wordt gezaagd. Vreemde voorwerpen beschadigen het zaagblad en de zaagketting, en kunnen gevaarlijke terugslag veroorzaken.
9. Wees met name voorzichtig wanneer u zaagt in de buurt van afrasteringen. Raak de afrastering niet met de kettingzaag want hierdoor kan een terugslag ontstaan.
10. Raak de grond niet met de kettingzaag.
11. Zaag alleen enkele stukken hout en geen bundels of stapels.
12. Vermijd het zagen van dunne takjes en wortels omdat deze in de kettingzaag verstrengeld kunnen raken. Hierdoor kunt u uw evenwicht verliezen.
13. Gebruik een stabiele ondersteuning (bok) wanneer u in gezaagd hout zaagt.
14. Gebruik de kettingzaag niet voor het los peuteren of wegvegen van **stukjes hout en andere voorwerpen**.
15. Houd de kettingzaag zodanig vast dat geen enkel lichaamsdeel van u in **het verlengde van de lijn van de zaagketting ligt** (zie afb. 2).
16. Bij het verplaatsen tussen twee zaagsneden, gebruikt u de kettingrem om te voorkomen dat de ketting per ongeluk in werking wordt gesteld. Houd de kettingzaag bij het dragen vast aan de voorhandgreep en houdt uw vinger daarbij niet om de aan/uitschakelaar. Trek de stekker uit het stopcontact wanneer u een pauze neemt of de kettingzaag alleen achterlaat. Leg de kettingzaag neer op een plaats waar deze geen gevaar oplevert.
17. Trek de stekker uit het stopcontact wanneer u een pauze neemt of de kettingzaag alleen achterlaat. Leg de kettingzaag neer op een plaats waar deze geen gevaar oplevert.

## Terugslag


1. Tijdens het gebruik van de kettingzaag kan een gevaarlijke terugslag optreden. Een terugslag treedt op wanneer de punt van het zaagblad (met name het laatste kwart) in aanraking komt met hout of een ander massief voorwerp. Hierdoor zal de kettingzaag in de richting van de gebruiker worden gedwongen (zie afb. 3).
2. Let op de volgende punten om terugslag te voorkomen:
  - Begin een zaagsnede nooit met de punt van het zaagblad.
  - Gebruik de punt van het zaagblad niet om te zagen. Let met name goed op wanneer u verder gaat zagen in een reeds gemaakte zaagsnede.
  - Begin te zagen met draaiende ketting.
  - Slijp de ketting altijd op de juiste wijze. Stel vooral de dieptevoeler in op de juiste hoogte (zie "De ketting slijpen" voor meer informatie).
  - Zaag nooit door meerdere takken tegelijk.
  - Let er bij het afzagen van takken op dat het zaagblad niet in aanraking komt met andere takken.

- Houd bij het afzagen afstand tot andere stammen in de buurt. Kijk altijd naar de punt van het zaagblad.
- Gebruik een bok.

## Veiligheidsvoorzieningen

1. Controleer altijd dat de veiligheidsvoorzieningen in werkende staat verkeren alvorens met het werk te beginnen. Gebruik de kettingzaag niet als de veiligheidsvoorzieningen niet goed werken.
- **Kettingrem:**  
De kettingzaag is uitgerust met een kettingrem die de zaagketting binnen een fractie van een seconde tot stilstand brengt. De kettingrem wordt in werking gesteld wanneer de beschermkap van de voorhandgreep naar voren wordt geduwd. De zaagketting staat dan binnen 0,15 seconde stil en de voeding naar de motor wordt onderbroken.
  - **Uitlooprem: (zie afb. 4)**  
De kettingzaag is uitgerust met een uitlooprem die de zaagketting onmiddellijk tot stilstand brengt wanneer de aan/uit-schakelaar wordt losgelaten. Hierdoor wordt voorkomen dat de zaagketting blijft draaien terwijl de kettingzaag is uitgeschakeld, zodat gevaarlijke situaties worden voorkomen.
    - De **beschermkappen van de voor- en achterhandgrepen** beschermen de gebruiker tegen verwondingen door houtsnippers die naar achteren kunnen worden geworpen, of door een gebroken zaagketting.
    - De uit-vergrendeling voorkomt dat de kettingzaag per ongeluk wordt ingeschakeld.
    - De **kettingvanger** beschermt de gebruiker tegen verwonding in het geval dat de ketting springt of breekt.

## Vervoer en opslag

 ..... Wanneer de kettingzaag niet in gebruik is of wordt vervoerd, trekt u de stekker uit het stopcontact en plaatst u de schede om het zaagblad. Draag of vervoer de kettingzaag nooit met draaiende zaagketting.

1. Draag de kettingzaag aan alleen de voorhandgreep met het zaagblad naar achteren gericht.
2. Bewaar de kettingzaag op een veilige, droge en afgesloten plaats, buiten het bereik van kinderen. Bewaar de kettingzaag niet buitenshuis.

## Onderhoud

1. Trek de stekker uit het stopcontact alvorens enige instel- of onderhoudswerkzaamheden uit te voeren.
2. Controleer het netsnoer regelmatig op beschadiging van de isolatie.
3. Maak de kettingzaag regelmatig schoon.
4. Laat eventuele beschadiging van de kunststof behuizing onmiddellijk en vakkundig repareren.
5. Gebruik de kettingzaag niet als de aan/uit-schakelaar niet goed werkt. Laat deze eerst vakkundig repareren.

6. Onder geen beding mag de kettingzaag op enigerlei wijze worden veranderd. Uw veiligheid staat op het spel.
7. Voer geen onderhouds- of reparatiewerkzaamheden uit anders dan beschreven in deze gebruiksaanwijzing. Alle andere werkzaamheden moeten worden uitgevoerd door Makita Service.
8. Gebruik uitsluitend originele MAKITA- vervangingsonderdelen en -accessoires die ontworpen zijn voor uw model kettingzaag. Als u andere onderdelen gebruikt, wordt de kans op een ongeval vergroot.
9. MAKITA accepteert geen aansprakelijkheid voor ongevallen of schade in geval een niet-goedgekeurd zaagblad, zaagketting of ander vervangingsonderdeel of accessoire wordt gebruikt. Raadpleeg "Verkorte vervangingsonderdelenlijst" voor goedgekeurde zaagbladen en -kettingen.

## EHBO



..... Werk niet alleen. Werk altijd binnen hoorafstand van iemand anders.

1. Houd altijd een EHBO-does bij de hand. Vervang de verbruikte items uit de EHBO-does onmiddellijk.
2. Mocht u hulp nodig hebben na een ongeval, vermeldt het volgende:
  - Waar vond het ongeval plaats?
  - Wat is er gebeurd?
  - Hoeveel gewonden zijn er?
  - Welke verwondingen hebben zij?
  - Wie meldt het ongeval?

### OPMERKING:

Personen met een slechte bloedsomloop die worden blootgesteld aan sterke trillingen, kunnen verwondingen aan bloedvaten of het zenuwstelsel oplopen.

Trillingen kunnen de volgende symptomen veroorzaken in de vingers, handen of polsen: "slapen" (ongevoeligheid), tintelen, pijn, stekend gevoel, veranderen van huidskleur of van de huid.

**Als een van deze symptomen zich voordoet, raadpleeg u uw huisarts!**

## BEWAAR DEZE VOORSCHRIFTEN

## BESCHRIJVING VAN DE FUNCTIES

### LET OP:

- Controleer altijd of het gereedschap is uitgeschakeld en de stekker uit het stopcontact is getrokken alvorens de functies van het gereedschap te controleren of af te stellen.

### In- en uitschakelen (zie afb. 5)

### LET OP:

- Controleer altijd, voordat u de stekker in het stopcontact steekt, of de aan/uit-schakelaar op de

juiste manier schakelt en weer terugkeert naar de uitstand nadat deze is losgelaten.

Om te voorkomen dat de aan/uit-schakelaar per ongeluk wordt bediend, is een uit-vergrendelknop aangebracht.

Om het gereedschap te starten, drukt u de uit-vergrendelknop in en knijpt u de aan/uit-schakelaar in.

Laat de aan/uit-schakelaar los om het gereedschap te stoppen

## ONDERDELEN AANBRENGEN/ VERWIJDEREN

### LET OP:

- Controleer altijd of het gereedschap is uitgeschakeld en de stekker uit het stopcontact is getrokken alvorens enige werk aan het gereedschap uit te voeren.

### De zaagketting monteren en verwijderen

#### LET OP:

- Zorg er altijd voor dat het gereedschap is uitgeschakeld en de stekker uit het stopcontact is getrokken, voordat u de zaagketting monteert of verwijdert.
  - Draag altijd handschoenen tijdens het monteren of verwijderen van de zaagketting.
1. Om de zaagketting te verwijderen, zet u de hendel rechtop (**zie afb. 6**).
  2. Druk de hendel in en draai de ingedrukte hendel linksom om de moer los te draaien tot de afdekking van het kettingwiel los komt. (Door de hendel in te drukken grijpt deze aan op de moer.)
  3. Draai de stelknop linksom om de spanning van de zaagketting af te halen.
  4. Verwijder de afdekking van het kettingwiel.
  5. Haal de zaagketting en zaagblad van de kettingzaag af.
  6. Om de zaagketting te monteren, plaatst u een uiteinde van de zaagketting rond de voorkant van het zaagblad en het andere uiteinde rond het kettingwiel (**zie afb. 7**).

Monteer op dat moment de zaagketting zoals aangegeven in de afbeelding omdat deze draait in de richting van de pijl.

7. Leg het zaagblad op zijn plaats op de kettingzaag.
8. Draai de stelknop linksom zodat de stelpen in de richting van de pijl verschuift (**zie afb. 8**).
9. Leg de afdekking van het kettingwiel op de kettingzaag zodanig dat de haak op de achterrand van de afdekking in de opening van de kettingzaag valt en de stelpen in een klein gat in het zaagblad steekt (**zie afb. 9**).
10. Druk de hendel in en draai de ingedrukte hendel zo ver mogelijk rechtsom om de moer vast te draaien. Draai daarna de hendel een kwart slag linksom om de moer iets los te draaien (**zie afb. 10**).

### De kettingspanning instellen

De zaagketting kan na vele gebruiksuren los gaan zitten. Controleer regelmatig de kettingspanning vóór gebruik.

Zet de hendel rechtop (**zie afb. 11**).

Druk de hendel in. Draai de ingedrukte hendel een kwart slag linksom om de moer iets los te draaien. (Door de hendel in te drukken grijpt deze aan op de moer.)

(**zie afb. 12**)

Draai de stelknop om de kettingspanning in te stellen. Pak de zaagketting in het midden van het zaagblad vast en trek deze omhoog. De opening tussen het kettingwiel en de rand van het zaagblad moet ongeveer 2 tot 4 mm zijn. Als de opening niet ongeveer 2 tot 4 mm is, draait u de instelknop waarmee het zaagblad is vastgezet iets. Zorg ervoor dat tijdens het instellen de punt van het zaagblad iets omhoog wijst (**zie afb. 13**).

Draai de ingedrukte hendel zo ver mogelijk rechtsom om de moer stevig vast te draaien (**zie afb. 14**).

Zet de hendel terug in de oorspronkelijke stand (**zie afb. 15**).

#### LET OP:

- Door een buitensporig hoge kettingspanning kan de zaagketting breken, het zaagblad slijten en de stelknop afbreken.
- Het monteren en verwijderen van de zaagketting dient te gebeuren op een schone plaats zonder zaagsel, enz.

## BEDIENING

### Smeren

#### LET OP:

- Zorg er altijd voor dat het gereedschap is uitgeschakeld en de stekker uit het stopcontact is getrokken, voordat u de zaagketting smeert.

Smeer de zaagketting en het zaagblad met een biologisch afbreekbare zaagkettingolie met een hechttoevoeging. De hechttoevoeging in de zaagkettingolie voorkomt dat de olie te snel van de zaagketting afvliegt. Minerale olie mag niet worden gebruikt vanwege het schadelijke effect op het milieu (**zie afb. 16**).

#### LET OP:

- Vermijd dat de olie in aanraking komt met uw huid en ogen. Olie in het oog veroorzaakt irritatie. In het geval de olie in het oog komt, moet u het betreffende oog onmiddellijk spoelen met schoon water en direct een huisarts raadplegen.
- Gebruik nooit afvalolie. Afvalolie bevat kankerverwekkende bestanddelen. De verontreiniging in afvalolie veroorzaakt een versnelde slijtage van de oliepomp, het zaagblad en de zaagketting. Afvalolie is schadelijk voor het milieu.
- Wanneer u de kettingzaag voor het eerst vult met zaagkettingolie, of de olietank bijvult nadat deze geheel leeg is geraakt, vult u olie bij tot aan de onderrand van de vulnek. Anders kan de olietoevoer gehinderd worden.

Maak het gebied rond de olievuldop, aangegeven in de afbeelding, grondig schoon om te voorkomen dat vuil in de olietank kan komen (**zie afb. 17**).

Draai de olievuldop eraf en vul olie bij tot aan de onderrand van de vulnek.

Draai de olievuldop stevig terug op zijn plaats.

Veeg eventueel gemorste olie zorgvuldig weg.

Als de kettingzaag voor het eerst wordt gebruikt, kan het maximaal twee minuten duren voordat de zaagkettینگolie het zaagmechanisme begint te smeren. Laat gedurende deze tijd de kettingzaag onbelast draaien (zie "CONTROLES").

De inhoud van de olietank (200 ml) is voldoende voor ongeveer 30 minuten gebruik.

## CONTROLES

Alvorens met het werk te beginnen, voert u de volgende controles uit:

**De kettingspanning controleren (zie afb. 18)**

### WAARSCHUWING:

- Trek altijd de stekker uit het stopcontact voordat u de kettingspanning controleert en draag daarbij een veiligheidsbril.

De zaagketting staat op de juiste spanning wanneer deze strak langs de onderkant van het zaagblad loopt en aan de bovenkant van het zaagblad met geringe kracht ongeveer 2 tot 4 mm kan worden opgetild.

Controleer de kettingspanning veelvuldig omdat een nieuwe ketting door gebruik langer wordt. Een te slappe ketting kan van het zaagblad af lopen en verhoogt daarmee de kans op een ongeval.

Als de ketting te slap staat, raadpleegt u het tekstdeel getiteld "De kettingspanning instellen" en stelt u de kettingspanning opnieuw in.

**De werking van de aan/uit-schakelaar controleren**

### LET OP:

Trek altijd de stekker uit het stopcontact voordat u de aan/uit-schakelaar controleert. Het is verboden de aan/uit-schakelaar in de aan-stand te vergrendelen. Het mag niet mogelijk zijn de aan/uit-schakelaar in te drukken zonder eerst de uit-vergrendelknop in te drukken.

De aan/uit-schakelaar mag niet klem komen te zitten in de ingedrukte aan-stand. Nadat de aan/uit-schakelaar is losgelaten, moet deze automatisch terugkeren naar de uit-stand, en moet de uit-vergrendelknop terugkeren naar de oorspronkelijke stand (zie afb. 19).

**De kettingrem controleren**

### OPMERKING:

- Als de kettingzaag niet kan worden gestart, moet u de kettingrem loszetten. Trek de beschermkap van de voorhandgreep naar achteren tot u voelt dat deze aangrijpt.

Houd de kettingzaag met beide handen vast bij het inschakelen. Houd de achterhandgreep met uw rechterhand vast en de voorhandgreep met uw linkerhand. Het zaagblad en de ketting mogen geen enkel voorwerp aanraken.

Druk eerst de uit-vergrendelknop in en knijp daarna de aan/uit-schakelaar in. De zaagketting begint onmiddellijk te draaien.

Duw de beschermkap van de voorhandgreep naar voren met de rug van uw hand. De zaagketting moet onmiddellijk tot stilstand komen (zie afb. 20).

### LET OP:

- Als de zaagketting niet onmiddellijk tot stilstand komt wanneer deze controle wordt uitgevoerd, mag de kettingzaag onder geen beding worden gebruikt. Neem contact op met een in MAKITA gespecialiseerde reparatiedienst.

**De uitlooprem controleren**

Schakel de kettingzaag in.

Laat de aan/uit-schakelaar helemaal los. De zaagketting moet binnen een seconde tot stilstand komen.

### LET OP:

- Als de zaagketting niet binnen een seconde tot stilstand komt wanneer deze controle wordt uitgevoerd, mag de kettingzaag niet worden gebruikt. Neem contact op met een in MAKITA gespecialiseerde reparatiedienst.

**De kettingsmeerinrichting controleren (zie afb. 21)**

Alvorens met het werk te beginnen, controleert u het oliepeil in de olietank en de olietoevoer.

Het oliepeil kan worden gecontroleerd door het peilglas aangegeven inde afbeelding.

Controleer de olietoevoer op de volgende manier:

Start de kettingzaag.

Terwijl de ketting draait, houdt u de zaagketting ongeveer 15 cm boven een boomstam of de grond. Als de smering voldoende is, zullen de oliespeters een dunne oliestreek vormen. Let op de windrichting en stel uzelf niet onnodig bloot aan de oliespeters.

### LET OP:

- Als geen oliestreek wordt gevormd, mag u de kettingzaag niet gebruiken. De levensduur van de zaagketting zal dan worden verkort. Controleer het oliepeil. Maak de olietoevoergroef en het olietoevoergat in het zaagblad schoon (raadpleeg "ONDERHOUD").

## WERKEN MET DE KETTINGZAAG

### Afzagen

Plaats bij het afzagen de getande kam op het hout waarin u wilt zagen, zoals aangegeven in de afbeelding (zie afb. 22).

Zaag met draaiende zaagketting in het hout en til de achterhandgreep op terwijl u met de voorhandgreep het zagen geleidt. Gebruik op deze manier de getande kam als scharnierpunt.

Vervolg de zaagsnede door licht op de voorhandgreep te drukken en de kettingzaag iets terug te trekken. Plaats de getande kam lager tegen het hout en til de voorhandgreep weer op.



Als u meerdere zaagsneden maakt, schakelt u de kettingzaag uit tussen de zaagsneden.

#### LET OP:

- Als de zaagketting langs de bovenrand van het zaagblad wordt gebruikt om te zagen, kan de kettingzaag in uw richting worden bewogen als de ketting klem komt te zitten. Om deze reden moet u met de onderrand van het zaagblad zagen zodat de kettingzaag van uw lichaam af wordt bewogen (zie afb. 23).

Als hout onder spanning staat, zaagt u eerst de kant met de trekkracht (A). Maak de eindsnede aan de kant met de duwkracht (B). Hiermee voorkomt u dat het zaagblad bekneld raakt (zie afb. 24).

## Takken afzagen

#### LET OP:

- Takken afzagen mag uitsluitend worden uitgevoerd door ervaren personen. Door het risico van terugslag kan een gevaarlijke situatie ontstaan.

Ondersteun bij het afzagen van takken zo mogelijk de kettingzaag op de boomstam. Zaag niet met de punt van het zaagblad omdat hierdoor de kans op terugslag ontstaat.

Let met name goed op bij takken die onder spanning staan. Zaag geen takken vanaf de onderkant als deze niet worden ondersteund.

Ga bij het afzagen van takken niet bovenop de omgezaagde boomstam staan.

## Inzagen en in de richting van de houtnerf zagen

#### LET OP:

- Inzagen en in de richting van de houtnerf zagen mag uitsluitend worden uitgevoerd door personen met speciale training. Het risico van terugslag vormt een kans op letsel.

Als u in de richting van de houtnerf zaagt, moet de hoek zo klein mogelijk zijn. Voer het zagen zo voorzichtig mogelijk uit, want de getande kam kan niet worden gebruikt (zie afb. 25).

## Omzagen

#### LET OP:

- Omzagen mag uitsluitend worden uitgevoerd door getrainde personen. Het werk is gevaarlijk.

Houd u aan de plaatselijke regelgeving als u een boom wilt omzagen (zie afb. 26).

- Voordat u met het omzagen begint, controleert u de volgende punten:
  - (1) Uitsluitend de personen die betrokken zijn bij het omzagen mogen zich in de buurt bevinden;
  - (2) Iedere betrokken persoon moet een ongehinderde vluchtroute hebben door een gebied van ongeveer 45° aan weerskanten van de vallijn. Let op het risico van struikelen over elektrische snoeren;
  - (3) De voet van de stam met vrij zagen van vreemde voorwerpen, wortels en takken;
  - (4) Binnen een afstand van 2 1/2 keer de lengte van de boom mogen zich geen personen of

voorwerpen bevinden in de richting waarin de boom zal vallen.

- Let met betrekking tot ieder boom op de volgende punten:
  - De richting waarin de boom overhelt;
  - Losse of droge takken;
  - Hoogte van de boom;
  - Natuurlijke overhang;
  - Of de boom verrot is of niet.
- Let op de windsnelheid en -richting. Zaag geen bomen om als er sterke rukwinden zijn.
- Afkorten van worteluitwassen: Begin met de grootste uitwassen. Maak eerst de verticale zaagsnede. (Zie afb. 27)
- Zaag een inkeping: De inkeping bepaalt de richting waarin de boom valt en geleidt de val. De inkeping wordt gemaakt aan de kant waarheen de boom moet vallen. Maak de inkeping zo dicht mogelijk bij de grond. Maak eerst de horizontale zaagsnede tot een diepte van 1/5 tot 1/3 van de stamdiameter. Maak de inkeping niet te groot. Maak vervolgens de diagonale zaagsnede.
- Maak eventuele correcties aan de inkeping over de gehele breedte ervan (zie afb. 28).
- Maak de zaagsnede aan de achterkant iets hoger dan de horizontale zaagsnede van de inkeping. De zaagsnede aan de achterkant moet precies horizontaal zijn. Laat ongeveer 1/10 van de stamdiameter over tussen de zaagsnede aan de achterkant en de inkeping. De houtvezels in het niet-doorgezaagde deel van de stam werken als een scharnier. Zaag niet de volledige diameter van de stam door omdat dan de boom ongecontroleerd zal vallen. Plaats tijds wiggens in de inkeping.
- Alleen kunststof- of aluminiumwiggens mogen worden gebruikt om de inkeping open te houden. IJzeren wiggens mogen niet worden gebruikt.
- Ga aan de zijkant van de vallende boom staan. Houd aan de achterkant van de vallende boom een gebied vrij met een hoek van 45° aan weerskanten van de vallijn (zie de afbeelding bij "Omzagen"). Let goed op vallende takken.

## ONDERHOUD

#### LET OP:

- Zorg er altijd voor dat de machine is uitgeschakeld en de stekker uit het stopcontact is getrokken, voordat u een inspectie of onderhoud uitvoert.
- Draag altijd handschoenen tijdens het uitvoeren van inspectie- of onderhoudswerkzaamheden.

Voer de hieronder beschreven

onderhoudswerkzaamheden regelmatig uit.

Garantieclaims worden uitsluitend geaccepteerd mits deze werkzaamheden regelmatig en goed zijn uitgevoerd.

Alleen de onderhoudswerkzaamheden die in deze gebruiksaanwijzing worden beschreven, mogen door de gebruiker worden uitgevoerd. Alle andere werkzaamheden moeten worden uitgevoerd door een in MAKITA gespecialiseerde reparatiedienst.

## De kettingzaag schoonmaken

Maak de kettingzaag regelmatig schoon met een poetsdoek. Met name de handgrepen moeten vrij van olie worden gehouden.

## De kunststofbehuizing controleren

Voer regelmatig een visuele controle uit op alle onderdelen van de behuizing. Als enig onderdeel beschadigd is, laat u dit onmiddellijk en goed repareren door een in MAKITA gespecialiseerde reparatiedienst.

## De zaagketting slijpen

### LET OP:

- Trek altijd de stekker uit het stopcontact en draag veiligheidshandschoenen bij het uitvoeren van werkzaamheden aan de zaagketting (zie afb. 29).

### Slijp de zaagketting als:

- Poederachtig zaagsel wordt geproduceerd tijdens het zagen van vochtig hout;
- De zaagketting moeizaam in het hout binnendringt, zelfs wanneer hoge druk wordt uitgeoefend;
- De zaagsnede duidelijk beschadigd is;
- De kettingzaag naar links of rechts trekt in het hout. De reden hiervan is een ongelijkmatige scherpte van de zaagketting, of een beschadiging aan slechts een kant.

### Slijp de zaagketting veelvuldig, maar slijp iedere keer slechts een weinig materiaal weg.

Twee of drie bewegingen met een vijl zijn doorgaans voldoende voor regelmatig bijslijpen.

Als de zaagketting meerdere malen is bijgeslepen, laat u deze een keer slijpen door een in MAKITA gespecialiseerde reparatiedienst.

### Regels met betrekking tot het slijpen:

- Alle messen moeten dezelfde lengte hebben (afmeting a). Als de messen een verschillende lengte hebben, draait de zaagketting niet soepel en kan de zaagketting breken.
- Slijp de zaagketting niet meer als de messen de minimale lengte van 3 mm bereikt hebben. In dat geval moet een nieuwe zaagketting worden gemonteerd.
- De dikte van de houtsnippers wordt bepaald door het hoogteverschil tussen de dieptevoeler (ronde neus) en de punt van de messen. De beste resultaten worden behaald bij een hoogteverschil van 0,5 mm tussen de punt van de messen en de dieptevoeler (zie afb. 30).

### WAARSCHUWING:

- Een te groot hoogteverschil verhoogt de kans op terugslag.
- De slijphoek van 30° moet hetzelfde zijn voor alle messen. Als de slijphoek verschillend is, draait de zaagketting niet soepel en ongelijkmatig, slijt de zaagketting sneller, en kan de zaagketting breken.
- De zijplaatshoek van de messen is 80° en wordt bepaald door de diepte waartoe de ronde vijl doordringt. Als de opgegeven vijl goed wordt gebruikt, wordt de juiste zijplaatshoek automatisch verkregen (zie afb. 31).

## Vijl en vijlbeweging (zie afb. 32 t/m 34)

- Gebruik een speciale ronde veil (los verkrijgbaar) voor het slijpen van een zaagketting met een diameter van 4,5 mm. Normale ronde vijlen zijn niet geschikt.
- De vijl mag alleen tijdens de voorwaartse beweging met het materiaal in aanraking komen. Til de vijl van het materiaal af tijdens de achterwaartse beweging.
- Slijp eerst het kortste mes. De lengte van dit mes is vervolgens de maatstaf voor alle andere messen op de zaagketting.
- Beweeg de vijl zoals aangegeven in de afbeelding. De vijl kan gemakkelijker worden bewogen als een vijlhouder (los verkrijgbaar) wordt gebruikt.
- Op de vijlhouder staan merktekens voor de juiste slijphoek van 30° (lijn de merktekens parallel uit met de zaagketting) en beperkt de diepte waartoe de vijl doordringt (tot 4/5 van de vijldiameter).
- Nadat de zaagketting is geslepen, controleert u de hoogte van de dieptemeter met behulp van het kettingmeetgereedschap (los verkrijgbaar).
- Verwijder eventueel uitstekend materiaal, ongeacht hoe klein, met een speciale platte vijl (los verkrijgbaar).
- Maak de voorkant van de dieptevoeler weer rond.

## Het zaagblad schoonmaken en het retourkettingwiel smeren

### LET OP:

- Draag tijdens deze werkzaamheden altijd een veiligheidsbril. Bramen vormen een kans op letsel (zie afb. 35).

Controleer de loopvlakken van het kettingwiel regelmatig op beschadigingen. Maak het zaagblad schoon met behulp van een geschikt gereedschap en verwijder zonnodig bramen.

Als de kettingzaag veel wordt gebruikt, smeert u het retourkettingwiel minstens eenmaal per week. Voordat u nieuw vet aanbrengt, maakt u eerst het gat van 2 mm in de punt van het zaagblad schoon, en perst u vervolgens een kleine hoeveelheid universeelvet (los verkrijgbaar) in het gat.

## De olietoevoer schoonmaken (zie afb. 36)

- Maak de olietoevoergroef en het olietoevoergat in het zaagblad schoon.

## Het oliefilter in de olieuitstroomopening schoonmaken

Kleine vuil- of stofdeeltjes kunnen zich tijdens gebruik ophopen in het oliefilter ter plaatse van de olieuitstroomopening.

Kleine vuil- of stofdeeltjes die zich in het oliefilter hebben verzameld kunnen het uitstromen van de olie belemmeren waardoor de hele kettingzaag onvoldoende wordt gesmeerd.

Wanneer onvoldoende toevoer van kettingolie optreedt aan het uiteinde van het kettingblad, maakt u het filter als volgt schoon.

Trek te stekker van het gereedschap uit het stopcontact.

Verwijder de afdekking van het kettingwiel en de zaagketting van het gereedschap. (Raadpleeg het gedeelte getiteld "De zaagketting monteren en verwijderen".)

Verwijder de drukdop met behulp van een platkopschroevendraaier met een dunne steel of iets dergelijks. (zie afb. 37)

Haal het oliefilter uit de kettingzaag en verwijder kleine vuil- en stofdeeltjes eruit.

Als het oliefilter te vuil is, vervangt u deze door een nieuwe. (zie afb. 38)

Steek de stekker van het gereedschap in het stopcontact.

Knijp de aan/uit-schakelaar in om opgehoopte vuil- en stofdeeltjes uit de olieuitstroomopening te persen door kettingolie te doen stromen. (zie afb. 39)

Trek te stekker van het gereedschap uit het stopcontact.

Plaats het schoongemaakte oliefilter in de olieuitstroomopening. Als het oliefilter te vuil is, vervangt u deze door een nieuwe. (zie afb. 40)

Plaats de drukdop met de juiste kant naar boven gericht, zoals aangegeven in de afbeelding, terug in de olieuitstroomopening om het oliefilter vast te zetten. Als een nieuw oliefilter niet kan worden vastgezet doordat de drukdop vervormd is, vervangt u de drukdop door een nieuwe.

Monteer de afdekking van het kettingwiel en de zaagketting weer op het gereedschap. (zie afb. 41)

## Nieuwe zaagketting

Gebruik beurtelings twee of drie zaagkettingen, zodat de zaagketting, het kettingwiel en de loopvlakken van het zaagblad gelijkmatig slijten.

Draai het kettingwiel om bij het verwisselen van de zaagketting zodat de gleuf in het zaagblad gelijkmatig slijt.

### LET OP:

- Gebruik uitsluitend zaagkettingen en zaagbladen die zijn goedgekeurd voor gebruik met dit model (zie "TECHNISCHE GEGEVENS" en zie afb. 42).

Controleer de conditie van het kettingwiel voordat u een nieuwe zaagketting monteert.

### LET OP:

- Een versleten kettingwiel beschadigt de nieuwe zaagketting. Vervang in dat geval eerst het kettingwiel.

Monteer bij het vervangen van het kettingwiel altijd een nieuwe borgring.

## De kettingrem en uitlooprem onderhouden

De remmen zijn uiterst belangrijke veiligheidsvoorzieningen. Net als ieder ander onderdeel van de kettingzaag zijn de remmen onderhevig aan een bepaalde mate van slijtage. De remmen moeten daarom regelmatig worden geïnspecteerd door een in MAKITA gespecialiseerde reparatiedienst. Deze maatregel is voor uw eigen veiligheid.

## Het gereedschap bewaren

Biologisch afbreekbare zaagkettingolie kan slechts een beperkte tijdsduur bewaard worden.

Twee jaar na de productiedatum begint biologisch afbreekbare olie hechteigenschappen te ontwikkelen, waardoor schade aan de oliepomp en de onderdelen van het smeersysteem kan worden veroorzaakt.

- Alvorens de kettingzaag gedurende langere tijd buiten gebruik te stellen, leegt u de olietank en giet u er een kleine hoeveelheid motorolie (SAE 30) in.
- Laat de kettingzaag een korte tijd draaien om alle resten van de biologisch afbreekbare olie uit de olietank, het smeersysteem en het zaagmechanisme te spoelen.

**Nadat de kettingzaag buiten gebruik is gesteld, zal gedurende enige tijd een kleine hoeveelheid kettingolie eruit lekken. Dit is normaal en duidt niet op een defect.**

Bewaar de kettingzaag op een geschikte ondergrond.

Voordat u de kettingzaag weer in gebruik neemt, vult u de olietank met nieuwe BIOTOP-zaagkettingolie.

Om de VEILIGHEID en BETROUWBAARHEID van het gereedschap te handhaven, dienen alle reparaties, onderhoud en afstellingen te worden uitgevoerd door een erkend Makita-servicecentrum, en altijd met gebruikmaking van originele Makita- vervangingsonderdelen.

## ACCESSOIRES

### LET OP:

- Deze accessoires of hulpstukken worden aanbevolen voor gebruik met het Makita-gereedschap dat in deze gebruiksaanwijzing wordt beschreven. Het gebruik van andere accessoires of hulpstukken kan gevaar voor persoonlijk letsel opleveren. Gebruik de accessoires of hulpstukken uitsluitend voor de aangegeven gebruiksdoeleinden.

Mocht u meer informatie willen hebben over deze accessoires, dan kunt u contact opnemen met uw plaatselijke Makita-servicecentrum.

- Zaagketting
- Schede van het zaagblad
- Compleet zaagblad
- \*Kettingmeetgereedschap
- Ronde vijl van 4,5 mm
- Platte vijl
- Vijlhouder met vijl van 4,5 mm
- Vijlhandvat
- 1 liter BIOTOP-zaagkettingolie
- 5 liter BIOTOP-zaagkettingolie
- Universeelvet
- Vetspuit

## Piezas suministradas

- |                                |                              |                                     |
|--------------------------------|------------------------------|-------------------------------------|
| 1. Mango trasero               | 6. Barra de guía             | 11. Protector de mano trasero       |
| 2. Interruptor disparador      | 7. Cadena de sierra          | 12. Carril dentado (tope de garras) |
| 3. Tapa del filtro de aceite   | 8. Palanca                   | 13. Botón de desbloqueo             |
| 4. Mango delantero             | 9. Cubierta de rueda dentada | 14. Receptor de cadena              |
| 5. Protector de mano delantero | 10. Visor de nivel de aceite | 15. Vaina                           |

## Explicación de los dibujos

- |                              |                               |  |
|------------------------------|-------------------------------|--|
| 1. Botón de desbloqueo       | 11. Apretar                   | 21. Cristal del visor                  |
| 2. Interruptor disparador    | 12. Palanca                   | 22. Carril dentado                     |
| 3. Presionar                 | 13. Baja                      | 23. Área de tala                       |
| 4. Aflojar                   | 14. Alta                      | 24. Ranura de guía de aceite           |
| 5. Cubierta de rueda dentada | 15. Barra de guía             | 25. Orificio de alimentación de aceite |
| 6. Dial de ajuste            | 16. Cadena de sierra          | 26. Tuerca de retención                |
| 7. Pasador de ajuste         | 17. Tapa de llenado de aceite | 27. Destornillador de punta plana      |
| 8. Gancho                    | 18. Protector de mano         | 28. Filtro                             |
| 9. Orificio                  | 19. Bloqueo                   | 29. Rueda dentada                      |
| 10. Orificio pequeño         | 20. Desbloqueo                |  |

## ESPECIFICACIONES

Modelo	UC3020A	UC3520A	UC4020A
Velocidad máx. de cadena (m/s)	13,3		
Longitud de corte	300 mm	350 mm	400 mm
Cadena de sierra	Tipo		90SG
	Paso de los dientes		3/8"
Nivel medio de potencia acústica LWA en dB (A) conforme a EN 50144 -1 <sup>1)</sup>	105,3		
Nivel medio de presión acústica LpA en dB (A) en el lugar de trabajo conforme a EN 50144 -1 <sup>1)</sup>	92,3		
Aceleración media de vibración a h,w conforme a ISO 50144-2-13 <sup>1)</sup> - Mango delantero m/s <sup>2</sup>	3,4		3,9
	- Mango trasero m/s <sup>2</sup>		4,5
Bomba de aceite	Automática		
Capacidad del depósito de aceite (l)	0,20		
Transmisión de potencia	Directa		
Freno de la cadena	Manual		
Freno de detención	Mecánico		
Longitud total (sin barra de guía)	436 mm		
Peso neto	3,8 kg		
Cable de extensión (opcional)	DIN 57282/HO 7RN -F L=30 m máx., 3 x 1,5 mm <sup>2</sup>		

1) Los datos asignan el mismo peso en condiciones de carga completa y de funcionamiento a máxima velocidad.

- Debido a nuestro programa continuo de investigación y desarrollo, las especificaciones aquí descritas están sujetas a cambios sin previo aviso.

• Nota: las especificaciones pueden ser diferentes en cada país.














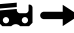



### Símbolos

Se utilizan los siguientes símbolos para la herramienta. Asegúrese de que comprende su significado antes del uso.

END218-1



..... Lea el manual de instrucciones y siga las advertencias y las instrucciones de seguridad.

-  ..... AISLAMIENTO DOBLE
-  ..... Precaución: extreme la precaución y el cuidado.
-  ..... Precaución: desenchufe la herramienta de la toma de corriente si el cable está dañado.
-  ..... Precaución: retroceso.
-  ..... Proteja de la lluvia y la humedad.
-  ..... Lleve casco y protección para los ojos y oídos.
-  ..... Póngase guantes de seguridad.
-  ..... Desenchufe la herramienta de la toma de corriente.
-  ..... Primeros auxilios
-   ..... Reciclaje
-  ..... Marca CE
-  ..... Longitud de corte máxima permitida
-  ..... Dirección de desplazamiento de la cadena
-  ..... Aceite de la cadena
-  ..... Freno de la cadena suelto/aplicado
-  ..... Prohibido.

### Uso previsto

Esta herramienta está diseñada para cortar madera y troncos.

### Energía

La herramienta debe conectarse solamente a una fuente de alimentación de la misma tensión que la indicada en la placa de características, y sólo puede funcionar con corriente alterna monofásica. El sistema de doble aislamiento de la herramienta cumple con las normas europeas y puede, por lo tanto, usarse también en tomacorrientes sin conductor de tierra.

### En sistemas públicos de distribución de baja tensión, entre 220 V y 250 V.

Cambiar de operaciones en los aparatos eléctricos puede provocar fluctuaciones de tensión. El funcionamiento de esta herramienta en condiciones desfavorables de alimentación eléctrica puede afectar negativamente al funcionamiento de otros equipos. Con una impedancia eléctrica igual o inferior a 0,35 ohmios, se puede prever que no habrá ningún efecto negativo. La toma de corriente que se utilice para esta herramienta debe estar protegida con un fusible o disyuntor de protección con características de disyunción lenta.

## NORMAS DE SEGURIDAD ADICIONALES

ENB098-1

1. **Lea el manual de instrucciones para familiarizarse con el funcionamiento de la sierra de cadena.**
2. **Antes de utilizar la sierra de cadena por primera vez, procure recibir instrucciones sobre su uso. Si esto no es posible, al menos practique cortando madera en un caballete antes de empezar a trabajar.**
3. **La sierra de cadena no debe ser utilizada por niños ni jóvenes menores de 18 años. Los jóvenes mayores de 16 años pueden quedar excluidos de esta restricción si reciben formación bajo la supervisión de un experto.**
4. **Trabajar con la sierra de cadena requiere un gran nivel de concentración. No trabaje con la sierra si no se encuentra del todo bien. Realice todo el trabajo con calma y con cuidado.**
5. **No trabaje nunca bajo la influencia de alcohol, drogas o medicamentos.**

### Uso adecuado

1. **La sierra de cadena se ha diseñado exclusivamente para cortar madera. No la utilice para cortar otros materiales como plástico u hormigón poroso.**
2. **Utilice únicamente la sierra de cadena para las operaciones descritas en este manual de instrucciones. No la utilice, por ejemplo, para recortar setos o para tareas similares.**
3. **La sierra de cadena no debe utilizarse en trabajos de silvicultura como, por ejemplo, la tala de ramas en vertical. El cable de la sierra de cadena no proporciona al operador la movilidad y seguridad necesarias para dichos trabajos.**
4. **La sierra de cadena no se ha diseñado para un uso comercial.**
5. **No sobrecargue la sierra de cadena.**

### Equipo de protección personal

1. **La vestimenta debe estar pegada al cuerpo pero sin impedir la movilidad.**
2. **Póngase la siguiente vestimenta protectora durante el trabajo:**
  - Un casco de seguridad probado, por un posible riesgo de caída de ramas o similar.
  - Una careta o gafas protectoras.
  - Protección adecuada para los oídos (orejeras, o tapones para los oídos amoldables o personalizados). Análisis de banda de octavas bajo petición.
  - Guantes de seguridad de piel rígida.
  - Pantalones largos de una tela resistente.
  - Mono de trabajo protector de una tela resistente a cortes.
  - Zapatos o botas de seguridad con suelas no resbaladizas, punteras de acero y revestimiento de un tejido resistente a cortes.
  - Mascarilla para realizar trabajos que produzcan polvo (por ejemplo, serrar madera seca).

## Protección frente a descargas eléctricas



La sierra de cadena no debe utilizarse bajo la lluvia ni en lugares húmedos, pues el motor eléctrico no es impermeable.

1. **Enchufe únicamente la sierra en tomas de corriente conectadas a tierra de circuitos eléctricos probados. Compruebe que la tensión del sistema coincide con la de la placa de clasificación. Compruebe que se ha instalado un fusible de línea de 16 A. Las sierras que se utilizan al aire libre deben conectarse a un disyuntor de corriente residual con una corriente de funcionamiento no superior a los 30 mA.**



Si se daña el cable de conexión, desenchufe inmediatamente la herramienta de la toma de corriente.

## Prácticas para un trabajo seguro

1. **Antes de empezar a trabajar, compruebe que la sierra de cadena está en perfecto estado de funcionamiento y que cumple las normas de seguridad. En concreto, compruebe que:**
  - El freno de la cadena funciona correctamente.
  - El freno de detención funciona correctamente.
  - La barra y la cubierta de la rueda dentada están instaladas correctamente.
  - La cadena se ha afilado y tensado de acuerdo con las normas.
  - El cable y el enchufe de la toma de corriente no están dañados.

Consulte la sección "COMPROBACIONES".

2. En concreto, compruebe siempre que el cable de extensión utilizado tiene un corte transversal adecuado (consulte "ESPECIFICACIONES"). Si utiliza un rollo de cable, desenrolle completamente el cable. Si utiliza la sierra al aire libre, asegúrese de que el cable utilizado ha sido diseñado para su uso al aire libre y tiene la clasificación correcta.
3. No utilice la sierra de cadena cerca de polvo o gases inflamables, ya que el motor genera chispas y podría provocar una explosión.
4. Trabaje solamente sobre tierra firme y con un buen apoyo. Preste atención especialmente a los obstáculos (por ejemplo, el cable) en el área de trabajo. Tenga cuidado especialmente en las superficies cubiertas de humedad, hielo, nieve, madera recién cortada o corteza, pues podría resbalar. No se suba a escaleras ni a los árboles cuando utilice la sierra.
5. Tenga cuidado especialmente cuando trabaje en una pendiente, pues las ramas y troncos podrían rodar cuesta abajo y ser peligrosos.
6. No corte nunca por encima de la altura de los hombros. (Fig. 1)
7. Sujete la sierra de cadena con ambas manos cuando la encienda y la utilice. Sujete el mango trasero con la mano derecha y el mango delantero con la izquierda. Sujete firmemente los mangos con los pulgares. La

barra y la cadena no deben estar en contacto con ningún objeto cuando encienda la sierra.

8. Limpie el área que va a cortar de objetos tales como arena, piedra, clavos, cables, etc. Los objetos extraños dañan la barra y la cadena y pueden provocar un retroceso peligroso de la herramienta.
9. Tenga cuidado especialmente cuando corte cerca de vallas de alambre. No corte en la valla, pues la sierra podría retroceder.
10. No corte en la tierra.
11. Corte los trozos de madera individualmente, no en grupos ni pilas.
12. Evite utilizar la sierra para cortar ramas y raíces, pues pueden enredarse en la sierra de cadena. La pérdida de equilibrio supone un riesgo.
13. Utilice un soporte seguro (caballete) cuando corte madera serrada.
14. No utilice la sierra de cadena para levantar ni cepillar **trozos de madera y otros objetos.**
15. Guíe la sierra de cadena de forma que ninguna parte del cuerpo se encuentre en **la línea de trabajo de la cadena.** (Fig. 2)
16. Cuando se mueva entre las distintas operaciones de serrado, aplique el freno de la cadena para evitar que ésta se accione accidentalmente. Sujete la sierra de cadena por el mango delantero cuando la transporte y no deje el dedo sobre el interruptor. Desenchufe la herramienta de la toma de corriente durante las pausas de trabajo o cuando deje la sierra de cadena desatendida. Deje la sierra de cadena en un lugar donde no suponga un riesgo.
17. Desenchufe la herramienta de la toma de corriente durante las pausas de trabajo o cuando deje la sierra de cadena desatendida. Deje la sierra de cadena en un lugar donde no suponga un riesgo.

## Retroceso


1. Puede producirse un retroceso peligroso mientras trabaja con la sierra de cadena. El retroceso se produce cuando el extremo de la barra (en particular, en el cuarto superior) entra en contacto con madera o con otro objeto sólido. Esto provoca un desvío de la sierra de cadena en la dirección del operador. (Fig. 3)
2. Para evitar el retroceso, tenga en cuenta lo siguiente:
  - No empiece nunca el corte con el extremo de la barra.
  - No utilice nunca el extremo de la barra para cortar. Tenga cuidado especialmente cuando reanude cortes que ya había iniciado.
  - Inicie el corte con la cadena en funcionamiento.
  - Afile siempre la cadena correctamente. En particular, establezca el calibre de profundidad en la altura correcta (consulte "Afilado de la cadena" para obtener detalles).
  - No sierre nunca a través de varias ramas de una sola vez.
  - Cuando tale ramas, procure evitar que la barra entre en contacto con las demás ramas.
  - Cuando corte troncos, aléjese de los troncos adyacentes. Observe siempre el extremo de la barra.

- Utilice un caballete.

## Características de seguridad

1. Antes de empezar a trabajar, compruebe siempre que las características de seguridad están en perfecto estado de funcionamiento. No utilice la sierra de cadena si las características de seguridad no funcionan correctamente.
- **Freno de la cadena:**  
La sierra de cadena incluye un freno de la cadena que detiene la cadena de sierra en una fracción de segundo. Se activa cuando se empuja hacia adelante el protector de mano. La cadena de sierra se detiene en menos de 0,15 segundos y se interrumpe la alimentación de corriente al motor.
- **Freno de detención: (Fig. 4)**  
La sierra de cadena incluye un freno de detención que detiene inmediatamente la cadena de sierra cuando se suelta el interruptor ON/OFF. De esta forma, se evita el riesgo que supone que la cadena de sierra se ponga en marcha cuando está apagada.
  - Los **protectores de mano delantero y trasero** protegen al usuario de las lesiones que podría provocar el lanzamiento hacia atrás de trozos de madera o la rotura de la cadena de sierra.
  - El cierre del disparador evita que la sierra de cadena se encienda por accidente.
  - El **receptor de cadena** protege al usuario de posibles lesiones en caso de que la cadena salte o se rompa.

## Transporte y almacenamiento

 ..... Cuando no utilice la sierra de cadena o cuando la transporte, desenchufe la herramienta de la toma de corriente y proteja la sierra con la vaina suministrada. Nunca transporte la sierra con la cadena de sierra en funcionamiento.

1. Transporte la sierra de cadena sujetándola únicamente por el mango delantero, con la barra apuntando hacia atrás.
2. Guarde la sierra de cadena en una habitación segura, seca y cerrada bajo llave, fuera del alcance de los niños. No almacene la sierra de cadena en el exterior.

## Mantenimiento

1. Desenchufe la herramienta de la toma de corriente antes de realizar tareas de ajuste o mantenimiento.
2. Compruebe periódicamente el cable de alimentación para ver si está correctamente aislado.
3. Limpie la sierra de cadena con regularidad.
4. Repare de forma inmediata y adecuada cualquier daño en el alojamiento de plástico.
5. No utilice la sierra si el interruptor disparador no funciona correctamente. Procure que sea reparado correctamente.
6. En ningún caso deben realizarse modificaciones en la sierra de cadena. Su seguridad está en riesgo.

7. No realice tareas de mantenimiento o reparaciones que no sean las descritas en este manual de instrucciones. Cualquier otro trabajo debe ser realizado por el servicio técnico de MAKITA.
8. Utilice solamente repuestos y accesorios MAKITA originales diseñados para su modelo de sierra. El uso de otras piezas puede aumentar el riesgo de accidente.
9. MAKITA no acepta ninguna responsabilidad por los accidentes o daños provocados por el uso de barras, cadenas de sierra u otros repuestos y accesorios no aprobados. Consulte el "Extracto de la lista de piezas de recambio" para ver las barras y cadenas de sierra aprobadas.

## Primeros auxilios



..... No trabaje en solitario. Trabaje siempre en un radio que permita a una segunda persona escuchar sus gritos.

1. Tenga siempre a mano un botiquín de primeros auxilios. Reponga inmediatamente el contenido del botiquín que haya utilizado.
2. Si necesita ayuda en caso de accidente, informe de lo siguiente:
  - ¿Dónde ha tenido lugar el accidente?
  - ¿Qué ha ocurrido?
  - ¿Cuántos heridos hay?
  - ¿Qué heridas tienen?
  - ¿Quién está informando del accidente?

### NOTA:

Las personas con problemas circulatorios que están expuestas a vibraciones excesivas pueden sufrir lesiones en los vasos sanguíneos o en el sistema nervioso.

La vibración puede provocar los siguientes síntomas en los dedos, manos o muñecas: "adormecimiento", hormigueo, dolor, sensación punzante, alteración del color de la piel o de la piel.

**Si sufre alguno de estos síntomas, acuda a un médico.**

## GUARDE ESTAS INSTRUCCIONES

## DESCRIPCIÓN DEL FUNCIONAMIENTO

### PRECAUCIÓN:

- Asegúrese siempre de que la herramienta esté apagada y desenchufada antes de intentar realizar cualquier tipo de ajuste o comprobación en ella.

### Funcionamiento del interruptor (Fig. 5)

#### PRECAUCIÓN:

- Antes de enchufar la herramienta, asegúrese siempre de que el interruptor disparador funcione como es debido y de que vuelva a la posición "OFF" (apagado) al soltarlo.

Para evitar que el disparador del interruptor se accione accidentalmente se proporciona un botón de bloqueo.

Para poner en marcha la herramienta, presione el botón de bloqueo y tire del disparador del interruptor.

Suelte el interruptor disparador para detener la herramienta.

## MONTAJE

### PRECAUCIÓN:

- Asegúrese siempre de que la herramienta esté apagada y desenchufada antes de intentar realizar cualquier trabajo en ella.

### Instalación o extracción de la cadena de sierra

#### PRECAUCIÓN:

- Asegúrese siempre de que la herramienta esté apagada y desenchufada antes de instalar o extraer la cadena de sierra.
  - Protéjase con guantes siempre que instale o extraiga la cadena de sierra.
1. Para extraer la cadena de sierra, mueva la palanca en posición vertical. (Fig. 6)
  2. Presione la palanca y manténgala presionada a la vez que la gira en el sentido contrario a las agujas del reloj para aflojar la tuerca hasta que pueda extraer la cubierta de la rueda dentada. (Al presionar la palanca, ésta queda ajustada en la tuerca.)
  3. Gire el dial de ajuste en sentido contrario a las agujas del reloj para destensar la cadena de sierra.
  4. Extraiga la cubierta de la rueda dentada.
  5. Extraiga la cadena de sierra y la barra de guía de la sierra de cadena.
  6. Para instalar la cadena de sierra, ajuste un extremo de la cadena de sierra en la parte superior de la barra de guía y el otro extremo alrededor de la rueda dentada. (Fig. 7)

En este momento, ajuste la cadena de sierra tal y como se muestra en la Fig. para que gire en la dirección de la flecha.

7. Coloque la barra de guía sobre la sierra de cadena.
8. Gire el dial de ajuste en sentido contrario a las agujas del reloj para deslizar el pasador de ajuste en la dirección de la flecha. (Fig. 8)
9. Coloque la cubierta de la rueda dentada en la sierra de cadena de forma que el gancho situado en la cubierta trasera quede insertado en un orificio de la sierra de cadena y el pasador de ajuste en un orificio pequeño de la barra de guía. (Fig. 9)
10. Presione la palanca y manténgala presionada mientras la gira completamente en sentido de las agujas del reloj para apretar la tuerca. A continuación, gire un cuarto de vuelta en sentido contrario a las agujas del reloj para aflojar ligeramente la tuerca. (Fig. 10)

## Ajuste de la tensión de la cadena de sierra

La cadena de sierra puede aflojarse después de muchas horas de uso. Revise periódicamente la tensión de la cadena de sierra antes de utilizarla.

Mueva la palanca en posición vertical. (Fig. 11)

Presione la palanca. Con la palanca presionada, gire un cuarto de vuelta en sentido contrario a las agujas del reloj para aflojar ligeramente la tuerca. (Al presionar la palanca, ésta queda ajustada en la tuerca.) (Fig. 12)

Gire el dial de ajuste para ajustar la tensión de la cadena de sierra. Agarre la cadena de sierra por la mitad de la barra de guía y elévela. El espacio entre la barra de guía y la correa de unión de la cadena de sierra debe medir de 2 a 4 mm aproximadamente. Si el espacio no mide de 2 a 4 mm, gire ligeramente el dial de ajuste que sujeta la barra de guía. En este momento, ajuste con el extremo de la barra de guía ligeramente elevado. (Fig. 13)

Con la palanca presionada, gire completamente en sentido de las agujas del reloj para apretar la tuerca firmemente. (Fig. 14)

Devuelva la palanca a su posición original. (Fig. 15)

#### PRECAUCIÓN:

- Si la cadena de sierra está demasiado tensada, puede romperse, desgastar la barra de guía y romper el dial de ajuste.
- La instalación o extracción de la cadena de sierra debe realizarse en un lugar libre de polvo de sierra o similares.

## MANEJO

### Lubricación

#### PRECAUCIÓN:

- Asegúrese siempre de que la herramienta está apagada y desenchufada antes de lubricar la cadena de sierra.

Lubrique la cadena de sierra con un aceite para cadenas de sierra biodegradable con un agente adherente. El agente adherente del aceite para cadenas de sierra evita que el aceite se elimine de la sierra con excesiva rapidez. No se deben utilizar aceites minerales, pues son dañinos para el medioambiente. (Fig. 16)

#### PRECAUCIÓN:

- Evite que el aceite entre en contacto con la piel y los ojos. El contacto con los ojos provoca irritación. Si entra en contacto con los ojos, lávelos inmediatamente con abundante agua y consulte a un doctor en seguida.
- No utilice nunca aceite residual. El aceite residual contiene sustancias cancerígenas. Los contaminantes del aceite residual pueden provocar un desgaste acelerado de la bomba de aceite, la barra y la cadena. El aceite residual es dañino para el medioambiente.
- Cuando llene la sierra de cadena con aceite para cadena por primera vez, o cuando rellene el depósito después de que se haya vaciado por completo, añada aceite hasta el borde inferior del cuello de llenado. De



lo contrario, es posible que el aceite no se distribuya correctamente.

Limpie a fondo el área alrededor de la tapa de llenado de aceite que se muestra en la Fig. para evitar que entre suciedad en el depósito de aceite. (Fig. 17)

Desatornille la tapa de llenado de aceite y añada aceite hasta el borde inferior del cuello de llenado.

Atornille nuevamente y con firmeza la tapa de llenado de aceite.

Limpie con cuidado el aceite para cadena que haya podido salpicar.

Si utiliza la sierra de cadena por primera vez, el aceite para cadenas de sierra puede tardar un par de minutos en iniciar su efecto lubricante sobre el mecanismo de la sierra. Accione la sierra sin carga hasta que se lubrique el mecanismo (consulte "COMPROBACIONES").

La capacidad del depósito (200 ml) es suficiente para unos 30 minutos de uso.

## COMPROBACIONES

Antes de empezar a trabajar, realice las siguientes comprobaciones:

### Comprobación de la tensión de la cadena (Fig. 18)

#### ADVERTENCIA:

- Desenchufe siempre la herramienta de la toma de corriente antes de comprobar la tensión de la cadena y póngase guantes de seguridad.

La cadena de sierra está bien tensada si entra en contacto con la parte inferior de la barra y si puede elevarse de 2 a 4 mm aproximadamente desde la barra con una leve presión del dedo.

Compruebe con frecuencia la tensión de la cadena, ya que las nuevas cadenas pueden alargarse. Una cadena demasiado floja puede salirse de la barra, por lo que supone un riesgo de accidente.

Si la cadena está demasiado floja: consulte la sección titulada "Ajuste de la tensión de la cadena de sierra" y ajuste nuevamente la tensión de la cadena de sierra.

### Comprobación de la acción del interruptor

#### PRECAUCIÓN:

Desenchufe siempre la herramienta antes de probar el interruptor disparador. Se prohíbe bloquear el interruptor disparador en la posición ON. No debe ser posible presionar el interruptor disparador a menos que se haya presionado primero el botón de desbloqueo.

El interruptor disparador no debe atascarse en la posición presionada. Al soltarlo, el interruptor disparador debe volver inmediatamente a la posición OFF y el botón de desbloqueo debe volver a su posición original. (Fig. 19)

### Comprobación del freno de la cadena

#### NOTA:

- Si la sierra de cadena no se pone en marcha, puede ser que el freno de la cadena esté suelto. Tire firmemente del protector de mano hacia atrás hasta que sienta que se acopla.

Sujete la sierra de cadena con ambas manos cuando la encienda. Sujete el mango trasero con la mano derecha y el mango delantero con la izquierda. La barra y la cadena no deben estar en contacto con ningún objeto.

Presione primero el botón de desbloqueo y, a continuación, el interruptor disparador. La cadena de sierra se pondrá en marcha inmediatamente.

Presione el protector de mano hacia adelante con el reverso de la mano. La cadena de sierra debe detenerse inmediatamente. (Fig. 20)

#### PRECAUCIÓN:

- Si la cadena de sierra no se detiene inmediatamente al realizar esta prueba, no debe utilizar la sierra bajo ningún concepto. Consulte a un taller de reparaciones especialista en MAKITA.

### Comprobación del freno de detención

Encienda la sierra de cadena.

Suelte completamente el interruptor disparador. La cadena de sierra debe detenerse en menos de un segundo.

#### PRECAUCIÓN:

- Si la cadena de sierra no se detiene en menos de un segundo al realizar esta prueba, no debe utilizar la sierra. Consulte a un taller de reparaciones especialista en MAKITA.

### Comprobación del aceite de la cadena (Fig. 21)

Antes de empezar a trabajar, compruebe el nivel de aceite del depósito y la distribución de aceite.

El nivel de aceite puede verse en el cristal del visor que se muestra en la Fig..

Compruebe la distribución de aceite de la siguiente manera:

Ponga en marcha la sierra de cadena.

Con la sierra en funcionamiento, sujete la sierra unos 15 cm por encima de un tronco o de la tierra. Si la lubricación es adecuada, el pulverizador de aceite producirá una ligera huella de aceite. Observe la dirección del viento y no se exponga innecesariamente a la pulverización de aceite.

#### PRECAUCIÓN:

- Si no se forma una huella de aceite, no utilice la sierra. De lo contrario, la vida útil de la cadena puede verse reducida. Compruebe el nivel de aceite. Limpie la ranura de alimentación de aceite y el orificio de alimentación de aceite en la barra (consulte "MANTENIMIENTO").

## TRABAJO CON LA SIERRA DE CADENA

### Corte de troncos

Cuando corte troncos, apoye el carril dentado que se muestra en la Fig. sobre la madera que va a cortar. (Fig. 22)

Con la cadena de sierra en funcionamiento, sierra la madera utilizando el mango trasero para elevar la sierra y el mango delantero para guiarla. Utilice el carril dentado como pivote.

Siga cortando aplicando una ligera presión en el mango delantero y moviendo ligeramente hacia atrás la sierra. Mueva el carril dentado introduciéndolo más en la madera y eleve nuevamente el mango delantero.

Si realiza varios cortes, apague la sierra de cadena entre corte y corte.

#### **PRECAUCIÓN:**

- Si utiliza el borde superior de la barra para cortar, la sierra de cadena podría desviarse en dirección hacia usted si la cadena queda atrapada. Por este motivo, corte con el borde inferior, de forma que la sierra se desvíe lejos de su cuerpo. **(Fig. 23)**

Si se trata de madera sometida a tensión, corte primero el lado bajo presión (A). Luego realice el corte final en el lado bajo tensión (B). De esta forma evitará que la barra quede atrapada. **(Fig. 24)**

## **Tala de ramas**

#### **PRECAUCIÓN:**

- La tala de ramas sólo debe ser realizada por personas que hayan recibido tal formación. Existe el peligro de retroceso de la herramienta.

Cuando tale ramas, apoye la sierra de cadena sobre el tronco si es posible. No corte con el extremo de la barra, pues podría provocar el retroceso de la herramienta.

Preste especial atención a las ramas sometidas a tensión. No corte desde abajo las ramas que no tengan apoyo.

No se ponga encima del tronco talado cuando tale las ramas.

## **Perforación y cortes paralelos a la fibra**

#### **PRECAUCIÓN:**

- La perforación y los cortes paralelos a la fibra deben ser realizados únicamente por personas con una formación especial. La posibilidad de retroceso puede provocar lesiones.

Realice cortes paralelos a la fibra en un ángulo lo más plano posible. Realice el corte con el mayor cuidado, pues no es posible utilizar el carril dentado. **(Fig. 25)**

## **Tala de árboles**

#### **PRECAUCIÓN:**

- La tala de árboles sólo debe ser realizada por personas que hayan recibido tal formación. Es un trabajo peligroso.

Observe las normas locales si desea talar un árbol. **(Fig. 26)**

- Antes de iniciar el trabajo de tala, asegúrese de que:
  - (1) Sólo se encuentran en las cercanías las personas que van a intervenir en la tala.
  - (2) Todas las personas que intervienen en el trabajo tienen una vía de retirada sin estorbos en un rango de 45 ° aproximadamente en cualquier lado del eje de tala. Tenga en cuenta el riesgo adicional que supone tropezar con cables eléctricos.
  - (3) La base del tronco no tiene objetos extraños, raíces ni ramas.

(4) No hay ninguna persona u objeto en una distancia igual al doble y medio de la longitud del árbol en la dirección en que éste va a caer.

- Tenga en cuenta los siguientes aspectos en cada uno de los árboles:
  - Dirección de inclinación.
  - Ramas secas o sueltas.
  - Altura del árbol.
  - Saliente natural.
  - Si el árbol está podrido o no.
- Tenga en cuenta la dirección y la velocidad del viento. No realice trabajos de tala si el viento sopla a rachas fuertes.
- Recorte de raíces dilatadas: comience por las más grandes. Realice primero el corte vertical y luego el horizontal. **(Fig. 27)**
- Realice un corte en la base del árbol: este corte determina la dirección en la que caerá el árbol y lo guía. Se realiza en el lado hacia el cual debe caer el árbol. Realice el corte lo más cerca de la tierra como sea posible. Primero realice el corte horizontal con una profundidad de 1/5 a 1/3 del diámetro del árbol. No realice un corte demasiado grande. A continuación, realice el corte diagonal.
- Corte las correcciones en toda la anchura del corte realizado en la base. **(Fig. 28)**
- Realice el corte trasero un poco más arriba que el corte de la base. El corte trasero debe ser exactamente horizontal. Deje aproximadamente una décima parte del diámetro del tronco entre el corte trasero y el corte de la base. Las fibras de madera de la parte del tronco no cortada actúan como bisagra. No corte directamente a través de las fibras bajo ningún concepto, pues de lo contrario el árbol caerá libremente. Inserte cuñas en el corte de la base a su debido tiempo.
- Sólo debe utilizar cuñas de aluminio o plástico para mantener el corte de la base abierto. El uso de cuñas de hierro está prohibido.
- Manténgase en pie junto al árbol que va a caer. Mantenga una área despejada en la parte trasera del árbol que va a caer con un ángulo máximo de 45° a cualquier lado del eje del árbol (consulte la Fig. relativa al "área de tala"). Preste atención a las ramas que caen.

## **MANTENIMIENTO**

#### **PRECAUCIÓN:**

- Asegúrese siempre de que la herramienta esté apagada y desenchufada antes de intentar realizar cualquier trabajo de inspección o mantenimiento en ella.
- Póngase siempre guantes cuando realice cualquier tarea de inspección o mantenimiento.

Realice a intervalos regulares el trabajo de mantenimiento descrito a continuación. Sólo se aceptarán reclamaciones de garantías si se realizan estas operaciones correctamente y de forma regular.

El usuario sólo puede realizar el trabajo de mantenimiento descrito en este manual de instrucciones.

Cualquier otro trabajo debe ser realizado por un taller de reparaciones especialista en MAKITA.

## Limpeza de la sierra de cadena

Limpe la sierra regularmente con un trapo limpio. Los mangos, en concreto, no deben ensuciarse de aceite.

## Comprobación del alojamiento de plástico

Realice regularmente inspecciones visuales de todas las piezas del alojamiento. Si se daña alguna pieza, llévela inmediatamente a un taller de reparaciones especialista en MAKITA para que la repare adecuadamente.

## Afilado de la cadena de sierra

### PRECAUCIÓN:

- Desenchufe siempre la herramienta de la toma de corriente y póngase guantes de seguridad cuando realice trabajos en la cadena de sierra. (Fig. 29)

### Afile la cadena de sierra cuando:

- Se produzca polvo de sierra harinoso al cortar madera húmeda.
- La cadena penetre en la madera con dificultad, incluso si se aplica una fuerte presión.
- El borde de corte esté visiblemente dañado.
- La sierra se desplace a la izquierda o la derecha en la madera. El motivo de este comportamiento es que la cadena de sierra no está afilada de forma uniforme o que sólo está dañada de un lado.

### Afile la cadena de sierra con frecuencia pero extraiga solamente un poco de material cada vez.

Dos o tres golpes de lima suelen ser suficientes para el afilado rutinario de la sierra.

Si ha afilado varias veces la cadena de sierra, llévela a un taller de reparaciones especialista en MAKITA para que la afilen.

### Criterios de afilado:

- Todas las cortadoras deben tener la misma longitud (dimensión a). Las cortadoras de distinta longitud evitan que la cadena funcione suavemente y pueden hacer que se rompa.
- No afile la cadena cuando la longitud de la cortadora tenga menos de 3 mm. En tal caso, deberá cambiar la cadena.
- El grosor de las virutas viene determinado por la distancia entre el calibre de profundidad y el borde de corte. Para obtener los mejores resultados de corte, debe haber una distancia de 0,5 mm entre el borde de corte y el calibre de profundidad. (Fig. 30)

### ADVERTENCIA:

- Si la distancia es excesiva, aumenta el riesgo de retroceso.
- La distancia del ángulo de 30° de afilado debe ser la misma en todas las cortadoras. Las diferencias de ángulo provocan que la cadena se mueva con dificultad y de forma no uniforme, que se acelere el desgaste y que se rompa la cadena.
- El ángulo de 80° de la placa lateral de la cortadora viene determinado por la profundidad de penetración

de la lima redonda. Si se utiliza correctamente la lima especificada, se produce automáticamente el ángulo de la placa lateral correcto. (Fig. 31)

## Lima y guía de lima (Fig. 32 - 34)

- Para afilar la cadena, utilice una lima redonda especial (accesorio opcional) para cadenas de sierra, con un diámetro de 4,5 mm. Las limas redondas normales no son adecuadas.
- La lima sólo debe aplicarse al material en el golpe de avance. Retire la lima del material en el golpe de retroceso.
- Afile primero la cortadora de menor longitud. La longitud de esta cortadora será la dimensión de calibre para todas las demás cortadoras de la cadena de sierra.
- Guíe la lima como se muestra en la Fig.. La lima puede guiarse con mayor facilidad si se utiliza un portalimas (accesorio opcional).
- El portalimas tiene marcas que indican el ángulo de afilado correcto de 30° (alinee las marcas en paralelo a la cadena de sierra) y limita la profundidad de penetración (a 4/5 del diámetro de la lima).
- Tras afilar la cadena, compruebe la altura del calibre de profundidad con la herramienta para medir el calibre de la cadena (accesorio opcional).
- Retire cualquier material que pueda salir proyectado, por pequeño que sea, con una lima plana especial (accesorio opcional).
- Remate nuevamente la parte delantera del calibre de profundidad.

## Limpeza de la barra de guía y lubricación de la rueda dentada de retorno

### PRECAUCIÓN:

- Póngase siempre guantes de seguridad para realizar esta tarea. Las rebabas pueden provocar lesiones. (Fig. 35)

Inspeccione regularmente las superficies de funcionamiento de la barra para ver si están dañadas. Límpielas con una herramienta adecuada y retire las rebabas si es necesario.

Si la sierra de cadena se utiliza con frecuencia, lubrique el cojinete de la rueda dentada de retorno al menos una vez por semana. Antes de añadir grasa nueva, limpie cuidadosamente el orificio de 2 mm en el extremo de la barra de guía e introduzca una pequeña cantidad de grasa multiuso (accesorio opcional) en el orificio.

## Limpeza de la guía de aceite (Fig. 36)

- Limpe regularmente la ranura de la guía de aceite y el orificio de alimentación de aceite en la barra.

## Limpeza del filtro del aceite del orificio de descarga de aceite

En el filtro del aceite del orificio de descarga de aceite se puede acumular suciedad o pequeñas partículas durante el funcionamiento.

Las pequeñas partículas o la suciedad que se acumulan en el filtro del aceite pueden dificultar el flujo de descarga

de aceite y causar una insuficiencia de lubricación en toda la cadena de sierra.

Cuando el engrasado de la cadena sea escaso en la parte superior de la barra de guía, limpie el filtro de la siguiente manera.

Desenchufe la herramienta de la corriente eléctrica.

Retire la cubierta de la rueda dentada y la cadena de la sierra de la herramienta. (Consulte la sección titulada "Instalación o extracción de la cadena de la sierra".)

Retire la tuerca de retención con un destornillador fino de punta plana o una herramienta similar. (Fig. 37)

Extraiga el filtro de la sierra de cadena y retire las pequeñas partículas o la suciedad.

Cuando el filtro esté demasiado sucio, replácelo por uno nuevo.

Enchufe la herramienta. (Fig. 38)

Tire del interruptor disparador para desalojar la suciedad o las partículas del orificio de descarga descargando aceite de la cadena.

Desenchufe la herramienta de la corriente eléctrica. (Fig. 39)

Inserte el filtro de aceite limpio en el orificio de descarga de aceite. Cuando el filtro esté demasiado sucio, replácelo por uno nuevo. (Fig. 40)

Inserte la tuerca de retención con el lado correcto hacia arriba, como se muestra en la ilustración, en el orificio de descarga de aceite para fijar el filtro. Cuando el filtro no se pueda fijar porque la tuerca de retención esté deteriorada, reemplácela por una nueva.

Vuelva a montar la cubierta de la rueda dentada y la cadena de la sierra en la herramienta. (Fig. 41)

## Nuevas cadenas de sierra

Utilice alternativamente dos o tres cadenas de sierra para que la cadena de sierra, la rueda dentada y las superficies de funcionamiento se desgasten uniformemente.

Gire la barra 180° cuando cambie la cadena para que las ranuras de la barra se desgasten uniformemente.

### PRECAUCIÓN:

- Utilice solamente cadenas y barras aprobadas para este modelo de sierra (consulte "ESPECIFICACIONES"). (Fig. 42)

Antes de instalar una nueva cadena de sierra, compruebe el estado de la rueda dentada.

### PRECAUCIÓN:

- Si la rueda dentada está desgastada, podría dañar la nueva cadena de sierra. En este caso, sustituya la rueda dentada.

Coloque siempre un anillo de retención cuando sustituya la rueda dentada.

## Mantenimiento de la cadena y de los frenos de detención

Los sistemas de freno son unas características de seguridad muy importantes. Al igual que cualquier otro componente de la sierra de cadena, pueden sufrir un

cierto grado de desgaste. Deben ser inspeccionados regularmente en un taller de reparaciones especialista en MAKITA. Esta medida es para su propia seguridad.

## Almacenamiento de la herramienta

El aceite para cadenas de sierra biodegradable sólo puede almacenarse durante un período limitado.

Dos años después de su fabricación, los aceites biológicos comienzan a adquirir una calidad adhesiva y provocan daños en la bomba de aceite y en los componentes del sistema de lubricación.

- Cuando no vaya a utilizar la sierra de cadena durante un período superior a este plazo, vacíe el depósito de aceite y llénelo con una pequeña cantidad de aceite para motor (SAE 30).
- Ponga en marcha la sierra brevemente para extraer los residuos del aceite biológico del depósito, el sistema de lubricación y el mecanismo de la sierra.

**Tras dejar de utilizar la sierra de cadena, se producirán pequeñas fugas de aceite de cadena durante algún tiempo. Esto es normal y no indica ningún fallo.**

Almacene la sierra de cadena sobre una superficie adecuada.

Antes de volver a utilizar la sierra de cadena, llene el depósito con aceite para cadenas de sierra BIOTOP nuevo.

Para conservar la SEGURIDAD y la FIABILIDAD del producto, los trabajos de reparación y otros trabajos de mantenimiento y ajuste deberán ser realizados en centros de servicio autorizados de Makita, utilizando siempre repuestos Makita.

## ACCESORIOS

### PRECAUCIÓN:

- Se recomienda el uso de estos accesorios o complementos con la herramienta Makita especificada en este manual. El uso de otros accesorios o complementos puede conllevar el riesgo de ocasionar daños corporales. Utilice los accesorios o complementos solamente para su fin establecido.

Si necesita cualquier ayuda para obtener más información relativa a estos accesorios, pregunte al centro de servicio Makita local.

- Cadena de sierra
- Vaina
- Barra de guía completa
- Calibre de cadena
- Lima redonda de 4,5 mm
- Lima plana
- Portalimas con lima de 4,5 mm
- Mango de lima
- Aceite para sierras de cadena 1 | BIOTOP
- Aceite para sierras de cadena 5 | BIOTOP
- Grasa multiuso
- Pistola de engrase

# PORTUGUÊS

## Peças fornecidas

- |                                 |  |                                      |
|---------------------------------|--|--------------------------------------|
| 1. Alavanca posterior           | 8. Alavanca                              | 14. Dispositivo receptor da corrente |
| 2. Gatilho                      | 9. Tampa da roda dentada                 | 15. Dispositivo de bloqueio          |
| 3. Tampão do filtro do óleo     | 10. Visor do nível do óleo               |                                      |
| 4. Pega dianteira               | 11. Protecção traseira das mãos          |                                      |
| 5. Protecção dianteira das mãos | 12. Carril serrilhado (batente da garra) |                                      |
| 6. Barra de guia                | 13. Botão de bloqueio                    |                                      |
| 7. Moto-serra                   |  |                                      |

## Descrição geral

- |                          |                                     |                                    |
|--------------------------|-------------------------------------|------------------------------------|
| 1. Botão de bloqueio     | 11. Apertar                         | 20. Destrancado                    |
| 2. Gatilho               | 12. Alavanca                        | 21. Visor                          |
| 3. Pressione             | 13. Baixa                           | 22. Carril serrilhado              |
| 4. Desapertar            | 14. Alta                            | 23. Área de toque                  |
| 5. Tampa da roda dentada | 15. Barra de guia                   | 24. Ranhura do guia de óleo        |
| 6. Manipulo de ajuste    | 16. Moto-serra                      | 25. Orifício de introdução de óleo |
| 7. Pino de ajuste        | 17. Tampão de abastecimento do óleo | 26. Porca                          |
| 8. Gancho                | 18. Protecção para as mãos          | 27. Chave de fendas fendida        |
| 9. Orifício              | 19. Trancado                        | 28. Filtro                         |
| 10. Pequeno orifício     |                                     | 29. Roda dentada                   |

## ESPECIFICAÇÕES

Modelo	UC3020A	UC3520A	UC4020A
Velocidade máxima da corrente (m/s)	13,3		
Comprimento de corte	300 mm	350 mm	400 mm
Moto-serra	Tipo		
	90SG		
	Ângulo de inclinação		
	3/8"		
Nível de potência acústica L <sub>WA</sub> av dB (A) para EN 50144 -1 <sup>1)</sup>	105,3		
Nível de pressão sonora L <sub>pA</sub> av dB (A) no local de trabalho para EN 50144 -1 <sup>1)</sup>	92,3		
Aceleração de vibração a <sub>h,w</sub> av para ISO 50144-2-13 <sup>1)</sup> - Pega dianteira m/s <sup>2</sup>	3,4		3,9
- Pega traseira m/s <sup>2</sup>	4,0		4,5
Bomba de óleo	Automático		
Capacidade do depósito de óleo (l)	0,20		
Transmissão	Directa		
Travão da corrente	Manual		
Travão de desaceleração	Mecânica		
Comprimento total (sem barra de guia)	436 mm		
Peso líquido	3,8 kg		
Cabo de extensão (opcional)	DIN 57282/HO 7RN -F L=30 m máx., 3 x 1,5 mm <sup>2</sup>		

1) O peso igual de atribuição de dados para as condições de carga máxima e funcionamento à velocidade máxima.

- Devido à pesquisa e desenvolvimento constantes, estas especificações estão sujeitas a alteração sem aviso prévio.
- Nota: Estas especificações podem diferir de país para país.

### Símbolos

END218-1

Descrição dos símbolos utilizados na ferramenta.

Certifique-se de que compreende o seu significado, antes da utilização.



..... BLINDAGEM DUPLA

















..... Leia o manual de instruções e siga os avisos e instruções de segurança.



..... Precaução: é necessário um cuidado e atenção especiais!

# REGRAS DE SEGURANÇA ADICIONAIS

ENB098-1

-  ..... Precaução: retire imediatamente a ficha da tomada se o cabo estiver danificado!
-  ..... Precaução: recuo!
-  ..... Proteger contra chuva e humidade!
-  ..... Usar um capacete, óculos e protecção para os ouvidos!
-  ..... Usar luvas de segurança!
-  ..... Retirar a ficha da corrente!
-  ..... Primeiros-socorros
-  ..... Reciclagem
-  ..... Marca CE
-  ..... Comprimento máximo de corte admissível
-  ..... Direcção da corrente
-  ..... Óleo da corrente
-  ..... Travão da corrente libertado/accionado
-  ..... Proibido!

## Utilização prevista

A ferramenta destina-se a cortar madeira e troncos.

## Fonte de alimentação

A ferramenta apenas deve ser ligada a uma fonte de alimentação da mesma tensão que a indicada na chapa de nome, e apenas pode funcionar com uma alimentação monofásica CA. Estão blindadas duplamente, de acordo com a Norma Europeia e podem, assim, ser igualmente utilizadas em tomadas sem fio terra.

## Para sistemas de distribuição de baixa-tensão pública entre 220 V e 250 V.

As operações de mudança dos aparelhos eléctricos podem provocar variações de tensão. O funcionamento deste aparelho em condições de corrente eléctrica desfavoráveis pode causar efeitos adversos no funcionamento de outros equipamentos. Com uma impedância da corrente eléctrica de 0,35 Ohms, poderá presumir-se que não existam efeitos negativos. A tomada utilizada para este dispositivo deve estar protegida com um fusível ou disjuntor de protecção com características de accionamento baixas.

1. **Leia o manual de instruções de forma a familiarizar-se com o funcionamento da moto-serra.**
2. **Antes de utilizar a moto-serra pela primeira vez, obtenha instruções sobre como utilizá-la. Se isto não for possível, pelo menos pratique cortar uma secção redonda de madeira num cavalete antes de começar a trabalhar.**
3. **A moto-serra não deve ser utilizada por crianças ou jovens com menos de 18 anos. Os jovens com mais de 16 anos podem estar isentos desta restrição se estiverem a receber formação sob a supervisão de um perito.**
4. **Trabalhar com moto-serras requer um elevado nível de concentração. Não trabalhe com a serra se não estiver em forma ou a sentir-se bem. Efectue todos os trabalhos com calma e cuidado.**
5. **Nunca trabalhe sob a influência do álcool, drogas ou medicamentos.**

## Utilização adequada

1. **A moto-serra apenas se destina a cortar madeira. Não a utilize, por exemplo, para cortar plástico ou cimento poroso.**
2. **Apenas utilize a moto-serra para as operações descritas neste manual de instruções. Não utilize, por exemplo, para aparar sebes ou fins semelhantes.**
3. **A moto-serra não deve ser utilizada para trabalhos florestais, por exemplo, deitar abaixo ou cortar parcialmente madeira vertical. O cabo da moto-serra não fornece ao operador a mobilidade e segurança necessárias para tal trabalho.**
4. **A moto-serra não se destina a uma utilização comercial.**
5. **Não sobrecarregue a moto-serra.**

## Equipamento de protecção pessoal

1. **O vestuário deve ficar justo, mas não impedir a mobilidade.**
2. **Use vestuário protector durante o trabalho:**
  - Um capacete de segurança testado, se existir o perigo de queda de ramos ou semelhante;
  - Uma máscara para a cara ou óculos de protecção;
  - Protecção adequada para os ouvidos (protectores de ouvidos, protectores personalizados ou adaptáveis). Análise do nível sonoro sob pedido.
  - Luvas de segurança robustas de cabedal;
  - Calças compridas em tecido robusto;
  - Gangas protectoras de tecido resistente ao corte;
  - Sapatos ou botas de segurança com solas não derrapantes, biqueiras em aço e forro de tecido resistente ao corte;
  - Uma máscara de respiração, quando efectuar trabalhos que produzam pó (por exemplo, serrar madeira seca).

## Protecção contra choques eléctricos



..... A moto-serra não deve ser utilizada em tempo frio ou ambientes húmidos, uma vez que o motor eléctrico não é à prova de água.

1. **Apenas ligue a moto-serra a tomada com ligação de fio terra, em circuitos eléctricos testados. Verifique se a tensão do sistema corresponde à da chapa de características. Certifique-se de que está instalado um fusível de linha de 16 A. As serras que são utilizadas ao ar livre devem estar ligadas a um disjuntor residual accionado por corrente com uma corrente de funcionamento não superior a 30 mA.**



..... Se o cabo de ligação for danificado, retire imediatamente a ficha da tomada.

## Práticas de trabalho seguras

1. **Antes de iniciar o trabalho, verifique se a moto-serra está a funcionar correctamente e se a respectiva condição está em conformidade com as normas de segurança. Verifique especialmente se:**
  - O travão da corrente está a funcionar correctamente;
  - O travão de desaceleração está a funcionar correctamente;
  - A barra e a tampa da roda dentada estão correctamente instaladas;
  - A corrente foi afiada e esticada de acordo com as normas;
  - O cabo de alimentação e ficha não estão danificados;

Consulte a secção "VERIFICAÇÕES".

2. Certifique-se sempre de que o cabo de extensão utilizado possui uma secção transversal adequada (consulte "ESPECIFICAÇÕES"). Quando utilizar uma bobina de cabo, retire todo o cabo da bobina. Quando utilizar a serra ao ar livre, certifique-se de que o cabo utilizado se destina a utilização ao ar livre e possui uma capacidade nominal adequada.
3. Não utilize a moto-serra perto de pó ou gases inflamáveis, uma vez que o motor gera faíscas e representa um risco de explosão.
4. Trabalhe apenas em solo firme e com um bom apoio. Tome especial atenção aos obstáculos (por exemplo, o cabo) na zona de trabalho. Tome especial cuidado nas situações em que a humidade, gelo, neve, madeira recentemente cortada ou cascas possam tornar as superfícies escorregadias. Não fique de pé em escadas ou árvores quando utilizar a serra.
5. Tome especial cuidado quando trabalhar num solo inclinado; os troncos e ramos em movimento constituem um potencial perigo.
6. Nunca corte acima da altura dos ombros. (Fig. 1)
7. Segure na moto-serra com ambas as mãos quando a ligar e utilizar. Segure na pega traseira com a mão direita e a pega dianteira com a esquerda. Segure

bem nas pegas com os polegares. A barra e a corrente não devem estar em contacto com quaisquer objectos quando a serra estiver ligada.

8. Retire quaisquer objectos estranhos da área a cortar, tais como areia, pedras, pregos, fios, etc. Os objectos estranhos danificam a barra e a corrente e podem provocar recuos perigosos.
9. Tome especial cuidado quando cortar na proximidade de vedações. Não corte a vedação, uma vez que a serra pode recuar abruptamente.
10. Não corte para dentro do solo.
11. Corte peças de madeira individuais, não em conjuntos ou pilhas.
12. Evite usar a serra para cortar ramos e raízes finos, uma vez que estes podem ficar emaranhados na moto-serra. A perda de equilíbrio representa um perigo.
13. Utilize um suporte seguro (cavelete) quando cortar madeira serrada.
14. Não utilize a moto-serra para retirar ou afastar **pedaços de madeira e outros objectos.**
15. Guie a moto-serra de forma a que nenhuma parte do seu corpo esteja dentro **do percurso da moto-serra. (Fig. 2)**
16. Quando se deslocar entre operações de serragem, aplique o travão da corrente de forma a evitar que a corrente seja utilizada inadvertidamente. Segure a moto-serra pela pega dianteira quando a transportar e não mantenha o dedo no interruptor. Retire a ficha quando fizer pausas ou deixar a moto-serra sem supervisão. Deixe a moto-serra num local onde não represente um perigo.
17. Retire a ficha quando fizer pausas ou deixar a moto-serra sem supervisão. Deixe a moto-serra num local onde não represente um perigo.


## Recuo

1. Podem ocorrer recuos perigosos durante o trabalho com a moto-serra. O recuo deve-se à ponta da barra (especialmente na secção superior) entrar em contacto com madeira ou outro objecto sólido. Isto faz com que a moto-serra seja deflectida na direcção do operador. (Fig. 3)
2. De forma a evitar recuo, observe o seguinte:
  - Nunca inicie o corte com a ponta da barra.
  - Nunca utilize a ponta da barra para cortar. Tome especial cuidado quando continuar cortes que já tenham sido iniciados.
  - Inicie o corte com a corrente a funcionar.
  - Afie sempre correctamente a corrente. Em particular, defina o medidor de profundidade para a altura correcta (consulte "Afiar a corrente" para mais informações).
  - Nunca serre vários ramos ao mesmo tempo.
  - Quando cortar ramos, tome cuidado para evitar que a barra entre em contacto com outros ramos.
  - Quando cortar troncos, mantenha-se afastado de troncos adjacentes. Esteja sempre atento à ponta da barra.
  - Utilize um cavelete.

## Funções de segurança

1. Verifique sempre se as funções de segurança estão a funcionar antes de iniciar o trabalho. Não utilize a moto-serra se as funções de segurança não estiverem a funcionar correctamente.
- **Travão da corrente:**  
A moto-serra possui um travão da corrente que pára a moto-serra numa fracção de segundo. É activada quando a protecção das mãos é empurrada para a frente. A moto-serra pára dentro de 0,15 s e a alimentação de corrente ao motor é interrompida.
  - **Travão de desaceleração: (Fig. 4)**  
A moto-serra está equipada com um travão de desaceleração que pára imediatamente a moto-serra quando o botão Ligar/Desligar é libertado. Isto evita que a moto-serra continue a trabalhar quando é desligada, representando assim um perigo.
    - As **protecções dianteiras e traseiras das mãos** protegem o utilizador contra ferimentos devido a peças de madeira que podem ressaltar ou uma corrente quebrada.
    - Ao bloqueio do gatilho evita que a moto-serra seja acidentalmente ligada.
    - O **dispositivo receptor da corrente** protege o utilizador contra ferimentos se a corrente saltar ou quebrar.

## Transporte e armazenamento

 ..... Quando a moto-serra não está a ser utilizada ou está a ser transportada, retire a ficha da tomada e coloque o dispositivo de bloqueio fornecido com a serra. Nunca transporte a moto-serra em funcionamento.

1. Apenas transporte a moto-serra pela pega dianteira, com a barra a apontar para trás.
2. Mantenha a moto-serra num local seguro, seco e trancado, fora do alcance das crianças. Não guarde a moto-serra ao ar livre.


## Manutenção

1. Retire a ficha da tomada antes de efectuar quaisquer regulações ou manutenção.
2. Verifique regularmente a existência de danos na blindagem do cabo de alimentação.
3. Limpe regularmente a moto-serra.
4. Mandar reparar imediata e correctamente quaisquer estragos no revestimento plástico da moto-serra.
5. Não utilize a serra se o gatilho não estiver a funcionar correctamente. Mandar-o reparar correctamente.
6. Em nenhuma circunstância devem ser feitas quaisquer modificações à moto-serra. A sua segurança está em causa.
7. Não efectue qualquer trabalho de manutenção ou reparação além do descrito neste manual de instruções. Qualquer outro procedimento deve ser efectuado pelo serviço de assistência MAKITA.
8. Apenas utilize peças e acessórios originais MAKITA que se destinem ao seu modelo de moto-serra. A

utilização de outras peças aumenta o risco de acidente.

9. A MAKITA não aceita qualquer responsabilidade por acidentes ou danos caso sejam utilizadas barras, serras ou outros acessórios ou peças não aprovados. Consulte a secção "Excerto da lista de peças sobresselentes" para conhecer as barras e correntes de serra aprovadas.

## Primeiros-socorros

 ..... Não trabalhe sozinho. Trabalhe sempre a uma distância que permita ser ouvido por outra pessoa.

1. Mantenha sempre uma caixa de primeiros-socorros à mão. Substitua imediatamente quaisquer itens que retire do seu interior.
2. Se necessitar de assistência em caso de acidente, indique o seguinte:
  - Onde ocorreu o acidente?
  - O que aconteceu?
  - Quantas pessoas estão feridas?
  - Quais são os ferimentos que apresentam?
  - Quem está a comunicar o acidente?

### NOTA:

As pessoas com má circulação que sejam expostas a vibrações excessivas podem sofrer ferimentos nos vasos sanguíneos ou no sistema nervoso.

As vibrações podem causar os seguintes sintomas nos dedos, mãos ou pulsos: "Adormecimento" (falta de sensação), formigueiro, dor, sensação de picadas, alteração da cor da pele ou da própria pele.

**Se ocorrer qualquer um destes sintomas, consulte um médico!**

## GUARDE ESTAS INSTRUÇÕES

## DESCRIÇÃO DO FUNCIONAMENTO

### PRECAUÇÃO:

- Certifique-se sempre de que a ferramenta está desligada e com o fio desligado da corrente antes de proceder a ajustamentos ou testar a ferramenta.

### O gatilho/interruptor (Fig. 5)

#### PRECAUÇÃO:

- Antes de inserir a ficha da ferramenta na tomada, verifique se o gatilho está a funcionar correctamente e se volta à posição "OFF" quando o solta.

Para evitar que o gatilho seja acidentalmente puxado, é fornecido botão de bloqueio.

Para iniciar a ferramenta, pressione o botão de bloqueio e puxe o gatilho.

Para parar a ferramenta, solte o gatilho.



# MONTAGEM

## PRECAUÇÃO:

- Certifique-se sempre de que a ferramenta está desligada e com o fio desligado da corrente antes de efectuar qualquer trabalho com a ferramenta.

## Instalar ou remover a corrente.

### PRECAUÇÃO:

- Certifique-se sempre de que a ferramenta está desligada e com a ficha desligada da tomada antes de instalar ou remover a corrente.
  - Use sempre luvas quando instalar ou remover a corrente.
1. Para remover a corrente, coloque a alavanca na vertical. (Fig. 6)
  2. Prima a alavanca e, com a alavanca pressionada, rode-a no sentido contrário ao dos ponteiros do relógio para despertar a porca até que a tampa da roda dentada saia. (pressionar a alavanca faz com que a alavanca seja instalada na porca.)
  3. Rode o manípulo de ajuste na direcção contrária à dos ponteiros do relógio para libertar a tensão da corrente.
  4. Retire a tampa da roda dentada.
  5. Retire a corrente e barra guia da moto-serra.
  6. Para instalar a corrente, instale uma extremidade da corrente no topo da barra guia e a outra extremidade à volta da roda dentada. (Fig. 7)

Nesta altura, instale a corrente tal como mostrado na ilustração, uma vez que roda na direcção da seta.

7. Coloque a barra guia na moto-serra.
8. De seguida, rode o manípulo de ajuste no sentido contrário ao dos ponteiros do relógio para deslizar o pino de ajuste na direcção da serra. (Fig. 8)
9. Coloque a tampa da roda dentada na moto-serra de forma a que o gancho na tampa posterior seja introduzido num orifício na moto-serra e o pino de ajuste esteja posicionado no orifício pequeno na barra guia. (Fig. 9)
10. Pressione a alavanca e com a alavanca pressionada rode-a totalmente no sentido dos ponteiros do relógio para apertar a porca. De seguida, rode cerca de um quarto de volta no sentido contrário ao dos ponteiros do relógio para despertar ligeiramente a porca. (Fig. 10)

## Ajustar a tensão da corrente

A corrente pode ficar solta após muitas horas de utilização. Verifique periodicamente a tensão da corrente, antes de utilizar.

Coloque a alavanca na vertical. (Fig. 11)

Pressione a alavanca. Com a alavanca pressionada, rode um quarto de volta no sentido contrário ao dos ponteiros do relógio para despertar ligeiramente a porca. (pressionar a alavanca faz com que a alavanca seja instalada na porca.) (Fig. 12)

Rode o manípulo de ajuste para regular a tensão da corrente. Agarre a corrente no meio da barra guia e levante. A folga entre a barra guia e a faixa de aperto da

moto-serra deve ser de aproximadamente 2 - 4 mm. Se a folga não for de 2 - 4 mm, rode ligeiramente o manípulo de ajuste que fixa a barra guia. Nesta altura, ajuste a ponta da barra guia para que fique a apontar ligeiramente para cima. (Fig. 13)

Com a alavanca pressionada, rode-a totalmente no sentido dos ponteiros do relógio para apertar bem a porca. (Fig. 14)

Volte a colocar a alavanca na posição inicial. (Fig. 15)

### PRECAUÇÃO:

- Uma tensão demasiado excessiva da corrente pode provocar a sua quebra, desgasta da barra guia e quebra do manípulo de ajuste.
- A instalação ou remoção da corrente deve ser efectuada num local limpo, livre de serrim e sujidades semelhantes.

# FUNCIONAMENTO

## Lubrificação

### PRECAUÇÃO:

- Certifique-se sempre de que a ferramenta está desligada e com a ficha desligada da tomada antes de lubrificar a corrente.

Lubrifique a corrente e a barra utilizando um lubrificante para correntes biodegradável, com um agente adesivo. O agente adesivo no lubrificante para correntes evita que o óleo saia demasiadamente rápido da corrente. Não devem ser utilizados óleos minerais, uma vez que são nocivos ao ambiente. (Fig. 16)

### PRECAUÇÃO:

- Evite que o óleo entre em contacto com a pele e os olhos. O contacto com os olhos causa irritações. Em caso de contacto com os óleos, lave imediatamente o olho afectado com água limpa e consulte imediatamente um médico.
- Nunca utilize óleo residual. O óleo residual contém substâncias cancerígenas. Os contaminantes no óleo residual provocam um desgaste acelerado da bomba de óleo, da barra e da corrente. O óleo residual é nocivo ao ambiente.
- Quando encher a moto-serra com óleo para correntes pela primeira vez, ou abastecer o depósito após este estar completamente vazio, ateste de óleo até à extremidade inferior do gargalo de enchimento. O fornecimento de óleo pode por vezes estar obstruído.

Limpe bem a zona em volta do tampão de abastecimento do óleo mostrado na ilustração, para evitar que entre sujidade no depósito de óleo. (Fig. 17)

Desaperte o tampão do enchimento de óleo e acrescente óleo até à extremidade inferior do gargalo de enchimento. Aperte bem o tampão de enchimento do óleo.

Limpe cuidadosamente qualquer resíduo de óleo para correntes entornado.

Quando a serra for utilizada pela primeira vez, poderá demorar até dois minutos até que o óleo da corrente inicie o seu efeito de lubrificação no mecanismo da serra.

Coloque a serra a funcionar sem carga até que o efeito de lubrificação tenha início (consulte "VERIFICAÇÕES").

A capacidade do depósito (200 ml) é suficiente para cerca de 30 minutos de utilização.

## VERIFICAÇÕES

Antes de iniciar o trabalho, efectue as seguintes verificações:

### Verificar a tensão da corrente (Fig. 18)

#### AVISO:

- Retire sempre a ficha da tomada antes de verificar a tensão da corrente e use luvas de segurança.

A corrente está correctamente esticada quando está em contacto com o lado inferior da barra e pode ser elevada cerca de 2 - 4 mm em relação à barra premindo levemente com o dedo.

Verifique frequentemente a tensão da corrente, uma vez que as correntes novas estão sujeitas a alongamento. Uma corrente com demasiada folga pode saltar da barra e representar um risco de acidente.

Se a corrente estiver com demasiada folga: Consulte a secção intitulada "Ajustar a tensão da corrente" e ajuste novamente a tensão da corrente.

### Verificar a acção do interruptor

#### PRECAUÇÃO:

Retire sempre a ficha da tomada antes de testar o gatilho. É proibido bloquear o gatilho na posição "ON". Não deve ser possível pressionar o gatilho a não ser que o botão de desbloqueio seja premido primeiro.

O gatilho não deve ficar encravado na posição de premido. Quando libertado, o gatilho deve regressar automaticamente à posição "OFF" e o botão de desbloqueio deve regressar à posição inicial. (Fig. 19)

### Verificar o travão da corrente

#### NOTA:

- Se a moto-serra não arrancar, é necessário libertar o travão da corrente. Puxe com firmeza a protecção das mãos para atrás, até que sinta engatar.

Segure na moto-serra com ambas as mãos quando a ligar. Segure na pega traseira com a mão direita e a pega dianteira com a esquerda. A barra e corrente não devem estar em contacto com qualquer objecto.

Prima primeiro o botão de desbloqueio e, de seguida, o gatilho. A moto-serra começa imediatamente a funcionar.

Prima a protecção das mãos para a frente, utilizando a parte posterior da mão. A moto-serra deve parar imediatamente. (Fig. 20)

#### PRECAUÇÃO:

- Se a moto-serra não parar imediatamente quando este teste é efectuado, a serra não poderá ser utilizada em nenhuma circunstância. Consulte uma loja de reparações especializada MAKITA.

### Verificar o travão de desaceleração

Ligue a moto-serra.

Liberte totalmente o gatilho. A moto-serra deve parar no espaço de um segundo.

#### PRECAUÇÃO:

- Se a moto-serra não parar no espaço de um segundo após este teste ter sido efectuado, a moto-serra não deve ser utilizada. Consulte uma loja de reparações especializada MAKITA.

### Verificar o lubrificador da corrente (Fig. 21)

Antes de começar a trabalhar, verifique o nível de óleo no depósito e o fornecimento de óleo.

O nível do óleo pode ser visto no visor, tal como indicado na ilustração.

Verifique o fornecimento de óleo da seguinte forma:

Ligue a moto-serra.

Com a moto-serra a trabalhar, segure a moto-serra aproximadamente 15 cm acima do tronco de uma árvore ou do solo. Se a lubrificação for adequada, a pulverização de óleo produzirá uma leve camada de óleo. Observe a direcção do vento e não se exponha desnecessariamente à pulverização do óleo.

#### PRECAUÇÃO:

- Se não se formar uma película de óleo, não utilize a moto-serra. Caso contrário, a longevidade da corrente será reduzida. Verifique o nível do óleo. Limpe a ranhura de fornecimento de óleo e o orifício de fornecimento do óleo na barra (consulte "MANUTENÇÃO").

## TRABALHAR COM A MOTO-SERRA

### Cortar troncos

Para cortar troncos, coloque o carril serrilhado, mostrado na ilustração, na madeira a cortar. (Fig. 22)

Com a moto-serra a funcionar, serre a madeira, utilizando a pega traseira para elevar a serra e a pega dianteira para a guiar. Utilize um carril serrilhado como suporte.

Continue o corte aplicando uma ligeira pressão à pega dianteira, empurrando ligeiramente a moto-serra. Mova o carril serrilhado mais para baixo na madeira e levante novamente a pega dianteira.

Quando efectuar vários cortes, desligue a moto-serra entre cortes.

#### PRECAUÇÃO:

- Se a extremidade superior da barra for utilizada para cortar, a moto-serra deve ser deflectida na sua direcção se a corrente ficar encravada. Por esta razão, corte com a extremidade inferior, de forma a que a moto-serra seja deflectida para longe do seu corpo. (Fig. 23)

Corte primeiro a madeira sob tensão no lado de pressão (A). De seguida, faça o corte final no lado da tensão (B). Isto evita que a barra fique encravada. (Fig. 24)

### Cortar ramos

#### PRECAUÇÃO:

- Cortar ramos apenas deve ser efectuado por pessoas com formação adequada. Existe o perigo de de recuo.

Quando cortar ramos, suporte a moto-serra no tronco, se possível. Não corte com a ponta da barra, uma vez que isto apresenta o risco de recuo.

Tome especial atenção aos ramos sob tensão. Não corte ramos não suportados a partir de baixo.

Não fique em cima de um tronco cortado quando cortar ramos.

### Cortes transversais e paralelos ao grão

#### PRECAUÇÃO:

- Os cortes transversais e paralelos ao grão apenas deve ser efectuados por pessoas com formação especial. A possibilidade de recuo representa um perigo de ferimentos.

Efectue os cortes paralelos ao grão a um ângulo mais baixo possível. Efectue o corte o mais cuidadosamente possível, uma vez que o carril serrilhado não pode ser utilizado. (Fig. 25)

### Abate de árvores

#### PRECAUÇÃO:

- O abate de árvores apenas deve ser efectuado por pessoas com formação adequada. O trabalho é perigoso.

Obedeça às normas locais se pretender abater uma árvore. (Fig. 26)

- Antes de iniciar o abate, certifique-se de que:
  - Apenas estão por perto pessoas directamente envolvidas na operação de abate;
  - Qualquer pessoa envolvida possui um caminho de retirada sem obstáculos num ângulo de cerca de 45 ° em relação a qualquer eixo do abate. Considere o risco adicional de tropeçar em cabos eléctricos;
  - A base do tronco está livre de objectos estranhos, raízes e ramos;
  - Não existem pessoas ou objectos presentes a uma distância de 2 1/2 comprimentos de árvore na direcção em que a árvore irá cair.
- Considere o seguinte em relação a cada árvore:
  - Direcção da inclinação;
  - Ramos secos ou soltos;
  - Altura da árvore;
  - Inclinação natural;
  - Se a árvore está ou não podre.
- Considere a velocidade e direcção do vento. Não efectue o trabalho de abate se o vento estiver com fortes rajadas.
- Corte de raízes inchadas: Comece com os inchaços maiores. Efectue primeiro o corte vertical e, de seguida, o corte horizontal. (Fig. 27)
- Cortar um traço de abate: O traço de abate determina a direcção em que a árvore irá cair, e guia-a. É efectuado de lado, na direcção em que a árvore vai cair. Corte o traço de abate o mais perto do solo possível. Faça primeiro o corte horizontal a uma profundidade de 1/5 -1/3 do diâmetro do tronco. Não faça o traço de abate demasiado largo. De seguida, faça o corte diagonal.

- Corte quaisquer correcções no traço de abate ao longo de todo o respectivo comprimento. (Fig. 28)
- Efectue o corte tangencial um pouco mais alto do que o corte base do traço de abate. O corte tangencial deve ser exactamente na horizontal. Deixe cerca de 1/10 do diâmetro do tronco entre o corte tangencial e o traço de abate. As fibras da madeira na parte não cortada do tronco funcionam como uma dobradiça. Não corte directamente através das fibras em nenhuma circunstância, caso contrário a árvore cairá sem ser verificada. Introduza atempadamente calços no traço de abate.
- Apenas devem ser utilizados calços de plástico ou alumínio para manter o traço aberto. A utilização de calços de ferro é proibida.
- Fique ao lado da árvore a cair. Mantenha uma área livre na zona traseira da árvore a cair até um ângulo de 45 ° em ambos os lados do eixo da árvore (consulte a ilustração "zona do abate"). Tome atenção aos ramos em queda.

## MANUTENÇÃO

#### PRECAUÇÃO:

- Certifique-se sempre de que a ferramenta está desligada e o fio desligado da corrente antes de inspecionar ou fazer a manutenção da ferramenta.
- Use sempre luvas quando efectuar qualquer inspecção ou manutenção.

Efectue periodicamente os trabalhos de manutenção descritos em baixo. As reclamações de garantia apenas serão aceites se estas operações forem efectuadas regular e adequadamente.

Apenas podem ser efectuados pelo utilizador os trabalhos de manutenção descritos neste manual de instruções. Qualquer outro procedimento deve ser efectuado por uma loja de reparação especializada MAKITA.

### Limpar a moto-serra

Limpe regularmente a moto-serra com um pano limpo. As pegas, em especial, devem ser mantidas livres de óleo.

### Verificar o corpo de plástico da moto-serra

Efectue inspecções visuais regulares em todas as partes do corpo da moto-serra. Se ficarem danificadas quaisquer peças, mande-as reparar imediata e correctamente por uma loja de reparação especializada MAKITA.

### Afiar a corrente

#### PRECAUÇÃO:

- Retire sempre a ficha da tomada e use luvas de segurança quando trabalhar na corrente. (Fig. 29)

#### Afie a corrente quando:

- É produzido serrim afarinhado quando é cortada madeira húmida;
- A corrente penetra na madeira com dificuldade, mesmo quando é aplicada bastante pressão;
- A extremidade de corte está obviamente danificada;

- A serra puxa para a esquerda ou direita da madeira. A razão para este comportamento é uma afiação desigual da corrente, ou danos em apenas um lado.

### **Afie com frequência a corrente, mas remova pouco material de cada vez.**

Duas ou três passagens com uma lima são normalmente suficientes para as afiações de rotina.

Quando a serra tiver sido afiada várias vezes, mande-a afiar por uma loja de reparação especializada MAKITA.

### **Critérios de afiação:**

- Todos os cortadores devem ter o mesmo comprimento (dimensão a). Os cortadores com comprimentos diferentes evitam que a corrente funcione com suavidade e poderá fazer quebrar a corrente.
- Não afie a corrente quando o comprimento mínimo de 3 mm do cortador tiver sido alcançado. Deve ser instalada uma nova corrente.
- A espessura de corte é determinada pela distância entre o medidor de profundidade (ponta redonda) e a extremidade de corte. Os melhores resultados de corte são obtidos com uma distância de 0,5 mm entre a extremidade de corte e o medidor de profundidade. (Fig. 30)

### **AVISO:**

- Uma distância excessiva aumenta o risco de recuo.
- O ângulo de afiação de 30 ° de distância deve ser o mesmo em todos os cortadores. As diferenças em ângulo fazem com que a corrente funcione de forma irregular, aumenta o desgaste e pode fazer quebrar a corrente.
- O ângulo da chapa lateral do cortador de 80 ° é determinado pela profundidade da penetração da lima redonda. Se a lima especificada for utilizada correctamente, o ângulo da chapa lateral correcto é produzido automaticamente. (Fig. 31)

### **Lima e guia da lima (Fig. 32 - 34)**

- Utilize uma lima especial redonda (acessório opcional) para moto-serras, com um diâmetro de 4,5 mm, para afiar a corrente. As limas redondas normais não são adequadas.
- A lima apenas deve entrar em contacto com o material na passagem para a frente. Levante a lima do material na passagem de regresso.
- Afie primeiro o cortador mais curto. O comprimento deste cortador será a dimensão para todos os outros cortadores na corrente.
- Guie a lima tal como indicado na ilustração. A lima pode ser guiada mais facilmente se for utilizada um suporte para limas (acessório opcional).
- O suporte para limas possui marcas para a afiação correcta a um ângulo de 30 ° (alinhe as marcas em paralelo com a corrente) e limita a profundidade de penetração (até 4/5 do diâmetro da lima).
- Após afiar a corrente, verifique a altura do medidor de profundidade utilizando a ferramenta de medição da corrente (acessório opcional).
- Retire qualquer material de projecção, mesmo que pequeno, com uma lima especial plana (acessório opcional).

- Arredonde novamente a parte dianteira do medidor de profundidade.

## **Limpar a barra guia e lubrificar a roda dentada de retorno**

### **PRECAUÇÃO:**

- Use sempre luvas de segurança para esta tarefa. As limalhas representam um risco de ferimento. (Fig. 35)

Verifique regularmente a existência de danos nas superfícies corrediças da barra. Limpe utilizando uma ferramenta adequada e remova as limalhas, se necessário.

Se a moto-serra for utilizada com frequência, lubrifique o rolamento do da roda dentada de retorno pelo menos uma vez por semana. Antes de adicionar nova massa lubrificante, limpe cuidadosamente o orifício de 2 mm na ponta da barra guia e force uma pequena quantidade de massa lubrificante multifunções (acessório opcional) para dentro do orifício.

### **Limpar o guia de óleo (Fig. 36)**

- Limpe regularmente a ranhura guia de óleo e o orifício de fornecimento do óleo na barra.

### **Mudar o filtro do óleo no orifício de descarga do óleo**

Durante o funcionamento, pode acumular-se pó ou pequenas partículas no filtro de óleo no orifício de descarga do óleo. O pó ou as pequenas partículas acumuladas no filtro de óleo poderão impedir o fluxo de descarga do óleo e causar uma lubrificação insuficiente em toda a serra.

Quando ocorre um mau fornecimento de óleo no cimo da barra guia, limpe o filtro da seguinte forma.

Desligue a ferramenta da tomada.

Retire a tampa dos dentes e a serra da ferramenta. (Consulte a secção intitulada "Instalar ou remover a serra".)

Remova a porca utilizando uma chave de fendas fendida com um eixo mais esguio, ou uma chave semelhante. (Fig. 37)

Retire o filtro da serra e remova o pó ou pequenas partículas que nele existam.

Quando o filtro estiver demasiado sujo, substitua-o por um novo.

Ligue a ferramenta à tomada. (Fig. 38)

Puxe o gatilho para soprar o pó ou partículas acumuladas do orifício de descarga do óleo, descarregando o óleo da corrente.

Desligue a ferramenta da tomada. (Fig. 39)

Introduza o filtro do óleo limpo no orifício de descarga do óleo. Quando o filtro estiver demasiado sujo, substitua-o por um novo. (Fig. 40)

Introduza a porca com o lado correcto virado para cima, tal como indicado na ilustração, para dentro do orifício de descarga do óleo, de forma a fixar o filtro. Quando o filtro

não puder ser fixado devido à porca estar danificada, substitua a porca por uma nova.

Volte a instalar a tampa dos dentes e a serra na ferramenta. (Fig. 41)

## Novas correntes

Utilize duas ou três correntes de forma alternada, de forma a que a corrente, roda dentada e superfícies corrediças da barra sejam desgastadas uniformemente.

Rode a barra quando mudar a corrente, de forma a ranhura da barra se desgaste uniformemente.

### PRECAUÇÃO:

- Utilize apenas correntes e barras que são aprovadas para este modelo de serra (consulte "ESPECIFICAÇÕES"). (Fig. 42)

Antes de instalar uma nova corrente, verifique o estado da roda dentada.

### PRECAUÇÃO:

- Uma roda dentada desgastada danificará uma corrente nova. Neste caso, mande substituir a roda dentada.

Instale sempre uma nova anilha de bloqueio quando substituir a roda dentada.

## Efectuar a manutenção da corrente e travões de desaceleração.

Os sistemas de travagem representam funcionalidades de segurança muito importantes. Tal como qualquer outro componente da moto-serra, estão sujeitos a um determinado grau de desgaste. Devem ser inspeccionados regularmente por uma loja de reparação especializada MAKITA. Esta medida é para sua segurança.

## Guardar a ferramenta

O óleo biodegradável da moto-serra apenas pode ser guardado durante um período limitado.

Após dois anos da data de fabrico, os óleos biodegradáveis começam a adquirir uma qualidade adesiva e danificam a bomba de óleo e os componentes no sistema de lubrificação.

- Antes retirar a moto-serra fora de serviço durante um período mais prolongado, esvazie o depósito de óleo e encha-o com uma pequena quantidade de óleo do motor (SAE 30).
- Coloque a corrente a funcionar brevemente para esvaziar todos os resíduos de óleo biológico do depósito, sistema de lubrificação e mecanismo de serra.

**Quando a moto-serra é retirada de serviço, ocorrem pequenas fugas de óleo da corrente durante algum tempo. Isto é normal e não constitui uma avaria.**

Guarde a moto-serra numa superfície adequada.

Antes voltar a colocar a moto-serra em serviço, abasteça com óleo para correntes BIOTOP novo.

Para manter os níveis de SEGURANÇA e FIABILIDADE definidos para este produto, reparações, operações de manutenção ou ajustes devem ser executados por

centros de assistência Makita autorizados e, no caso de substituição de peças, estas devem ser igualmente Makita.

## ACESSÓRIOS

### PRECAUÇÃO:

- Os seguintes acessórios ou extensões são os recomendados para utilizar com a ferramenta Makita especificada neste manual. A utilização de outros acessórios ou extensões podem provocar ferimentos. Utilize cada acessório ou extensão apenas para o fim indicado.

Se precisar de informações adicionais relativas aos acessórios, contacte o centro local de assistência Makita.

- Moto-serra
- Dispositivo de bloqueio
- Barra guia completa
- Medidor da corrente
- Lima redonda de 4,5 mm
- Lima plana
- Suporte para limas com lima de 4,5 mm
- Pega da lima
- 1 l de óleo para correntes BIOTOP
- 5 l de óleo para correntes BIOTOP
- Massa lubrificante multifunções
- Pistola de lubrificar

**Leverede dele**

- |                           |                    |                            |
|---------------------------|--------------------|----------------------------|
| 1. Bageste håndtag        | 6. Sværd           | 11. Forreste håndbeskytter |
| 2. Kontaktgreb            | 7. Savkæde         | 12. Takket kant (stopklo)  |
| 3. Oliefilterdæksel       | 8. Arm             | 13. Låseknop               |
| 4. Forreste håndtag       | 9. Kædehjulsdæksel | 14. Kædefanger             |
| 5. Forreste håndbeskytter | 10. Oliestandmåler | 15. Hylster                |

**Forklaring til generel oversigt**

- |                            |                   |                                |
|----------------------------|-------------------|--------------------------------|
| 1. Låseknop                | 11. Stram         | 21. Kontrolglas                |
| 2. Kontaktgreb             | 12. Arm           | 22. Takket kant                |
| 3. Tryk ind                | 13. Lav           | 23. Fældningsområde            |
| 4. Løsn                    | 14. Høj           | 24. Oliestyrrille              |
| 5. Kædehjulsdæksel         | 15. Sværd         | 25. Oliepåfyldningshul         |
| 6. Drejeknap til justering | 16. Savkæde       | 26. Trykmatrix                 |
| 7. Justeringspind          | 17. Oliedæksel    | 27. Skruetrækker med kærvspids |
| 8. Krog                    | 18. Håndbeskytter | 28. Filter                     |
| 9. Hul                     | 19. Lås           | 29. Kædehjul                   |
| 10. Lille hul              | 20. Lås op        |                                |

**SPECIFIKATIONER**

Model		UC3020A	UC3520A	UC4020A
Maks. kædehastighed (m/s)		13,3		
Skærelængde		300 mm	350 mm	400 mm
Savkæde	Type	90SG		
	Tandafstand	3/8"		
Lydkraftniveau L WA av dB (A) til EN 50144 -1 <sup>1)</sup>		105,3		
Lydtryksniveau L WA av dB (A) på arbejdsstedet til EN 50144 -1 <sup>1)</sup>		92,3		
Vibrationsacceleration a <sub>h,w</sub> av til ISO 50144-2-13 <sup>1)</sup> - Forreste håndtag m/s <sup>2</sup>		3,4		3,9
- Bageste håndtag m/s <sup>2</sup>		4,0		4,5
Oliepumpe		Automatisk		
Oliebeholderens kapacitet (l)		0,20		
Kraftoverføring		Direkte		
Kædebremse		Manuel		
Stopbremse		Mekanisk		
Længde i alt (uden sværd)		436 mm		
Nettovægt		3,8 kg		
Forlængerledning (tilbehør)		DIN 57282/HO 7RN -F L=30 m maks., 3 x 1,5 mm <sup>2</sup>		

1) Dataene vægter driftsbetingelserne ved fuld belastning og ved maksimal hastighed ligeligt.

- På grund af vores løbende forsknings- og udviklingsprogram kan specifikationerne heri ændres uden forudgående varsel.
- Bemærk: Specifikationerne kan variere fra land til land.


**Symboler**


END218-1

Følgende viser de symboler, der benyttes for værktøjet.

Vær sikker på, at De forstår deres betydning, før De bruger værktøjet.

 ..... DOBBELT ISOLERET

 ..... Læs brugsanvisningen, og følg advarselne og sikkerhedsinstruktionerne.

 ..... Forsigtig: Vær ekstra forsigtig og opmærksom!

-  ..... Forsigtig: Tag med det samme stikket ud af stikkontakten, hvis ledningen er beskadiget!
-  ..... Forsigtig: Tilbageslag!
-  ..... Beskyt mod regn og fugt!
-  ..... Bær hjelm, beskyttelsesbriller og høreværn!
-  ..... Bær arbejdshandsker!
-  ..... Tag stikket ud af stikkontakten!
-  ..... Førstehjælp
-   ..... Genbrug
-  ..... CE-mærkning
-  ..... Maks. tilladte længde af snit
-  ..... Kædens rotationsretning
-  ..... Kædeolie
-  ..... Kædebremse udløst/anvendt
-  ..... Forbudt!

### Tilsigtet brug

Dette værktøj er beregnet til at skære i tømmer og træstammer.

### Strømforsyning

Værktøjet bør kun sluttes til en strømforsyning med den spænding, der er angivet på navnepladen, og det kan kun benyttes med enkeltfaset vekselstrøm. Det er dobbelt isoleret i overensstemmelse med europæisk standard og kan derfor også sluttes til stikkontakter uden jordforbindelse.

### Til offentlige lavspændingssystemer på mellem 220 V og 250 V.

Når der tændes og slukkes for elektriske apparater, medfører det spændingsudsving. Anvendelse af dette udstyr under dårlige strømforsyningsforhold kan have negativ indflydelse på anvendelsen af andet udstyr. Ved en strømforsyningsimpedans på eller under 0,35 Ohm vil der sandsynligvis ikke være negative effekter. Den stikkontakt, der benyttes til udstyret, skal være beskyttet med en sikring eller beskyttende kortslutningsafbryder med langsom udløsning.

## YDERLIGERE SIKKERHEDSREGLER

ENB098-1

1. Læs brugsanvisningen for at gøre Dem selv bekendt med brugen af motorsaven.

2. Før De bruger motorsaven første gang, skal De sørge for at være instrueret i brugen. Hvis dette ikke er muligt, skal De øve Dem ved at save i rundt tømmer på en savbuk, før De påbegynder arbejdet.
3. Motorsaven må ikke anvendes af børn eller unge på under 18 år. Unge på mindst 16 år er muligvis undtaget fra denne regel, hvis de er under oplæring under opsyn af en ekspert.
4. Arbejde med motorsaven kræver et højt koncentrationsniveau. De må ikke arbejde med saven, hvis De er syg eller utilpas. Udfør alt arbejde roligt og forsigtigt.
5. De må ikke arbejde under påvirkning af alkohol, narkotika eller medicin.


### Korrekt brug

1. Motorsaven er udelukkende beregnet til at save i træ. Anvend den ikke til f.eks. at save i plastik eller gasbeton.
2. Anvend kun motorsaven til formål, der er beskrevet i denne brugsanvisning. Anvend den ikke til f.eks. at klippe hæk eller til lignende formål.
3. Motorsaven må ikke anvendes til skovarbejde, dvs. til at fælde og beskære stående træer. Motorsavens ledning giver ikke operatøren den mobilitet og sikkerhed, der kræves til denne type arbejde.
4. Motorsaven er ikke beregnet til kommercielt brug.
5. Undlad at overbelaste motorsaven.


### Personligt beskyttelsesudstyr

1. Der skal bæres tøj, der sidder tæt uden at begrænse bevægeligheden.
2. Bær følgende beskyttelsesudstyr under arbejdet:
  - En afprøvet sikkerhedshjelm for det tilfælde, at der opstår fare pga. nedfaldende grene eller lignende.
  - En ansigtsmaske eller beskyttelsesbriller.
  - Passende høreværn (øreklapper, tilpassede eller formbare ørepropper). Oktavmærkeanalyse efter anmodning.
  - Solide læderarbejdshandsker.
  - Lange bukser fremstillet af slidstærkt stof.
  - Beskyttende arbejdsbukser af skæresikkert stof.
  - Sikkerhedssko eller støvler med skridsikre såler, stålsnuder og skæresikkert stof.
  - En beskyttelsesmaske, når der udføres arbejde, som udvikler støv (f.eks. savning i tørt træ).

### Beskyttelse mod elektrisk stød

-  ..... Motorsaven må ikke anvendes under våde vejrforhold eller i fugtige miljøer, da elmotoren ikke er vandtæt.
1. Sæt kun saven i jordforbundne stikkontakter i testede elektriske kredsløb. Kontroller, at spændingen svarer til den, der er angivet på mærkepladen. Sørg for, at der er monteret en 16 A sikring. Hvis saven benyttes udendørs, skal den sluttes til en strømledning

## afledningskortslutningsafbryder med en driftsstrøm på højst 30 mA.

 Tag med det samme stikket ud af stikkontakten, hvis netledningen bliver beskadiget.

## Sikre arbejdsmåder

### 1. Før De påbegynder arbejdet, skal De sikre Dem, at motorsaven er i korrekt funktionsstand, og at dens tilstand overholder sikkerhedsreglerne. Se især efter, at:

- Kædebremsen fungerer korrekt.
- Stopbremsen fungerer korrekt.
- Sværdet og kædehjulsdækslet er monteret korrekt.
- Kæden er sletet og strammet i overensstemmelse med reglerne.
- Netledningen og stikket ikke er beskadiget.

Se afsnittet "KONTROL"

2. Sørg især altid for, at den forlængerledning, der benyttes, har det rigtige tværsnit (se under "SPECIFIKATIONER"). Når der anvendes et kabelhjul, skal ledningen rulles helt af hjulet. Hvis saven benyttes udendørs, skal De sikre Dem, at den anvendte ledning er beregnet til udendørs brug, og at den er normeret korrekt.
3. Anvend ikke motorsaven i nærheden af brændbart støv eller dampe, da motoren udvikler gnister og kan medføre eksplosionsfare.
4. Arbejd kun på solidt underlag og med et sikkert fodfæste. Vær især opmærksom på forhindringer (f.eks. ledningen) i arbejdsområdet. Vær særligt forsigtig, når fugt, is, sne, nyfældet træ eller bark kan gøre overflader glatte. Stå ikke på stiger eller træer under anvendelse af saven.
5. Vær især forsigtig, når De arbejder på hældende steder. Rullende stammer og grene kan udgøre en fare.
6. Skær aldrig over skulderhøjde. (Fig. 1)
7. Hold motorsaven med begge hænder, når den tændes og anvendes. Hold det bageste håndtag med højre hånd og det forreste håndtag med venstre hånd. Hold fast omkring håndtagene med tommelfingrene. Sværdet og kæden må ikke berøre genstande, når der tændes for saven.
8. Ryd det sted, der skal saves, for fremmedobjekter som sand, sten, søm, ståltråd osv. Fremmedobjekter kan beskadige sværdet og kæden og kan medføre farligt tilbageslag.
9. Vær især opmærksom, hvis De saver i nærheden af ståltrådshegn. Sav ikke ind i hegnet, da saven kan slå tilbage.
10. Sav ikke ned i jorden.
11. Sav træemner enkeltvis, ikke i bundter eller stabler.
12. Undlad at bruge saven til at save i tynde grene og rødder, da de kan blive viklet ind i motorsaven. De risikerer at miste balancen.
13. Anvend en solid støtte (savbuk) ved savning i savet tømmer.
14. Anvend ikke motorsaven til at fjerne eller børste **træstykker og andre genstande væk**.

15. Vend saven sådan, at ingen del af Dem selv befinder sig i **forlængelse af savkæden**. (Fig. 2)
16. Når De bevæger Dem omkring mellem savningsarbejder, skal De anvende kædebremsen for at forhindre, at kæden går i gang utilsigtet. Hold motorsaven i det forreste håndtag, når den bæres, og sæt ikke fingeren på kontakten. Tag stikket ud af stikkontakten, når De holder pauser eller efterlader saven uden opsyn. Læg motorsaven på et sted, hvor den ikke udgør en risiko.
17. Tag stikket ud af stikkontakten, når De holder pauser eller efterlader saven uden opsyn. Læg motorsaven på et sted, hvor den ikke udgør en risiko.

## Tilbageslag

1. Der kan opstå farligt tilbageslag under arbejdet med motorsaven. Tilbageslag opstår, når spidsen af sværdet (især den øverste fjerdedel) kommer i kontakt med træ eller andre faste genstande. Derved slås motorsaven tilbage i retning mod operatøren. (Fig. 3)
2. Overhold følgende retningslinjer for at undgå tilbageslag:
  - Start aldrig et snit med spidsen af sværdet.
  - Anvend aldrig spidsen af sværdet til savning. Vær især opmærksom ved genoptagelse af snit, der allerede er påbegyndt.
  - Start først snittet, når kæden kører.
  - Slib altid kæden korrekt. Sørg især for at indstille dybdemåleren til den korrekte højde (der er yderligere oplysninger under "Slibning af kæden").
  - Sav aldrig i flere grene ad gangen.
  - Sørg for, at sværdet ikke kommer i kontakt med andre grene under afgang.
  - Hold afstand til nærliggende stammer ved savning i træstammer. Hold altid øje med sværdspidsen.
  - Anvend en savbuk.

## Sikkerhedsfunktioner

1. Kontroller altid, at sikkerhedsfunktionerne fungerer korrekt, før De påbegynder arbejdet. Anvend ikke motorsaven, hvis sikkerhedsfunktionerne ikke fungerer korrekt.

### - Kædebremse

Motorsaven har en kædebremse, der stopper savkædens bevægelse på en brøkdæl af et sekund. Bremsen aktiveres, når håndbeskytteren skubbes fremad. Savkæden stoppes inden for 0,15 sekund, og strømmen til motoren afbrydes.

### - Stopbremse: (Fig. 4)

Motorsaven er udstyret med en stopbremse, der stopper savkæden med det samme, når der trykkes på ON/OFF-kontakten. Dette forhindrer savkæden i at udgøre en fare ved at fortsætte med at køre, når der er slukket for saven.

- De **forreste og bageste håndbeskyttere** beskytter brugeren mod personskade på grund af træstykker, der slynges bagud, eller på grund af en knækket savkæde.
- Håndtagsslåsen forhindrer, at motorsaven tændes ved et uheld.



- **Kædefangeren** beskytter brugeren mod personskade i tilfælde af, at kæden hopper af eller knækker.

## Transport og opbevaring



..... Når motorsaven ikke er i brug, eller når den transporteres, skal De tage stikket ud af stikkontakten og sætte det hylster, der fulgte med saven, på. De må aldrig bære eller transportere saven, mens savkæden kører.

1. Bær motorsaven i det forreste håndtag, så sværdet peger bagud.
2. Opbevar motorsaven i et sikkert, tørt og aflåst rum og utilgængeligt for børn. Undlad at opbevare motorsaven udendørs.

## Vedligeholdelse

1. Tag stikket ud af stikkontakten, før De udfører nogen justeringer eller vedligeholdelse.
2. Kontroller regelmæssigt nedledningen for, om isoleringen er beskadiget.
3. Rengør jævnligt motorsaven.
4. Beskadigelse af plastikdækslet skal repareres med det samme og korrekt.
5. Undlad at anvende saven, hvis kontaktgrebet ikke fungerer korrekt. Få det repareret korrekt.
6. De må under ingen omstændigheder foretage ændringer til motorsaven. Det kan udgøre en risiko for Deres sikkerhed.
7. Undlad at udføre anden vedligeholdelse eller reparation end det, der er beskrevet i denne brugsanvisning. Alt andet arbejde skal udføres hos et MAKITA-servicecenter.
8. Anvend kun originale MAKITA-reservedele og tilbehør, der er beregnet til Deres savmodel. Ved brug af andre reservedele forøges risikoen for uheld.
9. MAKITA påtager sig ikke ansvar for uheld eller skade, hvis der er benyttet ikke-godkendte sværd, savkæder eller andre reservedele eller andet tilbehør. Se under "Uddrag fra listen over reservedele" for godkendte sværd og kæder.

## Førstehjælp



..... Arbejd aldrig alene. Arbejd altid inden for kaldeafstand af en anden person.

1. Hav altid en førstehjælpskasse ved hånden. Erstæt med det samme genstande, der benyttes fra den.
2. Hvis De har brug for at tilkalde hjælp i tilfælde af et uheld, skal De oplyse følgende:
  - Hvor er uheldet sket?
  - Hvad er der sket?
  - Hvor mange personer er kommet til skade?
  - Hvilke læsioner har de?
  - Hvem rapporterer uheldet?

## BEMÆRK:

Personer med dårligt blodomløb, der udsættes for kraftige vibrationer, risikerer beskadigelse af blodkar eller nervesystemet.

Vibrationer kan medføre følgende symptomer i fingre, hænder eller håndled: Leddet "sover" (følelseløshed), prikken, smerte, stikken, ændring af hudfarven eller af huden.

**Søg læge, hvis nogle af disse symptomer opstår!**

## GEM DISSE INSTRUKTIONER

### FUNKTIONSBESKRIVELSE

#### FORSIGTIG:

- Sørg altid for, at værktøjet er slukket, og at stikket er taget ud af stikkontakten, før De justerer værktøjet eller kontrollerer dets funktion.

### Betjening af kontakt (Fig. 5)

#### FORSIGTIG:

- Før værktøjet tilsluttes, skal De altid kontrollere, at kontaktgrebet reagerer korrekt og vender tilbage i "OFF"-stillingen, når De slipper det.

En låseknop forhindrer, at kontaktgrebet trækkes op ved et uheld.

Værktøjet startes ved at trykke låsehåndtaget ind og trække i kontaktgrebet.

Slip kontaktgrebet for at stoppe.

## MONTERING

#### FORSIGTIG:

- Sørg altid for, at værktøjet er slukket og taget ud af stikkontakten, før De udfører nogen form for arbejde på værktøjet.

### Montering eller afmontering af savkæden

#### FORSIGTIG:

- Sørg altid for, at værktøjet er slukket, og at stikket er taget ud af stikkontakten, før De monterer eller afmonterer savkæden.
- Bær altid handsker, når De monterer eller afmonterer savkæden.

1. For at afmontere savkæden flyttes håndtaget til stående position. (Fig. 6)
2. Tryk på håndtaget, hold det inde, og drej det mod uret for at løsne møtrikken, indtil kædehjulsdækslet kan tages af. (Når håndtaget trykkes ind, trykkes muffen på håndtaget ned over møtrikken.)
3. Drej drejknappen mod uret for at løsne stramningen af savkæden.
4. Fjern kædehjulsdækslet.
5. Tag savkæden og sværdet af motorsaven.
6. Ved montering af savkæden sættes den ene ende af savkæden på spidsen af sværdet, og den anden sættes omkring kædehjulet. (Fig. 7)

Monter på dette tidspunkt savkæden som vist i figuren, eftersom den roterer i pilens retning.

7. Sæt sværdet på plads på motorsaven.
8. Drej drejeknappen mod uret for at trække justeringsspinden i pilens retning. (Fig. 8)
9. Sæt kædehjulsdækslet på motorsaven, så krogeren på det bageste dæksel indsættes i et hul i motorsaven, og justeringsspinden er placeret i et lille hul i sværdet. (Fig. 9)
10. Tryk håndtaget ind, hold det inde, og drej det helt med uret for at stramme møtrikken. Drej det derefter cirka en kvart omgang mod uret for at løsne møtrikken en smule. (Fig. 10)

## Justering af savkædens stramning

Savkæden kan blive løs, når den har været brugt i mange timer. Kontroller regelmæssigt savkædens stramning før brugen.

Flyt håndtaget til stående stilling. (Fig. 11)

Tryk håndtaget ind. Hold håndtaget inde, og drej det en kvart omgang mod uret for at løsne møtrikken en smule. (Når håndtaget trykkes ind, trykkes muffen på håndtaget ind over møtrikken.) (Fig. 12)

Drej på drejeknappen for at justere savkædens stramning. Tag fat i savkæden midt på sværdet, og løft den opad. Mellemrummet mellem sværdet og forbindelsesleddet på savkæden skal være cirka 2 – 4 mm. Hvis mellemrummet ikke er cirka 2 – 4 mm, skal De dreje en smule på drejeknappen, der fastgør sværdet. Juster på dette tidspunkt, idet spidsen på sværdet skal pege en smule opad. (Fig. 13)

Tryk håndtaget ned, og drej det helt med uret for at stramme møtrikken fast. (Fig. 14)

Sæt håndtaget tilbage i den oprindelige position. (Fig. 15)

### FORSIGTIG:

- Hvis savkæden strammes for meget, kan det medføre, at savkæden knækker, slid på sværdet og beskadigelse af drejeknappen.
- Montering og afmontering af savkæden bør foretages på et rent sted, der er frit for savsmuld og lignende.

## BETJENING

### Smøring

#### FORSIGTIG:

- Sørg altid for, at værktøjet er slukket, og at stikket er taget ud af stikkontakten, før De smører savkæden.

Smør savkæden og sværdet med en biologisk nedbrydelig savkædeolie med en klæbetilsætning. Klæbetilsætningen i savkædeolien forhindrer, at olien slynges for hurtigt af saven. Der må ikke benyttes mineralske olier, da de er skadelige for miljøet. (Fig. 16)

#### FORSIGTIG:

- Undgå at få olien på huden eller i øjnene. Kontakt med øjnene medfører irritation. Hvis De får olie i øjnene, skal De med det samme skylle øjet med rindende vand og derefter straks søge læge.
- Anvend aldrig spildolie. Spildolie indeholder kræftfremkaldende stoffer. Forureningen i spildolie

medfører øget slid på oliepumpen, sværdet og kæden. Spildolie er skadeligt for miljøet.

- Når De kommer kædeolie på motorsaven for første gang, eller når De fylder beholderen igen, efter at den har været helt tømt, skal De påfylde olie til den nederste kant af påfyldningshalsen. Ellers kan olieoverføringen blive forhindret.

Rengør området omkring oliedækslet, der vises i figuren, grundigt for at forhindre, at der kommer snavs i oliebeholderen. (Fig. 17)

Rengør oliedækslet af, og påfyld olie til den nederste kant af påfyldningshalsen.

Skru oliedækslet fast på plads.

Tør omhyggeligt spildt kædeolie væk.

Når motorsaven anvendes for første gang, kan det tage op til to minutter, før kædeolien begynder at smøre savmekanismen. Lad saven køre uden belastning så længe (se under "KONTROL").

Beholderens kapacitet (200 ml) er rækker til cirka 30 minutters brug.

## KONTROL

Udfør følgende kontroller, før De påbegynder arbejdet:

### Kontrol af kædens stramning (Fig. 18)

#### ADVARSEL:

- Tag altid stikket ud af stikkontakten, før De kontrollerer kædens stramning, og bær arbejdshandsker.

Savkæden er strammet korrekt, når den har kontakt med undersiden af sværdet og kan løftes cirka 2 – 4 mm fra sværdet ved let tryk med en finger.

Kontroller kædens stramning regelmæssigt, da nye kæder strækker sig. Hvis kæden sidder for løst, kan den hoppe af sværdet og derved udgøre en risiko for uheld.

Hvis kæden sidder for løst: Se i afsnittet "Justering af savkædens stramning", og juster stramningen af savkæden igen.

### Kontrol af kontaktens funktion

#### FORSIGTIG:

Tag altid værktøjet ud af stikkontakten, før De kontrollerer kontaktgrebet. De må ikke låse kontaktgrebet i stillingen ON. Det må ikke være muligt at trykke kontaktgrebet ned, uden at der først trykkes på låseknappen.

Kontaktgrebet må ikke sætte sig fast i den nedtrykte stilling. Når kontaktgrebet slippes, skal det automatisk vende tilbage til stillingen OFF, og låseknappen skal vende tilbage til den oprindelige stilling. (Fig. 19)

### Kontrol af kædelåsen

#### BEMÆRK:

- Hvis motorsaven ikke starter, skal De slippe kædelåsen. Træk håndbeskytteren fast bagud, indtil De føler, at den udløses.

Hold motorsaven med begge hænder, når den tændes. Hold det bageste håndtag med højre hånd og det forreste håndtag med venstre hånd. Sværdet og kæden må ikke berøre nogen genstande.

Tryk først på låseknapen og derefter på kontaktrebet. Savkæden starter med det samme.

Tryk håndbeskytteren fremad med bagsiden af hånden. Savkæden skal stoppe med det samme. (Fig. 20)

#### **FORSIGTIG:**

- Hvis savkæden ikke stopper med det samme, når denne test udføres, må De under ingen omstændigheder anvende saven. Kontakt et autoriseret MAKITA-værksted.

#### **Kontrol af stopbremsen**

Tænd for motorsaven.

Slip kontaktrebet helt. Savkæden skal stoppe inden for ét sekund.

#### **FORSIGTIG:**

- Hvis savkæden ikke stopper inden for ét sekund, når denne test udføres, må saven ikke anvendes. Kontakt et autoriseret MAKITA-værksted.

#### **Kontrol af kædesmøringen (Fig. 21)**

Før De påbegynder arbejdet, skal De kontrollere oliestanden i beholderen samt olieafledningen.

Oliestanden kan kontrolleres i kontrolglas, der vises på figuren.

Sådan kontrolleres olieafledningen:

Start motorsaven.

Hold savkæden cirka 15 cm over en træstub eller over jorden, mens saven kører. Ved tilstrækkelig smøring frembringer olietænk et tyndt oliespor. Vær opmærksom på vindretningen, og udsæt ikke Dem selv for unødige olietænk.

#### **FORSIGTIG:**

- Hvis der ikke dannes et oliespor, må saven ikke anvendes. I modsat fald forkortes kædens levetid. Kontrollér oliestanden. Rengør olieafledningsrillen og olieafledningshullet i sværdet (se under "VEDLIGEHOLDELSE").

## **ARBEJDE MED MOTORSAVEN**

#### **Skæring i træstammer**

Ved skæring i træstammer placeres den takkede kant på det træ, der skal skæres i, som vist på figuren. (Fig. 22)

Lad savkæden køre, og sav ned i træet, idet De benytter det bageste håndtag til at løfte saven og det forreste håndtag til at styre den. Brug den takkede kant som omdrejningspunkt.

Fortsæt skæret ved at trykke let på det forreste håndtag og trække saven let tilbage. Flyt den takkede kant længere ned ad tømmeret, og løft det forreste håndtag igen.

Sluk for saven mellem snittene, når De foretager flere snit.

#### **FORSIGTIG:**

- Hvis den øverste kant af sværdet bruges til at skære, kan saven blive slynget imod Dem, hvis kæden kommer i klemme. Skær derfor med den nederste kant, så saven i givet fald slynges væk fra Dem selv.

(Fig. 23)

Ved savning i træ, der ligger i spænd, skal der først saves på tryksiden (A). Foretag derefter det sidste snit på spændsiden (B). Dette forhindrer, at sværdet kommer i klemme. (Fig. 24)

## **Afgrening**

#### **FORSIGTIG:**

- Afgrening må kun udføres af øvede personer. Risikoen for tilbageslag udgør en fare.

Ved afgrening skal saven så vidt muligt understøttes på stammen. Sav ikke med spidsen af sværdet, da dette medfører risiko for tilbageslag.

Vær især opmærksom på grene, der ligger i spænd. Sav ikke grene, der ikke er understøttet, nedefra.

Stå ikke på det fældede træ, mens De afgrener.

#### **Indsnit og savning på langs af træårene**

#### **FORSIGTIG:**

- Indsnit og savning på langs af årene må kun udføres af personer med specialtræning. Muligheden for tilbageslag medfører risiko for personskade.

Udfør savning på langs af årene i så lille en vinkel som muligt. Foretag snittet så forsigtigt som muligt, da den takkede kant ikke kan benyttes. (Fig. 25)

#### **Fældning**

#### **FORSIGTIG:**

- Fældningsarbejde må kun udføres af øvede personer. Dette arbejde er farligt.

Vær opmærksom på den lokale lovgivning, hvis De vil fælde et træ. (Fig. 26)

- Før De påbegynder fældningsarbejde, skal De sikre Dem, at:
  - (1) Kun personer, der har med fældningsarbejdet at gøre, er i nærheden.
  - (2) Alle involverede personer har en ublokeret flugtvej i et område på cirka 45° til hver side af fældningsaksen. Vær desuden opmærksom på risikoen for at falde over elektriske ledninger.
  - (3) Basis af træstubben er fri for fremmedlegemer, rødder og grene.
  - (4) Der ikke er nogen personer eller genstande i en afstand af 2 1/2 gange træets længde i den retning, træet vil falde i.
- Vær opmærksom på følgende for hvert træ:
  - Den retning, det hælder i.
  - Løse eller tørre grene.
  - Træets højde.
  - Naturlige fremspring.
  - Om træet er råddent.
- Vær opmærksom på vindstyrken og -retningen. Undlad at udføre fældningsarbejde, hvis vinden varierer meget.
- Beskæring af rodremspring: Start med de største fremspring. Udfør det lodrette snit først og derefter det vandrette snit. (Fig. 27)
- Skær et vinkelsnit: Vinkelsnittet bestemmer, hvilken retning træet falder i, og fører det. Snittet foretages på den side, som træet skal falde til. Skær vinkelsnittet så tæt på jorden som muligt. Skær først det vandrette snit

til en dybde af 1/5 – 1/3 af stammens diameter. Gør ikke vinkelsnittet for stort. Skær derefter det skrå snit.

- Skær alle korrektioner til vinkelsnittet i hele dets bredde. (Fig. 28)
- Skær bagsnittet lidt højere end grundsnittet i vinkelsnittet. Bagsnittet skal være helt vandret. Lad cirka 1/10 af stammens diameter mellem bagsnittet og vinkelsnittet være. Træfibrene i den uskarne del af stammen fungerer som et hæmsel. De må under ingen omstændigheder gennemskære fibrene, da træet ellers vil falde ukontrolleret. Indsæt kiler i vinkelsnittet i tide.
- Der må kun anvendes plastik- og aluminiumskiler til at holde vinkelsnittet åbent. Brug af jernkiler er forbudt.
- Stå til siden af det faldende træ. Hold et område bag det faldende træ ryddet i en vinkel på op til 45° til hver side af træets akse (se figuren "fældningsområde"). Vær opmærksom på faldende grene.

## VEDLIGEHOLDELSE

### FORSIGTIG:

- Sørg altid for, at værktøjet er slukket, og at stikket er taget ud, før De forsøger at udføre inspektion eller vedligeholdelse.
- Bær altid handsker, når De udfører inspektion eller vedligeholdelse.

Udfør de ovenfor beskrevne vedligeholdelsesopgaver regelmæssigt. Krav i henhold til garantien accepteres kun, hvis opgaverne er udført regelmæssigt og korrekt.

Brugeren må kun udføre de vedligeholdelsesopgaver, der er beskrevet i denne brugsanvisning. Alt andet arbejde skal udføres hos et autoriseret MAKITA-værksted.

### Rengøring af motorsaven.

Rengør saven regelmæssigt med en ren klud.

Håndtagene skal især holdes fri for olie.

### Rengøring af plastikdækslet

Inspicer regelmæssigt alle dele af dækslet. Hvis nogen dele er beskadiget, skal de repareres med det samme og korrekt på et autoriseret MAKITA-værksted.

### Slibning af savkæden

#### FORSIGTIG:

- Tag altid stikket ud af stikkontakten, og bær handsker, når De udfører arbejde på savkæden. (Fig. 29)

#### Slib savkæden, når:

- Der frembringes meget savsmuld, når der skæres i fugtigt træ.
- Kæden har svært ved at skære i træet, også selvom der trykkes hårdt på saven.
- Skærekanten er tydeligt beskadiget.
- Saven trækker til venstre eller højre i træet. Årsagen til denne virkemåde er, at savkæden er ujævnt sletet, eller at den ene side er beskadiget.

#### Slib jævnlige savkæden, men fjern kun en lille smule materiale ad gangen.

Ved rutineslibning er to eller tre strøg med en fil som regel tilstrækkeligt.

Når savkæden er sletet mange gange, skal den slibes på et autoriseret MAKITA-værksted.

#### Slibningskriterier:

- Alle skær skal have den samme længde (dimension a). Hvis skærene har forskellige længder, kører kæden ikke jævnt, hvilket kan medføre, at kæden knækker.
- Slib ikke kæden, når en mindste skærlængde på 3 mm er nået. Der skal monteres en ny kæde.
- Tykkelsen af spånerne bestemmes af afstanden mellem dybdemåleren (afrundet spids) og den skærende kant. De bedste snitresultater opnås ved en afstand på 0,5 mm mellem skærekanten og dybdemåleren. (Fig. 30)

#### ADVARSEL:

- Risikoen for tilbageslag forøges, hvis afstanden er for stor.
- Slibningsvinklen på 30° og afstanden skal være den samme på alle skær. Forskellige vinkler får kæden til at køre ujævnt og ustabil, forøger sliddet og medfører, at kæden knækker.
- Sidepladevinklen på 80° for skæret bestemmes af gennemtrængningsdybden af den runde fil. Hvis den angivne fil bruges korrekt, fremkommer den korrekte sidepladevinkel automatisk. (Fig. 31)

#### Fil og filstyring (Fig. 32 – 34)

- Brug en særlig rund fil med en diameter på 4,5 mm (fås som tilbehør) til savkæden til at slibe kæden. Normale runde file kan ikke anvendes.
- Filen må kun berøre materialet på det fremadrettede strøg. Løft filen fra materialet på tilbageslaget.
- Slib det korteste skær først. Længden af dette skær bruges derefter som målstørrelse for alle andre skær på savkæden.
- Før filen som vist på figuren. Filen kan føres lettere, hvis der anvendes en filholder (fås som tilbehør).
- Filholderen har mærker for den korrekte slibningsvinkel på 30° (juster mærkerne, så de er parallelle med savkæden) og begrænser gennemtrængningsdybden (til 4/5 af filens diameter).
- Når kæden er sletet, skal De kontrollere dybdemålerens højde ved hjælp af kædemålerværktøjet (fås som tilbehør).
- Fjern alt udstikkende materiale, uanset hvor småt det er, med en særlig flad fil (fås som tilbehør).
- Afrund forsiden af dybdemåleren igen.

### Rengøring af sværdet og smøring af returkædehjulet

#### FORSIGTIG:

- Bær altid arbejdshandsker ved udførelse af denne opgave. Grater udgør en risiko for personskaade. (Fig. 35)

Kontroller jævnligt sværdets køreoverflader for beskadigelse. Rengør det med et passende værktøj, og fjern om nødvendigt grater.

Hvis motorsaven anvendes hyppigt, skal De smøre returkædehjulets leje mindst en gang om ugen. Før der tilføres nyt fedtstof, skal De omhyggeligt rengøre 2 mm-

hullet øverst på sværdet og derefter presse en lille mængde flerfunksionsfedtstof (fås som tilbehør) ned i hullet.

## Rengøring af oliestyret (Fig. 36)

- Rengør oliepåfyldningsrillen og oliepåfyldningshullet i sværdet.

## Rengøring af oliefilteret ved olieudledningshullet

Under brugen kan fint støv eller småpartikler samle sig i oliefilteret ved olieudledningshullet.

Fint støv eller småpartikler, der samler sig i oliefilteret, kan forhindre udledningen af olie og medføre manglende smøring af hele savkæden.

Når olieeffremføringen øverst på sværdet bliver dårlig, skal filteret rengøres på følgende måde.

Tag værktøjet ud af stikkontakten.

Fjern kædehjulsdækslet og savkæden fra værktøjet. (Se i afsnittet "Montering eller afmontering af savkæden".)

Fjern trykmøtrikken ved hjælp af en skruetrækker med kærvspids og tyndt skaft eller et lignende værktøj. (Fig. 37)

Tag filteret ud af motorsaven, og rengør det for støv og småpartikler.

Udskift filteret med et nyt, hvis det er for snavset.

Sæt værktøjet i stikkontakten. (Fig. 38)

Træk i kontaktgrebet for at skylle ophobet støv eller partikler ud af olieudledningshullet ved at frigøre kædeolie.

Tag værktøjet ud af stikkontakten. (Fig. 39)

Sæt det rensede oliefilter i olieudledningshullet. Udskift filteret med et nyt, hvis det er for snavset. (Fig. 40)

Monter trykmøtrikken med den rigtige side opad som vist i figuren i olieudledningshullet for at fastgøre filteret. Hvis filteret ikke kan fastgøres, fordi trykmøtrikken er skæv, skal du udskifte trykmøtrikken med en ny.

Monter kædehjulsdækslet og savkæden på værktøjet igen. (Fig. 41)

## Nye savkæder

Skift mellem brugen af to eller tre savkæder, så savkæden, kædehullet og køreoverfladerne på sværdet slides jævnt.

Vend sværdet, når De skifter kæden, så sværdrillen slides jævnt.

### FORSIGTIG:

• Brug kun kæder og sværd, der er beregnet til denne savmodel (se under "SPECIFIKATIONER"). (Fig. 42)

Før De monterer en ny savkæde, skal De kontrollere kædehullets tilstand.

### FORSIGTIG:

• Et slidt kædehjul vil beskadige en ny savkæde. Udskift i dette tilfælde kædehullet.

Monter altid en ny låsering, når kædehullet udskiftes.

## Vedligeholdelse af kædebremsen og stopbremsen

Bremsesystemerne er yderst vigtige sikkerhedsfunktioner. Som alle motorsavens andre komponenter er de udsat for en vis grad af slid. De skal inspiceres regelmæssigt på et autoriseret MAKITA-værksted. Dette er for Deres sikkerheds skyld.

## Opbevaring af værktøjet

Biologisk nedbrydelig savkædeolie kan kun opbevares i et begrænset tidsrum.

To år efter fremstillingen begynder biologiske olier at blive klæbende, og de beskadiger oliepumpen og komponenterne i smøringssystemet.

- Før motorsaven gemmes i et længere tidsrum, skal De tømme oliebeholderen og fylde den med en lille mængde maskinolie (SAE 30).
- Lad motorsaven køre et kort stykke tid for at rense alle rester af den biologiske olie ud af beholderen, smøringssystemet og savmekanismen.

**Når motorsaven lægges til side, lækker der i et stykke tid små mængder kædeolie fra den. Dette er normalt og er ikke tegn på fejl.**

Opbevar motorsaven på et passende underlag.

Før motorsaven tages i brug igen, skal De fylde den op med frisk BIOTOP-savkædeolie.

For at holde produktet SIKKERT og PÅLIDELIGT skal reparationer samt al anden vedligeholdelse eller justering udføres af autoriserede Makita-servicecentre, og der skal altid benyttes Makita-reservedele.

## TILBEHØR

### FORSIGTIG:

- Dette tilbehør eller ekstraudstyr anbefales til brug med det Makita-værktøj, som er beskrevet i denne brugsanvisning. Brug af andet tilbehør eller ekstraudstyr kan forårsage personskade. Brug kun tilbehør eller ekstraudstyr til det formål, det er beregnet til.

Henvend Dem til Deres lokale Makita-servicecenter, hvis De har brug for hjælp eller yderligere oplysninger vedrørende tilbehøret.

- Savkæde
- Hylster
- Komplet sværd
- Kædemåler
- Rund fil 4,5 mm
- Flad fil
- Filholder med 4,5 mm-fil
- Filhåndtag
- 1 l BIOTOP-olie til motorsav
- 5 l BIOTOP-olie til motorsav
- Flerfunksionsfedtstof
- Fedtsmører

# SVENSKA

## Ingående delar

- |                           |                                |                             |
|---------------------------|--------------------------------|-----------------------------|
| 1. Bakre handtag          | 6. Svärd                       | 11. Bakre skydd             |
| 2. Avtryckare             | 7. Sägkedja                    | 12. Tandad skena (gripklor) |
| 3. Lock för oljebehållare | 8. Skruvhandtag                | 13. Upplåsningsknapp        |
| 4. Främre handtag         | 9. Kedjeshjulskåpa             | 14. Kedjefångare            |
| 5. Främre skydd           | 10. Siktglas för oljebehållare | 15. Kedjeskydd              |

## Förklaring till översiktsbilder

- |                   |                      |                       |
|-------------------|----------------------|-----------------------|
| 1. Startspärr     | 11. Dra fast         | 21. Siktfönster       |
| 2. Avtryckare     | 12. Skruvhandtag     | 22. Tandad skena      |
| 3. Tryck in       | 13. Minska           | 23. Fällområdet       |
| 4. Lossa          | 14. Öka              | 24. Oljekanal         |
| 5. Kopplingskåpa  | 15. Svärd            | 25. Oljematningshål   |
| 6. Kedjesträckare | 16. Sägkedja         | 26. Mutter            |
| 7. Sträckkartapp  | 17. Oljetankens lock | 27. Liten skruvmejsel |
| 8. Hake           | 18. Handskydd        | 28. Filter            |
| 9. Hål            | 19. Lås              | 29. Kedjehjul         |
| 10. Litet hål     | 20. Lås upp          |                       |

## SPECIFIKATIONER

Modell		UC3020A	UC3520A	UC4020A
Max. kedjehastighet (m/s)		13,3		
Såglängd		300 mm	350 mm	400 mm
Sågkedja	Typ	90SG		
	Delning	3/8"		
Ljudeffektnivå L WA dB (A) enligt EN 50144 -1 <sup>1)</sup>		105,3		
Ljudeffektnivå L pA dB (A) vid arbetsplatsen enligt EN 50144 -1 <sup>1)</sup>		92,3		
Vibrationsacceleration a h,w enligt ISO 50144-2-13 <sup>1)</sup> - Främre handtag m/s <sup>2</sup>		3,4		3,9
- Bakre handtag m/s <sup>2</sup>		4,0		4,5
Oljepump		Automatisk		
Oljetanksvolym (l)		0,20		
Kraftöverföring		Direkt		
Kedjebroms		Manuell		
Avstängningsbroms		Mekaniskt		
Total längd (utan svärd)		436 mm		
Vikt		3,8 kg		
Förlängningssladd (tillbehör)		DIN 57282/HO 7RN -F L=30 m max., 3 x 1,5 mm <sup>2</sup>		



1) Data som anges gäller för förhållanden med full belastning och maximal hastighet.

- På grund av vårt pågående program för forskning och utveckling kan dessa specifikationer ändras utan föregående meddelande.
- Obs! Specifikationerna kan variera mellan olika länder.


### Symboler

END218-1

Följande visar symbolerna som används för verktyget. Se till att du förstår innebörden innan användning.

-  ..... Läs igenom användarhandboken och iaktta varningar och säkerhetsanvisningar.
- 

 ..... DUBBEL ISOLERING

 ..... Försiktigt! särskilt försiktighet och uppmärksamhet krävs!

-  ..... Försiktigt! dra ur sladden omedelbart om kabeln skadas!
-  ..... Försiktigt! bakåtkast!
-  ..... Skydda mot regn och funkt!
-  ..... Använd hjälm, skyddsglasögon och hörselskydd!
-  ..... Använd skyddshandskar.
-  ..... Dra ut nätsladden!
-  ..... Akuthjälp
-   ..... Återanvändning
-  ..... CE-märkning
-  ..... Tillåten maximal såglängd
-  ..... Kedjans rörelseriktning
-  ..... Kedjeolja
-  ..... Kedjebroms friståppt/bromsad
-  ..... Förbjudet!

### Användningsområde

Verktyget är avsett för att såga i trä och stockar.

### Strömförsörjning

Maskinen får endast anslutas till nät med samma spänning som den som anges på typplåten och kan endast köras i enfas växelström. Den är dubbelisolerad i enlighet med europeisk standard och kan därför också anslutas till ojordade vägguttag.

### För allmänna elnät avsedda för 220 – 250 V

Att starta och stänga av elektriska apparater medför spänningsfluktuationer. Om denna maskin används under ogynnsamma förhållanden kan det ha en negativ inverkan på funktionen i annan utrustning. Om motståndet i nätet är lika med 0,35 Ohm eller mindre är det rimligt att anta att det inte kommer att bli några negativa effekter. Nätuttagen för den här enheten måste vara försedda med långsamma säkringar eller skyddsbytare.

## YTTERLIGARE SÄKERHETSANVISNINGAR

ENB098-1

1. Läs anvisningarna i bruksanvisningen för att lära dig hur kedjesågen fungerar.
2. Låt någon demonstrera för dig hur den används innan du använder den själv första gången. Öva åtminstone att såga i en bit runt virke på en

sågbock om det inte är möjligt att ordna med en demonstration.

3. Kedjesågen får inte användas av barn eller ungdomar under 18 år. Unga personer över 16 år kan undantas från denna begränsning om de utbildas under ledning av en expert.
4. Arbete med en kedjesåg kräver full koncentration. Arbeta inte med sågen om du inte känner dig kry och pigg. Utför allt arbete noggrant i lugn takt.
5. Arbeta aldrig under påverkan av alkohol, droger eller mediciner.


### Användningsområde


1. Verktyget är endast avsett för sågning i trä. Använd den inte till att t ex såga i plast eller lättbetong.
2. Använd sågen endast till de funktioner som beskrivs i bruksanvisningen. Använd den inte till att t ex beskära häckar eller liknande.
3. Kedjesågen får inte användas i skogsarbete, t ex för fällning och kvistning av stående träd. Kedjesågens sladd begränsar användarens rörlighet på sådant sätt att den typen av arbete är olämpligt.
4. Kedjesågen är inte avsedd för kommersiell användning.
5. Överbelasta inte kedjesågen.

### Personlig skyddsutrustning

1. Kläder ska sitta väl utan att hindra rörligheten.
2. Använd följande skyddskläder under arbetet:
  - En godkänd skyddshjälm som skydd mot nedfallande grenar eller liknande,
  - Skyddsmask eller glasögon,
  - Lämpliga hörselskydd (öronkåpor eller öronproppar), Frekvensanalys kan erhållas på begäran,
  - Använd kraftiga skyddshandskar,
  - Byxor med långa ben tillverkade i kraftigt tyg,
  - Skyddkläder sågtåligt tyg,
  - Säkerhetsskor eller stövlar med halkfria sulor, stålhätta och sågskydd,
  - Ansiktsmask när arbetet genererar damm (t ex sågning i torrt trä).

### Skydd mot elektriska stötar

-  ..... Kedjesågen får inte användas i regn eller i fuktig miljö eftersom den elektriska motorn inte är vattenskyddad.
1. Endast jordade uttag ska användas i kontrollerade elektriskt kretsar. Kontrollera att systemspänningen motsvara den på märkplåten. Kontrollera att nätet skyddas med en säkring på 16 A. Sågar som används i det fria måste anslutas till en extra jordfelsbrytare med en märkström på högst 30 mA.

-  ..... Om anslutningskabeln skulle bli skadad ska sladden omedelbart kopplas från.

## Säkerhetsrutiner

- Kontrollera att kedjan är i gott skick innan arbetet påbörjas och att förhållandena uppfyller säkerhetsföreskrifter. Kontrollera i synnerhet att:**
    - Kedjebromsen fungerar på avsett sätt,
    - Avstängningsbromsen fungerar på avsett sätt,
    - Att svärd- och kedjehjulsskyddena är monterade på rätt sätt,
    - Kedjan har slipats och spänts i enlighet med anvisningarna,
    - Nätkabeln inklusive kontakt är oskadda,
- Se vidare i avsnittet "KONTROLLER".
- Kontrollera alltid i synnerhet att förlängningskabeln som används har tillräckligt tvärsnitt (se "SPECIFIKATIONER"). Dra ut hela kabel om en kabelnåla används. Kontrollera att kabeln som används är avsedd för användning utomhus och har rätt märkeffekt vid utomhusarbete.
  - Använd inte kedjesågen i närheten av brännbart damm eller gaser eftersom motorn genererar gnistor som kan orsaka en explosion.
  - Arbeta endast på ett stadigt underlag med gott grepp för fötterna. Var särskilt uppmärksam på hinder inom arbetsområdet, t ex kabeln. Var särskilt uppmärks på omständigheter som kan medföra att underlaget är halt, t ex kondens, is, snö, nysågat trä eller bark. Använd inte kedjesågen när du står på en stege eller i ett träd.
  - lakttag särskild uppmärksamhet när du arbetar på sluttingar, stockar och grenar som kan komma i rullning utgör en potentiell risk.
  - Såga aldrig över axelhöjd. (Fig. 1)
  - Håll sågen med båda händerna när den startas och används. Håll bakre handtaget med högra handen och främre handtaget med vänster hand. Håll maskinen stadigt med tummarna. Svärdet och kedjan ska inte vara i kontakt med någonting när sågen startas.
  - Ta bort främmande föremål, t ex sand, stenar, spikar, ståltråd osv, från arbetsområdet innan arbetet påbörjas. Främmande föremål kan skada svärdet och kedjan och orsaka bakåtkast.
  - Var extra uppmärksam vid arbete när trädstängsel. Såga inte i nätet eftersom sågen riskerar att kastas bakåt
  - Såga inte i marken.
  - Såga i enstaka trästycken, inte i buntar eller högar.
  - Undvik att såga tunna grenar och rötter eftersom dessa kan komma att trasas in i kedjesågen. Att förlora balansen utgör en risk.
  - Använd ett lämpligt stöd (sågbock) vid sågning.
  - Använd inte sågen till att lirka loss eller borta bort **träflisor eller andra föremål**.
  - För kedjesågen så att ingen del av kroppen är i vägen för **kedjan**. (Fig. 2)
  - Använd kedjebromsen vid förflyttningar mellan arbetsuppgifterna för att undvika att kedjan rör sig oavsiktligt. Håll kedjesågen i främre handtaget när den bärs och håll inte på strömbrytaren. Dra ur kontakten vid pauser eller när kedjesågen lämnas oövervakad. Lämna sågen så att den inte kan utgöra någon risk.

17. Dra ur kontakten vid pauser eller när kedjesågen lämnas oövervakad. Lämna sågen så att den inte kan utgöra någon risk.

## Bakåtkast

1. Farliga bakåtkast kan inträffa vid arbete med en kedjesåg. Bakåtkast inträffar när svärdet (i synnerhet den övre fjärdedelen) kommer i kontakt med virket eller andra fasta föremål. Det medför att kedjesågen kastas i riktning mot användare. (Fig. 3)
2. Tänk på följande för att undvika bakåtkast:
  - Starta aldrig sågningen med spetsen på svärdet.
  - Använd aldrig spetsen på svärdet till sågning. Var synnerligen uppmärksam när sågning återupptas i ett snitt som redan påbörjats.
  - Starta sågningen medan kedjan löper.
  - Slipa alltid kedjan på rätt sätt. Kontrollera i synnerhet att djupmättet är riktigt (se "Slipa kedjan" för mer information).
  - Såga aldrig i flera grenar samtidigt.
  - Vid kvistning är det viktigt att svärdet inte kommer i kontakt med andra grenar.
  - Se till att närliggande stammar inte stör vid kapning. Var alltid uppmärksam på svärdsspetsen.
  - Använd en sågbock.

## Säkerhetsfunktioner

1. Kontrollera alltid att säkerhetsfunktionerna fungerar innan arbetet påbörjas. Använd inte kedjesågen om inte säkerhetsfunktionerna fungerar på rätt sätt.
- **Kedjebroms:**

Kedjesågen är utrustad med en kedjebroms som stoppar kedjan på en bråkdel av en sekund. Den aktiveras när handskyddet skjuts framåt. Kedjas stoppas sedan inom 0,15 s och strömmen till motorn bryts.
  - **Avstängningsbroms: (Fig. 4)**

Kedjesågen är utrustad med avstängningsbroms som stoppar kedjan omedelbart när strömbrytaren släpps. På så vis förhindras att kedjan löper och utgör en risk när motorn är avstängd.

    - **Främre och bakre handskyddet** skyddar användaren från skador som orsakas av att spån och splitter kastas bakåt eller om kedjan går sönder.
    - Säkerhetsspärren förhindrar att kedjesågen startas oavsiktligt.
    - **Kedjefångaren** skyddar användaren mot skador om kedjan hoppar av eller går av.

## Transport och förvaring



..... När kedjesågen inte används eller transporteras ska nåtssladden dras ur och sågens svärdsskydd sättas på. Bär eller transporter aldrig sågen när kedjan går.

1. Bär kedjesågen endast i det främre handtaget med svärdet riktat bakåt.



2. Se till att kedjesågen förvaras i ett säkert, tort och låst utrymme utom räckhåll för barn. Förvara inte kedjesågen utomhus.

## Underhåll

1. Dra ut sladden ur kontakten innan några justeringar eller något underhåll utförs.
2. Kontrollera nätsladden regelbundet efter skador på isoleringen.
3. Rengör kedjesågen regelbundet.
4. Eventuella skador på plastkåporna måste repareras omedelbart med vederbörlig omsorg.
5. Använd inte kedjesågen om inte strömbrytaren inte fungerar på rätt sätt. Reparera den med vederbörlig omsorg.
6. Gör under inga omständigheter några ändringar på kedjesågen. Det riskerar din säkerhet.
7. Utför inga andra underhålls- och reparationsarbeten är den som beskrivs i bruksanvisningen. Allt annat arbete måste utföras av MAKITA Service.
8. Använd endast reservdelar från MAKITA i original samt tillbehör som är avsedda för aktuell modell. Användning av andra typer av delar medför ökad olycksrisk.
9. MAKITA ansvarar inte för olyckor eller skador om icke godkända svärd, sågkedjor eller andra utbytesdetaljer eller tillbehör har använts. Se vidare i utdraget från reservdelslistan vad gäller godkända svärd och kedjor.

## Akuthjälp



..... Arbeta aldrig ensam. Arbeta alltid inom hörhåll för en annan person.

1. Se till att det alltid finns ett första förband tillgängligt. Ersätt allting som tas från den utan fördröjning.
2. Om hjälp behöver tillkallas i händelse av olycka ska följande information uppges:
  - Var inträffade olyckan?
  - Vad inträffade?
  - Hur många personer är skadade?
  - Vilka skador har de skadade?
  - Vem rapporterar olyckan?

### OBS!

Personer cirkulationsbesvär som utsätts för kraftiga vibrationer kan få skador i blodlådor och nervsystemet.

Vibrationer kan orsaka följande symptom i fingrar, händer och handleder: "Domningar" (stumhet), kittlingar, smärtor, stickningar, färgförändringar i huden.

**Uppsök läkare om något av dessa symptom kan iakttagas!**

## SPARA BRUKSANVISNINGEN

## FUNKTIONS BESKRIVNING

### FÖRSIKTIGT!

- Se alltid till att verktyget stängts av och att nätkabeln är utdragen innan justering eller kontroll av verktygets funktioner.

## Inställning av strömbrytare (Fig. 5)

### FÖRSIKTIGT!

- Kontrollera alltid att utlösaren för strömbrytaren aktiveras och återgår till läget "OFF" när den släpps, innan du ansluter verktyget till elnätet.

En upplåsningsknapp finns för att förhindra oavsiktlig aktivering av strömbrytarens utlösare.

Tryck in säkerhetsspärren och tryck sedan på strömbrytaren för att starta sågen.

Släpp strömbrytaren för att stoppa maskinen.

## MONTERING

### FÖRSIKTIGT!

- Se alltid till att verktyget stängts av och att nätkabeln är utdragen innan verktyget repareras.

### Installera eller ta bort svärdet.

### FÖRSIKTIGT!

- Kontrollera alltid att verktyget är avstängt och att nätsladden är utdragen innan sågkedjan monteras eller demonteras.
- Använd alltid handskar när sågkedjan monteras eller demonteras.

1. Ställ skruvhandtaget i upprätt läge när sågkedjan ska tas bort. (Fig. 6)
2. Tryck på skruvhandtaget och vrid det sedan moturs för att lossa muttern så att kedjehjulskyddet lossnar. (När skruvhandtaget trycks in ska det passa in på muttern.)
3. Vrid kedjesträckaren moturs för att släppa kedjesträckningen.
4. Ta bort kedjehjulskyddet.
5. Ta bort sågkedjan och svärdet från kedjesågen.
6. Passa in en ny kedja först på svärdet och sedan på kedjehjulet när en ny kedja ska monteras. (Fig. 7)

Montera sågkedjan på det sätt som visas i figuren eftersom den roterar i pilens riktning.

7. Skjut in svärdet på plats i kedjesågen.
8. Vrid kedjesträckaren medurs för att skjuta sträckartappen i pilens riktning. (Fig. 8)
9. Placera kedjehjulskyddet på kedjesågen så att dess baksida hakar i hålet i kedjesågen och sträckartappen passar in i det lilla hålet i svärdet. (Fig. 9)
10. Tryck in skruvhandtaget och vrid verktyget helt medurs för att dra fast muttern. Släpp sedan ungefär ett kvarts varv moturs. (Fig. 10)

### Justera kedjesträckningen

Kedjan kan bli lös efter ett antal timmars användning. Kontrollera då och då kedjesträckningen innan kedjesågen används.

Fäll upp skruvhandtaget. (Fig. 11)

Tryck in skrivhandtaget. Vrid ungefär ett kvarts varv moturs med handtaget intryckt för att lossa muttern något. (När skruvhandtaget trycks in ska det passa in på muttern.) (Fig. 12)

Sträck kedjan lagom mycket med kedjesträckaren. Ta tag i kedjan på mitten av svärdet och lyft upp. Spelet mellan svärdet och länkförbindningarna ska vara ca 2 - 4 mm. Om spelet inte är ca 2 - 4 mm vrider du inställningsskruven till svärdet. Rikta spetsen på svärdet något uppåt när du ställer in sträckningen denna gång. (Fig. 13)

Tryck ned skruvhandtaget ordentligt och vrid muttern medurs för att dra åt den. (Fig. 14)

Sätt tillbaks skruvhandtaget i sitt ursprungliga läge. (Fig. 15)

#### FÖRSIKTIGT!

- Alltför hög sträckning i kedjan kan leda till att den går av, att svärdet slits eller att sträckningsmekanismen går sönder.
- Montering och demontering av kedjan ska utföras i en ren miljö utan sågspån eller liknande.

## ANVÄNDNING

### Smörjning

#### FÖRSIKTIGT!

- Kontrollera alltid att kedjesågen är avstängt och att nätsladden är utdragen innan sågkedjan smörjs.

Smörj sågkedjan och svärdet med biologisk sågkedjeolja. Klisterkomponenten i sågkedjeoljan förhindrar att oljan slungar bort från sågkedjan onödigt snabbt. Mineraloljor ska inte användas eftersom de är skadliga för miljön. (Fig. 16)

#### FÖRSIKTIGT!

- Undvik att låta oljan komma i kontakt med huden och ögonen. Kontakt med ögonen orsakar irritation. Skölj omedelbart med rikligt rent vatten vid kontakt med ögonen och kontakta genast en läkare.
- Använd aldrig restoljor. Restoljor innehåller cancerframkallande ämnen. Föreningarna i restoljor medför ökad förslitning i oljepumpen, svärdet och kedjan. Restoljor är skadliga för miljön.
- När kedjesågen fylls på med sågkedjeolja för första gången, eller om olja fylls på efter att tanken blivit helt tom, ska olja fyllas på till kanten på halsen på påfyllningsöppningen. Oljefördelningen kan annars förhindras.

Rengör området runt oljetankslocket enligt figuren noggrant för att förhindra att smuts kommer in i oljetanken. (Fig. 17)

Skruva loss locket och fyll på olja till nederkanten av tankhålets Hals.

Skruva på oljetankslocket ordentligt.

Torka omsorgsfullt bort eventuellt utspillt olja.

När kedjesågen används för första gången kan det ta upp till två minuter innan oljan börjas smörja sågmekanismen. Kör sågen utan last till så sker (se "KONTROLLER").

Tankvolymen (200 ml) räcker till ungefär 30 minuters användning.

## KONTROLLER

Kontrollera följande innan arbetet påbörjas:

### Kontrollera kedjesträckningen (Fig. 18)

#### VARNING!

- Dra alltid ur kontakten innan kedjesträckningen kontrolleras och använd skyddshandskar.

Sågkedjans sträckning är rätt när kedjan är i kontakt med undersidan av svärdet samtidigt som kedjan lyfts lätt med fingrarna ca 2 - 4 mm från svärdet ovasida.

Kontrollera kedjesträckningen ofta. Nya kedjor förlängs. En kedja som inte är tillräckligt spänd kan hoppa av från svärdet och utgöra en olycksrisk.

Om kedjan är för lös: Se i avsnittet "Justera kedjesträckningen" och ställ in kedjesträckningen på nytt.

### Kontrollera strömbrytarens funktion

#### FÖRSIKTIGT!

Dra alltid ur närsadden innan strömbrytarens funktion kontrolleras. Låsning av strömbrytarens i läget ON är förhindrat. Det ska inte gå att trycka in strömbrytaren med mindre än att säkerhetsspärren först trycks in.

Strömbrytaren får inte kärva in intryckt läge. När den släpps måste strömbrytaren återgå till avstängs läge och säkerhetsspärren återgå till ursprungliga läget. (Fig. 19)

### Kontrollera kedjebromsen

#### OBS!

- Släpp kedjebromsen om kedjesågen inte startar. Dra handskyddet bakåt tills du känner att det kommer i läge.

Håll sågen med båda händerna när den startas. Håll bakre handtaget med högra handen och främre handtaget med vänster hand. Svärdet och kedjan ska inte vara i kontakt med något objekt.

Tryck först in säkerhetsspärren och sedan strömbrytaren. Sågen startar omedelbart.

Tryck handskyddet framåt med baksidan av handen. Kedjesågen måste stanna omedelbart. (Fig. 20)

#### FÖRSIKTIGT!

- Om sågkedjan inte stannar omedelbart när den här testen utförs får sågen inte användas under några omständigheter. Kontakten en MAKITA-verkstad för reparation.

### Kontrollera avstängningsbromsen

Sätt på kedjesågen.

Släpp strömbrytaren helt. Kedjesågen måste stanna helt inom en sekund.

#### FÖRSIKTIGT!

- Om sågkedjan inte stannar inom en sekund när den här testen utförs ska sågen inte användas. Kontakten en MAKITA-verkstad för reparation.

### Kontrollera kedjeoljan (Fig. 21)

Kontrollera oljenivån i tanken och fördelningen av olja innan arbetet påbörjas.

Oljenivån kan kontrolleras genom siktglasets enligt figuren. Kontrollera oljefördelningen på följande sätt:

Starta kedjesågen.

Håll sågen c:a 15 cm ovanför en trädstam eller marken medan den går. Om smörjningen är tillräcklig kommer oljan att skapa ett oljespår. Kontrollera vindriktningen och utsätt inte dig själv för oljestänk i onödan.

### FÖRSIKTIGT!

- Använd inte sågen om inte oljespår bildas. Kedjans livslängd förkortas i annat fall. Kontrollera oljenivån. Rengör oljemattningsspåret och hålet i svärdet (se "UNDERHÅLL").

## SÄTT PÅ KEDJESÅGEN

### Kapning

Stöd den tandade skena som visas i figuren mot stammen vid kapning. (Fig. 22)

Såga in i träet genom att använda bakre handtaget till att lyfta sågen och främre till att styra svärdet samtidigt som sågkedjan går. Använd den tandade skena som en hävarm.

Fortsätt att såga genom att lyfta lätt i främre handtaget och släpp bak sågen någon. Flytta den tandade skenan längre ned på stammen och lyft bakre handtaget igen.

Stäng av kedjesågen mellan snitten om flera kapningar ska göras.

### FÖRSIKTIGT!

- Kedjesågen kan kastas mot dig om du använder ovansidan av svärdet till att såga och kedjan fastnar. Såga därför med underkanten så att sågen strävar bort från din kropp. (Fig. 23)

Vid sågning av trä som är under spänning ska alltid den tryckutsatta sidan (A) sågas först. Såga seda igenom helt från den andra sidan (B). På så vid undviker du att svärdet fastnar. (Fig. 24)

## Kvistning

### FÖRSIKTIGT!

- Kvistning ska endast utföras av utbildade personer. Det finns risk för bakåtkast.

Stöd kedjesågen mot stammen så mycket som möjligt vid kvistning. Använd inte spetsen på svärdet eftersom det finns risk för bakåtkast.

Var särskilt uppmärksam på grenar som är spända. Såga inte i fritt hängande grenar från undersidan.

Stå inte på den liggande stammen vid kvistning.

### Instick och sågning längs träfibrererna

### FÖRSIKTIGT!

- Instick och sågning parallellt med träfibrererna ska endast utföras av personer med särskild utbildning. Risken för bakåtkast utgör en olycksfara.

Sågning parallellt med träfibrererna ska göras i så liten vinkel som möjligt. Gör dessa snitt så omsorgsfullt som möjligt eftersom den tandade skenan inte kan användas. (Fig. 25)

## Fällning

### FÖRSIKTIGT!

- Fällning ska endast utföras av utbildade personer. Detta arbete är riskfyllt.

lakta gällande föreskrifter vid fällning av träd. (Fig. 26)

- Kontrollera innan fällningsarbetet att:
  - (1) Endast personer som är direkt involverade i fällningen är i närheten,
  - (2) Alla inblandade personer har en säker utrymningsväg i ett intervall ungefär 45 ° på vardera sidan av fallriktningen. Lakta risken att falla över elektriska kablar,
  - (3) Rotdelen av stammen ska vara utan främmande föremål, rötter och grenar,
  - (4) Inga personer eller föremål ska finnas inom ett avstånd på 2 1/2 trälängder i trädets fallriktning.
- Beakta följande för respektive träd:
  - Lutningsriktning,
  - Lösa eller torra grenar,
  - Trädets höjd,
  - Naturliga överhäng,
  - Om trädet är ruttet eller inte.
- Beakta vindhastighet och riktning. Utför inte trädffällningar om starka vindbyar förekommer.
- Trimming av rötter: Börja med det största rotutskottet. Gör först det vertikala snittet och sedan det horisontella. (Fig. 27)
- Såga ett fällsnitt: Fällsnittet är avgörande för vilken riktning trädet kommer att falla och styr det. Fällsnittet gör på den sida som trädet ska falla åt. Anlägg fällsnittet så nära marken som möjligt. Gör först det horisontella snittet till ett djup på 1/5 - 1/3 är stamdiametern. Gör inte kilen för stor. Gör sedan det diagonala snittet.
- Eventuella korrigeringar av fällsnittet ska göras över hela dess bredd. (Fig. 28)
- Kontrollera att baksnittet är lite högre än fällsnittet. Baksnittet måste vara helt horisontellt. Lämna ungefär 1/10 av stamdiametern mellan baksnittet och fällsnittet. Träfibrererna i den osågade delen fungerar som ett gångjärn. Såga inte helt igenom fibrererna under några omständigheter eftersom trädet då faller okontrollerat. Sätt i kilar i snittet i tid.
- Endast kilar av plast eller aluminium får användas till att hålla snittet öppet. Järnkilar får inte användas.
- Stå vid sidan av det fallande trädet. Se till att området bakom trädet i en vinkel på 45 ° sett från fallriktningen (se figuren med "fällområde"). Var uppmärksam på fallande grenar.

## UNDERHÅLL

### FÖRSIKTIGT!

- Se alltid till att verktyget är avstängt och att nätkabeln är utdragen innan inspektion eller underhåll utförs.
- Använd alltid handskar vid all kontroll och underhåll. Utförs nedanstående underhållsarbeten med regelbundna intervall. Garantianspråk beaktas endast om dessa åtgärder har utförts regelbundet och på rätt sätt.

Endast underhållsarbeten som beskrivs i denna bruksanvisning får utföras av användaren. Allt annat arbete måste utföras av en MAKITA-verkstad.

## Rengöra kedjesågen.

Rengör kedjesågen regelbundet med en ren trasa. I synnerhet handtagen måste vara fria från olja.

## Kontrollera plastkåpor

Kontrollera regelbundet okulärt alla delar av kåpor. Reparera skadade delar omedelbart och på rätt sätt i en MAKITA-verkstad.

## Slipa sågkedjan

### FÖRSIKTIGT!

- Dra alltid ut nåtssladden och används skyddshandskar när arbeten med kedjesågen utförs. (Fig. 29)

### Slipa kedjan när.

- Mjöligen spån produceras när fuktigt trä sågas,
- Kedjan tränger med svårigheter in i träet även om stort tryck används,
- Skärtänderna är uppenbart skadade,
- Sågen drar till vänster eller höger i träet. Orsaken till detta är att slipningen av sågkedjan har blivit ojämn eller skadad på endast en sida.

### Slipa sågkedjan lite men ofta.

Två eller tre drag med filen är oftast tillräckligt för att slipa om rutinmässigt.

När sågkedjan har slipats om flera gånger är det dags att låta en MAKITA-verkstad slipa om den.

### Slipkriterier:

- Alla skärtänderna måste ha samma längd (mått a). Skärtänder med olika längd förhindrar kedjan från att löpa jämnt och kan medföra att kedjan går av.
- Slipa inte kedjan efter att en minimilängd på 3 mm uppnåtts. Kedjan måste då bytas ut.
- Spåntjockleken bestäms av avståndet mellan underställningsklacken (rund nos) och skärtanden. Det bästa sågresultatet uppnås med en höjdskillnad på 0,5 mm mellan skärtanden och underställningsklacken. (Fig. 30)

### WARNING!

- Alltför stort mått ökar risken för bakåtkast.
- Skärvinkeln ska vara 30 ° och måste vara densamma för att alla skärtänderna. Skillnader i vinkel får kedjan att löpa ryckigt och ojämnt, slitaget ökar och det leder till brott på kedjan.
- Stötvinkeln ska vara 80 ° och bestäms genom rundfilens penetrationsdjup. Om angiven filstorlek används på rätt sätt erhålls rätt stötvinkel automatiskt. (Fig. 31)

### Fil och filningsanvisningar (Fig. 32 - 34)

- Använd en särskild rundfil (tillval) för kedjesågar med en diameter på 4,5 mm när kedjan slipas. Normala rundfiler är inte lämpliga.
- Filen ska endast användas med en framåtrörelse. Lyft filen från materialet i tillbakarörelsen.

- Slipa den kortaste skärtanden först. Längden på denna skärtand utgör sedan riktmåttet för alla skärtänder på kedjan.
- För filen på det sätt som framgår av figuren. Filen kan vara lättare att använda om en särskild filmall (tillval) används.
- Filmallen har markeringar för den rätta skärtandsvikeln 30 ° (rikta in markeringarna parallellt med sågkedjan) och begränsar penetrationsdjupet (till 4/5 av fildiametern).
- Kontrollera höjden på underställningsklacken med hjälp av ett särskilt verktyg (tillval) efter att kedjan har slipats.
- Ta bort eventuellt utskjutande material, avsett hur litet, med en särskild plattfil (tillval).
- Runda av främre delen av underställningsklacken igen.

## Rengör svärdet och smörj noshjulet

### FÖRSIKTIGT!

- Använd alltid skyddshandskar under detta arbete. Slipgrader utgör alltid en olycksrisk. (Fig. 35)

Kontrollera regelbundet svärdets sidor efter eventuella skador. Rengör med ett lämpligt verktyg och ta bort grader vid behov.

Smörj noshjulet minst en gång i veckan om sågen används ofta. Rengör noggrant 2 mm hålet i nosen av svärdet innan nytt smörjmedel appliceras. Pressa sedan in en liten mängd normalt smörjfett (tillval) i hålet.

## Rengör oljekanal (Fig. 36)

- Rengör regelbundet oljekanal och hålet i svärdet.

## Rengöra oljefiltret i oljematningshålet

Damm och småpartiklar kan ansamlas i oljefiltret vid oljematningshålet under användning.

Damm och småpartiklar i oljefiltret försämrar oljeflödet och ger en otillräcklig kedjesmörjning.

När otillräcklig smörjning noteras fram till på svärdet ska filtret rengöras på följande sätt.

Dra ur maskinens nåtssladd från vägguttaget.

Ta bort kopplingskåpan och sågkedjan från sågen. (Se avsnittet "Montera eller demontera kedjan".)

Ta bort muttern med liten skruvmejsel eller liknande. (Fig. 37)

Ta ur filtret ur kedjesågen och rensa bort damm och andra partiklar.

Byt ut filtret om det är alltför smutsigt.

Anslut sågens nåtssladd. (Fig. 38)

Tryck på avtryckaren så att kedjeolja pumpas ut och sköljer bort ansamlingar med damm och småpartiklar i oljematningshålet.

Dra ur maskinens nåtssladd från vägguttaget. (Fig. 39)

Sätt in det rengjorda oljefiltret i oljematningshålet. Byt ut det om det är alltför smutsigt. (Fig. 40)

Fäst filtret genom att sätta in muttern i oljematningshålet. Placera rätt sida utåt enligt bilden. Byt ut muttern om den är så deformerad att filtret inte sitter fast.

- Montera tillbaka kopplingskåpan och sågkedjan på sågen. (Fig. 41)

## Ny sågkedja

Använd två eller tre sågkedjor alternerande för att sågkedja, kedjehjul och svärdets ytor ska slitas jämt.

Vänd på svärdet när kedjan byts så att spåren i svärdet slits jämt.

### FÖRSIKTIGT!

- Använd endast kedor och svärd som är godkända för den här sågmodellen (se "SPECIFIKATIONER"). (Fig. 42)

Kontrollera tillståndet för kedjehjulet innan en ny kedja monteras.

### FÖRSIKTIGT!

- Ett slitet kedjehjul skadar en ny sågkedja. Byt i så fall ut kedjehjulet.

Montera alltid en ny låsring när kedjehjulet byts.

## Underhåll kedjan och kedjebromsar

Bromssystemen är mycket viktiga säkerhetsfunktioner.

Liksom övriga delar i sågen utsätts den för ett visst slitage. De måste kontrolleras regelbundet av en MAKITA-verkstad. Denna åtgärd är för att trygga din egen säkerhet.

## Förvara sågen

Biologiskt nedbrytbar sågolja kan endast förvaras under en viss tid.

Två år efter tillverkningen börjar oljan bli vidhäftande och orsakar då skador på oljepumpen och komponenter i smörjsystemet.

- Innan kedjesågen ställs undan för en längre period ska oljetanken tömmas och fyllas med en liten mängd motorolja (SAE 30).
- Kör kedjesågen en kort stund för att skölja ur rester av den biologiska olja ur tanken, smörjsystemet och sågmekanismen.

**När kedjesågen inte används kommer små mängder olja att läcka ur den efter en viss tid. Det är normalt och inget tecken på något fel.**

Förvara kedjesågen på ett lämpligt underlag.

Innan sågen på nytt tas i bruk ska den fyllas med ny BIOTOP-sågkedjeolja.

För att upprätthålla produktens SÄKERHET och TILLFÖRLITLIGHET, bör allt underhålls- och justeringsarbete utföras av ett auktoriserat Makita servicecenter och med reservdelar från Makita.

## TILLBEHÖR

### FÖRSIKTIGT!

- Dessa tillbehör och tillsatser rekommenderas för användning tillsammans med den Makita-maskin som denna bruksanvisning avser. Om andra tillbehör eller tillsatser används kan det uppstå risk för personskador. Använd endast tillbehören eller tillsatserna för de syften de är avsedda för.

Kontakta ditt lokala Makita servicecenter om du behöver ytterligare information om dessa tillbehör.

- Sågkedja
- Kedjeskydd
- Kompletet svärd
- Kedjemått
- Rundfil 4,5 mm
- Plattfil
- Filmall med 4,5 mm fil
- Filhandtag
- 1 l BIOTOP sågkedjeolja
- 5 l BIOTOP sågkedjeolja
- Normalt smörjfett
- Smörjpistol

# NORSK

## Medfølgende deler

- |                        |                             |                              |
|------------------------|-----------------------------|------------------------------|
| 1. Bakre håndtak       | 6. Sverd                    | 11. Bakre håndvern           |
| 2. Startbryter         | 7. Sagkjede                 | 12. Riflet skinne (klostopp) |
| 3. Oljepåfyllingshette | 8. Hendel                   | 13. AV-sperreknapp           |
| 4. Fremre håndtak      | 9. Kjedefjølbeskyttelse     | 14. Kjedefanger              |
| 5. Fremre håndvern     | 10. Siktevinde for oljenivå | 15. Slire                    |

## Oversiktsforklaring

- |                         |                         |                        |
|-------------------------|-------------------------|------------------------|
| 1. AV-sperreknapp       | 11. Stramme             | 21. Sikteglass         |
| 2. Startbryter          | 12. Hendel              | 22. Riflet skinne      |
| 3. Trykk inn            | 13. Lav                 | 23. Felleområde        |
| 4. Løsne                | 14. Høy                 | 24. Oljeføringsspor    |
| 5. Kjedefjølbeskyttelse | 15. Sverd               | 25. Oljetilførselshull |
| 6. Innstillingshjul     | 16. Sagkjede            | 26. Tannskive          |
| 7. Justeringsstift      | 17. Oljepåfyllingshette | 27. Flat skrutrekker   |
| 8. Bøyle                | 18. Håndvern            | 28. Filter             |
| 9. Hull                 | 19. Lås                 | 29. Kjedefjøl          |
| 10. Lite hull           | 20. Lås opp             |                        |

## TEKNISKE DATA

Modell		UC3020A	UC3520A	UC4020A
Maks. kjedehastighet (m/s)			13,3	
Kappedybde		300 mm	350 mm	400 mm
Regelmessig ettersliping.	Type	90SG		
	Deling	3/8"		
Lydeffektnivå L <sub>WA</sub> av dB (A) jf. EN 50144 -1 <sup>1)</sup>		105,3		
Lydtrykknivå L <sub>pA</sub> av dB (A) på arbeidsplassen jf. EN 50144 -1 <sup>1)</sup>		92,3		
Svingakselerasjon a <sub>h,w</sub> av jf. ISO 50144-2-13 <sup>1)</sup> - Fremre håndtak m/s <sup>2</sup>		3,4		3,9
- Bakre håndtak m/s <sup>2</sup>		4,0		4,5
Oljepumpe		Automatisk		
Oljetankkapasitet (1)		0,20		
Kraftoverføring		Direkte		
Kjedebremse		Manuell		
Utkoblingsbremse		Mekanisk		
Total lengde (uten sverd)		436 mm		
Nettovekt		3,8 kg		
Skjøteledning (tilleggsutstyr)		DIN 57282/HO 7RN -F L=30 m maks., 3 x 1,5 mm <sup>2</sup>		

1) Dataene tar like mye hensyn til driftsforholdene ved full belastning som til driftsforholdene ved maksimal hastighet.

- Som følge av vårt kontinuerlige forsknings- og utviklingsprogram kan de tekniske dataene endres uten ytterligere forvarsel.
- Merk: Tekniske data kan variere fra land til land.

### Symboler

END218-1

Nedenfor ser du symbolene som brukes for denne maskinen. Forviss deg om at du forstår hva de betyr, før du begynner å bruke maskinen.



..... DOBBEL ISOLASJON



..... Les bruksanvisningen og ta hensyn til advarslene og sikkerhetsinstruksjonene.



..... Forsiktig: Vær meget forsiktig og oppmerksom!

-  ..... Forsiktig: Trekk ut støpselet ut av stikkkontakten omgående hvis kabelen er skadet!
-  ..... Forsiktig: Tilbakeslag (kickback)!
-  ..... Beskytt mot regn og fuktighet!
-  ..... Bruk hjelm, vernebriller og hørselvern!
-  ..... Bruk vernehansker.
-  ..... Trekk støpselet ut av stikkkontakten!
-  ..... Førstehjelp
-   ..... Resirkulering
-  ..... CE-merking
-  ..... Maksimal tillatt kutt lengde
-  ..... Kjedets rotasjonsretning
-  ..... Sagkjedeolje
-  ..... Kjedebremsen er løsnet/trukket til
-  ..... Forbudt!

## Riktig bruk

Maskinen er beregnet på kutting av tømmer og stokker.

## Strømforsyning

Maskinen må bare kobles til en strømkilde med samme spenning som vist på typeskiltet, og kan bare brukes med enfase-vekselstrømforsyning. Det er dobbelt verneisoleret i samsvar med europeiske standarder, og kan derfor også brukes i kontakter uten jordledning.

## For offentlige lavspenningsnett på mellom 220 V og 250 V.

Inn- og utkobling av elektriske apparater forårsaker spenningsvariasjoner. Bruken av dette apparatet under uheldige forhold i strømmettet kan ha negative virkninger på bruken av annet utstyr. Når strømmetimpedansen er lik eller lavere enn 0,35 ohm, er det grunn til å anta at ingen negative virkninger vil oppstå. Nettuttaket som brukes til dette apparatet må være beskyttet av en treg sikring eller et tregt overlastvern.

## YTTERLIGERE SIKKERHETSREGLER

ENB098-1

1. Les denne bruksanvisningen for å bli fortrolig med bruken av motorkjedesagen.
2. Før du bruker motorsagen for første gang, må du sørge for å få opplæring i bruken av den. Hvis dette ikke er mulig, må du i det minste øve deg på å kutte rundtømmer på en sagkrakk før du begynner å jobbe.

3. Motorsagen må ikke brukes av barn eller unge mennesker under 18 år. Det kan gjøres unntak for ungdom over 16 år kan hvis de får opplæring under overoppsyn av en ekspert.
4. Arbeid med en motorsag krever et høyt konsentrasjonsnivå. Ikke jobb med sagen hvis du ikke føler deg vel og i form. Utfør alt arbeid rolig og forsiktig.
5. Arbeid aldri under innflytelse av alkohol, rusmidler eller medikamenter.


## Riktig bruk

1. Motorsagen er kun beregnet på saging av tre. Ikke bruk den til å kutte for eksempel plast eller porøs betong.
2. Motorsagen må kun brukes til den typen arbeidsoperasjoner som er beskrevet i denne bruksanvisningen. Den må for eksempel ikke brukes til å trimme hekker eller liknende formål.
3. Motorsagen må ikke brukes til tømmerhugst, dvs. for felling og kvisting av tre på rot. Kabelen til motorsagen gir ikke operatøren den mobiliteten og sikkerheten som er påkrevet for slikt arbeid.
4. Motorsagen er ikke beregnet på yrkesmessig bruk.
5. Ikke overlast motorsagen.

## Personlig verneutstyr.

1. Klærne må være tettstittende, men de må ikke gjøre det vanskelig å bevege seg fritt.
2. Bruk følgende verneklær under arbeidet:
  - Godkjent vernehjelm, hvis det kan være fare for fallende grener eller liknende
  - Ansiktsmaske eller vernebriller
  - Passende hørselvern (øreklodder, tilpassede eller formbare øreplugg) Oktavanalyse på forespørsel.
  - Faste vernehansker av skinn
  - Langbukser laget av sterkt stoff
  - Vernebukser av et stoff som er motstandsdyktig mot kutt
  - Vernesko eller -støvler med sklisikre såler, ståltupp og stoff som er motstandsdyktig mot kutt
  - Pustemaske ved arbeid som produserer støv (f.eks. saging av tørt tre)

## Beskyttelse mot elektrisk støt

-  ..... Motorsagen må ikke brukes i fuktig vær eller fuktige omgivelser, da den elektriske motoren ikke er vannrett.

1. Sagen må kun kobles til jordede stikkontakter i godkjente elektriske kretser. Kontroller at nettspenningen stemmer overens med spenningen på typeskiltet. Forviss deg om at det er montert en 16 A sikring. Sager som brukes utendørs må være tilkoblet en reststrømdrevet bryter med en driftsstrøm som ikke overstiger 30 mA.



..... Skulle tilkoblingskabelen bli skadet, må støpselet omgående trekkes ut av stikkkontakten.

## Sikre arbeidsmetoder

### 1. Før du begynner å jobbe, må du kontrollere at motorsagen er funksjonsdyktig og i så god stand at den oppfyller sikkerhetskravene. Kontroller særlig at:

- Kjedebremsen virker som den skal
- Utkoblingsbremsen virker som den skal
- Sverdet og kjedehjulbeskyttelsen er satt riktig på
- Kjedet er slipt og strammet i samsvar med reglene
- Strømkabelen og støpselet er uskadet

Se kapitlet "KONTROLLPUNKTER".

2. Særlig må du alltid forvise deg om at skjøteledningen har et passende tverrsnitt (se "SPESIFIKASJONER"). Når du bruker en kabeltrommel, må du rulle kabelen helt av trommelen. Når du bruker sagen utendørs, må du passe på at den kabelen som brukes, er beregnet på utendørs bruk og at den har tilsvarende spesifikasjoner.
3. Ikke bruk motorsagen i nærheten av brennbar støv eller brennbare gasser, da motoren lager gnister og utgjør en eksplosjonsfare.
4. Arbeid bare på fast underlag og med godt fofeste. Vær spesielt oppmerksom på hindringer (f.eks. kabelen) i arbeidsområdet. Vær spesielt forsiktig når fuktighet, is, snø, nysaget tre eller bark kan gjøre overflatene glatte. Ikke stå på stiger eller trær når du bruker sagen.
5. Vær spesielt forsiktig når du arbeider på skrått underlag. Rullende stammer og grener utgjør potensielle faremomenter.
6. Sag aldri over skulderhøyde. (Fig. 1)
7. Hold motorsagen med begge hender når du slår den på og når du bruker den. Hold det bakre håndtaket med høyre hånd, og det fremre håndtaket med venstre hånd. Hold håndtakene i fast grep med bruk av tommelfingrene. Sverdet og kjedet må ikke berøre noen gjenstander når sagen slås på.
8. Fjern fremmedlegemer som sand, stein, spiker osv. fra det arbeidsområdet. Fremmedlegemer ødelegger sverdet og kjedet og kan forårsake farlige tilbakeslag (kickback).
9. Vær spesielt forsiktig når du sager i nærheten av nettinggjerder (ståltrådgjerder). Ikke sag inn i gjerdet, da sagen kan slå tilbake mot deg.
10. Ikke sag ned i bakken.
11. Kutt enkeltbiter av tre én og én, ikke i bunter eller stabler.
12. Unngå å bruke sagen til å kutte tynne grener og røtter, da disse kan sette seg fast i motorsagen. Det kan være farlig å miste balansen.
13. Bruk et stabilt underlag (en sagkrakk) når du kapper saget tømmer.
14. Ikke bruk motorsagen til å skyve eller børste bort **trebiter eller andre gjenstander**.
15. Før motorsagen slik at ingen del av kroppen din befinner seg i **forlengelsen av motorsagen**. (Fig. 2)

16. Når du beveger deg rundt mellom arbeidsoperasjoner, må du sette på kjedebremsen for at ikke sagen skal kunne settes i gang ved et ulykkestilfelle. Hold motorsagen i det fremre håndtaket når du bærer den, uten å holde fingeren på bryteren. Trekk ut støpselet fra stikkkontakten når du tar pauser, eller når du lar motorsagen ligge uten tilsyn. Legg motorsagen et sted hvor den ikke utgjør noen fare.
17. Trekk ut støpselet fra stikkkontakten når du tar pauser, eller når du lar motorsagen ligge uten tilsyn. Legg motorsagen et sted hvor den ikke utgjør noen fare.

## Tilbakeslag (kickback)

1. Farlige tilbakeslag (kickback) kan inntreffe under arbeid med motorsagen. Tilbakeslag inntreffer når spissen av sverdet (særlig den øverste fjerdedelen) kommer i kontakt med tre eller en annen fast gjenstand. Dette fører til at motorsagen kastes tilbake i retning av operatøren. (Fig. 3)
2. For å unngå tilbakeslag må du ta følgende forholdsregler:
  - Begynn aldri sagingen med spissen av sverdet.
  - Sag aldri med spissen av sverdet. Vær spesielt forsiktig når du gjenopptar saging i allerede påbegynte snitt.
  - Start sagingen mens kjedet går.
  - Kjedet må alltid slipes på riktig måte. Det er særlig viktig å stille inn rytterne til korrekt høyde (du finner nærmere informasjon under "Slipe kjedet").
  - Sag aldri gjennom flere grener på én gang.
  - Ved kvisting må du passe på at sverdet ikke kommer i kontakt med andre grener.
  - Når du sager opp stokker, må du styre klar av nabostammer. Hold alltid øye med spissen av sverdet.
  - Bruk sagkrakk.

## Sikkerhetsfunksjoner

1. Kontroller alltid at sikkerhetsmekanismene fungerer før du begynner arbeidet. Ikke bruk motorsagen hvis sikkerhetsmekanismene ikke fungerer som de skal.
- **Kjedebrems:**  
Motorsagen er utstyrt med en kjedebrms som stopper motorsagen i løpet av en brøkdell av et sekund. Den aktiveres når håndvernet skyves forover. Sagkjedet stopper da i løpet av 0,15 sekunder, og strømtilførselen til motoren brytes.
  - **Utkoblingsbrems: (Fig. 4)**  
Motorsagen er utstyrt med en utkoblingsbrms som stopper sagkjedet omgående når AV/PÅ-bryteren slippes. Dette hindrer sagkjedet i å fortsette å gå når motoren er slått av, og dermed utgjøre en fare.
    - **Fremre og bakre håndvern** beskytter brukeren mot skader som kan oppstå hvis trebiter kastes bakover, eller hvis kjedet ryker.
    - PÅ-sperren hindrer at motorsagen blir slått på uten at det var tilsiktet.
    - **Kjedefangeren** beskytter brukeren mot skader i tilfelle kjedet hopper av eller ryker.



## Transport og lagring



Når motorsagen ikke skal brukes på en stund, eller når den skal transporteres, må du trekke ut støpselet av stikkkontakten og sette på sliren som fulgte med sagen. Motorsagen må aldri bæres eller transporteres mens sagkjedet går.

1. Motorsagen må kun bæres etter det fremre håndtaket, med sverdet pekende bakover.
2. Oppbevar motorsagen utilgjengelig for barn, i et sikkert, tørt og låst rom. Ikke oppbevar motorsagen utendørs.

## Vedlikehold

1. Trekk støpselet ut av stikkkontakten før du utfører noen form for justeringer eller vedlikehold.
2. Kontroller regelmessig at isolasjonen til strømkabelen ikke er skadet.
3. Rengjør motorsagen med jevne mellomrom.
4. Sørg for at alle skader på plasthuset blir reparert ordentlig og omgående.
5. Ikke bruk sagen hvis startbryteren ikke fungerer som den skal. Sørg for at den blir ordentlig reparert.
6. Motorsagen må under ingen omstendigheter modifiseres. Det er din sikkerhet det gjelder.
7. Ikke utfør andre typer vedlikehold eller reparasjoner enn de som er beskrevet i denne bruksanvisningen. Alt annet arbeid må utføres av MAKITA Service.
8. Bruk kun originale MAKITA-reservedeler og -tilbehør beregnet på din sagmodell. Bruk av andre deler øker faren for en ulykke.
9. MAKITA kan ikke ta på seg noe ansvar for ulykker eller skade hvis det brukes ikke-godkjente sverd eller sagkjeder eller andre typer ikke-godkjente reservedeler eller tilbehør. Du finner mer informasjon om godkjente sverd og sagkjeder i "Utdrag av reservedelslisten".

## Førstehjelp



Ikke jobb alene. Jobb alltid innenfor hørevidde av en annen person.

1. Sørg for at du alltid har et førstehjelpsskrin tilgjengelig. Når du bruker noe fra førstehjelpsskrinet, må du sørge for å komplettere innholdet omgående.
2. Hvis du trenger assistanse i forbindelse med en ulykke, må du gi følgende opplysninger:
  - Hvor skjedde ulykken?
  - Hva skjedde?
  - Hvor mange mennesker er skadet?
  - Hvilke skader har du?
  - Hvem rapporterer om ulyken

## MERK:

Hvis personer som har problemer med blodtrykk utsettes for vibrasjoner, kan det føre til skader på blodkar eller nervesystemet.

Som følge av vibrasjoner kan følgende symptomer oppstå på fingre, hender eller håndledd: Kroppsdelene "sovner"

(nummenhet), killing, smerter, stikkende følelse, endring av hudfargen eller av huden.

**Tilkall lege hvis disse symptomene oppstår!**

## TA VARE PÅ DISSE ANVISNINGENE.

## FUNKSJONSBEKRIVELSE

### FORSIKTIG:

- Forviss deg alltid om at maskinen er slått av og støpselet trukket ut av kontakten før du justerer maskinen eller kontrollerer dens mekaniske funksjoner.

### Bryterfunksjon (Fig. 5)

#### FORSIKTIG:

- Før du kobler maskinen til strømmettet, må du alltid kontrollere at startbryteren aktiverer maskinen på riktig måte og går tilbake til "AV"-stilling når den slippes.

For å unngå at startbryteren trykkes inn ved en feiltakelse, er maskinen utstyrt med en AV-sperreknapp.

For å starte maskinen må du trykke på AV-sperreknappen og trykke på startbryteren.

Slipp startbryteren for å stoppe maskinen.

## MONTERING

### FORSIKTIG:

- Forviss deg alltid om at maskinen er slått av og støpselet trukket ut av kontakten før du utfører noe arbeid på maskinen.

### Montere eller fjerne sagkjedet

#### FORSIKTIG:

- Forviss deg alltid om at maskinen er slått av og støpselet trukket ut av kontakten før du monterer eller fjerner sagkjedet.
- Bruk alltid hansker når du monterer eller fjerner sagkjedet.

1. For å fjerne sagkjedet må du sette hendelen i hevet stilling. (Fig. 6)
2. Trykk på hendelen og drei den mot klokken (mens den er trykket inn) for å løsne mutteren, inntil kjedehjulbeskyttelsen løsner. (Når hendelen trykkes inn, passer den i sporet i mutteren.)
3. Drei innstillingshjulet mot klokken for å løsne sagkjedestrømmingen.
4. Ta av kjedehjulbeskyttelsen.
5. Fjern sagkjedet og sverdet fra motorsagen.
6. For å montere sagkjedet må du legge den ene enden av sagkjedet rundt spissen av sverdet og den andre enden rundt kjedehjulet. (Fig. 7)

Når du har kommet så langt, må du montere sagkjedet som vist på figuren, fordi det roterer i pilens retning.

7. Sett sverdet på plass på motorsagen.
8. Drei innstillingshjulet mot klokken for å skyve justeringsstiften i pilens retning. (Fig. 8)
9. Sett kjedehjulbeskyttelsen på motorsagen, slik at kroken på dens bakre deksel passer inn i et hull i

motorsagen samtidig som justeringsstiften går inn i et lite hull i sverdet. (Fig. 9)

10. Trykk inn hendelen og dreii den så langt som mulig med klokken (mens hendelen er trykket inn), for å stramme mutteren. Dreii den deretter omtrent en kvart omdreining mot klokken for å løsne mutteren litt. (Fig. 10)

## Justere strammingen av sagkjedet

Sagkjedet kan bli løsere etter mange timers bruk. Fra tid til annen må du kontrollere strammingen av sagkjedet før bruk.

Sett hendelen i hevet stilling. (Fig. 11)

Trykk inn hendelen. Mens hendelen er trykket inn, må du dreie den en kvart omdreining mot klokken for å løsne den litt. (Når hendelen trykkes inn, passer den i sporet i mutteren.) (Fig. 12)

Dreii på innstillingshjulet for å justere strammingen av sagkjedet. Grip sagkjedet på midten av sverdet og løft det opp. Klaringen mellom sverdet og undersiden av leddene i sagkjedet bør være ca. 2 - 4 mm. Hvis klaringen ikke er omtrent 2 - 4 mm, må du dreie litt på innstillingshjulet som holder sverdet. På dette tidspunkt må du justere mens spissen av sverdet peker svakt oppover. (Fig. 13)

Mens hendelen er trykket inn, må du dreie den så langt den går med klokken for å stramme mutteren godt. (Fig. 14)

Sett hendelen tilbake til dens opprinnelige stilling. (Fig. 15)

### FORSIKTIG:

- Allfor kraftig stramming av sagkjedet kan forårsake brudd på sagkjedet, slitasje på sverdet og brudd på innstillingshjulet.
- Montering eller fjerning av sagkjedet bør utføres på et rent sted helt uten sagflis eller liknende.

## BRUK

### Smøring

#### FORSIKTIG:

- Forviss deg alltid om at maskinen er slått av og støpselet trukket ut av kontakten før du smører sagkjedet.

Smør sagkjedet og sverdet med en biologisk nedbrytbar sagkjedeolje med klebemiddel. Klebemidlet i kjedeoljen forhindrer at oljen slynges bort fra sagen med én gang. Ikke bruk mineralolje, da slik olje er skadelig for miljøet. (Fig. 16)

#### FORSIKTIG:

- Unngå hudkontakt med oljen, og unngå å få den i øynene. Olje i øynene kan forårsake irritasjon. Hvis du får olje i øynene, må du omgående skylle det berørte øyet med vann, og deretter snarest oppsøke lege.
- Bruk aldri spillolje. Spillolje inneholder kreftfremkallende substanser. De forurensende stoffene i spillolje gir enda raskere slitasje på oljepumpen, sverdet og kjedet. Spillolje er skadelig for miljøet.

- Når du fyller kjedeolje på motorsagen for første gang, eller når du fyller tanken etter at den har vært kjørt helt tom, må du fylle på olje til underkanten av påfyllingsstussen. Ellers kan oljetilførselen bli for dårlig.

Rengjør grundig området rundt oljepåfyllingshetten vist på figuren, for å hindre forurensninger i å komme inn i oljetanken. (Fig. 17)

Skrv av oljepåfyllingshetten og fyll på olje til undersiden av påfyllingsstussen.

Skrv oljepåfyllingshetten ordentlig på igjen.

Tørk forsiktig av eventuelt oljesøl.

Når motorsagen brukes for første gang, kan det ta opptil to minutter før kjedeoljen begynner å smøre sagmekanismen. Kjør sagen uten belastning inntil smøringen begynner (se "KONTROLLER").

Tankkapasiteten (200 ml) er tilstrekkelig til ca. 30 minutters bruk.

## KONTROLLER

Før du begynner arbeidet, må du utføre følgende kontroller:

### Kontroll av kjedestrømningen (Fig. 18)

#### ADVARSEL:

- Før du kontrollerer kjedestrømningen, må du alltid trekke ut støpselet av stikkkontakten, og ta på deg vernehansker.

Sagkjedet er korrekt strammet når det berører undersiden av sverdet og kan løftes ca. 2-4 mm opp fra sverdet med lett trykk fra en finger.

Kontrollerer kjedestrømningen hyppig, da nye kjeder har en tendens til å strekke seg. Et kjede som er for slakt kan hoppe av sverdet, og utgjør derfor en ulykkesrisiko.

Hvis kjedet er for slakt: Slå opp i kapitlet "Justere sagkjedestrømningen" og juster sagkjedestrømningen igjen.

### Kontrollere bryterfunksjonen

#### FORSIKTIG:

Koble alltid maskinen fra strømmettet før du tester startbryteren. Det er forbudt å låse startbryteren i PÅ-stilling. Det må ikke være mulig å trykke inn startbryteren med mindre AV-sperreknappen er blitt trykket først.

Startbryteren må ikke sette seg fast i inntrykket stilling. Når startbryteren slippes, må den automatisk vende tilbake til AV-stillingen, og AV-sperreknappen må vende tilbake til sin opprinnelige stilling. (Fig. 19)

### Kontroll av kjedebremsen

#### MERK:

- Hvis motorsagen ikke starter, må kjedebremsen løsnes. Trekk håndvernet så langt bakover at du merker at motoren griper.

Hold motorsagen med begge hender når du slår den på. Hold det bakre håndtaket med høyre hånd, og det fremre håndtaket med venstre hånd. Sverd og kjede må ikke berøre noen gjenstander.

Trykk først på AV-sperreknappen og deretter på startbryteren. Sagkjedet starter umiddelbart.

Skyv håndvernet forover med håndbaken. Sagkjedet må stoppe umiddelbart. (Fig. 20)

#### FORSIKTIG:

- Hvis sagkjedet ikke stopper umiddelbart når denne testen utføres, må sagen under ingen omstendigheter brukes. Rådfør deg med et MAKITA-spesialverksted.

#### Kontrollere utkoblingsbremsen

Slå på motorsagen.

Slipp startbryteren helt. Sagkjedet må stoppe i løpet av ett sekund.

#### FORSIKTIG:

- Hvis sagkjedet ikke stopper i løpet av ett sekund når denne testen utføres, må sagen ikke brukes. Rådfør deg med et MAKITA-spesialverksted.

#### Kontroll av kjedeoljeren (Fig. 21)

Sjekk oljenivået i tanken og oljetilførselen før oppstart.

Oljenivået er synlig i sikteglasset vist på figuren.

Kontroller oljetilførselen som følger:

Start motorsagen.

Når sagen går, må du holde sagkjedet ca. 15 cm over en trestamme eller over bakken. Hvis smøringen er passelig, vil oljespruten lage et svakt oljespor. Legg merke til vindretningen, og ikke utsett deg for unødvendig oljesprut.

#### FORSIKTIG:

- Hvis det ikke dannes noe oljespor, må du ikke bruke sagen. Ellers vil kjedets levetid bli redusert. Kontroller oljenivået. Rengjør oljetilførselssporet og oljetilførselshullet i sverdet (se "VEDLIKEHOLD").

## ARBEIDE MED MOTORSAGEN

### Sage opp en stokk i kubber

Når du skal sage opp en stokk i kubber, må du la den riflede skinnen vist på figuren ligge på stokken som skal kappes. (Fig. 22)

Sag inn i treet med løpende sagkjede, idet du bruker det bakre håndtaket til å løfte sagen og det fremre til å styre den. Bruk den riflede skinnen som dreiepunkt.

Fortsett snittet ved å legge lett trykk på det fremre håndtaket mens du trekker sagen noe tilbake. Beveg den riflede skinnen lenger ned langs stokken og hev det fremre håndtaket igjen.

Når du lager flere snitt, må du slå av motorsagen mellom snittene.

#### FORSIKTIG:

- Hvis den øvre kanten av sverdet brukes til saging, kan sagen kastes mot deg hvis kjedet setter seg fast. Derfor må du sage med den nedre kanten, så sagen eventuelt kastes bort fra deg. (Fig. 23)

Tre som står i spenn må sages på trykksiden (A) først.

Lag så det siste snittet på strekksiden (B). På denne måten unngår man at sverdet setter seg fast. (Fig. 24)

## Kvisting

#### FORSIKTIG:

- Kvisting må kun utføres av brukere som har fått opplæring i dette. Risikoen for tilbakeslag er et faremoment.

Når du kvister, må du støtte motorsagen mot stammen, hvis det er mulig. Ikke sag med spissen av sverdet, da dette medfører fare for tilbakeslag.

Vær spesielt oppmerksom på grener som står i spenn.

Fritthengende grener må ikke kappes fra undersiden.

Ikke stå på den felte stammen under kvisting.

#### Uthuling og snitt som følger fiberretningen

#### FORSIKTIG:

- Uthuling og snitt som følger fiberretningen må bare utføres av operatører som har fått spesialopplæring. Muligheten for tilbakeslag utgjør en skaderisiko.

Snitt som følger fiberretningen må utføres i en så stump vinkel som mulig. Utfør snitt så nøyaktig som mulig, da den riflede skinnen ikke kan brukes. (Fig. 25)

#### Trefelling

#### FORSIKTIG:

- Trefelling må kun utføres av operatører som har fått opplæring i dette. Arbeidet er farlig.

Følg lokale bestemmelser hvis du ønsker å felle et tre.

#### (Fig. 26)

- Før du begynner med trefellingen, må du forvisse deg om at:
  - (1) Ingen andre personer enn de som deltar i trefellingen befinner seg i nærheten
  - (2) Alle som deltar i trefellingen har uhindret tilgang en vei ut av området innenfor en vinkel på ca. 45 ° på hver side av fellingsaksen. Ta hensyn til det ekstra faremomentet som består i at man kan snuble i elektriske ledninger.
  - (3) Foten av stammen er fri for fremmedlegemer, røtter og grener
  - (4) Ingen personer eller gjenstander befinner seg nærmere enn 2 1/2 trelengde i den retningen treet vil falle.
- Ta hensyn til følgende når det gjelder hvert enkelt tre:
  - Hvilken vei det lener seg
  - Løse eller tørre grener
  - Treets høyde
  - Naturlig overheng
  - Hvorvidt treet er råttent eller ikke
- Ta hensyn til vindhastigheten og vindretningen. Ikke fell trær i sterk vind.
- Trimme røtter: Begynn med de største røttene. Foreta det vertikale kuttet først, og deretter det horisontale. (Fig. 27)
- Lag et styreskjær: Styreskjæret avgjør hvilken retning treet vil falle, og styrer det. Det gjøres på den siden treet skal falle mot. Lag styreskjæret så nær bakken som mulig. Lag først et horisontalt snitt til en dybde på 1/5 - 1/3 av stammediameteren. Ikke lag styreskjæret for stort. Utfør så det diagonale snittet.

- Ved eventuelle korreksjoner av styreskjæret må disse gjøres over hele bredden av det. (Fig. 28)
- Lag hovedskjæret litt høyere enn bunnsnittet av styreskjæret. Hovedskjæret må sages helt vannrett. La ca. 1/10 av stammehøyden være igjen mellom hovedskjæret og styreskjæret. Trefibrene i den ukappede stammedelen fungerer som hengsel. Du må under ingen omstendigheter kutte helt gjennom fibrene, da treet i så fall vil falle uhindret. Sett inn kiler i styreskjæret i tide.
- Bruk kun plast- eller aluminiumkiler til å holde styreskjæret åpent. Det er forbudt å bruke jernkiler.
- Stå til siden for det fallende treet. La det være et åpent område bak det fallende treet i en vinkel på opptil 45 ° på hver side av treet akse (se figuren over "felleområdet"). Vær oppmerksom på fallende grener.

## VEDLIKEHOLD

### FORSIKTIG:

- Forviss deg alltid om at maskinen er slått av og støpselet trukket ut av kontakten før du foretar inspeksjon eller vedlikehold.
- Bruk alltid hansker når du utfører inspeksjon eller vedlikehold.

Utfør det vedlikeholdsarbeidet som er beskrevet nedenfor med jevne mellomrom. Garantikrav aksepteres kun hvis disse arbeidsoperasjonene er utført jevnlig og ordentlig. Brukeren må kun utføre vedlikeholdsarbeid beskrevet i denne bruksanvisningen. Alt annet arbeid må utføres av et MAKITA-spesialverksted.

### Rengjøre motorsagen

Rengjør motorsagen jevnlig med en ren fille. Særlig håndtakene må holdes fri for olje.

### Kontroll av plasthuset

Utfør regelmessige visuelle inspeksjoner av alle deler av huset. Hvis noen deler er skadet, må du sørge for å få dem reparert omgående og ordentlig i et MAKITA-spesialverksted.

### Sliping av sagkjedet

#### FORSIKTIG:

- Før du utfører noe arbeid på sagkjedet, må du alltid trekke ut støpselet av stikkkontakten og ta på deg vernehansker. (Fig. 29)

#### Slip sagkjedet når:

- Det dannes melaktig sagflis når du sager i vått tre
- Kjedet har problemer med å trenge gjennom treet, selv når du legger kraftig press på sagen
- Snittkanten åpenbart er defekt
- Sagen trekker til venstre eller høyre i treet Årsaken til denne oppførselen er ujevn sliping av sagkjedet, eller at den ene siden av det er skadet.

#### Slip sagkjedet hyppig, men fjern bare litt materiale hver gang.

To eller tre strøk med en fil er vanligvis nok ved rutinemessig sliping.

Når sagkjedet er blitt slipt om igjen flere ganger, bør du få det slipt hos et MAKITA-spesialverksted.

#### Slipekriterier:

- Alle tenner må være like lange (mål a). Tenner av ulik lengde hindrer at kjedet løper jevnt, og kan få kjedet til å ryke.
- Ikke slip kjedet når minste tannlengde på 3 mm er nådd. Da må du montere et nytt kjede.
- Spontykkelsen bestemmes av avstanden mellom rytterne (rund nese) og snittkanten. De beste sageresultatene oppnås med en avstand på 0,5 mm mellom snittkanten og rytterne. (Fig. 30)

#### ADVARSEL:

- For stor avstand øker risikoen for tilbakeslag.
- Slipevinkelen på 30 ° må være lik på alle tennene. Ulikheter i vinkelen kan få kjedet til å gå ujevnt, øke slitasjen og føre til kjedebrudd.
- Tannsideplatevinkelen på 80 ° bestemmes av hvor langt den runde filen går inn. Hvis den spesifiserte filen brukes riktig, vil den korrekte sideplatevinkelen produseres automatisk. (Fig. 31)

#### Fil og filføring (Fig. 32 - 34)

- Bruk en rund spesialfil (tilleggsutstyr) for sagkjeder, med en diameter på 4,5 mm, til å slipe kjedet. Vanlige runde filer kan ikke brukes.
- Filen må bare berøre materialet på vei forover. Løft filen av materialet på vei tilbake.
- Slip den korteste tannen først. Lengden av denne tannen blir da målestokken for alle de andre tennene på sagkjedet.
- Før filen som vist på figuren. Filen kan føres enklere ved hjelp av en filholder (tilleggsutstyr).
- Filholderen har merker for korrekt slipevinkel på 30 ° (legg merkene parallelt med sagkjedet) og begrenser inntreningsdybden (til 4/5 av fildiameteren).
- Etter at kjedet er slipt, må du kontrollere høyden på rytterne ved hjelp av kjedemalen (tilleggsutstyr).
- Fjern eventuelt fremstikkende materiale, uansett hvor lite det dreier seg om, med en flat spesialfil (tilleggsutstyr).
- Rytterne rundes av igjen i forkant.

### Rengjøre sverdet og smøre taggtrinsen.

#### FORSIKTIG:

- Bruk alltid vernebriller når du utfører denne oppgaven. Gradkanter utgjør en skaderisiko. (Fig. 35)

Kontroller regelmessig at de løpende overflatene av sverdet ikke er skadet. Rengjør dem med et passende verktøy, og fjern gradkanter om nødvendig.

Hvis sagkjedet brukes ofte, må du smøre lageret til taggtrinsen minst én gang i uken. Før du legger på ny grease, må du forsiktig gjøre ren det 2 mm store hullet på spissen av sverdet, og deretter presse en liten mengde flerbruksgrease (tilleggsutstyr) inn i hullet.

### Rengjøre oljeføringen (Fig. 36)

- Rengjør oljetilførselssporet og oljetilførselshullet i sverdet med jevne mellomrom.

## Rengjøre oljefilteret ved oljeutløpshullet

Under drift kan det ha samlet seg fint støv og andre partikler i oljefilteret ved utløpshullet for oljen.

Fint støv eller partikler i oljefilteret kan hindre oljestrømmen og forårsake utilstrekkelig smøring av hele sagkjedet.

Når oljen ikke når skikkelig frem til toppen av sverdet, må du rengjøre filteret som følger.

Koble maskinen fra strømmettet.

Fjern kjedehjulet og sagkjedet fra maskinen. (Se kapitlet "Montere eller fjerne sagkjedet".)

Fjern tannskiven ved hjelp av en flat skrutrekker med smalt skaft. (Fig. 37)

Ta filteret ut av motorsagen og fjern støvet eller partikkelene.

Hvis filteret er for skittent, må du bytte det ut med et nytt.

Koble maskinen til strømmettet igjen. (Fig. 38)

Trykk på startbryteren for å skylle bort oppsamlet støv og partikler fra oljeutløpshullet med kjedeoljen.

Koble maskinen fra strømmettet. (Fig. 39)

Sett det rengjorte oljefilteret inn i oljeutløpshullet. Hvis filteret er for skittent, må du bytte det ut med et nytt.

(Fig. 40)

For å feste filteret må du sette tannskiven inn i oljeutløpshullet igjen med riktig side opp, som vist på figuren. Hvis filteret ikke kan festes fordi tannskiven er deformert, må du bytte ut skiven med en ny.

- Sett kjedehjulet og sagkjedet på maskinen igjen.

(Fig. 41)

## Nye sagkjeder

Skift på å bruke to eller tre sagkjeder, så sagkjedet, kjedehjulet og de løpende overflatene på sverdet slites jevnt.

Snu sverdet når du skifter kjede, så sverdsporet slites jevnt.

### FORSIKTIG:

- Bruk kun kjeder og sverd som er godkjent for bruk med denne sagmodellen (se "SPESIFIKASJONER").

(Fig. 42)

Før du monterer et nytt sagkjede må du sjekke tilstanden til kjedehjulet.

### FORSIKTIG:

- Et slitt kjedehjul ødelegger et nytt sagkjede. Skift i så fall ut kjedehjulet.

Monter alltid en ny låsering når du skifter kjedehjulet.

## Vedlikeholde kjedet og utkoblingsbremsen

Bremsesystemene er meget viktige sikkerhetsfunksjoner. Som alle andre komponenter av motorsagen er de utsatt for en viss slitasje. De må inspiseres regelmessig av et MAKITA-spesialverksted. Dette tiltaket tjener din egen sikkerhet.

## Oppbevaring av maskinen

Biologisk nedbrytbar sagkjedeolje kan bare oppbevares i en begrenset periode.

Etter to år etter produksjonsdatoen begynner biologiske oljer å anta en klebrig kvalitet, og de begynner å skade oljepumpen og komponentene i smøresystemet.

- Før du tar motorsagen ut av drift for en lengre periode, må du tømme oljetanken og fylle den med en liten mengde motorolje (SAE 30).
- Kjør motorsagen kort for å skylle alle rester av den biologiske oljen ut av tanken, smøresystemet og sagmekanismen.

**Når motorsagen tas ut av bruk, vil små mengder olje lekke fra den en stund etterpå. Dette er normalt, og ikke et tegn på at noe er galt.**

Lagre motorsagen på et egnet underlag.

Før du tar motorsagen i bruk igjen, må du fylle den igjen med fersk BIOTOP sagkjedeolje.

For å opprettholde produktets SIKKERHET og PÅLITELIGHET, må reparasjoner, vedlikehold og justeringer utføres av Makitas autoriserte servicesentre, og det må alltid brukes reservedeler fra Makita.

## TILBEHØR

### FORSIKTIG:

- Det anbefales at du bruker dette tilbehøret eller verktøyet sammen med den Makita-maskinen som er spesifisert i denne håndboken. Bruk av annet tilbehør eller verktøy kan forårsake helseskader. Tilbehør og verktøy må kun brukes til det formålet det er beregnet på.

Ta kontakt med ditt lokale Makita-servicesenter hvis du trenger mer informasjon om dette tilbehøret.

- Regelmessig ettersliping.
- Siire
- Sverd, komplett
- Kjedemal
- Rund fil 4,5 mm
- Flat fil
- Filholder med 4,5 mm fil
- Filhåndtak
- 1 l BIOTOP motorsagolje
- 5 l BIOTOP motorsagolje
- Flerbruksgrease
- Fettpresse

**Osat**

- |                       |                               |                                |
|-----------------------|-------------------------------|--------------------------------|
| 1. Takakahva          | 6. Terälevy                   | 11. Takakahvan suojus          |
| 2. Liipaisinkytkin    | 7. Teräketju                  | 12. Hammastettu kisko          |
| 3. Öljysäiliön tulppa | 8. Vipu                       | 13. Lukituksen vapautuspainike |
| 4. Etukahva           | 9. Hammaspöyrän kotelo        | 14. Ketjusieppo                |
| 5. Heittosuojus       | 10. Öljynpinnan tarkastuslasi | 15. Terälevyn suojus           |

**Yleiskuvaus**

- |                               |                        |                        |
|-------------------------------|------------------------|------------------------|
| 1. Lukituksen vapautuspainike | 11. Kiristä            | 21. Tarkistuslasi      |
| 2. Liipaisinkytkin            | 12. Vipu               | 22. Hammastettu kisko  |
| 3. Paina                      | 13. Löysä              | 23. Kaatoalue          |
| 4. Löysää                     | 14. Kireä              | 24. Öljyn ohjainura    |
| 5. Hammaspöyrän kotelo        | 15. Terälevy           | 25. Öljyn syöttöaukko  |
| 6. Säättökiekko               | 16. Teräketju          | 26. Painomutteri       |
| 7. Säättötappi                | 17. Öljysäiliön tulppa | 27. Tähtipääruuvitalta |
| 8. Koukku                     | 18. Heittosuoja        | 28. Suodatin           |
| 9. Aukko                      | 19. Lukitus            | 29. Hammaspöyrä        |
| 10. Pieni aukko               | 20. Vapautus           |                        |

**TEKNISET TIEDOT**

Malli	UC3020A	UC3520A	UC4020A
Ketjun maksiminopeus (m/s)	13,3		
Katkaisupituus	300 mm	350 mm	400 mm
Teräketju	Tyyppi	90SG	
	Ketjun jako	3/8"	
Ääniteho L WA av dB (A) EN 50144-1 -standardin mukaan <sup>1)</sup>	105,3		
Äänen painetaso L pA av dB (A) työpisteessä EN 50144-1 -standardin mukaan <sup>1)</sup>	92,3		
Värähtelykiihtyvyydet a <sub>h,w</sub> av ISO 50144-2-13 -standardin mukaan <sup>1)</sup>	3,4		3,9
- Etukahva m/s <sup>2</sup>	4,0		4,5
Öljypumppu	Automaattinen		
Öljysäiliön tilavuus (l)	0,20		
Voimansiirto	Suora		
Ketjujarru	Käsi käyttöinen		
Pysäytysjarru	Mekaaninen		
Kokonaispituus (ilman terälevyä)	436 mm		
Nettopaino	3,8 kg		
Jatkojohto (lisävaruste)	DIN 57282/HO 7RN -F P=30 m maks., 3 x 1,5 mm <sup>2</sup>		

1) Täysi kuormitus maksiminopeudella.

- Jatkuvan tutkimus- ja kehitysohjelman vuoksi pidämme oikeuden muuttaa tässä mainittuja teknisiä ominaisuuksia ilman ennakoilmoitusta.
- Huomautus: Tekniset ominaisuudet saattavat vaihdella eri maissa.

**Merkkien selitykset**











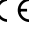





END218-1

Työkalussa on käytetty seuraavia symboleja. Varmista ennen käyttöä, että ymmärrät niiden merkityksen.



..... KAKSINKERTAINEN ERISTYS



-  ..... Huomautus: noudata erityistä varovaisuutta!
-  ..... Huomautus: irrota saha verkkopistokkeesta heti, jos johto on vaurioitunut!
-  ..... Huomautus: takapotku!
-  ..... Suojaa sateelta ja kosteudelta!
-  ..... Käytä kypärää, suojalaseja ja kuulosuojaimia!
-  ..... Käytä suojakäsineitä.
-  ..... Irrota verkkopistoke!
-  ..... Ensiapu
-   ..... Kierrätys
-  ..... CE-merkintä
-  ..... Suurin sallittu katkaisupituus
-  ..... Ketjun pyörimissuunta
-  ..... Ketjuöljy
-  ..... Ketjujarru päälle/pois
-  ..... Kielletty!

## Käyttötarkoitus

Työkalu on tarkoitettu puutavaran ja puiden katkaisuun.

## Virtalähde

Koneen saa kytkeä vain sellaiseen virtalähteeseen, jonka jännite on sama kuin arvokilvessä ilmoitettu, ja sitä saa käyttää ainoastaan yksivaiheisella vaihtovirralla. Kone on kaksinkertaisesti suojaeristetty eurooppalaisten standardien mukaisesti, ja se voidaan siten kytkeä myös maadoittamattomaan pistorasiaan.

## 220 ja 250 voltin matalajännitteiset jakeluverkot

Sähkölaitteiden käynnistyksessä ja sammutus aiheuttavat jännitevaihteluita. Tämän laitteen käyttö epävakaassa verkossa saattaa haitata muiden laitteiden toimintaa. Haittavaikutuksia ei ole odotettavissa, jos verkon impedanssi on enintään 0,35 ohmia. Verkkopistokkeessa, johon tämä laite kytketään, on oltava sulake tai hidas vikavirtasuojaus.

# LISÄTURVAOHJEITA

ENB098-1

1. Tutustu ketjusahan käyttöön tämän käyttöohjeen avulla.
2. Ennen kuin käytät sahaa ensimmäistä kertaa, pyydä opastusta laitteen käytössä. Ellei tämä ole mahdollista, harjoittele sahaamalla pyöreitä puita pukilla ennen varsinaisen työn aloittamista.

3. Sahaa ei saa luovuttaa lasten tai alle 18-vuotiaiden nuorten käyttöön. Poikkeuksellisesti sahaa voivat käyttää myös kuusitoista vuotta täyttäneet, jos he opettelevat sahan käyttöä asiantuntijan valvonnassa.
4. Ketjusahan käyttö edellyttää huolellista keskittymistä. Älä käytä sahaa, jos et tunne oloasi terveeksi ja hyväkuntoiseksi. Tee kaikki sahaustyö rauhallisesti ja huolellisesti.
5. Älä koskaan käytä sahaa alkoholin, muiden päihteiden tai lääkityksen vaikutuksen alaisena.


## Sahan oikea käyttö

1. Ketjusaha on tarkoitettu vain puun sahaukseen. Älä käytä sitä esimerkiksi muovin tai kevytbetonin sahaukseen.
2. Käytä sahaa vain näissä ohjeissa kuvattuihin tarkoituksiin. Älä esimerkiksi käytä sahaa pensasaitojen leikkaamiseen tai vastaaviin tarkoituksiin.
3. Ketjusahaa ei saa käyttää metsätöihin eli seisovien puiden kaatoon ja karsimiseen. Ketjusaha ei tarjoa riittävää liikkumavapautta ja turvallisuustasoa tällaisiin töihin.
4. Ketjusahaa ei ole tarkoitettu kaupalliseen käyttöön.
5. Älä ylikuormita sahaa.

## Henkilösuojaimet

1. Vaatteiden täytyy olla istuvia, mutta ne eivät saa haitata liikkumista.
2. Käytä työssä seuraavia suojavarusteita:
  - hyväksytyä suojakypärää, jos putoavat oksat tai vastaavat voivat aiheuttaa vaaraa
  - kasvosuojusta tai suojalaseja
  - sopivia kuulosuojaimia tai korvatulppia. Oktaavikaista-analyysi saatavana.
  - paksuja nahkaisia suojakäsineitä
  - tukevasta kankaasta valmistettuja pitkiä housuja
  - viistosuojatusta kankaasta valmistettuja suojahaalareita
  - turvakengkiä tai saappaita, joissa on karhennettu antura, teräksinen kärkivahvike ja tukeva vuori
  - hengityssuojainta, jos sahaaminen synnyttää pölyä (esimerkiksi kuivaa puuta sahattaessa).

## Sähköiskuilta suojautuminen

-  ..... Ketjusahaa ei saa käyttää sateella tai kosteassa ympäristössä, koska sähkömoottorissa ei ole vesieristystä.

1. Liitä saha vain luotettavaan sähköpiiriin kytkettyyn maadoitettuun pistokkeeseen. Varmista, että verkkovirran jännite vastaa arvokilven jännitettä. Lisäksi tarvitaan 16 ampeerin linjasulake. Ulkoilmassa käytettävät sahat on kytkettävä vikavirtakatkaisimeen, jonka laukaisuvirta saa olla enintään 30 mA.

-  ..... Jos liitosjohto vaurioituu, irrota se heti verkkopistokkeesta.

## Turvallinen työskentely

### 1. Ennen työn aloittamista tarkista, että ketjusaha on toimintakunnossa ja turvamaäräysten mukainen.

#### Varmista erikseen, että

- ketjujarru toimii moitteettomasti
- pysäytysjarru toimii moitteettomasti
- terälevy ja hammaspyörän kotelo ovat paikoillaan
- ketju on teroitettu ja kiristetty ohjeiden mukaan
- verkkojohto ja -pistoke ovat ehjiä.

Katso lisätietoja kohdasta "TARKISTUKSET".

2. Varmista aina erityisesti, että mahdollisen jatkojohdon poikkipinta-ala on riittävä (ks. "TEKNISET TIEDOT"). Jos käytät kaapelikelaa, vedä johto kokonaan kelalta. Kun käytät sahaa ulkona, varmista, että virtajohto on tarkoitettu ja hyväksytty ulkokäyttöön.
3. Älä käytä sahaa herkästi syttyvän pölyn ja kaasujen läheisyydessä, koska moottori voi kipinöidessään aiheuttaa räjähdysvaaran.
4. Työskentele vain tukevalla maalla, joka tarjoaa varman jalansijan. Kiinnitä erityistä huomiota työskentelyalueella oleviin esteisiin (esimerkiksi virtajohtoon). Ole erityisen varovainen paikoissa, joissa kosteus, jää, lumi, tuore katkaistu puu tai kaarna voi tehdä pinnat liukkaiksi. Älä käytä sahaa seisossasi tikapuilla tai puussa.
5. Ole erityisen varovainen, kun työskentelet viettävällä maalla: pyörivät rungot ja oksat voivat aiheuttaa vaaratilanteita.
6. Älä koskaan sahaa korkeammalta kuin hartioiden tasalta. **(kuva 1)**
7. Pidä sahaa molemmiin käsiin, kun käynnistät sen ja käytät sitä. Tartu takakahvaan oikealla kädellä ja etukahvaan vasemmalla. Pidä kahvoista lujasti sormilla ja peukaloilla. Terälevy ja ketju eivät saa olla kosketuksissa mihinkään silloin, kun saha käynnistetään.
8. Poista sahausalueelta vieraat esineet ja epäpuhtaudet, kuten hiekka, kivet, naulat, rautalanka jne. Vieraat esineet voivat vahingoittaa terälevyä ja -ketjua ja aiheuttaa vaarallisen takapotkun.
9. Ole erityisen varovainen, kun sahaat piikkilanka-aitojen lähellä. Älä sahaa aita, ettei saha potkaise.
10. Älä päästää terää maahan sahatessa.
11. Katkaise puut yksittäin, älä nipuissa tai pinoissa.
12. Älä katkaise sahalla ohuita oksia tai juuria, koska ne voivat sotkeutua sahaan. Tasapainon menettäminen aiheuttaa vaaratilanteen.
13. Käytä turvallista tukea (pukkia), kun sahaat sahatavaraa.
14. Älä siirrä sahan avulla syrjään **puun kappaleita tai muita esineitä**.
15. Ohjaa sahaa niin, että mikään osa kehosta ei ole linjassa **sahan liikeradan kanssa**. **(kuva 2)**
16. Kun siirryt sahausken aikana paikasta toiseen, kytke ketjujarru, jotta saha ei pääse käynnistymään vahingossa. Kanna sahaa etukahvasta äläkä pidä sormeja käynnistyskytkimellä. Irrota saha verkosta taukojen ajaksi ja kun jätät sahan vartioimatta. Jätä saha sellaiseen paikkaan, ettei se voi aiheuttaa vaaraa.

17. Irrota saha verkosta taukojen ajaksi ja kun jätät sahan vartioimatta. Jätä saha sellaiseen paikkaan, ettei se voi aiheuttaa vaaraa.

## Takapotku

1. Ketjusaha voi käytössä aiheuttaa vaarallisen takapotku. Takapotku syntyy, kun terälevyn kärki (varsinkin sen yläneljännes) osuu puuhun tai muuhun kiinteään esteeseen. Tällöin saha ponnahtaa käyttäjää kohti. **(kuva 3)**
2. Takapotku voidaan välttää noudattamalla seuraavia ohjeita:
  - Älä koskaan aloita sahausta terälevyn kärjellä.
  - Älä koskaan käytä terälevyn kärkeä sahausken. Ole erityisen varovainen, kun jatkat sahaamista aiemmin aloittamastasi kohdasta.
  - Aloita sahaaminen niin, että ketju pyörii valmiiksi.
  - Teroita ketju aina ohjeiden mukaan. Varsinkin syvyydensäätohampaiden korkeus on oltava oikea (ks. "Ketjun teroitus").
  - Älä koskaan sahaa useampaa oksaa samalla kertaa.
  - Varmista karsiessa, että terälevy ei osu muihin oksiiin.
  - Runkoja sahatessa pysyttele loitolla viereisistä rungoista. Varo aina terälevyn päätä.
  - Käytä pukkia.

## Turvalaitteet

1. Varmista aina ennen työskentelyn aloittamista, että turvalaitteet ovat toimintakunnossa. Älä käytä sahaa, jos turvalaitteet eivät toimi moitteettomasti.
- **Ketjujarru:**  
Sahassa on ketjujarru, joka pysäyttää ketjun sekunnin murto-osassa. Jarru kytketty päälle, kun heittosuojus työntyy eteen. Tällöin saha pysähtyy 0,15 sekunnissa, ja virransyöttö moottoriin katkeaa.
  - **Pysäytysjarru: (kuva 4)**  
Ketjusahassa on pysäytysjarru, joka pysäyttää sahan heti, kun virtakytin vapautetaan. Tällöin saha ei pääse pyörimään pysäytyksen jälkeen ja aiheuttamaan vaaratilanteita.
    - **Etu- jatakahvojen suojuukset** suojaavat käyttäjää taaksepäin mahdollisesti sinkoilevilta puunsäleiltä ja katkenneelta ketjulta.
    - Lukituspainike estää sahan tahattoman käynnistämisen.
    - **Ketjusieppo** suojaa käyttäjää vammoilta, jos ketju hyppää pois paikoiltaan tai katkeaa.

## Kuljetus ja säilytys



..... Irrota saha verkkopistokkeesta ja aseta terälevyn suojuus paikoilleen säilytystä ja kuljetusta varten. Älä koskaan kannata tai kuljeta sahaa, kun se on käynnissä.

1. Kanna sahaa vain etukahvasta niin, että terälevy osoittaa taaksepäin.



2. Säilytä sahaa turvallisessa, kuivassa ja lukittavassa paikassa pois lasten ulottuvilta. Älä säilytä sahaa ulkona.

## Huolto

1. Irrota saha verkkopistokkeesta ennen kuin teet mitään säätöjä tai huoltotöitä.
2. Tarkista virtajohdon eristeen kunto säännöllisesti.
3. Puhdista saha säännöllisesti.
4. Korjauta sahan muovikotelon vauriot välittömästi ja asianmukaisesti.
5. Älä käytä sahaa, jos liipaisinkytkin ei toimi moitteettomasti. Korjauta se asianmukaisesti.
6. Ketjusahaan ei saa missään tapauksessa tehdä mitään muutoksia. Ne vaarantavat oman turvallisuutesi.
7. Älä koskaan tee muita kuin tässä ohjeessa kuvattuja huolto- tai korjaustöitä. Muut työt on teetettävä Makita-huollossa.
8. Käytä vain alkuperäisiä, kyseiseen malliin tarkoitettuja Makita-varaosia ja lisävarusteita. Muiden osien käyttö lisää onnettomuusriskiä.
9. MAKITA ei vastaa onnettomuuksista tai vaurioista, jotka johtuvat muiden kuin hyväksytyjen terälevyjen, ketjujen tai muiden varaosien tai lisävarusteiden käytöstä. Hyväksytyt terälevyt ja ketjut on ilmoitettu kohdassa "Ote varaosaluettelosta".

## Ensiapu



..... Älä työskentele yksin. Varmista aina, että kuuloetäisyydellä on muita ihmisiä.

1. Pidä ensiapulaukku aina mukana. Täydennä ensiapulaukun varusteita sitä mukaa kuin niitä kuluu.
2. Jos joudut onnettomuustilanteessa kutsumaan apua, ilmoita seuraavat tiedot:
  - missä onnettomuus on tapahtunut
  - mitä on tapahtunut
  - montako ihmistä on loukkaantunut
  - mitä vammoja heillä on
  - kuka ilmoittaa onnettomuudesta?

### HUOMAUTUS:

Voimakas tärinä voi aiheuttaa heikosta verenkierrosta kärsiville ihmisille verisuoni- tai hermostovammoja.

Tärinä voi aiheuttaa seuraavia oireita sormissa, käsissä tai ranteissa: tunnottomuutta, pistelevää kipua, pistoksia, ihonvärin tai ihon muutoksia.

**Jos tällaisia oireita esiintyy, hakeudu lääkärin hoitoon!**

## SÄILYÄ NÄMÄ OHJEET

## TOIMINTAKUVAUS

### HUOMAUTUS:

- Varmista aina ennen säätöjä tai tarkastuksia, että laite on sammutettu ja irrotettu verkosta.

## Kytkimen toiminta (kuva 5)

### HUOMAUTUS:

- Tarkista aina ennen työkalun liittämistä virtalähteeseen, että liipaisinkytkin kytkeytyy oikein ja palaa asentoon OFF, kun se vapautetaan.

Laitteessa on lukituksen vapautuspainike, joka estää liipaisinkytkimen painamisen vahingossa.

Käynnistä saha painamalla vapautuspainike sisään ja painamalla liipaisinkytkintä.

Laite pysäytetään vapauttamalla liipaisinkytkin.

## KOKOONPANO

### HUOMAUTUS:

- Varmista aina, että laite on sammutettu ja kytketty irti virtalähteestä ennen kuin teet sille mitään.

## Ketjun kiinnitys ja irrotus

### HUOMAUTUS:

- Varmista aina ennen ketjun kiinnitystä tai irrotusta, että laite on sammutettu ja kytketty irti verkosta.
- Käytä aina suojakäsineitä, kun kiinnität tai irrotat ketjua.

1. Nosta vipu pystyasentoon ketjun irrotusta varten. **(kuva 6)**

2. Paina vipua alaspäin ja löysää mutteria kääntämällä vipua samalla vastapäivään, kunnes hammaspyörän kotelo irtoaa. (Vipu työntyy painettaessa mutteriin.)

3. Vapauta ketjunkiristin kääntämällä säätölevyä vastapäivään.

4. Irrota hammaspyörän kotelo.

5. Irrota ketju ja terälevy sahasta.

6. Ketju asennetaan asettamalla ketjun toinen pää terälevyn päälle ja toinen pää hammaspyörälle. **(kuva 7)**

Esimerkitapauksessa ketju kiinnitetään kuvan mukaan, koska ketju pyörii nuolen osoittamaan suuntaan.

7. Aseta terälevy paikoilleen sahahan.

8. Siirrä säätötappia nuolen suuntaan kiertämällä säätölevyä vastapäivään. **(kuva 8)**

9. Aseta hammaspyörän kotelo sahahan niin, että kotelon takaosassa oleva koukku menee sahassa olevaan reikään ja säätötappi osuu terälevyn pieneen aukkoon. **(kuva 9)**

10. Paina vipua ja kiristä mutteri kiertämällä vipua samalla myötäpäivään. Löysää lopuksi ruuvia hieman kiertämällä sitä yksi neljäsosakierros vastapäivään. **(kuva 10)**

## Ketjun kireyden säätö

Ketju voi löystyä usean tunnin käytön jälkeen. Tarkista ketjun kireys ennen käyttöä.

Käännä vipu pystyasentoon. **(kuva 11)**

Paina vipua alaspäin. Kun vipu on alas painettuna, löysää mutteria hieman kääntämällä vipua yksi neljäsosakierros vastapäivään. (Vipu työntyy painettaessa mutteriin.)

**(kuva 12)**

Vapauta ketjunkiristin kääntämällä säätölevyä. Tartu ketjuun terälevyn keskikohdalta ja nosta ylöspäin. Terälevyn ja ketjun nivelten välisen etäisyyden pitäisi olla noin 2 - 4 mm. Jos näin ei ole, käännä terälevyn säätölevyä hieman. Tässä esimerkkitapauksessa säätö tehdään nostamalla terälevyn kärkeä hieman ylöspäin. **(kuva 13)**

Kun vipu on alas painettuna, kiristä mutteri tiukalle kääntämällä vipua myötäpäivään niin pitkälle kuin se menee. **(kuva 14)**

Käännä vipu alkuperäiseen asentoon. **(kuva 15)**

#### **HUOMAUTUS:**

- Jos ketju on liian kireällä, se voi katketa, kuluttaa terää ja rikkoo saatölevyn.
- Ketjun kiinnitys ja irrotus on syytä tehdä puhtaassa ympäristössä, jossa ei ole sahanpurua tai vastaavaa.

## **KÄYTTÖ**

### **Voitelu**

#### **HUOMAUTUS:**

- Varmista aina ennen ketjun voitelua, että laite on sammutettu ja kytketty irti verkosta.

Käytä ketjun ja terälevyn voiteluun biologisesti hajoavaa ketjuöljyä, joka sisältää liima-ainetta. Öljyn liima-aine estää öljyä lentämästä ketjusta keskipakoisvoiman vaikutuksesta liian nopeasti. Mineraaliöljyjä ei pidä käyttää niiden ympäristöhaittojen vuoksi. **(kuva 16)**

#### **HUOMAUTUS:**

- Varo, ettei öljyä pääse iholle tai silmiin. Öljy ärsyttää silmiä. Jos öljyä joutuu silmiin, huuhtelee ne heti puhtaalla vedellä ja ota yhteys lääkäriin.
- Älä koskaan käytä voiteluun jätööljyä. Se sisältää syöpää aiheuttavia aineita. Jätööljyn epäpuhtaudet kuluttavat öljypumppua, terälevyä ja ketjua nopeasti. Jätööljy on ympäristölle haitallista.
- Kun täytät sahan öljysäiliötä ensimmäistä kertaa tai kun lisäät öljyä täysin tyhjenneeseen säiliöön, lisää öljyä täyttökaulan alareunaan asti. Muutoin öljyn syötössä voi esiintyä häiriöitä.

Puhdista öljysäiliön tulpan ympäristö huolellisesti, jotta säiliöön ei pääse likaa. **(kuva 17)**

Kierrä öljysäiliön tulppa auki ja lisää öljyä täyttökaulan alareunaan asti.

Kierrä säiliön tulppa tiukasti kiinni.

Pyyhi mahdolliset öljyroiskeet huolellisesti.

Kun sahaa käytetään ensimmäistä kertaa, voi kestää jopa kaksi minuuttia ennen kuin ketjuöljy alkaa voidella sahan mekaanisia osia kunnolla. Käytä sahaa ilman kuormaa, kunnes voitelu alkaa toimia (ks. "TARKISTUKSET").

Öljysäiliön tilavuus (200 ml) riittää käytössä noin 30 minuutiksi.

## **TARKISTUKSET**

Ennen työn aloittamista tee seuraavat tarkistukset:

### **Ketjun kireyden tarkistus (kuva 18)**

#### **VAROITUS:**

- Aina ennen ketjun kireyden tarkistamista irrota virtajohto verkkopistokkeesta, ja käytä suojakäsineitä.

Ketju on sopivan kireällä, kun se koskettaa terälevyn alareunaa ja sitä voidaan nostaa kevyesti sormin 2 - 4 mm.

Tarkista ketjun kireys säännöllisesti, koska uusilla ketjuilla on taipumus venyä. Jos ketju on liian löysällä, se voi hypätä pois terälaiipasta ja aiheuttaa siten vaaratilanteen. Jos ketju on löysällä: lue kohta "Ketjun kireyden säätö" ja kiristä ketju uudelleen.

### **Käynnistyskytkimen toiminnan tarkistus**

#### **HUOMAUTUS:**

Irrota laitteen virtajohto aina verkosta ennen liipaisinkytkimen toimintakoetta. Kytöimen lukitseminen ON-asentoon on estetty. Liipaisinkytkin ei saa painua sisään ennen kuin lukituksen vapautuspainiketta on ensin painettu.

Liipaisinkytkin ei saa juuttua päällä-asentoon.

Liipaisinkytkimen täytyy vapautettaessa automaattisesti palata OFF-asentoon ja lukituksen vapautuspainikkeen täytyy palata lähtöasentoonsa. **(kuva 19)**

### **Ketjujarrun toiminnan tarkistus**

#### **HUOMAUTUS:**

- Jos saha ei käynnisty, ketjujarru on ensin vapautettava. Vedä heittosuojusta taaksepäin, kunnes tunnet sen ottavan.

Pidä sahaa molemmin käsin, kun käynnistät sen. Tartu takakahvaan oikealla kädellä ja etukahvaan vasemmalla. Terälevy ja ketju eivät saa koskettaa mihinkään.

Paina ensin lukituksen vapautuspainiketta ja sitten liipaisinkytkintä. Saha käynnistyy heti.

Paina heittosuojusta eteenpäin kämmenselällä. Sahan pitäisi pysähtyä heti. **(kuva 20)**

#### **HUOMAUTUS:**

- Jos saha ei testatessa heti pysähdy, sitä ei saa missään tapauksessa käyttää. Ota yhteyttä MAKITAN valtuutettuun huoltoiliikkeeseen.

### **Pysäytysjarru:**

Käynnistä saha uudelleen.

Vapauta liipaisinkytkin täysin. Sahan pitäisi pysähtyä yhdessä sekunnissa.

#### **HUOMAUTUS:**

- Jos saha ei testattaessa pysähdy sekunnissa, sitä ei saa käyttää. Ota yhteyttä MAKITAN valtuutettuun huoltoiliikkeeseen.

### **Ketjun voitelulaitteen tarkistus (kuva 21)**

Ennen työn aloittamista tarkista öljysäiliön pinnan taso voitelun toimivuus.

Öljynpinnan taso tarkistetaan kuvan osoittamasta tarkistuslasista.

Tarkista voitelu seuraavasti:

Käynnistä saha.

Sahan pyöriessä pidä ketju noin 15 cm:n etäisyydellä puunrungosta tai maasta. Voitelu toimii riittävän tehokkaasti, jos ketjusta jää hieno öljyvana. Ota huomioon tuulen suunta, ettei jää suotta öljyisuhkun tielle.

#### **HUOMAUTUS:**

- Jos öljyn jättämää vanaa näy, älä käytä sahaa. Muutoin ketjun käyttökäikä lyhenee. Tarkista öljynpinnan taso. Puhdistu öljyn syöttöura ja terässä oleva öljyn syöttöaukko (ks. "HUOLTO").

## **SAHAAMINEN**

### **Katkaisu**

Katkaisua varten aseta kuvan osoittama hammastettu kisko katkaistavan puun päälle. **(kuva 22)**

Kun ketju pyörii, ala sahata puuta niin, että nostat sahaa takakahvasta ja ohjaat etukahvasta. Käytä hammastettua kiskoa tukipisteenä.

Jatka sahaamista lisäämällä hieman painetta etukahvaan ja kääntämällä sahanaan hieman taakse. Siirrä hammastettua kiskoa alemmas puun pinnalla ja nosta etukahvaa uudelleen.

Jos katkaiset puun useammasta kohtaa, sammuta saha katkaisukohtien välillä.

#### **HUOMAUTUS:**

- Jos terälevyn yläreunaa käytetään katkaisuun, saha voi ponnahtaa käyttäjää kohti, jos se juuttuu. Käytä siksi katkaisuun terälevyn alareunaa, jolloin saha vetää aina käyttäjästä pois päin. **(kuva 23)**

Sahaa jännityksen alaista puuta ensin siitä puolelta, johon puristus kohdistuu (A). Tee sitten lopullinen katkos vetojännityksen alaiselle puolelle (B). Näin terälevy ei juutu kiinni. **(kuva 24)**

## **Karsinta**

#### **HUOMAUTUS:**

- Oksien karsintaa saa tehdä vain käyttökoulutuksen saanut henkilö. Vaarana on sahan takapotku.

Oksia karsittaessa saha on mahdollisuuksien mukaan tuettava runkoon. Älä käytä terälevyn kärkeä, ettei saha pääse potkaisemaan.

Kiinnitä erityistä huomiota jännityksen alaisiin oksiiin. Älä katkaise ilman tukea olevia oksia alapuolelta.

Älä seison kaadetun rungon päällä oksia karsiesiäsi.

### **Koloaminen ja synn suuntainen sahaus**

#### **HUOMAUTUS:**

- Synn suuntaista sahausta saavat tehdä vain asianmukaisen koulutuksen saaneet henkilöt. Takapotkun mahdollisuus aiheuttaa loukkaantumisvaaran.

Tee synn suuntainen sahaus mahdollisimman loivassa kulmassa. Sahaa mahdollisimman varovasti, koska hammastettua kiskoa ei voi käyttää apuna. **(kuva 25)**

### **Puiden kaato**

#### **HUOMAUTUS:**

- Puita saa kaataa vain asianmukaisen käyttökoulutuksen saanut henkilö. Työ on vaarallista.

Jos haluat kaataa puun, noudata paikallisia määräyksiä. **(kuva 26)**

- Ennen työn aloittamista, varmista, että
  - (1) lähistöllä ei ole muita kuin kaatoon osallistuvia henkilöitä
  - (2) jokaisella työhön osallistuvalla on esteetön poistumisreitti noin 45 asteen sektorissa kaadettava puun pituusakselin kummallakin puolella. Ota huomioon sähköjohtoihin kompastumisen vaara
  - (3) rungon tyvessä ei ole vieraita esineitä, juuria tai oksia
  - (4) ketään ihmisiä tai mitään esineitä ei ole 2,5 rungonmitan päässä puun kaatumissuunnassa.
- Ota jokaisen puun kohdalla huomioon seuraavat seikat:
  - kallistumissuunta
  - irtotaimet tai kuivat oksat
  - puun korkeus
  - luonnonmukainen ylitys
  - onko puu laho.
- Ota huomioon tuulen voimakkuus ja suunta. Älä kaada puuta, jos tuuli on puuskaista.
- Juurten katkominen: Aloita isoimmista juurista. Tee ensi pysty- ja sitten vaakasaha. **(kuva 27)**
- Kaatoloven sahaaminen: Lovi määrää ja ohjaa, mihin suuntaan puu kaatuu. Lovi tehdä sille puolelle, johon puu on määrä kaatua. Sahaa kaatolovi mahdollisimman lähelle maan pintaa. Tee ensin vaakasaha, jonka syvyys vastaa 1/5 - 1/3 rungon halkaisijasta. Älä tee lovesta liian suurta. Tee sitten vino yläsahaus.
- Tee mahdolliset korjaukset loveen sen koko leveydeltä. **(kuva 28)**
- Sahaa rungon vastakkaiselle puolelle tehtävä sahaus vähän kaatoloven alapintaa ylemmäksi. Vastapuolen sahaus taitytty olla täysin vaakasuora. Jätä vastapuolen viilloksen ja loven väliin pitopuuta noin 1/10 puun halkaisijasta. Ehjäksi jätetty pitopuu toimii saranana. Älä koskaan katkaise runkoa kokonaan, koska silloin sen kaatumista ei voi kontrolloida. Aseta kiilat loveen ajoissa.
- Loven auki pitämiseksi saa käyttää vain muovi- tai alumiinikiiloja. Rautakiilojen käyttö on kielletty.
- Asetu kaatuvan puun sivulle. Huolehdi siitä, että kaatuvan puun taakse jää sen pituusakselin kummallekin puolelle 45 asteen esteetön sektori (ks. kaatoaluetta kuvaava piirros). Varo oksia.

## **HUOLTO**

#### **HUOMAUTUS:**

- Varmista aina ennen tarkastuksia tai huoltotoimia, että laite on sammutettu ja kytketty irti virtalähteestä.
- Käytä aina suojakäsineitä, kun tarkastat laitetta tai teet huoltotoimia.

Tee seuraavassa kuvatut huoltotoimenpiteet säännöllisesti. Takuu on voimassa vain, jos nämä toimenpiteet on tehty säännöllisesti ja oikein.

Käyttäjä saa tehdä vain tässä ohjeessa kuvatut huoltotoimet. Muut työt on teetettävä Makita-huollossa.

## Sahan puhdistus

Puhdista saha säännöllisesti puhtaalla rievulla. Varsinkin kahvat on puhdistettava öljystä.

## Muovikotelon tarkistus

Tee kotelon kaikille osille säännöllisesti silmämääräinen tarkastus. Jos jokin osa on vaurioitunut, korjauta se heti MAKITAN valtuutetussa huoltokorjaamossa.

## Ketjun teroitus

### HUOMAUTUS:

- Irrota virtajohto aina verkosta ja käytä suojakäsineitä, kun teet sahalle jotakin. **(kuva 29)**

### Teroita ketju, kun

- kosteaa puuta sahatessa syntyy jauhomaista sahajauhoa
- ketju tunkeutuu puuhun heikosti, vaikka sahaa painettaisiin voimakkaasti
- leikkuureuna on selvästi vaurioitunut
- sahaa vetää puussa vasemmalle tai oikealle. Tähänä on synnä ketjun epätasainen teroitus tai toisen puolen vaurioituminen.

### Teroita ketju säännöllisesti, mutta poista vain vähän materiaalia kerrallaan.

Kaksi tai kolme viilan vetoa tavallisesti riittää tavanomaisessa teroituksessa.

Kun olet teroittanut ketjun useaan kertaan, teroituta se MAKITAN valtuutetussa huoltokorjaamossa.

### Teroituskriteerit:

- Kaikkien hampaiden täytyy olla yhtä pitkiä (mitta a) Eripituiset hampaat estävät ketjua pyörimästä tasaisesti ja voivat aiheuttaa ketjun katkeamisen.
- Älä teroita ketjua sen jälkeen, kun hampaiden 3 millimetrin minimipituus on saavutettu. Tällöin ketju on vaihdettava uuteen.
- Lastun paksuuden määrä syyvyydensäätöhampaan ja leikkuureunan välinen etäisyys. Paras sahaustulos saadaan, kun leikkuuterän ja syyvyydensäätöhampaan välinen etäisyys on 0,5 mm. **(kuva 30)**

### VAROITUS:

- Liian suuri etäisyys lisää takapotkun vaaraa.
- Kaikkien hampaiden teroituskulman täytyy olla 30 astetta. Kulmapoikkeamat saavat ketjun pyörimään epätasaisesti, lisäävät kulmista ja aiheuttavat ketjujen katkeamista.
- Hampaan sivulevyn 80 asteen kulman määrä pyöreän viilan tunkeumasyyvyys. Jos valmistajan viilaa käytetään oikein, sivulevyn oikea kulma syntyy automaattisesti. **(kuva 31)**

### Viila ja viilanojain (kuvat 32 - 34)

- Käytä teräketjun teroitukseen pyöreää erikoisviilaa (lisävaruste), jonka halkaisija on 4,5 mm. Tavanomaiset pyöreät viilat eivät sovi tähän tarkoitukseen.

- Viila saa ottaa materiaaliin vain eteenpäin suuntautuvalla vedolla. Nosta viila irti materiaalista paluuvedolla.
- Teroita lyhyin leikkuuhampas ensimmäiseksi. Tämän hampaan pituutta käytetään sitten teräketjun muiden hampaiden mittana.
- Ohjaa viilaa kuvan osoittamalla tavalla. Viilan ohjaaminen helpottuu, jos käytetään viilaohjainta (lisävaruste).
- Oikea 30 asteen teroituskulma on merkitty viilaohjaimen (kohdista merkinnät niin, että ne ovat yhdensuuntaisia teräketjun kanssa). Ohjain rajoittaa myös tunkeumasyyvyyden oikeaksi (4/5 viilan halkaisijasta).
- Teroituksen jälkeen tarkista syyvyydensäätöhampaan korkeus ketjunmittaustyökälulla (lisävaruste).
- Poista kaikki, myös aivan vähäinen ulkoneva aines erikoislattaviilalla (lisävaruste).
- Pyöristä syyvyydensäätöhampaan etuosa uudelleen.

## Terälevyn puhdistus ja hammaspyörän voitelu

### HUOMAUTUS:

- Käytä tässä työssä aina suojakäsineitä. Purseet voivat aiheuttaa vammoja. **(kuva 35)**

Tarkista terälevyn liukupintojen kunto säännöllisesti. Puhdista pinnat sopivalla työkalulla ja poista purseet tarvittaessa.

Jos sahaa käytetään paljon, voitele hammaspyörän laakeri ainakin kerran viikossa. Ennen kuin lisäät rasvaa, puhdista terälevyn päässä oleva 2 mm:n aukko huolellisesti ja purista sitten pieni määrä monikäyttöärasvaa (lisävaruste) aukkoon.

## Öljynohjaimen puhdistus (kuva 36)

- Puhdista öljyn syöttöura ja terässä oleva öljyn syöttöaukko säännöllisesti.

## Öljyn syöttöaukon suodattimen puhdistus

Öljyn syöttöaukon suodattimeen voi käytön aikana kerääntyä pölyä ja muita pienhiukkasia.

Ne voivat heikentää öljyn syöttövirtausta ja koko sahan voitelua.

Jos ketjuöljyn syöttö terälevyn yläosaan ei toimi kunnolla, puhdista suodatin seuraavasti.

Irrota saha verkosta.

Irrota hammaspyörän suojus ja ketju. (Ks. Ketjun kiinnitys ja irrotus.)

Avaa painomutteri pitkällä, ohuella varrella varustetulla tähtipääruuvitalalla tai vastaavalla. **(kuva 37)**

Irrota suodatin sahasta ja puhdista se pölystä ja epäpuhtauksista.

Jos suodatin on täysin likaantunut, vaihda se uuteen.

Kytke saha verkkoon. **(kuva 38)**

Käynnistä ketjunvoitelu painamalla liipaisinkytkintä, jolloin öljy huuhtoo syöttöaukkoon kertyneet epäpuhtaudet.

Irrota saha verkosta. **(kuva 39)**

Kiinnitä puhdistettu öljyn syöttöaukon suodatin takaisin paikoilleen. Jos suodatin on täysin likaantunut, vaihda se uuteen. **(kuva 40)**

Aseta painomutteri oikea puoli ylöspäin öljyn syöttöaukkoon kuvan osoittamalla tavalla. Jos mutteri on viallinen niin, ettei sitä saa paikoilleen, vaihda mutteri.

Kiinnitä hammaspyörän suojus ja ketju takaisin paikoilleen. **(kuva 41)**

## Uudet teräketjut

Käytä kahta tai kolmea teräketjua vuorotellen, jotta teräketju, hammaspyörä ja terälevyn liukupinnat kuluvat tasaisesti.

Käännä terälevy toisin päin ketjunvaihdon yhteydessä, jotta terän ura kuluu tasaisesti.

### HUOMAUTUS:

- Käytä vain tähän ketjusahamalliin tarkoitettuja ketjuja ja terälevyjä (ks. "TEKNISET TIEDOT"). **(kuva 42)**

Ennen uuden ketjun kiinnitystä tarkista hammaspyörän kunto.

### HUOMAUTUS:

- Kulunut hammaspyörä vahingoittaa uutta ketjua. Vaihda kulunut hammaspyörä.

Vaihda myös lukitusrenkas hammaspyörän vaihdon yhteydessä.

## Ketju- ja pysäytysjarrun huolto

Jarrujärjestelmät ovat erittäin tärkeitä turvallisuuden kannalta. Ne kuluvat jonkin verran käytössä, kuten muutkin ketjusahan osat. Jarrut on tarkistutettava MAKINTAn valtuutetussa huoltokorjaamossa. Näin voit varmistaa oman turvallisuutesi.

## Ketjusahan säilytys

Biologisesti hajoava ketjuöljy säilyy käyttökelpoisena vain tietyn rajoitetun ajan.

Yli kaksi vuotta vanhat bioöljyt alkavat muuttua liimamaisiksi ja vahingoittavat öljypumppua ja voitelujärjestelmän komponentteja.

- Ennen pitkäaikaista varastointia tyhjennä öljysäiliö ja lisää siihen pieni määrä moottoriöljyä (SAE 30).
- Käytä sahaa hetken aikaa, jotta säiliöön jäänyt bioöljy huuhtoutuu pois säiliöstä, voitelujärjestelmästä ja sahan mekaanisista osista.

**Kun sahan käyttö lopetetaan, siitä vuotaa jonkin aikaa pieniä määriä ketjuöljyä. Tämä on normaalia eikä merkki minkäänlaisesta viasta.**

Aseta saha sopivalle säilytysalustalle.

Ennen kuin otat sahan uudelleen käyttöön, täytä öljysäiliö tuoreella BIOTOP-ketjuöljyllä.

Tuotteen TURVALLISUUDEN ja LUOTETTAVUUDEN takaamiseksi korjaukset, muut huoltotyöt ja säädöt on teetettävä Makitan valtuutetussa huoltopisteessä Makitan varaosia käyttäen.

# LISÄVARUSTEET

## HUOMAUTUS:

- Seuraavia lisävarusteita tai laitteita suositellaan käytettäväksi tässä ohjeessa kuvatun Makita-työkalun kanssa. Muiden lisävarusteiden tai laitteiden käyttö voi aiheuttaa vammautumisriskin. Käytä lisävarustetta tai laitetta vain ilmoitettuun käyttötarkoitukseen.

Jos tarvitset lisätietoja näistä lisävarusteista, ota yhteys paikalliseen Makita-huoltopisteeseen.

- Teräketju
- Terälevyn suojus
- Terälevy kokonaisena
- Ketjumitta
- Pyöreä viila 4,5 mm
- Lattaviila
- Viilanhain ja 4,5 mm viila
- Viilan kahva
- 1 l BIOTOP-ketjuöljyä
- 5 l BIOTOP-ketjuöljyä
- Monikäyttörasva
- Rasvapuristin

## ΕΛΛΗΝΙΚΑ

### Παρεχόμενα εξαρτήματα

- |                                   |   |  |
|-----------------------------------|---|--|
| 1. Πίσω λαβή                      | 6. Οδηγός αλυσίδας  | 11. Πίσω προστατευτικό χεριού              |
| 2. Σκανδάλη-διακόπτης             | 7. Αλυσίδα πριονιού                                       | 12. Οδοντωτή ράγα (αναστολέας με άγκιστρο) |
| 3. Τάπα φίλτρου λαδιού            | 8. Μοχλός   | 13. Κουμπί ασφάλισης                       |
| 4. Μπροστινή λαβή                 | 9. Κάλυμμα οδοντωτού τροχού                               | 14. Συγκρατήρας αλυσίδας                   |
| 5. Μπροστινό προστατευτικό χεριού | 10. Διαφανές παραθυράκι για τον έλεγχο της στάθμης λαδιού | 15. Θήκη                                   |

### Περιγραφή γενικής όψης

- |                             |                          |                            |
|-----------------------------|--------------------------|----------------------------|
| 1. Κουμπί ασφάλισης         | 11. Σφίξτε               | 21. Διαφανές παραθυράκι    |
| 2. Σκανδάλη-διακόπτης       | 12. Μοχλός               | 22. Οδοντωτή ράγα          |
| 3. Πιέστε προς τα μέσα      | 13. Χαμηλά               | 23. Περιοχή ρίψης δέντρων  |
| 4. Ξεσφίξτε                 | 14. Υψηλά                | 24. Εγκοπή οδηγού λαδιού   |
| 5. Κάλυμμα οδοντωτού τροχού | 15. Οδηγός αλυσίδας      | 25. Οπή τροφοδοσίας λαδιού |
| 6. Επιλογέας ρύθμισης       | 16. Αλυσίδα πριονιού     | 26. Παξιμάδι               |
| 7. Περόνη ρύθμισης          | 17. Τάπα πλήρωσης λαδιού | 27. Πλακέ κατασιβίδι       |
| 8. Γάντζος                  | 18. Προστατευτικό χεριού | 28. Φίλτρο                 |
| 9. Οπή                      | 19. Κλείδωμα             | 29. Οδοντωτός τροχός       |
| 10. Μικρή οπή               | 20. Ξεκλείδωμα           |                            |

## ΤΕΧΝΙΚΑ ΧΑΡΑΚΤΗΡΙΣΤΙΚΑ

Μοντέλο		UC3020A	UC3520A	UC4020A
Μέγιστη ταχύτητα αλυσίδας (m/s)		13,3		
Μήκος κοπής		300 mm	350 mm	400 mm
Αλυσίδα πριονιού	Τύπος	90SG		
	Βήμα αλυσίδας	3/8"		
Επίπεδο ηχητικής ισχύος L <sub>WA</sub> αν dB (A) σύμφωνα με EN 50144 -1 <sup>1)</sup>		105,3		
Επίπεδο ηχητικής ισχύος L <sub>pA</sub> αν dB (A) στο χώρο εργασίας σύμφωνα με EN 50144 -1 <sup>1)</sup>		92,3		
Επιτάχυνση κραδασμών a <sub>h,w</sub> αν σύμφωνα με ISO 50144-2-13 <sup>1)</sup> - Μπροστινή λαβή m/s <sup>2</sup>		3,4		3,9
- Πίσω λαβή m/s <sup>2</sup>		4,0		4,5
Αντλία λαδιού		Αυτόματη		
Χωρητικότητα δοχείου λαδιού (l)		0,20		
Μετάδοση ισχύος		Απευθείας		
Άμεσο φρένο αλυσίδας		Χειροκίνητο		
Διάταξη διακοπής εργαλείου		Μηχανική		
Ολικό μήκος (χωρίς οδηγό αλυσίδας)		436 mm		
Καθαρό βάρος		3,8 kg		
Καλώδιο επέκτασης (μπαλαντέζα) (προαιρετικό)		DIN 57282/HO 7RN -F L = 30 m το μέγιστο, 3 x 1,5 mm <sup>2</sup>		

1) Τα δεδομένα εκχωρούν ίσο βάρος σε συνθήκες λειτουργίας πλήρους φορτίου και μέγιστης ταχύτητας.

- Λόγω του συνεχόμενου προγράμματος που εφαρμόζουμε για έρευνα και ανάπτυξη, τα τεχνικά χαρακτηριστικά στο παρόν έντυπο υπόκεινται σε αλλαγή χωρίς προειδοποίηση.
- Παρατήρηση: Τα τεχνικά χαρακτηριστικά μπορεί να διαφέρουν από χώρα σε χώρα.












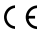

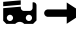



### Σύμβολα

Παρακάτω παρουσιάζονται τα σύμβολα που χρησιμοποιούνται για το εργαλείο. Βεβαιωθείτε ότι κατανοείτε τη σημασία τους πριν από τη χρήση.

END218-1



..... Διαβάστε το εγχειρίδιο οδηγιών και ακολουθήστε τις προειδοποιήσεις και τις οδηγίες ασφάλειας.

-  ..... ΔΙΠΛΗ ΜΟΝΩΣΗ
-  ..... Προσοχή: Απαιτείται ιδιαίτερη φροντίδα και προσοχή!
-  ..... Προσοχή: Αν το ηλεκτρικό καλώδιο είναι φθαρμένο, βγάλτε το φικς του ηλεκτρικού καλωδίου από την πρίζα της κεντρικής ηλεκτρικής παροχής!
-  ..... Προσοχή: Κλότσημα!
-  ..... Να προστατεύετε από βροχή και υγρασία!
-  ..... Να φοράτε κράνος ασφαλείας, προστατευτικά γυαλιά και ωτοασπίδες!
-  ..... Να φοράτε προστατευτικά γάντια!
-  ..... Βγάλτε το φικς του ηλεκτρικού καλωδίου από την πρίζα της κεντρικής ηλεκτρικής παροχής!
-  ..... Πρώτες βοήθειες
-   ..... Ανακύκλωση
-  ..... Επισήμανση CE
-  ..... Μέγιστο επιτρεπτό μήκος κοπής
-  ..... Κατεύθυνση της διαδρομής αλυσίδας
-  ..... Λάδι αλυσίδας
-  ..... Απελευθέρωση/Εφαρμογή άμεσου φρένου αλυσίδας
-  ..... Απαγορεύεται!

### Προοριζόμενη χρήση

Το εργαλείο προορίζεται για κοπή ξυλείας και κορμών.

### Παροχή ρεύματος

Το εργαλείο πρέπει να συνδέεται μόνο σε ηλεκτρική παροχή της ίδιας τάσης με αυτήν που αναγράφεται στην πινακίδα ονομαστικών τιμών και μπορεί να λειτουργήσει μόνο με εναλλασσόμενο μονοφασικό ρεύμα. Τα εργαλεία αυτά διαθέτουν διπλή μόνωση που συμμορφώνεται με τα ευρωπαϊκά πρότυπα και συνεπώς μπορούν να συνδεθούν με πρίζες χωρίς γείωση.

### Για δημόσια συστήματα διανομής χαμηλής τάσης μεταξύ 220 V και 250 V.

Η εναλλαγή της λειτουργίας των ηλεκτρικών συσκευών προκαλεί διακυμάνσεις ηλεκτρικής τάσης. Η λειτουργία αυτής της συσκευής κάτω από δυσμενείς συνθήκες κεντρικής ηλεκτρικής παροχής μπορεί να επιδράσει αρνητικά στη λειτουργία άλλου

εξοπλισμού. Όταν η αντίσταση κεντρικού ηλεκτρικού ρεύματος είναι ίση ή μικρότερη από 0,35Ω, μπορεί να θεωρηθεί ότι δεν θα υπάρξουν αρνητικές επιδράσεις. Η πρίζα της κεντρικής ηλεκτρικής παροχής που θα χρησιμοποιηθεί για αυτήν τη συσκευή θα πρέπει να προστατεύεται με τη χρήση ασφάλειας ή προστατευτικού διακόπτη κυκλώματος με χαρακτηριστικά αργής ενεργοποίησης.

## ΠΡΟΣΘΕΤΟΙ ΚΑΝΟΝΕΣ ΑΣΦΑΛΕΙΑΣ

ENB098-1

1. Διαβάστε το εγχειρίδιο οδηγιών για να εξοικειωθείτε με τη λειτουργία του αλυσοπρίονου.
2. Πριν χρησιμοποιήσετε το αλυσοπρίονο για πρώτη φορά, φροντίστε ώστε να εκπαιδευτείτε σε ό,τι αφορά τη λειτουργία του. Αν κάτι τέτοιο δεν είναι δυνατόν, τουλάχιστον εξασκηθείτε κόβοντας στρογγυλή ξυλεία επάνω σε τρίποδο πριν ξεκινήσετε την εργασία.
3. Το αλυσοπρίονο δεν πρέπει να χρησιμοποιείται από παιδιά και νέους κάτω των 18 ετών. Εξαιρούνται από αυτήν την απαγόρευση οι νέοι άνω των 16 ετών που εκπαιδεύονται υπό την επίβλεψη ειδικού.
4. Η εργασία με το αλυσοπρίονο απαιτεί μεγάλο βαθμό συγκέντρωσης. Μην εργάζεστε με το αλυσοπρίονο σε περίπτωση που αισθάνεστε αδυναμία ή δεν αισθάνεστε καλά. Να διεξάγετε κάθε εργασία με ηρεμία και προσοχή.
5. Μην εργάζεστε ποτέ υπό την επίρροια αλκοόλ, ναρκωτικών ουσιών ή φαρμάκων.

### Σωστή χρήση

1. Το αλυσοπρίονο προορίζεται αποκλειστικά και μόνο για κοπή ξύλου. Μη χρησιμοποιείτε το αλυσοπρίονο, παραδείγματος χάριν, για να κόβετε πλαστικό υλικό ή πορώδες τσιμέντο.
2. Να χρησιμοποιείτε το αλυσοπρίονο μόνο για εργασίες που περιγράφονται στο παρόν εγχειρίδιο οδηγιών. Για παράδειγμα, μην το χρησιμοποιείτε για να κλαδεύετε θάμνους ή για παρόμοιους σκοπούς.
3. Δεν θα πρέπει να χρησιμοποιείτε το αλυσοπρίονο για δασοκομικές εργασίες, δηλαδή για ριπή και κλάδεμα δέντρων. Το καλώδιο του αλυσοπρίονου δεν παρέχει στο χειριστή την ευκίνησία και την ασφάλεια που απαιτούνται για τέτοιο είδους εργασίες.
4. Το αλυσοπρίονο δεν προορίζεται για εμπορική χρήση.
5. Μην υπερφορτώνετε το αλυσοπρίονο.

### Προσωπικός προστατευτικός εξοπλισμός

1. Ο ρουχιζομός πρέπει να είναι εφαρμοστός, αλλά να μην εμποδίζει την κίνηση.
2. Να φοράτε τον παρακάτω προστατευτικό ρουχιζομό κατά τη διάρκεια των εργασιών:

- Δοκιμασμένο κράνος ασφαλείας, σε περίπτωση που υπάρχει κίνδυνος από κλαριά που πέφτουν, ή παρόμοιο,
- Προσωπίδα ή προστατευτικά γυαλιά,
- Κατάλληλες ωτοασπίδες (τύπου ακουστικών, συμβατικά ή προσαρμοσίμα ωτοβύσματα). Ανάλυση οκτάβας κατόπιν αίτησης.
- Ανθεκτικά, δερμάτινα προστατευτικά γάντια,
- Μακρύ παντελόνι κατασκευασμένο από ανθεκτικό ύφασμα,
- Προστατευτική φόρμα εργασίας από ύφασμα ανθεκτικό στο σχίσμο,
- Παπούτσια ή μπότες με αντιολισθητικούς πάτους, ατσάλινες μύτες και εσωτερική επένδυση από ύφασμα ανθεκτικό στο σχίσμο,
- Αναπνευστική μάσκα, όταν εκτελείτε εργασίες κατά τις οποίες παράγεται σκόνη (π.χ. πριονίσματα στεγνού ξύλου).

## Προστασία από την πρόκληση ηλεκτροπληξίας



..... Μην χρησιμοποιείτε το αλυσοπρίοιο όταν ο καιρός είναι βροχερός ή σε υγρά περιβάλλοντα επειδή το ηλεκτρικό μοτέρ δεν είναι αδιάβροχο.

1. **Να συνδέετε το αλυσοπρίοιο μόνο σε γειωμένες πρίζες σε δοκιμασμένα ηλεκτρικά κυκλώματα. Ελέγξτε ότι η τάση του συστήματος αντιστοιχεί σε αυτήν που αναγράφεται στην πινακίδα ονομαστικών τιμών. Βεβαιωθείτε ότι το εργαλείο προστατεύεται από ασφάλεια γραμμής 16 Α. Τα πριόνια που χρησιμοποιούνται σε εξωτερικό χώρο πρέπει να είναι συνδεδεμένα με ασφάλεια κυκλώματος που λειτουργεί με παραμένον ηλεκτρικό ρεύμα, με λειτουργικό ηλεκτρικό ρεύμα που δεν υπερβαίνει τα 30 mA.**



..... Αν το καλώδιο σύνδεσης υποστεί βλάβη, βγάλτε το φως του ηλεκτρικού καλωδίου από την πρίζα της κεντρικής ηλεκτρικής παροχής.

## Πρακτικές για ασφαλή εργασία

1. **Πριν αρχίσετε την εργασία, ελέγξτε ότι το αλυσοπρίοιο λειτουργεί σωστά και ότι η κατάσταση στην οποία βρίσκεται συμμορφώνεται με τους κανονισμούς ασφαλείας. Συγκεκριμένα ελέγξτε ότι:**
  - Το άμεσο φρένο αλυσίδας λειτουργεί σωστά,
  - Η διάταξη διακοπής εργαλείου λειτουργεί σωστά,
  - Ο οδηγός και το κάλυμμα οδοντωτού τροχού είναι τοποθετημένα σωστά,
  - Η αλυσίδα έχει συντηρηθεί σύμφωνα με τους κανονισμούς που αφορούν το ακόνισμα και το τάνυσμά της,
  - Το κεντρικό καλώδιο και το φως δεν έχουν υποστεί βλάβη,

Ανατρέξτε στην ενότητα «ΕΛΕΓΧΟΙ».

2. Συγκεκριμένα, να βεβαιώνετε πάντοτε ότι το καλώδιο επέκτασης (μαπαντέζα) που χρησιμοποιείτε έχει κατάλληλη διατομή (βλ. «ΤΕΧΝΙΚΑ ΧΑΡΑΚΤΗΡΙΣΤΙΚΑ»). Όταν χρησιμοποιείτε καρούλι ηλεκτρικού καλωδίου, να ξετυλίγεται το ηλεκτρικό καλώδιο εντελώς από το καρούλι. Όταν χρησιμοποιείτε το πριόνι σε ανοιχτό χώρο, να βεβαιώνετε ότι το ηλεκτρικό καλώδιο που χρησιμοποιείτε προορίζεται για χρήση σε ανοιχτό χώρο και έχει την κατάλληλη ονομαστική τάση.
3. Μην θέτετε το αλυσοπρίοιο σε λειτουργία κοντά σε εύφλεκτη σκόνη ή αέρια επειδή το μοτέρ παράγει σπίθιες και υπάρχει κίνδυνος έκρηξης.
4. Να εργάζεστε μόνο σε σταθερό έδαφος και να στέκεστε καλά. Να προσέχετε ιδιαίτερα τα εμπόδια (π.χ. το ηλεκτρικό καλώδιο) στην περιοχή εργασίας. Να προσέχετε ιδιαίτερα στις περιοχές όπου ενδέχεται να δημιουργηθούν ολισθηρές επιφάνειες εξαιτίας υγρασίας, πάγου, χιονιού, φρεσκοκομμένου ξύλου ή φλοιών από δέντρα. Μην χρησιμοποιείτε το αλυσοπρίοιο όταν βρίσκεστε επάνω σε σκάλες ή επάνω σε δέντρα.
5. Να προσέχετε ιδιαίτερα όταν εργάζεστε σε εδάφη με κλίση. Οι κορμοί και τα κλαριά αποτελούν πιθανό κίνδυνο αν κυλήσουν.
6. Ποτέ μην κόβετε επάνω από το ύψος του ώμου σας. **(Εικ. 1)**
7. Όταν ανάβετε και χρησιμοποιείτε το αλυσοπρίοιο, να το κρατάτε και με τα δύο χέρια. Να κρατάτε την πίσω λαβή με το δεξί χέρι σας και την μπροστινή λαβή με αριστερό χέρι σας. Να κρατάτε τις λαβές σταθερά με τους αντίχειρές σας. Όταν ανάβετε το αλυσοπρίοιο, ο οδηγός και η αλυσίδα δεν πρέπει να έρχονται σε επαφή με οποιοδήποτε αντικείμενο.
8. Καθαρίστε την περιοχή που θα κόψετε από ξένα αντικείμενα όπως άμμο, πέτρες, καρφιά, σύρμα κτλ. Τα ξένα αντικείμενα προκαλούν βλάβη στον οδηγό και την αλυσίδα και μπορεί να προκαλέσουν επικίνδυνο κλότσημα.
9. Να προσέχετε ιδιαίτερα όταν κόβετε κοντά σε συρματένιους φράκτες. Μην κόβετε μέσα στο φράκτη επειδή το αλυσοπρίοιο μπορεί να κλοτσήσει.
10. Μην κόβετε μέσα στο έδαφος.
11. Να κόβετε το ξύλο ξεχωριστά, και όχι σε δέσμες ή στοίβες.
12. Να αποφεύγετε να χρησιμοποιείτε το αλυσοπρίοιο για να κόψετε λεπτά κλαριά ή ρίζες επειδή αυτά μπορεί να μπλεχτούν μέσα στο αλυσοπρίοιο. Η απώλεια της ισορροπίας αποτελεί κίνδυνο.
13. Χρησιμοποιήστε ασφαλές στήριγμα (τρίποδο) όταν κόβετε ήδη κομμένη ξυλεία.
14. Μην χρησιμοποιείτε το αλυσοπρίοιο για να αποσπάτε ή να παραμερίζετε **κομμάτια ξύλου ή άλλα αντικείμενα.**
15. Να καθοδηγείτε το αλυσοπρίοιο με τέτοιο τρόπο ώστε κανένα μέλος του σώματός σας να μη



βρίσκεται εντός της εκτεταμένης διαδρομής της αλυσίδας πριονιού. (Εικ. 2)

16. Όταν μετακινείστε κατά τα διαστήματα που μεσολαβούν ανάμεσα από τις εργασίες πριονίσματος, να εφαρμόζετε το φρένο αλυσίδας ώστε να αποτρέπεται η τυχαία λειτουργία της αλυσίδας. Όταν μεταφέρετε το αλυσοπρίονο, κρατήστε το από την μπροστινή λαβή και κρατήστε το δάκτυλο σας μακριά από το διακόπτη. Να απουσνδέετε το εργαλείο από την κεντρική ηλεκτρική παροχή όταν κάνετε διαλείμματα και όταν δεν το επιτηρείτε. Να αφήνετε το αλυσοπρίονο σε μέρος στο οποίο δεν θα αποτελέσει κίνδυνο.
17. Να απουσνδέετε το εργαλείο από την κεντρική ηλεκτρική παροχή όταν κάνετε διαλείμματα και όταν δεν το επιτηρείτε. Να αφήνετε το αλυσοπρίονο σε μέρος στο οποίο δεν θα αποτελέσει κίνδυνο.

## Κλότσημα

1. Κατά την εργασία με το αλυσοπρίονο ενδέχεται να παρουσιαστεί κλότσημα. Το κλότσημα προκύπτει όταν η μύτη του οδηγού (συγκεκριμένα το μπροστινό τέταρτο) έρθει σε επαφή με το ξύλο ή άλλο συμπαγές αντικείμενο. Αυτό προκαλεί την άμεση εκτροπή του αλυσοπρίονου προς την κατεύθυνση του χειριστή. (Εικ. 3)
2. Για να αποφεύγετε το κλότσημα, να τηρείτε τις παρακάτω οδηγίες:
  - Μην ξεκινάτε ποτέ να κόβετε με τη μύτη του οδηγού.
  - Μη χρησιμοποιείτε ποτέ τη μύτη του οδηγού για κοπή. Να είσατε ιδιαίτερα προσεχτικοί όταν συνεχίζετε κοπές που είχατε αφήσει στη μέση.
  - Ξεκινήστε την κοπή με την αλυσίδα να περιστρέφεται.
  - Να ακονίζετε πάντοτε σωστά την αλυσίδα. Συγκεκριμένα, προσαρμόστε το ρυθμιστή βάθους στο κατάλληλο ύψος (για λεπτομέρειες, ανατρέξτε στην ενότητα «Ακόνισμα της αλυσίδας»).
  - Μην πριονίζετε ποτέ περισσότερα από ένα κλαρί ταυτόχρονα.
  - Όταν κλαδεύετε, να είσατε ιδιαίτερα προσεχτικοί ώστε ο οδηγός να μην έρχεται σε επαφή με άλλα κλαριά.
  - Όταν τεμαχίζετε, να μην πλησιάζετε γειτονικούς κορμούς. Πάντοτε να έχετε το νου σας στη μύτη του οδηγού.
  - Να χρησιμοποιείτε τρίποδο.

## Διατάξεις ασφάλειας

1. Πριν αρχίζετε την εργασία, να ελέγχετε πάντοτε ότι οι διατάξεις ασφάλειας λειτουργούν σωστά. Μη χρησιμοποιείτε το αλυσοπρίονο αν οι διατάξεις ασφάλειας δεν λειτουργούν σωστά.
- **Άμεσο φρένο αλυσίδας:**  
Το αλυσοπρίονο διαθέτει άμεσο φρένο αλυσίδας το οποίο ακινητοποιεί την αλυσίδα πριονιού μέσα

σε κλάσματα δευτερολέπτου. Ενεργοποιείται όταν πιέζετε το προστατευτικό χεριού προς τα μπροστά. Η αλυσίδα πριονιού θα ακινητοποιηθεί εντός 0,15 δευτερολέπτου και θα διακοπεί η ηλεκτρική παροχή στο μοτέρ.

- **Διάταξη διακοπής εργαλείου: (Εικ. 4)**  
Το αλυσοπρίονο διαθέτει διάταξη διακοπής εργαλείου η οποία ακινητοποιεί άμεσα την αλυσίδα πριονιού όταν αφήνετε το διακόπτη λειτουργίας. Έτσι, εμποδίζεται η περιστροφή της αλυσίδας πριονιού όταν το εργαλείο είναι απενεργοποιημένο, γεγονός που αποτελεί κίνδυνο.
  - Το **μπροστινό** και το **πίσω προστατευτικό χεριού** προστατεύουν το χειριστή από τραυματισμό λόγω των κομματιών ξύλου που μπορεί να εκτοξευτούν προς τα πίσω ή λόγω του σπασίματος της αλυσίδας πριονιού.
  - Το κλειδώμα της σκανδάλης εμποδίζει την τυχαία ενεργοποίηση του αλυσοπρίονου.
  - Ο **συγκρατήρας αλυσίδας** προστατεύει το χειριστή από τραυματισμό σε περίπτωση που η αλυσίδα αναπηδήσει ή σπάσει.

## Μεταφορά και αποθήκευση



..... Όταν το αλυσοπρίονο δεν χρησιμοποιείται ή όταν αυτό μεταφέρεται, απουσνδέετε το από την κεντρική ηλεκτρική παροχή και προσαρμόστε τη θήκη που παρέχεται με το πριόνι. Ποτέ μη μεταφέρετε το πριόνι με την αλυσίδα πριονιού να περιστρέφεται.

1. Να μεταφέρετε το αλυσοπρίονο μόνο από την μπροστινή λαβή, με τον οδηγό στραμμένο προς τα πίσω.
2. Να φυλάσσετε το αλυσοπρίονο σε ασφαλές, στεγνό και κλειδωμένο χώρο, μακριά από παιδιά. Μη αποθηκεύετε το αλυσοπρίονο σε εξωτερικό χώρο.

## Συντήρηση

1. Βγάλτε το φις του ηλεκτρικού καλωδίου από την πρίζα πριν εκτελέσετε οποιαδήποτε εργασία ρύθμισης ή συντήρησης.
2. Να ελέγχετε τακτικά το ηλεκτρικό καλώδιο για φθορές στη μόνωση.
3. Να καθαρίζετε τακτικά το αλυσοπρίονο.
4. Να φροντίζετε ώστε να επισκευάζονται σωστά και άμεσα τυχόν βλάβες στο πλαστικό περιβλημα.
5. Μη χρησιμοποιείτε το πριόνι εάν η σκανδάλη-διακόπτης δεν λειτουργεί σωστά. Να φροντίζετε ώστε αυτή να επισκευάζεται σωστά.
6. Σε καμία περίπτωση μην εκτελέσετε οποιαδήποτε τροποποίηση στο αλυσοπρίονο. Θέτετε σε κίνδυνο την ασφάλειά σας.
7. Μην εκτελείτε εργασίες συντήρησης ή επισκευής διαφορετικές από αυτές που περιγράφονται στο παρόν εγχειρίδιο οδηγιών. Οποιοσδήποτε άλλες

εργασίες πρέπει να εκτελούνται από το κέντρο εξυπηρέτησης της ΜΑΚΙΤΑ.

8. Να χρησιμοποιείτε μόνο γνήσια ανταλλακτικά και αξεσουάρ της ΜΑΚΙΤΑ που προορίζονται για το συγκεκριμένο μοντέλο αλυσσπρίονου. Αν χρησιμοποιήσετε άλλα εξαρτήματα, αυξάνεται ο κίνδυνος ατυχήματος.
9. Η ΜΑΚΙΤΑ δεν αναλαμβάνει καμία ευθύνη για ατυχήματα και βλάβες που προέκυψαν λόγω της χρήσης μη εγκεκριμένων οδηγών, αλυσίδων πριονιού ή άλλων ανταλλακτικών και αξεσουάρ. Για τους εγκεκριμένους οδηγούς και αλυσίδες πριονιού, ανατρέξτε στο «Απόσπασμα καταλόγου ανταλλακτικών».

## Πρώτες βοήθειες



..... Να μην εργάζεστε μόνοι. Να εργάζεστε πάντοτε σε μέρος απ' όπου θα μπορούσατε να καλέσετε για βοήθεια ένα δεύτερο άτομο.

1. Να έχετε πάντοτε κοντά σας κουτί πρώτων βοηθειών. Να αντικαθιστάτε αμέσως ο,τιδήποτε χρησιμοποιείτε από αυτό.
2. Αν χρειαστείτε βοήθεια σε περίπτωση ατυχήματος, να δηλώσετε τα παρακάτω:
  - Πού συνέβη το ατύχημα;
  - Τι συνέβη;
  - Πόσα άτομα τραυματίστηκαν;
  - Τι τραυματισμούς φέρουν;
  - Ποιος αναφέρει το ατύχημα;

### ΠΑΡΑΤΗΡΗΣΗ:

Όταν άτομα με κακή κυκλοφορία αίματος εκτίθενται σε υπερβολικούς κραδασμούς, μπορεί να προκληθεί τραυματισμός στα αιμοφόρα αγγεία ή στο νευρικό σύστημα.

Οι κραδασμοί ενδέχεται να προκαλέσουν τα ακόλουθα συμπτώματα στα δάκτυλα, τα χέρια και τους καρπούς: «Κοίμιση» (μυϊδίαση), μυρμηγκίαση, πόνο, σουβλιές, αλλαγή χρώματος ή υφή του δέρματος.

**Αν προκύψει οποιοδήποτε από αυτά τα συμπτώματα, επισκεφτείτε γιαντρό!**

## ΦΥΛΑΞΤΕ ΑΥΤΕΣ ΤΙΣ ΟΔΗΓΙΕΣ

### ΠΕΡΙΓΡΑΦΗ ΛΕΙΤΟΥΡΓΙΑΣ

#### ΠΡΟΣΟΧΗ:

- Να βεβαιώνετε πάντοτε ότι το εργαλείο είναι σβηστό και αποσυνδεδεμένο από το ηλεκτρικό ρεύμα πριν ρυθμίζετε ή ελέγχετε κάποια λειτουργία του.

#### Δράση διακόπτη (Εικ. 5)

#### ΠΡΟΣΟΧΗ:

- Πριν συνδέετε το εργαλείο, πάντοτε να ελέγχετε ότι η σκανδάλη-διακόπτης ενεργοποιείται κανονικά και επιστρέφει στη θέση OFF όταν την αφήνετε.

Για να μην πιέζεται η σκανδάλη-διακόπτης κατά λάθος, παρέχεται ένα κουμπί ασφάλισης.

Για να ξεκινήσετε τη λειτουργία του εργαλείου, πιέστε το κουμπί ασφάλισης και πατήστε τη σκανδάλη-διακόπτη.

Για να σταματήσετε το εργαλείο, αφήστε τη σκανδάλη-διακόπτη.

## ΣΥΝΑΡΜΟΛΟΓΗΣΗ

#### ΠΡΟΣΟΧΗ:

- Να βεβαιώνετε πάντοτε ότι το εργαλείο είναι σβηστό και αποσυνδεδεμένο από το ηλεκτρικό ρεύμα πριν εκτελέσετε οποιαδήποτε εργασία σε αυτό.

### Τοποθέτηση ή αφαίρεση αλυσίδας πριονιού

#### ΠΡΟΣΟΧΗ:

- Να βεβαιώνετε πάντοτε ότι το εργαλείο είναι σβηστό και αποσυνδεδεμένο από το ηλεκτρικό ρεύμα πριν τοποθετήσετε ή αφαιρέσετε αλυσίδα πριονιού.
- Να φοράτε πάντοτε γάντια όταν τοποθετείτε ή αφαιρείτε την αλυσίδα πριονιού.

1. Για να βγάλετε την αλυσίδα πριονιού, μετακινήστε το μοχλό στην όρθια θέση. **(Εικ. 6)**
2. Πιέστε παρατεταμένα το μοχλό και περιστρέψτε τον αριστερότροφο για να ξεφίξετε το παξιμάδι έως ότου βγει το κάλυμμα οδοντωτού τροχού. (Αν πιέσετε το μοχλό, αυτός θα εφαρμόσει μέσα στο παξιμάδι).
3. Περιστρέψτε αριστερότροφα τον επιλογέα ρύθμισης για να χαλαρώσετε την τάνυση της αλυσίδας πριονιού.
4. Αφαίρεση του καλύμματος οδοντωτού τροχού.
5. Βγάλετε την αλυσίδα πριονιού και τον οδηγό αλυσίδας από το αλυσσπρίονο.
6. Για να τοποθετήσετε την αλυσίδα πριονιού, προσαρμόστε το ένα άκρο της αλυσίδας πριονιού στο επάνω μέρος του οδηγού αλυσίδας και το άλλο άκρο γύρω από τον οδοντωτό τροχό. **(Εικ. 7)**

Προσαρμόστε τώρα την αλυσίδα πριονιού όπως φαίνεται στην εικόνα επειδή περιστρέφεται προς την κατεύθυνση που δείχνει το βέλος.

7. Ακουμπήστε τον οδηγό αλυσίδας στη θέση του επάνω στο αλυσσπρίονο.
8. Περιστρέψτε αριστερότροφα τον επιλογέα ρύθμισης για να ολισθήσει η περόνη ρύθμισης προς την κατεύθυνση του βέλους. **(Εικ. 8)**
9. Τοποθετήστε το κάλυμμα οδοντωτού τροχού επάνω στο αλυσσπρίονο ώστε ο γάντζος στο πίσω κάλυμμα να εισαχθεί στην οπή στο αλυσσπρίονο και η περόνη ρύθμισης να τοποθετηθεί σε μια μικρή οπή στον οδηγό αλυσίδας. **(Εικ. 9)**
10. Πιέστε παρατεταμένα το μοχλό και περιστρέψτε τον δεξιότροφο για να σφίξετε το παξιμάδι. Κατόπιν, περιστρέψτε τον αριστερότροφο, παίρνοντας ένα τέταρτο της στροφής, για να χαλαρώσετε λίγο το παξιμάδι. **(Εικ. 10)**

## Ρύθμιση τάνυσης της αλυσίδας πριονιού

Η αλυσίδα πριονιού μπορεί να χαλαρώσει μετά από αρκετές ώρες χρήσης. Να ελέγχετε κατά διαστήματα την τάνυση της αλυσίδας πριονιού πριν από τη χρήση.

Μετακινήστε το μοχλό στην όρθια θέση. **(Εικ. 11)**

Πιέστε προς τα μέσα το μοχλό. Με πατημένο το μοχλό, περιστρέψτε τον αριστερότροφο, περίπου ένα τέταρτο της στροφής, για να χαλαρώσετε λίγο το παξιμάδι. (Αν πιέσετε το μοχλό, αυτός θα εφαρμόσει μέσα στο παξιμάδι). **(Εικ. 12)**

Περιστρέψτε τον επιλογέα ρύθμισης για να ρυθμίσετε την τάνυση της αλυσίδας πριονιού. Πιάστε καλά την αλυσίδα πριονιού από τη μέση του οδηγού αλυσίδας και σηκώστε την. Το κενό μεταξύ του οδηγού αλυσίδας και του μάντα δέσμεισης του αλυσοπριονίου θα πρέπει να είναι περίπου 2 έως 4 mm. Εάν το κενό δεν είναι περίπου 2 έως 4 mm, περιστρέψτε λίγο τον επιλογέα ρύθμισης που ασφαλίζει τον οδηγό αλυσίδας. Κάντε τώρα τη ρύθμιση με τη μύτη του οδηγού αλυσίδας στραμμένη ελαφρώς προς τα πάνω. **(Εικ. 13)**

Με πατημένο το μοχλό, περιστρέψτε τον τελειώζ δεξιότροφο για να σφίξετε καλά το παξιμάδι. **(Εικ. 14)**

Επιστρέψτε το μοχλό στην αρχική του θέση. **(Εικ. 15)**

### ΠΡΟΣΟΧΗ:

- Η υπερβολική τάνυση της αλυσίδας πριονιού ενδέχεται να προκαλέσει το σπάσιμο της αλυσίδας πριονιού, τη φθορά του οδηγού αλυσίδας και το σπάσιμο του επιλογέα ρύθμισης.
- Η τοποθέτηση και η αφαίρεση της αλυσίδας πριονιού θα πρέπει να εκτελούνται σε καθαρό μέρος χωρίς πριονίδια και παρόμοια υλικά.

## ΛΕΙΤΟΥΡΓΙΑ

### Λίπανση

#### ΠΡΟΣΟΧΗ:

- Να βεβαιώνετε πάντοτε ότι το εργαλείο είναι σβηστό και αποσυνδεδεμένο από το ηλεκτρικό ρεύμα πριν από τη λίπανση της αλυσίδας πριονιού.

Να λιπαίνετε την αλυσίδα και τον οδηγό πριονιού με βιοαποικοδομήσιμο λάδι για αλυσίδες πριονιού με συγκολλητικό μέσο. Το συγκολλητικό μέσο εμποδίζει τη γρήγορη αποβολή του λαδιού της αλυσίδας πριονιού από το πριόνι. Μη χρησιμοποιείτε ορυκτέλαια επειδή είναι βλαβερά για το περιβάλλον. **(Εικ. 16)**

#### ΠΡΟΣΟΧΗ:

- Να αποφεύγετε την επαφή του λιπαντικού με το δέρμα και τα μάτια. Η επαφή με τα μάτια προκαλεί ερεθισμό. Σε περίπτωση επαφής με τα μάτια, ξεπλύνετε αμέσως το προσβεβλημένο μάτι με καθαρό νερό και κατόπιν συμβουλευτείτε αμέσως γιατρό.
- Μη χρησιμοποιείτε ποτέ απόβλητα λάδια. Τα απόβλητα λάδια περιέχουν καρκινογόνες ουσίες.

Τα μολυσμένα απόβλητα προκαλούν γρήγορη φθορά στην αντλία λαδιού, τον οδηγό και την αλυσίδα. Τα απόβλητα λάδια είναι βλαβερά για το περιβάλλον.

- Κατά την πρώτη πλήρωση του αλυσοπριονίου με λάδι αλυσίδας ή σε επακόλουθη πλήρωση του δοχείου όταν αυτό έχει αδειάσει εντελώς, προσθέστε λάδι μέχρι το κάτω μέρος του στομίου πλήρωσης. Διαφορετικά, η διανομή λαδιού ενδέχεται να μη γίνει σωστά.

Καθαρίστε καλά την περιοχή γύρω από την τάπα πλήρωσης λαδιού, όπως απεικονίζεται στην εικόνα, για να αποφύγετε την είσοδο ακαθαρσιών στο δοχείο λαδιού. **(Εικ. 17)**

Ξεβιδώστε την τάπα πλήρωσης λαδιού και προσθέστε λάδι έως το κατώτερο άκρο του στομίου πλήρωσης.

Βιδώστε καλά την τάπα πλήρωσης λαδιού ξανά στη θέση της.

Σκουπίστε προσεχτικά τυχόν χυμένο λάδι αλυσίδας.

Όταν χρησιμοποιήσετε το αλυσοπριόνιο για πρώτη φορά, μπορεί να χρειαστούν έως δύο λεπτά για να επιδράσει το λάδι αλυσίδας στο μηχανισμό του πριονιού. Αφήστε το πριόνι να λειτουργήσει χωρίς φορτίο έως ότου αρχίσει η επίδραση λίπανσης (βλ. «ΕΛΕΓΧΟΙ»)

Η χωρητικότητα του δοχείου (200ml) επαρκεί για χρήση 30 περίπου λεπτών.

## ΕΛΕΓΧΟΙ

Πριν ξεκινήσετε την εργασία, εκτελέστε τους παρακάτω ελέγχους:

### Έλεγχος τάνυσης της αλυσίδας (Εικ. 18)

#### ΠΡΟΕΙΔΟΠΟΙΗΣΗ:

- Να αποσυνδέετε πάντοτε το εργαλείο από την κεντρική ηλεκτρική παροχή πριν ελέγξετε το τέντωμα αλυσίδας και να φοράτε προστατευτικά γάντια.

Η αλυσίδα πριονιού έχει τη σωστή τάνυση όταν βρίσκεται σε επαφή με το κάτω μέρος του οδηγού και μπορείτε να τη σηκώσετε περίπου 2 έως 4 mm από τον οδηγό πιέζοντας την ελαφριά με το δάκτυλο.

Να ελέγχετε τακτικά την τάνυση της αλυσίδας επειδή οι καινούργιες αλυσίδες έχουν την τάση να επιμηκύνονται. Εάν η αλυσίδα είναι πολύ χαλαρή, μπορεί να αναπηδήσει από τον οδηγό. Συνεπώς, αποτελεί κίνδυνο ατυχήματος.

Αν η αλυσίδα είναι πολύ χαλαρή: Ανατρέξτε στην ενότητα με τίτλο «Ρύθμιση τάνυσης της αλυσίδας πριονιού» και ρυθμίστε ξανά την τάνυση της αλυσίδας πριονιού.

### Έλεγχος της δράσης διακόπτη

#### ΠΡΟΣΟΧΗ:

Να αποσυνδέετε πάντοτε το εργαλείο από το ηλεκτρικό ρεύμα πριν δοκιμάσετε τη σκανδάλη-διακόπτη. Απαγορεύεται να κλειδώνετε τη σκανδάλη-διακόπτη στη θέση ON. Δεν θα πρέπει να

είναι δυνατό το πάτημα της σκανδάλης-διακόπτη αν δεν πιέσετε πρώτα το κουμπί ασφάλισης.

Η σκανδάλη-διακόπτης δεν πρέπει να κολλάει στην πιεσμένη θέση. Όταν αφήνετε τη σκανδάλη-διακόπτη, αυτή πρέπει να επιστρέφει αυτόματα στη θέση OFF και το κουμπί ασφάλισης θα πρέπει να επιστρέφει στην αρχική θέση του. **(Εικ. 19)**

### Έλεγχος άμεσου φρένου αλυσίδας

#### ΠΑΡΑΤΗΡΗΣΗ:

- Αν το αλυσοπρίονο δεν ξεκινά, πρέπει να αφήσετε το άμεσο φρένο αλυσίδας. Τραβήξτε σταθερά το προστατευτικό χεριού προς τα πίσω μέχρι να το νιώσετε να δεσμεύεται.

Όταν ανάβετε το αλυσοπρίονο να το κρατάτε και με τα δύο χέρια. Η κρατάτε την πίσω λαβή με το δεξί χέρι σας και την μπροστινή λαβή με αριστερό χέρι σας. Ο οδηγός και η αλυσίδα δεν πρέπει να βρίσκονται σε επαφή με κανένα αντικείμενο.

Πιέστε πρώτα το κουμπί ασφάλισης και κατόπιν τη σκανδάλη-διακόπτη. Το αλυσοπρίονο θα ξεκινήσει αμέσως.

Πιέστε το προστατευτικό χεριού προς τα μπροστά με το πίσω μέρος του χεριού σας. Το αλυσοπρίονο θα πρέπει να ακινητοποιηθεί αμέσως. **(Εικ. 20)**

#### ΠΡΟΣΟΧΗ:

- Αν το αλυσοπρίονο δεν σταματήσει αμέσως σε αυτήν τη δοκιμή, σε καμία περίπτωση δεν πρέπει να χρησιμοποιήσετε το αλυσοπρίονο. Συμβουλευτείτε ειδικευμένο κατάστημα επισκευών της MAKITA.

### Έλεγχος της διάταξης διακοπής εργαλείου

Ανάψτε το αλυσοπρίονο.

Αφήστε εντελώς τη σκανδάλη-διακόπτη. Το αλυσοπρίονο θα πρέπει να ακινητοποιηθεί εντός ενός δευτερολέπτου.

#### ΠΡΟΣΟΧΗ:

- Εάν το αλυσοπρίονο δεν ακινητοποιηθεί εντός ενός δευτερολέπτου σε αυτήν τη δοκιμή, δεν πρέπει να χρησιμοποιήσετε το αλυσοπρίονο. Συμβουλευτείτε ειδικευμένο κατάστημα επισκευών της MAKITA.

### Έλεγχος συστήματος λίπανσης αλυσίδας (Εικ. 21)

Πριν ξεκινήσετε οποιαδήποτε εργασία, ελέγξτε τη στάθμη λαδιού στο δοχείο και τη διανομή λαδιού.

Μπορείτε να δείτε τη στάθμη λαδιού μέσα από το διαφανές παραθυράκι που απεικονίζεται στην εικόνα.

Ελέγξτε τη διανομή λαδιού ως εξής:

Ξεκινήστε το αλυσοπρίονο.

Με το πριόνι σε λειτουργία, κρατήστε την αλυσίδα πριονιού περίπου 15 εκατοστά πάνω από το κορμό του δέντρου ή το έδαφος. Εάν η λίπανση είναι επαρκής, ο ψεκασμός λαδιού θα αφήσει ένα ελαφρύ ίχνος λαδιού. Προσέξτε την κατεύθυνση του αέρα και μην εκτίθεστε άσκοπα στον ψεκασμό λαδιού.

#### ΠΡΟΣΟΧΗ:

- Εάν δεν σχηματιστεί ίχνος λαδιού, μη χρησιμοποιήσετε το πριόνι. Διαφορετικά, θα μειωθεί η διάρκεια ζωής της αλυσίδας. Ελέγξτε τη στάθμη λαδιού. Καθαρίστε την εγκοπή τροφοδοσίας λαδιού και την οπή τροφοδοσίας λαδιού στον οδηγό (ανατρέξτε στην παράγραφο «ΣΥΝΤΗΡΗΣΗ»).

## ΕΡΓΑΣΙΑ ΜΕ ΤΟ ΑΛΥΣΟΠΡΙΟΝΟ

### Τεμαχισμός

Για να εκτελέσετε τεμαχισμό, ακουμπήστε την οδοντωτή ράγα στο ξύλο που θα κόψετε, όπως απεικονίζεται στην εικόνα. **(Εικ. 22)**

Με την αλυσίδα πριονιού να περιστρέφεται, πριονίστε το ξύλο χρησιμοποιώντας την πίσω λαβή για να σηκώσετε το πριόνι και την μπροστινή λαβή για να το καθοδηγήσετε. Χρησιμοποιήστε την οδοντωτή ράγα ως άξονα περιστροφής.

Συνεχίστε την κοπή ασκώντας ελαφριά πίεση στην μπροστινή λαβή και κρατώντας το πριόνι λίγο προς τα πίσω. Μετακινήστε την οδοντωτή ράγα βαθύτερα στο ξύλο και σηκώστε ξανά την μπροστινή λαβή.

Όταν εκτελείται αρκετές κοπές, να σβήνετε το αλυσοπρίονο μεταξύ των κοπών.

#### ΠΡΟΣΟΧΗ:

- Αν χρησιμοποιείτε τη μύτη του οδηγού για κοπή, το αλυσοπρίονο ενδέχεται να εκποιστεί προς την κατεύθυνσή σας εάν παγιδευτεί η αλυσίδα. Για το λόγο αυτό, να κόβετε με το κατώτερο άκρο ώστε το πριόνι να εκποιστεί αντίθετα από το μέρος σας. **(Εικ. 23)**

Να κόβετε ξύλο υπό πίεση πρώτα στην πλευρά υπό πίεση (Α). Κατόπιν, κόψετε την πλευρά τάνυσης (Β). Με τον τρόπο αποφεύγεται η παγίδευση του οδηγού. **(Εικ. 24)**

## Κλάδεμα

#### ΠΡΟΣΟΧΗ:

- Το κλάδεμα πρέπει να εκτελείται μόνο από εκπαιδευμένα άτομα. Η πιθανότητα κλοστήματος αποτελεί κίνδυνο.

Κατά το κλάδεμα, να στηρίζετε το αλυσοπρίονο σε κορμό δέντρου, αν αυτό είναι δυνατόν. Μην κόβετε με την άκρη του οδηγού επειδή υπάρχει κίνδυνος κλοστήματος.

Να προσέχετε ιδιαίτερα τα κλαριά που βρίσκονται υπό τάνυση. Μην κόβετε από το κάτω μέρος κλαριά που δεν στηρίζονται.

Μη στέκεστε επάνω στο κομμένο δέντρο κατά το κλάδεμα.

### Κοπή σε ανοίγματα και κοπή παράλληλα με τις ίνες

#### ΠΡΟΣΟΧΗ:

- Η κοπή σε ανοίγματα και η κοπή παράλληλα με τις ίνες θα πρέπει να εκτελούνται μόνο από ειδικά εκπαιδευμένα άτομα. Η πιθανότητα κλοστήματος αποτελεί κίνδυνο τραυματισμού.

Εκτελέστε την κοπή παράλληλα με τις ίνες με όσο το δυνατό πιο μικρή γωνία. Εκτελέστε την κοπή όσο το δυνατόν πιο προσεχτικά επειδή δεν μπορείτε να χρησιμοποιήσετε την οδοντωτή ράγα. **(Εικ. 25)**

## Ρίψη

### ΠΡΟΣΟΧΗ:

- Οι εργασίες ρίψης θα πρέπει να εκτελούνται μόνο από εκπαιδευμένα άτομα. Η εργασία αυτή είναι επικίνδυνη.

Τηρήστε τους τοπικούς κανονισμούς για να κάνετε ρίψη ενός δέντρου. **(Εικ. 26)**

- Πριν ξεκινήσετε εργασίες ρίψης, βεβαιωθείτε ότι:
  - (1) Βρίσκονται κοντά μόνο τα άτομα που εμπλεκούνται στην επιχείρηση ρίψης,
  - (2) Όλα τα εμπλεκόμενα άτομα έχουν ελεύθερο πεδίο διαφυγής σε ακτίνα περίπου 45° από την κάθε πλευρά του άξονα ρίψης. Να λάβετε υπόψη και τον κίνδυνο να σκοντάψει κάποιος στα ηλεκτρικά καλώδια,
  - (3) Η βάση του κορμού είναι ελεύθερη από ξένα αντικείμενα, ρίζες και κλαριά,
  - (4) Δεν βρίσκεται κανείς σε απόσταση ίση με το μήκος 2 1/2 δέντρων προς την κατεύθυνση που θα πέσει το δέντρο.
- Λάβετε υπόψη τα εξής για το κάθε δέντρο:
  - την κατεύθυνση προς την οποία γέρνει,
  - τα ελεύθερα ή στεγνά κλαριά,
  - το ύψος του δέντρου,
  - τη φυσική υπερέκταση,
  - εάν το δέντρο έχει σπασίσει.
- Λάβετε υπόψη την ταχύτητα και την κατεύθυνση του ανέμου. Μην εκτελείτε εργασίες ρίψης εάν έχει δυνατό άνεμο.
- Κοπή των ριζών αντερείσματος: Ξεκινήστε με τα μεγαλύτερα αντερείσματα. Πραγματοποιήστε πρώτα μια κάθετη κοπή και μετά μια οριζόντια κοπή. **(Εικ. 27)**
- Άνοιγμα εγκοπής: Η εγκοπή καθορίζει την κατεύθυνση κατά την οποία θα πέσει το δέντρο και το καθοδηγεί. Ανοίξτε την εγκοπή στην πλευρά κατά την οποία θα πέσει το δέντρο. Ανοίξτε την εγκοπή όσο το δυνατό πιο κοντά στο έδαφος. Κάντε πρώτα την οριζόντια κοπή με βάθος 1/5 έως 1/3 της διαμέτρου του δέντρου. Μην ανοίξετε πολύ μεγάλη εγκοπή. Κατόπιν κάντε τη διαγώνια κοπή.
- Κάντε τυχόν διορθώσεις στην εγκοπή σε ολόκληρο το πλάτος της. **(Εικ. 28)**
- Πρέπει να κάνετε την κοπή από πίσω, λίγο πιο ψηλά σε σχέση με την κοπή στη βάση της εγκοπής. Η κοπή από πίσω πρέπει να είναι εντελώς οριζόντια. Αφήστε απόσταση περίπου ίση με το 1/10 της διαμέτρου του κορμού ανάμεσα από την πίσω κοπή και την εγκοπή. Οι ίνες του ξύλου στο άκοπο τμήμα του κορμού λειτουργούν σαν μεντεσές. Σε καμία περίπτωση δεν πρέπει να κόψετε διαμέσου των ινών επειδή το δέντρο θα πέσει χωρίς έλεγχο. Εισάγετε έγκαιρα σφήνες στην εγκοπή.

- Μπορείτε να χρησιμοποιήσετε μόνο πλαστικές σφήνες ή σφήνες αλουμινίου για να διατηρήσετε την εγκοπή ανοιχτή. Απαγορεύεται η χρήση σιδερένιων σφήνων.
- Μείνετε πλευρικά του δέντρου που πέφτει. Να διατηρείτε ελεύθερο το πεδίο πίσω από το δέντρο που θα πέσει σε ακτίνα έως 45° από την κάθε πλευρά του άξονα του δέντρου (ανατρέξτε στην εικόνα της «περιοχής ρίψης»). Προσέχτε για κλαριά που πέφτουν.

## ΣΥΝΤΗΡΗΣΗ

### ΠΡΟΣΟΧΗ:

- Να βεβαιώνετε πάντοτε ότι το εργαλείο είναι σβηστό και αποσυνδεδεμένο από το ηλεκτρικό ρεύμα πριν εκτελέσετε οποιαδήποτε εργασία ελέγχου ή συντήρησης σε αυτό.
- Να φοράτε πάντοτε γάντια όταν εκτελείτε οποιαδήποτε εργασία επιθεώρησης ή συντήρησης.

Να εκτελείτε τις εργασίες συντήρησης που περιγράφονται παρακάτω σε τακτά χρονικά διαστήματα. Η εγγύηση θα ισχύσει μόνο αν έχετε εκτελέσει σωστά τις εργασίες αυτές σε τακτά χρονικά διαστήματα.

Ο χρήστης μπορεί να πραγματοποιήσει μόνο τις εργασίες συντήρησης που περιγράφονται στο παρόν εγχειρίδιο οδηγιών. Οποιοσδήποτε άλλες εργασίες πρέπει να εκτελούνται από ειδικευμένο κατάστημα επισκευών της MAKITA.

### Καθαρισμός του αλυσοπριονίου

Να καθαρίζετε το πριόνι τακτικά με ένα καθαρό πανί. Ιδιαίτερα στις λαβές δεν πρέπει να υπάρχει λάδι.

### Έλεγχος του πλαστικού περιβλήματος

Να εκτελείτε τακτικές οπτικές επιθεωρήσεις όλων των εξαρτημάτων του περιβλήματος. Εάν οποιοδήποτε εξάρτημα υποστεί βλάβη, φροντίστε να επισκευαστεί άμεσα και σωστά σε ειδικευμένο κατάστημα επισκευών της MAKITA.

### Ακόνισμα της αλυσίδας πριονιού

#### ΠΡΟΣΟΧΗ:

- Να βγάξετε πάντοτε το φινι του ηλεκτρικού καλωδίου από την πρίζα της κεντρικής ηλεκτρικής παροχής και να φοράτε προστατευτικά γάντια όταν εκτελείτε εργασίες στο αλυσοπριόνι. **(Εικ. 29)**

#### Ακονίστε την αλυσίδα πριονιού όταν:

- Παράγονται πριονίδια κατά την κοπή νωπού ξύλου,
- Η αλυσίδα διαπερνά το ξύλο με δυσκολία, ακόμα κι όταν ασκείτε μεγάλη πίεση,
- Η μύτη κοπής παρουσιάζει εμφανή σημάδια φθοράς,
- Το πριόνι τραβιέται προς τα αριστερά ή προς τα δεξιά μέσα στο ξύλο. Η αιτία για τη συμπεριφορά αυτή είναι το ακανόνιστο ακόνισμα της αλυσίδας πριονιού ή βλάβη μόνο στη μία πλευρά.

## **Να ακονίζετε την αλυσίδα πριονιού συχνά, αλλά να αφαιρείτε μόνο λίγο υλικό κάθε φορά.**

Για ακόνισμα ρουτίνας συνήθως επαρκούν δύο ή τρεις διαδρομές με τη λίμα.

Όταν έχετε επαναλάβει το ακόνισμα της αλυσίδας πριονιού αρκετές φορές, αυτή θα πρέπει να ακονιστεί σε ειδικευμένο κατάστημα επισκευών της ΜΑΚΙΤΑ.

### **Κριτήρια ακονίσματος:**

- Όλοι οι κόπτες θα πρέπει να έχουν ίσο μήκος (διάσταση α). Οι κόπτες με διαφορετικό μήκος εμποδίζουν την ομαλή λειτουργία της αλυσίδας και ενδέχεται να προκαλέσουν το σπάσιμο της αλυσίδας.
- Μην ακονίζετε την αλυσίδα όταν το ελάχιστο μήκος του κόπτη φτάσει στα 3 mm. Θα πρέπει να τοποθετήσετε καινούργια αλυσίδα.
- Το πάχος θραυσμάτων καθορίζεται από την απόσταση μεταξύ του ρυθμιστή βάθους (στρογγυλή μύτη) και της μύτης κοπής. Θα έχετε τα καλύτερα αποτελέσματα κοπής με απόσταση 0,5 mm μεταξύ του άκρου κοπής και του ρυθμιστή βάθους. **(Εικ. 30)**

### **ΠΡΟΕΙΔΟΠΟΙΗΣΗ:**

- Η υπερβολική απόσταση αυξάνει τον κίνδυνο κλοσήματος.
- Όλοι οι κόπτες θα πρέπει να έχουν την ίδια γωνία ακονίσματος των 30°. Εάν υπάρχουν διαφορές στη γωνία, η αλυσίδα κινείται δύσκολα και ανομοιόμορφα, επιταχύνεται η φθορά και προκαλείται σπάσιμο της αλυσίδας.
- Η γωνία του πλαϊνού χείλους των 80° του κόπτη καθορίζεται από το βάθος διείδυσης της στρογγυλής λίμας. Εάν χρησιμοποιήσετε σωστά τη συγκεκριμένη λίμα, δημιουργείται αυτόματα η σωστή γωνία του πλαϊνού χείλους. **(Εικ. 31)**

### **Λίμα και καθοδήγηση λίμας (Εικ. 32 έως 34)**

- Για να ακονίσετε την αλυσίδα, χρησιμοποιήστε μια ειδική στρογγυλή λίμα (προαιρετικό αξεσουάρ) για αλυσοπρίονα με διάμετρο 4,5 mm. Οι συνηθισμένες στρογγυλές λίμες δεν είναι κατάλληλες.
- Η λίμα θα πρέπει να έρχεται σε επαφή με το υλικό μόνο κατά την εμπρόσθια κίνηση. Ανασηκώστε τη λίμα από το υλικό κατά τη διαδρομή επιστροφής.
- Ακονίστε πρώτα τον πιο κοντό κόπτη. Το μήκος αυτού του κόπτη θα αποτελεί τη διάσταση μέτρησης για όλους τους κόπτες στο αλυσοπρίονο.
- Καθοδηγήστε τη λίμα όπως απεικονίζεται στην εικόνα. Για να καθοδηγήτε τη λίμα πιο εύκολα, χρησιμοποιήστε φορέα λίμας (προαιρετικό αξεσουάρ).
- Ο φορέας λίμας έχει ενδείξεις για το σωστό ακόνισμα των 30° (ευθυγραμμίστε τις ενδείξεις παράλληλα με την αλυσίδα πριονιού) και περιορίζει το βάθος διείδυσης (στα 4/5 της διαμέτρου λίμας).

- Αφού ακονίσετε την αλυσίδα, ελέγξτε το ύψος του ρυθμιστή βάθους με το εργαλείο μέτρησης αλυσίδας (προαιρετικό αξεσουάρ).
- Με μια ειδική επίπεδη λίμα (προαιρετικό αξεσουάρ), αφαιρέστε τυχόν υλικά που προεξέχουν, όσο μικρά και αν είναι.
- Στρογγυλέψτε ξανά το μπροστινό μέρος του ρυθμιστή βάθους.

## **Καθαρισμός οδηγού αλυσίδας και λίπανση του οδοντωτού τροχού επιστροφής**

### **ΠΡΟΣΟΧΗ:**

- Για την εργασία αυτή να φοράτε πάντοτε προστατευτικά γυαλιά. Οι προεξοχές αποτελούν κίνδυνο τραυματισμού. **(Εικ. 35)**

Να ελέγχετε τακτικά για βλάβη τις επιφάνειες λειτουργίας του οδηγού. Καθαρίστε με κατάλληλο εργαλείο και αφαιρέστε τις προεξοχές, αν απαιτείται.

Εάν χρησιμοποιείτε συχνά το αλυσοπρίονο, να λιπαίνετε τον τριβέα του οδοντωτού τροχού επιστροφής τουλάχιστον μία φορά την εβδομάδα. Πριν προσθέσετε φρέσκο γράσο, καθαρίστε προσεκτικά την οπή 2 mm στη μύτη του οδηγού αλυσίδας και κατόπιν εξαναγκάστε μια μικρή ποσότητα γράσου πολλαπλών χρήσεων (προαιρετικό αξεσουάρ) μέσα στην οπή.

### **Καθαρισμός του οδηγού λαδιού (Εικ. 36)**

- Να καθαρίζετε την εγκοπή του οδηγού λαδιού και την οπή τροφοδοσίας λαδιού στον οδηγό σε τακτά διαστήματα.

### **Καθαρισμός του φίλτρου λαδιού στην οπή εκροής λαδιού**

Κατά τη λειτουργία, ίσως συσσωρευτεί σκόνη ή μικρά σωματίδια στο φίλτρο λαδιού στην οπή εκροής λαδιού.

Η σκόνη ή τα μικρά σωματίδια που συσσωρεύονται στο φίλτρο λαδιού ίσως επηρεάσουν αρνητικά τη ροή εκροής και προκαλέσουν ανεπαρκή λίπανση σε ολόκληρη την αλυσίδα πριονιού.

Όταν προκύπτει ανεπαρκής παροχή λαδιού αλυσίδας στο επάνω μέρος του οδηγού αλυσίδας, καθαρίστε το φίλτρο ως εξής.

Αποσυνδέστε το εργαλείο από την κεντρική ηλεκτρική τροφοδοσία.

Βγάλτε το κάλυμμα οδοντωτού τροχού και την αλυσίδα πριονιού από το εργαλείο. (Ανατρέξτε στην παράγραφο με τίτλο «Τοποθέτηση ή αφαίρεση αλυσίδας πριονιού».)

Βγάλτε το παξιμάδι με τη βοήθεια ενός πλακέ κατασβιδιού με λεπτό άξονα ή παρόμοιου εργαλείου. **(Εικ. 37)**

Βγάλτε το φίλτρο από το αλυσοπρίονο και απομακρύνετε τη σκόνη και τα μικρά σωματίδια από αυτό.

Όταν το φίλτρο είναι πολύ βρόμικο, αντικαταστήστε το με ένα καινούργιο.

Συνδέστε στο εργαλείο στην κεντρική ηλεκτρική τροφοδοσία. **(Εικ. 38)**

Πατήστε τη σκανδάλη-διακόπτη για να παρασυρθεί η συσσωρευμένη σκόνη ή τα σωματίδια με τη ροή του λαδιού αλυσίδας που εκρέει από την οπή εκροής λαδιού.

Αποσυνδέστε το εργαλείο από την κεντρική ηλεκτρική τροφοδοσία. **(Εικ. 39)**

Τοποθετήστε το καθαρισμένο φίλτρο λαδιού στην οπή εκροής λαδιού. Όταν το φίλτρο είναι πολύ βρόμικο, αντικαταστήστε το με ένα καινούργιο. **(Εικ. 40)**

Τοποθετήστε το παξιμάδι με τη σωστή πλευρά στραμμένη όπως απεικονίζεται στην εικόνα στην οπή εκροής λαδιού για να ασφαλίσετε το φίλτρο. Όταν δεν είναι δυνατή η ασφάλιση του φίλτρου επειδή το παξιμάδι είναι παραμορφωμένο, αντικαταστήστε το παξιμάδι με ένα καινούργιο.

Τοποθετήστε ξανά το κάλυμμα οδοντωτού τροχού και την αλυσίδα πριονιού στο εργαλείο. **(Εικ. 41)**

### Καινούργιες αλυσίδες πριονιού

Να χρησιμοποιείτε εναλλάξ δύο ή τρεις αλυσίδες πριονιού ώστε η αλυσίδα πριονιού, ο οδοντωτός τροχός και οι επιφάνειες λειτουργίας του οδηγού να φθείρονται ομοιόμορφα.

Γυρίστε ανάποδα τον οδηγό όταν αλλάζετε την αλυσίδα ώστε η εγκοπή του οδηγού να φθείρεται ομοιόμορφα.

#### ΠΡΟΣΟΧΗ:

- Να χρησιμοποιείτε μόνο αλυσίδες και οδηγούς που είναι εγκεκριμένοι για αυτό το μοντέλο πριονιού (ανατρέξτε στις «ΠΡΟΔΙΑΓΡΑΦΕΣ»). **(Εικ. 42)**

Πριν τοποθετήσετε καινούργια αλυσίδα πριονιού, ελέγξτε την κατάσταση του οδοντωτού τροχού.

#### ΠΡΟΣΟΧΗ:

- Ένας φθαρμένος οδοντωτός τροχός θα προκαλέσει βλάβη σε μια καινούργια αλυσίδα πριονιού. Στην περίπτωση αυτή αλλάξτε τον οδοντωτό τροχό.

Να τοποθετείτε πάντοτε ένα καινούργιο δακτύλιο ασφάλισης όταν αλλάζετε τον οδοντωτό τροχό.

### Συντήρηση της αλυσίδας και των διατάξεων διακοπής εργαλείου

Τα συστήματα πέδησης αποτελούν πολύ σημαντικά χαρακτηριστικά ασφάλειας. Όπως κάθε άλλο εξάρτημα του αλυσοπρίονου, υπόκεινται σε ορισμένο βαθμό φθοράς. Πρέπει να ελέγχονται τακτικά από ειδικευμένο κατόχηση επισκευής της MAKITA. Αυτό αποτελεί μέτρο για την προσωπική σας ασφάλεια.

### Αποθήκευση εργαλείου

Μπορείτε να φυλάσσετε το βιοαποικοδομήσιμο λάδι αλυσίδας πριονιού μόνο για περιορισμένο διάστημα.

Δύο χρόνια μετά από την παρασκευή τους, τα βιολογικά λάδια αποκτούν συγκολλητικές ιδιότητες και προκαλούν βλάβη στην αντλία λαδιού και τα εξαρτήματα του συστήματος λίπανσης.

- Πριν θέσετε το αλυσοπρίονο εκτός λειτουργίας για μεγάλο χρονικό διάστημα, αδειάστε το δοχείο λαδιού και γεμίστε το με μια μικρή ποσότητα λαδιού κινητήρα (SAE 30).
- Θέστε το αλυσοπρίονο σε λειτουργία για σύντομο χρονικό διάστημα για να εκπλύνετε όλα τα κατάλοιπα του βιολογικού λαδιού από το δοχείο, το σύστημα λίπανσης και το μηχανισμό πριονίσματος.

**Όταν θέσετε το αλυσοπρίονο εκτός λειτουργίας, μια μικρή ποσότητα λαδιού αλυσίδας θα διαρρέει για κάποιο διάστημα. Αυτό είναι φυσιολογικό και δεν αποτελεί ένδειξη βλάβης.**

Να φυλάσσετε το αλυσοπρίονο σε κατάλληλη επιφάνεια.

Πριν θέσετε ξανά το αλυσοπρίονο σε λειτουργία, γεμίστε το με λάδι αλυσίδας πριονιού ΒΙΟΤΟΡ.

Για να διατηρείται η ΑΣΦΑΛΕΙΑ και η ΑΞΙΟΠΙΣΤΙΑ του προϊόντος, οι εργασίες επισκευής, καθώς και οποιαδήποτε άλλη εργασία συντήρησης ή ρύθμισης, θα πρέπει να εκτελούνται σε εξουσιοδοτημένα κέντρα εξυπηρέτησης της Makita, και πάντοτε με τη χρήση ανταλλακτικών της Makita.

## ΑΞΕΣΟΥΡΑ

#### ΠΡΟΣΟΧΗ:

- Συνιστάται η χρήση των παρακάτω αξεσουάρ και εξαρτημάτων με το εργαλείο της Makita μόνο όπως καθορίζεται στο παρόν εγχειρίδιο. Αν χρησιμοποιήσετε άλλα αξεσουάρ ή εξαρτήματα μπορεί να παρουσιαστεί κίνδυνος για πρόκληση ατομικού τραυματισμού. Να χρησιμοποιείτε τα αξεσουάρ και τα εξαρτήματα μόνο για το σκοπό για τον οποίο προορίζονται.

Αν χρειάζεστε κάποια βοήθεια ή περισσότερες πληροφορίες σχετικά με τα αξεσουάρ αυτά, απευθυνθείτε στο πλησιέστερο κέντρο εξυπηρέτησης της Makita.

- Αλυσίδα πριονιού
- Θήκη
- Πλήρες οδηγός αλυσίδας
- Μετρητής αλυσίδας
- Στρογγυλή λίμα 4,5 mm
- Επίπεδη λίμα
- Στήριγμα λίμας με λίμα 4,5 mm
- Λαβή λίμας
- Λάδι για αλυσοπρίονα 1 I ΒΙΟΤΟΡ
- Λάδι για αλυσοπρίονα 5 I ΒΙΟΤΟΡ
- Γράσο πολλών χρήσεων
- Γρασαδόρος

**ENGLISH****EU Conformity Declaration**

The undersigned, Kanzaki, as authorized by, declare that the MAKITA machines,

**Type:**  
211

**EU model identification No.:**

UC3020A, UC3520A, UC4020A: M6 05 10 24243 064

complies with the standard safety and health requirements of the pertinent EU guidelines:

EU machinery guideline 98/37/EC, EU EMC guideline 89/336/EEC (amended by 91/263/EEC, 92/31/EEC and 93/68/EEC), Noise emission 2000/14/EG.

The requirements of the above EU guidelines were implemented chiefly on the basis of the following standards: EN50144-2-13, EN 55014, EN 55014-2, EN60555-T3, -T3/A1, EN 61000-3-2. The conformity assessment procedure 2000/14/EG was performed per Annex V. The measured sound power level (Lwa) is 100 dB(A). The guaranteed sound power level (Ld) is 101 dB(A). The EU Type-Examination per 98/37/EG was performed by: TÜV Product Service GmbH, Zertifizierungsstelle, Ridlerstraße 31, D-80339 München.

**FRANÇAIS****Déclaration de conformité U.E.**

Le soussigné, Kanzaki, tel qu'autorisé, déclare que les outils MAKITA,

**Type :**  
211

**Num. d'identification de modèle U.E.:**

UC3020A, UC3520A, UC4020A: M6 05 10 24243 064

sont conformes aux normes et exigences en matière de sécurité des directives concernées de l'U.E. :

Guide de machinerie U.E. 98/37/CE, guide U.E. EMC 89/336/CEE (amendé par 91/263/CEE, 92/31/CEE et 93/68/CEE), émission sonore 2000/14/EG.

Les exigences des directives U.E. ci-dessus ont été appliquées principalement sur la base des normes suivantes : EN50144-2-13, EN55014, EN 55014-2, EN60555-T3, -T3/A1 et EN 61000-3-2. La procédure d'évaluation de la conformité à 2000/14/EG a été exécutée conformément à l'Annexe V. Le niveau de puissance sonore (Lwa) mesuré est 100 dB(A). Le niveau de puissance sonore (Ld) garanti est 101 dB(A). L'examen U.E. de type 98/37/EG a été exécuté par : TÜV Product Service GmbH, Zertifizierungsstelle, Ridlerstraße 31, D-80339 München.

*Yasuhiko Kanzaki* **CE 2005**



Director	Amministratore	Directeur
Directeur	Direktor	Director
Director	Direktor	Direktor
Johtaja	Direktör	Διευθυντής

**MAKITA INTERNATIONAL EUROPE LTD.**

Michigan Drive, Tongwell, Milton Keynes,  
Bucks MK15 8JD, ENGLAND

Responsible manufacturer:	Produttore responsabile:
Fabricant responsable :	Verantwoordelijke fabrikant:
Verantwortlicher Hersteller:	Fabricante responsable:
Fabricante responsável:	Ansvarlig produsent:
Ansvarlig fabrikant:	Vastaava valmistaja:
Ansvarlig tillverkare:	Υπεύθυνος κατασκευαστής:



## DEUTSCH

### EU-Konformitätserklärung

Der Unterzeichnende, Kanzaki, bevollmächtigt durch MAKITA, erklärt, dass die Geräte der Marke MAKITA,

**Typ:**  
211

#### EU-Baumusterprüfbescheinigungs-Nr.:

UC3020A, UC3520A, UC4020A: M6 05 10 24243 064

den grundlegenden Sicherheits- und Gesundheitsanforderungen der einschlägigen EU-Richtlinien entsprechen:

EU-Maschinenrichtlinie 98/37/EG, EU-EMV-Richtlinie 89/336/EWG (geändert durch 91/263/EWG, 92/31/EWG und 93/68/EWG), Geräuschemission 2000/14/EG.

Zur sachgerechten Umsetzung der Anforderungen dieser EU-Richtlinien wurden maßgeblich folgende Normen herangezogen: EN50144-2-13, EN 55014, EN 55014-2, EN 60555-T3, -T3/A1, EN 61000-3-2. Das Verfahren zur Konformitätsbewertung 2000/14/EG erfolgte nach Anhang V. Der gemessene Schalleistungspegel (Lwa) beträgt 100 dB(A). Der garantierte Schalleistungspegel (Ld) beträgt 101 dB(A). Die EU-Baumusterprüfung nach 98/37/EG wurde durchgeführt von: TÜV Product Service GmbH, Zertifizierungsstelle, Ridlerstraße 31, D-80339 München.

## ITALIANO

### Dichiarazione di conformità UE

Il sottoscritto Yaruhiko Kanzaki, debitamente autorizzato, dichiara che gli utensili MAKITA,

**Tipo:**  
211

#### N. identificativo modello europeo:

UC3020A, UC3520A, UC4020A: M6 05 10 24243 064

sono conformi ai requisiti standard di sicurezza e salvaguardia della salute delle pertinenti direttive europee:

Direttiva macchine 98/37/EC, Direttiva EMC 89/336/EEC (modificata da 91/263/EEC, 92/31/EEC e 93/68/EEC), Direttiva sulle emissioni sonore 2000/14/EG.

I requisiti delle sopraindicate direttive europee sono stati implementati particolarmente in base ai seguenti standard: EN50144-2-13, EN 55014, EN 55014-2, EN60555-T3, -T3/A1, EN 61000-3-2. Il procedimento di verifica della conformità a 2000/14/EG è stato eseguito come specificato nell'Allegato V. Il livello di potenza sonora misurato (Lwa) è 100 dB(A). Il livello di potenza sonora garantito (Ld) è 101 dB(A). L'Attestato di certificazione UE ai sensi di 98/37/EG è stato redatto da: TÜV Product Service GmbH, Zertifizierungsstelle, Ridlerstraße 31, D-80339 München.

Yaruhiko Kanzaki **CE 2005**



Director	Amministratore	Directeur
Directeur	Direktor	Director
Director	Direktor	Direktør
Johtaja	Direktör	Διευθυντής

### MAKITA INTERNATIONAL EUROPE LTD.

Michigan Drive, Tongwell, Milton Keynes,  
Bucks MK15 8JD, ENGLAND

Responsible manufacturer:	Produttore responsabile:
Fabricant responsable :	Verantwoordelijke fabrikant:
Verantwortlicher Hersteller:	Fabricante responsable:
Fabricante responsável:	Ansvarelig produsent:
Ansvarelig fabrikant:	Vastaava valmistaja:
Ansvarelig tillverkare:	Υπεύθυνος κατασκευαστής:

## NEDERLANDS

### EU-verklaring van conformiteit

Ondergetekende, Kanzaki, als wettelijk vertegenwoordiger, verklaard dat de MAKITA-machines:

**Type:**

211

**EU-modelidentificatienummer:**

UC3020A, UC3520A, UC4020A: M6 05 10 24243 064

voldoet aan de standaard veiligheids- en gezondheidsvereisten van de toepasselijke EU-richtlijnen:

Europese machinerichtlijn 98/37/EC, Europese EMC-richtlijn 89/336/EEC (gewijzigd door 91/263/EEC, 92/31/EEC en 93/68/EEC), geluidsemisatie 2000/14/EG.

De vereisten van de bovenvermelde EU-richtlijnen werden hoofdzakelijk geïmplementeerd op grond van de volgende normen: EN50144-2-13, EN 55014, EN 55014-2, EN60555-T3, -T3/A1, EN 61000-3-2. De conformiteit-beoordelingsprocedure 2000/14/EG werd uitgevoerd volgens Annex V. Het gemeten geluidsvermogeniveau (Lwa) is 100 dB(A). Het gegarandeerde geluidsvermogeniveau (Ld) is 101 dB(A). Het EU-type-examen volgens 98/37/EG werd uitgevoerd door: TÜV Product Service GmbH, Zertifizierungsstelle, Ridlerstraße 31, D-80339 München, Duitsland.

## ESPAÑOL

### Declaración de conformidad de la UE

El abajo firmante, Kanzaki, debidamente autorizado, declara que las máquinas MAKITA,

**Tipo:**

211

**Nº de identificación de modelo de UE:**

UC3020A, UC3520A, UC4020A: M6 05 10 24243 064

cumple con los requisitos estándar de seguridad e higiene de las directivas de la UE pertinentes:

directiva de la UE sobre maquinaria 98/37/EC, directiva EMC de la UE 89/336/EEC (corregida por las directivas 91/263/EEC, 92/31/EEC y 93/68/EEC), directiva sobre emisión de ruidos 2000/14/EG.

Los requisitos de las directivas de la UE anteriores se implementaron principalmente según los siguientes estándares: EN50144-2-13, EN 55014, EN 55014-2, EN60555-T3, -T3/A1, EN 61000-3-2. El procedimiento de evaluación de conformidad 2000/14/EG se realizó según Anexo V. El nivel de potencia sonora medido (Lwa) es de 100 dB(A). El nivel de potencia sonora garantizado (Ld) es de 101 dB(A). El examen CE de tipo según 98/37/EG fue realizado por: TÜV Product Service GmbH, Zertifizierungsstelle, Ridlerstraße 31, D-80339 München.

Yasuhiko Kanzaki **CE 2005**

Director	Amministratore	Directeur
Directeur	Direktor	Director
Director	Direktor	Direktor
Johtaja	Direktör	Διευθυντής

### MAKITA INTERNATIONAL EUROPE LTD.

Michigan Drive, Tongwell, Milton Keynes,  
Bucks MK15 8JD, ENGLAND

Responsible manufacturer:	Produttore responsabile:
Fabricant responsable :	Verantwoordelijke fabrikant:
Verantwortlicher Hersteller:	Fabricante responsable:
Fabricante responsável::	Ansvarlig produsent:
Ansvarlig fabrikant:	Vastaava valmistaja:
Ansvarlig tillverkare:	Υπεύθυνος κατασκευαστής:

## PORTUGUÊS

### Declaração de conformidade da UE

O abaixo-assinado Kanzaki, assim autorizado, declara que as máquinas MAKITA,

#### Tipo:

211

#### N.º de identificação do modelo na UE:

UC3020A, UC3520A, UC4020A: M6 05 10 24243 064

está em conformidade com os requisitos de segurança e saúde das linhas orientadoras pertinentes da UE:

Directrizes para máquinas da UE 98/37/EC, directriz da UE EMC 89/336/EEC (corrigida pela 91/263/EEC, 92/31/EEC e 93/68/EEC), Emissão de ruído 2000/14/EG.

Os requisitos das directrizes da UE acima mencionadas foram implementadas com base nas seguintes normas: EN50144-2-13, EN 55014, EN 55014-2, EN60555-T3, -T3/A1, EN 61000-3-2. O procedimento de avaliação da conformidade 2000/14/EG foi efectuado pelo Anexo V. O nível de potência sonora medido (L<sub>wa</sub>) é de 100 dB(A). O nível de potência sonora garantida (L<sub>d</sub>) é de 101 dB(A). A avaliação do tipo UE de acordo com a 98/37/EG foi efectuada por: TÜV Product Service GmbH, Zertifizierungsstelle, Ridlerstraße 31, D-80339 München.

## DANSK

### Erklæring om overholdelse af EU-standarder

Undertegnede, Kanzaki, som autoriseret heraf, erklærer, at MAKITA-maskiner af

#### Type:

211

#### EU-model-id-nummer:

UC3020A, UC3520A, UC4020A: M6 05 10 24243 064

overholder standardkravene til sikkerhed og sundhed i de gældende EU-retningslinjer:

EU-maskindirektivet 98/37/EØF, EU-direktivet om elektromagnetisk kompatibilitet 89/336/EØF (ændret i 91/263/EØF, 92/31/EØF og 93/68/EØF), støjdirektivet 2000/14/EØF.

Kravene i ovenstående EU-direktiver er hovedsageligt implementeret på basis af følgende standarder: EN50144-2-13, EN 55014, EN 55014-2, EN60555-T3, -T3/A1, EN 61000-3-2. Vurderingsproceduren for overholdelse af 2000/14/EØF er udført i henhold til Annex V. Det målte niveau for lyd kraft (L<sub>wa</sub>) er 100 dB(A). Det garanterede niveau for lyd kraft (L<sub>d</sub>) er 101 dB(A). EU-typeundersøgelsen i henhold til 98/37/EØF er udført af: TÜV Product Service GmbH, Zertifizierungsstelle, Ridlerstraße 31, D-80339 München, Tyskland.

Yasuhiko Kanzaki **CE 2005**

Director	Amministratore	Directeur
Directeur	Direktor	Director
Director	Direktor	Direktor
Johtaja	Direktör	Διευθυντής

### MAKITA INTERNATIONAL EUROPE LTD.

Michigan Drive, Tongwell, Milton Keynes,  
Bucks MK15 8JD, ENGLAND

Responsible manufacturer:	Produttore responsabile:
Fabricant responsable :	Verantwoordelijke fabrikant:
Verantwortlicher Hersteller:	Fabricante responsable:
Fabricante responsável::	Ansvarlig produsent:
Ansvarlig fabrikant:	Vastaava valmistaja:
Ansvarlig tillverkare:	Υπεύθυνος κατασκευαστής:

## SVENSKA

### Konformitetsdeklaration enligt EU

Undertecknad, Kanzaki, deklarerar på uppdrag av MAKITA att maskinen,

**Typ:**

211

**EU-modellnr:**

UC3020A, UC3520A, UC4020A: M6 05 10 24243 064

uppfyller standarder för säkerhet och hälsa enligt gällande EU-riktlinjer:

EUs riktlinjer för maskiner 98/37/EC, EUs EMC-riktlinjer 89/336/EEC (enligt tillägg 91/263/EEC, 92/31/EEC och 93/68/EEC), Bulleremissioner 2000/14/EG.

Kraven enligt ovanstående EU-riktlinjer implementerades i huvudsak enligt följande standarder: EN50144-2-13, EN 55014, EN 55014-2, EN60555-T3, -T3/A1, EN 61000-3-2. Konformitetsgodkännandet enligt 2000/14/EG har utförts av Annex V. Uppmått bullernivå (Lwa) är 100 dB(A). Den garanterade ljudtrycksnivån är (Ld) är 101 dB (A). EU Typgodkännande enligt 98/37/EG utfördes av: TÜV Product Service GmbH, Zertifizierungsstelle, Ridlerstraße 31, D-80339 München, Tyskland.

## NORSK

### EU-samsvarserklæring

Den undertegnende, Kanzaki, med fullmakt fra , erklærer at apparatene til merket MAKITA,

**Type:**

211

**EU-modellidentifikasjonsnr.:**

UC3020A, UC3520A, UC4020A: M6 05 10 24243 064

samsvarer med de grunnleggende sikkerhets- og helsekravene i de aktuelle EU-direktivene:

EUs maskindirektiv 98/37/EF, EU EMC-direktiv 89/336/EØS (med tilføyelser 91/263/EØS, 92/31/EØS og 93/68/EØS), støjemisjon 2000/14/EF.

Kravene i ovennevnte EU-direktiver er blitt implementert hovedsakelig på grunnlag av følgende standarder: EN50144-2-13, EN 55014, EN 55014-2, EN60555-T3, -T3/A1, EN 61000-3-2. Samsvarsvurderingen 2000/14/EF ble utført jf. vedlegg V. Det målte lydeffektnivået (Lwa) er på 100 dB(A). Det garanterte lydeffektnivået (Ld) er på 101 dB(A). EU-typetesten ble utført jf. 98/37/EF av: TÜV Product Service GmbH, Zertifizierungsstelle, Ridlerstraße 31, D-80339 München.

Yasuhiko Kanzaki **CE 2005**



Director	Amministratore	Directeur
Directeur	Direktor	Director
Director	Direktor	Direktor
Johtaja	Direktör	Διευθυντής

### MAKITA INTERNATIONAL EUROPE LTD.

Michigan Drive, Tongwell, Milton Keynes,  
Bucks MK15 8JD, ENGLAND

Responsible manufacturer:	Produttore responsabile:
Fabricant responsable :	Verantwoordelijke fabrikant:
Verantwortlicher Hersteller:	Fabricante responsable:
Fabricante responsável:	Ansvarelig produsent:
Ansvarelig fabrikant:	Vastaava valmistaja:
Ansvarelig tillverkare:	Υπεύθυνος κατασκευαστής:

**SUOMI****Vaatimustenmukaisuusilmoitus**

MAKITAN valtuutettu edustaja Kanzaki vakuuttaa, että MAKITA-koneet

**Tyyppi:**

211

**EU-mallinumero:**

UC3020A, UC3520A, UC4020A: M6 05 10 24243 064

täyttävät seuraavien EU-määräysten turvallisuusvaatimukset:

EU-konedirektiivi 98/37/EY, EMC-direktiivi 89/336/ETY (91/263/ETY, 92/31/ETY ja 93/68/ETY), meludirektiivi 2000/14/EY.

Edellä mainittujen direktiivien vaatimukset on toteutettu pääasiassa seuraavien standardien perusteella: EN50144-2-13, EN 55014, EN 55014-2, EN60555-T3, -T3/A1, EN 61000-3-2. Vaatimustenmukaisuusarvointi 2000/14/EY tehtiin liitteen V mukaisesti. Mitattu äänen tehotaso (Lwa) on 100 dB (A). Taattu äänen tehotaso (Ld) on 101 dB (A). EU:n edellyttämän direktiivin 98/37/EY mukaisen tyyppikokeen suorittaja: TÜV Product Service GmbH, Zertifizierungsstelle, Ridlerstraße 31, D-80339, München.

**ΕΛΛΗΝΙΚΑ****Δήλωση συμμόρφωσης ΕΥ**

Ο υπογεγραμμένος, Kanzaki, όπως έλαβε εξουσιοδότηση, δηλώνει ότι τα μηχανήματα της MAKITA,

**Τύπος:**

211

**Αριθμός αναγνώρισης μοντέλου ΕΕ:**

UC3020A, UC3520A, UC4020A: M6 05 10 24243 064

συμμορφώνονται με τις τυπικές απαιτήσεις ασφάλειας και υγείας των σχετικών κατευθυντήριων οδηγιών της ΕΕ:

την κατευθυντήρια οδηγία της ΕΕ για μηχανήματα 98/37/ΕΚ, την κατευθυντήρια οδηγία της ΕΕ για ηλεκτρομαγνητική συμμόρφωση 89/336/ΕΟΚ (τροποποιημένη από 91/263/ΕΟΚ, 92/31/ΕΟΚ και 93/68/ΕΟΚ), τις εκπομπές θορύβου 2000/14/ΕΓ.

Οι απαιτήσεις των παραπάνω κατευθυντήριων οδηγιών της ΕΕ εφαρμόστηκαν κυρίως με βάση τα ακόλουθα πρότυπα: EN50144-2-13, EN 55014, EN 55014-2, EN60555-T3, -T3/A1, EN 61000-3-2. Η διαδικασία αξιολόγησης συμμόρφωσης 2000/14/ΕΓ εκτελέστηκε σύμφωνα με το Παράρτημα V. Το μετρούμενο επίπεδο ηχητικής ισχύς (Lwa) είναι 100 dB(A). Το εγγυημένο επίπεδο ηχητικής ισχύς (Ld) είναι 101dB(A). Η εξέταση τύπου ΕΕ σύμφωνα με το 98/37/ΕΓ εκτελέστηκε από την: TÜV Product Service GmbH, Zertifizierungsstelle, Ridlerstraße 31, D-80339 München.

Yasuhiko Kanzaki **CE 2005**


Director	Amministratore	Directeur
Directeur	Direktor	Director
Director	Direktor	Direktor
Johtaja	Direktör	Διευθυντής

**MAKITA INTERNATIONAL EUROPE LTD.**

Michigan Drive, Tongwell, Milton Keynes,  
Bucks MK15 8JD, ENGLAND

Responsible manufacturer:	Produttore responsabile:
Fabricant responsable :	Verantwoordelijke fabrikant:
Verantwortlicher Hersteller:	Fabricante responsable:
Fabricante responsable::	Ansvarlig produsent:
Ansvarlig fabrikant:	Vastaava valmistaja:
Ansvarig tillverkare:	Υπεύθυνος κατασκευαστής:





**Makita Corporation**  
**Anjo, Aichi, Japan**

884647-993



## Free Manuals Download Website

<http://myh66.com>

<http://usermanuals.us>

<http://www.somanuals.com>

<http://www.4manuals.cc>

<http://www.manual-lib.com>

<http://www.404manual.com>

<http://www.luxmanual.com>

<http://aubethermostatmanual.com>

Golf course search by state

<http://golfingnear.com>

Email search by domain

<http://emailbydomain.com>

Auto manuals search

<http://auto.somanuals.com>

TV manuals search

<http://tv.somanuals.com>