

Makita

Battery-Powered Driver Drill

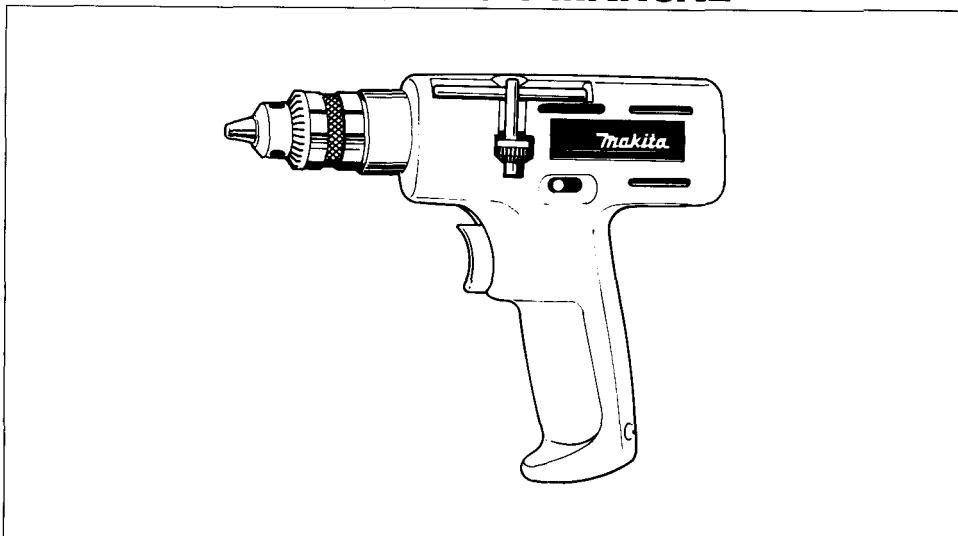
Equipped with Electric Brake

10 mm (3/8'') MODEL 601D

10 mm (3/8'') MODEL 601DST

With Battery & Charger

INSTRUCTION MANUAL



SPECIFICATIONS

Capacities		No load speed (RPM)	Dimensions (L x W x H)	Net weight
Steel / Wood	Wood screw			
10 mm (3/8'')	4.5 mm x 20 mm (3/16'' x 3/4'')	0 - 750	198 mm x 46 mm x 156 mm (7-13/16'' x 1-13/16'' x 6-5/32'')	0.7 kg (1.5 lbs)

Battery 122	Model DC122 Charger		
Voltage	Input	Output	Charging time
12V	A.C. 115V 60Hz	D.C. 12V	Approx. 1 Hr.

* Manufacturer reserves the right to change specifications without notice.
 * Note: Specifications may differ from country to country.

 CAUTION	Makita battery 122 is a lead-acid battery. Be sure to follow the following instructions to charge it.
	1) <u>Always charge it immediately after purchase.</u>
	2) <u>Always recharge it after use.</u>
	3) <u>Be sure to charge it for approx. one week every six months, when not using it for long periods.</u> <u>If left uncharged, it may become unchargeable.</u>

WARNING:

- Read the important safety instructions.
- For your personal safety, READ and UNDERSTAND before using.
- Use only the Makita battery 121 or 122.

SAVE THESE INSTRUCTIONS FOR FUTURE REFERENCE.

IMPORTANT SAFETY INSTRUCTIONS

(For All Tools)

WARNING: WHEN USING ELECTRIC TOOLS, BASIC SAFETY PRECAUTIONS SHOULD ALWAYS BE FOLLOWED TO REDUCE THE RISK OF FIRE, ELECTRIC SHOCK, AND PERSONAL INJURY, INCLUDING THE FOLLOWING:

READ ALL INSTRUCTIONS.

- 1. KEEP WORK AREA CLEAN.** Cluttered areas and benches invite injuries.
- 2. CONSIDER WORK AREA ENVIRONMENT.** Don't use power tools in damp or wet locations. Keep work area well lit. Don't expose power tools to rain. Don't use tool in presence of flammable liquids or gases.
- 3. KEEP CHILDREN AWAY.** All visitors should be kept away from work area. Don't let visitors contact tool or extension cord.
- 4. STORE IDLE TOOLS.** When not in use, tools should be stored in dry, and high or locked-up place — out of reach of children.
- 5. DON'T FORCE TOOL.** It will do the job better and safer at the rate for which it was intended.
- 6. USE RIGHT TOOL.** Don't force small tool or attachment to do the job of a heavy-duty tool. Don't use tool for purpose not intended; for example, don't use circular saw for cutting tree limbs or logs.
- 7. DRESS PROPERLY.** Don't wear loose clothing or jewelry. They can be caught in moving parts. Rubber gloves and non-skid footwear are recommended when working outdoors. Wear protective hair covering to contain long hair.
- 8. USE SAFETY GLASSES.** Also use face or dust mask if cutting operation is dusty.
- 9. DON'T ABUSE CORD.** Never carry tool by cord or yank it to disconnect from receptacle. Keep cord from heat, oil, and sharp edges.
- 10. SECURE WORK.** Use clamps or a vise to hold work. It's safer than using your hand and it frees both hands to operate tool.
- 11. DON'T OVERREACH.** Keep proper footing and balance at all times.
- 12. MAINTAIN TOOLS WITH CARE.** Keep tools sharp and clean for better and safer performance. Follow instructions for lubricating and changing accessories. Inspect tool cords periodically and if damaged, have repaired by authorized service facility. Inspect extension cords periodically and replace if damaged. Keep handles dry, clean, and free from oil and grease.
- 13. DISCONNECT TOOLS.** When not in use, before servicing, and when changing accessories, such as blades, bits, cutters.

14. **REMOVE ADJUSTING KEYS AND WRENCHES.** Form habit of checking to see that keys and adjusting wrenches are removed from tool before turning it on.
15. **AVOID UNINTENTIONAL STARTING.** Don't carry tool with finger on switch. Be sure switch is OFF when plugging in.
16. **OUTDOOR USE EXTENSION CORDS.** When tool is used outdoors, use only extension cords intended for use outdoors and so marked.
17. **STAY ALERT.** Watch what you are doing, use common sense. Don't operate tool when you are tired.
18. **CHECK DAMAGED PARTS.** Before further use of the tool, a guard or other part that is damaged should be carefully checked to determine that it will operate properly and perform its intended function. Check for alignment of moving parts, binding of moving parts, breakage of parts, mounting, and any other conditions that may affect its operation. A guard or other part that is damaged should be properly repaired or replaced by an authorized service center unless otherwise indicated elsewhere in this instruction manual. Have defective switches replaced by authorized service center. Don't use tool if switch does not turn it on and off.
19. **GUARD AGAINST ELECTRIC SHOCK.** Prevent body contact with grounded surfaces. For example; pipes, radiators, ranges, refrigerator enclosures.
20. **REPLACEMENT PARTS.** When servicing, use only identical replacement parts.
21. **POLARIZED PLUGS.** To reduce the risk of electric shock, this equipment has a polarized plug (one blade is wider than the other). This plug will fit in a polarized outlet only one way. If the plug does not fit fully in the outlet, reverse the plug. If it still does not fit, contact a qualified electrician to install the proper outlet. Do not change the plug in any way.

VOLTAGE WARNING: Before connecting the tool to a power source (receptacle, outlet, etc.) be sure the voltage supplied is the same as that specified on the nameplate of the tool. A power source with voltage greater than that specified for the tool can result in **SERIOUS INJURY** to the user — as well as damage to the tool. If in doubt, **DO NOT PLUG IN THE TOOL.** Using a power source with voltage less than the nameplate rating is harmful to the motor.

IMPORTANT SAFETY INSTRUCTIONS FOR BATTERY & CHARGER

1. **SAVE THESE INSTRUCTIONS** – This manual contains important safety and operating instructions for battery charger.
2. Before using battery charger, read all instructions and cautionary markings on (1) battery charger, (2) battery, and (3) product using battery.
3. **CAUTION** – To reduce risk of injury, charge only MAKITA battery 121 or 122. Other types of batteries may burst causing personal injury and damage. Non-rechargeable batteries can not be charged with this battery charger.
4. Do not expose charger to rain or snow.
5. Use of an attachment not recommended or sold by the battery charger manufacturer may result in a risk of fire, electric shock, or injury to persons.
6. To reduce risk of damage to electric plug and cord, pull by plug rather than cord when disconnecting charger.
7. Make sure cord is located so that it will not be stepped on, tripped over, or otherwise subjected to damage or stress.
8. An extension cord should not be used unless absolutely necessary. Use of improper extension cord could result in a risk of fire and electric shock. If extension cord must be used, make sure:
 - a. That pins on plug of extension cord are the same number, size, and shape as those of plug on charger;
 - b. That extension cord is properly wired and in good electrical condition; and
 - c. That wire size is at least as large as the one specified in the table below.

TABLE 1
RECOMMENDED MINIMUM AWG SIZE FOR
EXTENSION CORDS FOR BATTERY CHARGERS

Length of Cord (Feet)	25	50	100	150
AWG Size of Cord	18	18	18	16

9. Do not operate charger with damaged cord or plug – replace them immediately.
10. Do not operate charger if it has received a sharp blow, been dropped, or otherwise damaged in any way; take it to a qualified serviceman.
11. Do not disassemble charger or battery; take it to a qualified serviceman when service or repair is required. Incorrect reassembly may result in a risk of electric shock or fire.
12. To reduce risk of electric shock, unplug charger from outlet before attempting any maintenance or cleaning. Turning off controls will not reduce this risk.

ADDITIONAL SAFETY RULES FOR BATTERY

1. Always charge the Makita battery 122 immediately after purchase.
2. Always recharge the Makita battery 122 after use.
3. Be sure to charge the Makita battery 122 for approx. one week every six months, when not using it for long periods. If left uncharged, it may become unchargeable.
4. Use only the Makita charger Model DC122 or DC121 specified to charge the Makita battery 122.
5. Do not charge inside a box or container of any kind.
6. Do not short the battery:
 - 1) Do not touch the terminals with any conductive material.
 - 2) Avoid storing battery in a container with other metal objects such as nails, coins, etc.
 - 3) Do not expose battery to water or rain.
 - 4) Do not cut the adaptor cord.

A battery short can cause a large current flow, overheating, possible burns and even a breakdown.
7. Do not leave the battery exposed to direct sunlight. Do not store the battery in locations where the temperature may reach or exceed 40°C (104°F).
8. The Makita battery 122 contains a strong electrolyte (dilute sulfuric acid). Do not apply undue force to the battery, drop or strike it. Do not attempt to disassemble or make modifications to the battery.
9. If the battery breaks open and electrolyte (dilute sulfuric acid) contacts skin or clothing, wash immediately with running water. If electrolyte gets into your eyes, rinse them out with clear water and seek medical attention right away.
10. As the battery service life ends, its capacity and operation time decrease. Replace it with a new one.
11. Never expose the battery to flames, fire or great heat. Breakage may cause release of injurious material.

ADDITIONAL SAFETY RULES FOR CHARGER

- 1. The Makita charger Model DC122 is specifically designed to charge only the Makita battery 121 or 122. Do not attempt to charge any other battery with this charger.**
- 2. Handle the charger carefully. Do not drop or strike it.**
- 3. Never carry the charger by cord or yank it to disconnect from receptacle.**
- 4. Keep cord from heat, oil, chemicals, and sharp edges.**
- 5. Use only a power source of the same voltage as indicated on the nameplate of the charger when charging.**
- 6. Do not attempt to use a step-up transformer, an engine generator or DC power receptacle.**
- 7. Charge the battery at a room temperature of 10°C (50°F) - 40°C (104°F).**
- 8. Do not charge in place exposed to direct sunlight.**
- 9. Do not allow the charger to get wet.**
- 10. Do not charge inside a box or container of any kind.**
- 11. Do not charge near volatile, flammable material such as gasoline, paint, gas, adhesive, etc.**
- 12. Do not charge on top of paper, carpet, vinyl sheeting, cloth materials, etc.**
- 13. Do not allow anything to cover or clog the charger vents. Do not attempt to insert anything into the vents.**
- 14. Do not charge in dusty place.**
- 15. Stop charging immediately if you notice anything abnormal. Ship or take the charger and the battery to your nearest Makita Service Center or Distributor for checking them.**
- 16. Do not attempt to disassemble or make modifications to the charger.**
- 17. Do not put any metal objects or foreign matter into the inlet of the charger. Short-circuit will occur, causing a burn injury and charger breakdown.**

ADDITIONAL SAFETY RULES FOR TOOL

- 1. This tool is specifically designed to drill in woods/metals or to drive wood screws. Do not use it for other purposes.**
- 2. Always be sure you have a firm footing.
Be sure no one is below when using the tool in high locations.**
- 3. Always secure small workpieces in a vise or similar hold-down device.**
- 4. Hold the tool firmly.**
- 5. Keep hands away from rotating parts.**
- 6. When drilling into walls, floors or wherever "live" electric wires may be encountered, DO NOT TOUCH ANY METAL PARTS OF THE TOOL!
Hold the tool only by the insulated grasping surfaces to prevent electric shock if you drill into a "live" wire.**
- 7. Do not leave the tool running. Operate the tool only when hand-held.**
- 8. Do not touch the drill bit or the workpiece immediately after operation; they may be extremely hot and could burn your skin.**

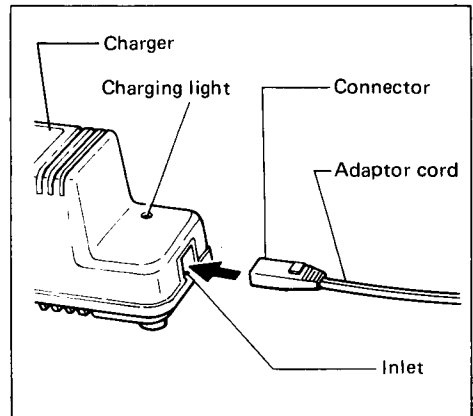
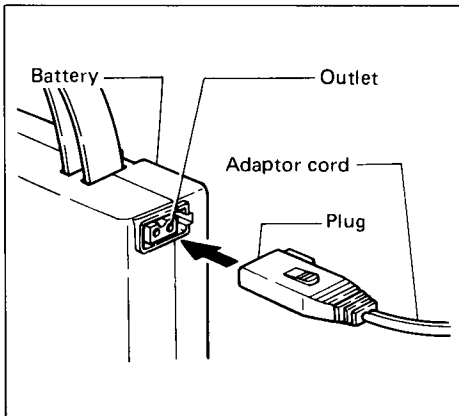
SAVE THESE INSTRUCTIONS.

Charging

Connect the battery to the charger using the adaptor cord. Then plug the charger into the power source. The charging light will illuminate and charging will begin. When the charging light goes out at a certain time, the charging is complete. Unplug the charger.

(Note: Refer to the table below for the charging time.)

Battery \ Charger	DC122	DC121
122	Approx. 1 hour	Approx. 2 hours
121	Approx. 2 hours	Approx. 4 hours



CAUTION:

- Always charge the Makita battery 122 immediately after purchase.
- Always recharge the Makita battery 122 after use.

If the Makita battery 122 has not been used for long periods, charge it for more than the time specified in the table above. (Example: If it has not been used for six months, charge it for approx. one week.) Charging continues even after the charging light goes out. If the battery is left uncharged for more than six months, it may become unchargeable. If the light does not come on within five minutes after you start the charging, the battery may be unchargeable. Ship or take the charger and the battery to your nearest Makita Service Center or Distributor for checking.

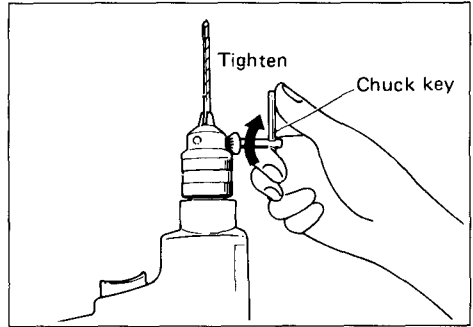
Installing or removing the drill bit

CAUTION:

Always be sure that the tool is switched off and the battery is disconnected from the tool before installing or removing the bit.

To install the bit, place it in the chuck as far as it will go. Tighten the chuck by hand. Place the chuck key in each of the three holes and tighten clockwise. Be sure to tighten all three chuck holes evenly.

To remove the bit, turn the chuck key counterclockwise in just one hole, then loosen the chuck by hand.



After using the chuck key, be sure to return it to the original position.

Switch action

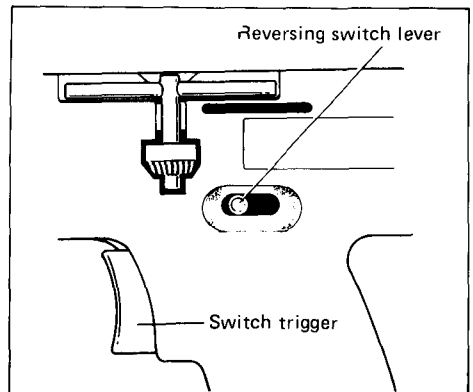
To start the tool, simply pull the trigger. Tool speed is increased by increasing pressure on the trigger. Release the trigger to stop.

CAUTION:

Before connecting the battery to the tool, always check to see that the switch trigger actuates properly and returns to the "OFF" position when released.

Reversing switch action

This tool has a reversing switch to change the direction of rotation. Move the reversing switch lever to the right for clockwise rotation or to the left for counterclockwise rotation.

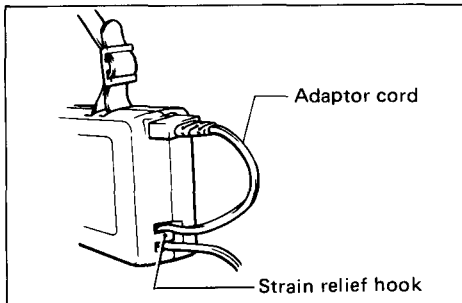
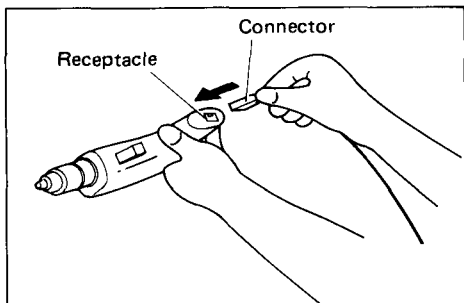


CAUTION:

- Always check the direction of rotation before operation.
- The reversing switch lever cannot be moved while the trigger is pulled.
- Use the reversing switch only after the tool comes to complete stop. Changing the direction of rotation before the tool stops may damage the tool.

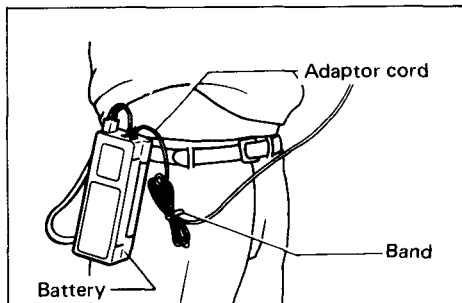
Connecting the battery to the tool

Connect the battery to the tool using the adaptor cord. To prevent the adaptor cord from being accidentally disconnected, hook the cord to the strain relief hook on the battery.



Carrying the battery

Hook the battery to your waist belt. If the adaptor cord is too long for your work, use the band provided to hold it when you coil it shorter.



Drilling operation

• Drilling in wood

When drilling in wood, best results are obtained with wood drills equipped with a guide screw. The guide screw makes drilling easier by pulling the bit into the workpiece.

• Drilling in metal

To prevent the bit from slipping when starting a hole, make an indentation with a center-punch and hammer at the point to be drilled. Place the point of the bit in the indentation and start drilling. Use a cutting lubricant when drilling metals. The exceptions are iron and brass which should be drilled dry.

CAUTION:

- Pressing excessively on the tool will not speed up the drilling. In fact, this excessive pressure will only serve to damage the tip of your bit, decrease the tool performance and shorten the service life of the tool.
- There is a tremendous force exerted on the tool/bit at the time of hole breakthrough. Hold the tool firmly and exert care when the bit begins to break through the workpiece.
- A stuck bit can be removed simply by setting the reversing switch to reverse rotation in order to back out. However, the tool may back out abruptly if you do not hold it firmly.
- Always secure small workpieces in a vise or similar hold-down device.

Screwdriving operation

Place the point of the driver bit in the screw head and apply pressure to the tool. Start the tool slowly and then increase the speed gradually. Release the switch trigger just as the screw bottoms out. The electric brake will then stop the tool immediately, preventing the screw and/or bit from being damaged.

When driving wood screws, predrill pilot holes to make driving easier and to prevent splitting of the workpiece. See the chart.

Nominal diameter of wood screw (mm)	Recommended size of pilot hole (mm)
3.1 (1/8")	2.0 – 2.2 (5/64" – 3/32")
3.5 (9/64")	2.2 – 2.5 (3/32" – 3/32")
3.8 (5/32")	2.5 – 2.8 (3/32" – 7/64")
4.5 (11/64")	2.9 – 3.2 (7/64" – 1/8")

NOTE:

Make sure that the driver bit is inserted straight in the screw head, or the screw and/or bit may be damaged.

Drilling and driving performance

The following reference table indicates the approximate drilling and driving capacities from a single charge.

Application	Diameter of hole	Sheet / Board	No. holes
Cold-rolled steel sheet or plate	3 mm (1/8")	1.6 mm (1/16")	Approx. 300
	10 mm (3/8")		Approx. 20
Aluminum sheet	3 mm (1/8")	2 mm (5/64")	Approx. 750
	10 mm (3/8")		Approx. 75
Lauan wood	9 mm (5/16")	30 mm (1-3/16")	Approx. 220

Application	Dimensions of wood screw	Workpiece	Fastenings
Wood screws	3.5 mm x 20 mm (1/8" x 3/4")	Lauan wood	Approx. 900 screws
	4.5 mm x 20 mm (3/16" x 3/4")		Approx. 540 screws

MAINTENANCE

CAUTION:

Always be sure that the tool is switched off and the battery is disconnected from the tool before attempting to perform inspection or maintenance.

Storage

- Do not clean the tool, charger and/or battery with benzine, thinner or cleaning chemicals. Cracks and discoloration may be caused.
- Do not store the tool, charger and/or battery in locations where the temperature may reach or exceed 40°C 140°F).

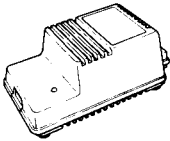
To maintain product SAFETY and RELIABILITY, repairs, maintenance or adjustment should be performed by Makita Authorized or Factory Service Centers, always using Makita replacement parts.

ACCESSORIES

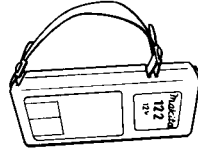
CAUTION:

These accessories or attachments are recommended for use with your Makita tool specified in this manual. The use of any other accessories or attachments might present a risk of injury to persons. The accessories or attachments should be used only in the proper and intended manner.

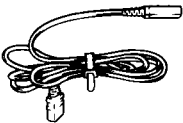
- **Charger**
Model DC122



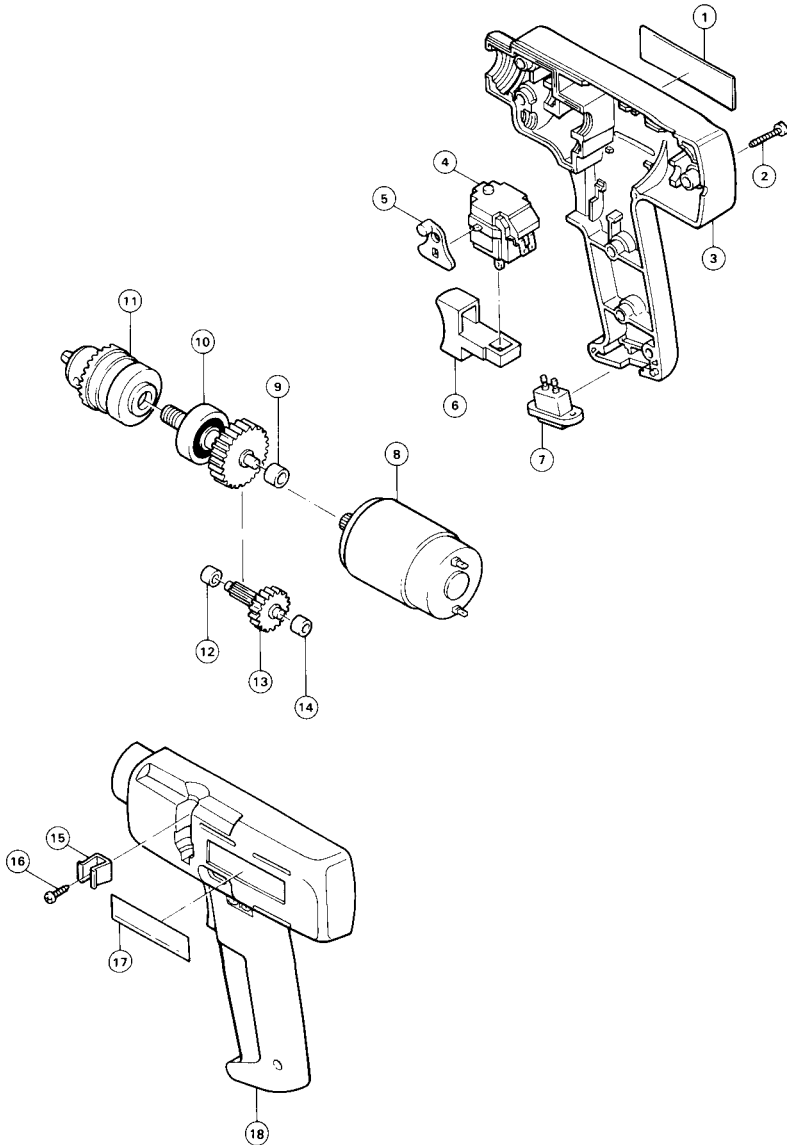
- **Battery 122**



- **Extension cord**



10 mm (3/8") BATTERY-POWERED DRIVER DRILL Model 601D



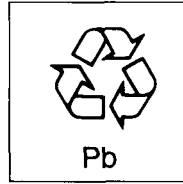
Note: The switch and other part configurations may differ from country to country.

ITEM NO.	NO. USED	DESCRIPTION	ITEM NO.	NO. USED	DESCRIPTION
MACHINE			MACHINE		
1	1	Name Plate	10	1	Gear Complete
2	5	Tapping Screw 4x20	11	1	Drill Chuck S10
3	1	Housing Set (With Item 18)	12	1	Plane Bearing 4
4	1	Switch	13	1	Gear Complete 11-45
5	1	Lever	14	1	Plane Bearing 4
6	1	Trigger	15	1	Holder
7	1	Inlet	16	1	Tapping Screw BT 3x10
8	1	Motor (D.C. 12 V.)	17	1	Makita Label
9	1	Plane Bearing 5	18	1	Housing Set (With Item 3)

Note: The switch and other part specifications may differ from country to country.

Recycling the battery

The only way to dispose of a Makita battery is to recycle it. The law prohibits any other method of disposal.



To recycle the battery:

- 1) Remove belt from the battery
- 2) Ship or take battery to your nearest Makita Factory Service Center or Distributor that sells Makita lead batteries.

(Call your nearest Makita Service Center or Distributor to determine the location that provides Makita lead battery recycling. See your local Yellow pages under "Tools - Electric". Please note that in some states a battery that has reached the end of life needs to be provided at the time you purchase a new lead battery or else a deposit will be charged on the purchase of the new lead battery.)

MAKITA LIMITED ONE YEAR WARRANTY

Warranty Policy

Every Makita tool is thoroughly inspected and tested before leaving the factory. It is warranted to be free of defects from workmanship and materials for the period of ONE YEAR from the date of original purchase. Should any trouble develop during this one-year period, return the COMPLETE tool, freight prepaid, to one of Makita's Factory or Authorized Service Centers. If inspection shows the trouble is caused by defective workmanship or material, Makita will repair (or at our option, replace) without charge.

This Warranty does not apply where:

- repairs have been made or attempted by others:
- repairs are required because of normal wear and tear:
- The tool has been abused, misused or improperly maintained;
- alterations have been made to the tool.
- The battery has not been charged immediately after purchase.

IN NO EVENT SHALL MAKITA BE LIABLE FOR ANY INDIRECT, INCIDENTAL OR CONSEQUENTIAL DAMAGES FROM THE SALE OR USE OF THE PRODUCT. THIS DISCLAIMER APPLIES BOTH DURING AND AFTER THE TERM OF THIS WARRANTY.

MAKITA DISCLAIMS LIABILITY FOR ANY IMPLIED WARRANTIES, INCLUDING IMPLIED WARRANTIES OF "MERCHANTABILITY" AND "FITNESS FOR A SPECIFIC PURPOSE," AFTER THE ONE-YEAR TERM OF THIS WARRANTY.

This Warranty gives you specific legal rights, and you may also have other rights which vary from state to state. Some states do not allow the exclusion or limitation of incidental or consequential damages, so the above limitation or exclusion may not apply to you. Some states do not allow limitation on how long an implied warranty lasts, so the above limitation may not apply to you.

Makita Corporation
 3-11-8, Sumiyoshi-cho,
 Anjo, Aichi 446 Japan

883996 - 983

PRINTED IN JAPAN
1995 - 5 - N

Free Manuals Download Website

<http://myh66.com>

<http://usermanuals.us>

<http://www.somanuals.com>

<http://www.4manuals.cc>

<http://www.manual-lib.com>

<http://www.404manual.com>

<http://www.luxmanual.com>

<http://aubethermostatmanual.com>

Golf course search by state

<http://golfingnear.com>

Email search by domain

<http://emailbydomain.com>

Auto manuals search

<http://auto.somanuals.com>

TV manuals search

<http://tv.somanuals.com>