



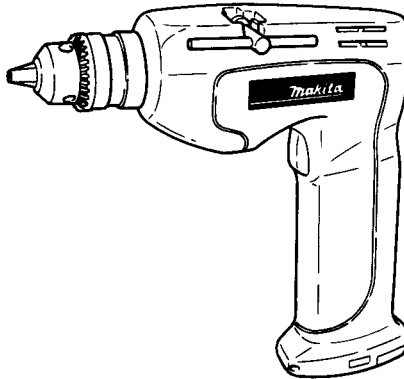
Cordless Drill

10 mm (3/8'') MODEL 6041D

10 mm (3/8'') MODEL 6041DW

With Quick Charger

INSTRUCTION MANUAL



SPECIFICATIONS

• Model 6041D

Capacities		No load speed (RPM)	Dimensions (L x W x H)	Net weight
Steel / Wood	Wood screw			
10 mm (3/8'')	4.5 mm x 20 mm (3/16'' x 3/4'')	450	201 mm x 48 mm x 180 mm (7-7/8'' x 1-7/8'' x 7-1/8'')	0.82 kg (1.8 lbs)

• Model DC4100A Quick Charger

Input	Output	Charging time
A.C. only 50 Hz — 60 Hz	D.C. 6.4 V.	Approx. 3 Hr.

* Manufacturer reserves the right to change specifications without notice.

* Note: Specifications may differ from country to country.

WARNING: For your personal safety, READ and UNDERSTAND before using.

SAVE THESE INSTRUCTIONS FOR FUTURE REFERENCE.

Download from www.Somanuals.com. All Manuals Search And Download.

IMPORTANT SAFETY INSTRUCTIONS

(For All Tools)

WARNING: WHEN USING ELECTRIC TOOLS, BASIC SAFETY PRECAUTIONS SHOULD ALWAYS BE FOLLOWED TO REDUCE THE RISK OF FIRE, ELECTRIC SHOCK, AND PERSONAL INJURY, INCLUDING THE FOLLOWING:

READ ALL INSTRUCTIONS.

- 1. KEEP WORK AREA CLEAN.** Cluttered areas and benches invite injuries.
- 2. CONSIDER WORK AREA ENVIRONMENT.** Don't use power tools in damp or wet locations. Keep work area well lit. Don't expose power tools to rain. Don't use tool in presence of flammable liquids or gases.
- 3. KEEP CHILDREN AWAY.** All visitors should be kept away from work area. Don't let visitors contact tool or extension cord.
- 4. STORE IDLE TOOLS.** When not in use, tools should be stored in dry, and high or locked-up place — out of reach of children.
- 5. DON'T FORCE TOOL.** It will do the job better and safer at the rate for which it was intended.
- 6. USE RIGHT TOOL.** Don't force small tool or attachment to do the job of a heavy-duty tool. Don't use tool for purpose not intended.
- 7. DRESS PROPERLY.** Don't wear loose clothing or jewelry. They can be caught in moving parts. Rubber gloves and non-skid footwear are recommended when working outdoors. Wear protective hair covering to contain long hair.
- 8. USE SAFETY GLASSES.** Also use face or dust mask if cutting operation is dusty.
- 9. DON'T ABUSE CORD.** Never carry tool by cord or yank it to disconnect from receptacle. Keep cord from heat, oil, and sharp edges.
- 10. SECURE WORK.** Use clamps or a vise to hold work. It's safer than using your hand and it frees both hands to operate tool.
- 11. DON'T OVERREACH.** Keep proper footing and balance at all times.
- 12. MAINTAIN TOOLS WITH CARE.** Keep tools sharp and clean for better and safer performance. Follow instructions for lubricating and changing accessories. Inspect tool cords periodically and if damaged, have repaired by authorized service facility. Inspect extension cords periodically and replace if damaged. Keep handles dry, clean, and free from oil and grease.
- 13. DISCONNECT TOOLS.** When not in use, before servicing, and when changing accessories, such as blades, bits, cutters.

14. **REMOVE ADJUSTING KEYS AND WRENCHES.** Form habit of checking to see that keys and adjusting wrenches are removed from tool before turning it on.
15. **AVOID UNINTENTIONAL STARTING.** Don't carry plugged-in tool with finger on switch. Be sure switch is OFF when plugging in.
16. **OUTDOOR USE EXTENSION CORDS.** When tool is used outdoors, use only extension cords intended for use outdoors and so marked.
17. **STAY ALERT.** Watch what you are doing, use common sense. Don't operate tool when you are tired.
18. **CHECK DAMAGED PARTS.** Before further use of the tool, a guard or other part that is damaged should be carefully checked to determine that it will operate properly and perform its intended function. Check for alignment of moving parts, binding of moving parts, breakage of parts, mounting, and any other conditions that may affect its operation. A guard or other part that is damaged should be properly repaired or replaced by an authorized service center unless otherwise indicated elsewhere in this instruction manual. Have defective switches replaced by authorized service center. Don't use tool if switch does not turn it on and off.
19. **GUARD AGAINST ELECTRIC SHOCK.** Prevent body contact with grounded surfaces. For example; pipes, radiators, ranges, refrigerator enclosures.
20. **REPLACEMENT PARTS.** When servicing, use only identical replacement parts.

VOLTAGE WARNING: Before connecting the tool to a power source (receptacle, outlet, etc.) be sure the voltage supplied is the same as that specified on the nameplate of the tool. A power source with voltage greater than that specified for the tool can result in **SERIOUS INJURY** to the user — as well as damage to the tool. If in doubt, **DO NOT PLUG IN THE TOOL.** Using a power source with voltage less than the nameplate rating is harmful to the motor.

IMPORTANT SAFETY INSTRUCTIONS

(FOR BATTERY CHARGER)

- 1. SAVE THESE INSTRUCTIONS** – This manual contains important safety and operating instructions for battery charger.
- 2. Before using battery charger, read all instructions and cautionary markings on (1) battery charger, (2) battery, and (3) product using battery.**
- 3. CAUTION** – To reduce risk of injury, charge only MAKITA type rechargeable batteries. Other types of batteries may burst causing personal injury and damage.
- 4. Do not expose charger to rain or snow.**
- 5. Use of an attachment not recommended or sold by the battery charger manufacturer may result in a risk of fire, electric shock, or injury to persons.**
- 6. To reduce risk of damage to electric plug and cord, pull by plug rather than cord when disconnecting charger.**
- 7. Make sure cord is located so that it will not be stepped on, tripped over, or otherwise subjected to damage or stress.**
- 8. Do not operate charger with damaged cord or plug – replace them immediately.**
- 9. Do not operate charger if it has received a sharp blow, been dropped, or otherwise damaged in any way; take it to a qualified serviceman.**
- 10. Do not disassemble charger or battery cartridge; take it to a qualified serviceman when service or repair is required. Incorrect reassembly may result in a risk of electric shock or fire.**
- 11. To reduce risk of electric shock, unplug charger from outlet before attempting any maintenance or cleaning. Turning off controls will not reduce this risk.**

SAVE THESE INSTRUCTIONS.

ADDITIONAL SAFETY RULES FOR CHARGER AND TOOL

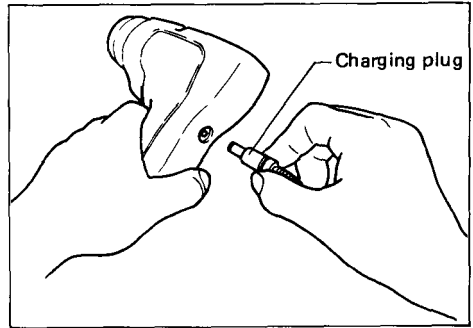
- 1. The Charger and the tool are specifically designed to work together. Do not attempt to charge any other cordless tool with this Charger. Do not attempt to charge the tool with any other charger.**
- 2. Do not charge the tool when temperature is BELOW 10°C (50°F) or ABOVE 45°C (113°F).**
- 3. Do not use charger in damp or wet locations.**
- 4. Do not attempt to use a step-up transformer, an engine generator or DC power receptacle.**
- 5. Do not store the tool in locations where the temperature may reach or exceed 50°C (122°F).**
- 6. Do not incinerate the tool even if it is severely damaged or is completely worn out. The tool can explode in a fire.**
- 7. Be aware that this tool is always in an operating condition, because it does not have to be plugged into an electrical outlet.**
- 8. Always be sure you have a firm footing.
Be sure no one is below when using the tool in high locations.**
- 9. Hold the tool firmly.**
- 10. Keep hands away from rotating parts.**
- 11. When drilling into walls, floors or wherever "live" electrical wires may be encountered, DO NOT TOUCH ANY METAL PARTS OF THE TOOL!
Hold the tool only by the plastic handle or plastic tool body to prevent electric shock if you drill into a "live" wire.**
- 12. Do not leave the tool running. Operate the tool only when hand-held.**
- 13. Do not touch the drill bit or the workpiece immediately after operation; they may be extremely hot and could burn your skin.**

Charging

Connect the charging plug to the charging connector, then plug in the charger to the power receptacle. Charging takes 3 hours.

CAUTION:

- The battery in your new tool is not fully charged. You will need to charge it before use.
- Do not operate the tool during charging.
- Overcharging more than 2 days considerably shortens the battery service life. Always unplug the charger after completing the charge.



Installing or removing driver bit

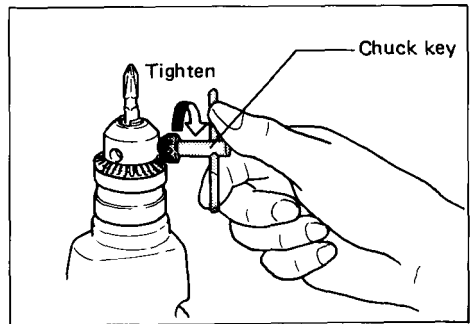
CAUTION:

When installing or removing the bit, be careful not to touch the trigger switch.

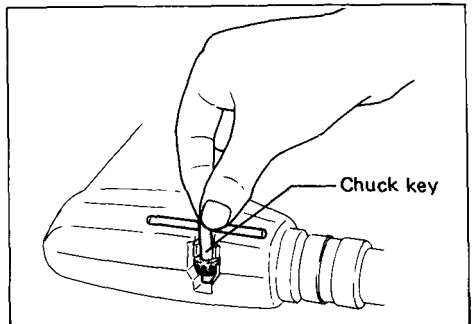
To install the bit, place it in the chuck as far as it will go. Tighten the chuck by hand. Place the chuck key in each of the three holes and tighten clockwise.

Be sure to tighten all three chuck holes evenly.

To remove the bit, turn the chuck key counterclockwise in just one hole, then loosen the chuck by hand.



After use, return the chuck key to the storage cavity on the tool.



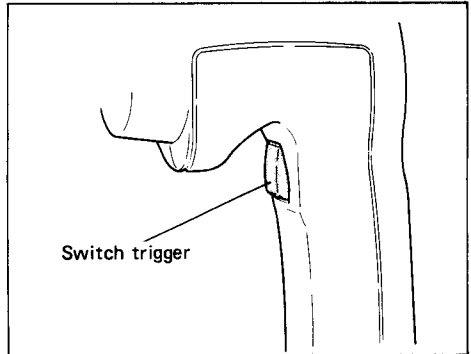
Holding tool

When drilling a large diameter hole, hold the tool firmly with both hands.

Switch action

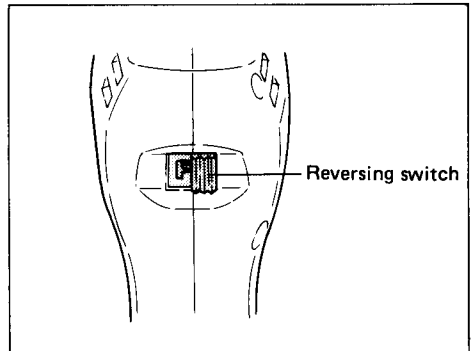
To start the tool, simply pull the trigger.

Release the trigger to stop.



Reversing switch action

This tool has a reversing switch to change the direction of rotation. Slide the reversing switch to the right for clockwise rotation or to the left for counterclockwise.



CAUTION :

- Always check the direction of rotation before operation.
- Use the reversing switch only when the tool comes to a complete stop. Changing the direction of rotation before the tool stops may ruin the tool.

Drilling operation

• Drilling in wood

When drilling in wood, best results are obtained with wood drills equipped with a guide screw. The guide screw makes drilling easier by pulling the bit into the workpiece.

• Drilling in metal

To prevent the bit from slipping when starting a hole, make an indentation with a center-punch and hammer at the point to be drilled. Place the point of the bit in the indentation and start drilling.

Use a cutting lubricant when drilling metals. The exceptions are iron and brass which should be drilled dry.

CAUTION:

- Pressing excessively on the tool will not speed up the drilling. In fact, this excessive pressure will only serve to damage the tip of your bit, decrease the tool performance and shorten the service life of the tool.
- There is a tremendous force exerted on the tool/bit at the time of hole breakthrough. Hold the tool firmly and exert care when the bit begins to break through the workpiece.
- A stuck bit can be removed simply by setting the reversing switch to reverse rotation in order to back out. However, the tool may back out abruptly if you do not hold it firmly.
- Always secure small workpieces in a vise or similar hold-down device.

Screwdriving operation

Place the point of the driver bit in the screw head and apply pressure to the tool. Start the tool. Release the switch trigger just as the screw bottoms out. If the switch trigger is not released, the screw may strip out the hole or the screw and/or bit may be damaged.

MAINTENANCE

CAUTION:

Always be sure that the tool is switched off before attempting to perform inspection or maintenance.

To maintain product SAFETY and RELIABILITY, repairs, maintenance or adjustment should be performed by Makita Authorized or Factory Service Centers, always using Makita replacement parts.

DISPOSING OF TOOL

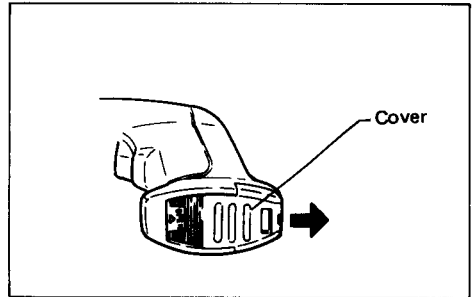
A nicad battery is built into the handle of this tool. Always remove it before disposing of the tool.

Removing built-in battery

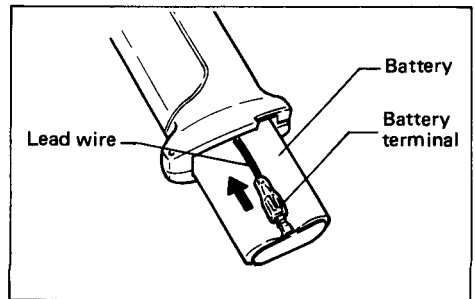
CAUTION:

Never remove the built-in battery from the tool except when disposing of the tool. The battery will be damaged or a battery short-circuit could result.

To remove the cover, push it in the direction of the arrow while pressing down on the "OPEN" portion of the cover.



Withdraw the built-in battery halfway. Disconnect the two lead wires from the battery by pulling them from the battery terminals. Then withdraw the battery completely.



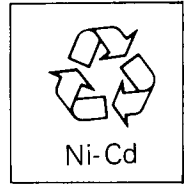
To prevent a battery short-circuit, tape the battery terminals or put the battery into a plastics bag. (Note: Never put two or more batteries into one plastics bag. Battery short-circuit may result.)

CAUTION:

Never incinerate the battery even if it is severely damaged or is completely worn out. It can explode in a fire or toxic materials can leak out of it.

Recycling the battery

The only way to dispose of a Makita battery is to recycle it.
The law prohibits any other method of disposal.



To recycle the battery:

1. Remove the battery from the tool.
2. (a) Take the battery to your nearest Makita Factory Service Center.
or
(b) Take the battery to your nearest Makita Authorized Service Center or Distributor that has been designated as a Makita battery recycling location.
Call your nearest Makita Service Center or Distributor to determine the location that provides Makita battery recycling. See your local yellow pages under "Tools – Electric."

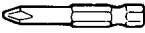

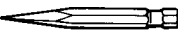
OPTIONAL ACCESSORIES

The accessories listed in this manual are available at an extra cost from your Makita distributor or Makita factory service center. Service centers are listed on the warranty card packed with your tool.

CAUTION:

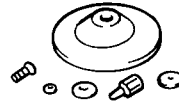
These accessories or attachments are recommended for use with your Makita tool specified in this manual. The use of any other accessories or attachments might present a risk of injury to persons. The accessories or attachments should be used only in the proper and intended manner.

• Bit

	Size	Part No.
Phillips 	# 2	784214-0A
	# 3	784215-0A
Slotted 	# 5F	784010-0A
	# 7F	784011-0A
Square drill bit 		784606-0A

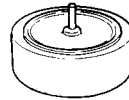
• Rubber pad assembly

Part No. 123001-2



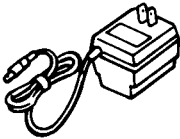
• Foam polishing pad

Part No. 743023-2



• Quick charger (A.C. only)

Model DC4100A



• Wool bonnet

Part No. 743401-6



• Chuck key S10

Part No. 763418-3

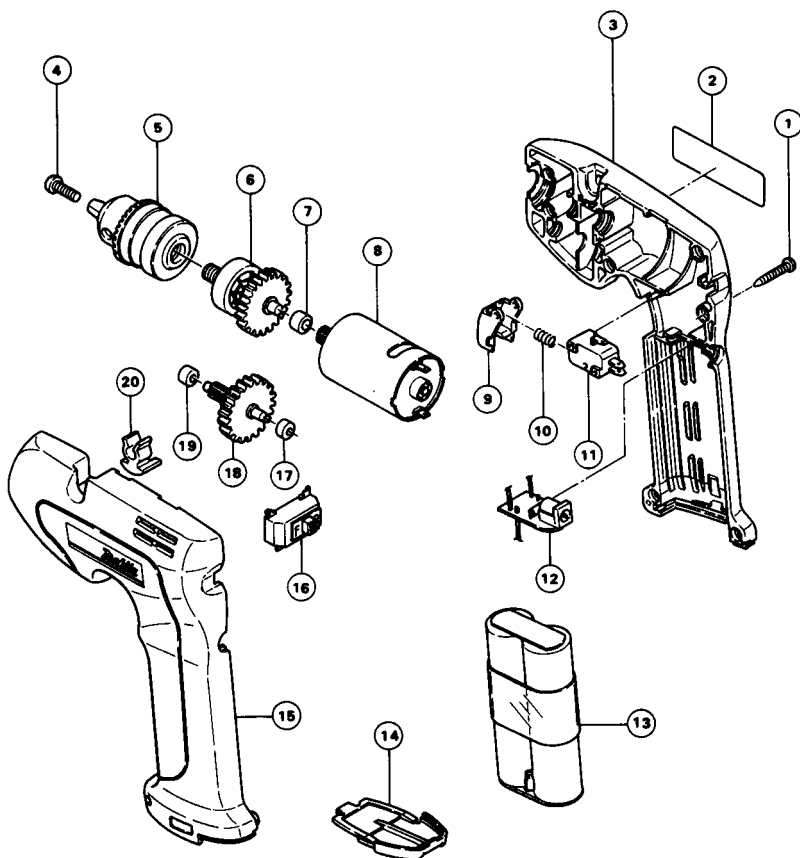


• Plastic carrying case

Part No. 824417-1



10 mm (3/8") CORDLESS DRILL Model 6041D



Note: The switch and other part configurations may differ from country to country.

ITEM NO.	NO. USED	DESCRIPTION	ITEM NO.	NO. USED	DESCRIPTION
MACHINE			MACHINE		
1	7	Tapping Screw M3x20	11	1	Switch
2	1	Name Plate	12	1	Circuit Board
3	1	Housing Set (With Item 15)	13	1	Battery
4	1	Countersunk Hex Socket Screw M5x21	14	1	Cover
5	1	Drill Chuck S10	15	1	Housing Set (With Item 3)
6	1	Gear	16	1	Switch
7	1	Plane Bearing 5	17	1	Plane Bearing 4
8	1	DC Motor 4.8 V	18	1	Gear Complete 11-65
9	1	Switch Lever	19	1	Plane Bearing 4
10	1	Compression Spring 7	20	1	Holder 6

Note: The switch and other part specifications may differ from country to country.

MAKITA LIMITED ONE YEAR WARRANTY

Warranty Policy

Every Makita tool is thoroughly inspected and tested before leaving the factory. It is warranted to be free of defects from workmanship and materials for the period of ONE YEAR from the date of original purchase. Should any trouble develop during this one-year period, return the COMPLETE tool, freight prepaid, to one of Makita's Factory or Authorized Service Centers. If inspection shows the trouble is caused by defective workmanship or material, Makita will repair (or at our option, replace) without charge.

This Warranty does not apply where:

- repairs have been made or attempted by others;
- repairs are required because of normal wear and tear;
- The tool has been abused, misused or improperly maintained;
- alterations have been made to the tool.

IN NO EVENT SHALL MAKITA BE LIABLE FOR ANY INDIRECT, INCIDENTAL OR CONSEQUENTIAL DAMAGES FROM THE SALE OR USE OF THE PRODUCT. THIS DISCLAIMER APPLIES BOTH DURING AND AFTER THE TERM OF THIS WARRANTY.

MAKITA DISCLAIMS LIABILITY FOR ANY IMPLIED WARRANTIES, INCLUDING IMPLIED WARRANTIES OF "MERCHANTABILITY" AND "FITNESS FOR A SPECIFIC PURPOSE," AFTER THE ONE-YEAR TERM OF THIS WARRANTY.

This Warranty gives you specific legal rights, and you may also have other rights which vary from state to state. Some states do not allow the exclusion or limitation of incidental or consequential damages, so the above limitation or exclusion may not apply to you. Some states do not allow limitation on how long an implied warranty lasts, so the above limitation may not apply to you.

Makita Canada Inc.
1950 Forbes Street, Whitby, Ontario L1N 7B7

883845A061



1995 - 6 - 4D

Free Manuals Download Website

<http://myh66.com>

<http://usermanuals.us>

<http://www.somanuals.com>

<http://www.4manuals.cc>

<http://www.manual-lib.com>

<http://www.404manual.com>

<http://www.luxmanual.com>

<http://aubethermostatmanual.com>

Golf course search by state

<http://golfingnear.com>

Email search by domain

<http://emailbydomain.com>

Auto manuals search

<http://auto.somanuals.com>

TV manuals search

<http://tv.somanuals.com>