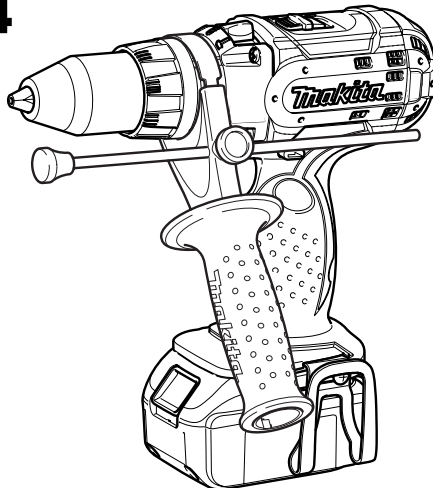


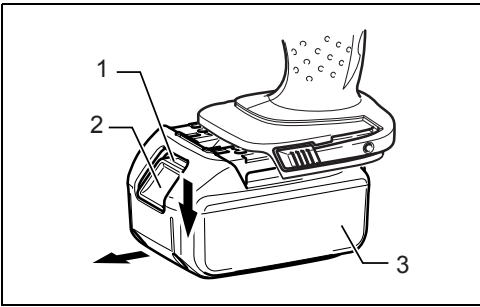


<b>GB</b>	<b>Cordless Hammer Driver Drill</b>	<b>Instruction manual</b>
<b>F</b>	<b>Perceuse à percussion sans fil</b>	<b>Manuel d'instructions</b>
<b>D</b>	<b>Akku-Schlagbohrschrauber</b>	<b>Betriebsanleitung</b>
<b>I</b>	<b>Trapano avvitatore a batterie con percussione</b>	<b>Istruzioni per l'uso</b>
<b>NL</b>	<b>Accuschroef-boorhamermachine</b>	<b>Gebruiksaanwijzing</b>
<b>E</b>	<b>Taladro atornillador con percusión a batería</b>	<b>Manual de instrucciones</b>
<b>P</b>	<b>Martelo perfurador sem fios</b>	<b>Manual de instruções</b>
<b>DK</b>	<b>Ledningsfri slagboremaskine</b>	<b>Brugsanvisning</b>
<b>GR</b>	<b>Κρουστικό δραπανοκατσάβιδο μπαταρίας</b>	<b>Οδηγίες χρήσης</b>

**BHP444**  
**BHP454**

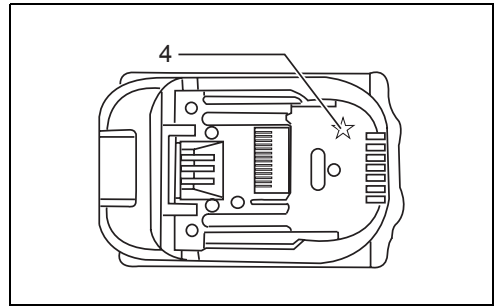


008997



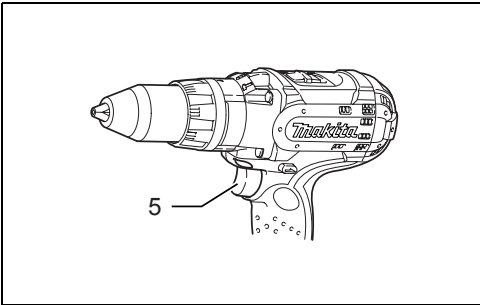
1

012148



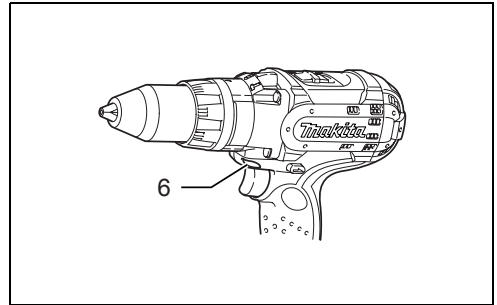
2

012128



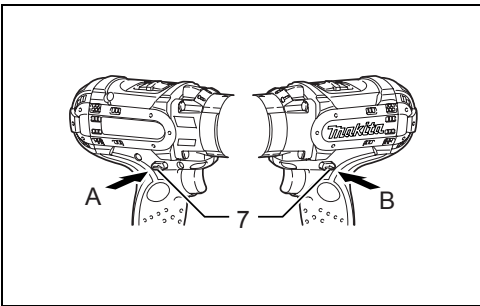
3

008999



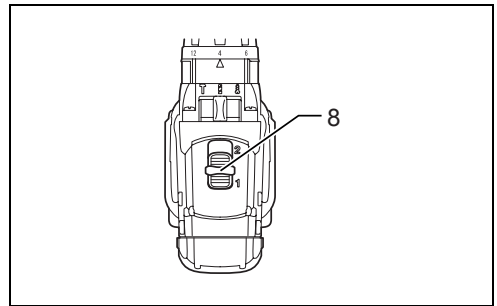
4

008998



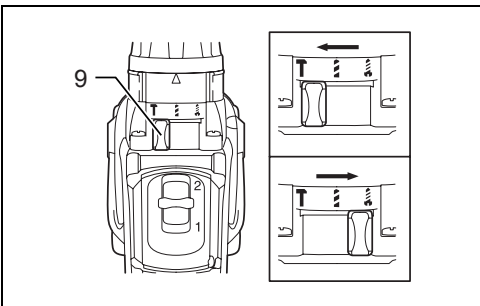
5

009000



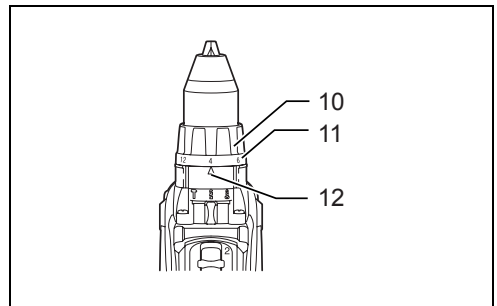
6

009001



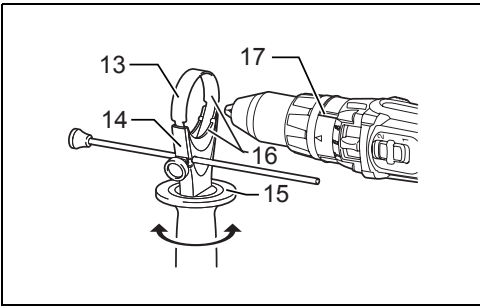
7

009002



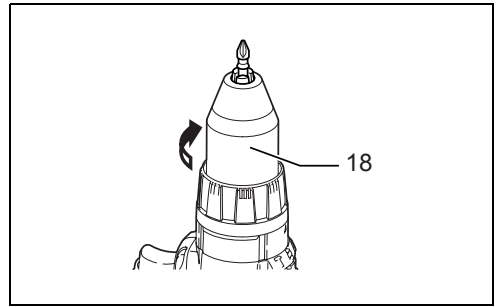
8

009003



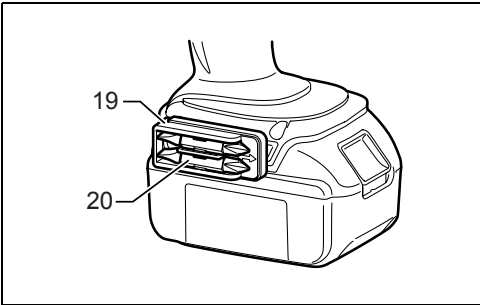
9

009004



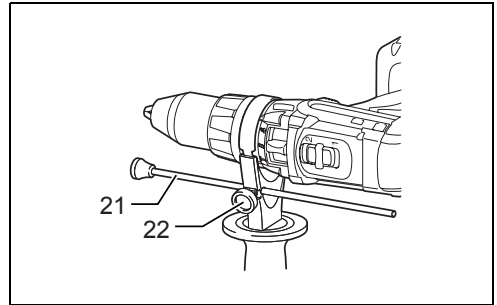
10

009005



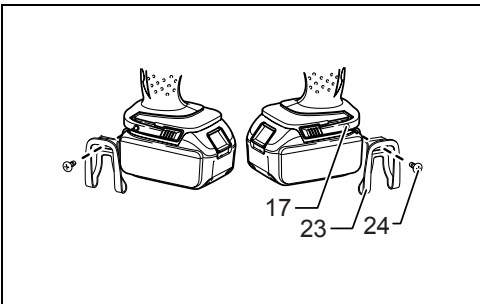
11

006725



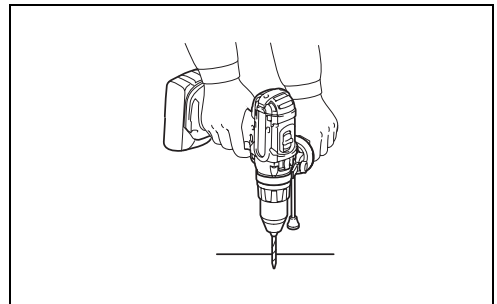
12

009006



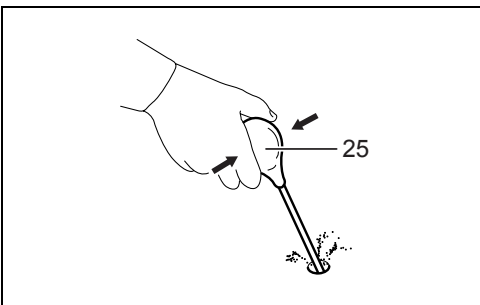
13

008995



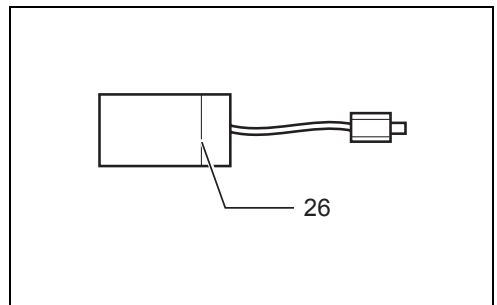
14

009007



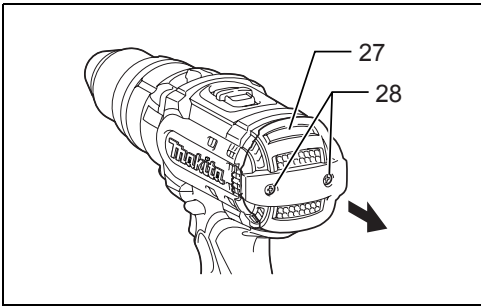
15

002449



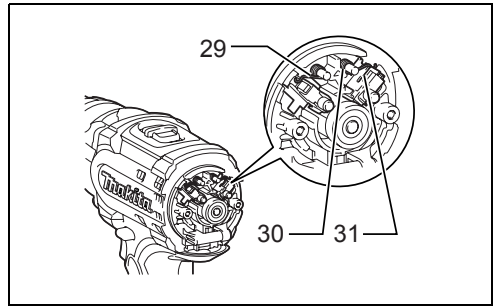
16

006258



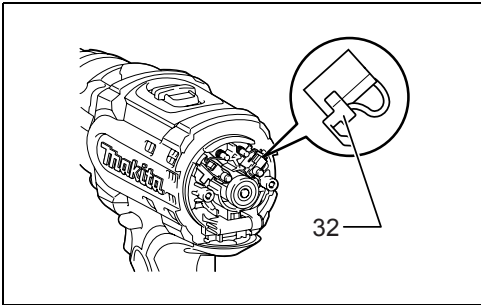
17

008989



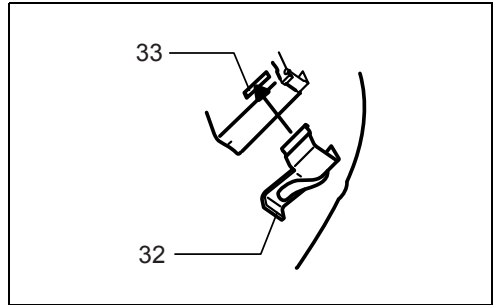
18

008990



19

008991



20

006304

## ENGLISH (Original instructions)

### Explanation of general view

- |                             |                 |                      |
|-----------------------------|-----------------|----------------------|
| 1. Red indicator            | 12. Arrow       | 23. Hook             |
| 2. Button                   | 13. Steel band  | 24. Screw            |
| 3. Battery cartridge        | 14. Grip base   | 25. Blow-out bulb    |
| 4. Star marking             | 15. Side grip   | 26. Limit mark       |
| 5. Switch trigger           | 16. Protrusion  | 27. Rear cover       |
| 6. Lamp                     | 17. Groove      | 28. Screws           |
| 7. Reversing switch lever   | 18. Sleeve      | 29. Arm              |
| 8. Speed change lever       | 19. Bit holder  | 30. Spring           |
| 9. Action mode change lever | 20. Bit         | 31. Recessed part    |
| 10. Adjusting ring          | 21. Depth rod   | 32. Carbon brush cap |
| 11. Graduation              | 22. Clamp screw | 33. Hole             |

## SPECIFICATIONS

Model		BHP444	BHP454
Capacities	Concrete	14 mm	16 mm
	Steel	13 mm	13 mm
	Wood	50 mm	65 mm
	Wood screw	6 mm x 75 mm	10 mm x 89 mm
	Machine screw	6 mm	
No load speed (min <sup>-1</sup> )	High (2)	0 - 1,700	
	Low (1)	0 - 400	
Blows per minute (min <sup>-1</sup> )	High (2)	0 - 25,500	
	Low (1)	0 - 6,000	
Overall length		243 mm	
Net weight		2.3 kg	2.4 kg
Rated voltage		D.C. 14.4 V	D.C. 18 V

- Due to our continuing programme of research and development, the specifications herein are subject to change without notice.
- Specifications and battery cartridge may differ from country to country.
- Weight, with battery cartridge, according to EPTA-Procedure 01/2003

### Intended use

ENE039-1

The tool is intended for impact drilling in brick, concrete and stone as well as for drilling without impact in wood, metal, ceramic and plastic.

## General Power Tool Safety Warnings

GEA010-1

**⚠ WARNING** Read all safety warnings and all instructions. Failure to follow the warnings and instructions may result in electric shock, fire and/or serious injury.

## Save all warnings and instructions for future reference.

## CORDLESS HAMMER DRIVER DRILL SAFETY WARNINGS

GEB056-4

1. **Wear ear protectors with impact drilling.** Exposure to noise can cause hearing loss.
2. **Use auxiliary handle(s), if supplied with the tool.** Loss of control can cause personal injury.

3. **Hold power tool by insulated gripping surfaces, when performing an operation where the cutting accessory may contact hidden wiring.** Cutting accessory contacting a "live" wire may make exposed metal parts of the power tool "live" and could give the operator an electric shock.
4. **Hold power tool by insulated gripping surfaces, when performing an operation where the fastener may contact hidden wiring.** Fasteners contacting a "live" wire may make exposed metal parts of the power tool "live" and could give the operator an electric shock.
5. **Always be sure you have a firm footing. Be sure no one is below when using the tool in high locations.**
6. **Hold the tool firmly.**
7. **Keep hands away from rotating parts.**
8. **Do not leave the tool running. Operate the tool only when hand-held.**
9. **Do not touch the bit or the workpiece immediately after operation; they may be extremely hot and could burn your skin.**

10. Some material contains chemicals which may be toxic. Take caution to prevent dust inhalation and skin contact. Follow material supplier safety data.

## SAVE THESE INSTRUCTIONS.

### WARNING:

DO NOT feel comfort or familiarity with product (gained from repeated use) replace strict adherence to safety rules for the subject product. MISUSE or failure to follow the safety rules stated in this instruction manual may cause serious personal injury.

## IMPORTANT SAFETY INSTRUCTIONS

ENC007-7

## FOR BATTERY CARTRIDGE

1. Before using battery cartridge, read all instructions and cautionary markings on (1) battery charger, (2) battery, and (3) product using battery.
2. Do not disassemble battery cartridge.
3. If operating time has become excessively shorter, stop operating immediately. It may result in a risk of overheating, possible burns and even an explosion.
4. If electrolyte gets into your eyes, rinse them out with clear water and seek medical attention right away. It may result in loss of your eyesight.
5. Do not short the battery cartridge:
  - (1) Do not touch the terminals with any conductive material.
  - (2) Avoid storing battery cartridge in a container with other metal objects such as nails, coins, etc.
  - (3) Do not expose battery cartridge to water or rain.

A battery short can cause a large current flow, overheating, possible burns and even a breakdown.

6. Do not store the tool and battery cartridge in locations where the temperature may reach or exceed 50°C (122°F).
7. Do not incinerate the battery cartridge even if it is severely damaged or is completely worn out. The battery cartridge can explode in a fire.
8. Be careful not to drop or strike battery.
9. Do not use a damaged battery.

## SAVE THESE INSTRUCTIONS.

### Tips for maintaining maximum battery life

1. Charge the battery cartridge before completely discharged.  
Always stop tool operation and charge the battery cartridge when you notice less tool power.
2. Never recharge a fully charged battery cartridge. Overcharging shortens the battery service life.
3. Charge the battery cartridge with room temperature at 10°C - 40°C (50°F - 104°F). Let a hot battery cartridge cool down before charging it.

4. Charge the battery cartridge once in every six months if you do not use it for a long period of time.

## FUNCTIONAL DESCRIPTION

### CAUTION:

- Always be sure that the tool is switched off and the battery cartridge is removed before adjusting or checking function on the tool.

### Installing or removing battery cartridge (Fig. 1)

- Always switch off the tool before installing or removing of the battery cartridge.
- To remove the battery cartridge, slide it from the tool while sliding the button on the front of the cartridge.
- To install the battery cartridge, align the tongue on the battery cartridge with the groove in the housing and slip it into place. Always insert it all the way until it locks in place with a little click. If you can see the red indicator on the upper side of the button, it is not locked completely. Install it fully until the red indicator cannot be seen. If not, it may accidentally fall out of the tool, causing injury to you or someone around you.
- Do not use force when installing the battery cartridge. If the cartridge does not slide in easily, it is not being inserted correctly.

### Battery protection system (Lithium-ion battery with star marking) (Fig. 2)

Lithium-ion batteries with a star marking are equipped with a protection system. This system automatically cuts off power to the tool to extend battery life. The tool will automatically stop during operation if the tool and/or battery are placed under one of the following conditions:

- Overloaded:  
The tool is operated in a manner that causes it to draw an abnormally high current. In this situation, release the trigger switch on the tool and stop the application that caused the tool to become overloaded. Then pull the trigger switch again to restart.  
If the tool does not start, the battery is overheated. In this situation, let the battery cool before pulling the trigger switch again.
- Low battery voltage:  
The remaining battery capacity is too low and the tool will not operate. In this situation, remove and recharge the battery.

### Switch action (Fig. 3)

#### CAUTION:

- Before inserting the battery cartridge into the tool, always check to see that the switch trigger actuates properly and returns to the "OFF" position when released.

To start the tool, simply pull the switch trigger. Tool speed is increased by increasing pressure on the switch trigger. Release the switch trigger to stop.

## Lighting up the front lamp (Fig. 4)

### CAUTION:

- Do not look in the light or see the source of the light directly.

Pull the switch trigger to light up the lamp. The lamp keeps on lighting while the switch trigger is being pulled. The lamp goes out 10 -15 seconds after releasing the trigger.

### NOTE:

- Use a dry cloth to wipe the dirt off the lens of lamp. Be careful not to scratch the lens of lamp, or it may lower the illumination.

## Reversing switch action (Fig. 5)

This tool has a reversing switch to change the direction of rotation. Depress the reversing switch lever from the "A" side for clockwise rotation or from the "B" side for counterclockwise rotation.

When the reversing switch lever is in the neutral position, the switch trigger cannot be pulled.

### CAUTION:

- Always check the direction of rotation before operation.
- Use the reversing switch only after the tool comes to a complete stop. Changing the direction of rotation before the tool stops may damage the tool.
- When not operating the tool, always set the reversing switch lever to the neutral position.

## Speed change (Fig. 6)




To change the speed, first switch off the tool and then slide the speed change lever to the "2" side for high speed or, "1" side for low speed. Be sure that the speed change lever is set to the correct position before operation. Use the right speed for your job.

### CAUTION:




- Always set the speed change lever fully to the correct position. If you operate the tool with the speed change lever positioned halfway between the "1" side and, "2" side, the tool may be damaged.
- Do not use the speed change lever while the tool is running. The tool may be damaged.

## Selecting the action mode (Fig. 7)

This tool employs an action mode change lever. Select one of the three modes suitable for your work needs by using this lever.

For rotation only, slide the lever so that it points toward the  mark on the tool body. For rotation with hammering, slide the lever so that it points toward the  mark on the tool body. For rotation with clutch, slide the lever so that it points toward the  mark on the tool body.

### NOTE:

- When changing the position from " " to " ", it may be a little difficult to slide the mode change lever. At this time, switch on and run the tool for a second at the " " position, then stop the tool and slide to your desired position.

### CAUTION:

- Always set the lever correctly to your desired mode mark. If you operate the tool with the lever positioned

halfway between the mode marks, the tool may be damaged.

## Adjusting the fastening torque (Fig. 8)

The fastening torque can be adjusted in 16 steps by turning the adjusting ring so that its graduations are aligned with the arrow on the tool body. The fastening torque is minimum when the number 1 is aligned with the arrow, and maximum when the number 16 is aligned with the arrow.

Before actual operation, drive a trial screw into your material or a piece of duplicate material to determine which torque level is required for a particular application.

## ASSEMBLY

### CAUTION:

- Always be sure that the tool is switched off and the battery cartridge is removed before carrying out any work on the tool.

## Installing side grip (auxiliary handle) (Fig. 9)

Always use the side grip to ensure operating safety. Insert the side grip so that the protrusions on the grip base and steel band fit in between the grooves on the tool barrel. Then tighten the grip by turning clockwise.

## Installing or removing driver bit or drill bit (Fig. 10)

Turn the sleeve counterclockwise to open the chuck jaws. Place the bit in the chuck as far as it will go. Turn the sleeve clockwise to tighten the chuck. To remove the bit, turn the sleeve counterclockwise.

## Installing bit holder (Fig. 11)

Fit the bit holder into the protrusion at the tool foot on either right or left side and secure it with a screw. When not using the driver bit, keep it in the bit holders. Bits 45 mm long can be kept there.

## Adjustable depth rod (Fig. 12)

The adjustable depth rod is used to drill holes of uniform depth. Loosen the clamp screw, set to desired position, then tighten the clamp screw.

## Hook (Fig. 13)

The hook is convenient for temporarily hanging the tool. This can be installed on either side of the tool. To install the hook, insert it into a groove in the tool housing on either side and then secure it with a screw. To remove, loosen the screw and then take it out.

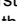
## OPERATION

### Hammer drilling operation (Fig. 14)

#### CAUTION:

- There is a tremendous and sudden twisting force exerted on the tool/bit at the time of hole breakthrough, when the hole becomes clogged with chips and particles, or when striking reinforcing rods embedded in the concrete. Always use the side grip (auxiliary handle) and firmly hold the tool by both side

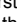
grip and switch handle during operations. Failure to do so may result in the loss of control of the tool and potentially severe injury.

First, slide the action mode change lever so that it points to the  marking. The adjusting ring can be aligned in any torque levels for this operation. Be sure to use a tungsten-carbide tipped bit. Position the bit at the desired location for the hole, then pull the switch trigger. Do not force the tool. Light pressure gives best results. Keep the tool in position and prevent it from slipping away from the hole. Do not apply more pressure when the hole becomes clogged with chips or particles. Instead, run the tool at an idle, then remove the bit partially from the hole. By repeating this several times, the hole will be cleaned out and normal drilling may be resumed.

### Blow-out bulb (optional accessory) (Fig. 15)

After drilling the hole, use the blow-out bulb to clean the dust out of the hole.

### Screwdriving operation

First, slide the action mode change lever so that it points to the  marking. Adjust the adjusting ring to the proper torque level for your work. Then proceed as follows. Place the point of the driver bit in the screw head and apply pressure to the tool. Start the tool slowly and then increase the speed gradually. Release the switch trigger as soon as the clutch cuts in.

#### NOTE:

- Make sure that the driver bit is inserted straight in the screw head, or the screw and/or bit may be damaged.
- When driving wood screws, predrill pilot holes to make driving easier and to prevent splitting of the workpiece. See the chart.

Nominal diameter of wood screw (mm)	Recommended size of pilot hole (mm)
3.1	2.0 - 2.2
3.5	2.2 - 2.5
3.8	2.5 - 2.8
4.5	2.9 - 3.2
4.8	3.1 - 3.4
5.1	3.3 - 3.6
5.5	3.6 - 3.9
5.8	4.0 - 4.2
6.1	4.2 - 4.4

#### NOTE:

- If the tool is operated continuously until the battery cartridge has discharged, allow the tool to rest for 15 minutes before proceeding with a fresh battery.

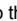
### Drilling operation

#### CAUTION:

- Pressing excessively on the tool will not speed up the drilling. In fact, this excessive pressure will only serve to damage the tip of your bit, decrease the tool performance and shorten the service life of the tool.
- There is a tremendous force exerted on the tool/bit at the time of hole break through. Hold the tool firmly and

exert care when the bit begins to break through the workpiece.

- A stuck bit can be removed simply by setting the reversing switch to reverse rotation in order to back out. However, the tool may back out abruptly if you do not hold it firmly.
- Always secure small workpieces in a vise or similar hold-down device.
- If the tool is operated continuously until the battery cartridge has discharged, allow the tool to rest for 15 minutes before proceeding with a fresh battery.

First, slide the action mode change lever so that it points to the  marking. The adjusting ring can be aligned in any torque levels for this operation. Then proceed as follows.

#### Drilling in wood

When drilling in wood, the best results are obtained with wood drills equipped with a guide screw. The guide screw makes drilling easier by pulling the bit into the workpiece.

#### Drilling in metal

To prevent the bit from slipping when starting a hole, make an indentation with a center-punch and hammer at the point to be drilled. Place the point of the bit in the indentation and start drilling. Use a cutting lubricant when drilling metals. The exceptions are iron and brass which should be drilled dry.

## MAINTENANCE

#### CAUTION:

- Always be sure that the tool is switched off and the battery cartridge is removed before attempting to perform inspection or maintenance.
- Never use gasoline, benzine, thinner, alcohol or the like. Discoloration, deformation or cracks may result.

### Replacing carbon brushes (Fig. 16)

Replace when they wear down to the limit mark. Keep the carbon brushes clean and free to slip in the holders.

Both carbon brushes should be replaced at the same time. Use only identical carbon brushes.

Use a screwdriver to remove two screws then remove the rear cover. (Fig. 17)

Raise the arm part of the spring and then place it in the recessed part of the housing with a slotted bit screwdriver of slender shaft or the like. (Fig. 18)

Use pliers to remove the carbon brush caps of the carbon brushes. Take out the worn carbon brushes, insert the new ones and replace the carbon brush caps in reverse. (Fig. 19)

Make sure that the carbon brush caps have fit into the holes in brush holders securely. (Fig. 20)

Reinstall the rear cover and tighten two screws securely. To maintain product SAFETY and RELIABILITY, repairs, any other maintenance or adjustment should be performed by Makita Authorized Service Centers, always using Makita replacement parts.

## OPTIONAL ACCESSORIES

#### CAUTION:

- These accessories or attachments are recommended for use with your Makita tool specified in this manual. The use of any other accessories or attachments might



present a risk of injury to persons. Only use accessory or attachment for its stated purpose.

If you need any assistance for more details regarding these accessories, ask your local Makita Service Center.

- Drill bits
- Hammer drill bits
- Screw bits
- Blow-out bulb
- Safety goggles
- Various type of Makita genuine batteries and chargers
- Grip assembly
- Depth rod
- Hook
- Rubber pad assembly
- Wool bonnet
- Foam polishing pad

#### NOTE:

- Some items in the list may be included in the tool package as standard accessories. They may differ from country to country.

**Noise** ENG905-1  
The typical A-weighted noise level determined according to EN60745:

##### Model BHP444

Sound pressure level ( $L_{pA}$ ): 85 dB (A)  
Sound power level ( $L_{WA}$ ): 96 dB (A)  
Uncertainty (K): 3 dB (A)

##### Model BHP454

Sound pressure level ( $L_{pA}$ ): 86 dB (A)  
Sound power level ( $L_{WA}$ ): 97 dB (A)  
Uncertainty (K): 3 dB (A)

**Wear ear protection.**

**Vibration** ENG900-1  
The vibration total value (tri-axial vector sum) determined according to EN60745:

##### Model BHP444

Work mode: impact drilling into concrete  
Vibration emission ( $a_{h,1D}$ ): 9.0 m/s<sup>2</sup>  
Uncertainty (K): 2.0 m/s<sup>2</sup>

Work mode: drilling into metal

Vibration emission ( $a_{h,1D}$ ): 2.5 m/s<sup>2</sup> or less  
Uncertainty (K): 1.5 m/s<sup>2</sup>

##### Model BHP454

Work mode: impact drilling into concrete  
Vibration emission ( $a_{h,1D}$ ): 7.5 m/s<sup>2</sup>  
Uncertainty (K): 1.5 m/s<sup>2</sup>

Work mode: drilling into metal

Vibration emission ( $a_{h,1D}$ ): 2.5 m/s<sup>2</sup> or less  
Uncertainty (K): 1.5 m/s<sup>2</sup>

ENG901-1

- The declared vibration emission value has been measured in accordance with the standard test method and may be used for comparing one tool with another.
- The declared vibration emission value may also be used in a preliminary assessment of exposure.

#### **WARNING:**

- The vibration emission during actual use of the power tool can differ from the declared emission value depending on the ways in which the tool is used.
- Be sure to identify safety measures to protect the operator that are based on an estimation of exposure in the actual conditions of use (taking account of all parts of the operating cycle such as the times when the tool is switched off and when it is running idle in addition to the trigger time).

**For European countries only**  
**EC Declaration of Conformity**

ENH101-15

**We Makita Corporation as the responsible manufacturer declare that the following Makita machine(s):**

Designation of Machine:  
Cordless Hammer Driver Drill  
Model No./ Type: BHP444, BHP454  
are of series production and

**Conforms to the following European Directives:**  
2006/42/EC

And are manufactured in accordance with the following standards or standardised documents:

EN60745

The technical documentation is kept by our authorised representative in Europe who is:

Makita International Europe Ltd.  
Michigan Drive, Tongwell,  
Milton Keynes, Bucks MK15 8JD, England

30. 1. 2009



Tomoyasu Kato  
Director  
Makita Corporation  
3-11-8, Sumiyoshi-cho,  
Anjo, Aichi, 446-8502, JAPAN

# FRANÇAIS (Instructions d'origine)

## Descriptif

1. Voyant rouge	12. Flèche	23. Crochet
2. Bouton	13. Bande d'acier	24. Vis
3. Batterie	14. Base de la poignée	25. Poire soufflante
4. Étoile	15. Poignée latérale	26. Repère d'usure
5. Gâchette	16. Partie saillante	27. Couvreclou arrière
6. Lampe	17. Rainure	28. Vis
7. Levier de l'inverseur	18. Manchon	29. Bras
8. Levier de changement de vitesse	19. Porte-embout	30. Ressort
9. Levier de changement de mode	20. Embout	31. Partie encastrée
10. Bague de réglage	21. Tige de profondeur	32. Bouchon de charbon
11. Graduation	22. Vis de serrage	33. Orifice

## SPÉCIFICATIONS

Modèle		BHP444	BHP454
Capacités	Béton	14 mm	16 mm
	Acier	13 mm	13 mm
	Bois	50 mm	65 mm
	Vis à bois	6 mm x 75 mm	10 mm x 89 mm
	Vis de mécanique	6 mm	
Vitesse à vide (min <sup>-1</sup> )	Élevée (2)	0 - 1 700	
	Basse (1)	0 - 400	
Coups par minute (min <sup>-1</sup> )	Elevé (2)	0 - 25 500	
	Bas (1)	0 - 6 000	
Longueur totale		243 mm	
Poids net		2,3 kg	2,4 kg
Tension nominale		14,4 V C.C.	18 V C.C.

- Étant donné l'évolution constante de notre programme de recherche et de développement, les spécifications contenues dans ce manuel sont sujettes à des modifications sans préavis.
- Les spécifications et la batterie peuvent varier d'un pays à l'autre.
- Poids, batterie incluse, selon la procédure EPTA 01/2003

### Utilisation prévue

ENE039-1

L'outil est conçu pour le perçage avec chocs dans la brique, le béton et la pierre, ainsi que pour le perçage sans chocs dans le bois, le métal, la céramique et le plastique

## Consignes de sécurité générales des outils électriques

GEA010-1

**⚠ AVERTISSEMENT** Veuillez lire toutes les consignes de sécurité et les instructions. Il y a un risque de choc électrique, d'incendie et/ou de blessure grave si les consignes et les instructions ne sont pas toutes respectées.

## Conservez toutes les consignes et instructions pour référence ultérieure.

## AVERTISSEMENTS DE SÉCURITÉ CONCERNANT LA PERCEUSE À PERCUSSION SANS FIL

GEB056-4

1. **Portez des protections auditives lorsque vous utilisez une perceuse à percussion.** L'exposition au bruit peut entraîner la surdité.
2. **Utilisez la/les poignée(s) auxiliaire(s) qui équipent éventuellement l'outil.** La perte de maîtrise comporte un risque de blessures.
3. **Tenez l'outil électrique par ses surfaces de poignée isolées lorsque vous effectuez une opération au cours de laquelle l'accessoire tranchant peut entrer en contact avec des fils cachés.** Il est possible que le contact avec un fil sous tension mette les parties métalliques exposées de l'outil sous tension, risquant ainsi de provoquer un choc électrique chez l'utilisateur.
4. **Tenez l'outil électrique par ses surfaces de poignée isolées lorsque vous effectuez une opération au cours de laquelle la pièce de fixation peut entrer en contact avec des fils cachés.** Il est possible que les pièces de fixation entrant en contact avec un fil sous tension mettent les parties métalliques exposées

de l'outil sous tension, risquant ainsi de provoquer un choc électrique chez l'utilisateur.

5. **Veillez à toujours avoir une bonne position d'équilibre.**  
Assurez-vous que personne ne se trouve sous l'outil lorsque vous l'utilisez en position élevée.
6. Tenez l'outil fermement.
7. Gardez les mains éloignées des pièces en rotation.
8. N'abandonnez pas l'outil alors qu'il tourne. Ne faites fonctionner l'outil qu'une fois que vous l'avez bien en main.
9. Ne touchez ni l'embout ni la pièce immédiatement après le fonctionnement ; ils risquent d'être extrêmement chauds et de vous brûler la peau.
10. Certains matériaux contiennent des produits chimiques qui peuvent être toxiques. Veillez à éviter toute inhalation de poussière et tout contact avec la peau. Respectez les instructions de sécurité du fournisseur du matériel.

## CONSERVEZ CES INSTRUCTIONS.

### AVERTISSEMENT :

**NE** vous laissez PAS tromper (au fil d'une utilisation répétée) par un sentiment d'aisance et de familiarité avec le produit, en négligeant le respect rigoureux des consignes de sécurité qui accompagnent l'appareil. Une **UTILISATION INCORRECTE** de l'appareil ou un non-respect des consignes de sécurité indiquées dans ce manuel d'instructions peuvent causer des blessures graves.

## CONSIGNES DE SÉCURITÉ IMPORTANTES

ENC007-7

### POUR LA BATTERIE

1. Avant d'utiliser la batterie, veuillez lire toutes les instructions et tous les avertissements inscrits sur (1) le chargeur, (2) la batterie et (3) l'appareil alimenté par la batterie.
2. Ne démontez pas la batterie.
3. Cessez immédiatement d'utiliser la scie circulaire si le temps de fonctionnement devient excessivement court. Il y a risque de surchauffe, de brûlures, voire d'explosion.
4. Si l'électrolyte pénètre dans vos yeux, rincez-les à l'eau claire et consultez immédiatement un médecin. Il y a risque de perte de la vue.
5. Évitez de court-circuiter la batterie :
  - (1) Ne touchez les bornes avec aucun matériau conducteur.
  - (2) Évitez de ranger la batterie dans un contenant où se trouvent d'autres objets métalliques tels que des clous, pièces de monnaie, etc.
  - (3) N'exposez pas la batterie à l'eau ou à la pluie.Un court-circuit de la batterie risque de provoquer un fort courant, une surchauffe, parfois des brûlures et même une panne.

6. Ne rangez pas l'outil ou la batterie dans des endroits où la température risque d'atteindre ou de dépasser 50°C (122°F).
7. Ne jetez pas la batterie au feu même si elle est sérieusement endommagée ou complètement épuisée. La batterie peut exploser au contact du feu.
8. Veillez à ne pas laisser tomber ou heurter la batterie.
9. N'utilisez pas de batterie endommagée.

## CONSERVEZ CES INSTRUCTIONS.

### Conseils pour assurer la durée de vie optimale de la batterie

1. Rechargez la batterie avant qu'elle ne soit complètement épuisée.  
Arrêtez toujours l'outil et rechargez la batterie quand vous constatez que la puissance de l'outil diminue.
2. Ne rechargez jamais une batterie complètement chargée.  
La surcharge réduit la durée de service de la batterie.
3. Chargez la batterie alors que la température de la pièce se trouve entre 10°C et 40°C (50°F et 104°F). Si une batterie est chaude, laissez-la refroidir avant de la charger.
4. Si vous n'utilisez pas l'outil pendant une période prolongée, rechargez la batterie tous les six mois.

## DESCRIPTION DU FONCTIONNEMENT

### ATTENTION :

- Assurez-vous toujours que l'outil est hors tension et que sa batterie est retirée avant d'ajuster l'outil ou de vérifier son fonctionnement.

### Installation et retrait de la batterie (Fig. 1)

- Éteignez toujours l'outil avant d'installer ou de déposer la batterie.
- Pour retirer la batterie, faites glisser le bouton à l'avant de la batterie et sortez la batterie.
- Pour installer la batterie, alignez sa languette sur la rainure qui se trouve à l'intérieur du carter, puis glissez la batterie pour la mettre en place. Insérez-la toujours bien à fond, jusqu'à ce qu'elle se verrouille en émettant un léger clic. Si vous pouvez voir le voyant rouge sur la face supérieure du bouton, la batterie n'est pas parfaitement verrouillée. Installez-la à fond, jusqu'à ce que le voyant rouge ne soit plus visible. Sinon, elle risque de tomber accidentellement de l'outil, en vous blessant ou en blessant une personne située près de vous.
- N'appliquez pas une force excessive lors de l'installation de la batterie. Si la batterie ne glisse pas aisément, c'est qu'elle n'est pas insérée correctement.

## Système de protection de la batterie (batterie au lithium-ion comportant une étoile) (Fig. 2)

Les batteries au lithium-ion comportant une étoile sont équipées d'un système de protection. Ce système coupe automatiquement l'alimentation en électricité vers l'outil afin de prolonger sa durée de vie.

L'outil s'arrête automatiquement pendant l'utilisation lorsqu'il et/ou la batterie se trouvent dans l'une des situations suivantes :

- **Surchargé :**  
L'outil fonctionne de manière à créer un courant anormalement élevé.  
Dans ce cas, relâchez la gâchette située sur l'outil et arrêtez l'application ayant provoqué la surcharge de l'outil. Ensuite, tirez à nouveau sur la gâchette pour redémarrer l'outil.  
Si l'outil ne démarre pas, la batterie est en surchauffe. Dans ce cas, laissez la batterie refroidir avant de tirer à nouveau sur la gâchette.
- **Basse tension :**  
L'autonomie restante est trop basse et l'outil ne fonctionnera pas. Dans ce cas, retirez la batterie et rechargez-la.

## Interrupteur (Fig. 3)

### ATTENTION :

- Avant d'insérer la batterie dans l'outil, vérifiez toujours que la gâchette fonctionne bien et revient en position d'arrêt lorsque libérée.

Pour mettre l'outil en marche, appuyez simplement sur la gâchette. La vitesse de l'outil augmente à mesure que l'on accroît la pression exercée sur la gâchette. Pour l'arrêter, libérez la gâchette.

## Allumage de la lampe avant (Fig. 4)

### ATTENTION :

- Ne regardez pas directement la lumière ou la source de lumière.

Appuyez sur la gâchette pour allumer la lampe. La lampe demeure allumée tant que la pression sur la gâchette est maintenue. La lampe s'éteint 10 à 15 secondes après la libération de la gâchette.

### NOTE :

- Utilisez un chiffon sec pour essuyer les saletés qui recouvrent la lentille de la lampe.  
Prenez garde de rayer la lentille de la lampe, sinon sa capacité d'éclairage sera affectée.

## Marche arrière (Fig. 5)

L'outil possède un inverseur qui permet de changer le sens de rotation. Appuyez sur le levier de l'inverseur par le côté « A » pour une rotation dans le sens des aiguilles d'une montre, ou par le côté « B » pour une rotation en sens inverse.

La pression sur la gâchette n'est pas possible lorsque le levier de l'inverseur se trouve en position neutre.

### ATTENTION :

- Vérifiez toujours le sens de rotation avant de mettre l'outil en marche.

- N'actionnez l'inverseur qu'une fois l'outil complètement arrêté. Si vous changez le sens de rotation de l'outil avant l'arrêt de l'outil, vous risquez de l'endommager.
- Lorsque vous n'utilisez pas l'outil, placez toujours le levier de l'inverseur en position neutre.

## Changement de vitesse (Fig. 6)

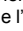
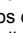
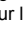
Pour changer de vitesse, commencez par éteindre l'outil, puis déplacez le levier de changement de vitesse sur le côté « 2 » pour faire marcher l'outil à grande vitesse, ou sur le côté « 1 » pour le faire marcher à vitesse réduite. Vérifiez que le levier de changement de vitesse est réglé sur la bonne position avant le travail. Utilisez la vitesse qui convient pour le travail à effectuer.

### ATTENTION :

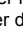
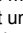

- Placez toujours parfaitement le levier de changement de vitesse sur la position correcte. Si vous faites fonctionner l'outil avec le levier de changement de vitesse situé à mi-course entre le côté « 1 » et le côté « 2 », il risque d'être endommagé.
- N'actionnez pas le levier de changement de vitesse pendant que l'outil fonctionne. Vous pourriez endommager l'outil.

## Sélection du mode de fonctionnement (Fig. 7)

Cet outil fonctionne avec un levier de changement de mode. Utilisez ce levier pour sélectionner, parmi les trois modes disponibles, celui qui convient au travail à exécuter.

Pour le mode de rotation seulement, glissez le levier de sorte qu'il pointe vers l'indication  sur le corps de l'outil. Pour le mode de rotation avec percussion, glissez le levier de sorte qu'il pointe vers l'indication  sur le corps de l'outil. Pour le mode de rotation avec engrenage, glissez le levier de sorte qu'il pointe vers l'indication  sur le corps de l'outil.

### REMARQUE :

- Il se peut qu'il soit un peu difficile de faire glisser le levier de changement de mode pour le déplacer de la position «  » à la position «  ». Il faut alors mettre l'outil en marche et le faire fonctionner pendant une seconde sur la position «  », arrêter l'outil puis glisser le levier sur la position désirée.

### ATTENTION :

- Réglez toujours le levier correctement sur l'indication du mode désiré. Si vous utilisez l'outil alors que le levier se trouve à mi-course entre deux indications de mode, l'outil risque d'être endommagé.

## Réglage du couple de serrage (Fig. 8)

Le couple de serrage peut être ajusté sur l'une ou l'autre de 16 positions en tournant la bague de réglage de sorte que ses graduations s'alignent sur la flèche du corps de l'outil. Le couple de serrage est minimal lorsque le numéro 1 est aligné sur la flèche, et maximal lorsque le numéro 16 est aligné sur la flèche.

Avant de commencer véritablement votre travail, enfoncez une vis d'essai dans le matériau ou dans une pièce similaire afin d'identifier le couple de serrage requis pour une utilisation donnée.

# ASSEMBLAGE

## ATTENTION :

- Assurez-vous toujours que l'outil est hors tension et que la batterie est retirée avant d'effectuer toute intervention sur l'outil.

## Installation de la poignée latérale (poignée auxiliaire) (Fig. 9)

Pour une utilisation sûre, utilisez toujours la poignée latérale.

Insérez la poignée latérale de sorte que les parties saillantes de la base de la poignée pénètrent dans les rainures du barillet de l'outil. Serrez ensuite la poignée en la tournant dans le sens des aiguilles d'une montre.

## Pour installer ou retirer l'embout ou le foret (Fig. 10)

Tournez le manchon dans le sens inverse des aiguilles d'une montre pour ouvrir les mâchoires du mandrin. Insérez l'embout/le foret à fond dans le mandrin. Tournez le manchon dans le sens des aiguilles d'une montre pour serrer le mandrin.

Pour retirer l'embout/le foret, tournez le manchon dans le sens inverse des aiguilles d'une montre.

## Installation du porte-embout (Fig. 11)

Insérez le porte-embout dans la partie saillante à la base de l'outil, du côté gauche ou droit, puis serrez-le avec une vis.

Lorsque vous n'utilisez pas l'embout, rangez-le dans le porte-embout. Il peut contenir des embouts d'une longueur de 45 mm.

## Tige de profondeur réglable (Fig. 12)

L'utilisation de la tige de profondeur réglable permet de percer des trous de même profondeur. Desserrez la vis de serrage, réglez sur la position désirée, puis resserrez la vis.

## Crochet (Fig. 13)

L'outil est équipé d'un crochet pratique qui permet de le suspendre temporairement.

Il s'installe d'un côté comme de l'autre de l'outil.

Pour installer le crochet, insérez-le dans une rainure du carter de l'outil d'un côté ou de l'autre puis serrez-le avec une vis.

Pour le retirer, desserrez la vis et enlevez-le.

# UTILISATION

## Perçage avec impacts (Fig. 14)

### ATTENTION :

- Une force de torsion énorme et soudaine s'exerce sur l'outil et le foret lors du perçage du trou, lorsque ce dernier est bouché par des copeaux et particules ou lorsque le foret frappe contre les armatures d'une structure en béton armé. Utilisez toujours la poignée latérale (poignée auxiliaire) et tenez fermement l'outil par la poignée latérale et la poignée de la gâchette pendant l'utilisation. Autrement vous risquez de perdre la maîtrise de l'outil et vous courez un risque de blessure grave.

Glissez d'abord le levier de mode de fonctionnement de sorte qu'il pointe vers l'indication  $\Uparrow$ . Pour cette opération, la bague de réglage peut être alignée sur n'importe quel niveau de couple. Vous devez utiliser un foret à pointe de carbure de tungstène. Placez le foret au point où vous désirez percer le trou, puis appuyez sur la gâchette. Ne forcez pas l'outil. Vous obtiendrez de meilleurs résultats avec une légère pression. Gardez l'outil dans cette position et évitez qu'il ne glisse à l'extérieur du trou. N'appliquez pas plus de pression lorsque le trou se bouche de copeaux ou particules. Faites plutôt tourner l'outil au ralenti, puis retirez partiellement le foret du trou. Vous pourrez poursuivre le perçage de façon normale après avoir répété quelques fois cette opération.

## Poire soufflante (accessoire en option) (Fig. 15)

Une fois le trou percé, utilisez la poire soufflante pour retirer la poussière du trou.

## Vissage

Glissez d'abord le levier de mode de fonctionnement de sorte qu'il pointe vers l'indication  $\blacktriangledown$ . Ajustez la bague de réglage sur le niveau de couple qui convient au travail à effectuer. Procédez ensuite comme suit.

Placez la pointe de l'embout dans la tête de vis et appliquez une pression sur l'outil. Faites démarrer l'outil à vitesse réduite puis augmentez graduellement la vitesse. Relâchez la gâchette dès que l'embrayage s'active.

### REMARQUE :

- Assurez-vous que l'embout se trouve inséré bien droit dans la tête de vis, faute de quoi la vis et/ou l'embout risquent d'être endommagés.
- Quand vous vissez des vis à bois, le perçage de trous-pilotes rendra votre tâche plus aisée et empêchera que le matériau ne se fende. Consultez le tableau.

Diamètre nominal des vis à bois (mm)	Taille recommandée pour les trous-pilotes (mm)
3,1	2,0 - 2,2
3,5	2,2 - 2,5
3,8	2,5 - 2,8
4,5	2,9 - 3,2
4,8	3,1 - 3,4
5,1	3,3 - 3,6
5,5	3,6 - 3,9
5,8	4,0 - 4,2
6,1	4,2 - 4,4

### REMARQUE :


- Si l'outil a fonctionné de façon continue jusqu'à ce que la batterie s'épuise, laissez-le reposer pendant 15 minutes avant de poursuivre avec une batterie fraîche.

## Perçage

### ATTENTION :

- Une pression excessive sur l'outil n'accélère pas le perçage. En fait, la pression excessive endommagera le bout du foret, causera une baisse des performances de l'outil et réduira sa durée de service.

- Une force énorme s'exerce sur l'outil et le foret lorsque ce dernier émerge sur la face opposée. Tenez l'outil fermement et faites bien attention lorsque le foret commence à sortir de la face opposée de la pièce.
- Un foret coincé peut être retiré en réglant simplement l'inverseur sur la rotation inverse pour faire marche arrière. L'outil peut toutefois faire brusquement marche arrière si vous ne le tenez pas fermement.
- Immobilisez toujours les petites pièces à travailler dans un étau ou un dispositif de retenue similaire.
- Si l'outil a fonctionné de façon continue jusqu'à ce que la batterie soit épuisée, laissez-le reposer pendant 15 minutes avant de poursuivre avec une batterie neuve.

Glissez d'abord le levier de mode de fonctionnement de sorte qu'il pointe vers l'indication . Pour cette opération, la bague de réglage peut être alignée sur n'importe quel niveau de couple. Procédez ensuite comme suit.

### Perçage du bois

Pour percer dans du bois, vous obtiendrez les meilleurs résultats avec un foret à bois doté d'une vis de guidage. La vis de guidage facilite le perçage en entraînant le foret dans la pièce.

### Perçage du métal

Pour que le foret ne glisse pas quand vous commencez à percer le trou, faites une entaille à l'aide d'un pointeau et d'un marteau. Placez la pointe du foret dans l'entaille et commencez à percer. Lorsque vous percez du métal, utilisez un lubrifiant de coupe. Seuls le fer et le laiton font exception et doivent être percés à sec.

## ENTRETIEN

### ATTENTION :

- Assurez-vous toujours que l'outil est hors tension et que la batterie est retirée avant d'y effectuer tout travail d'inspection ou d'entretien.
- N'utilisez jamais d'essence, de benzine, de diluant, d'alcool ou de produit similaire. Ces produits risquent de provoquer des décolorations, des déformations ou des fissures.

### Remplacement des charbons (Fig. 16)

Remplacez-les lorsqu'ils atteignent le repère d'usure. Gardez les charbons propres et assurez-vous qu'ils glissent librement dans les porte-charbons. Les deux charbons doivent être remplacés simultanément. Utilisez uniquement des charbons identiques.

Retirez les deux vis à l'aide d'un tournevis puis enlevez le couvercle arrière. (Fig. 17)

Soulevez le bras du ressort puis placez-le dans la partie encastrée du carter avec un tournevis à tête fendue et tige mince ou un outil similaire. (Fig. 18)

Utilisez une paire de tenailles pour retirer les bouchons des charbons. Enlevez les charbons usés, insérez les neufs et remettez en place les bouchons sur les charbons. (Fig. 19)

Assurez-vous que les bouchons des charbons sont solidement en place dans les orifices des porte-charbons. (Fig. 20)

Remettez en place le couvercle arrière et serrez les deux vis fermement. Pour assurer la SÉCURITÉ et la

FIABILITÉ du produit, toute réparation et tout travail d'entretien ou de réglage doivent être effectués par un Centre de service après-vente agréé Makita, avec des pièces de rechange Makita.

## ACCESSOIRES FOURNIS EN OPTION

### ⚠ ATTENTION :

- Ces accessoires ou pièces complémentaires sont recommandés pour être utilisés avec l'outil Makita spécifié dans ce mode d'emploi. L'utilisation de tout autre accessoire ou pièce complémentaire peut comporter un risque de blessure. N'utilisez les accessoires ou pièces qu'aux fins auxquelles ils ont été conçus.

Pour obtenir plus de détails sur ces accessoires, contactez votre Centre de service local Makita.

- Forets
- Embouts pour percusion
- Embouts
- Poire soufflante
- Lunettes de sécurité
- Les divers types de batteries et chargeurs Makita authentiques.
- Ensemble pour poignée
- Tige de profondeur
- Crochet
- Ensemble de coussinet en caoutchouc
- Capuchon de laine
- Tampon à polir en mousse

### REMARQUE :

- Certains éléments de la liste peuvent être inclus en tant qu'accessoires standard dans le coffret de l'outil envoyé. Ils peuvent varier suivant les pays.

### Bruit

ENG905-1

Les niveaux de bruit pondéré A typiques ont été mesurés selon la norme EN60745 :

#### Modèle BHP444

Niveau de pression sonore ( $L_{pA}$ ) : 85 dB (A)

Niveau de puissance sonore ( $L_{WA}$ ) : 96 dB (A)

Incertitude (K) : 3 dB (A)

#### Modèle BHP454

Niveau de pression sonore ( $L_{pA}$ ) : 86 dB (A)

Niveau de puissance sonore ( $L_{WA}$ ) : 97 dB (A)

Incertitude (K) : 3 dB (A)

### Portez des protections auditives.

### Vibration

ENG900-1

La valeur totale de vibration (somme du vecteur triaxial) déterminée selon EN60745 :

#### Modèle BHP444

Mode de fonctionnement : perçage à percusion dans le béton

Émission de vibrations ( $a_{h,1D}$ ) : 9,0 m/s<sup>2</sup>

Incertitude (K) : 2,0 m/s<sup>2</sup>

Mode de fonctionnement : perçage du métal

Émission de vibrations ( $a_{h,D}$ ) : 2,5 m/s<sup>2</sup> ou moins

Incertitude (K) : 1,5 m/s<sup>2</sup>

## Modèle BHP454

Mode de fonctionnement : perçage à percussion  
dans le béton

Émission de vibrations ( $a_{h,D}$ ) : 7,5 m/s<sup>2</sup>

Incertitude (K) : 1,5 m/s<sup>2</sup>

Mode de fonctionnement : perçage du métal

Émission de vibrations ( $a_{h,D}$ ) : 2,5 m/s<sup>2</sup> ou moins

Incertitude (K) : 1,5 m/s<sup>2</sup>

ENG901-1

- La valeur de l'émission des vibrations déclarée a été mesurée conformément à la méthode de test standard et peut être utilisée afin de comparer des outils entre eux.
- La valeur de l'émission des vibrations déclarée peut également être utilisée lors d'une évaluation préliminaire de l'exposition.

### **AVERTISSEMENT :**

- Selon la manière dont l'outil est utilisé, il est possible que l'émission des vibrations pendant l'utilisation réelle de l'outil électrique diffère de la valeur de l'émission déclarée.
- Veillez à identifier les mesures de sécurité destinées à protéger l'opérateur et établies en fonction de l'estimation de l'exposition dans les conditions réelles d'utilisation (en prenant en compte toutes les étapes du cycle de fonctionnement, telles que les périodes de mise hors tension de l'outil, les périodes de fonctionnement au ralenti et les périodes de mise en route).

**Pour les pays d'Europe uniquement**

ENH101-15

**Déclaration de conformité CE**

**Nous, Makita Corporation, en tant que fabricant responsable, déclarons que les machines Makita suivantes :**

Nom de la machine :

Perceuse à percussion sans fil

N° de modèle/Type : BHP444, BHP454

sont fabriquées en série et

**sont conformes aux directives européennes suivantes :**

2006/42/CE

et sont produites conformément aux normes ou documents de normalisation suivants :

EN60745

La documentation technique est disponible auprès de notre représentant en Europe qui est :

Makita International Europe Ltd.

Michigan Drive, Tongwell,

Milton Keynes, Bucks MK15 8JD, Angleterre

30. 1. 2009



Tomoyasu Kato

Directeur

Makita Corporation

3-11-8, Sumiyoshi-cho,

Anjo, Aichi, 446-8502, JAPAN

# DEUTSCH (Originalanweisungen)

## Erklärung der Gesamtdarstellung

- |   |                    |                         |
|---|--------------------|-------------------------|
| 1. Roter Bereich                          | 11. Einteilung     | 23. Haken               |
| 2. Taste                                  | 12. Pfeil          | 24. Schraube            |
| 3. Akkublock                              | 13. Stahlband      | 25. Ausblasvorrichtung  |
| 4. Sternmarkierung                        | 14. Grifffläche    | 26. Grenzmarkierung     |
| 5. Auslöseschaltung                       | 15. Seitengriff    | 27. Hintere Abdeckung   |
| 6. Lampe                                  | 16. Vorsprung      | 28. Schrauben           |
| 7. Umschalthebel                          | 17. Rille          | 29. Arm                 |
| 8. Hebel zur Änderung der Geschwindigkeit | 18. Kranz          | 30. Feder               |
| 9. Hebel zum Wechseln der Betriebsart     | 19. Werkzeughalter | 31. Abgestufter Bereich |
| 10. Justierungsring                       | 20. Einsatz        | 32. Kohlebürstenkappe   |
|   | 21. Tiefenanschlag | 33. Loch                |
|   | 22. Klemmschraube  |                         |

## TECHNISCHE ANGABEN

Modell		BHP444	BHP454
Kapazität	Beton	14 mm	16 mm
	Stahl	13 mm	13 mm
	Holz	50 mm	65 mm
	Holzschraube	6 mm x 75 mm	10 mm x 89 mm
	Maschinenschraube	6 mm	
Leerlaufgeschwindigkeit (min <sup>-1</sup> )	Hoch (2)	0 - 1.700	
	Niedrig (1)	0 - 400	
Schläge pro Minute (min <sup>-1</sup> )	Hoch (2)	0 - 25.500	
	Niedrig (1)	0 - 6.000	
Gesamtlänge		243 mm	
Nettogewicht		2,3 kg	2,4 kg
Nennspannung		Gleichspannung 14,4 V	Gleichspannung 18 V

- Aufgrund unserer beständigen Forschungen und Weiterentwicklungen sind Änderungen an den hier angegebenen Technischen Daten ohne Vorankündigung vorbehalten.
- Die Technischen Daten und der Akkublock können in den einzelnen Ländern Abweichungen aufweisen.
- Gewicht, mit Akkublock, ermittelt gemäß EPTA-Verfahren 01/2003

### Verwendungszweck

ENE039-1

Das Werkzeug wurde für das Schlagbohren in Ziegel, Beton und Stein sowie für schlagloses Bohren in Holz, Metall, Keramik und Plastik entwickelt.

## Allgemeine Sicherheitshinweise für Elektrowerkzeuge

GEA010-1

**⚠️ WARNUNG Lesen Sie alle Sicherheitshinweise und Anweisungen sorgfältig durch.** Wenn die Hinweise und Anweisungen nicht beachtet werden, besteht die Gefahr eines Stromschlags, Brands und/oder das Risiko von ernsthaften Verletzungen.

## Bewahren Sie alle Hinweise und Anweisungen zur späteren Referenz gut auf.

## SICHERHEITSHINWEISE ZUM AKKU-SCHLAGBOHRSCRAUBER

GEB056-4

1. **Tragen Sie beim Schlagbohren einen Gehörschutz.** Beständige Einwirkung von Lärm kann zu Gehörverlust führen.
2. **Verwenden Sie die ggf. mit dem Werkzeug gelieferten Zusatzgriffe.** Ein Verlust der Kontrolle über das Werkzeug kann zu Verletzungen führen.
3. **Halten Sie das Werkzeug an den isolierten Griffflächen, wenn Sie unter Bedingungen arbeiten, bei denen das Schneidwerkzeug verborgene Kabel berühren kann.** Bei Kontakt des Werkzeugs mit einem stromführenden Kabel wird der Strom an die Metallteile des Elektrowerkzeugs und dadurch an den Bediener weitergeleitet, und der Bediener erleidet einen Stromschlag.
4. **Halten Sie das Werkzeug an den isolierten Griffflächen, wenn Sie unter Bedingungen arbeiten, bei denen das Werkzeug versteckte Kabel berühren kann.** Bei Kontakt des Schraubers mit einem stromführenden Kabel wird der Strom an



die Metallteile des Elektrowerkzeugs und dadurch an den Bediener weitergeleitet, und der Bediener erleidet einen Stromschlag.

5. **Achten Sie jederzeit auf sicheren und festen Stand.**  
Achten Sie bei Verwendung des Werkzeugs an erhöhten Standorten darauf, dass sich keine Personen unter dem Standort aufhalten.
6. **Halten Sie das Werkzeug mit festem Griff.**
7. **Halten Sie Ihre Hände von beweglichen Teilen fern.**
8. **Lassen Sie das Werkzeug nicht unbeaufsichtigt eingeschaltet.** Das Werkzeug darf nur dann eingeschaltet werden, wenn es festgehalten wird.
9. **Berühren Sie kurz nach dem Betrieb weder den Bit-Einsatz noch das Werkstück.** Diese können extrem heiß sein und zu Verbrennungen führen.
10. **Manche Materialien enthalten möglicherweise giftige Chemikalien.** Vermeiden Sie das Einatmen von Staub und den Hautkontakt mit diesen Materialien. Befolgen Sie die Sicherheitshinweise des Materialherstellers.

## BEWAHREN SIE DIESE ANLEITUNG SORGFÄLTIG AUF.

### ⚠️ WARNUNG:

Lassen Sie sich NIE durch Bequemlichkeit oder (aus fortwährendem Gebrauch gewonnener) Vertrautheit mit dem Werkzeug dazu verleiten, die Sicherheitsregeln für das Werkzeug zu missachten. Bei **MISSBRÄUHLICHER** Verwendung des Werkzeugs oder Missachtung der in diesem Handbuch enthaltenen Sicherheitshinweise kann es zu schweren Verletzungen kommen.

## WICHTIGE SICHERHEITSREGELN

ENC007-7

## FÜR AKKUBLOCK

1. **Lesen Sie vor der Verwendung des Akkublocks alle Anweisungen und Sicherheitshinweise für das Akkuladegerät (1), den Akku (2) und das Produkt (3), für das der Akku verwendet wird, sorgfältig durch.**
2. **Der Akkublock darf nicht zerlegt werden.**
3. **Falls die Betriebsdauer erheblich kürzer wird, beenden Sie den Betrieb umgehend. Andernfalls besteht die Gefahr einer Überhitzung sowie das Risiko möglicher Verbrennungen und sogar einer Explosion.**
4. **Wenn Elektrolyt in Ihre Augen gerät, waschen Sie diese mit klarem Wasser aus und suchen Sie sofort einen Arzt auf. Andernfalls können Sie Ihre Sehfähigkeit verlieren.**
5. **Vermeiden Sie einen Kurzschluss des Akkublocks:**
  - (1) **Die Kontakte dürfen nicht mit leitendem Material in Berührung kommen.**
  - (2) **Der Akkublock darf nicht in einem Behälter aufbewahrt werden, in dem sich andere metallische Gegenstände wie beispielsweise Nägel, Münzen usw. befinden.**

- (3) **Der Akkublock darf weder Feuchtigkeit noch Regen ausgesetzt werden.**

- Ein Kurzschluss des Akkus kann zu hohem Kriechstrom, Überhitzung, möglichen Verbrennungen und sogar zu einer Zerstörung des Werkzeugs führen.**
6. **Werkzeug und Akkublock dürfen nicht an Orten aufbewahrt werden, an denen Temperaturen von 50°C oder darüber erreicht werden können.**
  7. **Beschädigte oder verbrauchte Akkus dürfen nicht verbrannt werden. Der Akkublock kann in den Flammen explodieren.**
  8. **Lassen Sie den Akku nicht fallen und vermeiden Sie Schläge gegen den Akku.**
  9. **Verwenden Sie niemals einen beschädigten Akku.**

## BEWAHREN SIE DIESE ANLEITUNG SORGFÄLTIG AUF.

### Tipps für eine maximale Nutzungsdauer von Akkus

1. **Laden Sie den Akkublock auf, bevor der Akku vollständig entladen ist.**  
Sobald Sie eine verringerte Leistung des Werkzeugs bemerken, beenden Sie stets den Betrieb des Werkzeugs und laden Sie den Akkublock auf.
2. **Ein voll aufgeladener Akkublock darf niemals erneut geladen werden.**  
Durch Überladungen wird die Lebensdauer des Akkus verkürzt.
3. **Laden Sie den Akkublock bei einer Zimmertemperatur von 10°C bis 40°C auf. Lassen Sie einen heißen Akkublock vor dem Aufladen abkühlen.**
4. **Laden Sie den Akkublock aller sechs Monate auf, wenn Sie diesen für längere Zeit nicht verwenden.**

## FUNKTIONSBESCHREIBUNG

### ACHTUNG:

- Schalten Sie das Werkzeug stets aus und entfernen Sie den Akkublock, bevor Sie Einstellungen oder eine Funktionsprüfung des Werkzeugs vornehmen.

### Einsetzen und Abnehmen des Akkublocks (Abb. 1)

- Schalten Sie das Werkzeug stets aus, bevor Sie den Akkublock einsetzen oder abnehmen.
- Zum Abnehmen des Akkublocks müssen Sie die Taste auf der Vorderseite des Akkublocks schieben und gleichzeitig den Akkublock aus dem Gerät herausziehen.
- Zum Einsetzen des Akkublocks müssen Sie die Zunge des Akkublocks an der Rille im Gehäuse ausrichten und den Akkublock in die gewünschte Position schieben. Setzen Sie den Akkublock unbedingt ganz ein, bis er mit einem Klick einrastet. Wenn Sie den roten Bereich oben auf der Taste sehen können, ist der Akkublock noch nicht ordnungsgemäß eingerastet. Setzen Sie den Akkublock vollständig ein, bis der rote Bereich nicht mehr zu sehen ist. Andernfalls kann der

Akkublock versehentlich aus dem Gerät fallen und Sie oder Personen in Ihrem Umfeld verletzen.

- Wenden Sie beim Einsetzen des Akkublocks keine Gewalt an. Wenn der Akkublock nicht leicht hineingleitet, ist er nicht richtig angesetzt.

## Akku-Schutzsystem (Lithium-Ionen-Akku ist mit einem Stern gekennzeichnet) (Abb. 2)

Mit einem Stern gekennzeichnete Lithium-Ionen-Akkus verfügen über ein Schutzsystem. Dieses System schaltet die Stromversorgung des Werkzeugs automatisch aus, um die Lebensdauer des Akkus zu verlängern. Unter folgenden Bedingungen des Werkzeugs und/oder des Akkus kann das Werkzeug während des Betriebs automatisch stoppen:

- Überlastet:  
Das Werkzeug wird auf eine Weise betrieben, die zu einer anormal hohen Stromaufnahme führt. Lassen Sie in dieser Situation den Ein/Aus-Schalter des Werkzeugs los und beenden Sie die Arbeiten, die zu der Überlastung des Werkzeugs geführt haben. Betätigen Sie anschließend den Ein/Aus-Schalter wieder, um das Werkzeug wieder in Betrieb zu nehmen.  
Wenn das Werkzeug nicht startet, ist der Akku überhitzt. Lassen Sie in dieser Situation den Akku erst abkühlen, bevor Sie wieder den Ein/Aus-Schalter betätigen.
- Spannung des Akkus zu niedrig:  
Die noch vorhandene Akkuladung ist zu niedrig, und das Werkzeug startet nicht. Entnehmen Sie in dieser Situation den Akku und laden Sie den Akku wieder auf.

## Bedienung des Schalters (Abb. 3)

### ACHTUNG:

- Achten Sie vor dem Einsetzen des Akkublocks in das Werkzeug darauf, dass sich der Auslöseschalter korrekt bedienen lässt und beim Loslassen auf die Position „OFF“ zurückkehrt.

Betätigen Sie zum Starten des Werkzeugs einfach den Auslöseschalter. Die Geschwindigkeit des Werkzeugs wird durch erhöhten Druck auf den Auslöseschalter gesteigert. Lassen Sie die Auslöseschaltung los, um das Werkzeug auszuschalten.

## Einschalten der Frontlampe (Abb. 4)

### ACHTUNG:

- Schauen Sie nicht direkt in das Licht oder in die Lichtquelle.

Ziehen Sie zum Einschalten der Lampe die Auslöseschaltung. Die Lampe leuchtet so lange, wie die Auslöseschaltung gezogen ist. Nach dem Loslassen des Auslösers erlischt die Lampe nach 10 bis 15 Sekunden.

### HINWEIS:

- Wischen Sie Schmutz auf der Lampenlinse mit einem trockenen Tuch ab.  
Achten Sie darauf, die Lampenlinse nicht zu zerkratzen, da dies die Beleuchtungsstärke mindern kann.

## Bedienung des Umschalters (Abb. 5)

Dieses Werkzeug verfügt über einen Umschalter, mit dem die Drehrichtung geändert werden kann. Für eine Drehbewegung im Uhrzeigersinn muss der Umschalthebel von der Seite „A“ nach unten gedrückt werden, und für eine Drehbewegung gegen den Uhrzeigersinn von der Seite „B“.

Wenn sich der Umschalthebel in der neutralen Position befindet, kann der Auslöser nicht gezogen werden.

### ACHTUNG:

- Überprüfen Sie vor jedem Betrieb immer die Drehrichtung.
- Der Umschalter darf nur betätigt werden, wenn das Werkzeug ganz angehalten wurde. Wenn Sie die Drehrichtung ändern, solange das Werkzeug noch läuft, kann es beschädigt werden.
- Ist das Werkzeug nicht in Gebrauch, muss der Umschalthebel immer auf die neutrale Position gestellt werden.

## Änderung der Drehzahl (Abb. 6)




Schalten Sie zum Ändern der Drehzahl zunächst das Werkzeug aus, und schieben Sie dann den Hebel zur Änderung der Drehzahl auf „2“ (hohe Drehzahl) oder „1“ (niedrige Drehzahl). Überprüfen Sie vor dem Betrieb des Werkzeugs, ob sich der Hebel zur Änderung der Geschwindigkeit in der richtigen Position befindet. Verwenden Sie die für Ihre Arbeit geeignete Geschwindigkeit.

### ACHTUNG:

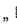


- Stellen Sie den Hebel zur Änderung der Geschwindigkeit immer ganz in die richtige Position. Wenn Sie das Werkzeug betreiben und sich dieser Hebel zwischen der Einstellung „1“ und „2“ befindet, kann das Werkzeug beschädigt werden.
- Der Hebel zur Änderung der Geschwindigkeit darf nicht betätigt werden, solange das Werkzeug läuft. Andernfalls kann das Werkzeug beschädigt werden.

## Auswahl der Betriebsart (Abb. 7)

Dieses Werkzeug verfügt über einen Hebel zum Wechsel der Betriebsart. Mit Hilfe dieses Hebels können Sie die Betriebsart auswählen, die sich für Ihre Arbeitsanforderungen am besten eignet. Es stehen drei Betriebsarten zur Auswahl.

Für eine reine Drehbewegung müssen Sie den Hebel so schieben, dass der Pfeil auf dem Werkzeugkörper auf die Markierung  zeigt. Für eine Schlag-Drehbewegung müssen Sie den Hebel so schieben, dass der Pfeil auf dem Werkzeugkörper auf die Markierung  zeigt. Für eine Drehbewegung mit Drehmomentkupplung müssen Sie den Hebel so schieben, dass der Pfeil auf dem Werkzeugkörper auf die Markierung  zeigt.

### HINWEIS:

- Wenn Sie die Position von „ auf „“ ändern, kann unter Umständen das Schieben des Hebels etwas erschwert sein. Schalten Sie in diesem Fall das Werkzeug für eine Sekunde in Position „“ ein, schalten Sie es anschließend aus und schieben Sie dann den Hebel in die gewünschte Position.

## **ACHTUNG:**

- Stellen Sie den Hebel immer richtig auf die gewünschte Betriebsartmarkierung. Wenn Sie das Werkzeug betreiben und sich der Hebel zwischen den einzelnen Betriebsartmarkierungen befindet, kann das Werkzeug beschädigt werden.

## **Einstellen des Anzugsdrehmoments (Abb. 8)**

Das Anzugsdrehmoment kann in 16 Stufen eingestellt werden, indem der Justierungsring so gedreht wird, dass seine Einteilungsschritte am Pfeil auf dem Werkzeugkörper ausgerichtet sind. Das Anzugsdrehmoment ist minimal eingestellt, wenn die Zahl 1 am Pfeil ausgerichtet ist, und maximal, wenn die Zahl 16 am Pfeil ausgerichtet ist.

Schrauben Sie vor dem eigentlichen Betrieb eine Probeschraube in Ihr Material bzw. in ein Materialduplikat, um zu ermitteln, welche Drehmomentstufe für eine bestimmte Anwendung erforderlich ist.

## **MONTAGE**

### **ACHTUNG:**

- Schalten Sie das Werkzeug stets aus und entfernen Sie den Akkublock, bevor Sie Arbeiten am Werkzeug ausführen.

## **Einsetzen des Seitengriffs (Zusatzgriff) (Abb. 9)**

Verwenden Sie stets den Seitengriff, um die Betriebssicherheit zu gewährleisten.

Legen Sie den Seitengriff so ein, dass die Vorsprünge an der Grifffläche und dem Stahlband zwischen die Rillen an der Werkzeughülse passen. Ziehen Sie anschließend den Griff fest, indem Sie ihn im Uhrzeigersinn drehen.

## **Einsetzen oder Entfernen des Dreh- oder Bohreinsatzes (Abb. 10)**

Drehen Sie den Kranz gegen den Uhrzeigersinn, um die Spannfutterbacken zu öffnen. Schieben Sie den Einsatz so weit wie möglich in das Spannfutter. Drehen Sie den Kranz im Uhrzeigersinn, um das Spannfutter anzuziehen. Wenn Sie den Einsatz entfernen möchten, müssen Sie den Kranz gegen den Uhrzeigersinn drehen.

## **Einsetzen des Werkzeughalters (Abb. 11)**

Setzen Sie den Werkzeughalter in den Vorsprung an der linken oder rechten Seite des Werkzeugfußes ein, und befestigen Sie ihn mit einer Schraube.

Wenn Sie den Dreheinsatz nicht verwenden, bewahren Sie ihn in den Werkzeughaltern auf.

Einsätze bis zu einer Länge von 45 mm können dort aufbewahrt werden.

## **Verstellbarer Tiefenanschlag (Abb. 12)**

Der verstellbare Tiefenanschlag wird verwendet, um Löcher mit einheitlicher Tiefe zu bohren. Lösen Sie die Klemmschraube, stellen Sie sie in die gewünschte Position und ziehen Sie die Klemmschraube wieder fest.

## **Haken (Abb. 13)**

Der Haken ist nützlich, wenn Sie das Werkzeug vorübergehend aufhängen möchten.


Er kann an jeder Seite des Werkzeugs befestigt werden. Setzen Sie den Haken zur Montage in eine Rille am Werkzeuggehäuse (die Seite ist beliebig), und befestigen Sie diesen mit einer Schraube. Zur Entfernung müssen Sie nur die Schraube lockern und den Haken herausnehmen.

## **BETRIEB**

### **Schlagbohrbetrieb (Abb. 14)**

#### **ACHTUNG:**


- Beim Lochdurchschlag, wenn das Loch durch Holzspäne und -partikel verstopft ist oder wenn das Werkzeug auf Verstärkungsstangen im Beton trifft, wirken enorme und abrupte Drehkräfte auf das Werkzeug bzw. den Einsatz. Verwenden Sie stets den Seitengriff (Zusatzgriff) und halten Sie während der Arbeit das Werkzeug am Seitengriff und am Schaltergriff fest. Andernfalls können Sie die Kontrolle über das Werkzeug verlieren und sich schwer verletzen.

Schieben Sie den Hebel zum Wechsel der Betriebsart zunächst so, dass er auf die Markierung  zeigt. Für diesen Vorgang kann der Justierungsring an jeder beliebigen Drehmomentstufe ausgerichtet sein. Achten Sie darauf, dass Sie einen Einsatz mit einer Hartmetallspitze verwenden. Setzen Sie den Einsatz auf die gewünschte Position des Lochs, und ziehen Sie dann den Auslöseschalter. Verwenden Sie das Werkzeug nicht mit Gewalt. Wenn Sie nur leichten Druck ausüben, erzielen Sie die besten Ergebnisse. Halten Sie das Werkzeug in Position und achten Sie darauf, dass es nicht vom Loch abrutscht. Verstärken Sie den Druck nicht, wenn das Loch durch Holzspäne oder -partikel verstopft ist. Führen Sie stattdessen das Werkzeug im Leerlauf aus, und entfernen Sie dann den Einsatz teilweise aus dem Loch. Wenn Sie diesen Vorgang mehrmals wiederholen, wird das Loch gesäubert, und Sie können die normale Bohrung fortsetzen.

### **Ausblasvorrichtung (optionales Zubehör) (Abb. 15)**

Wenn Sie das Loch gebohrt haben, entfernen Sie mit Hilfe der Ausblasvorrichtung den Staub aus dem Loch.

### **Schraubendreherbetrieb**

Schieben Sie den Hebel zum Wechsel der Betriebsart zunächst so, dass er auf die Markierung  zeigt. Stellen Sie den Justierungsring auf die für Ihre Arbeit geeignete Drehmomentstufe. Gehen Sie anschließend wie folgt vor. Setzen Sie die Spitze des Dreheinsatzes in den Schraubenkopf, und üben Sie Druck auf das Werkzeug aus. Starten Sie das Werkzeug langsam, und erhöhen Sie sie nach und nach die Geschwindigkeit. Lassen Sie die Auslöseschaltung los, sobald die Kupplung greift.

#### **HINWEIS:**

- Vergewissern Sie sich, dass der Dreheinsatz gerade im Schraubenkopf sitzt. Andernfalls kann die Schraube und/oder der Einsatz beschädigt werden.
- Bohren Sie beim Drehen von Holzschrauben Löcher für die Schrauben vor, damit das Drehen vereinfacht wird und das Werkstück nicht splittiert. Siehe Tabelle.

Nennendurchmesser der Holzschraube (mm)	Empfohlene Größe des vorgebohrten Lochs (mm)
3,1	2,0 - 2,2
3,5	2,2 - 2,5
3,8	2,5 - 2,8
4,5	2,9 - 3,2
4,8	3,1 - 3,4
5,1	3,3 - 3,6
5,5	3,6 - 3,9
5,8	4,0 - 4,2
6,1	4,2 - 4,4


#### HINWEIS:

- Wenn das Werkzeug bis zur vollständigen Entladung des Akkus betrieben wurde, lassen Sie es 15 Minuten liegen, bevor Sie mit einem neuen Akku fortfahren.

## Bohrbetrieb

#### ACHTUNG:

- Der Bohrvorgang kann durch übermäßigen Druck auf das Werkzeug nicht beschleunigt werden. Dieser übermäßige Druck beschädigt im Gegenteil die Spitze Ihres Einsatzes, vermindert die Leistung des Werkzeugs und verkürzt die Lebensdauer des Werkzeugs.
- Beim Lochdurchschlag wirken enorme Kräfte auf das Werkzeug/den Einsatz. Halten Sie das Werkzeug fest, und seien Sie vorsichtig, wenn der Einsatz das Werkstück durchbricht.
- Ein feststehender Einsatz kann einfach wieder herausgezogen werden, indem die Drehrichtung mit dem Umschalter geändert wird. Es kann jedoch zu einem abrupten Rückschlag des Werkzeugs kommen, wenn Sie es nicht ganz fest halten.
- Befestigen Sie kleine Werkstücke immer in einem Schraubstock oder einer ähnlichen Haltevorrichtung.
- Wenn das Werkzeug bis zur vollständigen Entladung des Akkus betrieben wurde, lassen Sie es 15 Minuten liegen, bevor Sie mit einem neuen Akku fortfahren.

Schieben Sie den Hebel zum Wechsel der Betriebsart zunächst so, dass er auf die Markierung  zeigt. Für diesen Vorgang kann der Justierungsring an jeder beliebigen Drehmomentstufe ausgerichtet sein. Gehen Sie anschließend wie folgt vor.

#### Bohren in Holz

Beim Bohren in Holz werden die besten Ergebnisse mit Holzbohrern erzielt, die mit einer Leitspindel ausgestattet sind. Die Leitspindel vereinfacht den Bohrprozess, indem sie den Einsatz in das Werkstück zieht.

#### Bohren in Metall

Damit der Bohrer beim Beginn einer Lochbohrung nicht abrutscht, machen Sie mit einem Körner eine Einkerbung, und hämmern Sie auf den Punkt, an dem gebohrt werden soll. Setzen Sie die Spitze des Einsatzes in die Einkerbung, und starten Sie den Bohrvorgang. Verwenden Sie beim Bohren in Metall einen Schneideschmierstoff. Ausgenommen hiervon sind Eisen und Messing; diese Metalle sollten trocken gebohrt werden.

## WARTUNG

#### ACHTUNG:

- Schalten Sie das Werkzeug stets aus und entfernen Sie den Akkublock, bevor Sie Inspektionen oder Wartungsarbeiten am Werkzeug vornehmen.
- Verwenden Sie zum Reinigen niemals Kraftstoffe, Benzin, Verdünner, Alkohol oder ähnliches. Dies kann zu Verfärbungen, Verformungen oder Rissen führen.

#### Ersetzen der Kohlebürsten (Abb. 16)

Ersetzen Sie diese, wenn sie bis zur Grenzmarkierung abgenutzt sind. Halten Sie die Kohlebürsten sauber und sorgen Sie dafür, dass sie locker in den Halterungen liegen.

Beide Kohlebürsten sollten gleichzeitig ersetzt werden. Verwenden Sie nur identische Kohlebürsten.

Entfernen Sie die beiden Schrauben mit einem Schraubendreher, und entfernen Sie dann die hintere Abdeckung. **(Abb. 17)**

Heben Sie den Federarm, und setzen Sie diesen dann mit der schlanken Spitze eines Schlitzschraubendrehers oder einem ähnlichen Gegenstand in den abgestuften Bereich des Gehäuses. **(Abb. 18)**

Entfernen Sie die Kohlebürstenkappen der Kohlebürsten mit einer Zange. Entnehmen Sie die verbrauchten Kohlebürsten, legen Sie die neuen ein und bringen Sie die Kohlebürstenkappen in umgekehrter Reihenfolge wieder an. **(Abb. 19)**

Vergewissern Sie sich, dass die Kohlebürstenkappen fest in den Öffnungen der Bürstenhalter sitzen. **(Abb. 20)** Setzen Sie die hintere Abdeckung wieder ein, und ziehen Sie die beiden Schrauben fest an. Um die SICHERHEIT und ZUVERLÄSSIGKEIT des Produkts zu gewährleisten, sollten Reparaturen, Wartungsarbeiten und Einstellungen nur durch von Makita autorisierte Service Center durchgeführt und immer Makita-Ersatzteile verwendet werden.

## SONDERZUBEHÖR

#### ACHTUNG:

- Für das in diesem Handbuch beschriebene Makita-Gerät werden die folgenden Zubehör- und Zusatzteile empfohlen. Bei Verwendung anderer Zubehör- und Zusatzteile kann es zu Verletzungen kommen. Verwenden Sie Zubehör- und Zusatzteile nur für den vorgesehenen Zweck.

Informationen zu diesem Zubehör erhalten Sie von Ihrem Makita-Servicecenter.

- Bohreinsätze
- Schlagbohreinsätze
- Schraubendrehereinsätze
- Ausblasvorrichtung
- Sicherheitsgläser
- Verschiedene Arten von Makita-Originalakkus und Ladegeräten
- Griff-Set
- Tiefenanschlag
- Haken
- Gummipolster-Set
- Wollhaube
- Polierschwamm

## HINWEIS:

- Einige der in der Liste aufgeführten Elemente sind dem Werkzeugpaket als Standardzubehör beigelegt. Diese können in den einzelnen Ländern voneinander abweichen.

## Geräuschpegel

ENG905-1

Typischer A-bewerteter Schallpegel nach EN60745:

### Modell BHP444

Schalldruckpegel ( $L_{pA}$ ): 85 dB (A)  
Schalleistungspegel ( $L_{WA}$ ): 96 dB (A)  
Abweichung (K): 3 dB (A)

### Modell BHP454

Schalldruckpegel ( $L_{pA}$ ): 86 dB (A)  
Schalleistungspegel ( $L_{WA}$ ): 97 dB (A)  
Abweichung (K): 3 dB (A)

### Tragen Sie Gehörschutz.

## Schwingung

ENG900-1

Schwingungsgesamtwerte (Vektorsumme dreier Achsen) nach EN60745:

### Modell BHP444

Arbeitsmodus: Schlagbohren in Beton  
Schwingungsbelastung ( $a_{h,1D}$ ): 9,0 m/s<sup>2</sup>  
Abweichung (K): 2,0 m/s<sup>2</sup>

Arbeitsmodus: Bohren in Metall  
Schwingungsbelastung ( $a_{h,1D}$ ): 2,5 m/s<sup>2</sup> oder weniger  
Abweichung (K): 1,5 m/s<sup>2</sup>

### Modell BHP454

Arbeitsmodus: Schlagbohren in Beton  
Schwingungsbelastung ( $a_{h,1D}$ ): 7,5 m/s<sup>2</sup>  
Abweichung (K): 1,5 m/s<sup>2</sup>

Arbeitsmodus: Bohren in Metall  
Schwingungsbelastung ( $a_{h,1D}$ ): 2,5 m/s<sup>2</sup> oder weniger  
Abweichung (K): 1,5 m/s<sup>2</sup>

ENG901-1

- Der hier angegebene Wert für die erzeugten Schwingungen wurde gemäß dem genormten Testverfahren ermittelt und kann als Vergleich zu anderen Werkzeugen herangezogen werden.
- Der angegebene Wert für die erzeugten Schwingungen ist außerdem für eine vorbeugende Bewertung der Belastung zu verwenden.

## WARNUNG:

- Die Schwingungsbelastung kann bei tatsächlichem Gebrauch des Elektrowerkzeugs in Abhängigkeit von der Handhabung des Elektrowerkzeugs von dem hier aufgeführten Wert abweichen.
- Stellen Sie sicher, dass Schutzmaßnahmen für den Bediener getroffen werden, die auf den unter den tatsächlichen Arbeitsbedingungen zu erwartenden Belastungen beruhen (beziehen Sie alle Bestandteile des Arbeitsablaufs ein, also zusätzlich zu den Arbeitszeiten auch Zeiten, in denen das Werkzeug ausgeschaltet ist oder ohne Last läuft).

## Nur für europäische Länder

ENH101-15

## EG-Konformitätserklärung

Wir, Makita Corporation als verantwortlicher

Hersteller, erklären, dass die folgenden Geräte der

Marke Makita:

Bezeichnung des Geräts:

Akku-Schlagbohrschrauber

Nummer / Typ des Modells: BHP444, BHP454

in Serienfertigung hergestellt werden und

**den folgenden Richtlinien der Europäischen Union genügen:**

2006/42/EG

Außerdem werden die Geräte gemäß den folgenden Standards oder Normen gefertigt:

EN60745

Die technische Dokumentation erfolgt durch unseren Bevollmächtigten in Europa:

Makita International Europe Ltd.

Michigan Drive, Tongwell,

Milton Keynes, Bucks MK15 8JD, England

30. 1. 2009



Tomoyasu Kato

Direktor

Makita Corporation

3-11-8, Sumiyoshi-cho,

Anjo, Aichi, 446-8502, JAPAN

## ITALIANO (Istruzioni originali)

### Spiegazione della vista generale

- |  |  |  |
|--|--|--|
| 1. Indicatore rosso                              | 12. Freccia                              | 23. Gancio                               |
| 2. Pulsante                                      | 13. Fascia metallica                     | 24. Vite                                 |
| 3. Batteria                                      | 14. Base dell'impugnatura                | 25. Soffietto a peretta                  |
| 4. Contrassegno a stella                         | 15. Impugnatura laterale                 | 26. Indicatore di limite                 |
| 5. Interruttore                                  | 16. Sporgenza                            | 27. Coperchio posteriore                 |
| 6. Lampada                                       | 17. Scanalatura                          | 28. Viti                                 |
| 7. Leva di inversione della rotazione            | 18. Manicotto                            | 29. Braccio                              |
| 8. Leva di regolazione della velocità            | 19. Portapunte                           | 30. Molla                                |
| 9. Leva per la modifica della modalità di azione | 20. Punta                                | 31. Parte incavata                       |
| 10. Anello di regolazione                        | 21. Asta di regolazione della profondità | 32. Protezione della spazzola di carbone |
| 11. Regolazione                                  | 22. Vite di serraggio                    | 33. Foro                                 |

## CARATTERISTICHE TECNICHE

Modello		BHP444	BHP454
Capacità	Cemento	14 mm	16 mm
	Metallo	13 mm	13 mm
	Legno	50 mm	65 mm
	Vite per legno	6 mm x 75 mm	10 mm x 89 mm
	Vite per metallo	6 mm	
Velocità senza carico (min <sup>-1</sup> )	Elevata (2)	0 - 1.700	
	Bassa (1)	0 - 400	
Colpi al minuto (min <sup>-1</sup> )	Elevata (2)	0 - 25.500	
	Bassa (1)	0 - 6.000	
Lunghezza totale		243 mm	
Peso netto		2,3 kg	2,4 kg
Tensione nominale		14,4 V CC	18 V CC

- Le caratteristiche tecniche riportate di seguito sono soggette a modifiche senza preavviso in virtù del nostro programma continuo di ricerca e sviluppo.
- Le caratteristiche tecniche e le batterie possono differire da paese a paese.
- Peso, comprensivo di batterie, calcolato in base alla Procedura EPTA 01/2003

### Uso previsto

ENE039-1

Questo utensile è progettato per la foratura a percussione di mattoni, cemento e pietra, nonché per la foratura di legno, metallo, ceramica e plastica.

## Avvertenze generali di sicurezza per l'uso dell'utensile

GEA010-1

**⚠ AVVERTENZA** Leggere attentamente tutte le avvertenze di sicurezza e le istruzioni. La mancata osservanza delle istruzioni e delle avvertenze riportate di seguito potrebbe provocare scosse elettriche, incendi e/o lesioni gravi.

## Conservare le avvertenze e le istruzioni per riferimenti futuri.

## AVVERTENZE DI SICUREZZA PER IL TRAPANO AVVITATORE A BATTERIA CON PERCUSSIONE

GEB056-4

- Durante l'uso i trapani a percussione è necessario indossare una protezione acustica.** L'esposizione al rumore può causare la perdita della capacità uditiva.
- Utilizzare le maniglie ausiliarie, se fornite con l'utensile.** La perdita di controllo può provocare lesioni personali.
- Se vengono eseguite operazioni in cui l'accessorio di taglio può toccare fili nascosti, impugnare l'utensile con i punti di presa isolati.** Se l'accessorio da taglio entra a contatto con un filo percorso da corrente, le parti metalliche esposte dell'utensile si troveranno anch'esse sotto tensione e potrebbero provocare scosse elettriche all'operatore.
- Se vengono eseguite operazioni in cui il dispositivo di fissaggio può toccare fili nascosti, impugnare l'utensile per i punti di presa isolati.** Se il dispositivo di fissaggio entra a contatto con un filo percorso da corrente, le parti metalliche esposte

- dell'utensile si troveranno anch'esse sotto tensione e potrebbero provocare scosse elettriche all'operatore.
5. **Accertarsi sempre di avere un equilibrio stabile. Controllare che nessuno si trovi sotto all'utensile quando lo si utilizza in posizioni elevate.**
  6. **Tenere l'utensile in modo saldo.**
  7. **Tenere le mani lontano dalle parti rotanti.**
  8. **Non lasciare l'utensile acceso. Azionare l'utensile solo dopo averlo impugnato.**
  9. **Non toccare la punta o il pezzo in lavorazione subito dopo aver utilizzato l'utensile in quanto possono raggiungere temperature elevate e provocare ustioni.**
  10. **Alcuni materiali contengono prodotti chimici che possono essere tossici. Prendere le adeguate precauzioni per evitare l'inalazione della polvere e il contatto con la pelle. Attenersi alle istruzioni per la sicurezza del fornitore dei materiali.**

## CONSERVARE QUESTE ISTRUZIONI.

### ⚠ AVVERTENZA:

**NON** lasciare che la familiarità acquisita con il prodotto (dovuta all'uso ripetuto) provochi l'inosservanza delle norme di sicurezza per il presente prodotto. L'USO IMPROPRIO o la mancata osservanza delle norme di sicurezza contenute in questo manuale di istruzioni possono provocare gravi lesioni personali.

## ISTRUZIONI IMPORTANTI PER LA SICUREZZA

ENC007-7

## RELATIVE ALLA BATTERIA

1. **Prima di utilizzare la batteria, leggere tutte le istruzioni e gli avvisi di sicurezza relativi a (1) caricabatteria, (2) batteria e (3) prodotto utilizzato con la batteria.**
2. **Non smontare la batteria.**
3. **Se il tempo di funzionamento è diventato eccessivamente breve, non utilizzare l'utensile. Potrebbero verificarsi surriscaldamenti, ustioni o esplosioni.**
4. **In caso di contatto dell'elettrolita della batteria con gli occhi, sciacquare con acqua fresca e rivolgersi immediatamente a un medico. Potrebbero verificarsi danni permanenti alla funzionalità visiva.**
5. **Non cortocircuitare la batteria:**
  - (1) **Non toccare i terminali della batteria con materiale in grado di condurre elettricità.**
  - (2) **Evitare di conservare la batteria a contatto con oggetti metallici quali chiodi, monete e così via.**
  - (3) **Non esporre le batterie all'acqua o alla pioggia.**

**Un cortocircuito può provocare un elevato flusso di corrente, surriscaldamento, ustioni o rotture.**

6. **Non conservare l'utensile e la batteria a una temperatura superiore a 50 °C.**

7. **Evitare di smaltire le batterie danneggiate o esaurite bruciandole. Se esposte al fuoco, le batterie possono esplodere.**
8. **Evitare di far cadere o di colpire la batteria.**
9. **Non utilizzare batterie danneggiate.**

## CONSERVARE QUESTE ISTRUZIONI.

### Suggerimenti il prolungamento della durata della batteria

1. **Caricare le batterie prima di scaricarle completamente.**  
**Se si nota una diminuzione di potenza dell'utensile, interrompere il lavoro e ricaricare la batteria.**
2. **Non ricaricare una batteria già completamente carica.**  
**In caso contrario, la durata operativa della batteria potrebbe ridursi.**
3. **Caricare la batteria in ambienti con temperatura compresa tra 10 °C e 40 °C. Prima di caricare una batteria surriscaldata, lasciarla raffreddare.**
4. **Caricare la batteria una volta ogni sei mesi se l'utensile rimane inutilizzato per lungo tempo.**

## DESCRIZIONE FUNZIONALE

### ATTENZIONE:

- Prima di regolare o controllare le funzioni dell'utensile, verificare sempre di averlo spento e di aver rimosso la batteria.

### Installazione o rimozione della batteria (Fig. 1)

- Prima di installare o rimuovere la batteria occorre sempre spegnere l'utensile.
- Per rimuovere la batteria è sufficiente estrarla dall'utensile facendo scorrere il pulsante nella parte anteriore della batteria.
- Per installare la batteria, allineare la linguetta sulla batteria con la scanalatura nell'alloggiamento e farla scorrere in posizione. Inserire a fondo la batteria fino a quando si blocca in posizione con uno scatto. Se è visibile l'indicatore rosso sul lato superiore del pulsante significa che la batteria non è completamente inserita. Inserirla a fondo fino a quando l'indicatore rosso non è più visibile. In caso contrario potrebbe fuoriuscire accidentalmente dall'utensile e provocare danni all'operatore o a eventuali osservatori.
- Non forzare l'inserimento della batteria. Se la batteria non scorre agevolmente significa che la manovra di inserimento non è corretta.

### Sistema di protezione della batteria (batteria agli ioni di litio con contrassegno a stella) (Fig. 2)

Le batterie agli ioni di litio con contrassegno a stella sono dotate di una sistema di protezione. Questo sistema interrompe automaticamente l'alimentazione dell'utensile per prolungare la durata della batteria.

L'utensile viene spento automaticamente durante l'uso se l'utensile stesso e/o la batteria vengono utilizzati in una delle condizioni riportate di seguito:

- **Sovraccarico:**

L'utensile viene utilizzato con modalità che provocano un anomalo assorbimento di corrente. In questa situazione occorre rilasciare l'interruttore di accensione dell'utensile e interrompere l'operazione che ha provocato il sovraccarico dell'utensile stesso. Azionare di nuovo l'interruttore di accensione per riavviare l'utensile.

Se l'utensile non sia avviato si è verificato un surriscaldamento della batteria. In questa situazione occorre far raffreddare la batteria prima di azionare nuovamente l'interruttore di accensione.

- **Bassa tensione della batteria:**

La capacità rimanente della batteria è troppo bassa e non consente di utilizzare l'utensile. In questo caso occorre rimuovere e ricaricare la batteria.

## Azionamento dell'interruttore (Fig. 3)

### ATTENZIONE:

- Prima di inserire la batteria nell'utensile, controllare se l'interruttore funziona correttamente e ritorna alla posizione "SPENTO" una volta rilasciato.

Per avviare l'utensile è sufficiente premere l'interruttore.

Per aumentare la velocità dell'utensile, aumentare la pressione sull'interruttore. Per spegnerlo rilasciare l'interruttore di accensione.

## Accensione delle lampada frontale (Fig. 4)

### ATTENZIONE:

- Non osservare direttamente la luce o la fonte luminosa. Per accendere la lampada, azionare l'interruttore. La lampada rimane accesa fino a quando si tiene premuto l'interruttore. La lampada si spegne automaticamente 10-15 secondi dopo aver rilasciato l'interruttore.

### NOTA:

- Utilizzare un panno asciutto per pulire la lente della lampada.  
Fare attenzione a non graffiare la lente della lampadina per evitare riduzioni dell'intensità luminosa.

## Azionamento della leva di inversione della rotazione (Fig. 5)

Questo utensile è dotato di una leva di inversione che consente di modificare la direzione di rotazione. Premere la leva di inversione dal lato "A" se si desidera una rotazione in senso orario, dal lato "B" se si desidera una rotazione in senso antiorario.

Quando la leva di inversione si trova nella posizione centrale è impossibile azionare l'interruttore.

### ATTENZIONE:

- Prima di azionare l'utensile, controllare sempre la direzione di rotazione impostata.
- Utilizzare la leva di inversione solo quando l'utensile è completamente fermo. Modificare la direzione di rotazione prima dell'arresto può danneggiare l'utensile.
- Se non si utilizza l'utensile, posizionare sempre la leva di inversione nella posizione centrale.

## Modifica della velocità (Fig. 6)




Per modificare la velocità, spegnere l'utensile e far scorrere la leva di regolazione sulla posizione "2" se si desidera una velocità elevata o sulla posizione "1" se si desidera una velocità minore. Prima di azionare l'utensile, accertarsi di aver selezionato la velocità corretta. Utilizzare la velocità più adatta al lavoro da eseguire.

### ATTENZIONE:




- Posizionare accuratamente la leva di regolazione della velocità sulla posizione corretta. Se si aziona l'utensile mentre la leva di regolazione si trova in una posizione intermedia tra "1" e "2", l'utensile potrebbe essere danneggiato.
- Non utilizzare la leva di commutazione della velocità mentre si utilizza l'utensile. L'uso in tali condizioni può danneggiare l'utensile.

## Selezione della modalità operativa (Fig. 7)

Questo utensile dispone di una leva che consente di modificare la modalità operativa. Selezionare con la leva la modalità operativa più appropriata per il lavoro da eseguire.

Per selezionare la foratura semplice, far scorrere la leva fino a quando indica il simbolo  sul corpo dell'utensile. Per selezionare la foratura con percussione, far scorrere la leva fino a quando indica il simbolo  sul corpo dell'utensile. Per selezionare la foratura con frizione, far scorrere la leva fino a quando indica il simbolo  sul corpo dell'utensile.

### NOTA:

- Quando si passa dalla posizione "" alla posizione "", lo scorrimento della leva di modifica della modalità operativa potrebbe essere difficoltoso. In questo caso, impostare la leva sulla posizione "", accendere e azionare l'utensile per un secondo, quindi spegnere l'utensile e impostare la posizione desiderata.

### ATTENZIONE:

- Impostare sempre l'anello in corrispondenza della posizione desiderata. Se si aziona l'utensile mentre la leva si trova in una posizione intermedia tra due modalità, l'utensile potrebbe essere danneggiato.

## Regolazione della coppia di serraggio (Fig. 8)

È possibile regolare la coppia di serraggio su 16 posizioni ruotando l'anello di regolazione fino ad allineare la posizione desiderata con la freccia presente sul corpo dell'utensile. La coppia di serraggio è minima quando la freccia si trova in corrispondenza del numero 1 e massima quando si trova in corrispondenza del numero 16.

Prima di iniziare il lavoro, avvitare una vite nel materiale da utilizzare o in un pezzo di materiale identico per individuare il livello di coppia più appropriato per la specifica esigenza.



# MONTAGGIO

## ATTENZIONE:

- Prima di eseguire qualsiasi operazione sull'utensile, verificare sempre di averlo spento e di aver rimosso la batteria.

## Installazione dell'impugnatura laterale ausiliaria (Fig. 9)

Utilizzare sempre l'impugnatura laterale per operare in sicurezza.

Inserire l'impugnatura laterale in modo che le sporgenze sulla base dell'impugnatura e sulla fascia metallica si inseriscano tra le scanalature sul portautensili. Serrare l'impugnatura ruotandola in senso orario.

## Installazione o rimozione della punta da trapano o da avvitatura (Fig. 10)

Ruotare il manicotto in senso antiorario per aprire le griffe del mandrino. Inserire completamente la punta nel mandrino. Ruotare il manicotto in senso orario per serrare il mandrino.

Per rimuovere la punta, ruotare il manicotto in senso antiorario.

## Installazione del portapunte (Fig. 11)

Inserire il portapunte nella sporgenza presente sulla base dell'utensile, a destra o a sinistra, e fissarlo con una vite. Quando non si utilizza la punta è possibile riporla nel portapunte.

Il portapunte consente di alloggiare punte lunghe 45 mm.

## Asta di regolazione della profondità (Fig. 12)

L'asta consente di eseguire fori di profondità uniforme. Allentare la vite di serraggio, impostare la posizione desiderata, quindi stringere la vite di serraggio.

## Gancio (Fig. 13)

Il gancio è utile per appendere temporaneamente l'utensile.

Può essere installato su entrambi i lati dell'utensile.

Per installare il gancio, inserirlo in una delle scanalature presenti su ambo i lati dell'alloggiamento dell'utensile e fissarlo con una vite.


Per rimuovere il gancio, allentare la vite ed estrarlo.

# FUNZIONAMENTO

## Foratura con percussione (Fig. 14)

### ATTENZIONE:

- Quando la foratura è al termine, quando il foro è ostruito da frammenti e schegge o quando la punta colpisce i tondini di metallo incorporati nel cemento, la punta e lo strumento sono soggetti a una forza di torsione di notevole intensità. Durante il funzionamento, tenere sempre l'utensile utilizzando sia l'impugnatura con l'interruttore sia la maniglia ausiliaria laterale. In caso contrario è possibile perdere il controllo dell'utensile e incorrere nel rischio di gravi lesioni personali.


Far scorrere innanzitutto la leva di modifica della modalità operativa sulla posizione contrassegnata dal simbolo .

Per questa modalità operativa l'anello può essere allineato su uno qualsiasi dei livelli di coppia. Utilizzare sempre punte con estremità in carburo di tungsteno. Collocare la punta nella posizione desiderata per il foro, quindi premere l'interruttore. Non forzare l'utensile. Una pressione lieve produce i risultati migliori. Mantenere l'utensile in posizione e impedire che la punta fuoriesca dal foro. Non aumentare la pressione quando il foro è ostruito da frammenti o schegge. Al contrario, azionare l'utensile alla velocità minima, quindi rimuovere parzialmente la punta dal foro. Ripetere l'operazione più volte fino a quando il foro risulta sgombro ed è possibile riprendere la foratura.

## Soffietto a peretta (accessorio opzionale) (Fig. 15)

Al termine della foratura, utilizzare il soffietto a peretta per ripulire il foro dalla polvere.

## Avvitatura

Far scorrere innanzitutto la leva di modifica della modalità operativa sulla posizione contrassegnata dal simbolo . Impostare con l'anello di regolazione il livello di coppia appropriato per la specifica esigenza. Procedere come indicato di seguito.

Inserire l'estremità della punta nella testa della vite e applicare una pressione all'utensile. Avviare lentamente l'utensile e aumentare gradualmente la velocità. Appena la frizione entra in azione, rilasciare l'interruttore.

### NOTA:

- Accertarsi di aver inserito la punta correttamente nella testa della vite. In caso contrario la punta o la vite potrebbero danneggiarsi.
- Quando si avvitano viti per legno, eseguire preforature per rendere più agevole il lavoro ed evitare fenditure nel pezzo in lavorazione. Vedere la tabella riportata di seguito.

Diametro nominale della vite per legno (mm)	Dimensione consigliata per la preforatura (mm)
3,1	2,0 - 2,2
3,5	2,2 - 2,5
3,8	2,5 - 2,8
4,5	2,9 - 3,2
4,8	3,1 - 3,4
5,1	3,3 - 3,6
5,5	3,6 - 3,9
5,8	4,0 - 4,2
6,1	4,2 - 4,4

### NOTA:

- Se si utilizza continuativamente l'utensile fino al completo scaricamento della batteria, attendere 15 minuti prima di continuare a utilizzarlo con una nuova batteria.


## Foratura

### ATTENZIONE:

- Se si applica una pressione eccessiva sull'utensile non si accelera la foratura. Al contrario, una pressione eccessiva può danneggiare l'estremità della punta,

diminuire l'efficacia dell'utensile e abbreviarne la durata operativa.

- Quando la foratura è al termine, l'utensile e la punta sono soggetti a una forza molto intensa. Impugnare saldamente l'utensile e prestare particolare attenzione quando il foro è quasi completato.
- Per rimuovere una punta inceppata è sufficiente invertire il senso di rotazione dell'utensile ed azionarlo brevemente. Tuttavia, se non si impugna saldamente l'utensile, questo potrebbe arretrare improvvisamente.
- Fissare sempre i pezzi in lavorazione di piccole dimensioni utilizzando una morsa o un dispositivo simile.
- Se si utilizza continuamente l'utensile fino al completo scaricamento della batteria, attendere 15 minuti prima di continuare a utilizzarlo con una nuova batteria.

Far scorrere innanzitutto la leva di modifica della modalità operativa sulla posizione contrassegnata dal simbolo . Per questa modalità operativa l'anello può essere allineato su uno qualsiasi dei livelli di coppia. Procedere come indicato di seguito.

### Foratura di legno

In questo caso, per ottenere i risultati migliori è consigliabile utilizzare punte da legno dotate di una vite di guida. Quest'ultima agevola la foratura perché guida la punta nel pezzo in lavorazione.

### Foratura di metallo

Per impedire lo slittamento della punta all'inizio della foratura, utilizzare un punzone per centri e un martello per creare una cavità nella posizione in cui eseguire il foro. Collocare l'estremità della punta nella cavità e iniziare la foratura. Se si forano metalli, utilizzare un lubrificante per taglio. Ferro e ottone devono invece essere forati a secco.

## MANUTENZIONE

### ATTENZIONE:

- Prima di effettuare controlli o operazioni di manutenzione, verificare sempre di aver spento l'utensile e di aver rimosso la batteria.
- Evitare assolutamente di usare benzina, diluenti, solventi, alcol o sostanze simili. In caso contrario, potrebbero verificarsi scoloriture, deformazioni o incrinature.

### Sostituzione delle spazzole di carbone (Fig. 16)

Sostituire le spazzole quando sono consumate fino al limite indicato. Mantenere le spazzole di carbone pulite e libere per farle slittare nei supporti.

Entrambe le spazzole di carbone devono essere sostituite contemporaneamente. Utilizzare solo spazzole di carbone identiche.

Rimuovere le viti che fissano il coperchio posteriore con un cacciavite e asportare il coperchio. (Fig. 17)

Sollevare il braccio della molla e collocarlo nella parte incavata dell'alloggiamento utilizzando un cacciavite ad asta sottile con punta a taglio o uno strumento analogo. (Fig. 18)

Utilizzare le pinze per estrarre i coperchi delle spazzole di carbone. Estrarre le spazzole di carbone consumate,

inserire le nuove spazzole e collocare nuovamente in posizione i coperchi. (Fig. 19)

Accertarsi di aver inserito correttamente i coperchi nei fori dei portaspazzole. (Fig. 20)

Reinstallare il coperchio posteriore e fissare saldamente le due viti. Per mantenere la SICUREZZA e l'AFFIDABILITÀ del prodotto, le riparazioni e qualsiasi altra operazione di manutenzione o regolazione devono essere eseguiti dai centri di assistenza autorizzati Makita utilizzando sempre parti di ricambio Makita.

## ACCESSORI OPZIONALI

### ⚠ ATTENZIONE:

- Si consiglia l'uso dei seguenti accessori per l'utensile Makita descritto in questo manuale. L'uso di qualsiasi altro accessorio potrebbe provocare lesioni personali. Utilizzare gli accessori esclusivamente per l'uso dichiarato.

Per l'assistenza e per ulteriori informazioni su tali accessori, rivolgersi al centro assistenza Makita di zona.

- Punte per foratura
- Punte per trapano a percussione
- Punte per viti
- Soffietto a peretta
- Occhiali di sicurezza
- Numerosi modelli di batterie e caricabatteria originali Makita
- Gruppo impugnatura
- Asta di regolazione della profondità
- Gancio
- Platorello in gomma
- Cuffia in lana
- Tampone per lucidatura

### NOTA:

- Alcuni degli accessori elencati potrebbero essere inclusi nella confezione dell'utensile come accessori standard. Gli accessori standard possono differire da paese a paese.

### Rumorosità

ENG905-1

Il tipico livello di rumore ponderato "A" è determinato in conformità con la norma EN60745:

#### Modello BHP444

Livello di pressione sonora ( $L_{pA}$ ): 85 dB (A)

Livello di potenza sonora ( $L_{WA}$ ): 96 dB (A)

Variazione (K): 3 dB (A)

#### Modello BHP454

Livello di pressione sonora ( $L_{pA}$ ): 86 dB (A)

Livello di potenza sonora ( $L_{WA}$ ): 97 dB (A)

Variazione (K): 3 dB (A)

#### Indossare una protezione acustica.

### Vibrazione

ENG900-1

Il valore totale della vibrazione (somma vettoriale triassiale) è determinato in conformità con la norma EN60745:

#### Modello BHP444

Modalità di lavoro: foratura a percussione del cemento

Emissione di vibrazioni ( $a_{h,1D}$ ): 9,0 m/s<sup>2</sup>

Variazione (K): 2,0 m/s<sup>2</sup>

Modalità di lavoro: foratura metallo

Emissione di vibrazioni ( $a_{h,D}$ ): 2,5 m/s<sup>2</sup> o inferiore  
Variazione (K): 1,5 m/s<sup>2</sup>

#### **Modello BHP454**

Modalità di lavoro: foratura a percussione del  
cemento

Emissione di vibrazioni ( $a_{h,D}$ ): 7,5 m/s<sup>2</sup>

Variazione (K): 1,5 m/s<sup>2</sup>

Modalità di lavoro: foratura metallo

Emissione di vibrazioni ( $a_{h,D}$ ): 2,5 m/s<sup>2</sup> o inferiore

Variazione (K): 1,5 m/s<sup>2</sup>

ENG901-1

- Il valore di emissione delle vibrazioni dichiarato è stato misurato in conformità con il metodo di test standard e può essere utilizzato per confrontare tra loro diversi utensili.
- Il valore dell'emissione delle vibrazioni dichiarato può anche essere usato per stime preliminari dell'esposizione.

#### **⚠ AVVERTENZA:**

- L'emissione delle vibrazioni durante l'uso effettivo dell'utensile elettrico può risultare diversa rispetto al valore dichiarato, in base alla modalità d'uso dell'utensile.
- Assicurarsi di individuare le necessarie misure di sicurezza per proteggere l'operatore in base a una stima dell'esposizione nelle condizioni reali di utilizzo (prendendo in considerazione tutte le fasi del ciclo operativo, come quante volte l'utensile viene spento e i periodi in cui rimane inattivo, oltre al tempo di avviamento).

#### **Solo per i paesi europei**

ENH101-15

#### **Dichiarazione di conformità CE**

**Makita Corporation, in qualità di produttore responsabile, dichiara che gli utensili Makita indicati di seguito:**

Denominazione dell'utensile:

Trapano avvitatore a batterie con percussione

N. modello /Tipo: BHP444, BHP454

appartengono a una produzione in serie e

**sono conformi alle seguenti direttive europee:**

2006/42/EC

Sono inoltre prodotti in conformità con gli standard o i documenti standardizzati riportati di seguito:

EN60745

La documentazione tecnica viene conservata dal rappresentante autorizzato Makita in Europa, ovvero:

Makita International Europe Ltd.

Michigan Drive, Tongwell,

Milton Keynes, Bucks MK15 8JD, Inghilterra

30. 1. 2009



Tomoyasu Kato

Direttore

Makita Corporation

3-11-8, Sumiyoshi-cho,

Anjo, Aichi, 446-8502, JAPAN

## NEDERLANDS (Originele instructies)

### Verklaring van het onderdelenoverzicht

1. Rode deel	12. Pijpunt	23. Haak
2. Knop	13. Metalen klemband	24. Schroef
3. Accu	14. Basis van de zijhandgreep	25. Luchtblazer
4. Ster-merkteken	15. Zijhandgreep	26. Slijtgrensmarkering
5. Aan/uit-schakelaar	16. Uitsteeksel	27. Achterkap
6. Lamp	17. Groef	28. Schroeven
7. Omkeerschakelaar	18. Mof	29. Arm
8. Snelheidsinstelknop	19. Bithouder	30. Veer
9. Werkingsfunctie-instelknop	20. Bit	31. Verdiepte gedeelte
10. Instelring	21. Dieptegeleider	32. Koolborstelkap
11. Schaalverdeling	22. Klenschroef	33. Opening

## TECHNISCHE GEGEVENS

Model		BHP444	BHP454
Capaciteiten	Beton	14 mm	16 mm
	Metaal	13 mm	13 mm
	Hout	50 mm	65 mm
	Houtschroef	6 mm x 75 mm	10 mm x 89 mm
	Machineschroef	6 mm	
Onbelaste snelheid (min <sup>-1</sup> )	Hoog (2)	0 - 1.700	
	Laag (1)	0 - 400	
Aantal slagen (min <sup>-1</sup> )	Hoog (2)	0 - 25.500	
	Laag (1)	0 - 6.000	
Totale lengte		243 mm	
Netto gewicht		2,3 kg	2,4 kg
Nominale spanning		14,4 V gelijkstroom	18 V gelijkstroom

- Als gevolg van ons doorlopende onderzoeks- en ontwikkelingsprogramma, zijn de technische gegevens van dit gereedschap onderhevig aan veranderingen zonder voorafgaande kennisgeving.
- Specificaties en accu's kunnen van land tot land verschillen.
- Gewicht, inclusief de accu, volgens de EPTA-procedure 01/2003


### Gebruiksdoelinden

ENE039-1

Het gereedschap is bedoeld voor hamerboren in baksteen, beton en steen, en tevens voor boren zonder slagwerking in hout, metaal, keramiek en kunststof.

## Algemene veiligheids waarschuwingen voor elektrisch gereedschap

GEA010-1

 **WAARSCHUWING** Lees alle veiligheids waarschuwingen en alle instructies. Het niet volgen van de waarschuwingen en instructies kan leiden tot elektrische schokken, brand en/of ernstig letsel.

## Bewaar alle waarschuwingen en instructies om in de toekomst te kunnen raadplegen.

## VEILIGHEIDSWAARSCHUWINGEN SPECIFIEK VOOR EEN ACCUSCHROEF-BOORHAMERMACHINE

GEB056-4

1. **Draag gehoorbescherming tijdens het gebruik van een slagschroevendraaier/boorhamer.** Blootstelling aan harde geluiden kan leiden tot gehoorbeschadiging.
2. **Gebruik de hulphandgrepen, als deze bij het gereedschap werden geleverd.** Als u de controle over het gereedschap verliest, kan dit leiden tot persoonlijk letsel.
3. **Houd het elektrisch gereedschap vast aan het geïsoleerde oppervlak van de handgrepen wanneer u werkt op plaatsen waar het booraccessoire met verborgen bedrading in aanraking kan komen.** Wanneer het accessoire in aanraking komt met onder spanning staande draden, zullen de niet-geïsoleerde metalen delen van het gereedschap onder spanning komen te staan zodat de gebruiker een elektrische schok kan krijgen.
4. **Houd het elektrisch gereedschap vast aan het geïsoleerde oppervlak van de handgrepen**

- wanneer u werkt op plaatsen waar het bevestigingsmateriaal met verborgen bedrading in aanraking kan komen. Wanneer bevestigingsmaterialen in aanraking komen met onder spanning staande draden, zullen de niet-geïsoleerde metalen delen van het gereedschap onder spanning komen te staan zodat de gebruiker een elektrische schok kan krijgen.
- Zorg er altijd voor dat u stevig staat. Zorg ervoor dat er niemand zich onder u bevindt wanneer u het gereedschap op een hoge plaats gebruikt.
  - Houd het gereedschap stevig vast.
  - Houd uw handen uit de buurt van draaiende delen.
  - Laat het gereedschap niet ingeschakeld liggen. Bedien het gereedschap alleen wanneer u het vasthoudt.
  - Raak de bit en het werkstuk niet onmiddellijk na gebruik aan. Zij kunnen bijzonder heet zijn en brandwonden op uw huid veroorzaken.
  - Sommige materialen bevatten chemische stoffen die giftig kunnen zijn. Neem voorzorgsmaatregelen tegen het inademen van stof en contact met de huid. Volg de veiligheidsinstructies van de leverancier van het materiaal op.

## BEWAAR DEZE INSTRUCTIES.

### ⚠ WAARSCHUWING:

Laat u NIET misleiden door een vals gevoel van comfort en bekendheid met het gereedschap (na veelvuldig gebruik) en neem alle veiligheidsvoorschriften van het betreffende product altijd strikt in acht. VERKEERD GEBRUIK of het niet volgen van de veiligheidsinstructies in deze gebruiksaanwijzing kan leiden tot ernstig persoonlijk letsel.

## BELANGRIJKE VEILIGHEIDSinSTRUCTIES ENC007-7

### VOOR ACCU'S

- Alvorens de accu in gebruik te nemen, leest u eerst alle instructies en waarschuwingsofschriften op (1) de acculader, (2) de accu en (3) het apparaat waarin de accu wordt aangebracht.
- Haal de accu niet uit elkaar.
- Als de gebruikstijd aanzienlijk korter is geworden, stopt u onmiddellijk met het gebruik. Anders kan dit leiden tot kans op oververhitting, mogelijke brandwonden en zelfs een explosie.
- Als de elektrolyt in uw ogen komt, wast u deze uit met schoon water en raadpleegt u onmiddellijk een arts. Dit kan leiden tot verlies van gezichtsvermogen.
- Sluit de accu niet kort:
  - Raak de accupolen niet aan met enig geleidend materiaal.
  - Bewaar de accu niet op een plaats waar deze in aanraking kan komen met andere metalen voorwerpen, zoals spijkers, munten, enz.

- Stel de accu niet bloot aan water of regen. Kortsluiting van de accu kan leiden tot een hoge stroomsterkte, oververhitting, mogelijke brandwonden en zelfs een defect.
- Bewaar het gereedschap en de accu niet op plaatsen waar de temperatuur kan oplopen tot 50 °C of hoger.
- Werp de accu niet in een vuur, zelfs niet als deze al ernstig beschadigd of helemaal versleten is. De accu kan in een vuur exploderen.
- Wees voorzichtig dat u de accu niet laat vallen of ergens tegenaan stoot.
- Gebruik nooit een beschadigde accu.

## BEWAAR DEZE INSTRUCTIES.

### Tips voor een lange levensduur van de accu

- Laad de accu op voordat deze volledig leeg is. Wanneer u merkt dat het gereedschap minder vermogen heeft, stopt u met het gebruik ervan en laadt u eerst de accu op.
- Laad nooit een volledig opgeladen accu op. Te lang opladen verkort de levensduur van de accu.
- Laad de accu op bij een omgevingstemperatuur van 10 °C tot 40 °C. Laat een warme accu eerst afkoelen voordat u deze oplaadt.
- Laad de accu ieder half jaar op als u deze gedurende een lange tijd niet gebruikt.

## BESCHRIJVING VAN DE FUNCTIES

### LET OP:

- Controleer altijd of het gereedschap is uitgeschakeld en de accu is verwijderd alvorens de functies van het gereedschap te controleren of af te stellen.

### De accu aanbrengen en verwijderen (zie afb. 1)

- Schakel het gereedschap altijd uit voordat u de accu aanbrengt of verwijdt.
- Om de accu te verwijderen verschuift u de knop aan de voorkant van de accu en schuift u tegelijkertijd de accu van het gereedschap af.
- Om de accu aan te brengen lijnt u de lip op de accu uit met de groef in de behuizing en duwt u de accu op zijn plaats. Steek de accu zo ver mogelijk in het gereedschap tot u een klinkgeluid hoort. Als u het rode deel aan de bovenkant van de knop kunt zien, is de accuadapter niet goed aangebracht. Breng de accuadapter zo ver mogelijk aan tot het rode deel niet meer zichtbaar is. Als u dit niet doet, kan de accu per ongeluk uit het gereedschap vallen en u of anderen in uw omgeving verwonden.
- Oefen geen grote kracht uit bij het aanbrengen van de accu. Als de accu niet gemakkelijk erin kan worden geschoven, wordt deze niet goed aangebracht.

## Accubeveiligingssysteem (lithiumionaccu met een ster-merkteken) (zie afb. 2)

Lithiumionaccu's met een ster-merkteken zijn uitgerust met een beveiligingssysteem. Dit systeem schakelt automatisch de voeding naar het gereedschap uit om de levensduur van de accu te verlengen.

Het gereedschap zal tijdens gebruik automatisch stoppen wanneer het gereedschap en/of de accu zich in een van de volgende omstandigheden bevinden:

- **Overbelasting:**  
Het gereedschap wordt gebruikt op een manier die ertoe leidt dat een abnormaal hoge stroomsterkte uit de accu wordt getrokken.  
Laat in die situatie de aan/uit-schakelaar van het gereedschap los en stop het gebruik dat ertoe leidde dat het gereedschap overbelast werd. Knijp daarna opnieuw de aan/uit-schakelaar in om het gereedschap weer in te schakelen.  
Als het gereedschap niet wordt ingeschakeld, is de accu oververhit. In die situatie laat u de accu eerst afkoelen voordat u opnieuw de aan/uit-schakelaar inknijpt.
- **Lage accuspanning:**  
De resterende acculading is te laag en het gereedschap wordt niet ingeschakeld. Verwijder in die situatie de accu en laad hem op.

## Aan/uit-schakelaar (zie afb. 3)

### LET OP:

- Controleer altijd, voordat u de accu in het gereedschap steekt, of de aan/uit-schakelaar op de juiste manier schakelt en weer terugkeert naar de uit-stand nadat deze is losgelaten.

Om het gereedschap in te schakelen, knijpt u gewoon de aan/uit-schakelaar in. De draaisnelheid van het gereedschap neemt toe naarmate u meer druk uitoefent op de aan/uit-schakelaar. Laat de aan/uit-schakelaar los om het gereedschap te stoppen

## De lamp op de voorkant inschakelen (zie afb. 4)

### LET OP:

- Kijk niet rechtstreeks in het licht of naar de bron van de lamp.

Knijp de aan/uit-schakelaar in om de lamp op de voorkant in te schakelen. De lamp blijft branden zolang u de aan/uit-schakelaar ingeknepen houdt. De lamp gaat 10 tot 15 seconden nadat u de aan/uit-schakelaar hebt losgelaten uit.

### OPMERKING:

- Gebruik een doek om het vuil van de lens van de lamp te vegen.  
Wees voorzichtig de lens van de lamp niet te bekrassen om de lichtopbrengst niet te verlagen.

## Werking van de omkeerschakelaar (zie afb. 5)

Dit gereedschap is uitgerust met een omkeerschakelaar waarmee u de draairichting kunt omkeren. Druk op de omkeerschakelaar vanaf kant "A" voor de draairichting rechtsom, of vanaf kant "B" voor de draairichting linksom.

Wanneer de omkeerschakelaar in de middenstand staat, kunt u de aan/uit-schakelaar niet inknijpen.

### LET OP:

- Controleer altijd de draairichting alvorens het gereedschap te gebruiken.
- Gebruik de omkeerschakelaar alleen nadat het gereedschap volledig tot stilstand is gekomen. Als u de draairichting verandert voordat het gereedschap volledig stilstaat, kan het gereedschap worden beschadigd.
- Als u het gereedschap niet gebruikt, zet u de omkeerschakelaar altijd in de middenstand.

## De draaisnelheid veranderen (zie afb. 6)

Om de draaisnelheid van het gereedschap te veranderen, schakelt u eerst het gereedschap uit en verschuift u daarna de snelheidsinstelknop naar stand "2" voor een hoge draaisnelheid, of naar stand "1" voor een lage draaisnelheid. Zorg ervoor dat de snelheidsinstelknop in de juiste stand staat alvorens het gereedschap te bedienen. Gebruik de juiste draaisnelheid voor uw klus.

### LET OP:



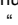
- Zet de snelheidsinstelknop altijd volledig in de gewenste stand. Als u het gereedschap bedient terwijl de snelheidsinstelknop halverwege de standen "1" en "2" staat, kan het gereedschap worden beschadigd.
- Bedien de snelheidsinstelknop niet terwijl het gereedschap draait. Het gereedschap kan hierdoor worden beschadigd.

## De werkingsfunctie kiezen (zie afb. 7)

Dit gereedschap is uitgerust met een werkingsfunctie-instelknop. Kies met deze instelknop uit de drie beschikbare werkingsfuncties degene die het meest geschikt is voor uw klus.

Voor alleen ronddraaien, verschuift u de instelknop zodat deze uitgelijnd is met het symbool  op het gereedschap. Voor ronddraaien met slagwerking, verschuift u de instelknop zodat deze uitgelijnd is met het symbool  op het gereedschap. Voor ronddraaien met slipkoppeling, verschuift u de instelknop zodat deze uitgelijnd is met het symbool  op het gereedschap.

### OPMERKING:

- Wanneer u de stand verandert van "" naar "", kan het een enigszins moeilijk zijn de werkingsfunctie-instelknop te verschuiven. Als dat het geval is, verschuift u de werkingsfunctie-instelknop naar de stand "" en schakelt u het gereedschap eventjes in. Schakel vervolgens het gereedschap uit en verschuift de werkingsfunctie-instelknop naar de gewenste stand.

### LET OP:

- Stel de instelknop altijd in op het symbool van de juiste stand voor uw klus. Als u het gereedschap bedient met de instelknop ingesteld tussen twee werkingsfunctiesymbolen in, kan het gereedschap worden beschadigd.

## Het draaikoppel instellen (zie afb. 8)

Het draaikoppel kan in 16 stappen worden ingesteld door de instelring te draaien zodat de gewenste stand op de schaalverdeling is uitgelijnd met de pijlpunt op de behuizing van het gereedschap. Het draaikoppel is minimaal wanneer stand 1 is uitgelijnd met de pijlpunt, en maximaal wanneer het symbool is uitgelijnd met de pijlpunt.

Bepaal het juiste draaikoppelniveau door bij wijze van proef een schroef in het materiaal of een stuk gelijkwaardig materiaal te draaien, alvorens het gereedschap voor de daadwerkelijke klus te gebruiken.

## ONDERDELEN AANBRENGEN/ VERWIJDEREN

### LET OP:

- Controleer altijd of het gereedschap is uitgeschakeld en de accu is verwijderd alvorens enige werkzaamheden aan het gereedschap te verrichten.

### De zijhandgreep monteren (extra handgreep) (zie afb. 9)

Gebruik altijd de zijhandgreep zodat u veilig kunt werken. Plaats de zijhandgreep zodanig over de kop van het gereedschap dat de uitsteeksel op de basis van de zijhandgreep en metalen klemband in de groeven van het gereedschap passen. Draai daarna de zijhandgreep vast door deze rechtsom te draaien.

### Het schroefbit of boorbit aanbrengen en verwijderen (zie afb. 10)

Draai de mof linksom om de klauwen in de spankop te openen. Steek het bit zo ver mogelijk in de spankop. Draai de mof rechtsom om de spankop te sluiten. Om het bit te verwijderen, draait u de mof linksom.

### De bithouder aanbrengen (zie afb. 11)

Pas de bithouder in de uitsparingen op de linker- of rechterzijkant van de voet van het gereedschap en zet deze vast met een schroef. Wanneer u een bit niet gebruikt, klemt u deze in de bithouder. U kunt hierin bits van 45 mm lengte bewaren.

### Instelbare dieptegeleider (zie afb. 12)

De instelbare dieptegeleider wordt gebruikt om gaten te boren van dezelfde diepte. Draai de klemschroef los, stel de dieptegeleider in op de gewenste boordiepte en draai de klemschroef weer vast.

### Haak (zie afb. 13)

De haak is handig om het gereedschap tijdelijk aan op te hangen.

De haak kan aan beide kanten van het gereedschap worden bevestigd.

U bevestigt de haak door deze in een groef in de behuizing van het gereedschap te steken en vast te zetten met een schroef.

Om de haak te verwijderen, draait u de schroef los en haalt u de haak van het gereedschap af.

## BEDIENING

### Gebruik als boorhamer (zie afb. 14)


#### LET OP:

- Op het moment dat het boorgat doorbreekt, het boorgat verstopt raakt met steentjes of gruis, of de boorkamer de bewapening in het beton raakt wordt een enorme kracht uitgeoefend op het gereedschap/bit. Gebruik altijd de zijhandgreep (hulphandgreep) en houd het gereedschap tijdens gebruik stevig vast aan zowel de zijhandgreep als de hoofdhandgreep. Als u dit niet doet, kan u de controle over het gereedschap verliezen en mogelijk ernstig letsel veroorzaken. Verschuif eerst de werkingfunctie-instelknop naar de stand met het symbool . De instelring kan bij deze werkingfunctie worden ingesteld op ieder draaikoppelniveau. Zorg ervoor dat u een bit met een hardmetalen punt gebruikt. Plaats het bit op het punt waar u wilt boren en knijp de aan/uit-schakelaar in. Duw niet te hard tegen het gereedschap. U verkrijgt het beste resultaat door licht te duwen. Houd het gereedschap op zijn plaats en voorkom dat het tijdens het boren wegglijdt. Duw niet harder tegen het gereedschap wanneer het boorgat verstopt raakt met steentjes of gruis. Laat daarentegen het gereedschap langzaam draaien en haal het bit gedeeltelijk uit het boorgat. Door deze handeling meerder malen te herhalen, wordt het boorgat leeggehaald en kan het normaal boren worden hervat.

### Luchtblazer (los verkrijgbaar) (zie afb. 15)

Gebruik na het boren de luchtblazer om het stof uit het boorgat te blazen.

### Gebruik als schroevendraaier

Verschuif eerst de werkingfunctie-instelknop naar de stand met het symbool . Stel de instelring in op het juiste draaikoppelniveau voor uw klus. Ga daarna als volgt te werk.

Plaats de punt van het schroefbit in de schroefkop en oefen druk uit op het gereedschap. Start het gereedschap op lage snelheid en voer vervolgens de snelheid geleidelijk op. Laat de aan/uit-schakelaar los zodra de koppeling begint te slijpen.

#### OPMERKING:

- Zorg ervoor dat het schroefbit recht op de schroefkop staat omdat anders de schroef en/of het bit kunnen worden beschadigd.
- Bij het schroeven van houtschroeven moet u de boorgaten voorboren om het schroeven te vergemakkelijken en te voorkomen dat het werkstuk splijt. Zie de tabel.

Nominale diameter van houtschroef (mm)	Aanbevolen diameter voorgeboord gat (mm)
3,1	2,0 - 2,2
3,5	2,2 - 2,5
3,8	2,5 - 2,8
4,5	2,9 - 3,2
4,8	3,1 - 3,4
5,1	3,3 - 3,6
5,5	3,6 - 3,9
5,8	4,0 - 4,2
6,1	4,2 - 4,4


#### OPMERKING:

- Als het gereedschap continu wordt bediend totdat de accu leeg is, laat u het gereedschap gedurende 15 minuten liggen alvorens verder te werken met een volle accu.

## Gebruik als boor

#### LET OP:

- Het boren zal niet sneller verlopen als u hard op het gereedschap drukt. In feite zal dergelijk duwen alleen maar leiden tot beschadiging van het bit, verlagen van de prestaties van het gereedschap, en verkorten van de levensduur van het gereedschap.
- Op het moment dat het boorgat doorbreekt wordt een enorme kracht uitgeoefend op het gereedschap/bit. Houd het gereedschap stevig vast en let goed op wanneer het bit door het werkstuk breekt.
- Een vastgelopen bit kan eenvoudigweg worden verwijderd door de omkeerschakelaar in de stand voor achteruitdraaien te zetten om het bit te verwijderen. Het gereedschap kan echter plotseling achteruit komen als u het niet stevig vasthoudt.
- Zet kleine werkstukken altijd vast in een bankschroef of soortgelijk bevestigingsmiddel.
- Als het gereedschap continu wordt bediend totdat de accu leeg is, laat u het gereedschap gedurende 15 minuten liggen alvorens verder te werken met een volle accu.

Verschuif eerst de werkingsfunctie-instelknop naar de stand met het symbool . De instelring kan bij deze werkingsfunctie worden ingesteld op ieder draaikoppelniveau. Ga daarna als volgt te werk.

#### Boren in hout

Bij het boren in hout verkrijgt u de beste resultaten met houtboren voorzien van een geleideschroef. De geleideschroef zorgt ervoor dat het boren gemakkelijker verloopt door het bit in het werkstuk te trekken.

#### Boren in metaal

Om te voorkomen dat bij het beginnen van het boren het bit wegglijdt, maakt u een putje met een centerpons en hamer op het punt waar u wilt boren. Plaats de punt van het bit in het putje en begin te boren. Gebruik bij het boren in metaal een snijolie als smeermiddel. De uitzonderingen hierop zijn ijzer en messing, die droog moeten worden geboord.

## ONDERHOUD

#### LET OP:

- Zorg er altijd voor dat de machine is uitgeschakeld en de accu is verwijderd, voordat u een inspectie of onderhoud uitvoert.
- Gebruik nooit benzine, wasbenzine, thinner, alcohol, enz. Dit kan leiden tot verkleuren, vervormen of barsten.

### De koolborstels vervangen (zie afb. 16)

Vervang deze wanneer ze tot aan de slijtgrensmarkering zijn afgesleten. Houd de koolborstels schoon en zorg ervoor dat ze vrij kunnen bewegen in de houders.

Beide koolborstels dienen tegelijkertijd te worden vervangen. Gebruik alleen identieke koolborstels.

Verwijder met behulp van een schroevendraaier de twee schroeven en vervolgens de achterkap. **(Zie afb. 17)**

Til de arm van de veer op en plaats deze vervolgens in het verdiepte deel van de behuizing met behulp van een platkopschroevendraaier, een dunne steel, of iets dergelijks. **(zie afb. 18)**

Verwijder de koolborstelkap van de koolborstels met behulp van een tang. Haal de versleten koolborstels eruit, plaats de nieuwe erin, en plaats de koolborstelkappen in omgekeerde volgorde terug. **(zie afb. 19)**

Zorg ervoor dat iedere koolborstelkap goed in de opening in de borstelhouder valt. **(zie afb. 20)**

Plaats de achterkap terug en draai de twee schroeven stevig aan. Om de VEILIGHEID en

BETROUWBAARHEID van het gereedschap te handhaven, dienen alle reparaties, onderhoud en afstellingen te worden uitgevoerd door een erkend Makita-servicecentrum, en altijd met gebruikmaking van originele Makita-vervangingsonderdelen.

## VERKRIJGBARE ACCESSOIRES

#### LET OP:

- Deze accessoires of hulpstukken worden aanbevolen voor gebruik met het Makita-gereedschap dat in deze gebruiksaanwijzing wordt beschreven. Het gebruik van andere accessoires of hulpstukken kan gevaar voor persoonlijk letsel opleveren. Gebruik de accessoires of hulpstukken uitsluitend voor de aangegeven gebruiksdoeleinden.

Mocht u meer informatie willen hebben over deze accessoires, dan kunt u contact opnemen met uw plaatselijke Makita-servicecentrum.

- Boorbits
- Boorhamerbits
- Schroefbits
- Luchtblazer
- Veiligheidsbril
- Diverse types originele Makita-accu's en laders
- Zijhandgreep, compleet
- Dieptegeleider
- Haak
- Rubberen accessoire
- Wollen accessoire
- Schuimrubberen polijstaccessoire



**OPMERKING:**

- Sommige items op de lijst kunnen zijn inbegrepen in de doos van het gereedschap als standaard toebehoren. Zij kunnen van land tot land verschillen.

**Geluid** ENG905-1

De typische, A-gewogen geluidsniveaus zijn gemeten volgens EN60745:

**Model BHP444**

Geluidsdrukkniveau ( $L_{pA}$ ): 85 dB (A)  
 Geluidsvermogeniveau ( $L_{wA}$ ): 96 dB (A)  
 Onzekerheid (K): 3 dB (A)

**Model BHP454**

Geluidsdrukkniveau ( $L_{pA}$ ): 86 dB (A)  
 Geluidsvermogeniveau ( $L_{wA}$ ): 97 dB (A)  
 Onzekerheid (K): 3 dB (A)

**Draag gehoorbescherming.****Trilling** ENG900-1

De totale trillingswaarde (triaxiale vectorsom) zoals vastgesteld volgens EN60745:

**Model BHP444**

Gebruikstoepassing: hamerboren in beton  
 Trillingsemismissie ( $a_{h, ID}$ ): 9,0 m/s<sup>2</sup>  
 Onzekerheid (K): 2,0 m/s<sup>2</sup>

Gebruikstoepassing: boren in metaal  
 Trillingsemismissie ( $a_{h, D}$ ): 2,5 m/s<sup>2</sup> of minder  
 Onzekerheid (K): 1,5 m/s<sup>2</sup>

**Model BHP454**

Gebruikstoepassing: hamerboren in beton  
 Trillingsemismissie ( $a_{h, ID}$ ): 7,5 m/s<sup>2</sup>  
 Onzekerheid (K): 1,5 m/s<sup>2</sup>

Gebruikstoepassing: boren in metaal  
 Trillingsemismissie ( $a_{h, D}$ ): 2,5 m/s<sup>2</sup> of minder  
 Onzekerheid (K): 1,5 m/s<sup>2</sup>

ENG901-1

- De opgegeven trillingsemismissiewaarde is gemeten volgens de standaardtestmethode en kan worden gebruikt om dit gereedschap te vergelijken met andere gereedschappen.
- De opgegeven trillingsemismissiewaarde kan ook worden gebruikt voor een beoordeling vooraf van de blootstelling.

**⚠ WAARSCHUWING:**

- De trillingsemismissie tijdens het gebruik van het elektrische gereedschap in de praktijk kan verschillen van de opgegeven trillingsemismissiewaarde afhankelijk van de manier waarop het gereedschap wordt gebruikt.
- Zorg ervoor dat veiligheidsmaatregelen worden getroffen ter bescherming van de operator die zijn gebaseerd op een schatting van de blootstelling onder praktijkomstandigheden (rekening houdend met alle fasen van de bedrijfscyclus, zoals de tijdsduur gedurende welke het gereedschap is uitgeschakeld en stationair draait, naast de ingeschakelde tijdsduur).

**Alleen voor Europese landen****EU-verklaring van conformiteit**

**Wij, Makita Corporation, als de verantwoordelijke fabrikant, verklaren dat de volgende Makita-machine(s):**

Aanduiding van de machine:  
 Accuschroef-boorhamermachine  
 Modelnr./Type: BHP444 en BHP454  
 in serie zijn geproduceerd en

**Voldoen aan de volgende Europese richtlijnen:**  
 2006/42/EC

En zijn gefabriceerd in overeenstemming met de volgende normen of genormaliseerde documenten:  
 EN60745

De technische documentatie wordt bewaard door onze erkende vertegenwoordiger in Europa, te weten:

Makita International Europe Ltd.  
 Michigan Drive, Tongwell,  
 Milton Keynes, Bucks MK15 8JD, Engeland

30. 1. 2009



Tomoyasu Kato  
 Directeur

Makita Corporation  
 3-11-8, Sumiyoshi-cho,  
 Anjo, Aichi, 446-8502, JAPAN

# ESPAÑOL (Instrucciones originales)

## Explicación de los dibujos

- |  |                            |                              |
|--|----------------------------|------------------------------|
| 1. Indicador rojo                            | 11. Graduación             | 23. Gancho                   |
| 2. Botón                                     | 12. Flecha                 | 24. Tornillo                 |
| 3. Cartucho de la batería                    | 13. Banda de acero         | 25. Bulbo de extracción      |
| 4. Marca de estrella                         | 14. Base de la empuñadura  | 26. Marca de límite          |
| 5. Interruptor disparador                    | 15. Mango lateral          | 27. Cubierta trasera         |
| 6. Lámpara                                   | 16. Saliente               | 28. Tornillos                |
| 7. Palanca del interruptor de inversión      | 17. Canal de guía          | 29. Brazo                    |
| 8. Palanca de cambio de velocidad            | 18. Camisa                 | 30. Muelle                   |
| 9. Palanca para el cambio del modo de acción | 19. Portabarrenas          | 31. Parte cóncava            |
| 10. Anilla de ajuste                         | 20. Punta                  | 32. Tapa del portaescobillas |
|  | 21. Varilla de profundidad | 33. Orificio                 |
|  | 22. Tornillo de apriete    |                              |

## ESPECIFICACIONES

Modelo	BHP444	BHP454	
Capacidades	Hormigón	14 mm	16 mm
	Acero	13 mm	13 mm
	Madera	50 mm	65 mm
	Tornillo para madera	6 mm x 75 mm	10 mm x 89 mm
	Tornillo para máquinas	6 mm	
Velocidad en vacío (min <sup>-1</sup> )	Alta (2)	0 - 1.700	
	Baja (1)	0 - 400	
Golpes por minuto (min <sup>-1</sup> )	Alta (2)	0 - 25.500	
	Baja (1)	0 - 6.000	
Longitud total	243 mm		
Peso neto	2,3 kg	2,4 kg	
Tensión nominal	CC de 14,4 V	CC de 18 V	

- Debido a nuestro programa continuo de investigación y desarrollo, las especificaciones aquí descritas están sujetas a cambios sin previo aviso.
- Las especificaciones y el cartucho de la batería pueden variar de un país a otro.
- Peso, con el cartucho de la batería, de acuerdo con el procedimiento EPTA 01/2003

### Uso previsto

ENE039-1

Esta herramienta está diseñada para la perforación mediante percusión en ladrillos, hormigón y piedras, así como para la perforación sin percusión en madera, metal, cerámica y plástico.

## ADVERTENCIAS DE SEGURIDAD DEL TALADRO ATORNILLADOR CON PERCUSIÓN A BATERÍA

GEB056-4

1. **Durante la perforación con percusión, utilice protectores para los oídos.** La exposición al ruido puede producir pérdida auditiva.
2. **Utilice las empuñaduras auxiliares proporcionadas con la herramienta.** La pérdida de control puede ocasionar daños corporales.
3. **Sujete la herramienta por las superficies de agarre aisladas al realizar una operación en que el accesorio de corte pueda entrar en contacto con cables ocultos.** Si entra en contacto con un cable con corriente, puede que las piezas metálicas expuestas de la herramienta eléctrica se carguen también de corriente y que el operario reciba una descarga.
4. **Sujete la herramienta por las superficies de agarre aisladas al realizar una operación en que la herramienta pueda entrar en contacto con cables ocultos.** Si entra en contacto con un cable con corriente, puede que las piezas metálicas expuestas de la herramienta eléctrica se carguen también de corriente y que el operario reciba una descarga.
5. **Colóquese siempre en una posición bien equilibrada.** Si utiliza la herramienta en una ubicación elevada, asegúrese de que nadie se encuentre debajo.
6. **Sujete con fuerza la herramienta.**
7. **Mantenga las manos alejadas de las partes giratorias.**
8. **No deje la herramienta encendida. Póngala en marcha solamente cuando la tenga en las manos.**
9. **No toque la punta ni la pieza de trabajo inmediatamente después de la tarea, ya que pueden estar extremadamente calientes y producir quemaduras en la piel.**

- Algunos materiales contienen sustancias químicas que pueden ser tóxicas. Procure evitar la inhalación de polvo y el contacto con la piel. Siga los datos de seguridad del proveedor del material.

## GUARDE ESTAS INSTRUCCIONES.

### ⚠ ADVERTENCIA:

NO deje que la comodidad o la familiaridad con el producto (a base de utilizarlo repetidamente) sustituya la estricta observancia de las normas de seguridad del producto en cuestión. El MAL USO o la no observancia de las normas de seguridad expuestas en este manual de instrucciones pueden ocasionar graves daños corporales.

## INSTRUCCIONES DE SEGURIDAD IMPORTANTES

ENC007-7

### PARA EL CARTUCHO DE LA BATERÍA

- Antes de utilizar el cartucho de la batería, lea todas las instrucciones y referencias de precaución que se encuentran en (1) el cargador de baterías, (2) la batería y (3) el producto que utiliza la batería.
- No desmonte el cartucho de la batería.
- Si el tiempo de funcionamiento es excesivamente corto, deje de utilizar la herramienta de inmediato. De lo contrario, existe el riesgo de sobrecalentamiento, quemaduras e incluso explosión.
- Si se produce contacto ocular con electrolito, enjuáguese los ojos con agua limpia y acuda de urgencia al médico. Corre el riesgo de perder la visión.
- No cortocircuite el cartucho de la batería:
  - No toque los terminales con material conductor.
  - Evite guardar el cartucho de la batería en un recipiente con otros objetos metálicos, como clavos, monedas, etc.
  - No exponga el cartucho de la batería al agua o a la lluvia.Un cortocircuito puede provocar un elevado flujo de corriente, sobrecalentamiento, quemaduras o incluso una avería.
- No almacene la herramienta ni el cartucho de la batería en lugares donde la temperatura supere los 50°C (122°F).
- No queme el cartucho de la batería aunque esté gravemente dañado o completamente gastado. El cartucho de la batería puede explotar si entra en contacto con fuego.
- Procure que la batería no sufra golpes ni caídas.
- No utilice una batería dañada.

## GUARDE ESTAS INSTRUCCIONES.

## Consejos para conseguir una mayor duración de la batería

- Cargue la batería antes de que se descargue por completo.  
Cuando observe que la herramienta tiene menos potencia, deje de utilizarla y cargue el cartucho de la batería.
- No recargue nunca un cartucho de batería completamente cargado.  
La sobrecarga acorta la vida útil de la batería.
- Cargue el cartucho de la batería a una temperatura ambiente que oscile entre 10°C y 40°C (50°F - 104°F). Antes de cargar un cartucho de batería caliente, deje que se enfríe.
- Cargue la batería una vez cada seis meses si no la utiliza durante un periodo de tiempo prolongado.

## DESCRIPCIÓN DEL FUNCIONAMIENTO

### PRECAUCIÓN:

- Asegúrese siempre de apagar la herramienta y extraer el cartucho de la batería antes de intentar realizar cualquier tipo de ajuste o comprobación en ella.

### Instalación o extracción del cartucho de la batería (Fig. 1)

- Apague siempre la herramienta antes de instalar o extraer el cartucho de la batería.
- Para quitar el cartucho de la batería, mantenga pulsado el botón de la parte frontal del cartucho y retírelo.
- Para instalar el cartucho de la batería, alinee la lengüeta situada en el cartucho de la batería con la ranura del alojamiento e insértela. Insértela siempre completamente hasta que quede firmemente sujeta y se bloquee con un clic. Si puede ver el indicador rojo de la zona superior del botón, significa que el cartucho no está completamente bloqueado. Instálelo completamente hasta que el indicador rojo quede oculto. De lo contrario, el cartucho puede desprenderse accidentalmente de la herramienta y causar lesiones al operario o a alguna persona que se encuentre cerca.
- No haga fuerza al instalar el cartucho de la batería. Si no se inserta suavemente, significa que no lo está instalando correctamente.

### Sistema de protección de la batería (batería de iones de litio con una marca de estrella) (Fig. 2)

Las baterías de iones de litio con una marca de estrella están equipadas con un sistema de protección. Este sistema corta automáticamente la alimentación a la herramienta para ampliar la duración de la batería. La herramienta se detendrá automáticamente durante el funcionamiento si la herramienta y/o la batería se someten a los siguientes estados.

- Sobrecarga:

La herramienta se utiliza de una forma que hace que consuma una cantidad anormalmente alta de corriente.

En ese caso, suelte el interruptor disparador de la herramienta y detenga la aplicación que provocaba que la herramienta se sobrecargara. A continuación vuelva a accionar el interruptor disparador para reanudar las operaciones.

Si la herramienta no se pone en marcha, la batería se sobrecalienta. En ese caso, deje que la batería se enfríe antes de volver a accionar el interruptor disparador.

- Tensión de la batería baja:  
La capacidad restante de la batería es demasiado baja y la herramienta no funcionará. En ese caso, extraiga y recargue la batería.

## Funcionamiento del interruptor (Fig. 3)

### PRECAUCIÓN:

- Antes de insertar el cartucho de la batería en la herramienta, asegúrese siempre de que el interruptor disparador funcione como es debido y que vuelva a la posición "OFF" (apagado) al soltarlo.

Para poner en marcha la herramienta, simplemente accione el interruptor disparador. La velocidad de la herramienta aumenta al incrementar la presión sobre el interruptor disparador. Suelte el interruptor disparador para detener la herramienta.

## Encendido de la luz frontal (Fig. 4)

### PRECAUCIÓN:

- No mire hacia la luz ni mire directamente hacia la fuente de luz.

Tire del interruptor del disparador para encender la luz. La luz permanece encendida mientras se acciona el interruptor disparador. La luz se apaga entre 10 y 15 segundos después de soltar el disparador.

### NOTA:

- Utilice un paño seco para limpiar la suciedad del cristal de la lámpara.  
Procure no rayar el cristal de la lámpara, puesto que puede disminuir el grado de iluminación.

## Funcionamiento del interruptor de inversión (Fig. 5)

Esta herramienta está provista de un interruptor de inversión para cambiar la dirección de giro. Presione la palanca del interruptor de inversión del lado "A" para obtener un giro a la derecha o del lado "B" para girar a la izquierda.

Cuando la palanca del interruptor de inversión está en la posición neutral, el interruptor disparador no se puede accionar.

### PRECAUCIÓN:

- Antes de trabajar, compruebe siempre la dirección del giro.
- Utilice el interruptor de inversión sólo cuando la herramienta se haya detenido por completo, ya que, de lo contrario, la herramienta podría averiarse.
- Cuando no utilice la herramienta, coloque siempre la palanca del interruptor de inversión en la posición neutral.

## Cambio de velocidad (Fig. 6)

Para cambiar la velocidad, apague primero la herramienta y después deslice la palanca de cambio de velocidad hacia el lado "2" para seleccionar la velocidad rápida o hacia el lado "1" para seleccionar la velocidad lenta.

Antes de trabajar, compruebe que la palanca de cambio de velocidad se encuentre en la posición pertinente.


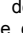
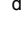
Seleccione la velocidad adecuada en función de la tarea que deba realizar.

### PRECAUCIÓN:

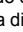
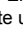

- Coloque siempre la palanca de cambio de velocidad completamente en la posición pertinente. Si utiliza la herramienta cuando la palanca de cambio de velocidad se encuentra a medio camino entre el lado "1" y el lado "2", la herramienta puede averiarse.
- No utilice la palanca de cambio de velocidad mientras la herramienta está en funcionamiento, ya que, de lo contrario, podría averiarse.

## Selección del modo de acción (Fig. 7)

Esta herramienta utiliza una palanca para cambiar el modo de acción. Con la ayuda de esta palanca, seleccione uno de los tres modos disponibles según sus necesidades.

Para giro sólo, deslice la palanca para que apunte hacia la marca  del cuerpo de la herramienta. Para giro con percusión, deslice la palanca para que apunte hacia la marca  del cuerpo de la herramienta. Para giro con embrague, deslice la palanca para que apunte hacia la marca  del cuerpo de la herramienta.

### NOTA:

- Cuando cambie la posición de "  " a "  ", puede tener alguna dificultad para deslizar la palanca de cambio de modo. En ese caso, encienda y utilice la herramienta durante un segundo en la posición "  ", detenga la herramienta y deslice la palanca hasta la posición deseada.

### PRECAUCIÓN:

- Ajuste siempre la palanca correctamente en la marca del modo que desee. Si utiliza la herramienta con la palanca en una posición entre alguno de las marcas de modo, la herramienta podría averiarse.

## Ajuste del par de apriete (Fig. 8)

El par de apriete puede ajustarse en 16 pasos girando la anilla de ajuste de modo que sus graduaciones queden alienadas con la flecha del cuerpo de la herramienta. El par de apriete es mínimo cuando el número 1 está alineado con la flecha y máximo cuando el número 16 está alineado con la flecha.

Antes de realizar el trabajo propiamente dicho, realice un atornillamiento de prueba en el material o en una pieza que no deba utilizar del mismo material para determinar el nivel de apriete necesario para la tarea.

## MONTAJE

### PRECAUCIÓN:

- Asegúrese siempre de apagar la herramienta y extraer el cartucho de la batería antes de intentar realizar cualquier tipo de operación en la herramienta.

## Instalación de la empuñadura lateral (mango auxiliar) (Fig. 9)

Utilice siempre la empuñadura lateral para garantizar un uso seguro.

Inserte la empuñadura lateral de forma que los salientes de la base de la empuñadura y la banda de acero encajen entre los canales de guía del portaherramientas. A continuación, apriete la empuñadura girándola en el sentido de las agujas del reloj.

## Instalación o extracción de la punta del destornillador o de la broca de perforación (Fig. 10)

Gire la camisa a la izquierda para abrir las mordazas del mandril. Inserte completamente la broca o la punta del destornillador en el mandril. Gire la camisa a la derecha para apretar el mandril.

Para extraer la broca o la punta del destornillador, gire la camisa a la izquierda.

## Instalación del portabarreras (Fig. 11)

Encaje el portabarreras en el saliente del pie de la herramienta en el lado izquierdo o derecho y fíjelo con un tornillo.

Cuando no utilice la punta del destornillador, guárdela en el portabarreras.

Se pueden guardar puntas de hasta 45 mm.

## Varilla de profundidad ajustable (Fig. 12)

La varilla de profundidad ajustable se utiliza para realizar agujeros de profundidad uniforme. Afloje el tornillo de apriete, fíjelo en la posición deseada y, a continuación, apriételo.

## Gancho (Fig. 13)

El gancho es útil para colgar la herramienta.

Puede instalarse en cualquier lado de la herramienta.

Para instalar el gancho, insértelo en una de las ranuras situadas a ambos lados de la herramienta y, a continuación, fíjelo con un tornillo.

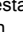
Para extraerlo, afloje el tornillo y quítelo.

## MANEJO

### Función de perforación con percusión (Fig. 14)

#### PRECAUCIÓN:

- En determinadas situaciones, como, por ejemplo, al practicar un agujero, cuando el orificio se taponara con restos y partículas de materiales o cuando se golpean las varas de refuerzo dentro del hormigón, se ejerce una enorme y súbita fuerza de torsión sobre la herramienta y la broca. Utilice siempre la empuñadura lateral (mango auxiliar) y sujete firmemente la herramienta por la empuñadura lateral y por el mango del interruptor durante el funcionamiento. De lo contrario, puede perder el control de la herramienta y sufrir heridas graves.

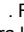
En primer lugar, deslice la palanca de cambio del modo de acción para que apunte a la marca . Para esta operación, la anilla de ajuste puede alinearse con cualquier nivel de apriete. Asegúrese de utilizar una broca

con punta de carburo de tungsteno. Coloque la broca en la posición donde desee practicar el orificio y, a continuación, presione el interruptor disparador. No fuerce la herramienta. Los mejores resultados se obtienen cuando se ejerce una presión suave. Mantenga la herramienta en la posición y evite que se desplace fuera del orificio. No ejerza más presión cuando el orificio se obstruya con restos o partículas de materiales. Pare la herramienta y, a continuación, extraiga la broca parcialmente del orificio. Repita esta operación varias veces hasta que el orificio se limpie y pueda reanudar la perforación.

### Bulbo de extracción (accesorio opcional) (Fig. 15)

Tras perforar el orificio, utilice el bulbo de extracción para quitar el polvo y los restos de materiales del orificio.

### Función de atornillamiento

En primer lugar, deslice la palanca de cambio del modo de acción para que apunte a la marca . Fije la anilla de ajuste en el par de apriete adecuado para la tarea que deba realizar. A continuación, siga estas indicaciones. Coloque la punta del destornillador en la cabeza del tornillo y ejerza presión sobre la herramienta. Ponga en funcionamiento la herramienta lentamente y, a continuación, aumente la velocidad progresivamente. Suelte el interruptor disparador en cuanto se active el acoplamiento.

#### NOTA:

- Asegúrese de insertar la punta del destornillador en la cabeza del tornillo de forma recta, ya que, de lo contrario, el tornillo y/o la punta podrían sufrir daños.
- Cuando utilice tornillos para madera, perforo primero unos orificios a modo de guía para facilitar el atornillamiento y evitar la fragmentación del material. Consulte la figura.

Diámetro nominal de los tornillos para madera (mm)	Tamaño recomendado del orificio guía (mm)
3,1	2,0 - 2,2
3,5	2,2 - 2,5
3,8	2,5 - 2,8
4,5	2,9 - 3,2
4,8	3,1 - 3,4
5,1	3,3 - 3,6
5,5	3,6 - 3,9
5,8	4,0 - 4,2
6,1	4,2 - 4,4

#### NOTA:

- Si la herramienta se utiliza continuamente hasta que el cartucho de la batería se descarga, deje reposar la herramienta durante 15 minutos antes de continuar con una batería cargada.


### Función de perforación

#### PRECAUCIÓN:

- La perforación no será más rápida si presiona excesivamente la herramienta. De hecho, esta presión excesiva sólo servirá para dañar la punta de la broca,

reducir el rendimiento de de la herramienta y acortar la vida útil de la herramienta.

- En el momento de realizar el orificio, se ejerce una presión enorme sobre la herramienta y la broca. Sujete firmemente la herramienta y tenga mucho cuidado cuando la broca empieza a perforar el material.
- Para sacar una broca atascada, sólo tiene que ajustar el interruptor de inversión en el giro inverso. Sin embargo, la herramienta puede retroceder bruscamente si no la sujeta con fuerza.
- Afiance siempre las piezas de trabajo pequeñas en una prensa de tornillo o un dispositivo de sujeción similar.
- Si la herramienta se utiliza continuamente hasta que el cartucho de la batería se descarga, deje reposar la herramienta durante 15 minutos antes de continuar con una batería cargada.

En primer lugar, deslice la palanca de cambio del modo de acción para que apunte a la marca . Para esta operación, la anilla de ajuste puede alinearse con cualquier nivel de apriete. A continuación, siga estas indicaciones.

### Perforación en madera

Los mejores resultados al realizar una perforación en madera se obtienen con las brocas para madera equipadas con un tornillo guía, ya que facilita la perforación puesto que inserta la broca en la pieza de trabajo.

### Perforación en metal

Para evitar que la broca resbale al empezar la perforación, realice una mella con un punzón para marcas y un martillo en el punto exacto de la perforación. Sitúe la broca en la mella y empiece a perforar. Utilice un lubricante para cortes cuando perforo metales, salvo para el hierro y el bronce, ya que deben perforarse en seco.

## MANTENIMIENTO

### PRECAUCIÓN:

- Asegúrese de apagar siempre la herramienta y extraer el cartucho de la batería antes de intentar realizar cualquier trabajo de inspección o mantenimiento en ella.
- Nunca utilice gasolina, benceno, disolvente, alcohol o un producto similar. Se puede provocar una decoloración, una deformación o grietas.

### Reemplazo de las escobillas de carbón (Fig. 16)

Reemplácelas cuando se gasten hasta la marca de límite. Mantenga las escobillas de carbón limpias y de forma que entren libremente en los portaescobillas.

Ambas escobillas de carbón deberán ser reemplazadas al mismo tiempo. Utilice únicamente escobillas de carbón idénticas.

Utilice un destornillador para extraer los dos tornillos y, a continuación, quite la cubierta trasera. (Fig. 17)

Levante el brazo del muelle y colóquelo en la parte cóncava del alojamiento con la ayuda de un destornillador fino para tornillos de cabeza ranurada o una herramienta similar. (Fig. 18)

Utilice unos alicates para extraer las tapas de las escobillas de carbón. Saque las escobillas de carbón

desgastadas, inserte las nuevas y vuelva a colocar las tapas de los portaescobillas al revés. (Fig. 19)

Asegúrese de que las tapas de los portaescobillas queden perfectamente ajustadas en los orificios de los portaescobillas. (Fig. 20)

Vuelva a instalar la cubierta trasera y apriete los dos tornillos. Para conservar la SEGURIDAD y la FIABILIDAD del producto, los trabajos de reparación y otros trabajos de mantenimiento y ajuste deberán ser realizados en centros de servicio autorizados de Makita, utilizando siempre repuestos Makita.

## ACCESORIOS OPCIONALES

### ⚠ PRECAUCIÓN:

- Se recomienda el uso de estos accesorios o complementos con la herramienta Makita especificada en este manual. El uso de otros accesorios o complementos puede conllevar el riesgo de ocasionar daños corporales. Utilice los accesorios o complementos solamente para su fin establecido.

Si necesita cualquier ayuda para obtener más información relativa a estos accesorios, pregunte a su centro de servicio Makita local.

- Brocas de perforación
- Brocas de perforación con percusión
- Puntas de destornillador
- Bulbo de extracción
- Gafas de seguridad
- Diversos tipos de baterías y cargadores originales de Makita
- Conjunto de la empuñadura
- Varilla de profundidad
- Gancho
- Conjunto de almohadillas de goma
- Gorra de lana
- Almohadilla para pulido de espuma

### NOTA:

- Algunos elementos de la lista se pueden incluir en el paquete de la herramienta como accesorios estándar. Pueden ser diferentes de un país a otro.

### Ruido

ENG905-1

Nivel típico de ruido ponderado A determinado conforme a EN60745:

#### Modelo BHP444

Nivel de presión de sonido ( $L_{pA}$ ): 85 dB (A)  
Nivel de potencia de sonido ( $L_{WA}$ ): 96 dB (A)  
Incertidumbre (K): 3 dB (A)

#### Modelo BHP454

Nivel de presión de sonido ( $L_{pA}$ ): 86 dB (A)  
Nivel de potencia de sonido ( $L_{WA}$ ): 97 dB (A)  
Incertidumbre (K): 3 dB (A)

#### Utilice protección para los oídos.

### Vibración

ENG900-1

Valor total de la vibración (suma de vectores triaxiales) determinada según el estándar EN60745:

#### Modelo BHP444

Modo de trabajo: taladrado de impacto en hormigón  
Emisión de vibraciones ( $a_{h,1D}$ ): 9,0 m/s<sup>2</sup>  
Incertidumbre (K): 2,0 m/s<sup>2</sup>

Modo de trabajo: taladrado en metal  
Emisión de vibraciones ( $a_{h,D}$ ): 2,5 m/s<sup>2</sup> o menos  
Incertidumbre (K): 1,5 m/s<sup>2</sup>

#### **Modelo BHP454**

Modo de trabajo: taladrado de impacto en hormigón  
Emisión de vibraciones ( $a_{h,ID}$ ): 7,5 m/s<sup>2</sup>  
Incertidumbre (K): 1,5 m/s<sup>2</sup>

Modo de trabajo: taladrado en metal  
Emisión de vibraciones ( $a_{h,D}$ ): 2,5 m/s<sup>2</sup> o menos  
Incertidumbre (K): 1,5 m/s<sup>2</sup>

ENG901-1

- El valor de emisión de vibraciones se ha medido de acuerdo con el método de prueba estándar y se puede utilizar para comparar herramientas.
- El valor de emisión de vibraciones declarado también se puede usar en una evaluación preliminar de la exposición.

#### **⚠ ADVERTENCIA:**

- La emisión de vibraciones durante el uso de la herramienta eléctrica puede diferir del valor de emisiones declarado, dependiendo de las formas en que se utiliza la herramienta.
- Asegúrese de identificar las mediciones correctas para proteger al operario, que se basan en una estimación de la exposición en condiciones de uso reales (teniendo en cuenta todas las partes del ciclo de operaciones, como los momentos en los que la herramienta está apagada y cuando funciona al ralentí además del tiempo en que está activado el interruptor).

#### **Sólo para países europeos**

ENH101-15

#### **Declaración de conformidad de la CE**

**Nosotros, Makita Corporation, en calidad de fabricante responsable, declaramos que las siguientes máquinas Makita:**

Designación de la máquina:

Taladro atornillador con percusión a batería

Nº de modelo/ Tipo: BHP444, BHP454

son de producción serie y

**Cumplen con las siguientes Directivas europeas:**

2006/42/CE

Y se han fabricado de acuerdo con los siguientes estándares o documentos estandarizados:

EN60745

La documentación técnica la conserva nuestro representante autorizado en Europa, que es:

Makita International Europe Ltd.

Michigan Drive, Tongwell,

Milton Keynes, Bucks MK15 8JD, Inglaterra

30. 1. 2009



Tomoyasu Kato

Director

Makita Corporation

3-11-8, Sumiyoshi-cho,

Anjo, Aichi, 446-8502, JAPAN

# PORTUGUÊS (Instruções de origem)

## Descrição geral

- |   |                           |                               |
|---|---------------------------|-------------------------------|
| 1. Indicador vermelho                           | 11. Graduação             | 23. Gancho                    |
| 2. Botão  | 12. Seta                  | 24. Parafuso                  |
| 3. Bateria                                      | 13. Banda metálica        | 25. Fole                      |
| 4. Marca de estrela                             | 14. Base do apoio         | 26. Marca limite              |
| 5. Gatilho                                      | 15. Apoio lateral         | 27. Tampa posterior           |
| 6. Lâmpada                                      | 16. Saliência             | 28. Parafusos                 |
| 7. Manípulo de mudança de rotação               | 17. Encaixe               | 29. Braço                     |
| 8. Manípulo de mudança de velocidade            | 18. Manga                 | 30. Mola                      |
| 9. Alavanca de mudança de modo de funcionamento | 19. Porta-brocas          | 31. Interior                  |
| 10. Anel de ajuste                              | 20. Ponta                 | 32. Tampa da escova de carvão |
|   | 21. Haste de profundidade | 33. Orifício                  |
|   | 22. Parafuso de fixação   |                               |

## ESPECIFICAÇÕES

Modelo	BHP444	BHP454	
Capacidades	Betão	14 mm	16 mm
	Aço	13 mm	13 mm
	Madeira	50 mm	65 mm
	Parafuso de madeira	6 mm x 75 mm	10 mm x 89 mm
	Parafuso da máquina	6 mm	
Sem velocidade de rotação em carga (mín. <sup>-1</sup> )	Alto (2)	0 - 1.700	
	Baixo (1)	0 - 400	
Sopros por minuto (mín. <sup>-1</sup> )	Alto (2)	0 - 25.500	
	Baixo (1)	0 - 6.000	
Comprimento total	243 mm		
Peso líquido	2,3 kg	2,4 kg	
Voltagem nominal	D.C. 14,4 V	D.C. 18 V	

- Devido à pesquisa e desenvolvimento constantes, estas especificações estão sujeitas a alteração sem aviso prévio.
- As especificações e o cartucho da bateria podem ser diferentes consoante o país.
- Peso, com a bateria, de acordo com o procedimento EPTA de 01/2003

### Utilização prevista

ENE039-1

Esta ferramenta foi concebida para perfuração por precursão em tijolo, betão e pedra, e perfuração sem precursão, em madeira, metal, cerâmica e plástico.

## Avisos gerais de segurança para ferramentas eléctricas

GEA010-1

**⚠ AVISO** Leia todos os avisos de segurança e todas as instruções. O não cumprimento dos avisos e instruções pode resultar na ocorrência de choques eléctricos, incêndios e/ou ferimentos graves.

## Guarde todos os avisos e instruções para referência futura.

## AVISOS DE SEGURANÇA PARA O MARTELO PERFURADOR SEM FIOS

GEB056-4

1. Use protecções para os ouvidos quando efectuar perfurações por precursão. A exposição ao ruído pode provocar a perda de audição.
2. Utilize a(s) pega(s) auxiliar(es) fornecida(s) com a ferramenta. A perda de controlo pode provocar ferimentos pessoais.
3. Quando executar operações em que a máquina de corte possa entrar em contacto com fios eléctricos ocultos, tenha o cuidado de tocar apenas nas superfícies isoladas da máquina. O acessório de corte em contacto com um fio eléctrico ligado à corrente pode electrificar as peças de metal da ferramenta e provocar um choque eléctrico no operador.
4. Segure na ferramenta eléctrica pelas superfícies de aderência isoladas quando efectuar uma operação em que possa entrar em contacto com cablagens não visíveis. Se a aparafusadora entrar em contacto com um cabo sob tensão, as partes metálicas expostas da ferramenta eléctrica podem ficar igualmente sob tensão, podendo provocar um choque eléctrico no operador.
5. Procure uma posição em pé estável e firme. Se utilizar a ferramenta em locais altos, verifique se não há ninguém por baixo.
6. Segure bem na ferramenta.
7. Afaste as mãos das peças em movimento.



8. Não abandone a ferramenta a funcionar. Ponha-a a funcionar apenas quando estiver a segurá-la.
9. Não toque numa broca ou no material em que tiver estado a trabalhar logo após a operação porque podem estar demasiado quentes.
10. Alguns materiais contêm químicos que podem ser tóxicos. Tenha cuidado para evitar a inalação e o contacto da pele com o pó produzido. Obedeça às instruções de segurança do fornecedor do material.

## GUARDE ESTAS INSTRUÇÕES.

**⚠ AVISO:**  
**NÃO** deixe que o conforto ou familiaridade com o produto (obtida de uma utilização regular) substituam um cumprimento severo das regras de segurança do produto em causa. Uma UTILIZAÇÃO INCORRECTA ou não cumprimento das regras de segurança indicadas neste manual de instruções podem provocar ferimentos pessoais sérios.

## INSTRUÇÕES DE SEGURANÇA IMPORTANTES

ENC007-7

### RELATIVAS À BATERIA

1. Antes de utilizar a bateria, leia as instruções e chamadas de atenção de: (1) o carregador da bateria, (2) a bateria e (3) o produto que utiliza a bateria.
2. Não desmonte a bateria.
3. Se o tempo de utilização com a bateria se tornar demasiado curto, deve parar imediatamente. Se continuar, pode causar sobreaquecimento, incêndio e mesmo explosão.
4. Se o electrólito entrar em contacto com os olhos, enxágüe-os com água limpa e consulte imediatamente um médico. Os riscos incluem perda de visão.
5. Não provoque um curto-circuito na bateria:
  - (1) Não deixe que quaisquer materiais condutores entrem em contacto com os terminais da bateria.
  - (2) Evite guardar a bateria juntamente com outros objectos de metal como pregos, moedas, etc.
  - (3) Não exponha a bateria a água ou chuva. Um curto-circuito na bateria pode criar uma grande carga eléctrica, sobreaquecimento, fogo e uma quebra da corrente.
6. Não guarde a ferramenta e a bateria em locais onde a temperatura possa atingir ou exceder 50°C (122°F).
7. Não incinere a bateria, nem mesmo se esta estiver irremediavelmente danificada ou completamente gasta. Pode explodir e causar um incêndio.
8. Não a deixe cair e evite o choque com outros objectos.
9. Não utilize uma bateria danificada.

## GUARDE ESTAS INSTRUÇÕES.

### Sugestões para o máximo de tempo de vida da bateria

1. Não espere que a bateria se gaste completamente para voltar a carregá-la.  
 Pare a ferramenta e carregue a bateria sempre que detectar um baixo nível de energia.
2. Nunca volte a carregar uma bateria já completamente carregada.  
 O carregamento excessivo diminui o tempo de vida das baterias.
3. Carregue a bateria em locais onde a temperatura se situe entre 10°C e 40°C (50°F - 104°F). Se a bateria estiver quente, deixe-a arrefecer antes de iniciar o carregamento.
4. Carregue a bateria uma vez a cada seis meses se não a utilizar durante um longo período.

## DESCRIÇÃO DO FUNCIONAMENTO

### PRECAUÇÃO:

- Certifique-se sempre de que a ferramenta está desligada e a bateria foi removida antes de proceder a ajustamentos ou testar acessórios.

### Inserir ou retirar a bateria (Fig. 1)

- Desligue sempre a ferramenta antes de instalar ou retirar a bateria.
- Para retirar a bateria, mantenha premido o botão na frente da bateria e puxe.
- Para colocar a bateria, alinhe a respectiva saliência com a calha do compartimento e encaixe-a suavemente. Insira-a completamente até fixar em posição com um clique. Se ainda estiver visível o indicador vermelho na parte superior do botão, não estará bem encaixada. Coloque-a completamente, até deixar de ver o indicador vermelho. Caso contrário, pode cair da ferramenta e causar ferimentos em si, ou em alguém que esteja perto de si.
- Não exerça força ao colocar a bateria. Se não encaixar facilmente é porque não está correctamente posicionada.

### Sistema de protecção da bateria (Bateria de íões de lítio com uma marca de estrela) (Fig. 2)

As baterias de íões de lítio com uma marca de estrela estão equipadas com um sistema de protecção. Este sistema corta automaticamente a alimentação para prolongar a vida útil da bateria.

A ferramenta pára automaticamente durante o funcionamento quando a ferramenta e/ou bateria são colocadas numa das condições seguintes:

- Sobrecarregada:  
 A ferramenta é utilizada de tal forma que atrai uma corrente involuntariamente alta.  
 Nesta situação, solte o gatilho da ferramenta e pare a aplicação que causou a sobrecarga. De seguida, prima novamente o gatilho para reiniciar.

Se a ferramenta não ligar, a bateria está sobreaquecida. Nesta situação, deixe a bateria arrefecer antes de premir novamente o gatilho.

- Tensão baixa da bateria:  
A carga restante da bateria é demasiado baixa e a ferramenta não funciona. Nesta situação, retire e recarregue a bateria.

## O gatilho/interruptor (Fig. 3)

### PRECAUÇÃO:

- Antes de inserir a pilha na ferramenta, verifique se o gatilho está a funcionar correctamente e se volta à posição “OFF” quando o solta.

Para pôr a ferramenta a funcionar, prima o gatilho. A velocidade da ferramenta aumenta com a pressão exercida no gatilho. Para parar a ferramenta, solte o gatilho.

## A luz incorporada na ferramenta (Fig. 4)

### PRECAUÇÃO:

- Não olhe directamente para a luz da ferramenta. Para a acender prima o gatilho. A lâmpada manter-se-á acesa enquanto o gatilho for premido. 10 a 15 segundos depois de o gatilho ser solto, a luz apaga-se.

### NOTA:

- Para limpar a lâmpada, utilize um tecido seco. Tenha cuidado para não riscar a lente da lâmpada, pois poderia diminuir a intensidade da iluminação.

## Inverter a direcção da rotação (Fig. 5)

Esta ferramenta tem um interruptor que permite inverter a direcção da rotação. Rode o interruptor a partir da posição “A” no sentido dos ponteiros do relógio, ou a partir da posição “B” no sentido contrário ao dos ponteiros do relógio.

Se o interruptor estiver na posição neutra, o gatilho não poderá ser premido.

### PRECAUÇÃO:

- Verifique sempre a direcção da rotação antes da operação.
- Este interruptor deve ser utilizado apenas quando a ferramenta estiver completamente parada. Se alterar a direcção da rotação antes da ferramenta ter parado pode avariá-la.
- Quando a ferramenta não estiver a funcionar coloque o interruptor na posição neutra.

## Alteração da velocidade (Fig. 6)

Para alterar a velocidade, primeiro desligue a ferramenta e, em seguida, coloque o manípulo de mudança de velocidade na posição “2” para uma velocidade alta, e na posição “1” para uma velocidade baixa. Certifique-se de que o manípulo de mudança de velocidade está na posição desejada antes de pôr a ferramenta a funcionar. Seleccione a velocidade adequada ao trabalho que vai executar.

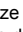
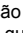

### PRECAUÇÃO:

- Certifique-se de que o manípulo de mudança de velocidade fica colocado na posição correcta. Se colocar a ferramenta a funcionar com o manípulo de mudança de velocidade numa posição indefinida entre as posições “1” e “2”, a ferramenta pode avariar-se.

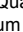
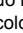
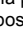
- Não utilize o manípulo de mudança de velocidade com a ferramenta em funcionamento. Pode avariá-la.

## Seleção do modo de funcionamento (Fig. 7)

A ferramenta possui um manípulo de selecção do modo de funcionamento. Seleccione, dos três modos disponíveis, o mais apropriado a cada trabalho que for efectuar, utilizando este manípulo.

Apenas para a rotação, deslize o manípulo de forma a que aponte na direcção da marca  no corpo da ferramenta. Para rotação com martelo, deslize o manípulo de forma a que aponte na direcção da marca  no corpo da ferramenta. Para rotação com embraiagem, deslize o manípulo de forma a que aponte na direcção da marca  no corpo da ferramenta.

### NOTA:

- Quando mudar a posição de  para , poderá ser um pouco difícil fazer deslizar o manípulo de selecção do modo de funcionamento. Nesta altura, ligue e coloque a ferramenta a funcionar durante um segundo na posição , pare a ferramenta e seleccione a posição pretendida.

### PRECAUÇÃO:

- O manípulo deve ficar sempre bem posicionado, numa das marcas. Se puser a ferramenta a funcionar com o manípulo numa posição indefinida, entre duas marcas por exemplo, a ferramenta pode avariar-se.

## Ajuste da torção (Fig. 8)

A torção tem 16 posições que podem ser reguladas com o anel de ajuste, alinhando as graduações relativamente à seta existente no corpo da ferramenta. A posição mínima corresponde ao alinhamento da seta com o indicador 1, e a posição máxima ao alinhamento da seta com o indicador 16.

Antes da operação propriamente dita, execute um teste; pode utilizar um pedaço desnecessário do mesmo material para determinar o nível adequado para o caso em particular.

## MONTAGEM

### PRECAUÇÃO:

- Certifique-se sempre de que a ferramenta está desligada e a bateria removida, antes de efectuar qualquer operação com acessórios.

## Instalar a pega lateral (manípulo auxiliar) (Fig. 9)

Utilize sempre o apoio lateral para garantir um manuseamento seguro da ferramenta.

Introduza o apoio lateral de forma a que as saliências no apoio da base e a banda metálica entrem nos encaixes no cano da ferramenta. De seguida, aperte o apoio rodando no sentido dos ponteiros do relógio.

## Instalar ou retirar brocas (Fig. 10)

Rode o anel no sentido contrário ao dos ponteiros do relógio para abrir o mandril. Introduza a broca no mandril, até ao fundo. Rode o anel no sentido dos ponteiros do relógio para apertar o mandril.

Para remover a broca, rode o anel no sentido contrário ao dos ponteiros do relógio.

## Instalar o porta-brocas (Fig. 11)

Instale o porta-brocas na saliência na base da ferramenta, no lado direito ou esquerdo, e fixe-o com um parafuso.

Quando não utilizar a broca, guarde-a no porta-brocas. O porta-brocas permite guardar brocas com 45 mm de comprimento.

## Haste de profundidade regulável (Fig. 12)

A haste de profundidade regulável é utilizada para perfurar com uma profundidade uniforme. Desaperte o parafuso de fixação, coloque na posição pretendida e aperte o parafuso de fixação.

## Gancho (Fig. 13)

O gancho é muito útil para pendurar a ferramenta quando necessário.

Pode ser instalado de qualquer dos lados.

Para instalar o gancho, insira-o numa das ranhuras do corpo da ferramenta, em qualquer dos lados e, em seguida, fixe-o com um parafuso.

Para o remover, basta desapertar o parafuso.

## FUNCIONAMENTO

### Perfuração com percussão (Fig. 14)

#### PRECAUÇÃO:

- No início da perfuração, quando o orifício começa a ficar entupido com partículas do material que está a ser perfurado ou quando a perfuração encontra reforços no interior do betão, é exercida uma força enorme que pode causar movimentos inesperados na broca. Utilize sempre o apoio lateral (pega auxiliar) e segure a ferramenta com firmeza pelo apoio lateral e pela pega do interruptor enquanto trabalha. Se não o fizer, poderá perder o controlo da ferramenta e sofrer potenciais ferimentos graves.

Em primeiro lugar, deslize o manípulo de selecção de modo de forma a que aponte para a marca . O anel de ajuste pode ser regulado para quaisquer níveis de aperto para esta operação. Certifique-se de que está a usar uma broca com revestimento de carboneto de tungsténio. Posicione a broca no ponto onde deseja efectuar a perfuração e prima o gatilho. Não force a ferramenta. Se aplicar uma leve pressão obterá melhores resultados. Concentre-se em manter a ferramenta na posição correcta e não deixar que a broca saia do orifício. Não aplique mais pressão quando o orifício começar a ficar entupido com partículas do material perfurado. Em vez disso, coloque a ferramenta em compasso de espera e retire parcialmente a broca do orifício. Repetindo este processo várias vezes, manterá o orifício limpo e uma perfuração normal.

### Fole (acessório opcional) (Fig. 15)

Depois de perfurado o orifício, utilize o fole para retirar o entulho e partículas.

### Aparafusar

Em primeiro lugar, deslize o manípulo de selecção de modo de forma a que aponte para a marca . Ajuste o

anel para um nível adequado ao trabalho. Depois faça o seguinte.

Coloque o acessório de chave de fendas e aperte. Ponha a ferramenta a funcionar a uma velocidade baixa e vá aumentando gradualmente. Liberte o gatilho assim que o tambor parar de rodar.

#### NOTA:

- Certifique-se de que o acessório está bem colocado, para que não se danifique.
- Em madeira, faça um orifício piloto no ponto pretendido para tornar a perfuração mais fácil e evitar que a madeira estale. Ver gráfico

Diâmetro nominal da perfuração em madeira (mm)	Tamanho recomendado para o orifício piloto (mm)
3,1	2,0 - 2,2
3,5	2,2 - 2,5
3,8	2,5 - 2,8
4,5	2,9 - 3,2
4,8	3,1 - 3,4
5,1	3,3 - 3,6
5,5	3,6 - 3,9
5,8	4,0 - 4,2
6,1	4,2 - 4,4

#### NOTA:

- Se mantiver a ferramenta a funcionar ininterruptamente até a bateria se gastar completamente, deixe-a em repouso durante 15 minutos antes de substituir a bateria.

### Função de perfuração

#### PRECAUÇÃO:

- Se exercer demasiada força sobre a ferramenta, a velocidade de perfuração não aumentará. Na verdade, o excesso de força acabará apenas por danificar a ponta da broca, diminuir o desempenho da ferramenta e diminuir o seu tempo de vida funcional.
- No início da perfuração já é exercida uma enorme força na broca e na própria ferramenta. Mantenha a ferramenta firme e concentre-se no posicionamento da broca no início da perfuração.
- Uma broca encravada pode ser removida com facilidade invertendo o sentido da rotação na ferramenta. No entanto, deve ter cuidado porque a ferramenta pode exercer uma força súbita para trás, se não estiver bem segura.
- Quando trabalhar em peças pequenas fixe-as num torno ou num dispositivo similar.
- Se mantiver a ferramenta a funcionar ininterruptamente até a bateria se gastar completamente, deixe-a em repouso durante 15 minutos antes de substituir a bateria.

Em primeiro lugar, deslize o manípulo de selecção de modo de forma a que aponte para a marca . O anel de ajuste pode ser regulado para quaisquer níveis de aperto para esta operação. Depois faça o seguinte.

#### Perfuração em madeira

Se perfurar madeira, para obter os melhores resultados utilize brocas de madeira com uma ponta de parafuso. A

ponta de parafuso torna a perfuração mais fácil, fazendo a broca penetrar o material.

### Perfuração em metal

Para evitar que a broca salte ao iniciar a perfuração, crie também um orifício piloto com um cinzel e um martelo, no ponto que deseja perfurar. Coloque a ponta da broca o orifício piloto e inicie a perfuração. Utilize um lubrificante de corte para perfurar metais. Excepto em ferro e latão, que devem ser perfurados a seco.

## MANUTENÇÃO

### PRECAUÇÃO:

- Certifique-se sempre de que a ferramenta está desligada e a bateria removida antes de efectuar operações de inspecção ou de manutenção.
- Nunca utilize gasolina, benzina, diluente, álcool ou semelhante. Podem formar-se descolorações, deformações ou fissuras.

### Substituir as escovas de carvão (Fig. 16)

Substitua-as quando o desgaste chegar à marca limite. Mantenha-as limpas e soltas para poderem deslizar nos suportes.

Substitua as duas ao mesmo tempo. As escovas de um mesmo par utilizado devem ser idênticas.

Utilize uma chave de parafusos para remover os dois parafusos e retire a tampa posterior. (Fig. 17)

Levante o braço da mola e coloque-o na parte interior do corpo da ferramenta com a ajuda de um objecto comprido e delgado. (Fig. 18)

Utilize pinças para retirar as capas de carvão. Retire as escovas usadas, coloque umas novas e volte a colocar as tampas dos suportes seguindo o procedimento inverso. (Fig. 19)

Certifique-se de que as capas se adaptaram perfeita e firmemente nos orifícios dos suportes. (Fig. 20)

Volte a colocar a tampa traseira e aperte bem os parafusos. Para manter os níveis de SEGURANÇA e FIABILIDADE definidos para este produto, reparações, operações de manutenção ou ajustes devem ser executados por centros de assistência Makita autorizados e, no caso de substituição de peças, estas devem ser igualmente Makita.

## ACESSÓRIOS OPCIONAIS

### ⚠ PRECAUÇÃO:

- Os seguintes acessórios ou extensões são os recomendados para utilizar com a ferramenta Makita especificada neste manual. A utilização de quaisquer outros acessórios poderá representar um risco de ferimento para as pessoas. Apenas utilize o acessório para o fim indicado.

Se precisar de informações adicionais relativas aos acessórios, contacte o centro local de assistência Makita.

- Brocas de perfuração
- Brocas de perfuração de martelo
- Brocas de aparafusamento
- Fole
- Óculos protectores
- Vários tipos de baterias e carregadores Makita genuínos.
- Conjunto do apoio

- Haste de profundidade
- Gancho
- Almofada de borracha
- Protector de lâ
- Polidor de espuma

### NOTA:

- Alguns itens na lista podem estar incluídos no pacote de ferramentas como acessórios de série. Podem diferir de país para país.

### Ruído

ENG905-1

Os níveis acústicos ponderados A típicos foram determinados segundo a EN60745:

#### Modelo BHP444

Nível de pressão sonora ( $L_{pA}$ ): 85 dB (A)  
Nível de potência sonora ( $L_{WA}$ ): 96 dB (A)  
Imprecisão (K): 3 dB (A)

#### Modelo BHP454

Nível de pressão sonora ( $L_{pA}$ ): 86 dB (A)  
Nível de potência sonora ( $L_{WA}$ ): 97 dB (A)  
Imprecisão (K): 3 dB (A)

#### Use protecção para os ouvidos.

### Vibração

ENG900-1

O valor total da vibração (soma triaxial de vectores) foi determinado segundo a EN60745:

#### Modelo BHP444

Modo de trabalho: perfuração de percussão em cimento  
Emissão de vibrações ( $a_{h,D}$ ): 9,0 m/s<sup>2</sup>  
Imprecisão (K): 2,0 m/s<sup>2</sup>

Modo de trabalho: perfuração em metal

Emissão de vibração ( $a_{h,D}$ ): 2,5 m/s<sup>2</sup> ou menos  
Imprecisão (K): 1,5 m/s<sup>2</sup>

#### Modelo BHP454

Modo de trabalho: perfuração de percussão em cimento  
Emissão de vibrações ( $a_{h,D}$ ): 7,5 m/s<sup>2</sup>  
Imprecisão (K): 1,5 m/s<sup>2</sup>

Modo de trabalho: perfuração em metal

Emissão de vibração ( $a_{h,D}$ ): 2,5 m/s<sup>2</sup> ou menos  
Imprecisão (K): 1,5 m/s<sup>2</sup>

ENG901-1

- O valor da emissão de vibração declarado foi medido de acordo com o método de teste padrão e pode ser utilizado para comparar uma ferramenta com outra.
- O valor da emissão de vibração declarado pode também ser utilizado numa avaliação preliminar de exposição.

### ⚠ AVISO:

- A emissão de vibração durante a utilização real da ferramenta eléctrica pode ser diferente do valor de emissão declarado, dependendo da forma como a ferramenta é utilizada.
- Certifique-se de que identifica medidas de segurança, para proteger o operador, que são baseadas numa estimativa de exposição nas condições reais de utilização (tendo em conta todas as partes do ciclo de funcionamento, como as vezes que a ferramenta é desligada e quando está a trabalhar ao ralenti, além do tempo de utilização).

**Apenas para os países europeus**

ENH101-15

**Declaração de conformidade CE**

**A Makita Corporation, na qualidade do fabricante responsável, declara que a(s) máquina(s) Makita seguinte(s):**

Designação da máquina:

Martelo perfurador sem fios

N.º de modelo/Tipo: BHP444, BHP454

são produzidas em série e

**estão em conformidade com as Directivas Europeias seguintes:**

2006/42/EC

E são fabricadas de acordo com as normas ou os documentos padronizados seguintes:

EN60745

A documentação técnica é mantida pelo nosso representante autorizado na Europa, que é:

Makita International Europe Ltd.

Michigan Drive, Tongwell,

Milton Keynes, Bucks MK15 8JD, Inglaterra

30. 1. 2009



Tomoyasu Kato

Director

Makita Corporation

3-11-8, Sumiyoshi-cho,

Anjo, Aichi, 446-8502, JAPAN

## DANSK (Originalvejledning)

### Forklaring til generel oversigt

1. Rød indikator	12. Pil	24. Skrue
2. Knap	13. Stålbånd	25. Udblæsningskolbe
3. Batteripakke	14. Håndtagsbase	26. Slidgrænse
4. Stjernemærkning	15. Sidehåndtag	27. Bøgdækse
5. Kontaktgreb	16. Fremspring	28. Skruer
6. Lampe	17. Rille	29. Arm
7. Skiftekontakthåndtag	18. Muffe	30. Fjeder
8. Hastighedshåndtag	19. Spidsholder	31. Forsænket del
9. Håndtag til skift af funktionstilstand	20. Spids	32. Kulbørstedækse
10. Justeringsring	21. Dybdemåler	33. Hul
11. Gradinddeling	22. Tilspændingsskrue	
	23. Krog	

## SPECIFIKATIONER

Model		BHP444	BHP454
Kapaciteter	Beton	14 mm	16 mm
	Stål	13 mm	13 mm
	Træ	50 mm	65 mm
	Træskrue	6 mm x 75 mm	10 mm x 89 mm
	Maskinskrue	6 mm	
Hastighed uden belastning (min <sup>-1</sup> )	Høj (2)	0 – 1.700	
	Lav (1)	0 – 400	
Slag pr. minut (min <sup>-1</sup> )	Høj (2)	0 – 25.500	
	Lav (1)	0 – 6.000	
Længde i alt		243 mm	
Nettovægt		2,3 kg	2,4 kg
Nominel spænding		14,4 V DC	18 V DC

- På grund af vores løbende forsknings- og udviklingsprogram kan specifikationerne heri ændres uden forudgående varsel.
- Specifikationerne og batteripakken kan variere fra land til land.
- Vægt, inklusive batteripakken, i henhold til EPTA-Procedure 01/2003

### Tilsigtet brug

ENE039-1

Værktøjet er beregnet til slagboring i mursten, beton og sten samt til boring uden slag i træ, metal, keramik og plastik.

## Generelle sikkerhedsadvarsler for maskiner

GEA010-1

**⚠ ADVARSEL Læs alle sikkerhedsadvarsler og alle instruktioner.** Hvis De ikke følger alle advarsler og instruktioner, kan det medføre elektrisk stød, brand og/eller alvorlig personskade.

## Gem alle advarsler og instruktioner til senere reference.

## SIKKERHEDSADVARSLER FOR LEDNINGSFRI SLAGBOREMASKINE

GEB056-4

1. **Brug høreværn under slagboring.** Udsættelse for støj kan medføre høreskader.

2. **Benyt de ekstra håndtag, der eventuelt leveres med maskinen.** Hvis du mister kontrollen, kan du komme til skade.
3. **Hold maskiner i de isolerede gribeflader, når du udfører arbejde, hvor skæretilbehøret kan komme i kontakt med skjulte ledninger.** Hvis det skærende tilbehør kommer i kontakt med en strømførende ledning, kan udsatte metaldele på maskinen blive strømførende, hvorved operatøren kan få elektrisk stød.
4. **Hold maskiner i de isolerede gribeflader, når du udfører arbejde, hvor befæstelseselementet kan komme i kontakt med skjulte ledninger.** Hvis befæstelseselementer kommer i kontakt med en strømførende ledning, kan udsatte metaldele på maskinen blive strømførende, hvorved operatøren muligvis kan få elektrisk stød.
5. **Sørg altid for at have et solidt fodfæste. Sørg for, at der ikke er nogen under dig, når du benytter maskinen på højtliggende steder.**
6. **Hold godt fast i maskinen.**
7. **Hold hænderne på afstand af roterende dele.**

8. Gå ikke fra maskinen, mens den kører. Lad kun maskinen køre, mens du holder den i hænderne.
9. Berør ikke bittene eller arbejdsemnet umiddelbart efter brugen. De kan være meget varme og kan forårsage forbrændinger af huden.
10. Nogle materialer indeholder kemikalier, som kan være giftige. Sørg for, at undgå indånding af støv og kontakt med huden. Følg materialeleverandørens sikkerhedsdata.

## GEM DISSE INSTRUKTIONER.

### ⚠ ADVARSEL:

LAD IKKE tryghed eller kendskab til produktet (fra gentagen brug) føre til, at du ikke strengt overholder sikkerhedsreglerne for det gældende produkt.

MISBRUG eller manglende overholdelse af sikkerhedsreglerne i denne brugsanvisning kan medføre alvorlig personskade.

## VIGTIGE SIKKERHEDSINSTRUKTIONER

ENC007-7

### FOR BATTERIPAKKEN

1. Før brugen af batteripakken skal du læse alle instruktioner og advarsler på (1) batteriopladeren, (2) batteriet og (3) det produkt, som batteriet anvendes i.
2. Skil ikke batteripakken ad.
3. Hvis driftstiden bliver betydeligt kortere, skal du straks ophøre med brugen. Brug kan medføre risiko for overophedning, risiko for forbrændinger eller endog eksplosion.
4. Hvis du får elektrolyt i øjnene, skal du med det samme rense øjnene med rent vand og søge læge. Dette kan medføre tab af synet.
5. Kortslut ikke batteripakken:
  - (1) Undgå at røre ved terminalerne med ledende materiale.
  - (2) Undgå at opbevare batteripakken i en beholder med andre metalgenstande som f.eks. søm, mønter osv.
  - (3) Udsæt ikke batteripakken for vand eller regn. Hvis batteriet kortsluttes, kan det medføre voldsom strøm, overophedning, mulige forbrændinger og endog nedbrud.
6. Undgå at opbevare værktøjet og batteripakken på steder, hvor temperaturen kan komme op på eller overstige 50°C.
7. Sæt ikke ild til batteripakken, selvom den er alvorligt beskadiget eller helt udtjent. Batteripakken kan eksplodere ved brand.
8. Undgå at tabe eller slå på batteriet.
9. Undlad brug af et beskadiget batteri.

## GEM DISSE INSTRUKTIONER.

### Tips til, hvordan du forlænger batteriets levetid

1. Oplad batteripakken, før den bliver helt afladet. Ophør med at bruge værktøjet, og udskift batteripakken, hvis strømmen til værktøjet aftager.
2. Oplad aldrig en fuldt opladet batteripakke. Overopladning forkorter batteriets levetid.
3. Oplad batteripakken ved stuetemperatur på 10°C - 40°C. Lad batteripakken køle ned før den oplades, hvis den er varm.
4. Oplad batteripakken en gang hver sjette måned, hvis du ikke bruger det i lang tid.

## FUNKTIONSBESKRIVELSE

### FORSIGTIG:

- Sørg altid for, at værktøjet er slukket, og at batteripakken er taget ud, før De justerer værktøjet eller kontrollerer dets funktion.

### Montering eller afmontering af batteripakken (Fig. 1)

- Sluk altid for maskinen inden montering eller afmontering af batteripakken.
- Afmonter batteripakken ved at holde ned på knappen foran på batteripakken og skubbe den af maskinen.
- Ved montering af batteripakken justeres tungen på batteripakken med rillen i huset, hvorefter pakken skubbes på plads. Sæt den altid hele vejen ind, indtil den låses på plads med et lille klik. Hvis den røde indikator øverst på knappen er synlig, er batteripakken ikke låst helt fast. Sæt den helt ind, indtil den røde indikator ikke er synlig. Ellers kan den falde ud af maskinen og skade dig eller andre personer i nærheden.
- Brug ikke magt ved montering af batteripakken. Hvis den ikke glider let ind, er den ikke indsat korrekt.

### Batteribeskyttelsessystem (lithium-ion-batteri med stjernemærkning) (Fig. 2)

Lithium-ion-batterier med en stjernemærkning er udstyret med et beskyttelsessystem. Dette system slukker automatisk for strømmen til maskinen for at forlænge batterilevetiden.

Maskinen stopper automatisk under anvendelsen, hvis maskinen og/eller batteriet udsættes for en af de følgende situationer:

- Overbelastning:
 

Maskinen anvendes på en sådan måde, at det får den til at bruge unormalt meget strøm. I denne situation skal du slippe afbryderkontakten på maskinen og stoppe den anvendelse, som gjorde maskinen overbelastet. Tryk derefter ind på afbryderkontakten for starte igen.

Hvis maskinen ikke starter, er batteriet overophedet. I denne situation skal du lade batteriet køle af, inden du trykke ind på afbryderkontakten igen.
- Lav batterispænding:
 

Den resterende batterikapacitet er for lav, og maskinen kan ikke køre. I denne situation skal du afmontere og oplade batteriet.

## Betjening af kontakt (Fig. 3)

### FORSIGTIG:

- Før batteripakken sættes i værktøjet, skal De altid kontrollere, at kontaktrebet reagerer korrekt og vender tilbage i "OFF"-stillingen, når De slipper det.

Før at starte værktøjet skal De blot trykke på kontakten. Værktøjets hastighed forøges ved at trykke hårdere på kontaktrebet. Slip kontaktrebet for at stoppe.

## Tænding af lampen (Fig. 4)

### FORSIGTIG:

- Se ikke direkte ind i lyset eller lyskilden. Træk i kontaktrebet for at tænde lampen. Lampen forbliver tændt, så længe der trækkes i kontaktrebet. Lampen slukkes 10-15 sekunder efter, at grebet slippes.

### BEMÆRK:

- Benyt en tør klud til at tørre snavs af lampens linse. Pas på ikke at ridse lampens linse, da det kan mindske lysstyrken.

## Betjening af skiftekontakten (Fig. 5)

Værktøjet har en skiftekontakt til at ændre rotationsretningen. Tryk skiftekontakten mod "A"-siden for rotation med uret eller mod "B"-siden for rotation mod uret.

Når skiftekontakthåndtaget er i neutral stilling, kan kontaktrebet ikke trækkes ind.

### FORSIGTIG:

- Kontroller altid rotationsretningen før anvendelsen.
- Betjen ikke skiftekontakten, før værktøjet er helt stoppet. Hvis rotationsretningen ændres, når værktøjet ikke er helt stoppet, kan det beskadige værktøjet.
- Sæt altid skiftekontakthåndtaget i neutral stilling, når værktøjet ikke betjenes.

## Ændring af hastigheden (Fig. 6)



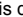
Hvis De vil ændre hastigheden, skal De først slukke for værktøjet og derefter trække hastighedshåndtaget mod siden "2" for høj hastighed eller mod siden "1" for lav hastighed. Kontroller før anvendelsen, at hastighedshåndtaget er i den korrekte stilling. Brug den rette hastighed til jobbet.

### FORSIGTIG:




- Sæt altid hastighedshåndtaget helt ud i den rette stilling. Hvis værktøjet betjenes med hastighedshåndtaget indstillet halvvejs mellem "1" og "2", kan det beskadige værktøjet.
- Betjen ikke hastighedshåndtaget, mens værktøjet kører. Dette kan beskadige værktøjet.

## Valg af funktionstilstand (Fig. 7)

Værktøjet har et håndtag til skift af funktionstilstand. Brug håndtaget til at vælge den af de tre tilstande, der passer til Deres arbejde.

Skub håndtaget, så det peger mod mærket  på værktøjet, hvis der kun ønskes rotation. Skub håndtaget, så det peger mod mærket  på værktøjet, hvis der ønskes rotation med slag. Skub håndtaget, så det peger mod mærket  på værktøjet, hvis der ønskes rotation med udkobling.

### BEMÆRK:

- Når håndtaget til funktionsskift flyttes fra "  " til "  ", kan det være vanskeligt at flytte håndtaget. I så fald kan De tænde for værktøjet og lade det køre et øjeblik i stillingen "  " og derefter stoppe værktøjet og flytte håndtaget til den ønskede stilling.

### FORSIGTIG:

- Indstil altid håndtaget korrekt til mærket for den ønskede tilstand. Hvis værktøjet betjenes med håndtaget placeret midt mellem tilstandsmærkerne, kan værktøjet blive beskadiget.

## Justering af strammingsmomentet (Fig. 8)

Strammingsmomentet kan indstilles til 16 trin ved at dreje på justeringsringen, så dens gradinddelinger er justeret med pilen på værktøjet. Strammingsmomentet er mindst, når tallet 1 er justeret med pilen, og højst, når tallet 16 er justeret med pilen.

Før den faktiske anvendelse skal De sætte en prøveskrue i arbejdsemnet eller i et stykke lignende materiale for at bestemme, hvilket moment der kræves til en bestemt anvendelse.

## MONTERING

### FORSIGTIG:

- Sørg altid for, at værktøjet er slukket, og at batteripakken er taget ud, før De udfører nogen form for arbejde på værktøjet.

## Montering af sidegreb (ekstra håndtag) (Fig. 9)

Anvend altid sidehåndtaget af hensyn til betjeningsikkerheden.

Indsæt sidehåndtaget, så fremspringene på håndtagsbasen og stålbåndet passer ind mellem rillerne på værktøjscylinderen. Stram derefter håndtaget ved at dreje det med uret.

## Montering eller afmontering af drevspidsen eller borespidsen (Fig. 10)

Drej muffen mod uret for at åbne patronkæberne. Sæt spidsen i patronen, til den ikke kan komme længere ind. Drej muffen med uret for at stramme patronen. Drej muffen mod uret for at tage spidsen ud.

## Montering af spidsholderen (Fig. 11)

Indsæt spidsholderen i fremspringet på værktøjets fod i højre eller venstre side, og fastgør den med en skrue. Opbevar drevspidserne i spidsholderne, når de ikke anvendes.

Der kan opbevares spidser på 45 mm.

## Justerbar dybdemåler (Fig. 12)

Den justerbare dybdemåler gør det muligt at bore huller med samme dybde. Løsn tilspændingsskruen, indstil måleren til den ønskede position, og stram derefter tilspændingsskruen.

## Krog (Fig. 13)

Krogen er nyttig til midlertidig ophængning af værktøjet. Den kan monteres i begge sider af værktøjet.




For at montere krogen indsættes den i en rille i værktøjet på en af siderne, hvorefter den fastgøres med en skrue. Den afmonteres ved at løsne skruen og tage den ud.

## BETJENING

### Betjening ved slagboring (Fig. 14)

#### FORSIGTIG:


- Værktøjet og spidsen udsættes for en voldsom og pludselig kraft på det tidspunkt, hvor spidsen bryder igennem, når hullet tilstoppes med spåner og partikler, eller når værktøjet rammer armeringsjern i beton. Anvend altid sidehåndtaget (ekstra håndtag), og hold godt fast i værktøjet i både sidehåndtaget og kontakthåndtaget under betjening. Hvis De ikke gør dette, kan De miste kontrollen med maskinen, hvilket kan forårsage alvorlig personskade.

Skub først håndtaget til skift af funktionstilstand, så det vender mod  -mærket. Justeringsringen kan indstilles til alle strammingsmomenter til denne funktion. Sørg for at bruge en wolframkarbid-forstærket spids. Placer spidsen på det sted, hvor hullet skal bores, og træk i kontaktrebet. Brug ikke magt på værktøjet. Et let tryk giver det bedste resultat. Hold værktøjet på positionen, og undgå, at det glider væk fra hullet. Anvend ikke mere tryk, når hullet bliver tilstoppet med spåner eller partikler. Lad i stedet værktøjet køre i tomgang, og tag spidsen delvist ud af hullet. Når De gentager denne fremgangsmåde flere gange, tømmes hullet, og De kan fortsætte med at bore.

### Udblæsningskolbe (fås som tilbehør) (Fig. 15)

Når hullet er boret, kan De bruge udblæsningskolben til at fjerne støv fra hullet.

### Anvendelse som skruetrækker

Skub først håndtaget til skift af funktionstilstand, så det vender mod  -mærket. Indstil justeringsringen til det rigtige strammingsmoment til formålet. Benyt derefter følgende fremgangsmåde. Placer drevspidsen i skruelhovedet, og tryk med værktøjet. Start værktøjet langsomt, og forøg gradvist hastigheden. Slip kontaktrebet, så snart koblingen slår fra.

#### BEMÆRK:

- Sørg for, at drevspidsen sættes lige ned i skruelhovedet. I modsat fald kan skruen og/eller spidsen blive beskadiget.
- Ved skruning af træskruer skal De forbore styrehuller for at gøre det lettere at sætte skruerne i og for at forhindre, at arbejdsmenet flækker. Se diagrammet.


Nominal diameter af træskruer (mm)	Anbefalet størrelse af styrehul (mm)
3,1	2,0 – 2,2
3,5	2,2 – 2,5
3,8	2,5 – 2,8
4,5	2,9 – 3,2
4,8	3,1 – 3,4
5,1	3,3 – 3,6
5,5	3,6 – 3,9
5,8	4,0 – 4,2
6,1	4,2 – 4,4

#### BEMÆRK:

- Hvis værktøjet betjenes konstant, indtil batteripakken er afladet, skal De lade værktøjet hvile i 15 minutter, før De fortsætter med et nyt batteri.

### Betjening ved boring

#### FORSIGTIG:

- Boringen går ikke hurtigere, hvis De trykker hårdt på værktøjet. Det ekstra tryk vil blot beskadige spidsen, så værktøjets ydelse forringes, og dets levetid forkortes.
  - Værktøjet og spidsen er under påvirkning af stærke kræfter på det tidspunkt, hvor spidsen bryder igennem. Hold godt fast i værktøjet, og vær forsigtig, når spidsen begynder at bryde igennem arbejdsmenet.
  - Hvis spidsen sidder fast, kan den tages ud ved blot at indstille skiftekontakten til baglæns rotation for at bakke den ud. Vær imidlertid opmærksom på, at værktøjet kan bakke ud pludseligt, hvis De ikke holder godt fast i det.
  - Fastgør altid små arbejdsmener i en skruestik eller lignende udstyr til fastgørelse.
  - Hvis værktøjet betjenes konstant, indtil batteripakken er afladet, skal De lade værktøjet hvile i 15 minutter, før De fortsætter med et nyt batteri.
- Skub først håndtaget til skift af funktionstilstand, så det vender mod  -mærket. Justeringsringen kan indstilles til alle strammingsmomenter til denne funktion. Benyt derefter følgende fremgangsmåde.

#### Boring i træ

Ved boring i træ opnås de bedste resultater med træbor, som er udstyret med en styreskrue. Styreskruen gør det lettere at bore ved at trække spidsen ind i arbejdsmenet.

#### Boring i metal

Lav en fordybning med en kørner og en hammer på det sted, hvor der skal bores, for at forhindre, at spidsen glider, når De starter på et hul. Placer spidsen i fordybningen, og begynd at bore. Anvend en skæreeolie ved boring i metaller. Undtagelser fra denne regel er jern og messing, der skal bores tørre.

## VEDLIGEHOJDELSE

#### FORSIGTIG:

- Sørg altid for, at værktøjet er slukket, og at batteripakken er taget ud, før De forsøger at udføre inspektion eller vedligeholdelse.

- Brug aldrig benzin, benzen, fortynder, alkohol eller lignende. Det kan muligvis medføre misfarvning, deformation eller revner.

## Udskiftning af kulbørsterne (Fig. 16)

Udskift dem, når de er nedslidte til slidgrænsen. Hold kulbørsterne rene og frie til at glide i holderne.

Begge kulbørsterne skal udskiftes samtidig. Brug altid identiske kulbørster.

Brug en skruetrækker til at fjerne de to skruer og derefter fjerne bagdækslet. (Fig. 17)

Løft armen på fjederen, og placer den i den forsænkede del af huset med en kærvskruetrækker med et tyndt skaft eller lignende. (Fig. 18)

Brug en pincet til at fjerne kulbørstedækslerne fra kulbørsterne. Tag de udslidte kulbørster ud, monter de nye, og monter kulbørstedækslerne i omvendt rækkefølge af ovenstående. (Fig. 19)

Sørg for, at kulbørstedækslerne sidder godt fast i hullerne på børsteholderne. (Fig. 20)

Monter bagdækslet igen, og stram de to skruer godt. For at holde produktet SIKKERT og PÁLIDELIGT skal reparationer samt al anden vedligeholdelse eller justering udføres af autoriserede Makita-servicecentre, og der skal altid benyttes Makita-reservedele.

## EKSTRAUDSTYR

### FORSIGTIG:

- Dette tilbehør eller ekstraudstyr anbefales til brug med det Makita-værktøj, som er beskrevet i denne brugsanvisning. Brug af andet tilbehør eller ekstraudstyr kan forårsage personskade. Brug kun tilbehør eller ekstraudstyr til det formål, det er beregnet til.

Henvend dig til dit lokale Makita-servicecenter, hvis du har brug for hjælp eller yderligere oplysninger vedrørende tilbehøret.

- Borespidser
- Slagborespidser
- Skruebits
- Udblæsningskolbe
- Sikkerhedsbriller
- Forskellige typer af originale batterier og opladere fra Makita
- Samling til håndtag
- Dybdemåler
- Krog
- Gummimåttermontering
- Uldhætte
- Skumpoleringsmåtte

### BEMÆRK:

- Visse dele på listen er muligvis indeholdt maskinindpakningen som standardtilbehør. De kan variere fra land til land.

## Støj

Det typiske A-vægtede støjniveau bestemt i overensstemmelse med EN60745:

### Model BHP444

Lydtryksniveau ( $L_{pA}$ ): 85 dB (A)

Lydeffektniveau ( $L_{WA}$ ): 96 dB (A)

Usikkerhed (K): 3 dB (A)

### Model BHP454

Lydtryksniveau ( $L_{pA}$ ): 86 dB (A)

Lydeffektniveau ( $L_{WA}$ ): 97 dB (A)

Usikkerhed (K): 3 dB (A)

### Bær høreværn.

## Vibration

ENG900-1

Den samlede vibrationsværdi (treaksial vektorsum) bestemte i overensstemmelse med EN60745:

### Model BHP444

Arbejdstilstand: slagboring i beton

Vibrationsemission ( $a_{h,1D}$ ): 9,0 m/s<sup>2</sup>

Usikkerhed (K): 2,0 m/s<sup>2</sup>

Arbejdstilstand: boring i metal

Vibrationsemission ( $a_{h,D}$ ): 2,5 m/s<sup>2</sup> eller mindre

Usikkerhed (K): 1,5 m/s<sup>2</sup>

### Model BHP454

Arbejdstilstand: slagboring i beton

Vibrationsemission ( $a_{h,1D}$ ): 7,5 m/s<sup>2</sup>

Usikkerhed (K): 1,5 m/s<sup>2</sup>

Arbejdstilstand: boring i metal

Vibrationsemission ( $a_{h,D}$ ): 2,5 m/s<sup>2</sup> eller mindre

Usikkerhed (K): 1,5 m/s<sup>2</sup>

ENG901-1

- Den opgivne vibrationsemissionsværdi er målt i overensstemmelse med standardtestmetoden og kan bruges til at sammenligne et værktøj med et andet.
- Den opgivne vibrationsemissionsværdi kan muligvis også bruges til en indledende eksponeringsvurdering.

### ADVARSEL:

- Vibrationsemissionen under den faktiske brug af maskinen kan afvige fra den opgivne emissionsværdi afhængigt af den måde, maskinen anvendes på.
- Sørg for at bestemme sikkerhedsforanstaltninger for beskyttelse af operatøren, som er baseret på en eksponeringsvurdering for brug under faktiske forhold (hvor alle anvendelsescyklussens dele inddrages, som f.eks. antal gange maskinen slukkes, og når den kører i tomgang ud over triggertiden).

## Kun for lande i Europa

ENH101-15

### EF-overensstemmelseserklæring

**Vi, Makita Corporation, erklærer som ansvarlig producent at følgende Makita-maskine(r):**

Maskinens betegnelse:

Ledningsfri slagboremaskine

Modelnummer/ type: BHP444, BHP454

er en produktionsserie og

**Overholder følgende europæiske direktiver:**

2006/42/EF

Or er produceret i overensstemmelse med følgende standarder eller standardiserede dokumenter:

EN60745

Den tekniske dokumentation findes hos vores  
autoriserede repræsentant i Europa:  
Makita International Europe Ltd.  
Michigan Drive, Tongwell,  
Milton Keynes, Bucks MK15 8JD, England

30. 1. 2009



Tomoyasu Kato  
Direktør  
Makita Corporation  
3-11-8, Sumiyoshi-cho,  
Anjo, Aichi, 446-8502, JAPAN

## ΕΛΛΗΝΙΚΑ (Πρωτογενείς οδηγίες)

### Περιγραφή γενικής όψης

1. Κόκκινη ένδειξη	12. Βέλος	23. Γάντζος
2. Κουμπί	13. Ατσάλινος δακτύλιος	24. Βίδα
3. Μπαταρία	14. Βάση λαβής	25. Φουσητήρι
4. Ένδειξη άστρου	15. Πλαϊνή λαβή	26. Ένδειξη ορίου
5. Σκανδάλη-διακόπτης	16. Προεξοχή	27. Πίσω κάλυμμα
6. Λάμπα	17. Αυλάκι	28. Βίδες
7. Αναστροφικό	18. Περιβλήμα	29. Βραχίονας
8. Μοχλός αλλαγής ταχύτητας	19. Στήριγμα μύτης	30. Ελατήριο
9. Μοχλός αλλαγής τρόπου δράσης	20. Μύτη	31. Τμήμα με εγκοπή
10. Δακτύλιος ρύθμισης	21. Ράβδος βάθους	32. Καπάκι για καρβουνάκι
11. Διαβάθμιση	22. Βίδα σύσφιξης	33. Οπή

## ΤΕΧΝΙΚΑ ΧΑΡΑΚΤΗΡΙΣΤΙΚΑ

Μοντέλο		BHP444	BHP454
Δυνατότητες	Τσιμέντο	14 mm	16 mm
	Ατσάλι	13 mm	13 mm
	Ξύλο	50 mm	65 mm
	Ξυλόβιδα	6 mm x 75 mm	10 mm x 89 mm
	Μηχανική βίδα	6 mm	
Ταχύτητα χωρίς φόρτο (min <sup>-1</sup> )	Υψηλή (2)	0 - 1.700	
	Χαμηλή (1)	0 - 400	
Κρούσεις το λεπτό (min <sup>-1</sup> )	Υψηλή (2)	0 - 25.500	
	Χαμηλή (1)	0 - 6.000	
Ολικό μήκος		243 mm	
Καθαρό βάρος		2,3 kg	2,4 kg
Ονομαστική τάση		D.C. 14,4 V	

- Λόγω του συνεχόμενου προγράμματος που εφαρμόζουμε για έρευνα και ανάπτυξη, τα τεχνικά χαρακτηριστικά στο παρόν έντυπο υπόκεινται σε αλλαγή χωρίς προειδοποίηση.
- Τα τεχνικά χαρακτηριστικά και η μπαταρία ενδέχεται να διαφέρουν από χώρα σε χώρα.
- Βάρος μαζί με την μπαταρία σύμφωνα με τη διαδικασία της EPTA 01/2003

### Προοριζόμενη χρήση

ENE039-1

Το εργαλείο προορίζεται για κρουστικό τρυπάνισμα σε τούβλα, τσιμέντο και πέτρα, καθώς και για τρυπάνισμα, όχι κρουστικό, σε ξύλο, μέταλλο, κεραμικό και πλαστικό.

## Γενικές Προειδοποιήσεις Ασφαλείας Του Ηλεκτρικού Εργαλείου

GEA010-1

**⚠ ΠΡΟΕΙΔΟΠΟΙΗΣΗ Διαβάστε όλες τις προειδοποιήσεις ασφαλείας και όλες τις οδηγίες.** Αν δεν ακολουθήσετε όλες τις προειδοποιήσεις και τις οδηγίες, υπάρχει κίνδυνος ηλεκτροπληξίας, πυρκαγιάς ή/και σοβαρού τραυματισμού.

## Φυλάξτε όλες τις προειδοποιήσεις και τις οδηγίες για μελλοντική αναφορά.

## ΠΡΟΕΙΔΟΠΟΙΗΣΕΙΣ ΑΣΦΑΛΕΙΑΣ ΓΙΑ ΤΟ ΚΡΟΥΣΤΙΚΟ ΔΡΑΠΑΝΟΚΑΤΣΑΒΙΔΟ ΜΠΑΤΑΡΙΑΣ

GEB056-4

1. **Να φοράτε ωτοασπίδες κατά την διάρκεια του κρουστικού τρυπάνισματος.** Η έκθεση σε θόρυβο μπορεί να προκαλέσει απώλεια ακοής.
2. **Να χρησιμοποιείτε τη βοηθητική χειρολαβή(ες), εάν παρέχονται με το εργαλείο.** Η απώλεια του ελέγχου μπορεί να προκαλέσει προσωπικό τραυματισμό.
3. **Να κρατάτε το ηλεκτρικό εργαλείο από τις μονωμένες λαβές όταν εκτελείτε εργασίες κατά τις οποίες το κοπτικό εξάρτημα μπορεί να έρθει σε επαφή με κρυμμένα καλώδια.** Αν το κοπτικό εξάρτημα έρθει σε επαφή με κάποιο ηλεκτροφόρο καλώδιο, τα εκτεθειμένα μεταλλικά μέρη του ηλεκτρικού εργαλείου θα γίνουν κι αυτά ηλεκτροφόρα και μπορεί να προκληθεί ηλεκτροπληξία στο χειριστή.
4. **Να κρατάτε το ηλεκτρικό εργαλείο από τις μονωμένες λαβές όταν εκτελείτε εργασίες κατά τις οποίες ο σφιγκτήρας μπορεί να έρθει σε επαφή με**

**κρυμμένα καλώδια.** Αν οι σφικτήρες έρθουν σε επαφή με κάποιο ηλεκτροφόρο καλώδιο, τα εκτεθειμένα μεταλλικά μέρη του ηλεκτρικού εργαλείου θα γίνουν κι αυτά ηλεκτροφόρα και μπορεί να προκληθεί ηλεκτροπληξία στο χειριστή.

5. **Να βεβαιώνετε πάντοτε ότι στέκεστε σταθερά.** Όταν χρησιμοποιείτε το εργαλείο σε υψηλές τοποθεσίες, να βεβαιώνετε ότι δεν βρίσκεται κανένας από κάτω.
6. **Να κρατάτε το εργαλείο σταθερά.**
7. **Μην πλησιάζετε τα χέρια σας σε περιστρεφόμενα μέρη.**
8. **Μην αφήνετε το εργαλείο σε λειτουργία.** Το εργαλείο πρέπει να βρίσκεται σε λειτουργία μόνο όταν το κρατάτε.
9. **Μην αγγίζετε τη μύτη ή το τεμάχιο εργασίας αμέσως μετά τη λειτουργία του εργαλείου.** Μπορεί να είναι εξαιρετικά θερμά και να προκληθεί έγκαυμα στο δέρμα σας.
10. **Μερικά υλικά περιέχουν χημικές ουσίες που μπορεί να είναι τοξικές.** Να προσέχετε ώστε να αποφεύγετε την εισπνοή της σκόνης και την επαφή με το δέρμα. Ακολουθείτε τα δεδομένα ασφάλειας υλικού που παρέχονται από τον προμηθευτή.

## ΦΥΛΑΞΤΕ ΑΥΤΕΣ ΤΙΣ ΟΔΗΓΙΕΣ.

### ⚠ ΠΡΟΕΙΔΟΠΟΙΗΣΗ:

**ΜΗΝ** επιτρέψετε στη βολικότητα ή στην εξοικειωσή σας με το προϊόν (που αποκτήθηκε από επανειλημμένη χρήση) να αντικαταστήσει την αυστηρή προσήλωση στους κανόνες ασφάλειας του εν λόγω προϊόντος. Η **ΛΑΝΘΑΣΜΕΝΗ ΧΡΗΣΗ** ή η μη τήρηση των κανόνων ασφαλείας που διατυπώνονται στο παρόν εγχειρίδιο οδηγιών μπορεί να προκαλέσει σοβαρό τραυματισμό.

## ΣΗΜΑΝΤΙΚΕΣ ΟΔΗΓΙΕΣ ΑΣΦΑΛΕΙΑΣ

ENC007-7

## ΓΙΑ ΤΗΝ ΜΠΑΤΑΡΙΑ

1. **Πριν χρησιμοποιήσετε την μπαταρία, διαβάστε όλες τις οδηγίες και τις ενδείξεις προφύλαξης στο (1) φορτιστή μπαταρίας, (2) την μπαταρία και (3) το προϊόν στο οποίο χρησιμοποιείται η μπαταρία.**
2. **Μην αποσυρμαρμολογείτε την μπαταρία.**
3. **Αν ο χρόνος λειτουργίας της μπαταρίας είναι υπερβολικά σύντομος, διακόψτε αμέσως τη λειτουργία.** Αν συνεχίσετε, μπορεί να έχει ως αποτέλεσμα τον κίνδυνο υπερθέρμανσης, πιθανών εγκαυμάτων και ακόμη έκρηξης.
4. **Αν μπει στα μάτια σας ηλεκτρολύτης, ξεπλύνετε με καθαρό νερό και αναζητήστε αμέσως ιατρική βοήθεια.** Μπορεί να χάσετε την όρασή σας.
5. **Μη βραχυκυκλώνετε την μπαταρία:**
  - (1) **Μην αγγίζετε τους ακροδέκτες με αγώγιμο υλικό.**
  - (2) **Μην αποθηκεύετε την μπαταρία σε δοχείο με άλλα μεταλλικά αντικείμενα, όπως καρφιά, νομίσματα, κτλ.**
  - (3) **Μην εκθέτετε την μπαταρία σε νερό ή βροχή.**

**Αν βραχυκυκλωθεί η μπαταρία, μπορεί να προκληθεί μεγάλη ροή ηλεκτρικού ρεύματος, υπερθέρμανση, πιθανά εγκαύματα και ακόμη και καταστροφή της μπαταρίας.**

6. **Μην αποθηκεύετε το εργαλείο και την μπαταρία σε μέρη όπου η θερμοκρασία μπορεί να φτάσει ή να ξεπεράσει τους 50°C (122°F).**
7. **Μην αποτεφρώνετε την μπαταρία ακόμη κι αν παρουσιάζει σοβαρή ζημιά ή είναι εντελώς φθαρμένη.** Η μπαταρία μπορεί να εκραγεί σε φωτιά.
8. **Να προσέχετε να μη σας πέσει η μπαταρία και να μη συγκρουστεί με κάποιο αντικείμενο.**
9. **Μη χρησιμοποιείτε μια μπαταρία που έχει υψοστεί βλάβη.**

## ΦΥΛΑΞΤΕ ΑΥΤΕΣ ΤΙΣ ΟΔΗΓΙΕΣ.

## Συμβουλές για τη διατήρηση της μέγιστης ζωής της μπαταρίας

1. **Να φορτίζετε την μπαταρία πριν αποφορτιστεί εντελώς.**  
Πάντοτε να διακόπτετε τη λειτουργία του εργαλείου και να φορτίζετε την μπαταρία όταν παρατηρείται μειωμένη ισχύ του εργαλείου.
2. **Ποτέ μην επαναφορτίζετε μια πλήρως φορτισμένη μπαταρία.**  
Αν υπερφορτίσετε την μπαταρία, μειώνεται η ωφέλιμη διάρκεια ζωής της.
3. **Να φορτίζετε την μπαταρία σε θερμοκρασία δωματίου, δηλαδή στους 10°C έως 40°C (50°F έως 104°F).** Αν η μπαταρία είναι θερμή, αφήστε την να ψυχθεί πριν τη φορτίσετε.
4. **Να φορτίζετε την κασέτα μπαταρία μια φορά κάθε έξι μήνες όταν δεν τη χρησιμοποιείτε για μεγάλο χρονικό διάστημα.**

## ΠΕΡΙΓΡΑΦΗ ΛΕΙΤΟΥΡΓΙΑΣ

### ΠΡΟΣΟΧΗ:

- Να βεβαιώνετε πάντοτε ότι είναι σβηστό το εργαλείο και αφαιρέσατε την μπαταρία πριν ρυθμίσετε ή ελέγξετε κάποια λειτουργία του εργαλείου.

## Τοποθέτηση ή αφαίρεση της κασέτας μπαταρίας (Εικ. 1)

- Πάντοτε να απενεργοποιείτε το εργαλείο πριν από την τοποθέτηση ή την αφαίρεση της κασέτας μπαταρίας.
- Για να βγάλετε την κασέτα μπαταρίας, σύρετε την από το εργαλείο ολισθαίνοντας το κουμπί στο μπροστινό μέρος της κασέτας.
- Για να τοποθετήσετε την κασέτα μπαταρίας, ευθυγραμμίστε τη γλωττίδα της κασέτας μπαταρίας με την εγκοπή στο περίβλημα και ολισθήστε τη στη θέση της. Πάντοτε να την τοποθετείτε έως το τέρμα, δηλαδή έως όπου ασφαλίσει στη θέση και ακουστεί ένας χαρακτηριστικός ήχος "κλικ". Αν μπορείτε να δείτε την κόκκινη ένδειξη στην πάνω πλευρά του κουμπιού, η μπαταρία δεν είναι πλήρως ασφαλισμένη. Τοποθετήστε την πλήρως για να μη φαίνεται η κόκκινη ένδειξη. Σε αντίθετη περίπτωση, μπορεί να πέσει κατά λάθος από το εργαλείο και να τραυματίσει εσάς ή κάποιον παρευρισκόμενο.

- Να μη χρησιμοποιείτε δύναμη όταν τοποθετείτε την κασέτα μπαταρίας. Αν η κασέτα δεν ολισθαίνει με ευκολία, δεν την εισήγατε σωστά.

## Σύστημα προστασίας μπαταρίας (Μπαταρία ιόντων λιθίου με την ένδειξη άστρου) (Εικ. 2)

Οι μπαταρίες ιόντων λιθίου με ένδειξη άστρου είναι εφοδιασμένες με ένα σύστημα προστασίας. Αυτό το σύστημα διακόπτει αυτόματα το ρεύμα στο εργαλείο για να παρατηρείται η διάρκεια ζωής της μπαταρίας. Το εργαλείο θα σταματήσει αυτόματα κατά τη λειτουργία όταν το εργαλείο και/ή η μπαταρία υποστούν τις παρακάτω συνθήκες.

- Υπερφόρτιση:

Το εργαλείο λειτουργεί με τρόπο που προκαλεί την κατανάλωση ασυνήθιστα υψηλής ποσότητας ρεύματος.

Στην περίπτωση αυτή, ελευθερώστε το διακόπτη ενεργοποίησης του εργαλείου και σταματήστε την εφαρμογή που προκάλεσε την υπερφόρτωση του εργαλείου. Στη συνέχεια, τραβήξτε τη σκανδάλη ξανά για επανεκκίνηση.

Εάν το εργαλείο δεν ξεκινά, η μπαταρία έχει υπερθερμανθεί. Στην περίπτωση αυτή, αφήστε την μπαταρία να κρυώσει πριν τραβήξετε τη σκανδάλη ξανά.

- Χαμηλή τάση της μπαταρίας:

Η εναπομείνουσα ποσότητα ρεύματος της μπαταρίας είναι πολύ χαμηλή και το εργαλείο δεν θα λειτουργήσει. Σε αυτήν την περίπτωση, αφαιρέστε και επαναφορτίστε τη μπαταρία.

## Δράση διακόπτη (Εικ. 3)

### ΠΡΟΣΟΧΗ:

- Πριν βάλετε την μπαταρία στο εργαλείο, πάντοτε να ελέγχετε ότι η σκανδάλη-διακόπτης ενεργοποιείται κανονικά και επιστρέφει στη θέση OFF όταν την αφήνετε.

Για να ξεκινήσετε το εργαλείο, απλά πατήστε τη σκανδάλη-διακόπτη. Αν αυξήσετε την πίεση στη σκανδάλη-διακόπτη, αυξάνεται η ταχύτητα του εργαλείου. Για να σταματήσετε, αφήστε τη σκανδάλη-διακόπτη.

## Άναμμα της μπροστινής λάμπας (Εικ. 4)

### ΠΡΟΣΟΧΗ:

- Μην κοιτάτε κατευθείαν μέσα στο φως ή στην πηγή φωτός.

Τραβήξτε τη σκανδάλη-διακόπτη για να ανάψετε τη λάμπα. Η λάμπα εξακολουθεί να είναι αναμμένη όσο τραβάτε τη σκανδάλη-διακόπτη. Η λάμπα σβήνει σε 10 έως 15 δευτερόλεπτα αφού αφήσετε τη σκανδάλη.

### ΠΑΡΑΤΗΡΗΣΗ:

- Χρησιμοποιήστε ένα στεγνό πανί για να σκουπίσετε τη σκόνη από το φακό της λάμπας. Προσέχετε να μη γρατσουνίσετε το φακό της λάμπας, διότι έτσι ενδύχεται να μειωθεί η ένταση του φωτισμού.

## Δράση αναστροφικού (Εικ. 5)

Το εργαλείο αυτό διαθέτει αναστροφικό για να αλλάζει η κατεύθυνση περιστροφής. Πατήστε το αναστροφικό από

την πλευρά "Α" για δεξιόστροφη περιστροφή ή από την πλευρά "Β" για αριστερόστροφη περιστροφή. Όταν το αναστροφικό βρίσκεται στην ουδέτερη θέση, δεν μπορείτε να πατήσετε τη σκανδάλη-διακόπτη.

### ΠΡΟΣΟΧΗ:

- Πριν από τη λειτουργία, να ελέγχετε πάντοτε την κατεύθυνση περιστροφής.
- Χρησιμοποιήστε το αναστροφικό μόνο όταν το εργαλείο είναι εντελώς ακινητοποιημένο. Αν αλλάξετε την κατεύθυνση περιστροφής πριν ακινητοποιηθεί το εργαλείο, μπορεί να προκληθεί βλάβη στο εργαλείο.
- Όταν δεν χειρίζεστε το εργαλείο, να βάζετε πάντοτε το αναστροφικό στην ουδέτερη θέση.




## Αλλαγή ταχύτητας (Εικ. 6)

Για να αλλάξετε την ταχύτητα, σβήστε πρώτα το εργαλείο και κατόπιν στρώξτε το μοχλό αλλαγής ταχύτητας στην πλευρά "2" για υψηλή ταχύτητα ή στην πλευρά "1" για χαμηλή ταχύτητα. Πριν από τη λειτουργία, βεβαιωθείτε ότι ο μοχλός αλλαγής ταχύτητας είναι ρυθμισμένος στη σωστή θέση. Να χρησιμοποιείτε τη σωστή ταχύτητα, ανάλογα με την εργασία σας.




### ΠΡΟΣΟΧΗ:

- Να ρυθμίζετε πάντοτε το μοχλό αλλαγής ταχύτητας πλήρως στη σωστή θέση. Αν χειρίζεστε το εργαλείο με το μοχλό αλλαγής ταχύτητας να βρίσκεται μεταξύ της πλευράς "1" και "2", μπορεί να προκληθεί βλάβη στο εργαλείο.
- Μη χρησιμοποιείτε το μοχλό αλλαγής ταχύτητας όταν λειτουργεί το εργαλείο. Μπορεί να προκληθεί βλάβη στο εργαλείο.

## Επιλογή του τρόπου δράσης (Εικ. 7)

Το εργαλείο αυτό διαθέτει μοχλό αλλαγής τρόπου δράσης. Επιλέξτε με το μοχλό αυτό έναν από τους τρεις τρόπους, ο οποίος είναι κατάλληλος για την εργασία σας. Για περιστροφή μόνο, ολισθήστε το μοχλό ώστε να δείχνει προς την ένδειξη  στο σώμα του εργαλείου. Για περιστροφή με κρουστική δύναμη, ολισθήστε το μοχλό ώστε να δείχνει προς την ένδειξη  στο σώμα του εργαλείου. Για περιστροφή με σύσφιξη, ολισθήστε το μοχλό ώστε να δείχνει προς την ένδειξη  στο σώμα του εργαλείου.

### ΣΗΜΕΙΩΣΗ:

- Όταν αλλάζετε τη θέση από  σε , ίσως δυσκολευτείτε να ολισθήσετε το μοχλό αλλαγής τρόπου δράσης. Σε αυτήν την περίπτωση, ενεργοποιήστε το εργαλείο και θέστε το σε λειτουργία για ένα δευτερόλεπτο στη θέση . Κατόπιν σταματήστε το εργαλείο και ολισθήστε το μοχλό στη θέση που επιθυμείτε.

### ΠΡΟΣΟΧΗ:

- Να ρυθμίζετε πάντοτε το μοχλό σωστά στην ένδειξη για τον τρόπο δράσης που θέλετε. Εάν θέσετε το εργαλείο σε λειτουργία με το μοχλό τοποθετημένο μεταξύ των ενδείξεων τρόπου δράσης, μπορεί να προκληθεί βλάβη στο εργαλείο.

## Ρύθμιση της ροπής στερέωσης (Εικ. 8)

Μπορείτε να ρυθμίσετε τη ροπή στερέωσης σε 16 βήματα αν περιστρέψετε το δακτύλιο ρύθμισης με τρόπο ώστε οι διαβαθμίσεις του να ευθυγραμμίζονται με το βέλος στο

κύριο σώμα του εργαλείου. Η ροπή στερέωσης είναι η ελάχιστη όταν ο αριθμός 1 είναι ευθυγραμμισμένος με το βέλος, ενώ είναι η μέγιστη όταν ο αριθμός 16 είναι ευθυγραμμισμένος με το βέλος.

Πριν από τη λειτουργία, βιδώστε μια δοκιμαστική βίδα στο υλικό σας ή σε ένα κομμάτι πανομοιότυπου υλικού για να καθορίσετε το επίπεδο ροπής που απαιτείται για τη συγκεκριμένη εφαρμογή.

## ΣΥΝΑΡΜΟΛΟΓΗΣΗ

### ΠΡΟΣΟΧΗ:

- Να βεβαιώνετε πάντοτε ότι το εργαλείο είναι σβηστό και αποσυνδεδεμένο από το ηλεκτρικό ρεύμα πριν εκτελέσετε οποιαδήποτε εργασία σε αυτό.

### Τοποθέτηση πλευρικής λαβής (βοηθητική λαβή) (Εικ. 9)

Να χρησιμοποιείτε πάντα την πλαϊνή λαβή για να εξασφαλίζετε την ασφάλεια κατά τη λειτουργία. Τοποθετήστε την πλευρική λαβή έτσι ώστε οι προεξοχές στη βάση της λαβής και στον ασάλινο δακτύλιο να προσαρμόζονται ανάμεσα στα αυλάκια στο κύριο τμήμα του εργαλείου. Κατόπιν περιστρέψτε τη λαβή δεξιόστροφα για να τη σφίξετε.

### Τοποθέτηση ή αφαίρεση της μύτης βιδώματος ή της μύτης τρυπανιού (Εικ. 10)

Στρέψτε το περίβλημα αριστερόστροφα για να ανοίξετε τις σιαγόνες κεφαλής. Τοποθετήστε τη μύτη στην κεφαλή έως το τέρμα. Στρέψτε το περίβλημα δεξιόστροφα για να σφίξετε την κεφαλή.

Για να βγάλετε τη μύτη, στρέψτε το περίβλημα αριστερόστροφα.

### Τοποθέτηση του στηρίγματος μύτης (Εικ. 11)

Προσαρμόστε το στηρίγμα μύτης μέσα στην προεξοχή στο κάτω μέρος του εργαλείου, στη δεξιά ή την αριστερή πλευρά και ασφαλίστε το με μια βίδα.

Όταν δεν χρησιμοποιείτε τη μύτη βιδώματος, φυλάσσετε τη στα στηρίγματα μύτης.

Μπορείτε να φυλάσσετε εκεί μύτες με μήκος 45 mm.

### Ρύθμιση βάθους κοπής (Εικ. 12)

Η ρυθμιζόμενη ράβδος βάθους χρησιμοποιείται για το τρυπάνισμα οπών με ίδιο βάθος. Χαλαρώστε τη βίδα σύσφιξης, ρυθμίστε τη στη θέση που επιθυμείτε και κατόπιν σφίξτε τη βίδα σύσφιξης.

### Γάντζος (Εικ. 13)

Ο γάντζος χρησιμεύει για το προσωρινό κρέμασμα του εργαλείου.

Μπορείτε να τον τοποθετήσετε σε οποιαδήποτε πλευρά του εργαλείου.

Για να τοποθετήσετε το γάντζο, βάλτε τον σε μια εγκοπή στο περίβλημα του εργαλείου σε οποιαδήποτε πλευρά του και κατόπιν ασφαλίστε τον με μια βίδα.


Για να τον βγάλετε, χαλαρώστε τη βίδα και κατόπιν αφαιρέστε τον.

## ΛΕΙΤΟΥΡΓΙΑ

### Λειτουργία τρυπανίσματος με κρούση (Εικ. 14)

#### ΠΡΟΣΟΧΗ:


- Ασκείται μια τεράστια και ξαφνική δύναμη στρέψης στο εργαλείο/μύτη τη στιγμή που διαπερνάται η τρύπα, όταν η τρύπα φράσσει με θραύσματα και σωματίδια ή όταν το εργαλείο/μύτη χτυπάει ράβδους ενίσχυσης που είναι ενσωματωμένες στο τοιμμένο. Να χρησιμοποιείτε πάντα την πλαϊνή λαβή (βοηθητική λαβή) και, κατά τη λειτουργία, να κρατάτε το εργαλείο καλά και από την πλαϊνή λαβή και από τη λαβή του διακόπτη. Αν δεν το κάνετε αυτό, μπορεί να έχει ως αποτέλεσμα την απώλεια ελέγχου του εργαλείου και πιθανώς το σοβαρό τραυματισμό.

Αρχικά, ολισθήστε το μοχλό αλλαγής του τρόπου δράσης ώστε να δείχνει προς την ένδειξη . Για τη λειτουργία αυτή, μπορείτε να ευθυγραμμίσετε το δακτύλιο ρύθμισης σε οποιοδήποτε επίπεδο ροπής. Βεβαιωθείτε ότι χρησιμοποιείτε μύτη με άκρο βολφραμίου-καρβιδίου. Τοποθετήστε τη μύτη στη θέση που επιθυμείτε να τρυπάνισετε και κατόπιν τραβήξτε τη σκανδάλη-διακόπτη. Μην ασκείτε πίεση στο εργαλείο. Θα έχετε καλύτερα αποτελέσματα με ελαφριά πίεση. Να διατηρείτε το εργαλείο στη θέση του και να αποφεύγετε την ολίσθησή του από την τρύπα. Μην ασκείτε περισσότερη πίεση σε περίπτωση που η οπή φράξει με θραύσματα ή σωματίδια. Αντ' αυτού, σταματήστε αργά τη λειτουργία του εργαλείου και κατόπιν βγάλτε τη μύτη μερικώς από την οπή. Αν επαναλάβετε τη διαδικασία αυτή μερικές φορές, η οπή θα καθαρίσει και θα μπορείτε να συνεχίσετε κανονικά το τρυπάνισμα.

### Φυσητήρι (προαιρετικό αξεσουάρ) (Εικ. 15)

Μετά από το τρυπάνισμα της τρύπας, χρησιμοποιήστε το φυσητήρι για να καθαρίσετε τη σκόνη από την τρύπα.

### Λειτουργία βιδώματος

Αρχικά, ολισθήστε το μοχλό αλλαγής του τρόπου δράσης ώστε να δείχνει προς την ένδειξη . Θέστε το δακτύλιο ρύθμισης στο σωστό επίπεδο ροπής για την εργασία σας. Κατόπιν, συνεχίστε όπως περιγράφεται στη συνέχεια. Τοποθετήστε το άκρο της μύτης βιδώματος στην κεφαλή της βίδας και ασκήστε πίεση στο εργαλείο. Ξεκινήστε αργά το εργαλείο και κατόπιν αυξήστε σταδιακά την ταχύτητα. Αφήστε τη σκανδάλη-διακόπτη μόλις ολισθήσει ο σφικτήρας.

#### ΣΗΜΕΙΩΣΗ:

- Βεβαιωθείτε ότι τοποθετήσατε τη μύτη βιδώματος απευθείας στην κεφαλή της βίδας. Διαφορετικά, μπορεί να προκληθεί βλάβη στη βίδα ή/και στη μύτη.
- Όταν βιδώνετε ξυλόβιδες, τρυπάνιστε από πριν καθοδηγητικές οπές για να διευκολύνετε το βιδώμα και να αποφύγετε τη διάσπαση του ξύλου. Ανατρέξτε στον πίνακα.

Όνομαστική διάμετρος της ξυλόβιδας (mm)	Συνιστώμενο μέγεθος καθοδηγητικής οπής (mm)
3,1	2,0 - 2,2
3,5	2,2 - 2,5
3,8	2,5 - 2,8
4,5	2,9 - 3,2
4,8	3,1 - 3,4
5,1	3,3 - 3,6
5,5	3,6 - 3,9
5,8	4,0 - 4,2
6,1	4,2 - 4,4


#### ΣΗΜΕΙΩΣΗ:

- Αν το εργαλείο λειτουργεί συνεχόμενα έως ότου αποφορτιστεί η μπαταρία, αφήστε το εργαλείο σβηστό για 15 λεπτά πριν συνεχίσετε την εργασία με καινούργια μπαταρία.

## Λειτουργία τρυπανίσματος

#### ΠΡΟΣΟΧΗ:

- Δεν θα επιταχυνθεί το τρυπάνισμα αν πιέζετε υπερβολικά το εργαλείο. Στην πραγματικότητα, αυτή η υπερβολική πίεση απλώς θα προκαλέσει βλάβη στη μύτη τρυπανιού, θα μειώσει την απόδοσή του τρυπανιού και θα συντομεύσει την ωφέλιμη διάρκεια ζωής του εργαλείου.
- Ασκείται τεράστια δύναμη στο εργαλείο/μύτη τη στιγμή που διαπερνάει η οπή. Κρατήστε το εργαλείο σταθερά και προσέχετε όταν η μύτη ξεκινήσει να διαπερνάει το τεμάχιο εργασίας.
- Μπορείτε να βγάλετε μια μύτη που έχει εμπλακεί ρυθμίζοντας απλώς το αναστροφικό σε αντίστροφη κατεύθυνση περιστροφής ώστε να αποσυρθεί το εργαλείο. Όμως, το εργαλείο μπορεί να αποσυρθεί απότομα αν δεν το κρατάτε σταθερά.
- Να στερεώνετε πάντοτε τα μικρά τεμάχια εργασίας σε μέγερνη ή παρόμοια συσκευή.
- Αν το εργαλείο λειτουργεί συνεχόμενα έως ότου αποφορτιστεί η μπαταρία, αφήστε το εργαλείο σβηστό για 15 λεπτά πριν συνεχίσετε την εργασία με καινούργια μπαταρία.

Αρχικά, ολισθήστε το μοχλό αλλαγής του τρόπου δράσης ώστε να δείχνει προς την ένδειξη . Για τη λειτουργία αυτή, μπορείτε να ευθυγραμμίσετε το δακτύλιο ρύθμισης σε οποιοδήποτε επίπεδο ροπής. Κατόπιν, συνεχίστε όπως περιγράφεται στη συνέχεια.

#### Τρυπάνισμα ξύλου

Όταν τρυπανίζετε σε ξύλο, έχετε καλύτερα αποτελέσματα με μύτες για ξύλο εξοπλισμένες με βίδα οδηγησης. Η βίδα οδηγησης κάνει το τρυπάνισμα ευκολότερο επειδή τραβάει τη μύτη μέσα στο τεμάχιο εργασίας.

#### Τρυπάνισμα σε μέταλλο

Για να μην ολισθήσει μια μύτη όταν ξεκινάτε τη δημιουργία μιας τρύπας, κάντε ένα κοίλωμα με πόντα και σφυρί στο σημείο όπου θα τρυπανίσετε. Τοποθετήστε τη μύτη στο κοίλωμα και ξεκινήστε το τρυπάνισμα. Όταν τρυπανίζετε μέταλλα, χρησιμοποιήστε λιπαντικό κοπής. Εξαίρεση αποτελούν το σίδηρο και ο χάλυβας τα οποία θα πρέπει να τρυπανίζετε στεγνά.

## ΣΥΝΤΗΡΗΣΗ

#### ΠΡΟΣΟΧΗ:

- Να βεβαιώνετε πάντοτε ότι το εργαλείο είναι σβηστό και έχετε αφαιρέσει την μπαταρία πριν εκτελέσετε οποιαδήποτε εργασία ελέγχου ή συντήρησης σε αυτό.
- Μην χρησιμοποιήσετε βενζίνη, βενζόλη, διαλυτικό, αλκοόλη ή κάτι παρόμοιο. Μπορεί να προκαλέσει αποχρωματισμό, παραμόρφωση ή ρωγμές.

## Αλλαγή των ψηκτρών των καρβουνακίων (Εικ. 16)

Αντικαταστήστε τα όταν έχουν φθαρεί έως την ένδειξη ορίου. Να διατηρείτε τα καρβουνάκια καθαρά και ελεύθερα για να γλιστρούν στις υποδοχές. Πρέπει να αλλάζετε ταυτόχρονα και τα δύο καρβουνάκια. Να χρησιμοποιείτε μόνο καρβουνάκια ίδιου τύπου. Με ένα κατασβίδι, βγάλτε τις δύο βίδες και μετά βγάλτε το πίσω κάλυμμα. (Εικ. 17)

Σηκώστε το τμήμα βραχίονα του ελατηρίου και κατόπιν τοποθετήστε το στο τμήμα εγκοπής του περιβλήματος με ένα λοξό, λεπτό κατασβίδι ή παρόμοιο εργαλείο. (Εικ. 18) Χρησιμοποιήστε τανάλια για να αφαιρέσετε τα καπάκια για τα καρβουνάκια. Βγάλτε τα φθαρμένα καρβουνάκια, τοποθετήστε τα καινούργια και τοποθετήστε ξανά τα καπάκια για τα καρβουνάκια με αντίστροφη σειρά. (Εικ. 19)

Βεβαιωθείτε ότι τα καπάκια για τα καρβουνάκια εφαρμόζουν καλά στις οπές στις θήκες καρβουνακίων. (Εικ. 20)

Τοποθετήστε ξανά το πίσω κάλυμμα και σφίξτε καλά τις δύο βίδες. Για να διατηρείται η ΑΣΦΑΛΕΙΑ και η ΑΞΙΟΠΙΣΤΙΑ του προϊόντος, οι εργασίες επισκευής, καθώς και οποιαδήποτε άλλη εργασία συντήρησης ή ρύθμισης, θα πρέπει να εκτελούνται σε εξουσιοδοτημένα κέντρα εξυπηρέτησης της Makita, και πάντοτε με τη χρήση ανταλλακτικών της Makita.

## ΠΡΟΑΙΡΕΤΙΚΑ ΑΞΕΣΟΥΑΡ

#### ⚠ ΠΡΟΣΟΧΗ:

- Συνιστάται η χρήση αυτών των αξεσουάρ ή εξαρτημάτων με το εργαλείο της Makita, όπως περιγράφεται στο παρόν εγχειρίδιο. Αν χρησιμοποιήσετε άλλα αξεσουάρ ή εξαρτήματα μπορεί να παρουσιαστεί κίνδυνος για πρόκληση τραυματισμού προσωπών. Να χρησιμοποιείτε τα αξεσουάρ και τα εξαρτήματα μόνο για το σκοπό για τον οποίο προορίζονται.

Αν χρειάζεστε κάποια βοήθεια ή περισσότερες πληροφορίες σχετικά με τα αξεσουάρ αυτά, απευθυνθείτε στο πλησιέστερο κέντρο εξυπηρέτησης της Makita.

- Μύτες τρυπανίσματος
- Μύτες τρυπανίσματος του κρουστικού τρυπανιού
- Μύτες βιδώματος
- Φυσητήρι
- Γυαλιά ασφάλειας
- Διάφορα είδη γνήσιων μπαταριών και φορτιστών Makita
- Συναρμολόγηση λαβής
- Ράβδος βάθους
- Γάντζος
- Διάταξη λαστιχένιου βύσματος
- Μάλλινο κάλυμμα



- Αφρώδες βύσμα λείανσης

#### ΣΗΜΕΙΩΣΗ:

- Ορισμένα από τα στοιχεία της λίστα μπορεί να περιέχονται στην συσκευασία του εργαλείου ως κανονικά αξεσουάρ. Αυτά ενδέχεται να διαφέρουν από χώρα σε χώρα.

#### Θόρυβος

ENG905-1

Το σύνθετος σταθμισμένο επίπεδο θορύβου που έχει καθοριστεί σύμφωνα με την EN60745:

##### Μοντέλο BHP444

Επίπεδο ηχητικής πίεσης ( $L_{pA}$ ): 85 dB (A)  
Επίπεδο ηχητικής ισχύος ( $L_{WA}$ ): 96 dB (A)  
Αβεβαιότητα (K): 3 dB (A)

##### Μοντέλο BHP454

Επίπεδο ηχητικής πίεσης ( $L_{pA}$ ): 86 dB (A)  
Επίπεδο ηχητικής ισχύος ( $L_{WA}$ ): 97 dB (A)  
Αβεβαιότητα (K): 3 dB (A)

#### Να φοράτε ωτοασπίδες.

#### Δόνηση

ENG900-1

Η συνολική τιμή δόνησης (διανυσματικό άθροισμα τριών αξόνων) που έχει καθοριστεί σύμφωνα με την EN60745:

##### Μοντέλο BHP444

Κατάσταση λειτουργίας: κρουστική διάτρηση σε τσιμέντο  
Εκπομπή δόνησης ( $a_{h,1D}$ ): 9,0 m/s<sup>2</sup>  
Αβεβαιότητα (K): 2,0 m/s<sup>2</sup>

Κατάσταση λειτουργίας: διάτρηση σε μέταλλο  
Εκπομπή δόνησης ( $a_{h,1D}$ ): 2,5 m/s<sup>2</sup> ή λιγότερο  
Αβεβαιότητα (K): 1,5 m/s<sup>2</sup>

##### Μοντέλο BHP454

Κατάσταση λειτουργίας: κρουστική διάτρηση σε τσιμέντο  
Εκπομπή δόνησης ( $a_{h,1D}$ ): 7,5 m/s<sup>2</sup>  
Αβεβαιότητα (K): 1,5 m/s<sup>2</sup>

Κατάσταση λειτουργίας: διάτρηση σε μέταλλο  
Εκπομπή δόνησης ( $a_{h,1D}$ ): 2,5 m/s<sup>2</sup> ή λιγότερο  
Αβεβαιότητα (K): 1,5 m/s<sup>2</sup>

ENG901-1

- Η δηλωθείσα τιμή των παραγομένων κραδασμών έχει καταμετρηθεί σύμφωνα με την τυποποιημένη μέθοδο δοκιμασίας και μπορεί να χρησιμοποιηθεί για την σύγκριση ενός εργαλείου με ένα άλλο.
- Η δηλωθείσα τιμή των παραγομένων κραδασμών μπορεί επίσης να χρησιμοποιηθεί για μια προκαταρκτική αξιολόγηση της έκθεσης στους κραδασμούς.

#### ΠΡΟΕΙΔΟΠΟΙΗΣΗ:

- Η εκπομπή κραδασμών κατά τη διάρκεια της πραγματικής χρήσης του ηλεκτρικού εργαλείου μπορεί να διαφέρει από τη δηλωθείσα τιμή των εκπομπών, ανάλογα με τον τρόπο με τον οποίο χρησιμοποιείται το εργαλείο.
- Φροντίστε να λάβετε τα μέτρα ασφαλείας που απαιτούνται για την προστασία του χρήστη που βασίζονται σε μια εκτίμηση της έκθεσης σε πραγματικές συνθήκες χρήσης (λαμβάνοντας υπόψη όλα τα μέρη του κύκλου λειτουργίας, όπως είναι οι περιπτώσεις κατά τις οποίες το εργαλείο είναι απενεργοποιημένο και όταν λειτουργεί στο ρελαντί

επιπροσθέτως του χρόνου κατά τον οποίο το εργαλείο βρίσκεται σε χρήση).

Για Ευρωπαϊκές χώρες μόνο

ENH101-15

**EK – Δήλωση συμμόρφωσης**

**Η Εταιρία Makita ως υπεύθυνος κατασκευαστής, δηλώνει ότι το παρακάτω μηχάνημα ή μηχανήματα της Makita:**

Ονομασία Μηχανήματος:

Κρουστικό δραπανοκαταβίδο μπαταρίας

Αρ. Μοντέλου/ Τύπος: BHP444, BHP454

αποτελούν παραγωγή σε σειρά και

**Συμμορφώνονται με τις ακόλουθες Ευρωπαϊκές**

**Οδηγίες:**

2006/42/EK

Και κατασκευάζονται σύμφωνα με τα παρακάτω πρότυπα ή τυποποιημένα έγγραφα:

EN60745

Ο εξουσιοδοτημένος μας αντιπρόσωπος στην Ευρώπη διατηρεί τα τεχνικά έγγραφα, ο οποίος είναι:

Makita International Europe Ltd.

Michigan Drive, Tongwell,

Milton Keynes, Bucks MK15 8JD, England

30. 1. 2009



Tomoyasu Kato

Διευθυντής

Makita Corporation

3-11-8, Sumiyoshi-cho,

Anjo, Aichi, 446-8502, JAPAN





**Makita Corporation**  
Anjo, Aichi, Japan

[www.makita.com](http://www.makita.com)

884812C994

ALA

Download from [Www.Somanuals.com](http://Www.Somanuals.com). All Manuals Search And Download.

## Free Manuals Download Website

<http://myh66.com>

<http://usermanuals.us>

<http://www.somanuals.com>

<http://www.4manuals.cc>

<http://www.manual-lib.com>

<http://www.404manual.com>

<http://www.luxmanual.com>

<http://aubethermostatmanual.com>

Golf course search by state

<http://golfingnear.com>

Email search by domain

<http://emailbydomain.com>

Auto manuals search

<http://auto.somanuals.com>

TV manuals search

<http://tv.somanuals.com>