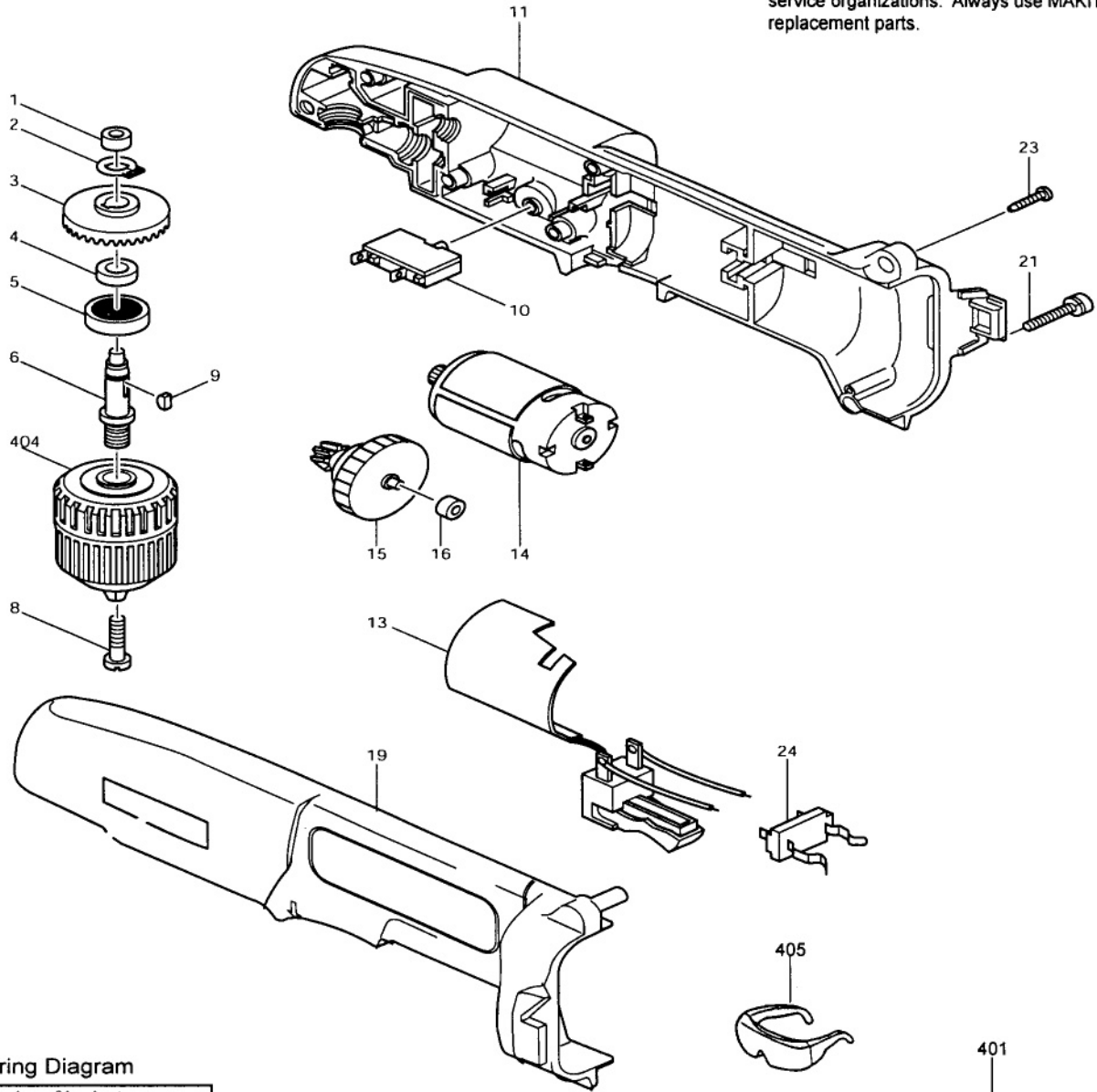




3/8" (10mm) CORDLESS ANGLE DRILL

MODEL DA312DWD
MODEL DA312DZ

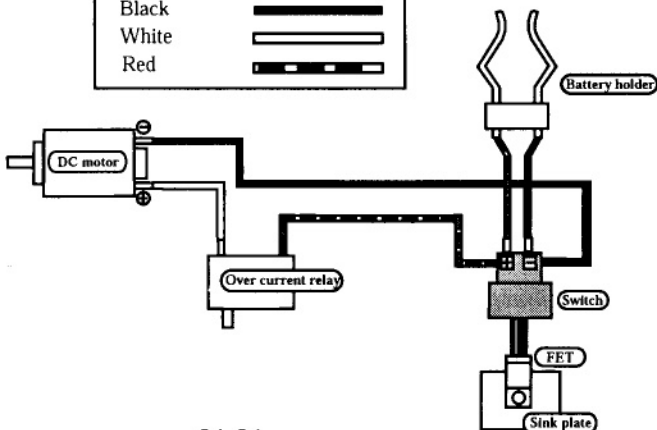
IMPORTANT! - To assure product SAFETY and RELIABILITY, repairs, maintenance or adjustments should be performed by MAKITA Service Centers or other qualified service organizations. Always use MAKITA replacement parts.



Wiring Diagram

Color index of lead wires

Black	———
White	———
Red	———



01-01

Fig.	Part No.	Qty. Used	DESCRIPTION	Fig.	Part No.	Qty. Used	DESCRIPTION
1	214017-9	1	PLANE BEARING 5	16	214019-5	1	PLANE BEARING 4
2	961004-6	1	RETAINING RING S-8	19	183329-0	1	HOUSING SET (Incl. Fig. 11,22)
3	221387-9	1	SPIRAL BEVEL GEAR 36	21	911143-2	1	PAN HEAD SCREW M4X22
4	257106-7	1	RING 8	23	266130-9	6	TAPPING SCREW BIND PT 3X16
5	211031-6	1	BALL BEARING 608LLB	24	643909-9	1	BATTERY HOLDER
6	322278-8	1	SPINDLE				
8	251451-2	1	PAN HEAD SCREW M5X22				
9	254031-3	1	WOODRUFF KEY 3				
10	652532-9	1	OVER CURRENT RELAY BC51				
11	183329-0	1	HOUSING SET (Incl. Fig. 19,22)				
13	650504-8	1	SWITCH TG55B-142				
14	629771-6	1	DC MOTOR (Incl. 1 ea. SPUR GEAR 11 221851-0)	400	414938-7	1	BATTERY COVER
15	153193-3	1	GEAR COMPLETE	401	193157-5	1	BATTERY 1234
				402	824627-0	1	PLASTIC TOOL CASE (Incl. 1 ea. SLIDE LATCH SET 186347-7)
				403	DC1411	1	DC1411 FAST CHARGER
				404	763132-1	1	KEYLESS DRILL CHUCK (Incl. Fig. 8)
				405	191686-2	1	SAFETY GOGGLES
2 MODEL DA312DWD/DZ				ACCESSORIES			

01-01

Free Manuals Download Website

<http://myh66.com>

<http://usermanuals.us>

<http://www.somanuals.com>

<http://www.4manuals.cc>

<http://www.manual-lib.com>

<http://www.404manual.com>

<http://www.luxmanual.com>

<http://aubethermostatmanual.com>

Golf course search by state

<http://golfingnear.com>

Email search by domain

<http://emailbydomain.com>

Auto manuals search

<http://auto.somanuals.com>

TV manuals search

<http://tv.somanuals.com>