



3/8" CORDLESS ANGLE DRILL MODEL DA392DZ

MODEL DA392DWD

IMPORTANT! - To assure product SAFETY and RELIABILITY, repairs, maintenance or adjustments should be performed by MAKITA Service Centers or other qualified service organizations. Always use MAKITA replacement parts.

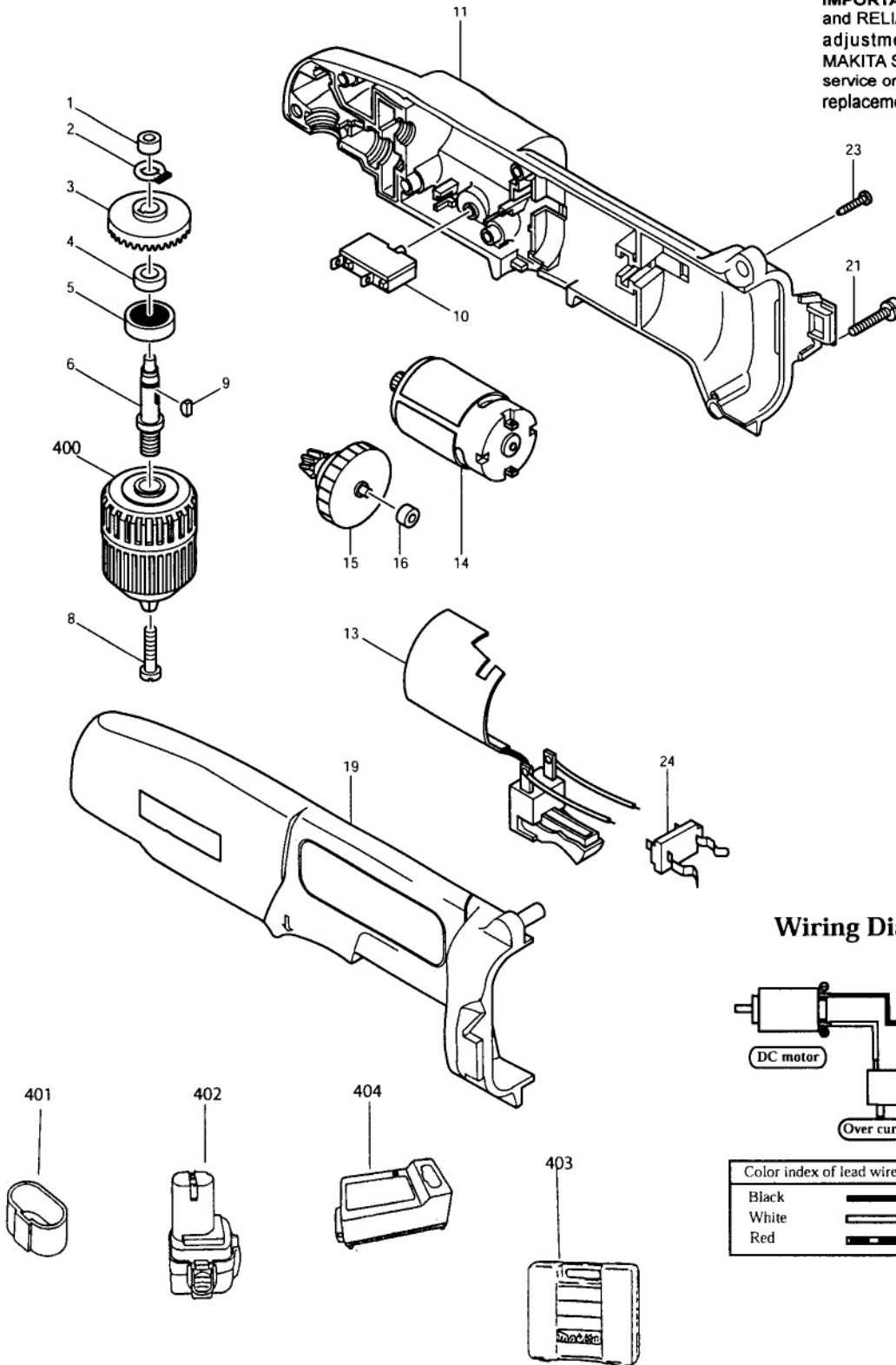


Fig.	Part No.	Q'ty Used	DESCRIPTION	Fig.	Part No.	Q'ty Used	DESCRIPTION
1	214017-9	1	PLANE BEARING 5	16	214019-5	1	PLANE BEARING 4
2	961004-6	1	RETAINING RING S-8	19	183331-3	1	HOUSING SET (INCL. FIG.11)
3	221387-9	1	SPIRAL BEVEL GEAR 36	21	911143-2	1	PAN HEAD SCREW M4X22
4	257106-7	1	RING 8	23	266130-9	6	TAPPING SCREW BIND PT 3X16
5	211031-6	1	BALL BEARING 608LLB	24	643909-9	1	BATTERY HOLDER
6	322278-8	1	SPINDLE				
8	251451-2	1	PAN HEAD SCREW M5X22				
9	254031-3	1	WOODRUFF KEY 3				
10	652532-9	1	OVER CURRENT RELAY BC51				
11	183331-3	1	HOUSING SET (INCL. FIG.19)				
13	650504-8	1	SWITCH TG55B-142				
14	629769-3	1	DC MOTOR (INCL. 221851-0 SPURGEAR)				
15	153193-3	1	GEAR COMPLETE				
					<u>ACCESSORY</u>		
				400	763132-1	1	KEYLESS DRILL CHUCK (INCL. FIG. 8)
				401	414938-7	1	BATTERY COVER
				402	193156-7	1	BATTERY 9134 SET
				403	824627-0	1	PLASTIC TOLL CASE (INCL. 186347-7 SLIDE LATCH SET)
				404	DC1411	1	CHARGER (INCL.2EA 654079-9 INSULATED RECEPTACLE DF1.25)

2 Model DA392DWD/DZ

01-01

Free Manuals Download Website

<http://myh66.com>

<http://usermanuals.us>

<http://www.somanuals.com>

<http://www.4manuals.cc>

<http://www.manual-lib.com>

<http://www.404manual.com>

<http://www.luxmanual.com>

<http://aubethermostatmanual.com>

Golf course search by state

<http://golfingnear.com>

Email search by domain

<http://emailbydomain.com>

Auto manuals search

<http://auto.somanuals.com>

TV manuals search

<http://tv.somanuals.com>