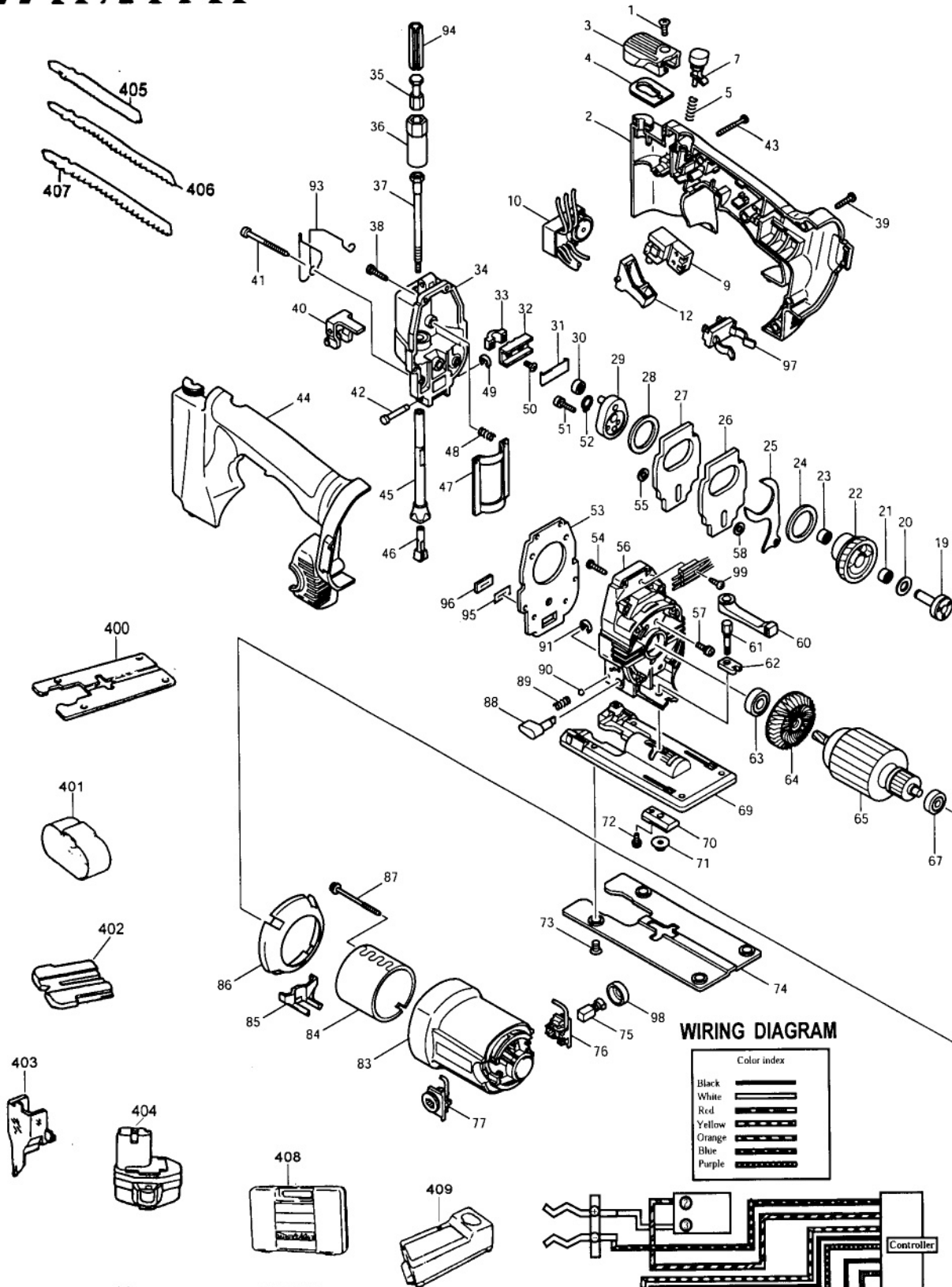




# CORDLESS JIG SAW

Model 4334DWD



**IMPORTANT** - To assure product SAFETY and RELIABILITY, repairs, maintenance or adjustments should be performed by MAKITA service Centers or other qualified service organizations. Always use MAKITA replacement parts.

| Fig. | Part No. | Q'ty Used | Description  | Fig. | Part No. | Q'ty Used | Description  |
|------|----------|-----------|--|------|----------|-----------|--|
| 1    | 912102-9 | 1         | COUNTERSUNK HEAD SCREW M4X6  |      |          |           | (Incl. 1ea. 256143-8 Pin 6; 3ea. 256235-3            |
| 2    | 183302-0 | 1         | HANDLE SET(Incl. Fig. 44)  |      |          |           | Pin 5; 1ea. 263002-9 Rubber Pin 4; &                 |
| 3    | 416370-1 | 1         | LEVER 51   |      |          |           | 2ea. 951051-5 Spring PIN 3-8)                        |
| 4    | 344331-0 | 1         | INNER LEVER  | 57   | 911111-5 | 3         | PAN HEAD SCREW M4X10                                 |
| 5    | 233194-8 | 1         | COMPRESSION SPRING 4   | 58   | 253715-0 | 1         | FLAT WASHER 6  |
| 7    | 416644-0 | 1         | SWITCH BUTTON  | 60   | 272232-1 | 1         | LEVER 65   |
| 9    | 651976-0 | 1         | SWITCH TG73BD  | 61   | 265434-6 | 1         | HEX. BOLT M5X24                                      |
| 10   | 631373-6 | 1         | CONTROLLER   | 62   | 344332-8 | 1         | NUT M6   |
| 12   | 416642-4 | 1         | SWITCH LEVER   | 63   | 211031-6 | 1         | BALL BEARING 608LLB                                  |
| 19   | 322691-0 | 1         | GEAR SHAFT   | 64   | 241875-0 | 1         | FAN 54   |
| 20   | 253139-0 | 1         | FLAT WASHER 8  | 65   | 519064-8 | 1         | ARMATURE ASS'Y                                       |
| 21   | 212043-2 | 1         | NEEDLE BEARING 810   |      |          |           | (Incl. Fig. 63, 64, & 67)                            |
| 22   | 226538-9 | 1         | HELICAL GEAR   | 67   | 211021-9 | 1         | BALL BEARING 607LLB                                  |
| 23   | 212043-2 | 1         | NEEDLE BEARING 810   | 69   | 316777-0 | 1         | BASE   |
| 24   | 253792-2 | 1         | FLAT WASHER 26   | 70   | 344333-6 | 1         | CLAMP PLATE  |
| 25   | 344134-2 | 1         | PUSH PLATE   | 71   | 252142-8 | 1         | HEX.NUT FLANGE M5                                    |
| 26   | 344330-2 | 1         | BALANCE PLATE  | 72   | 911109-2 | 1         | PAN HEAD SCREW M4X8                                  |
| 27   | 344330-2 | 1         | BALANCE PLATE  | 73   | 912202-5 | 4         | COUNTERSUNK HEAD SCREW M5X8                          |
| 28   | 253792-2 | 1         | FLAT WASHER 26   | 74   | 344443-9 | 1         | BASE PLATE   |
| 29   | 152454-8 | 1         | CRANK COMPLETE<br>(Incl. 256033-5 Pin 6)   | 75   | 191970-5 | 1         | CARBON BRUSH CB-429                                  |
| 30   | 212010-7 | 1         | NEEDLE BEARING 607   | 76   | 643976-4 | 1         | BRUSH HOLDER R                                       |
| 31   | 344232-2 | 1         | THRUST PLATE   | 77   | 643977-2 | 1         | BRUSH HOLDER L                                       |
| 32   | 310028-3 | 1         | SLIDER   | 83   | 183324-0 | 1         | MOTOR HOUSING SET (Incl. Fig. 81)                    |
| 33   | 316608-3 | 1         | HOLDER   | 84   | 632828-4 | 1         | YOKE UNIT  |
| 34   | 151596-5 | 1         | GEAR HOUSING COVER COMPLETE<br>(Incl. 1ea. 214005-6 Plane bearing B;<br>2ea. 951057-3 Spring Pin 3-12) | 85   | 415879-0 | 1         | AIR CAP  |
| 35   | 324097-8 | 1         | CONNECTOR  | 86   | 415878-2 | 1         | BAFFLE PLATE   |
| 36   | 416351-5 | 1         | JOINT  | 87   | 266209-6 | 2         | TAPPING SCREW 4X60                                   |
| 37   | 322826-3 | 1         | DRIVER ROD   | 88   | 272231-3 | 1         | LEVER 17   |
| 38   | 266034-5 | 2         | TAPPING SCREW CT 4X16  | 89   | 233151-6 | 1         | COMPRESSION SPRING 4                                 |
| 39   | 265995-6 | 5         | TAPPING SCREW 4X18   | 90   | 216008-6 | 1         | STEEL BALL 4   |
| 40   | 151426-0 | 1         | RETAINER COMPLETE (Incl. 256667-4<br>Pin 4; 322709-7 Roller; 961017-7<br>Stop Ring E-3)                | 91   | 961018-5 | 1         | STOP RING E-5  |
| 41   | 266147-2 | 2         | TAPPING SCREW 4X55   | 93   | 322893-8 | 1         | SAFETY WIRE  |
| 42   | 256693-3 | 1         | PIN 4  | 94   | 344537-0 | 1         | HEX. SLEEVE  |
| 43   | 266048-4 | 1         | TAPPING SCREW 4X40   | 95   | 344784-3 | 1         | SEAL PLATE   |
| 44   | 183302-0 | 1         | HANDLE SET (Incl. Fig. 2)  | 96   | 443106-5 | 1         | FELT 10-20   |
| 45   | 168282-1 | 1         | ROD  | 97   | 643918-8 | 1         | BATTERY HOLDER                                       |
| 46   | 310005-5 | 1         | BLADE FIX  | 98   | 643941-3 | 2         | BRUSH HOLDER CAP                                     |
| 47   | 344137-6 | 1         | SLIDE PLATE  | 99   | 911006-2 | 1         | PAN HEAD SCREW M3X8                                  |
| 48   | 233151-6 | 2         | COMPRESSION SPRING 4   |      |          |           | <b>ACCESSORIES</b>                                   |
| 49   | 961017-7 | 1         | STOP RING E-3  | 400  | 413068-1 | 1         | BASE PLATE   |
| 50   | 265035-0 | 2         | COUNTERSUNK HEAD SCREW M4X10   | 401  | 414938-7 | 1         | BATTERY COVER  |
| 51   | 922126-7 | 2         | HEX. SOCKET HEAD BOLT M4X16  | 402  | 415524-7 | 1         | ANTI-SPLINTERING DEVICE                              |
| 52   | 961004-6 | 1         | RETAINING RING S-8   | 403  | 415887-1 | 1         | PROTECTOR  |
| 53   | 442123-2 | 1         | PACKING  | 404  | 193159-1 | 1         | BATTERY 1834   |
| 54   | 265995-6 | 2         | TAPPING SCREW 4X18   | 405  | 792473-8 | 1         | JIG SAW BLADE B-22                                   |
| 55   | 253715-0 | 1         | FLAT WASHER 6  | 406  | 792529-7 | 1         | JIG SAW BLADE B-10                                   |
| 56   | 152771-6 | 1         | GEAR HOUSING COMPLETE  | 407  | 792729-9 | 1         | JIG SAW BLADE BR-13                                  |
|      |          |           |  | 408  | 824553-3 | 1         | PLASTIC CARRYING CASE<br>(Incl. 2ea. 416661-0 Latch) |
|      |          |           |  | 409  | DC1801   | 1         | BATTERY CHARGER                                      |

## Free Manuals Download Website

<http://myh66.com>

<http://usermanuals.us>

<http://www.somanuals.com>

<http://www.4manuals.cc>

<http://www.manual-lib.com>

<http://www.404manual.com>

<http://www.luxmanual.com>

<http://aubethermostatmanual.com>

Golf course search by state

<http://golfingnear.com>

Email search by domain

<http://emailbydomain.com>

Auto manuals search

<http://auto.somanuals.com>

TV manuals search

<http://tv.somanuals.com>