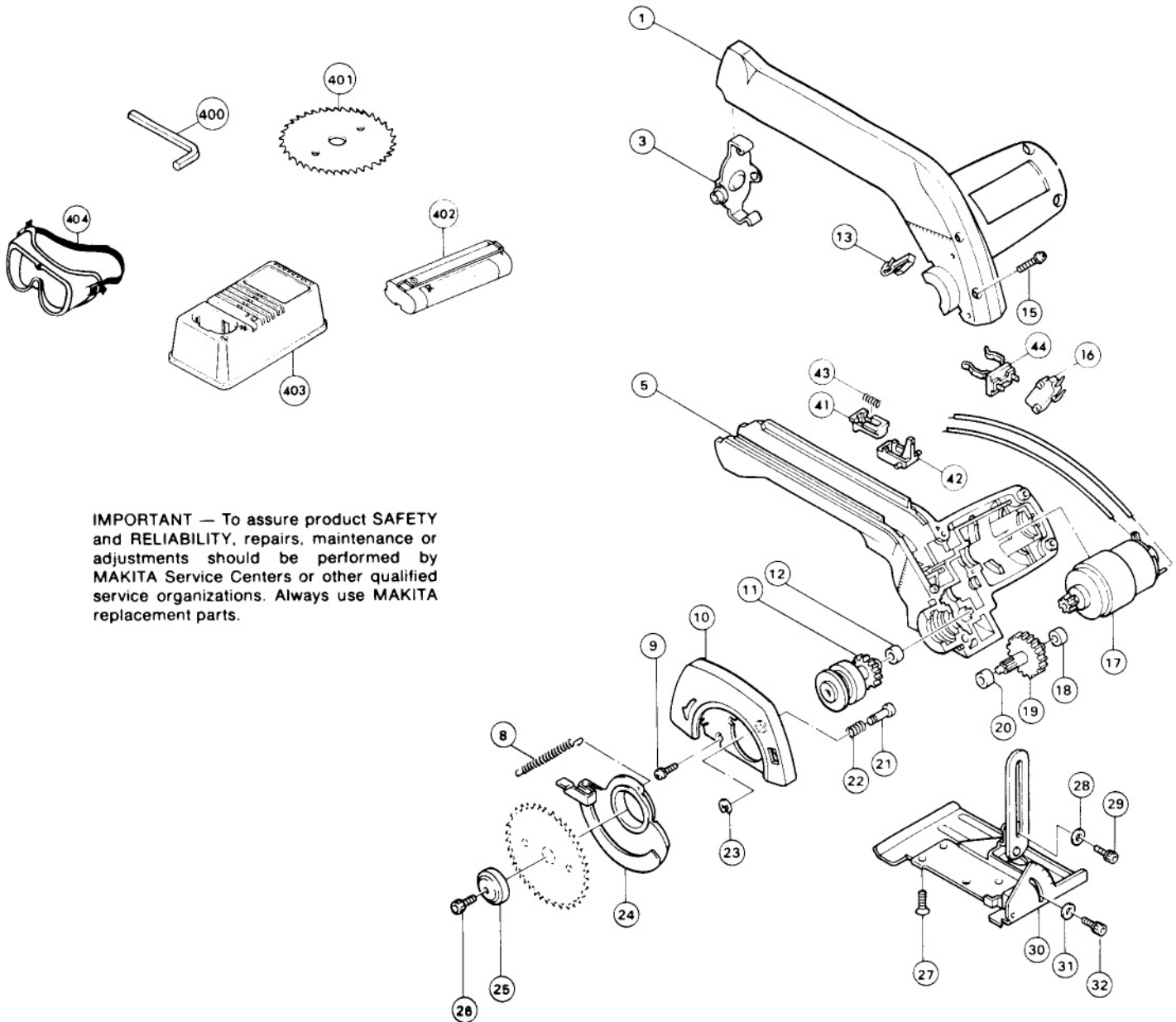




# 3 3/8" CORDLESS SAW

**Model 5090D**  
**Model 5090DW**



**IMPORTANT** — To assure product **SAFETY** and **RELIABILITY**, repairs, maintenance or adjustments should be performed by **MAKITA** Service Centers or other qualified service organizations. Always use **MAKITA** replacement parts.

| Fig. | Part No.  | Qty. Used | Description                  | Fig.               | Part No. | Qty. Used | Description           |
|------|-----------|-----------|------------------------------|--------------------|----------|-----------|-----------------------|
| 1    | 182025-7  | 1         | HOUSING SET (INCL. FIG. 3,5) | 26                 | 922212-4 | 1         | H.S.H. BOLT M5×12     |
| 3    | 163157-9  | 1         | SET PLATE                    | 27                 | 912222-9 | 3         | C.H.SCREW M5×16       |
| 5    | 182025-7  | 1         | HOUSING SET (INCL. FIG. 1,3) | 28                 | 253184-5 | 1         | FLAT WASHER 5         |
| 8    | 231749-3  | 1         | TENSION SPRING 5             | 29                 | 922206-9 | 1         | H.S.H. BOLT M5×10     |
| 9    | 911121-2  | 3         | PAN HEAD SCREW M4×14         | 30                 | 163281-8 | 1         | BASE                  |
| 10   | 164872-8  | 1         | BLADE CASE                   | 31                 | 253184-5 | 1         | FLAT WASHER 5         |
| 11   | 153132-3  | 1         | GEAR COMPLETE                | 32                 | 922206-9 | 1         | H.S.H. BOLT M5×10     |
| 12   | 214017-9  | 1         | PLANE BEARING 5              | 41                 | 414169-8 | 1         | LOCK OFF LEVER        |
| 13   | 232061-4  | 1         | LEAF SPRING                  | 42                 | 414168-0 | 1         | SWITCH LEVER          |
| 15   | 911148-2  | 5         | PAN HEAD SCREW M4×25         | 43                 | 231390-2 | 1         | COMPRESSION SPRING 3  |
| 16   | 651862-5  | 1         | SWITCH                       | 44                 | 643909-9 | 1         | BATTERY HOLDER        |
| 17   | 629574-8  | 1         | DC MOTOR 9.6V                | <b>ACCESSORIES</b> |          |           |                       |
| 18   | 214019-5  | 1         | PLANE BEARING 4              | 400                | 783202-0 | 1         | HEX WRENCH 4          |
| 19   | 226053-3A | 1         | GEAR COMPLETE                | 401                | 721003-8 | 1         | COMBINATION SAW BLADE |
| 20   | 214019-5  | 1         | PLANE BEARING 4              | 402                | 632007-4 | 1         | BATTERY (9.6V)        |
| 21   | 256625-0  | 1         | PIN 5                        | 403                | 113087-4 | 1         | 1 HOUR CHARGER        |
| 22   | 231098-8  | 1         | COMPRESSION SPRING 6         | 404                | 191686-2 | 1         | SAFETY GOGGLES        |
| 23   | 961011-9  | 1         | STOP RING E-4                |                    |          |           |                       |
| 24   | 164548-7  | 1         | SAFETY COVER                 |                    |          |           |                       |
| 25   | 224177-9  | 1         | OUTER FLANGE 28              |                    |          |           |                       |

## Free Manuals Download Website

<http://myh66.com>

<http://usermanuals.us>

<http://www.somanuals.com>

<http://www.4manuals.cc>

<http://www.manual-lib.com>

<http://www.404manual.com>

<http://www.luxmanual.com>

<http://aubethermostatmanual.com>

Golf course search by state

<http://golfingnear.com>

Email search by domain

<http://emailbydomain.com>

Auto manuals search

<http://auto.somanuals.com>

TV manuals search

<http://tv.somanuals.com>