

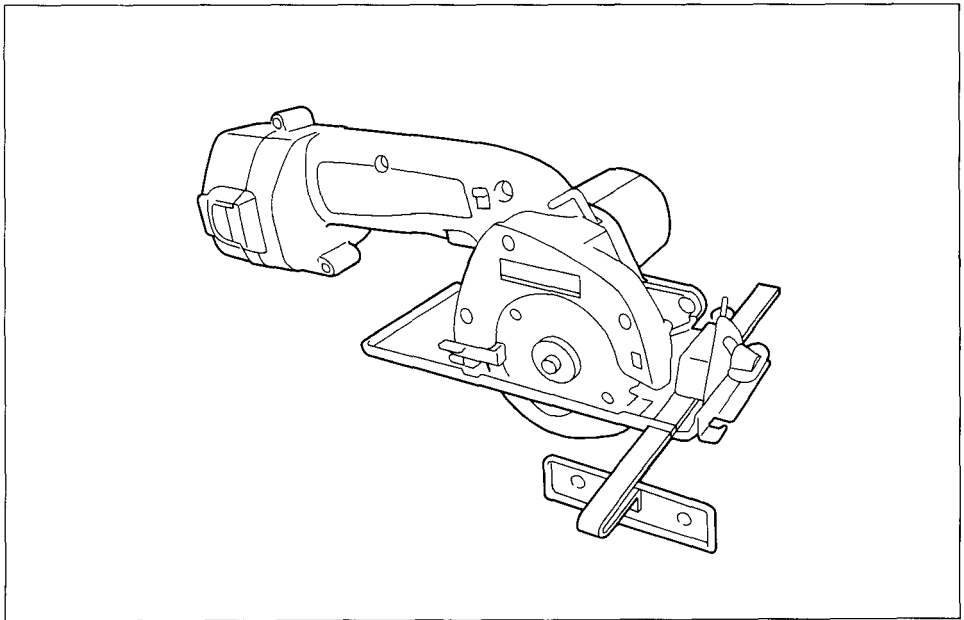


Cordless Circular Saw

85 mm (3-3/8") MODEL 5093DZ

85 mm (3-3/8") MODEL 5093DWA
With High Capacity Battery Charger

INSTRUCTION MANUAL



SPECIFICATIONS

• Model 5093D

Blade diameter	Cutting depth		No load speed (RPM)	Overall length	Net weight
	90°	45°			
85 mm (3-3/8")	0 – 24.5 mm (0 – 15/16")	0 – 18 mm (0 – 11/16")	1,000	320 mm (12-5/8")	2.0 kg (4.4 lbs)

• Battery Cartridge 1222

• Model DC1411 High capacity Battery charger

Voltage	Input	Output	Charging time
12 V	A.C. only 50 – 60 Hz	D.C. 7.2 V – 14.4 V	1 Hr.

* Manufacturer reserves the right to change specifications without notice.

* Note: Specifications may differ from country to country.

WARNING: For your personal safety, READ and UNDERSTAND before using.

SAVE THESE INSTRUCTIONS FOR FUTURE REFERENCE.

Download from www.Somanuals.com. All Manuals Search And Download.

GENERAL SAFETY RULES

(For All Battery Operated Tools)

WARNING! Read and understand all instructions. Failure to follow all instructions listed below, may result in electric shock, fire and/or serious personal injury.

SAVE THESE INSTRUCTIONS

Work Area

- **Keep your work area clean and well lit.** Cluttered benches and dark areas invite accidents.
- **Do not operate power tools in explosive atmospheres, such as in the presence of flammable liquids, gases, or dust.** Power tools create sparks which may ignite the dust or fumes.
- **Keep bystanders, children, and visitors away while operating a power tool.** Distractions can cause you to lose control.

Electrical Safety

- **A battery operated tool with integral batteries or a separate battery pack must be recharged only with the specified charger for the battery.** A charger that may be suitable for one type of battery may create a risk of fire when used with another battery.
- **Use battery operated tool only with specifically designated battery pack.** Use of any other batteries may create a risk of fire.

Personal Safety

- **Stay alert, watch what you are doing, and use common sense when operating a power tool. Do not use tool while tired or under the influence of drugs, alcohol, or medication.** A moment of inattention while operating power tools may result in serious personal injury.
- **Dress properly. Do not wear loose clothing or jewelry. Contain long hair. Keep your hair, clothing, and gloves away from moving parts.** Loose clothes, jewelry, or long hair can be caught in moving parts.
- **Avoid accidental starting. Be sure switch is in the locked or off position before inserting battery pack.** Carrying tools with your finger on the switch or inserting the battery pack into a tool with the switch on invites accidents.
- **Remove adjusting keys or switches before turning the tool on.** A wrench or a key that is left attached to a rotating part of the tool may result in personal injury.
- **Do not overreach. Keep proper footing and balance at all times.** Proper footing and balance enable better control of the tool in unexpected situations.
- **Use safety equipment. Always wear eye protection.** Dust mask, non-skid safety shoes, hard hat, or hearing protection must be used for appropriate conditions.

Tool Use and Care

- **Use clamps or other practical way to secure and support the workpiece to a stable platform.** Holding the work by hand or against your body is unstable and may lead to loss of control.
- **Do not force tool. Use the correct tool for your application.** The correct tool will do the job better and safer at the rate for which it is designed.
- **Do not use tool if switch does not turn it on or off.** A tool that cannot be controlled with the switch is dangerous and must be repaired.
- **Disconnect battery pack from tool or place the switch in the locked or off position before making any adjustments, changing accessories, or storing the tool.** Such preventive safety measures reduce the risk of starting the tool accidentally.
- **Store idle tools out of reach of children and other untrained persons.** Tools are dangerous in the hands of untrained users.
- **When battery pack is not in use, keep it away from other metal objects like: paper clips, coins, keys, nails, screws, or other small metal objects that can make a connection from one terminal to another.** Shorting the battery terminals together may cause sparks, burns, or a fire.
- **Maintain tools with care. Keep cutting tools sharp and clean.** Properly maintained tools with sharp cutting edge are less likely to bind and are easier to control.
- **Check for misalignment or binding of moving parts, breakage of parts, and any other condition that may affect the tool's operation. If damaged, have the tool serviced before using.** Many accidents are caused by poorly maintained tools.
- **Use only accessories that are recommended by the manufacturer for your model.** Accessories that may be suitable for one tool may create a risk of injury when used on another tool.

Service

- **Tool service must be performed only by qualified repair personnel.** Service or maintenance performed by unqualified personnel may result in a risk of injury.
- **When servicing a tool, use only identical replacement parts. Follow instructions in the Maintenance section of this manual.** Use of unauthorized parts or failure to follow Maintenance Instructions may create a risk of shock or injury.

Specific Safety Rules

- 1. DANGER! Keep hands away from cutting area and blade. Keep your second hand on auxiliary handle, or motor housing.** If both hands are holding the saw, they cannot be cut by the blade.

Keep your body positioned to either side of the saw blade, but not in line with the saw blade. KICKBACK could cause the saw to jump backwards. (See "Causes and Operator Prevention of Kickback")

Do not reach underneath the work while blade is rotating. The guard can not protect you from the blade below the work. Don't attempt to remove cut material when blade is moving.

CAUTION: Blades coast after turn off.

- 2. Check lower guard for proper closing before each use. Do not operate saw if lower guard does not move freely and close instantly. Never clamp or tie the lower guard into the open position.** If saw is accidentally dropped, lower guard may be bent. Raise the lower guard with the Retracting Handle and make sure it moves freely and does not touch the blade or any other part, in all angles and depths of cut.
- 3. Check the operation and condition of the lower guard spring. If the guard and the spring are not operating properly, they must be serviced before use.** Lower guard may operate sluggishly due to damaged parts gummy deposits, or a buildup of debris.
- 4. Lower guard should be retracted manually only for special cuts such as "Pocket Cuts" and "Compound Cuts." Raise lower guard by Retracting Handle. As soon as blade enters the material, lower guard must be released.** For all other sawing, the lower guard should operate automatically.
- 5. Always observe that the lower guard is covering the blade before placing saw down on bench or floor.** An unprotected, coasting blade will cause the saw to walk backwards, cutting whatever is in its path. Be aware of the time it takes for the blade to stop after switch is released.
- 6. NEVER hold piece being cut in your hands or across your leg.** It is important to support the work properly to minimize body exposure, blade binding, or loss of control.
- 7. Hold tool by insulated gripping surfaces when performing an operation where the cutting tool may contact hidden wiring or its own cord.** Contact with a "live" wire will also make exposed metal parts of the tool "live" and shock the operator.
- 8. When ripping always use a rip fence or straight edge guide.** This improves the accuracy of cut and reduces the chance for blade binding.
- 9. Always use blades with correct size and shape (diamond vs. round) arbor holes.** Blades that do not match the mounting hardware of the saw will run eccentrically, causing loss of control.
- 10. Never use damaged or incorrect blade washers or bolts.** The blade washers and bolt were specially designed for your saw, for optimum performance and safety or operation.

11. Causes and Operator Prevention of Kickback:

Kickback is a sudden reaction to a pinched, bound or misaligned saw blade, causing an uncontrolled saw to lift up and out of the workpiece toward the operator.

When the blade is pinched or bound tightly by the kerf closing down, the blade stalls and the motor reaction drives the unit rapidly back toward the operator.

If the blade becomes twisted or misaligned in the cut, the teeth at the back edge of the blade can dig into the top surface of the wood causing the blade to climb out of the kerf and jump back toward operator.

Kickback is the result of tool misuse and/or incorrect operating procedures or conditions and can be avoided by taking proper precautions as given below.

Maintain a firm grip with both hands on the saw and position your body and arm to allow you to resist KICKBACK forces. KICKBACK forces can be controlled by the operator, if proper precautions are taken.

When blade is binding, or when interrupting a cut for any reason, release the trigger and hold the saw motionless in the material until the blade comes to a complete stop. Never attempt to remove the saw from the work or pull the saw backward while the blade is in motion or KICKBACK may occur. Investigate and take corrective actions to eliminate the cause of blade binding.

When restarting a saw in the workpiece, center the saw blade in the kerf and check that saw teeth are not engaged into the material. If saw blade is binding, it may walk up or KICKBACK from the workpiece as the saw is restarted.

Support large panels to minimize the risk of blade pinching and KICKBACK. Large panels tend to sag under their own weight. Supports must be placed under the panel on both sides, near the line of cut and near the edge of the panel as shown in Fig. 1.

To minimize the risk of blade pinching and kickback. When cutting operation requires the resting of the saw on the work piece, the saw shall be rested on the larger portion and the smaller piece cut off.

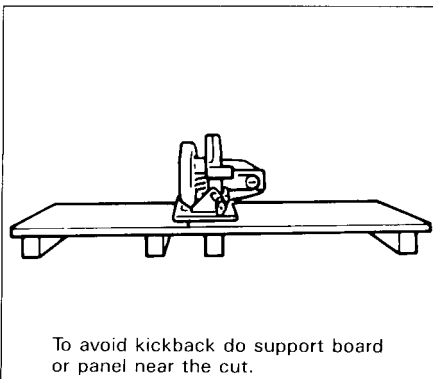


Fig. 1

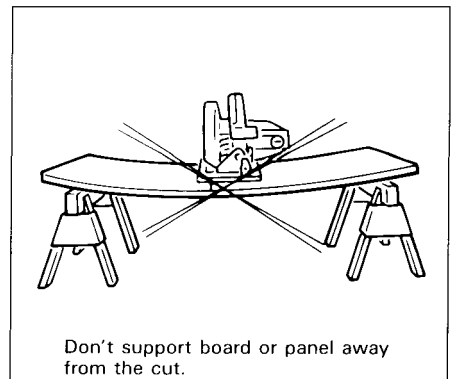


Fig. 2

Do not use dull or damaged blade. Unsharpened or improperly set blades produce narrow kerf causing excessive friction, blade binding and KICKBACK. Blade depth and bevel adjusting locking levers must be tight and secure before making cut. If blade adjustment shifts while cutting, it may cause binding and KICKBACK.

Use extra caution when making a "Pocket Cut" into existing walls or other blind areas. The protruding blade may cut objects that can cause KICKBACK.

NEVER place your hand or fingers behind the saw. If kickback occurs, the saw could easily jump backwards over your hand, possibly causing severe injury.

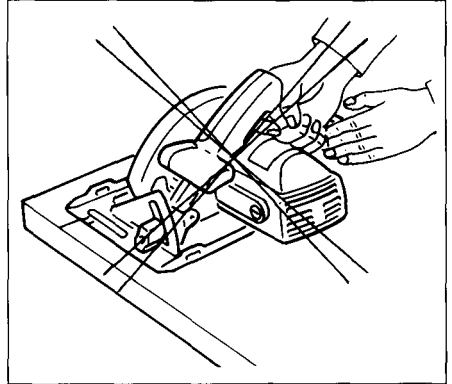


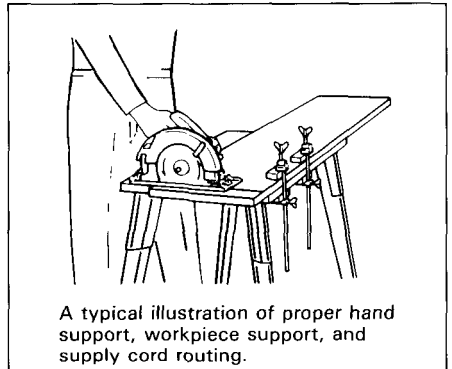
Fig. 3

12. **Adjustments.** Before cutting be sure depth and bevel adjustments are tight.

13. **Avoid Cutting Nails.** Inspect for and remove all nails from lumber before cutting.

14. **When operating the saw, keep the cord away from the cutting area and position it so that it will not be caught on the workpiece during the cutting operation.**

Operate with proper hand support, proper workpiece support, and supply cord routing away from the work area.



A typical illustration of proper hand support, workpiece support, and supply cord routing.

Fig. 4

WARNING:

It is important to support the workpiece properly and to hold the saw firmly to prevent loss of control which could cause personal injury. Fig. 4 illustrates typical hand support of the saw.

15. Place the wider portion of the saw base on that part of the workpiece which is solidly supported, not on the section that will fall off when the cut is made. As examples, Fig. 5 illustrates the **RIGHT** way to cut off the end of a board, and Fig. 6 the **WRONG** way. If the workpiece is short or small, clamp it down. **DON'T TRY TO HOLD SHORT PLACES BY HAND!**

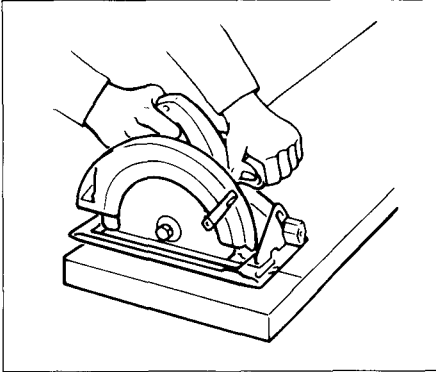


Fig. 5

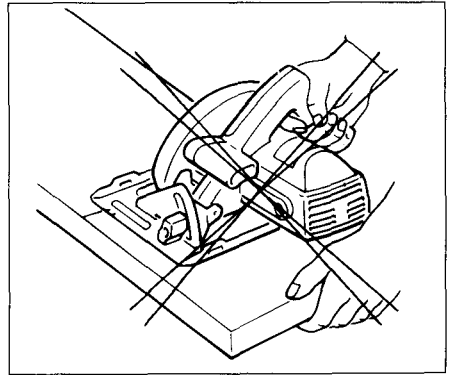


Fig. 6

16. Never attempt to saw with the circular saw held upside down in a vise. This is extremely dangerous and can lead to serious accidents.

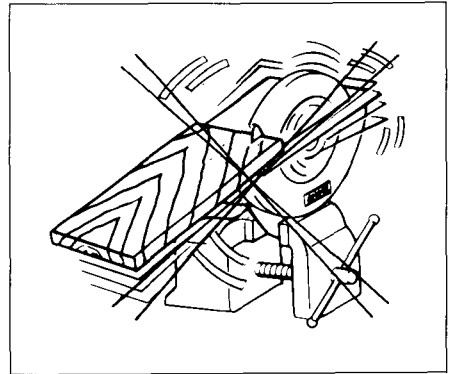


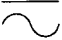



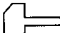


Fig. 7

17. Before setting the tool down after completing a cut, be sure that the lower (telescoping) guard has closed and the blade has come to a complete stop.

SYMBOLS

Listed below are symbols commonly used on tools.

V	volts
A	amperes
Hz	hertz
kg	kilograms
h	hours
min	minutes
s	seconds
	alternating current
	direct current
n_0	no load speed
	alternating or direct current
	Class II Construction
	splash-proof construction
	watertight construction
.../min	revolutions or reciprocation per minute
	number of blows

IMPORTANT SAFETY INSTRUCTIONS FOR CHARGER & BATTERY CARTRIDGE

- 1. SAVE THESE INSTRUCTIONS** — This manual contains important safety and operating instructions for battery charger.
2. Before using battery charger, read all instructions and cautionary markings on (1) battery charger, (2) battery, and (3) product using battery.
3. **CAUTION** — To reduce risk of injury, charge only MAKITA Battery Cartridge 7000, 7001, 7002, 7033, 7100, 7120, 9000, 9001, 9002, 9033, 9100, 9101, 9102, 9120, 9122, 9133, 1200, 1201, 1202, 1210, 1211, 1220, 1222, 1233, 1422, 1433, 9101A, 9102A, 1201A or 1202A. Other types of batteries may burst causing personal injury and damage.
4. Do not expose charger to rain or snow.
5. Use of an attachment not recommended or sold by the battery charger manufacturer may result in a risk of fire, electric shock, or injury to persons.
6. To reduce risk of damage to electric plug and cord, pull by plug rather than cord when disconnecting charger.
7. Make sure cord is located so that it will not be stepped on, tripped over, or otherwise subjected to damage or stress.
8. An extension cord should not be used unless absolutely necessary. Use of improper extension cord could result in a risk of fire and electric shock. If extension cord must be used, make sure:
 - a. That pins on plug of extension cord are the same number, size, and shape as those of plug on charger;
 - b. That extension cord is properly wired and in good electrical condition; and
 - c. That wire size is at least as large as the one specified in the table below.

TABLE 1
RECOMMENDED MINIMUM AWG SIZE FOR
EXTENSION CORDS FOR BATTERY CHARGERS

Length of Cord (Feet)	25	50	100	150
AWG Size of Cord	18	18	18	16

9. Do not operate charger with damaged cord or plug — replace them immediately.
10. Do not operate charger if it has received a sharp blow, been dropped, or otherwise damaged in any way; take it to a qualified serviceman.
11. Do not disassemble charger or battery cartridge; take it to a qualified serviceman when service or repair is required. Incorrect reassembly may result in a risk of electric shock or fire.
12. To reduce risk of electric shock, unplug charger from outlet before attempting any maintenance or cleaning. Turning off controls will not reduce this risk.

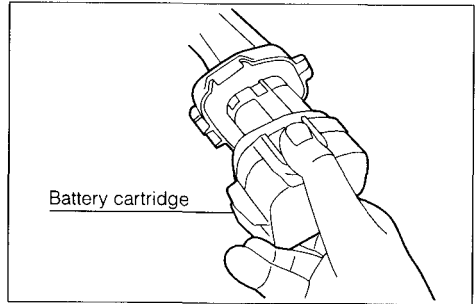
ADDITIONAL SAFETY RULES FOR CHARGER & BATTERY CARTRIDGE

- 1. Do not charge Battery Cartridge when temperature is BELOW 10°C (50°F) or ABOVE 40°C (104°F).**
- 2. Do not attempt to use a step-up transformer, an engine generator or DC power receptacle.**
- 3. Do not allow anything to cover or clog the charger vents.**
- 4. Always cover the battery terminals with the battery cover when the battery cartridge is not used.**
- 5. A battery short can cause a large current flow, overheating, possible burns and even a breakdown.**
 - (1) Do not touch the terminals with any conductive material.**
 - (2) Avoid storing battery cartridge in a container with other metal objects such as nails, coins, etc.**
 - (3) Do not expose battery cartridge to water or rain.**
- 6. Do not store the tool and Battery Cartridge in locations where the temperature may reach or exceed 50°C (122°F).**
- 7. Do not incinerate the Battery Cartridge even if it is severely damaged or is completely worn out. The battery cartridge can explode in a fire.**

SAVE THESE INSTRUCTIONS.

Installing or removing the battery cartridge 1222

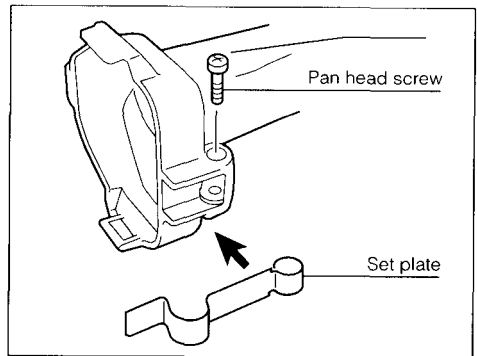
- Always switch off the tool before insertion or removal of the battery cartridge.
- To remove the battery cartridge, withdraw it from the tool while pressing the buttons on both sides of the cartridge.
- To insert the battery cartridge, align the tongue on the battery cartridge with the groove in the housing and slip it until it is locked with a little click.



- Do not use force when inserting the battery cartridge. If the cartridge does not slide in easily, it is not being inserted correctly.

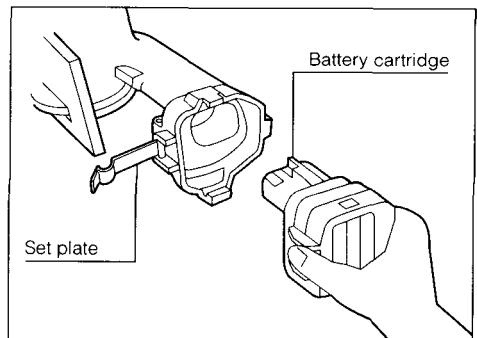
Installing the set plate

Always install the set plate when using battery cartridges 1200, 1201, 1201A, 1202 or 1202A. Install the set plate on the tool with the screw and nut provided as shown in the figure.



Installing or removing the battery cartridge 1200, 1201, 1201A, 1202 and 1202A.

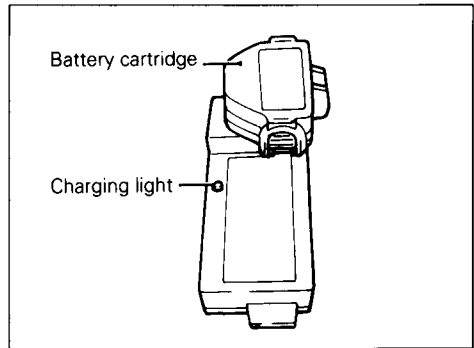
- Always switch off the tool before insertion or removal of the battery cartridge.
- To remove the battery cartridge, pull out the set plate on the tool and grasp both sides of the cartridge while withdrawing it from the tool.
- To insert the battery cartridge, align the tongue on the battery cartridge with the groove in the housing and slip it into place. Snap the set plate back into place. Be sure to close the set plate fully before using the tool.



- Do not use force when inserting the battery cartridge. If the cartridge does not slide in easily, it is not being inserted correctly.

Charging

- Your new battery cartridge is not charged. You will need to charge it before use. Use the high capacity battery charger Model DC1411 to charge the battery cartridge.
- Plug the high capacity battery charger into the proper A.C. voltage source. The charging light will flash in green color.
- Insert the battery cartridge so that the plus and minus terminals on the battery cartridge are on the same sides as their respective markings on the high capacity battery charger. Insert the cartridge fully into the port so that it rests on the charger port floor.
- When the battery cartridge is inserted, the charging light color will change from green to red and charging will begin. The charging light will remain lit steadily during charging.
- When the charging light color changes from red to green, the charging cycle is complete and the charger will switch into its "trickle charge (maintenance charge)" mode. The charging time is approximately one hour.
- After charging, unplug the charger from the power source.



CAUTION:

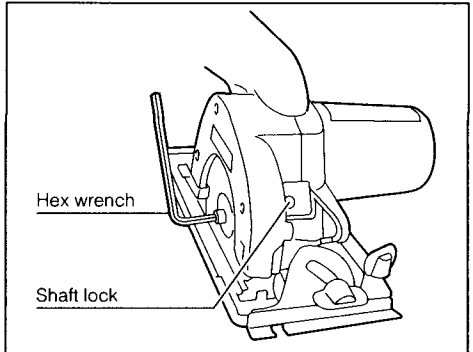
- The high capacity battery charger Model DC1411 is for charging Makita battery cartridge. Never use it for other purposes or for other manufacturer's batteries.
- When you charge a new battery cartridge or a battery cartridge which has not been used for a long period of time, it may not accept a full charge. This is normal condition and does not indicate a problem. You can recharge the battery cartridge fully after discharging it completely and recharging a couple of times.
- If you charge a battery cartridge from a just-operated tool or a battery cartridge which has been left in a location exposed to direct sunlight or heat for a long time, the charging light may flash in red color. If this occurs, wait for a while. Charging will begin after the battery cartridge cools. The battery cartridge will cool faster if you remove the battery cartridge from the high capacity battery charger.
- If the charging light flashes alternately in green and red color, a problem exists and charging is not possible. The terminals on the charger or battery cartridge are clogged with dust or the battery cartridge is worn out or damaged.
- If you wish to charge two battery cartridge, allow 15 minutes between charging on the High Capacity Battery Charger.

Removing or installing the saw blade

CAUTION:

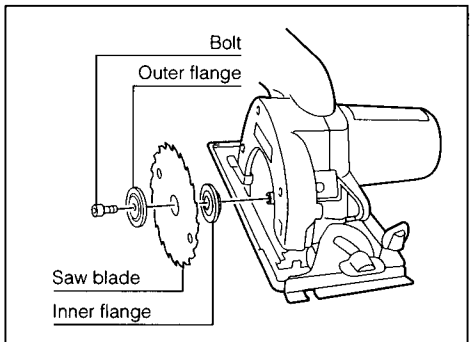
Always be sure that the tool is switched off and the battery cartridge is removed before installing or removing the blade.

To remove the blade, press the shaft lock so that the blade cannot revolve and use the hex wrench to loosen the bolt counter-clockwise. Then remove the bolt, outer flange and blade.



To install the blade, follow the removal procedure in reverse

BE SURE TO TIGHTEN THE BOLT SECURELY.

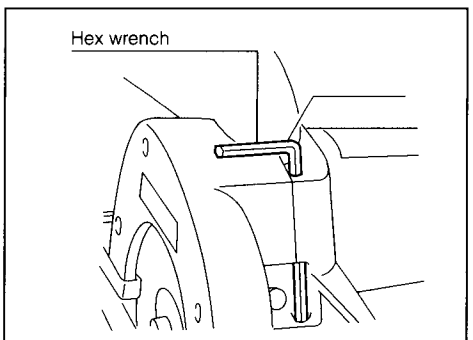


CAUTION:

- Be sure the blade is installed with teeth pointing up at the front of the tool.
- Use only the Makita hex wrench to install or remove the blade.

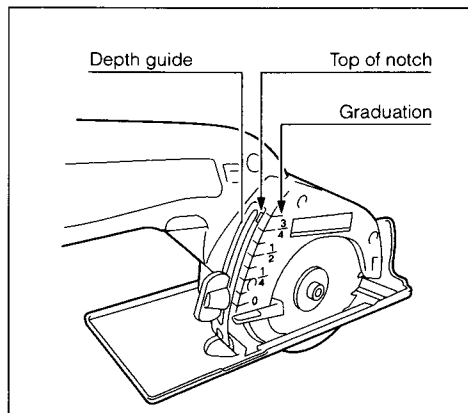
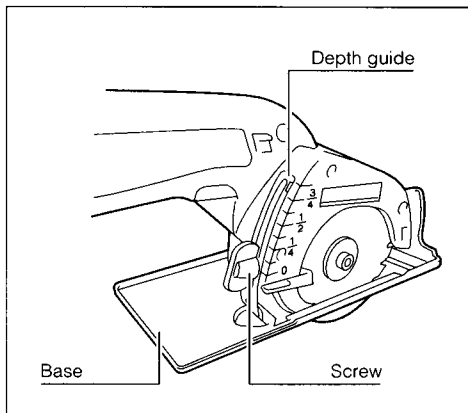
Hex wrench storage

When not in use, the hex wrench can be conveniently stored.



Adjusting the depth of cut

Loosen the screw on the depth guide and move the base up or down. You can read the depth of cut by aligning the top of the notch in the depth guide with the graduations on its right side. (Note: This can be done for 0° bevel cutting only.) At the desired depth of cut, secure the base by tightening the screw.

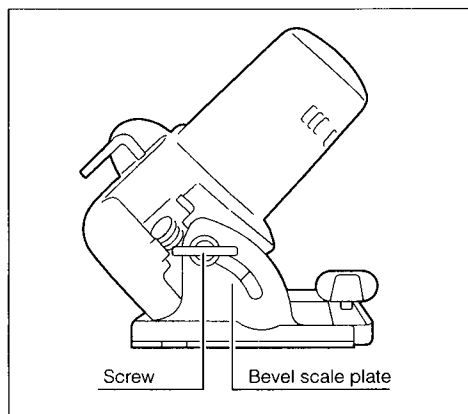


CAUTION:

- Use a shallow depth of cut when cutting thin workpiece for cleaner, safer cuts.
- After adjusting the depth of cut, always tighten the clamp screw securely.

Bevel cutting

Loosen the screw on the bevel scale plate on the front of the base. Set for the desired angle (0° — 45°) by tilting accordingly, then tighten the clamp screw securely.



CAUTION:

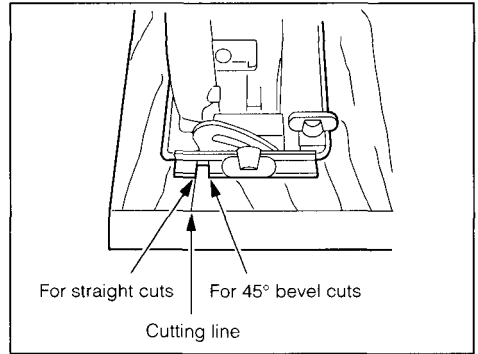
After adjusting the depth of cut and bevel cutting angle, be sure to tighten the screw.

Sighting

The front of the base is notched to provide two guide edges.

For straight cuts, align the edge with 0° engraved on it with your cutting line on the workpiece.

For 45° bevel cuts, align the edge with 45° engraved on it with your cutting line.



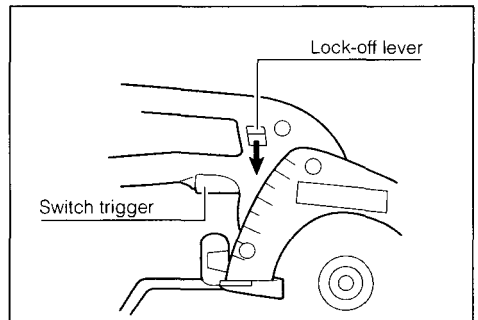
Switch action

CAUTION:

Before inserting the battery cartridge into the tool, always check to see that the switch trigger actuates properly and returns to the "OFF" position when released.

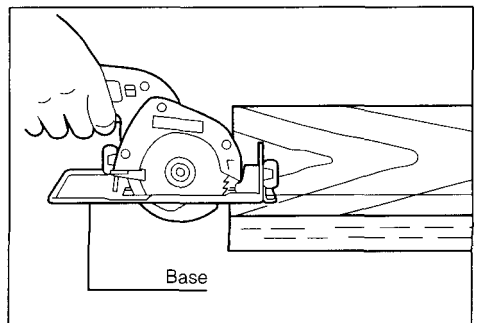
To prevent the trigger from being accidentally pulled, a lock-off lever is provided.

To start the tool, slide the lock-off lever in the direction of the arrow and pull the trigger. Release the trigger to stop.



Operation

Hold the tool firmly. Set the base plate on the workpiece to be cut without the blade making any contact. Then turn the tool on and wait until the blade attains full speed. Now simply move the tool forward over the workpiece surface, keeping it flat and advancing smoothly until the sawing is completed. To get clean cuts, keep your sawing line straight and your speed of advance uniform.

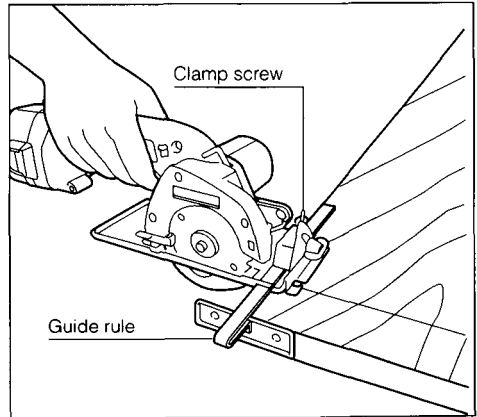


CAUTION:

- Always gently keep the tool moving straight ahead when cutting. Forcing or twisting the tool will result in overheating of the motor and dangerous kickback, possibly causing severe injury.
- If the tool is operated continuously until the battery cartridge has discharged, allow the tool to rest for 15 minutes before proceeding with a fresh battery.

Guide rule

The handy guide rule allows you to do extra-accurate straight cuts. Simply slide the guide rule up snugly against the side of the workpiece and secure it in position with the clamp screw on the front of the base. It also makes repeated cuts of uniform width possible.



MAINTENANCE

CAUTION:

Always be sure that the tool is switched off and the battery cartridge is removed before attempting to perform inspection or maintenance.

To maintain product SAFETY and RELIABILITY, repairs, maintenance or adjustment should be performed by Makita Authorized or Factory Service Centers, always using Makita replacement parts.

Trickle charge (Maintenance charge)

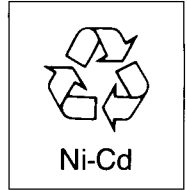
If you leave the battery cartridge in the charger to prevent spontaneous discharging after full charge, the charger will switch into its "trickle charge (maintenance charge)" mode and keep the battery cartridge fresh and fully charged.

Tips for maintaining maximum battery life

1. Charge the battery cartridge before completely discharged.
Always stop tool operation and charge the battery cartridge when you notice less tool power.
2. Never recharge a fully charged battery cartridge.
Overcharging shortens the battery service life.
3. Charge the battery cartridge with room temperature at 10°C – 40°C (50°F – 104°F).
Let a hot battery cartridge cool down before charging it.

Recycling the Battery

The only way to dispose of a Makita battery is to recycle it. The law prohibits any other method of disposal.



To recycle the battery:

1. Remove the battery from the tool.
2. a). Take the battery to your nearest Makita Factory Service Center
or
b). Take the battery to your nearest Makita Authorized Service Center or Distributor that has been designated as a Makita battery recycling location.
 - *Call your nearest Makita Service Center or Distributor to determine the location that provides Makita battery recycling. See your local Yellow Pages under "Tools-Electric".*

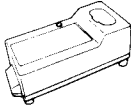
ACCESSORIES

CAUTION:

These accessories or attachments are recommended for use with your Makita tool specified in this manual. The use of any other accessories or attachments might present a risk of injury to persons. The accessories or attachments should be used only in the proper and intended manner.

- **High capacity battery charger
Model DC1411**

Part No. 192700-7



- **Battery cover**

Part No. 414938-7



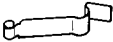
- **Hex wrench**

Part No. 783202-0



- **Set plate**

Part No. 343579-1



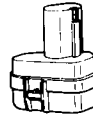
- **Battery cartridge 1200**

Part No. 192271-4

- **High capacity battery 1201, 1202**

Part No. 192296-8 (1201)

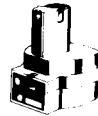
Part No. 192536-4 (1202)



- **Power display battery (High cap.)
1201A, 1202A**

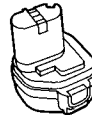
Part No. 192407-5 (1201A)

Part No. 192537-2 (1202A)



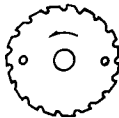
- **High capacity battery 1222**

Part No. 192598-2



- **Tungsten carbide tipped saw blade**

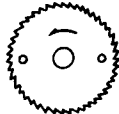
For wood



Part No.	Diameter (mm)	Hole diameter (mm)	No. teeth
792623-5	85 (3-3/8")	15 (19/32")	20

- **Combination saw blade**

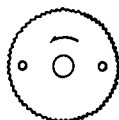
For rip and cross-cut work. Has fewer teeth than cross-cut blade for faster cutting.



Part No.	Diameter (mm)	Hole diameter (mm)	No. teeth
721003-8	85 (3-3/8")	15 (19/32")	50

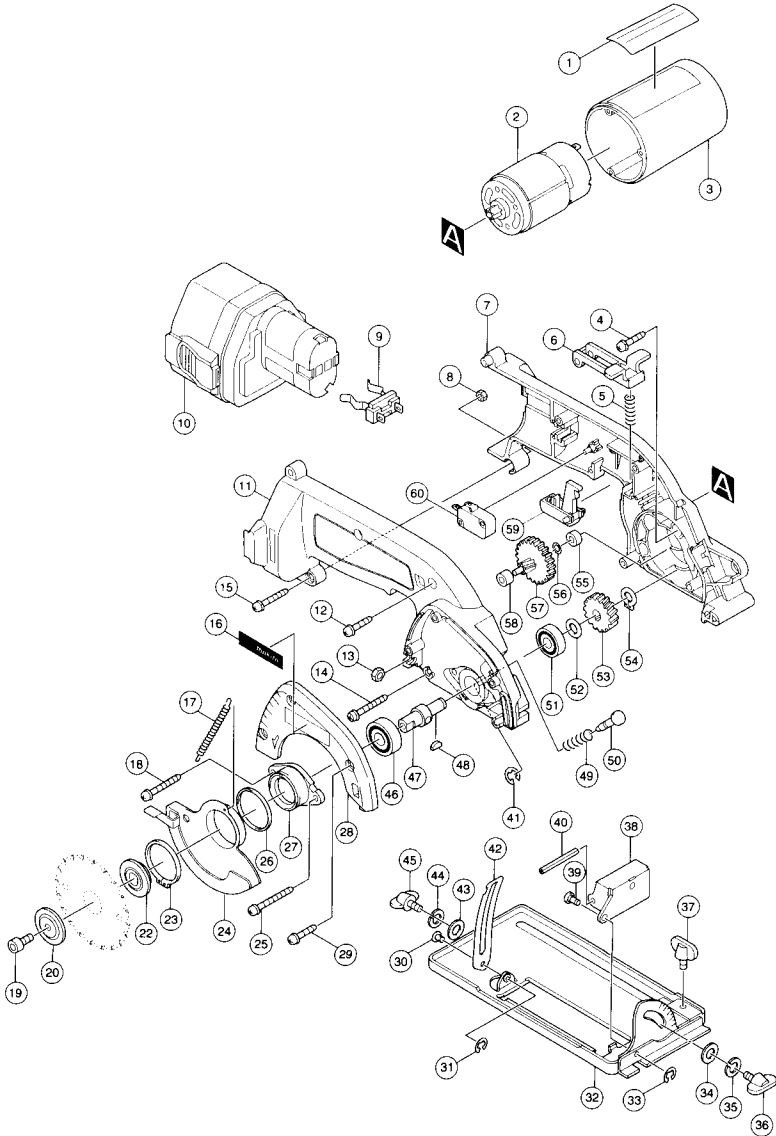
- **Plywood saw blade**

For smooth splinter-free cutting of plywood and other thin laminates.



Part No.	Diameter (mm)	Hole diameter (mm)	No. teeth
792299-8	85 (3-3/8")	15 (19/32")	50

85 mm (3-3/8") CORDLESS CIRCULAR SAW Model 5093D



Note: The switch and other part configurations may differ from country to country.

ITEM NO.	NO. USED	DESCRIPTION	ITEM NO.	NO. USED	DESCRIPTION
MACHINE			MACHINE		
1	1	Name Plate	32	1	Base
2	1	DC Motor	33	1	Retaining Ring E-3
3	1	Motor Housing	34	1	Flat Washer 5
4	3	Tapping Screw PT 4x18	35	1	Spring Washer 5
5	1	Compression Spring 4	36	1	Thumb Screw M5x10
6	1	Lock Off Lever	37	1	Thumb Screw M5x10
7	1	Housing Set (With Item 11)	38	1	Angular Guide
8	1	Hex. Nut M4	39	1	Pin 5
9	1	Battery Holder	40	1	Spring Pin 4-40
10	1	Battery	41	1	Retaining Ring E-4
11	1	Housing Set (With Item 7)	42	1	Depth Guide
12	3	Tapping Screw PT 4x18	43	1	Flat Washer 5
13	1	Hex. Nut M5	44	1	Spring Washer 5
14	1	Tapping Screw PT 4x30	45	1	Thumb Screw M5x10
15	1	Pan Head Screw M4x25	46	1	Ball Bearing 6000LB
16	1	Makita Label	47	1	Spindle
17	1	Compression Spring 7	48	1	Woodruff Key 3
18	1	Tapping Screw PT 4x20	49	1	Compression Spring 7
19	1	Hex. Socket Head Bolt M5x12	50	1	Pin 5
20	1	Outer Flange 28	51	1	Ball Bearing 608LB
22	1	Inner Flange 28	52	1	Flat Washer 8
23	1	Retaining Ring S - 28	53	1	Helical Gear 33
24	1	Safety Cover	54	1	Retaining Ring S-8
25	1	Tapping Screw PT 4x25	55	1	Plane Bearing 4
26	1	Flat Washer 30	56	1	Thin Washer 4
27	1	Bearing Box	57	1	Gear Complete 8-68
28	1	Blade Case	58	1	Plane Bearing 4
29	3	Tapping Screw PT 4x18	59	1	Switch Lever
30	1	Pin 4	60	1	Switch
31	1	Retaining Ring E 3			

Note: The switch and other part specifications may differ from country to country.

MAKITA LIMITED ONE YEAR WARRANTY

Warranty Policy

Every Makita tool is thoroughly inspected and tested before leaving the factory. It is warranted to be free of defects from workmanship and materials for the period of ONE YEAR from the date of original purchase. Should any trouble develop during this one-year period, return the COMPLETE tool, freight prepaid, to one of Makita's Factory or Authorized Service Centers. If inspection shows the trouble is caused by defective workmanship or material, Makita will repair (or at our option, replace) without charge.

This Warranty does not apply where:

- repairs have been made or attempted by others;
- repairs are required because of normal wear and tear;
- The tool has been abused, misused or improperly maintained;
- alterations have been made to the tool.

IN NO EVENT SHALL MAKITA BE LIABLE FOR ANY INDIRECT, INCIDENTAL OR CONSEQUENTIAL DAMAGES FROM THE SALE OR USE OF THE PRODUCT. THIS DISCLAIMER APPLIES BOTH DURING AND AFTER THE TERM OF THIS WARRANTY.

MAKITA DISCLAIMS LIABILITY FOR ANY IMPLIED WARRANTIES, INCLUDING IMPLIED WARRANTIES OF "MERCHANTABILITY" AND "FITNESS FOR A SPECIFIC PURPOSE," AFTER THE ONE-YEAR TERM OF THIS WARRANTY.

This Warranty gives you specific legal rights, and you may also have other rights which vary from state to state. Some states do not allow the exclusion or limitation of incidental or consequential damages, so the above limitation or exclusion may not apply to you. Some states do not allow limitation on how long an implied warranty lasts, so the above limitation may not apply to you.

Makita Corporation of America

2650 Buford Hwy., Buford, GA 30518

Free Manuals Download Website

<http://myh66.com>

<http://usermanuals.us>

<http://www.somanuals.com>

<http://www.4manuals.cc>

<http://www.manual-lib.com>

<http://www.404manual.com>

<http://www.luxmanual.com>

<http://aubethermostatmanual.com>

Golf course search by state

<http://golfingnear.com>

Email search by domain

<http://emailbydomain.com>

Auto manuals search

<http://auto.somanuals.com>

TV manuals search

<http://tv.somanuals.com>