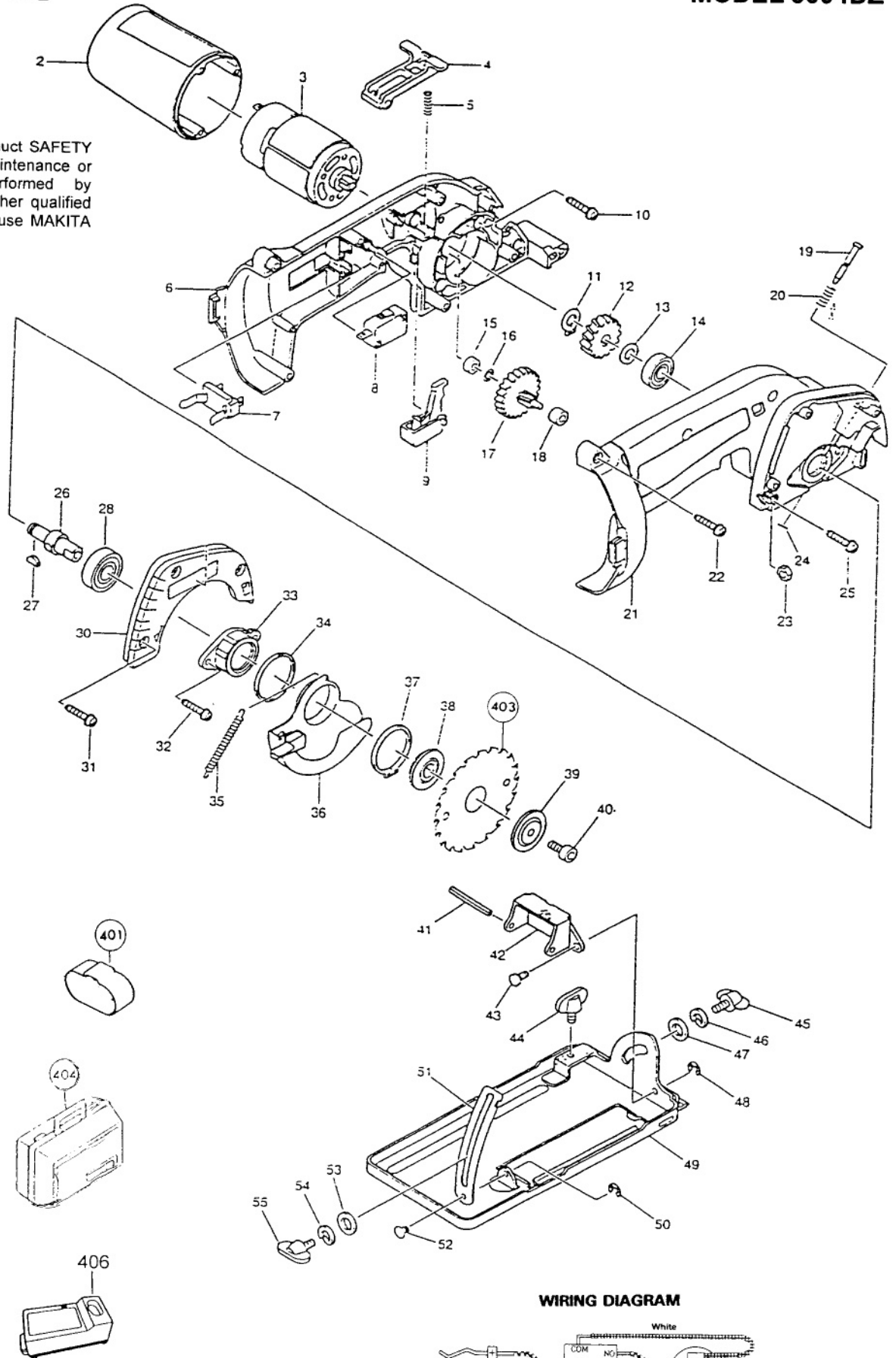




3-3/8" (85MM) CORDLESS CIRCULAR SAW

MODEL 5094D
MODEL 5094DWA
MODEL 5094DZ

IMPORTANT! – To assure product SAFETY and RELIABILITY, repairs, maintenance or adjustments should be performed by MAKITA Service Centers, or other qualified service organizations. Always use MAKITA replacement parts.



WIRING DIAGRAM

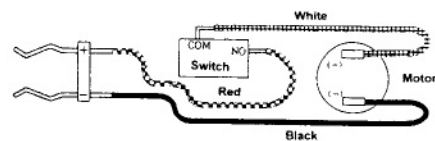


Fig.	Part No.	Qty. Used	Description	Fig.	Part No.	Qty. Used	Description
2	416142-4	1	MOTOR HOUSING	34	267134-4	1	FLAT WASHER 30
3	629737-6	1	DC MOTOR (Incl. 1 ea. Spur Gear 15, 221882-9)	35	231802-5	1	TENSION SPRING
4	415680-3	1	LOCK OFF LEVER	36	165116-9	1	SAFETY COVER
5	233024-3	1	COMPRESSION SPRING 4	37	961128-8	1	RETAINING RING S-28
6	183102-8	1	HOUSING SET (Incl. Fig. 21)	38	224324-2	1	INNER FLANGE 28
7	643909-9	1	BATTERY HOLDER	39	224177-9	1	OUTER FLANGE 28
8	651891-8	1	SWITCH V-15-3A6 SINGLE	40	922212-4	1	H. S. HEAD BOLT M5X12
9	415679-8	1	SWITCH LEVER	41	951134-1	1	SPRING PIN 4-45
10	265995-6	3	TAPPING SCREW 4X18	42	344594-8	1	ANGULAR GUIDE
11	961004-6	1	RETAINING RING S-8	43	268028-6	1	PIN 5
12	226448-0	1	HELICAL GEAR 33	44	251899-8	1	SCREW M5X10
13	253215-0	1	FLAT WASHER 8	45	251899-8	1	SCREW M5X10
14	211033-2	1	BALL BEARING 608LB	46	942101-7	1	SPRING WASHER 5
15	214019-5	1	PLANE BEARING 4	47	941101-4	1	FLAT WASHER 5
16	253307-5	1	THIN WASHER 4	48	961017-7	1	STOP RING E-3
17	226819-1	1	GEAR COMPLETE 8-68	49	168317-8	1	BASE
18	214027-6	1	PLANE BEARING 4	50	961017-7	1	STOP RING E-3
19	268002-4	1	PIN 5	51	344592-2	1	DEPTH GUIDE
20	231240-1	1	COMPRESSION SPRING 7	52	268004-0	1	PIN 4
21	183102-8	1	HOUSING SET (INCL. FIG. 6)	53	941101-4	1	FLAT WASHER 5
22	265995-6	4	TAPPING SCREW 4X18	54	942101-7	1	SPRING WASHER 5
23	931202-6	1	HEX. NUT M5	55	251899-8	1	SCREW M5X10
24	961011-9	1	STOP RING E-4	<u>ACCESSORIES</u>			
25	265995-6	1	TAPPING SCREW 4X18	400	783202-0	1	HEX. WRENCH 4
26	322810-8	1	SPINDLE	401	414938-7	1	BATTERY COVER
27	254031-3	1	WOODRUFF KEY 3	402	164095-8	1	GUIDE RULE
28	211061-7	1	BALL BEARING 6000LLB	403	792611-2	1	T.C.T. SAW BLADE 85
30	415678-0	1	BLADE CASE	404	824532-1	1	PLASTIC CARRYING CASE
31	265995-6	3	TAPPING SCREW 4X18	405	192600-1	1	HIGHCAPACITY BATTERY 1422 14.4VDC (2.0AH)
32	265995-6	2	TAPPING SCREW 4X18	406	DC1411	1	FAST CHARGER DC1411
33	415677-2	1	BEARING BOX				

2 MODEL 5094D/DWA/DZ

06-99

Free Manuals Download Website

<http://myh66.com>

<http://usermanuals.us>

<http://www.somanuals.com>

<http://www.4manuals.cc>

<http://www.manual-lib.com>

<http://www.404manual.com>

<http://www.luxmanual.com>

<http://aubethermostatmanual.com>

Golf course search by state

<http://golfingnear.com>

Email search by domain

<http://emailbydomain.com>

Auto manuals search

<http://auto.somanuals.com>

TV manuals search

<http://tv.somanuals.com>