

Makita

AMERICA

Cordless Recipro Saw

Equipped with Electric Brake

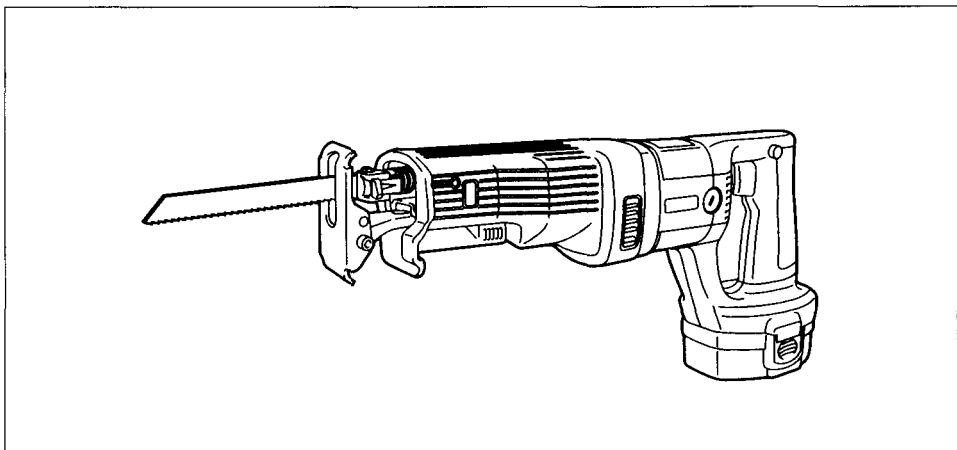
MODEL JR180DWA, JR180DWAE

With High capacity Battery charger

MODEL JR180DWB, JR180DWBE

With High capacity Battery charger

INSTRUCTION MANUAL



SPECIFICATIONS

• Model JR180DA

Length of stroke	Strokes per minute	Overall length	Net weight
23 mm (7/8")	0 - 2,700	447 mm (17-5/8")	3.5 kg (7.7 lbs)

• Battery Cartridge 1822

• Model DC1801 High Capacity Battery Charger

Voltage	Input	Output	Charging time
18 V	A.C. only 50 Hz - 60 Hz	D.C. 7.2 V - 18 V	60 min.

• Battery Cartridge 1833

• Model DC1801 High Capacity Battery Charger

Voltage	Input	Output	Charging time
18 V	A.C. only 50 Hz - 60 Hz	D.C. 7.2 V - 18 V	65 min.

* Manufacturer reserves the right to change specifications without notice.

* Note: Specifications may differ from country to country.

WARNING: For your personal safety, READ and UNDERSTAND before using.

SAVE THESE INSTRUCTIONS FOR FUTURE REFERENCE.

GENERAL SAFETY RULES

(For All Battery Operated Tools)

WARNING! Read and understand all instructions. Failure to follow all instructions listed below, may result in electric shock, fire and/or serious personal injury.

SAVE THESE INSTRUCTIONS

Work Area

- **Keep your work area clean and well lit.** Cluttered benches and dark areas invite accidents.
- **Do not operate power tools in explosive atmospheres, such as in the presence of flammable liquids, gases, or dust.** Power tools create sparks which may ignite the dust or fumes.
- **Keep bystanders, children, and visitors away while operating a power tool.** Distractions can cause you to lose control.

Electrical Safety

- **A battery operated tool with integral batteries or a separate battery pack must be recharged only with the specified charger for the battery.** A charger that may be suitable for one type of battery may create a risk of fire when used with another battery.
- **Use battery operated tool only with specifically designated battery pack.** Use of any other batteries may create a risk of fire.

Personal Safety

- **Stay alert, watch what you are doing, and use common sense when operating a power tool. Do not use tool while tired or under the influence of drugs, alcohol, or medication.** A moment of inattention while operating power tools may result in serious personal injury.
- **Dress properly. Do not wear loose clothing or jewelry. Contain long hair. Keep your hair, clothing, and gloves away from moving parts.** Loose clothes, jewelry, or long hair can be caught in moving parts.
- **Avoid accidental starting. Be sure switch is in the locked or off position before inserting battery pack.** Carrying tools with your finger on the switch or inserting the battery pack into a tool with the switch on invites accidents.
- **Remove adjusting keys or wrenches before turning the tool on.** A wrench or a key that is left attached to a rotating part of the tool may result in personal injury.
- **Do not overreach. Keep proper footing and balance at all times.** Proper footing and balance enable better control of the tool in unexpected situations.
- **Use safety equipment. Always wear eye protection.** Dust mask, non-skid safety shoes, hard hat, or hearing protection must be used for appropriate conditions.

Tool Use and Care

- **Use clamps or other practical way to secure and support the workpiece to a stable platform.** Holding the work by hand or against your body is unstable and may lead to loss of control.
- **Do not force tool. Use the correct tool for your application.** The correct tool will do the job better and safer at the rate for which it is designed.
- **Do not use tool if switch does not turn it on or off.** A tool that cannot be controlled with the switch is dangerous and must be repaired.
- **Disconnect battery pack from tool or place the switch in the locked or off position before making any adjustments, changing accessories, or storing the tool.** Such preventive safety measures reduce the risk of starting the tool accidentally.
- **Store idle tools out of reach of children and other untrained persons.** Tools are dangerous in the hands of untrained users.
- **When battery pack is not in use, keep it away from other metal objects like: paper clips, coins, keys, nails, screws, or other small metal objects that can make a connection from one terminal to another.** Shorting the battery terminals together may cause sparks, burns, or a fire.
- **Maintain tools with care. Keep cutting tools sharp and clean.** Properly maintained tools with sharp cutting edge are less likely to bind and are easier to control.
- **Check for misalignment or binding of moving parts, breakage of parts, and any other condition that may affect the tool's operation. If damaged, have the tool serviced before using.** Many accidents are caused by poorly maintained tools.
- **Use only accessories that are recommended by the manufacturer for your model.** Accessories that may be suitable for one tool may create a risk of injury when used on another tool.

Service

- **Tool service must be performed only by qualified repair personnel.** Service or maintenance performed by unqualified personnel may result in a risk of injury.
- **When servicing a tool, use only identical replacement parts. Follow instructions in the Maintenance section of this manual.** Use of unauthorized parts or failure to follow Maintenance Instructions may create a risk of shock or injury.

Specific Safety Rules

- 1. Hold tool by insulated gripping surfaces when performing an operation where the cutting tool may contact hidden wiring.** Contact with a "live" wire will make exposed metal parts of the tool "live" and shock the operator.
- 2. Be aware that this tool is always in an operating condition, because it does not have to be plugged into an electrical outlet.**
- 3. Avoid cutting nails. Inspect workpiece for any nails and remove them before operation.**
- 4. Do not cut oversize workpiece.**
- 5. Check for the proper clearance beyond the workpiece before cutting so that the blade will not strike the floor, workbench, etc.**
- 6. Hold the tool firmly.**
- 7. Make sure the blade is not contacting the workpiece before the switch is turned on.**
- 8. Keep hands away from moving parts.**
- 9. Always switch off and wait for the blade to come to a complete stop before removing the blade from the workpiece.**
- 10. Do not touch the blade or the workpiece immediately after operation; they may be extremely hot and could burn your skin.**

SAVE THESE INSTRUCTIONS.

SYMBOLS

The followings show the symbols used for tool.

V volts

==== direct current

n_0 no load speed

.../min revolutions or reciprocation per minute

IMPORTANT SAFETY INSTRUCTIONS FOR CHARGER & BATTERY CARTRIDGE

1. **SAVE THESE INSTRUCTIONS** – This manual contains important safety and operating instructions for battery charger.
2. Before using battery charger, read all instructions and cautionary markings on (1) battery charger, (2) battery, and (3) product using battery.
3. **CAUTION** – To reduce risk of injury, charge only MAKITA Battery Cartridge 7000, 7001, 7002, 7033, 7100, 7120, 9000, 9001, 9002, 9033, 9100, 9101, 9102, 9120, 9122, 9133, 1200, 1201, 1202, 1210, 1211, 1220, 1222, 1233, 1422, 1433, 1822, 1833, 9101A, 9102A, 1201A or 1202A. Other types of batteries may burst causing personal injury and damage.
4. Do not expose charger to rain or snow.
5. Use of an attachment not recommended or sold by the battery charger manufacturer may result in a risk of fire, electric shock, or injury to persons.
6. To reduce risk of damage to electric plug and cord, pull by plug rather than cord when disconnecting charger.
7. Make sure cord is located so that it will not be stepped on, tripped over, or otherwise subjected to damage or stress.
8. An extension cord should not be used unless absolutely necessary. Use of improper extension cord could result in a risk of fire and electric shock. If extension cord must be used, make sure:
 - a. That pins on plug of extension cord are the same number, size, and shape as those of plug on charger;
 - b. That extension cord is properly wired and in good electrical condition; and
 - c. That wire size is at least as large as the one specified in the table below.

**TABLE 1
RECOMMENDED MINIMUM AWG SIZE FOR
EXTENSION CORDS FOR BATTERY CHARGERS**

Length of Cord (Feet)	25	50	100	150
AWG Size of Cord	18	18	18	16

9. Do not operate charger with damaged cord or plug – replace them immediately.
10. Do not operate charger if it has received a sharp blow, been dropped, or otherwise damaged in any way; take it to a qualified serviceman.
11. Do not disassemble charger or battery cartridge; take it to a qualified serviceman when service or repair is required. Incorrect reassembly may result in a risk of electric shock or fire.
12. To reduce risk of electric shock, unplug charger from outlet before attempting any maintenance or cleaning. Turning off controls will not reduce this risk.

ADDITIONAL SAFETY RULES FOR CHARGER & BATTERY CARTRIDGE

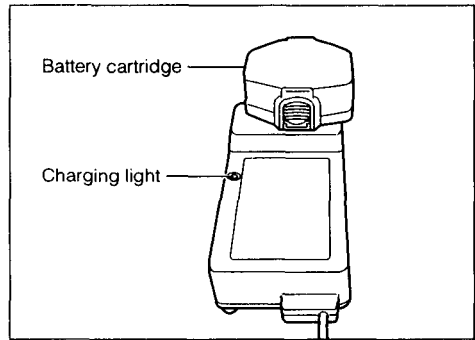
1. Do not charge Battery Cartridge when temperature is BELOW 10°C (50°F) or ABOVE 40°C (104°F).
2. Do not attempt to use a step-up transformer, an engine generator or DC power receptacle.
3. Do not allow anything to cover or clog the charger vents.
4. Always cover the battery terminals with the battery cover when the battery cartridge is not used.
5. A battery short can cause a large current flow, overheating, possible burns and even a breakdown.
 - (1) Do not touch the terminals with any conductive material.
 - (2) Avoid storing battery cartridge in a container with other metal objects such as nails, coins, etc.
 - (3) Do not expose battery cartridge to water or rain.
6. Do not store the tool and Battery Cartridge in locations where the temperature may reach or exceed 50°C (122°F).
7. Do not incinerate the Battery Cartridge even if it is severely damaged or is completely worn out. The battery cartridge can explode in a fire.

SAVE THESE INSTRUCTIONS.

FUNCTIONAL DESCRIPTION

Charging

- Your new battery cartridge is not charged. You will need to charge it before use. Use the high capacity battery charger Model DC1801 to charge the battery cartridge.
- Plug the high capacity battery charger into the proper A.C. voltage source. The charging light will flash in green color.
- Insert the battery cartridge so that the plus and minus terminals on the battery cartridge are on the same sides as their respective markings on the high capacity battery charger. Insert the cartridge fully into the port so that it rests on the charger port floor.
- When the battery cartridge is inserted, the charging light color will change from green to red and charging will begin. The charging light will remain lit steadily during charging.
- When the charging light color changes from red to green, the charging cycle is complete. The charging time is approximately one hour.
- If you leave the battery cartridge in the charger after the charging cycle is complete, the charger will switch into its "trickle charge (maintenance charge)" mode which will last approximately 24 hours.
- After charging, unplug the charger from the power source.



CAUTION:

- The high capacity battery charger Model DC1801 is for charging Makita battery cartridge. Never use it for other purposes or for other manufacturer's batteries.
- When you charge a new battery cartridge or a battery cartridge which has not been used for a long period of time, it may not accept a full charge. This is a normal condition and does not indicate a problem. You can recharge the battery cartridge fully after discharging it completely and recharging a couple of times.
- If you charge a battery cartridge from a just-operated tool or a battery cartridge which has been left in a location exposed to direct sunlight or heat for a long time, the charging light may flash in red color. If this occurs, wait for a while. Charging will begin after the battery cartridge cools. The battery cartridge will cool faster if you remove the battery cartridge from the high capacity battery charger.
- If the charging light flashes alternately in green and red color, a problem exists and charging is not possible. The terminals on the charger or battery cartridge are clogged with dust or the battery cartridge is worn out or damaged.

Trickle charge (Maintenance charge)

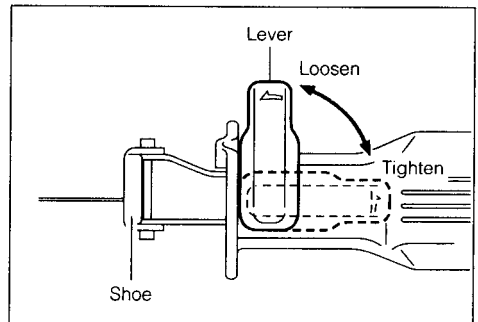
If you leave the battery cartridge in the charger to prevent spontaneous discharging after full charge, the charger will switch into its "trickle charge (maintenance charge)" mode and keep the battery cartridge fresh and fully charged.

Tips for maintaining maximum battery life

1. Charge the battery cartridge before completely discharged.
Always stop tool operation and charge the battery cartridge when you notice less tool power.
2. Never recharge a fully charged battery cartridge.
Overcharging shortens the battery service life.
3. Charge the battery cartridge with room temperature at 10°C – 40°C (50°F – 104°F).
Let a hot battery cartridge cool down before charging it.

Adjusting shoe

When the blade loses its cutting efficiency in one place along its cutting edge, reposition the shoe to utilize a sharp, unused portion of its cutting edge. This will help to lengthen the life of the blade. To reposition the shoe, loosen the lever and slide the shoe forward or back to the desired position. Then tighten the lever to firmly secure the shoe.



Switch action

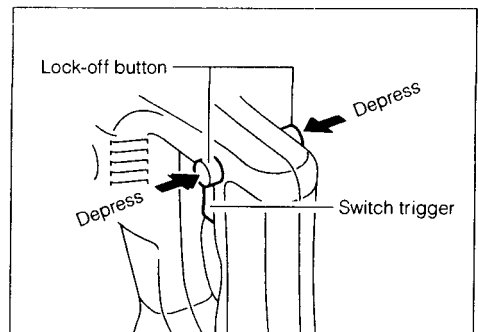
CAUTION:

Before inserting the battery cartridge into the tool, always check to see that the switch trigger actuates properly and returns to the "OFF" position when released.

To prevent the switch trigger from being accidentally pulled, a lock-off button is provided.

To start the tool, depress the lock-off button (from right side or left side) and pull the switch trigger.

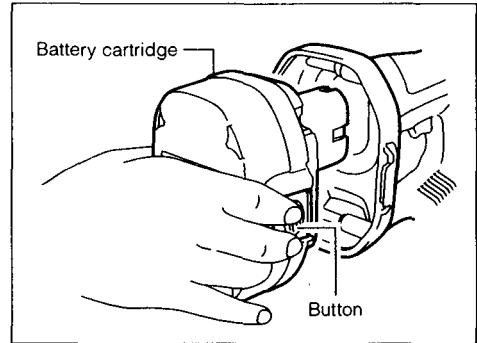
Tool speed is increased by increasing pressure on the switch trigger. Release the switch trigger to stop.



ASSEMBLY

Installing or removing the battery cartridge 1822 and 1833

- Always switch off the tool before insertion or removal of the battery cartridge.
- To remove the battery cartridge, withdraw it from the tool while pressing the buttons on both sides of the cartridge.
- To insert the battery cartridge, align the tongue on the battery cartridge with the groove in the housing and slip it until it is locked with a little click.
- Do not use force when inserting the battery cartridge. If the cartridge does not slide in easily, it is not being inserted correctly.



Installing or removing the saw blade

CAUTION:

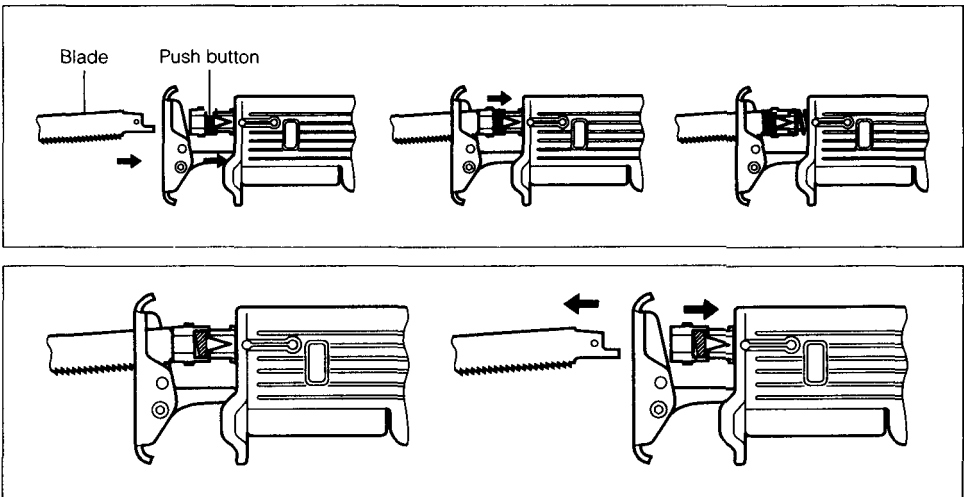
- Always be sure that the tool is switched off and the battery cartridge is removed before installing or removing the blade.
- Always clean out all chips or foreign matter adhering to the blade, blade clamp and/or slider. Failure to do so may cause insufficient tightening of the blade, resulting in a serious injury.

To install the blade, push the push button in the direction of the arrow and insert the blade between the blade clamp and the slider as far as it will go. Then release the push button and make sure that the blade cannot be extracted even though you try to pull it out.

CAUTION:

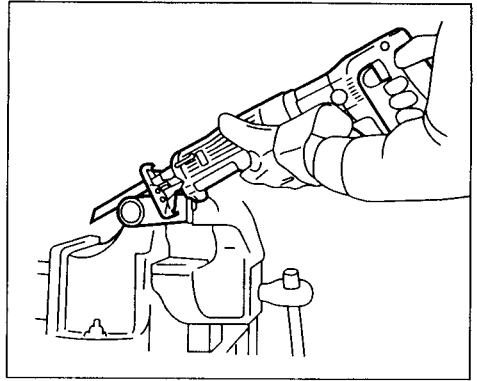
If you release the push button without inserting the blade deep enough, the blade may be ejected unexpectedly during operation. This can be extremely dangerous.

To remove the blade, push the push button in the direction of the arrow and pull out the blade.



OPERATION

Press the shoe firmly against the workpiece. Do not allow the tool to bounce. Bring the blade into light contact with the workpiece. First, make a pilot groove, using a slower speed. Then use a faster speed to continue cutting.



- If the tool is operated continuously until the battery cartridge has discharged, allow the tool to rest for 15 minutes before proceeding with a fresh battery.

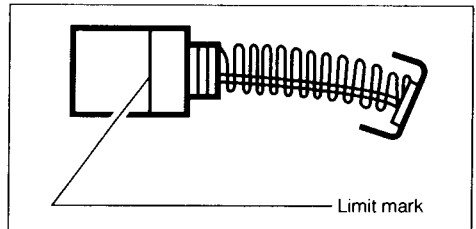
MAINTENANCE

CAUTION:

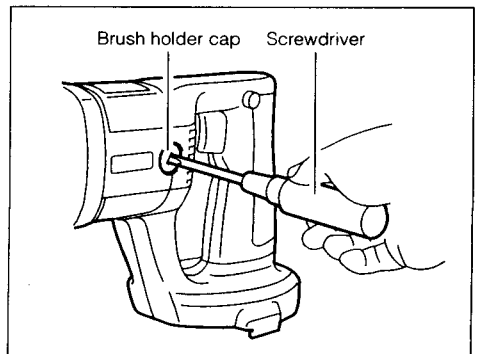
Always be sure that the tool is switched off and the battery cartridge is removed before attempting to perform inspection or maintenance.

Replacing carbon brushes

Remove and check the carbon brushes regularly. Replace when they wear down to the limit mark. Keep the carbon brushes clean and free to slip in the holders. Both carbon brushes should be replaced at the same time. Use only identical carbon brushes.



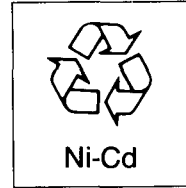
Use a screwdriver to remove the brush holder caps. Take out the worn carbon brushes, insert the new ones and secure the brush holder caps.



To maintain product SAFETY and RELIABILITY, repairs, any other maintenance or adjustment should be performed by Makita Authorized or Factory Service Centers, always using Makita replacement parts.

Recycling the Battery

The only way to dispose of a Makita battery is to recycle it. The law prohibits any other method of disposal.



To recycle the battery:

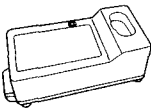
1. Remove the battery from the tool.
2. a). Take the battery to your nearest Makita Factory Service Center
or
b). Take the battery to your nearest Makita Authorized Service Center or Distributor that has been designated as a Makita battery recycling location.
 - *Call your nearest Makita Service Center or Distributor to determine the location that provides Makita battery recycling. See your local Yellow Pages under "Tools-Electric".*

ACCESSORIES

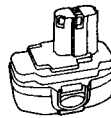
CAUTION:

These accessories or attachments are recommended for use with your Makita tool specified in this manual. The use of any other accessories or attachments might present a risk of injury to persons. These accessories or attachments should be used only in the proper and intended manner.

- **High capacity battery charger**
Model DC1801



- **Battery cartridge 1822**
Part No. 192827-3
- **Battery cartridge 1833**
Part No. 192829-9



- **Battery cover**
Part No. 414938-7

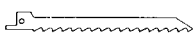
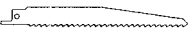
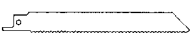
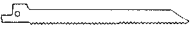


ACCESSORIES

CAUTION:

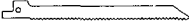
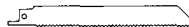
These accessories or attachments are recommended for use with your Makita tool specified in this manual. The use of any other accessories or attachments might present a risk of injury to persons. These accessories or attachments should be used only in the proper and intended manner.

NOTE: The accessories listed in this manual are available at the extra cost from your Makita distributor or Makita Factory Service Center. Service Centers are listed on the warranty card packed with your tool.

Saw Blades	Part #	Q'ty Per Pkg	Teeth Per Inch	Overall Length	Tooth Specifications	Application
Wood Cutting Blades  	723018-A-5 723018-A-2	5 2	6 6	6" 6"	High Carbon Steel Fleam Ground (0.049")	Cuts nail free wood - rough in work.
	723018-B-5 723018-B-1	5 1	6 6	12' 12"	High Carbon Steel Fleam Ground (0.049")	Cuts nail free wood - rough in work.
	723018-C-5	5	6	6"	High Alloy Steel Milled (0.031")	Cuts composition materials - resists nail damage.
	723018-D-5 723018-D-2	5 2	10 10	6" 6"	High Alloy Steel Milled (0.031")	Cuts composition & plywood - resists nail damage.
	723018-E-5	5	6	6"	High Carbon Steel Fleam Ground (0.049")	Cuts circles and contours in nail free wood, compositions.
	723018-P-5	5	6	6"	High Alloy Steel M/V Alternate (0.041")	Cuts plaster, metal lath, plasterboard
Wood Cutting Blades For rapid cutting of metal and fiberglass. Made of high speed steel.  	723019-G-5 723019-G-2	5 2	14 14	4" 4"	High Speed Steel Milled/Raker Set (0.031")	For cutting metal over 1/8" thick.
	723019-A-5 723019-A-2	5 2	14 14	6" 6"	High Speed Steel Milled/Raker Set (0.031")	For cutting metal over 1/8" thick.
	723019-B-5 723019-B-2	5 2	18 18	4" 4"	High Speed Steel Milled/Raker Set (0.031")	For cutting metal over 3/64" thick.
	723019-H-5	5	18	4"	High Speed Steel Milded/Wavy Set (0.049")	For scroll cuts in metal 3/64" thick and over.
	723019-C-5 723019-C-2	5 2	18 18	6" 6"	High Speed Steel Milled/Raker Set (0.031")	For cutting metal over 3/64" thick.
	723019-K-5 723019-K-2	5 2	24 24	4" 4"	High Speed Steel Milled/Wavy Set (0.031")	For cutting metal less than 3/64" thick.
	723019-D-5 723019-D-2	5 2	24 24	6" 6"	High Speed Steel Milled/Wavy Set (0.031")	For cutting metal less than 3/64" thick.
	723019-J-5	5	36	4"	High Speed Steel Milled/Wavy Set (0.031")	For cutting metal less than 1/32" thick.

Note: All illustrations shown are general representations for blades in the category. Actual design of blades may vary slightly.

ACCESSORIES *continued*—

Saw Blades	Part #	Q'ty Per Pkg	Teeth Per Inch	Overall Length	Tooth Specifications	Application
Bi-metal Blades Combination of high speed steel teeth welded to a shatter-proof, flexible backed blade. Ultra-long life blade.  	723017-E-5 723017-E-2	5 2	6 6	6" 6"	Bi-metal Milled (0.050")	Cuts nail embedded wood – roughing in work.
	723017-F-5	5	6	12"	Bi-metal milled (0.050")	Cuts nail embedded wood – roughing in work.
	723017-A-5 723017-A-2	5 2	10 10	6" 6"	Bi-metal Milled (0.031")	Cuts nail embedded wood – nonferropus metals.
	723017-G-5	5	14	4"	Bi-metal Milled (0.031")	Cuts metal 1/8" thick and over.
	723017-B-5 723017-B-2	5 2	14 14	6" 6"	Bi-metal Milled (0.031")	Cuts metal 1/8" thick and over.
	723017-H-5 723017-H-2	5 2	18 18	4" 4"	Bi-metal Milled (0.031")	Cuts metal 3/64" thick and over.
	723017-C-5 723017-C-2	5 2	18 18	6" 6"	Bi-metal Milled (0.031")	Cuts metal 3/64" thick and over.
	723017-K-5	5	18	3-1/2"	Bi-metal Milled (0.031")	Scroll cuts in metals over 3/64" thick, fiber glass, compositions.
	723017-J-5 723017-J-2	5 2	24 24	4" 4"	Bi-metal Milled (0.031")	Cuts metal less than 3/64" thick.
	723017-D-5 723017-D-2	5 2	24 24	6" 6"	Bi-metal Milled (0.031")	Cuts metal less than 3/64" thick.

3 Piece Variety Pack

Wood and Metal Cutting
 includes 1 each: 723018-A
 723018-D
 723019-C

This pack is available under
 Part No. 723016-3-A

3 Piece Variety Pack

Ultra Long Life Bi-metal
 includes 1 each: 723017-E
 723017-B
 723017-C

This pack is available under
 Part No. 723016-3-B

• Plastic Tool Case

Part No. 824037-1

Accommodated tool with 6" blade.

MAKITA LIMITED ONE YEAR WARRANTY

Warranty Policy

Every Makita tool is thoroughly inspected and tested before leaving the factory. It is warranted to be free of defects from workmanship and materials for the period of ONE YEAR from the date of original purchase. Should any trouble develop during this one-year period, return the COMPLETE tool, freight prepaid, to one of Makita's Factory or Authorized Service Centers. If inspection shows the trouble is caused by defective workmanship or material, Makita will repair (or at our option, replace) without charge.

This Warranty does not apply where:

- repairs have been made or attempted by others;
- repairs are required because of normal wear and tear;
- The tool has been abused, misused or improperly maintained;
- alterations have been made to the tool.

IN NO EVENT SHALL MAKITA BE LIABLE FOR ANY INDIRECT, INCIDENTAL OR CONSEQUENTIAL DAMAGES FROM THE SALE OR USE OF THE PRODUCT. THIS DISCLAIMER APPLIES BOTH DURING AND AFTER THE TERM OF THIS WARRANTY.

MAKITA DISCLAIMS LIABILITY FOR ANY IMPLIED WARRANTIES, INCLUDING IMPLIED WARRANTIES OF "MERCHANTABILITY" AND "FITNESS FOR A SPECIFIC PURPOSE," AFTER THE ONE-YEAR TERM OF THIS WARRANTY.

This Warranty gives you specific legal rights, and you may also have other rights which vary from state to state. Some states do not allow the exclusion or limitation of incidental or consequential damages, so the above limitation or exclusion may not apply to you. Some states do not allow limitation on how long an implied warranty lasts, so the above limitation may not apply to you.

Makita Corporation of America
2650 Buford Hwy., Buford, GA 30518

884245 — 068

PRINTED IN USA

Free Manuals Download Website

<http://myh66.com>

<http://usermanuals.us>

<http://www.somanuals.com>

<http://www.4manuals.cc>

<http://www.manual-lib.com>

<http://www.404manual.com>

<http://www.luxmanual.com>

<http://aubethermostatmanual.com>

Golf course search by state

<http://golfingnear.com>

Email search by domain

<http://emailbydomain.com>

Auto manuals search

<http://auto.somanuals.com>

TV manuals search

<http://tv.somanuals.com>