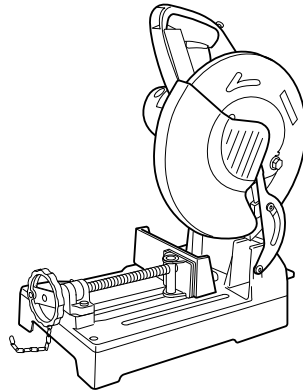




INSTRUCTION MANUAL
MANUEL D'INSTRUCTION
MANUAL DE INSTRUCCIONES

Metal Cutting Saw Meule à couper le métal Sierra Tronzadora

LC1230



003770



DOUBLE INSULATION
DOUBLE ISOLATION
DOBLE AISLAMIENTO

⚠WARNING:

For your personal safety, READ and UNDERSTAND before using.
SAVE THESE INSTRUCTIONS FOR FUTURE REFERENCE.

⚠AVERTISSEMENT:

Pour votre propre sécurité, prière de lire attentivement avant l'utilisation.
GARDER CES INSTRUCTIONS POUR RÉFÉRENCE ULTÉRIEURE.

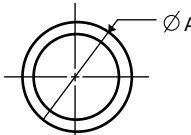
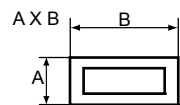
⚠ADVERTENCIA:

Para su seguridad personal, LEA DETENIDAMENTE este manual antes de usar la herramienta.

GUARDE ESTAS INSTRUCCIONES PARA FUTURA REFERENCIA.

ENGLISH

SPECIFICATIONS

Model		LC1230	
Blade diameter		305 mm (12")	
Hole (arbor) diameter		25.4 mm (1")	
No load speed (RPM)		1,300 /min.	
Dimensions (L x W x H)		516 mm x 306 mm x 603 mm (20-1/3" x 12" x 23-5/8")	
Net weight		19.0kg (41.8 lbs)	
Cutting capacity			
Workpiece shape			
Cutting angle	90°	115mm (4-1/2")	75 mm x 150 mm (2-15/16" x 5-7/8") 100 mm x 100 mm (3-15/16" x 3-15/16")
	45°	90mm (3-1/2")	85 mm x 85mm (3-5/16" x 3-5/16")

• Due to our continuing programme of research and development, the specifications herein are subject to change without notice.

• Note: Specifications may differ from country to country.

USA007-2

For Your Own Safety Read Instruction Manual

Before Operating Tool

Save it for future reference

GENERAL SAFETY PRECAUTIONS

(For All Tools)

- KNOW YOUR POWER TOOL.** Read the owner's manual carefully. Learn the tool's applications and limitations, as well as the specific potential hazards peculiar to it.
- KEEP GUARDS IN PLACE** and in working order.
- REMOVE ADJUSTING KEYS AND WRENCHES.** Form habit of checking to see that keys and adjusting wrenches are removed from tool before turning it on.
- KEEP WORK AREA CLEAN.** Cluttered areas and benches invite accidents.
- DO NOT USE IN DANGEROUS ENVIRONMENT.** Do not use power tools in damp or wet locations, or expose them to rain. Keep work area well lighted. Do not use tool in presence of flammable liquids or gases.
- KEEP CHILDREN AWAY.** All visitors should be kept safe distance from work area.
- MAKE WORKSHOP KID PROOF** with padlocks, master switches, or by removing starter keys.
- DO NOT FORCE TOOL.** It will do the job better and safer at the rate for which it was designed.
- USE RIGHT TOOL.** Do not force tool or attachment to do a job for which it was not designed.
- WEAR PROPER APPAREL.** Do not wear loose clothing, gloves, neckties, rings, bracelets, or other jewelry which may get caught in moving parts. Nonslip footwear is recommended. Wear protective hair covering to contain long hair.
- ALWAYS USE SAFETY GLASSES.** Also use face or dust mask if cutting operation is dusty. Everyday eyeglasses only have impact resistant lenses, they are NOT safety glasses.
- SECURE WORK.** Use clamps or a vise to hold work when practical. It's safer than using your hand and it frees both hands to operate tool.
- DO NOT OVERREACH.** Keep proper footing and balance at all times.

14. **MAINTAIN TOOLS WITH CARE.** Keep tools sharp and clean for best and safest performance. Follow instructions for lubricating and changing accessories.
15. **DISCONNECT TOOLS** before servicing; when changing accessories such as blades, bits, cutters, and the like.
16. **REDUCE THE RISK OF UNINTENTIONAL STARTING.** Make sure switch is in off position before plugging in.
17. **USE RECOMMENDED ACCESSORIES.** Consult the owner's manual for recommended accessories. The use of improper accessories may cause risk of injury to persons.
18. **NEVER STAND ON TOOL.** Serious injury could occur if the tool is tipped or if the cutting tool is unintentionally contacted.
19. **CHECK DAMAGED PARTS.** Before further use of the tool, a guard or other part that is damaged should be carefully checked to determine that it will operate properly and perform its intended function - check for alignment of moving parts, binding of moving parts, breakage of parts, mounting, and any other conditions that may affect its operation. A guard or other part that is damaged should be properly repaired or replaced.
20. **DIRECTION OF FEED.** Feed work into a blade or cutter against the direction of rotation of the blade or cutter only.
21. **NEVER LEAVE TOOL RUNNING UNATTENDED. TURN POWER OFF.** Do not leave tool until it comes to a complete stop.
22. **REPLACEMENT PARTS.** When servicing, use only identical replacement parts.
23. **POLARIZED PLUGS.** To reduce the risk of electric shock, this appliance has a polarized plug (one blade is wider than the other). This plug will fit in a polarized outlet only one way. If the plug does not fit fully in the outlet, reverse the plug. If it still does not fit, contact a qualified electrician to install the proper outlet. Do not change the plug in any way.

VOLTAGE WARNING: Before connecting the tool to a power source (receptacle, outlet, etc.) be sure the voltage supplied is the same as that specified on the nameplate of the tool. A power source with voltage greater than that specified for the tool can result in **SERIOUS INJURY** to the user- as well as damage to the appliance. If in doubt, **DO NOT PLUG IN THE APPLIANCE.** Using a power source with voltage less than the nameplate rating is harmful to the motor. **USE PROPER EXTENSION CORD.** Make sure your extension cord is in good condition. When using an extension cord, be sure to use one heavy enough to carry the current your product will draw. An undersized cord will cause a drop in line voltage resulting in loss of power and overheating. Table 1 shows the correct size to use depending on cord length and nameplate ampere rating. If in doubt, use the next heavier gage. The smaller the gage number, the heavier the cord.

Table 1: Minimum gage for cord

Ampere Rating		Volts	Total length of cord in feet			
		120 V	25 ft.	50 ft.	100 ft.	150 ft.
More Than	Not More Than	AWG				
0	6		18	16	16	14
6	10		18	16	14	12
10	12		16	16	14	12
12	16		14	12	Not Recommended	

000173

USB079-2

ADDITIONAL SAFETY RULES

DO NOT let comfort or familiarity with product (gained from repeated use) replace strict adherence to metal cutting saw safety rules. If you use this tool unsafely or incorrectly, you can suffer serious personal injury.

1. Wear eye protection.

2. Keep hands out of path of saw blade. Avoid contact with any coasting blade. It can still cause severe injury.
3. Do not operate saw without guards in place. Check blade guard for proper closing before each use. Do not operate saw if blade guard does not move freely and close instantly. Never clamp or tie the blade guard into the open position.

4. Do not perform any operation freehand. The workpiece must be secured firmly against the base with a vise during all operations. Never use your hand to secure the workpiece.
5. Never reach around saw blade.
6. Turn off tool and wait for saw blade to stop before moving workpiece or changing settings.
7. Do not use the tool in the presence of flammable liquids or gases.
8. Check the blade carefully for cracks or damage before operation. Replace cracked or damaged blade immediately.
9. Use only flanges specified for this tool.
10. Be careful not to damage the arbor, flanges (especially the installing surface) or bolt. Damage to these parts could result in blade breakage.
11. Make sure that the base is properly secured so it will not move during operation. Use the holes in the base to fasten the saw to a stable work platform or bench. NEVER use tool where operator positioning would be awkward.
12. For your safety, remove the chips, small pieces, etc. from the table top before operation.
13. Make sure the shaft lock is released before the switch is turned on.
14. Be sure that the blade does not contact the base in the lowest position.
15. Hold the handle firmly. Be aware that the saw moves up or down slightly during start-up and stopping.
16. Make sure the blade is not contacting the workpiece before the switch is turned on.
17. Before using the tool on an actual workpiece, let it run for a while. Watch for vibration or wobbling that could indicate poor installation or a poorly balanced blade.
18. Wait until the blade attains full speed before cutting.
19. Stop operation immediately if you notice anything abnormal.
20. Do not attempt to lock the trigger in the "ON" position.
21. Shut off power and wait for saw blade to stop before moving workpiece or adjusting tool.
22. Be alert at all times, especially during repetitive, monotonous operations. Do not be lulled into a false sense of security. Blades are extremely unforgiving.
23. Always use accessories recommended in this manual. Use of improper accessories such as abrasive wheels may cause an injury.
24. Do not abuse cord. Never yank cord to disconnect it from the receptacle. Keep cord away from heat, oil, water and sharp edges.
25. Never attempt to cut workpiece less than 14 gauge (0.08") thick except pipe or workpiece which cannot be secured firmly with a vise. The piece cut off may be caught by the blade, causing dangerous scattering of chips and/or damage to the carbide-chips. Possible serious injury may result.
26. Unplug tool before changing blade or servicing.

SAVE THESE INSTRUCTIONS.

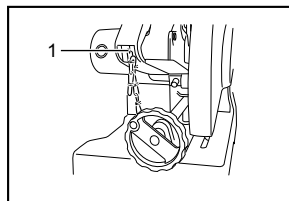
⚠WARNING:

MISUSE or failure to follow the safety rules stated in this instruction manual may cause serious personal injury.

INSTALLATION

Positioning the tool

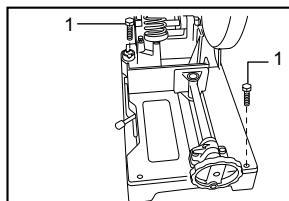
When the tool is shipped from the factory, the handle is locked in the lowered position. Release the handle from the lowered position by lowering it slightly and removing the chain from the hook on the handle.



1. Hook

003771

Bolt the tool with two bolts to a level and stable surface using the bolt holes provided in the tool base. This will help prevent tipping and possible injury.



1. Bolt

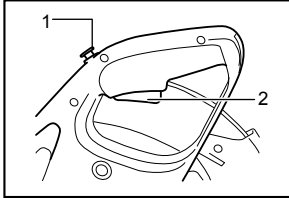
003772

FUNCTIONAL DESCRIPTION

⚠CAUTION:

- Always be sure that the tool is switched off and unplugged before adjusting or checking function on the tool.

Switch action



003773

1. Lock-off button
2. Switch trigger

⚠CAUTION:

- Before plugging in the tool, always check to see that the switch trigger actuates properly and returns to the "OFF" position when released.
- When not using the tool, remove the lock-off button and store it in a secure place. This prevents unauthorized operation.

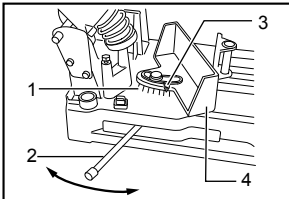
To prevent the switch trigger from being accidentally pulled, a lock-off button is provided.

To start the tool, depress the lock-off button and pull the switch trigger. Release the switch trigger to stop.

Setting for desired cutting angle

⚠CAUTION:

- Always tighten the hex bolt securely after changing the cutting angle.



003774

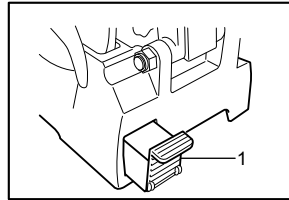
1. Graduation
2. Lever
3. indicator
4. Vise stop

To change the cutting angle, loosen the lever. Move the vise stop so that the indicator will point to the desired graduation. Then tighten the lever to secure the vise stop.

Dust collection

⚠CAUTION:

- Do not touch any part of the dust box except its handle immediately after operation; it may be extremely hot and could burn your skin.



003775

1. Dust box

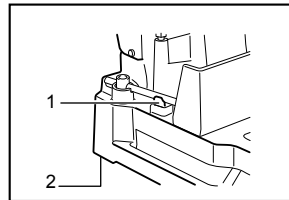
This tool is equipped with the dust box to collect dust and cut chips. When the dust box is full, hold the handle of the dust box and raise it slightly. Then pull the dust box out of the tool base. Empty the dust box of its contents.

ASSEMBLY

⚠CAUTION:

- Always be sure that the tool is switched off and unplugged before carrying out any work on the tool.

Socket wrench storage



003776

1. Wrench holder
2. Base

The socket wrench is stored as shown in the figure. When using the socket wrench, pull it out of the wrench holder. After using the socket wrench, return it to the wrench holder.

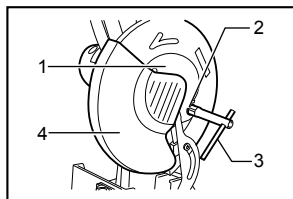
Installing or removing saw blade

⚠CAUTION:

- When mounting the blade, make sure that the direction of the arrow on the surface of the blade matches the direction of the arrow on the blade case.

- Use only the Makita socket wrench provided to install or remove the blade. Failure to do so may result in overtightening or insufficient tightening of the hex bolt. This could cause a personal injury.
- Do not touch the blade immediately after operation; it may be extremely hot and could burn your skin.

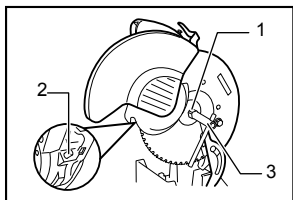
To remove the blade, use the socket wrench to loosen the hex bolt holding the center cover by turning it counterclockwise. Raise the blade guard and center cover.



003777

1. Center cover
2. Hex bolt
3. Socket wrench
4. Blade guard

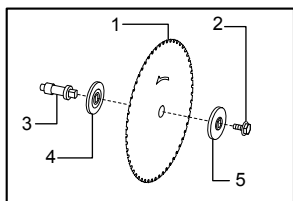
Press the shaft lock to lock the spindle and use the socket wrench to loosen the hex bolt by turning counterclockwise. Then remove the hex bolt, outer flange and blade.



003778

1. Hex bolt
2. Shaft lock
3. Socket wrench

To install the blade, mount the inner flange, saw blade, outer flange and hex bolt onto the spindle in that order. Tighten the hex bolt by turning clockwise while pressing the shaft lock. Return the blade guard and center cover to the original position. Then tighten the hex bolt clockwise to secure the center cover. Lower the handle to make sure that the blade guard moves properly.



003801

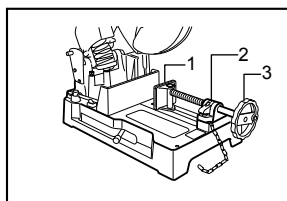
1. Carbide-tipped saw blade
2. Hex bolt
3. Spindle
4. Inner flange
5. Outer flange

Securing workpiece

⚠CAUTION:

- Always set the vise nut to the right fully when securing the workpiece. Failure to do so may result in insufficient securing of the workpiece. This could cause the workpiece to be ejected or cause damage to the blade.

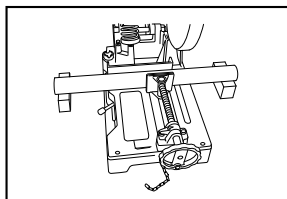
By turning the vise handle counterclockwise and then flipping the vise nut to the left, the vise is released from the shaft threads and can be moved rapidly in and out. To grip workpieces, push the vise handle until the vise plate contacts the workpiece. Flip the vise nut to the right and then turn the vise handle clockwise to securely retain the workpiece.



003780

1. Vise plate
2. Vise nut
3. Vise handle

Long workpieces must be supported by blocks of non-flammable material on either side so that it will be level with the base top.



003781

OPERATION

Cutting operation

⚠CAUTION:

- Never attempt to cut workpieces less than 14 gauge (0.08") thick except pipe or workpieces which cannot be secured firmly with the vise. The piece cut off may be caught by the blade, causing dangerous scattering of chips and/or damage to the carbide-tips. Possible serious injury may result.
- Do not apply excessive pressure on the handle when cutting. Too much pressure may result in overload of the motor, decreased cutting efficiency and/or damage to the carbide-tips or blade itself.

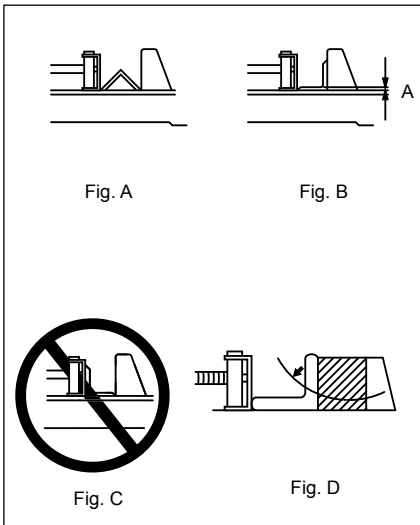
- Too little pressure on the handle may result in more sparks and premature blade wear.
- Do not touch the blade, workpiece or cutting chips immediately after operation; they may be extremely hot and could burn your skin.
- If the blade stops during operation, makes an odd noise or begins to vibrate, switch off the tool immediately. Replace cracked or damaged blade with a new one.

Hold the handle firmly. Switch on the tool and wait until the blade attains full speed. Then lower the handle gently to bring the blade close to the workpiece. When the blade makes contact, ease into the cut gently at first, then gradually add pressure as the cutting position steadies. Your pressure on the handle should be adjusted to produce the minimum amount of sparks.

When the cut is completed, switch off the tool and WAIT UNTIL THE BLADE HAS COME TO A COMPLETE STOP before returning the handle to the fully elevated position. If the handle is raised while the blade is still rotating, the piece cut off may be caught by the blade, causing dangerous scattering of chips. When cutting only part of the way into a workpiece, raise the handle while the blade is rotating. Switching off during the cut may cause damage to the carbide-tips as they contact the workpiece.

Cutting angles

Secure the workpiece in the vise as shown in the Figure A and proceed to cut it. The saw blade life will be shortened if the workpiece is cut as shown in the Fig B.



003782

⚠CAUTION:

- Do NOT cut the workpiece as shown in the Fig. C since this may cause it to be ejected from the vise, possibly resulting in injury.

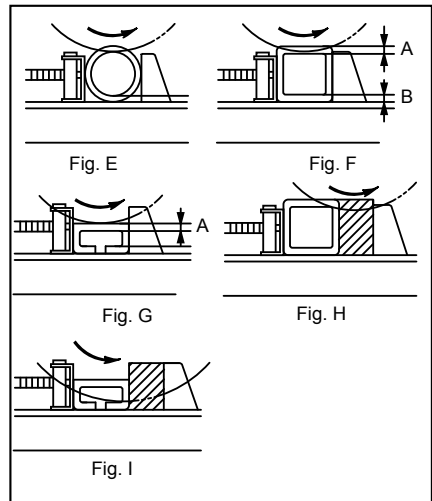
The saw blade is subjected to greater wear when the area A in the Fig. B is cut. Place a wooden block up against the workpiece as shown in the Fig. D so that the saw blade will enter area A at an angle. This will help to extend the saw blade life.

The allowable cutting dimensions are reduced when a wooden block is used. Use a wooden block whose dimensions are equivalent to the maximum allowable cutting dimensions minus the dimensions of the workpiece to be cut. This will further minimize the shortening of the saw blade life.

Cutting pipes, squares and channels

The saw blade is subjected to greater wear when the areas A and B in figure F and figure G are cut. Place a wooden block up against the workpiece as shown in figure H and figure I so that the saw blade will enter areas A and B at an angle. This will help to minimize the shortening of the saw blade life.

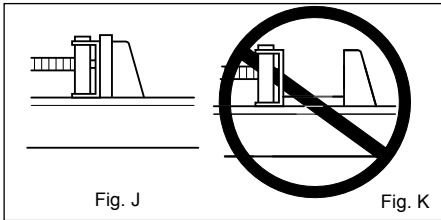
The allowable cutting dimensions are reduced when a wooden block is used. Use a wooden block whose dimensions are equivalent to the maximum allowable cutting dimensions minus the dimensions of the workpiece to be cut. This will further minimize the shortening of the saw blade life.



003783

Cutting rectangles

Secure the workpiece in the vise as shown in figure J, and proceed to cut it.



003784

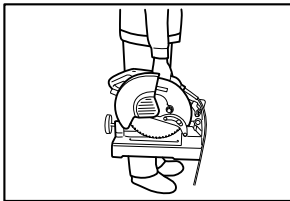
⚠CAUTION:

- Do NOT cut the workpiece as shown in figure K since this may cause it to be ejected from the vise, possibly resulting in injury.

Carrying tool

⚠CAUTION:

- The chain for transportation shall be adjusted to minimize the accessible zone of the saw blade before transporting the tool.



003785

Fold down the tool head to the position where you can attach the chain to the hook on the handle. Grasp the carrying grip when carrying the tool.

MAINTENANCE

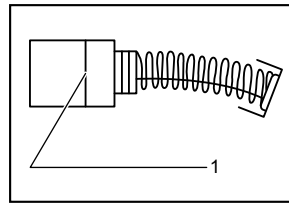
⚠CAUTION:

- Always be sure that the tool is switched off and unplugged before attempting to perform inspection or maintenance.

Replacing saw blade

Continuing to use a dull and worn blade may cause motor overload and decreased cutting efficiency. Replace with a new blade as soon as it is no longer effective.

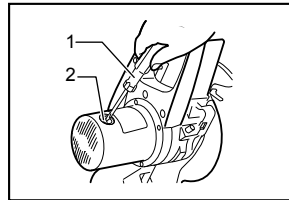
Replacing carbon brushes



001145

- Limit mark

Remove and check the carbon brushes regularly. Replace when they wear down to the limit mark. Keep the carbon brushes clean and free to slip in the holders. Both carbon brushes should be replaced at the same time. Use only identical carbon brushes. Use a screwdriver to remove the brush holder caps. Take out the worn carbon brushes, insert the new ones and secure the brush holder caps.



003786

- Screwdriver
- Brush holder cap

To maintain product SAFETY and RELIABILITY, repairs, any other maintenance or adjustment should be performed by Makita Authorized or Factory Service Centers, always using Makita replacement parts.

ACCESSORIES

⚠CAUTION:

- These accessories or attachments are recommended for use with your Makita tool specified in this manual. The use of any other accessories or attachments might present a risk of injury to persons. Only use accessory or attachment for its stated purpose.

If you need any assistance for more details regarding these accessories, ask your local Makita Service Center.

- Socket wrench 17
- Safety goggle
- Lock-off button (Switch button)
- Carbide-tipped saw blade
- 305 mm (12") Carbide-tipped saw blade & workpiece ranges

Part No.	Number of teeth	application	Applicable workpiece & thickness range				
			Angles	Pipes	Channels	Stainless Pipes	Stainless Angles
A-90532	60	Mild Steel	5/32" or more	1/8"-13/64"	5/32" or more	NA	NA
A-90722	60	Mild Steel (Lessened Noise Type)	5/32" or more	1/8"-13/64"	5/32" or more	NA	NA
A-90875	78	Thin Mild Steel	1/8"-15/64"	3/64"-13/64"	5/64" or more	NA	NA
A-90847	78	Stainless Steel	1/8"-15/64"	3/64"-13/64"	5/32" or more	3/64"-13/64"	1/8"-5/32"

(NA.....Not applicable)

006943

CAUTION:

- Always use carbide-tipped saw blades appropriate for your job. Do not cut aluminum, wood, plastics, concrete, tiles, etc.
- Carbide-tipped saw blades for metal cutting saw are not to be re-sharpened.

MAKITA LIMITED ONE YEAR WARRANTY

Warranty Policy

Every Makita tool is thoroughly inspected and tested before leaving the factory. It is warranted to be free of defects from workmanship and materials for the period of ONE YEAR from the date of original purchase. Should any trouble develop during this one year period, return the COMPLETE tool, freight prepaid, to one of Makita's Factory or Authorized Service Centers. If inspection shows the trouble is caused by defective workmanship or material, Makita will repair (or at our option, replace) without charge.

This Warranty does not apply where:

- repairs have been made or attempted by others:
- repairs are required because of normal wear and tear:
- the tool has been abused, misused or improperly maintained:
- alterations have been made to the tool.

IN NO EVENT SHALL MAKITA BE LIABLE FOR ANY INDIRECT, INCIDENTAL OR CONSEQUENTIAL DAMAGES FROM THE SALE OR USE OF THE PRODUCT. THIS DISCLAIMER APPLIES BOTH DURING AND AFTER THE TERM OF THIS WARRANTY.

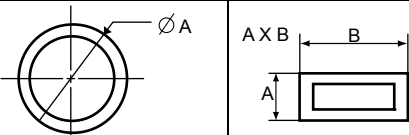
MAKITA DISCLAIMS LIABILITY FOR ANY IMPLIED WARRANTIES, INCLUDING IMPLIED WARRANTIES OF "MERCHANTABILITY" AND "FITNESS FOR A SPECIFIC PURPOSE," AFTER THE ONE YEAR TERM OF THIS WARRANTY.

This Warranty gives you specific legal rights, and you may also have other rights which vary from state to state. Some states do not allow the exclusion or limitation of incidental or consequential damages, so the above limitation or exclusion may not apply to you. Some states do not allow limitation on how long an implied warranty lasts, so the above limitation may not apply to you.

EN0006-1

FRANÇAIS

SPÉCIFICATIONS

Modèle		LC1230	
Diamètre de la lame		305 mm (12")	
Diamètre de l'orifice (alésage)		25.4 mm (1")	
Vitesse à vide (T/MIN)		1,300 /min.	
Dimensions (L x L x H)		516 mm x 306 mm x 603 mm (20-1/3" x 12" x 23-5/8")	
Poids net		19.0kg (41.8 lbs)	
Capacité de coupe			
Forme de la pièce			
Angle de coupe	90°	115mm (4-1/2")	75 mm x 150 mm (2-15/16" x 5-7/8") 100 mm x 100 mm (3-15/16" x 3-15/16")
	45°	90mm (3-1/2")	85 mm x 85mm (3-5/16" x 3-5/16")

• Étant donné l'évolution constante de notre programme de recherche et de développement, les spécifications contenues dans ce manuel sont sujettes à modification sans préavis.

• Note : Les spécifications peuvent varier suivant les pays.

USA007-2

Pour votre propre sécurité, veuillez lire le manuel d'instructions

Avant d'utiliser l'outil

Conservez-le pour référence ultérieure

PRÉCAUTIONS GÉNÉRALES

(POUR TOUS LES OUTILS)

1. **VOUS DEVEZ CONNAÎTRE VOTRE OUTIL ÉLECTRIQUE.** Lisez attentivement le manuel d'instructions. Familiarisez-vous avec les applications et limites de l'outil, ainsi qu'avec les risques potentiels qui lui sont spécifiques.
2. **MAINTENEZ LES PROTÉCTEURS EN PLACE** et en bon état de fonctionnement.
3. **RETIREZ LES CLÉS DE RÉGLAGE ET DE SERRAGE.** Prenez l'habitude de vous assurer que les clés de réglage et de serrage ont été retirées de l'outil avant de le mettre sous tension.
4. **MAINTENEZ LA ZONE DE TRAVAIL PROPRE.** Les zones de travail et les établis encombrés ouvrent grande la porte aux accidents.
5. **ÉVITEZ L'UTILISATION DANS UN ENVIRONNEMENT DANGEREUX.** N'utilisez pas les outils électriques dans les endroits humides ou mouillés, et ne les exposez pas à la pluie. Maintenez un éclairage adéquat dans la zone de travail. Ne vous servez pas de votre outil en présence de liquides ou gaz inflammables.
6. **MAINTENEZ LES ENFANTS À L'ÉCART.** Toute autre personne que l'utilisateur de l'outil doit se tenir à une distance sûre de l'aire de travail.
7. **FAITES EN SORTE QUE L'ATELIER SOIT SANS DANGER POUR LES ENFANTS,** en y posant des cadenas, un interrupteur principal, ou en retirant des équipements leurs clés de démarrage.
8. **NE FORCEZ PAS L'OUTIL.** Il effectuera un travail de meilleure qualité et plus sécuritaire s'il est utilisé au régime pour lequel il a été conçu.
9. **UTILISEZ LE BON OUTIL.** Ne forcez pas un outil ou accessoire à effectuer un travail pour lequel il n'a pas été conçu.
10. **PORTEZ DES VÊTEMENTS ADÉQUATS.** Ne portez ni vêtements ni gants amples, ni cravate, anneaux/bagues, bracelets ou autres bijoux susceptibles d'être happés par les pièces mobiles de l'outil. Le port de

- chaussures antidérapantes est recommandé. Portez un filet de protection pour envelopper les cheveux longs.
11. **PORTEZ TOUJOURS DES LUNETTES DE SÉCURITÉ.** Si le travail de coupe dégage de la poussière, portez également un écran facial ou un masque antipoussières. Les lunettes ordinaires ne sont munies que de lentilles résistantes aux chocs ; elles ne constituent PAS des lunettes de sécurité.
 12. **FIXEZ BIEN LA PIÈCE.** Lorsque cela est possible, fixez la pièce à travailler à l'aide de dispositifs de serrage ou d'un étou. Cela est plus sécuritaire que l'utilisation de la main et libère les deux mains pour le maniement de l'outil.
 13. **MAINTENEZ UNE BONNE POSITION.** Assurez-vous d'une bonne prise au sol et d'une bonne position d'équilibre en tout temps.
 14. **PRENEZ SOIN DES OUTILS.** Maintenez les outils bien aiguisés et propres pour assurer une performance sécuritaire et optimale. Suivez les instructions de lubrification et de changement des accessoires.
 15. **DÉBRANCHEZ LES OUTILS** avant tout travail de réparation ou avant de changer les accessoires tels que lames, embouts/forets/fraises et couteaux.
 16. **RÉDUISEZ LES RISQUES DE MISE EN MARCHÉ ACCIDENTELLE.** Assurez-vous que l'interrupteur est en position d'arrêt avant de brancher l'outil.
 17. **UTILISEZ LES ACCESSOIRES RECOMMANDÉS.** Consultez le manuel de l'utilisateur pour savoir quels sont les accessoires recommandés. L'utilisation d'accessoires non adéquats peut comporter un risque de blessure.
 18. **NE VOUS APPUYEZ JAMAIS SUR L'OUTIL.** Vous courez un risque de blessure grave si l'outil bascule ou si vous touchez accidentellement l'outil tranchant.
 19. **VÉRIFIEZ S'IL Y A DES PIÈCES ENDOMMAGÉES.** Avant d'utiliser l'outil, tout protecteur ou dispositif endommagé doit être vérifié soigneusement afin de s'assurer qu'il fonctionne adéquatement et peut remplir la fonction pour laquelle il est conçu. Vérifiez si les pièces mobiles sont bien alignées et bien fixées, vérifiez la présence de pièces brisées, vérifiez que l'outil est bien monté et assurez-vous que rien ne peut entraver son bon fonctionnement. Un protecteur ou tout autre dispositif endommagé doit être adéquatement réparé ou remplacé.
 20. **SENS D'ALIMENTATION.** Vous devez faire avancer la pièce à l'encontre de la lame ou de l'outil tranchant, non la faire progresser dans le même sens.
 21. **NE LAISSEZ JAMAIS SANS SURVEILLANCE UN OUTIL EN MARCHÉ. COUPEZ LE CONTACT.** Attendez que l'outil se soit complètement arrêté avant de le quitter.
 22. **PIÈCES DE RECHANGE.** Seules des pièces de rechange identiques aux originales doivent être utilisées lors des réparations.
 23. **FICHES POLARISÉES.** Pour réduire les risques de choc électrique, cet appareil est muni d'une fiche polarisée (une des lames est plus large que l'autre). Cette fiche ne peut être insérée dans une prise polarisée que dans un seul sens. Si la fiche ne s'insère pas à fond dans la prise, insérez-la en sens inverse. Si elle ne s'insère toujours pas à fond, contactez un technicien qualifié pour faire installer une prise appropriée. N'apportez aucune modification à la fiche.
- MISE EN GARDE RELATIVE À LA TENSION :** avant de brancher l'outil sur une source d'alimentation (prise ou autre dispositif), assurez-vous que la tension du circuit correspond à celle qui est spécifiée sur la plaque signalétique de l'outil. L'utilisation d'une source d'alimentation dont la tension est supérieure à celle spécifiée pour l'outil peut entraîner une GRAVE BLESSURE et endommager l'outil. En cas de doute, NE BRANCHEZ PAS L'OUTIL. L'utilisation d'une source d'alimentation dont la tension est inférieure à la valeur indiquée sur la plaque signalétique endommagera le moteur.
- UTILISEZ UN CORDON PROLONGATEUR ADÉQUAT.** Assurez-vous que le cordon prolongateur est en bon état. Lors de l'utilisation d'un cordon prolongateur, utilisez sans faute un cordon assez gros pour conduire le courant que l'outil nécessite. Un cordon trop petit provoquera une baisse de tension de secteur, résultant en une perte de puissance et une surchauffe. Le Tableau 1 indique la dimension appropriée de cordon selon sa longueur et selon l'intensité nominale indiquée sur la plaque signalétique. En cas de doute sur un cordon donné, utilisez le cordon suivant (plus gros). Plus le numéro de gabarit indiqué est petit, plus le cordon est gros.

Tableau 1. Gabarit minimum du cordon

Intensité nominale		Volts	Longueur totale du cordon en pieds			
		120 V	25 pi	50 pi	100 pi	150 pi
Plus de	Pas plus de	Calibre américain des fils				
0	6	18	16	16	14	
6	10	18	16	14	12	
10	12	16	16	14	12	
12	16	14	12	Non recommandé		

000173

USB079-2

RÈGLES DE SÉCURITÉ SUPPLÉMENTAIRES

NE vous laissez PAS tromper (au fil d'une utilisation répétée) par un sentiment d'aisance et de familiarité avec l'outil, en négligeant le respect rigoureux des règles de sécurité qui accompagnent la scie à métal. Si vous n'utilisez pas cet outil de façon sûre et adéquate, vous courez un risque de blessure grave.

1. Portez un protecteur pour la vue.
2. Maintenez les mains hors de la ligne de coupe de la lame. Évitez tout contact avec la lame lorsqu'elle continue de tourner après la mise hors tension de l'outil. Elle peut alors quand même causer de graves blessures.
3. N'utilisez jamais la scie sans les protections en place. Assurez-vous avant chaque utilisation que le protecteur de lame se referme bien. N'utilisez pas la scie si le protecteur de lame ne se déplace pas librement et ne se referme pas instantanément. Ne fixez ou n'attachez jamais le protecteur de lame en position ouverte.
4. Ne sciez jamais à la volée. La pièce doit être fixée fermement contre la base avec un étau lors de toutes les opérations. Ne tenez jamais la pièce simplement avec la main, sans étau.
5. N'approchez jamais les mains de la lame.
6. Coupez le contact et attendez l'arrêt de la lame avant de déplacer la pièce ou de modifier les réglages.
7. N'utilisez pas l'outil en présence de liquides ou gaz inflammables.
8. Avant l'utilisation, assurez-vous que la lame ne comporte aucune fissure et qu'elle n'est pas endommagée. Remplacez immédiatement toute lame fissurée ou endommagée.
9. Utilisez exclusivement les flasques spécifiés pour cet outil.
10. Prenez garde d'endommager l'arbre, les flasques (tout particulièrement leur surface d'installation) ou le boulon. L'endommagement de ces pièces peut causer une cassure de la lame.
11. Assurez-vous que la base est bien fixée, afin qu'elle ne risque pas de se déplacer pendant le sciage. Utilisez les orifices de la base pour fixer la scie à une surface de travail ou à un établi stable. N'utilisez JAMAIS l'outil si vous vous trouvez dans une position qui n'assure pas une pleine liberté de mouvement.
12. Pour votre sécurité, retirez les copeaux et autres petites pièces présentes sur la table avant de commencer le travail.
13. Assurez-vous que le blocage de l'arbre est libéré avant de mettre le contact.
14. Assurez-vous que la lame ne touche pas la base quand elle est abaissée au maximum.
15. Tenez la poignée fermement. N'oubliez pas que la scie se déplace légèrement vers le haut ou le bas au démarrage et à l'arrêt.
16. Assurez-vous que la lame n'entre pas en contact avec la pièce avant de mettre l'outil sous tension.
17. Avant d'utiliser l'outil sur la pièce, laissez-le tourner à vide un instant. Soyez attentif à toute vibration ou sautellement pouvant indiquer que la lame n'est pas bien installée ou est mal équilibrée.
18. Attendez que la lame atteigne sa pleine vitesse avant de procéder à la coupe.
19. Arrêtez immédiatement votre outil dès que vous observez quelque chose d'anormal.
20. N'essayez pas de verrouiller la gâchette en position de marche.
21. Coupez l'alimentation et attendez l'arrêt de la lame avant de déplacer la pièce ou de régler l'outil.

22. **Demeurez attentif en tout temps, et tout particulièrement lors des travaux répétitifs et monotones. Ne vous laissez pas emporter par un sentiment de sécurité trompeur. Les lames ne pardonnent pas.**
23. **Utilisez toujours les accessoires recommandés dans le présent manuel. L'utilisation d'accessoires inadéquats, tels que les meules abrasives par exemple, peut entraîner une blessure.**
24. **Ne maltraitez pas le cordon. Ne tirez jamais directement sur le cordon pour le débrancher de la prise de courant. Maintenez le cordon à l'écart de la chaleur, de l'eau, de l'huile et des objets à bords tranchants.**
25. **N'essayez jamais de couper des pièces d'une épaisseur inférieure à 14 jauges (0,08 po), à l'exception des tuyaux et pièces qu'il n'est pas possible d'immobiliser fermement avec un étau. La pièce détachée peut être happée par la lame et causer la projection de copeaux dangereux et/ou l'endommagement des pointes de carbure de tungstène. Il y a un risque de grave blessure.**
26. **Débranchez l'outil avant le changement de lame ou la réparation.**

CONSERVEZ CE MODE D'EMPLOI.

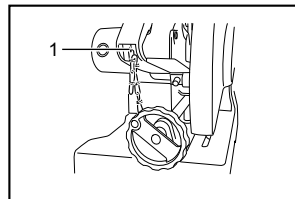
⚠ AVERTISSEMENT:

Une MAUVAISE UTILISATION de l'outil ou l'ignorance des consignes de sécurité du présent manuel d'instructions peuvent entraîner une grave blessure.

Pose

Préparation de l'outil

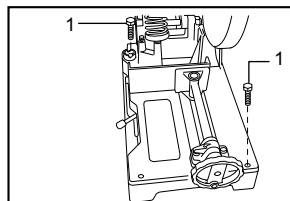
À sa sortie d'usine, l'outil est expédié avec la poignée verrouillée en position abaissée. Libérez la poignée de sa position abaissée en l'abaissant légèrement et en retirant la chaîne du crochet sur la poignée.



003771

1. Crochet

Boulonnez l'outil avec deux boulons sur une surface horizontale et stable, à l'aide des orifices à boulon prévus sur la base de l'outil. L'outil risquera moins de basculer et de causer des blessures.



003772

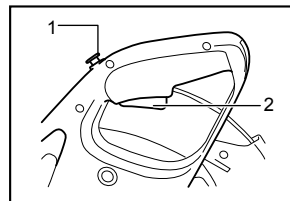
1. Boulon

DESCRIPTION DU FONCTIONNEMENT

⚠ ATTENTION:

- Assurez-vous toujours que l'outil est hors tension et débranché avant de l'ajuster ou de vérifier son fonctionnement.

Interrupteur



003773

1. Bouton de sécurité
2. Gâchette

⚠ ATTENTION:

- Avant de brancher l'outil, assurez-vous toujours que la gâchette fonctionne correctement et revient en position d'arrêt une fois relâchée.
- Lorsque vous avez terminé d'utiliser l'outil, retirez le bouton de sécurité et rangez-le dans un endroit sûr. Cela évitera l'utilisation de l'outil sans autorisation.

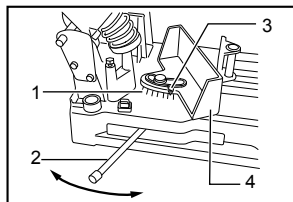
Un bouton de sécurité est fourni pour prévenir la pression accidentelle sur la gâchette.

Pour mettre l'outil en marche, enfoncez le bouton de sécurité puis appuyez sur la gâchette. Pour l'arrêter, relâchez la gâchette.

Réglage de l'angle de coupe

⚠ ATTENTION:

- Serrez toujours le boulon hexagonal fermement après avoir changé l'angle de coupe.



1. Graduation
2. Levier
3. indicateur
4. Butée de l'étau

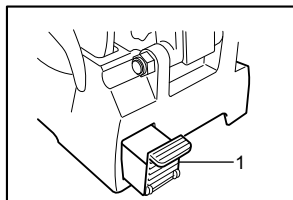
003774

Pour changer l'angle de coupe, desserrez le levier. Déplacez la butée de l'étau de sorte que l'indicateur pointe sur la graduation désirée. Serrez ensuite le levier pour immobiliser la butée de l'étau.

Collecte des poussières

⚠ATTENTION:

- Après la coupe, ne touchez aucune partie de la boîte à poussières à l'exception de sa poignée ; ces parties peuvent être très chaudes et vous brûler la peau.



1. Boîtier collecteur de poussières

003775

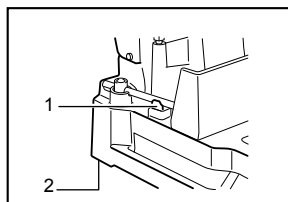
Cet outil est équipé d'une boîte à poussières pour la collecte des poussières et des copeaux. Lorsque la boîte à poussières est pleine, saisissez-la par sa poignée et soulevez-la légèrement. Tirez ensuite pour retirer la boîte à poussières de la base de l'outil. Videz la boîte à poussières.

ASSEMBLAGE

⚠ATTENTION:

- Avant d'effectuer toute intervention sur l'outil, assurez-vous toujours qu'il est hors tension et débranché.

Rangement de la clé à douille



1. Support à clé
2. Base

003776

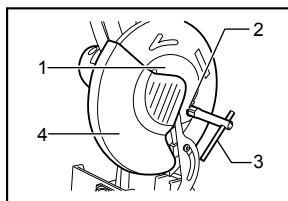
Le rangement de la clé à douille s'effectue de la façon indiquée sur l'illustration. Pour utiliser la clé à douille, retirez-la du support à clé. Après avoir utilisé la clé à douille, remettez-la dans le support à clé.

Pose et retrait de la lame de scie

⚠ATTENTION:

- Lorsque vous montez la lame, assurez-vous que le sens indiqué par la flèche sur la surface de la lame correspond à celui de la flèche du porte-lame.
- Utilisez exclusivement la clé à douille Makita fournie pour installer ou retirer la lame. Sinon, le boulon hexagonal risque d'être trop ou pas assez serré. Cela comporte un risque de blessure.
- Ne touchez jamais la lame juste après la coupe ; elle peut être extrêmement chaude et risque de vous brûler la peau.

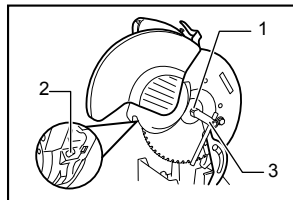
Pour retirer la lame, utiliser la clé à douille pour desserrer le boulon hexagonal qui retient le couvercle central, en tournant dans le sens inverse des aiguilles d'une montre. Soulevez le protecteur de lame et le couvercle central.



1. Couvercle central
2. Boulon hexagonal
3. Clé à douille
4. Protecteur de lame

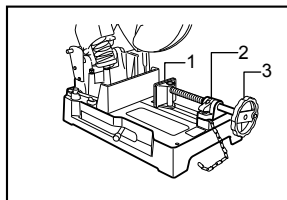
003777

Appuyez sur le blocage de l'arbre pour verrouiller l'axe et desserrez le boulon hexagonal en tournant vers la gauche. Retirez ensuite le boulon hexagonal, le flasque extérieur et la lame.



003778

1. Boulon hexagonal
2. Verrouillage de l'arbre
3. Clé à douille

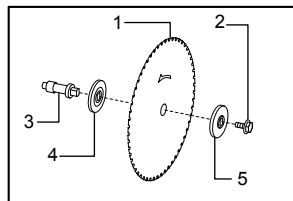


003780

1. Plaque de l'étau
2. Écrou de l'étau
3. Poignée de l'étau

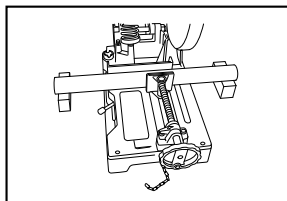
Pour poser la lame, montez le flasque intérieur, la lame, le flasque extérieur et le bouton hexagonal sur l'axe, dans cet ordre. Serrez le boulon hexagonal en tournant vers la droite tout en appuyant sur le blocage de l'arbre. Remettez le protecteur de lame et le capot central en position initiale. Vissez ensuite le boulon hexagonal en le tournant vers la droite pour fixer le capot central. Abaissez la poignée pour vous assurer que le protecteur de lame se déplace adéquatement.

Les longues pièces à travailler doivent être soutenues de chaque côté par des blocs en matériau ininflammable placés au même niveau que le dessus de la base.



003801

1. Lame à dents de carbure
2. Boulon hexagonal
3. Axe
4. Bague interne
5. Bague externe



003781

UTILISATION

Coupe

⚠ATTENTION:

- N'essayez jamais de couper des pièces d'une épaisseur inférieure à 14 jauges (0,08 po), à l'exception des tuyaux et pièces qu'il n'est pas possible d'immobiliser fermement dans l'étau. La pièce détachée peut être happée par la lame et causer la projection de copeaux dangereux et/ou l'endommagement des pointes de carbure de tungstène. Il y a risque de BLESSURE grave.
- Pendant la coupe, n'appliquez pas une pression excessive sur la poignée. Une pression trop grande peut entraîner une surcharge du moteur, réduire l'efficacité de coupe et/ou endommager les pointes de carbure de tungstène ou la lame elle-même.
- Une pression insuffisante sur la poignée peut provoquer des étincelles et l'usure rapide de la lame.
- Ne touchez jamais la lame, la pièce ou les copeaux juste après la coupe ; ils peuvent être extrêmement chauds et risquent de vous brûler la peau.
- Si la lame s'arrête pendant la coupe, émet un bruit anormal ou se met à vibrer, éteignez immédiatement l'outil. Remplacez la lame fissurée ou endommagée par une neuve.

Immobilisation de la pièce

⚠ATTENTION:

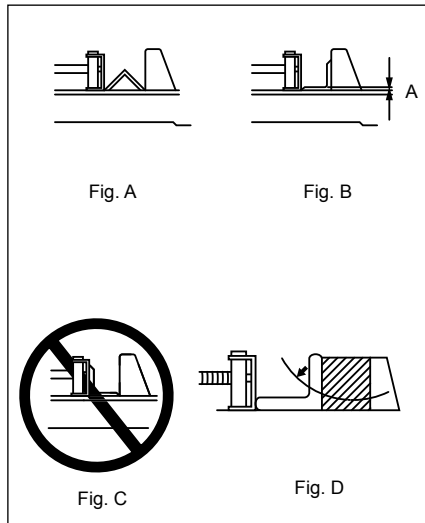
- Lorsque vous immobilisez la pièce, tournez toujours l'écrou de l'étau complètement vers la droite. Faute de cette précaution, la pièce risque de ne pas être suffisamment serrée. Cela peut causer l'éjection de la pièce ou l'endommagement de la lame.

Vous pouvez dégager l'étau des filages de l'arbre et le déplacer rapidement vers l'intérieur et l'extérieur en tournant la poignée de l'étau dans le sens inverse des aiguilles d'une montre et en basculant l'écrou de l'étau vers la gauche. Pour serrer la pièce à travailler, poussez sur la poignée de l'étau jusqu'à ce que la plaque de l'étau entre en contact avec la pièce. Basculez l'écrou de l'étau vers la droite puis tournez la poignée de l'étau dans le sens des aiguilles d'une montre pour immobiliser solidement la pièce à travailler.

Tenez la poignée fermement. Mettez l'outil sous tension et attendez que la lame atteigne sa pleine vitesse. Abaissez ensuite doucement la poignée pour approcher la lame de la pièce. Lorsque la lame entre en contact avec la pièce, faites-la d'abord pénétrer légèrement dans sa ligne de coupe, puis augmentez graduellement la pression à mesure que la position de la lame se stabilise. Vous devez ajuster votre pression sur la poignée de façon à produire un minimum d'étincelles. Lorsque la coupe est terminée, coupez le contact de l'outil et **ATTENDEZ QUE LA LAME SE SOIT COMPLÈTEMENT ARRÊTÉE** avant de ramener la poignée en position complètement relevée. Si vous soulevez la poignée alors que la lame tourne encore, la pièce détachée peut être happée par la lame et causer la projection de copeaux dangereux. Pour couper une pièce en partie seulement, soulevez la poignée alors que la lame tourne encore. En coupant le contact pendant la coupe vous risqueriez d'endommager les pointes de carbure de tungstène en contact avec la pièce.

Angles de coupe

Immobilisez la pièce dans l'étau, tel qu'indiqué sur la figure A, puis coupez-la. La durée de service de la lame sera réduite si vous coupez la pièce en procédant comme à la figure B.



003782

ATTENTION:

- NE PAS couper la pièce en procédant comme à la figure C, car elle risquerait d'être éjectée de l'étau et de causer une blessure.

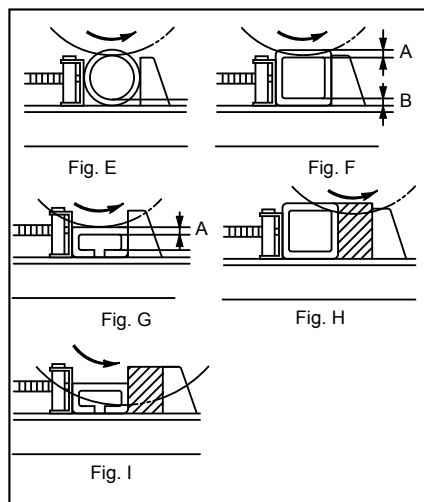
La lame s'use plus rapidement lors de la coupe de la zone A indiquée sur la figure B. Posez un bloc de bois contre la pièce, tel qu'indiqué sur la figure D, de sorte que la lame entre dans la zone A avec un angle. Cela favorisera une usure moins rapide de la lame.

Les dimensions de coupe permises diminuent lors de l'utilisation d'un bloc de bois. Utilisez un bloc de bois dont les dimensions correspondent aux dimensions de coupe permises maximales, moins celles de la pièce à couper. Cela favorisera davantage l'allongement de la durée de vie de la lame.

Coupe des tuyaux, carrés (profils pleins) et profilés en U

La lame s'use plus rapidement lors de la coupe des zones A et B indiquées sur les figures F et G. Posez un bloc de bois contre la pièce, tel qu'indiqué sur les figures H et I, de sorte que la lame entre dans les zones A et B avec un angle. Cela aidera à allonger la durée de vie de la lame.

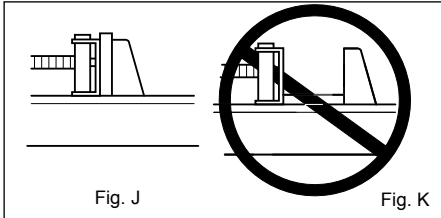
Les dimensions de coupe permises diminuent lors de l'utilisation d'un bloc de bois. Utilisez un bloc de bois dont les dimensions correspondent aux dimensions de coupe permises maximales, moins celles de la pièce à couper. Cela favorisera davantage l'allongement de la durée de vie de la lame.



003783

Coupe des rectangles

Immobilisez la pièce dans l'étau, tel qu'indiqué sur la figure J, puis coupez-la.



003784

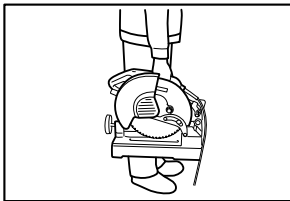
⚠ATTENTION:

- NE PAS couper la pièce en procédant comme à la figure K, car elle risquerait d'être éjectée de l'état et de causer une blessure.

Transport de l'outil

⚠ATTENTION:

- Avant de transporter l'outil, vous devez vous assurer que la chaîne de transport est ajustée pour réduire le plus possible la zone exposée de la lame.



003785

Repliez la tête de l'outil vers le bas jusqu'à la position qui permet de fixer la chaîne au crochet de la poignée. Saisissez l'outil par sa poignée de transport pour le transporter.

ENTRETIEN

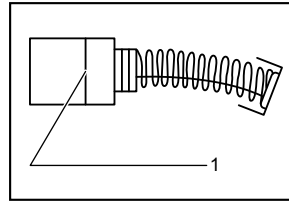
⚠ATTENTION:

- Assurez-vous toujours que l'outil est hors tension et débranché avant d'y effectuer tout travail d'inspection ou d'entretien.

Changement de lame

Il y a risque de surcharge du moteur et de coupes moins efficaces si vous continuez d'utiliser une lame émoussée ou usée. Remplacez la lame par une neuve dès qu'elle ne coupe plus bien.

Remplacement des charbons

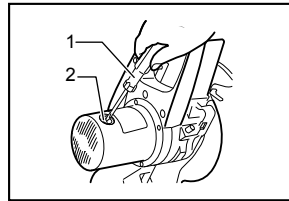


001145

1. Trait de limite d'usure

Retirez et vérifiez régulièrement les charbons. Remplacez-les lorsqu'ils sont usés jusqu'au trait de limite d'usure. Maintenez les charbons propres et en état de glisser aisément dans les porte-charbon. Les deux charbons doivent être remplacés en même temps. N'utilisez que des charbons identiques.

Utilisez un tournevis pour retirer les bouchons de porte-charbon. Enlevez les charbons usés, insérez-en de nouveaux et revissez solidement les bouchons de porte-charbon.



003786

1. Tournevis
2. Bouchon de porte-charbon

Pour maintenir la SÉCURITÉ et la FIABILITÉ du produit, les réparations, tout autre travail d'entretien ou de réglage doivent être effectués dans un centre de service Makita agréé ou un centre de service de l'usine Makita, exclusivement avec des pièces de rechange Makita.

ACCESSOIRES

⚠ATTENTION:

- Ces accessoires ou pièces complémentaires sont recommandés pour l'utilisation avec l'outil Makita spécifié dans ce mode d'emploi. L'utilisation de tout autre accessoire ou pièce complémentaire peut comporter un risque de blessure. N'utilisez les accessoires ou pièces qu'aux fins auxquelles ils ont été conçus.

Si vous désirez obtenir plus de détails concernant ces accessoires, veuillez contacter le centre de service après-vente Makita le plus près.

- Clé à douille 17
- Lunettes de sécurité
- Bouton de sécurité (interrupteur)

- Lame à dents de carbure de tungstène
- Les lames à dents de carbure de tungstène de 305 mm (12 po) et les dimensions de pièce permises

N° de pièce	Nombre de dents	Application	Type de pièce à couper et plage d'épaisseur				
			Angles	Tuyaux	Tubes	Tuyaux en acier inoxydable	Angles en acier inoxydable
A-90532	60	Acier doux	5/32" ou plus	1/8"-13/64"	5/32" ou plus	SO	SO
A-90722	60	Acier doux (de type réducteur de bruit)	5/32" ou plus	1/8"-13/64"	5/32" ou plus	SO	SO
A-90875	78	Acier doux mince	1/8"-15/64"	3/64"-13/64"	5/64" ou plus	SO	SO
A-90847	78	Acier inoxydable	1/8"-15/64"	3/64"-13/64"	5/32" ou plus	3/64"-13/64"	1/8"-5/32"

(SO.....Sans objet)

006943

ATTENTION:

- Utilisez toujours des lames à dents de carbure de tungstène qui conviennent au travail à effectuer. Ne coupez pas l'aluminium, le bois, le plastique, le béton, la tuile, etc.
- Les lames à dents de carbure de tungstène pour scie à métal n'ont pas besoin d'être réaffûtées.

GARANTIE LIMITÉE D'UN AN MAKITA

Politique de garantie

Chaque outil Makita est inspecté rigoureusement et testé avant sa sortie d'usine. Nous garantissons qu'il sera exempt de défaut de fabrication et de vice de matériau pour une période d'UN AN à partir de la date de son achat initial. Si un problème quelconque devait survenir au cours de cette période d'un an, veuillez retourner l'outil COMPLET, port payé, à une usine ou à un centre de service après-vente Makita. Makita réparera l'outil gratuitement (ou le remplacera, à sa discrétion) si un défaut de fabrication ou un vice de matériau est découvert lors de l'inspection.

Cette garantie ne s'applique pas dans les cas où:

- des réparations ont été effectuées ou tentées par un tiers:
- des réparations s'imposent suite à une usure normale:
- l'outil a été malmené, mal utilisé ou mal entretenu:
- l'outil a subi des modifications.

MAKITA DÉCLINE TOUTE RESPONSABILITÉ POUR TOUT DOMMAGE ACCESSOIRE OU INDIRECT LIÉ À LA VENTE OU À L'UTILISATION DU PRODUIT. CET AVIS DE NON-RESPONSABILITÉ S'APPLIQUE À LA FOIS PENDANT ET APRÈS LA PÉRIODE COUVERTE PAR CETTE GARANTIE.

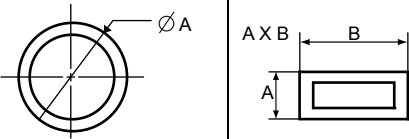
MAKITA DÉCLINE TOUTE RESPONSABILITÉ QUANT À TOUTE GARANTIE TACITE, INCLUANT LES GARANTIES TACITES DE "QUALITÉ MARCHANDE" ET "ADÉQUATION À UN USAGE PARTICULIER" APRÈS LA PÉRIODE D'UN AN COUVERTE PAR CETTE GARANTIE.

Cette garantie vous donne des droits spécifiques reconnus par la loi, et possiblement d'autres droits, qui varient d'un État à l'autre. Certains États ne permettant pas l'exclusion ou la limitation des dommages accessoires ou indirects, il se peut que la limitation ou exclusion ci-dessus ne s'applique pas à vous. Certains États ne permettant pas la limitation de la durée d'application d'une garantie tacite, il se peut que la limitation ci-dessus ne s'applique pas à vous.

EN0006-1

ESPAÑOL

ESPECIFICACIONES

Modelo		LC1230	
Especificaciones eléctricas en México		120 V~ 15 A 50/60 Hz	
Diámetro del disco		305 mm (12")	
Diámetro del orificio (eje)		25,4 mm (1")	
Revoluciones por minuto (r.p.m.)		1 300 /min.	
Dimensiones (L x A x A)		516 mm x 306 mm x 603 mm (20-1/3" x 12" x 23-5/8")	
Peso neto		19,0kg (41,8 lbs)	
Capacidad de corte			
Forma de la pieza de trabajo			
Ángulo de corte	90°	115mm (4-1/2")	75 mm x 150 mm (2-15/16" x 5-7/8") 100 mm x 100 mm (3-15/16" x 3-15/16")
	45°	90mm (3-1/2")	85 mm x 85mm (3-5/16" x 3-5/16")

• Debido a nuestro programa continuo de investigación y desarrollo, las especificaciones aquí dadas están sujetas a cambios sin previo aviso.

• Nota: Las especificaciones pueden ser diferentes de país a país.

USA007-2

Por su propia seguridad lea el Manual de Instrucciones

Antes de utilizar la herramienta

Guarde las instrucciones para referencia futura

PRECAUCIONES DE SEGURIDAD GENERALES

(Para todas las herramientas)

1. **CONOZCA SU HERRAMIENTA ELÉCTRICA.** Lea el manual del usuario atentamente. Conozca las aplicaciones y limitaciones de la herramienta, así como también los riesgos potenciales específicos propios de la misma.
2. **NO quite los protectores y manténgalos en buen estado de funcionamiento.**
3. **RETIRE LAS LLAVES DE AJUSTE Y DE APRIETE.** Adquiera el hábito de comprobar y ver que las llaves de ajuste y de apriete estén retiradas de la herramienta antes de ponerla en marcha.
4. **MANTENGA EL ÁREA DE TRABAJO LIMPIA.** Las áreas y bancos de trabajo desordenados y amontonados hacen que los accidentes sean propensos.
5. **NO LAS UTILICE EN AMBIENTES PELIGROSOS.** No utilice las herramientas eléctricas en lugares húmedos o mojados, ni las exponga a la lluvia. Mantenga el área de trabajo bien iluminada. No utilice la herramienta en presencia de líquidos o gases inflamables.
6. **MANTENGA ALEJADOS A LOS NIÑOS.** Todos los visitantes deberán ser mantenidos a una distancia segura del área de trabajo.
7. **MANTENGA EL TALLER A PRUEBA DE NIÑOS** con candados, interruptores maestros, o quitando las llaves de encendido.
8. **NO FORCE LA HERRAMIENTA.** La herramienta realizará la tarea mejor y de forma más segura a la potencia para la que ha sido diseñada.
9. **UTILICE LA HERRAMIENTA APROPIADA.** No force la herramienta ni los accesorios realizando con ellos un trabajo para el que no han sido diseñados.

10. **PÓNGASE INDUMENTARIA APROPIADA.** No se ponga ropa holgada, guantes, corbata, anillos, pulseras, ni otro tipo de alhajas que puedan engancharse en las partes móviles. Se recomienda utilizar calzado antiderrapante. Recójase el cabello o si lo tiene largo o cúbralo para su protección.
 11. **UTILICE SIEMPRE GAFAS DE SEGURIDAD.** Utilice también careta contra el polvo si la operación de corte es polvorienta. Las gafas de uso diario para la vista sólo tienen lentes que pueden proteger contra pequeños impactos, NO son gafas de seguridad.
 12. **SUJETE LA PIEZA DE TRABAJO.** Utilice mordazas o un tornillo de banco para sujetar la pieza de trabajo cuando resulte práctico. Es más seguro que utilizar la mano y además dispondrá de ambas manos para manejar la herramienta.
 13. **NO UTILICE LA HERRAMIENTA DONDE NO ALCANCE.** Mantenga los pies sobre suelo firme y el equilibrio en todo momento.
 14. **DÉ MANTENIMIENTO A SUS HERRAMIENTAS.** Mantenga las herramientas afiladas y limpias para obtener de ellas un mejor y más seguro rendimiento. Siga las instrucciones para lubricarlas y cambiar los accesorios.
 15. **DESCONECTE LAS HERRAMIENTAS** antes de darles mantenimiento; cuando cambie accesorios tales como discos, brocas, cuchillas, y otros por el estilo.
 16. **REDUZCA EL RIESGO DE PUESTAS EN MARCHA INVOLUNTARIAS.** Asegúrese de que el interruptor esté en posición desactivada antes de conectar la herramienta.
 17. **UTILICE ACCESORIOS RECOMENDADOS.** Consulte el manual del propietario para ver los accesorios recomendados. La utilización de accesorios no apropiados podría ocasionar un riesgo de heridas a personas.
 18. **NO SE PARE NUNCA ENCIMA DE LA HERRAMIENTA.** Si se tropieza y enciende la herramienta, o si se toca sin querer el disco de corte podrá ocasionar graves heridas.
 19. **COMPRUEBE LAS PARTES DAÑADAS.** Si un protector u otra parte están dañados, antes de seguir utilizando la herramienta deberá verificarlos cuidadosamente para cerciorarse de que van a funcionar debidamente y realizar la función para la que han sido previstos - compruebe la alineación de las partes móviles, la sujeción de las partes móviles, si hay partes rotas, el montaje y cualquier otra condición que pueda afectar su operación. Un protector u otra parte que esté dañada deberá ser reparada o debidamente cambiada.
20. **DIRECCIÓN DE AVANCE.** Avance la pieza de trabajo hacia el disco o cuchilla solamente a contra dirección del giro de los mismos.
 21. **NO DESCUIDE NI DEJE NUNCA LA HERRAMIENTA MIENTRAS ESTÉ EN MARCHA. DESCONECTE LA ALIMENTACIÓN.** No deje la herramienta hasta que haya detenido completamente.
 22. **PIEZAS DE REPUESTO.** Cuando se dé el servicio a la herramienta (mantenimiento), utilice solamente piezas de repuesto idénticas.
 23. **CLAVIJAS POLARIZADAS.** Para reducir el riesgo de descargas eléctricas, este equipo tiene una clavija polarizada (un borne es más ancho que el otro.) Esta clavija encajará en una toma de corriente polarizada en un sentido solamente. Si la clavija no encaja totalmente en la toma de corriente, invierta la clavija. Si aún así no encaja, póngase en contacto con un electricista cualificado para que le instale la toma de corriente apropiada. No modifique la clavija de ninguna forma.
- ADVERTENCIA SOBRE EL VOLTAJE:** Antes de conectar la herramienta a una toma de corriente (enchufe, fuente de alimentación, etc.), asegúrese de que la tensión suministrada es igual a la especificada en la placa de características de la herramienta. Una toma de corriente con un voltaje mayor que el especificado para la herramienta podrá resultar en **HERIDAS GRAVES** al usuario -así como también daños a la herramienta. Si no está seguro, **NO CONECTE LA HERRAMIENTA.** La utilización de una toma de corriente con una voltaje menor al nominal indicado en la placa de características es dañino para el motor.
- UTILICE CABLES DE EXTENSIÓN APROPIADOS.** Asegúrese de que su cable de extensión esté en buenas condiciones. Cuando utilice un cable de extensión, asegúrese de utilizar uno del calibre suficiente para conducir la corriente que demande el producto. Un cable de calibre inferior ocasionará una caída en la tensión de línea que resultará en una pérdida de potencia y sobrecalentamiento. La Tabla 1 muestra el tamaño correcto a utilizar dependiendo de la longitud del cable y el amperaje nominal indicado en la placa de características. Si no está seguro, utilice el siguiente calibre más potente. Cuanto menor sea el número de calibre, más potente será el cable.

Tabla 1. Calibre mínimo para el cable

Amperaje nominal		Volts	Longitud total del cable en metros			
		120 V~	7,6 m (25 ft)	15,2 m (50 ft)	30,4 m (100 ft)	45,7 m (150 ft)
Más de	No más de	Calibre del cable (AWG)				
0 A	6 A	18	16	16	14	
6 A	10 A	18	16	14	12	
10 A	12 A	16	16	14	12	
12 A	16 A	14	12	No se recomienda		

000173

USB079-2

NORMAS DE SEGURIDAD ADICIONALES

Advertencias y precauciones

NO deje que la comodidad o familiaridad con el producto (a base de utilizarlo repetidamente) sustituya la estricta observancia de las normas de seguridad para la sierra cortadora de metal. Si utiliza esta herramienta de forma no segura o incorrecta, podrá sufrir graves heridas personales.

- Utilice protección para los ojos.
- Mantenga las manos alejadas de la trayectoria del disco. Evite el contacto con cualquier disco que esté girando por inercia. Aún puede ocasionarle heridas graves.
- No utilice la sierra sin los protectores puestos. Verifique el protector de disco para confirmar que se cierra debidamente antes de cada uso. No utilice la sierra si el protector de disco no se mueve libremente y se cierra instantáneamente. No sujete ni ate el protector de disco en la posición abierta.
- No realice ninguna operación directamente con la mano. La pieza de trabajo debe estar firmemente asegurada con una prensa contra la base durante todas las operaciones. Nunca asegure la pieza de trabajo con la mano.
- No acerque nunca las manos alrededor del disco.
- Apague la herramienta y espere hasta que el disco de sierra pare antes de mover la pieza de trabajo o cambiar los ajustes.
- No utilice la herramienta en presencia de líquidos o gases inflamables.
- Inspeccione el disco cuidadosamente para ver si tiene grietas o daños antes de comenzar la operación. Reemplace el disco inmediatamente si está agrietado o dañado.
- Utilice solamente las bridas especificadas para esta herramienta.
- Tenga cuidado de no dañar el eje, bridas (especialmente la cara de instalación) ni el perno. Los daños en estas piezas podrían provocar la ruptura del disco.
- Asegúrese de que la base esté correctamente fijada para que no se mueva durante el funcionamiento. Utilice los orificios de la base para asegurar la sierra a una plataforma o banco de trabajo estable. NUNCA utilice la herramienta si la posición del operador es incómoda.
- Para su seguridad, quite todas las astillas, pequeñas piezas, etc. de la mesa de trabajo antes de utilizar la herramienta.
- Asegúrese de que el bloqueo del eje esté suelto antes de activar el interruptor.
- Asegúrese de que el disco no haga contacto con la base en su posición más baja.
- Sostenga firmemente la empuñadura. Tenga en cuenta que la sierra se mueve levemente hacia arriba o hacia abajo al iniciar y al finalizar el funcionamiento.
- Asegúrese de que el disco no esté haciendo contacto con la pieza de trabajo antes de activar el interruptor.
- Antes de utilizar la herramienta en una pieza de trabajo definitiva, déjela funcionar durante un rato. Observe para ver si hay vibración o bamboleo que pueda indicar una incorrecta instalación o un desequilibrio del disco.
- Espere hasta que el disco alcance plena velocidad antes de cortar.
- Pare la operación inmediatamente si nota algo anormal.
- No intente bloquear el gatillo en la posición activada (ON).
- Corte el suministro eléctrico y espere a que la hoja de la sierra se detenga antes de mover la pieza de trabajo o de hacer ajustes en la herramienta.

22. **Esté alerta en todo momento, especialmente durante las operaciones repetitivas y monótonas. No se deje llevar por una falsa sensación de seguridad. Los discos no perdonan nunca.**
23. **Utilice los accesorios recomendados en este manual. La utilización de accesorios no apropiados, tales como discos abrasivos, podría ocasionarle heridas.**
24. **No jale el cable. Nunca jale el cable para desconectarlo desde la toma de corriente. Mantenga el cable alejado del calor, aceite, agua o bordes cortantes.**
25. **Nunca intente cortar la pieza de trabajo menos de 14 (0.08") de grosor de calibre, salvo el conducto o la pieza de trabajo que no puede fijarse firmemente con una prensa. La pieza cortada podría quedar atrapada por la hoja y causar el corte peligroso de astillas y/o dañar las astillas de carburo. Se podrían ocasionar heridas de gravedad.**
26. **Desconecte la herramienta del tomacorriente antes de cambiar la hoja o realizar cualquier arreglo.**

GUARDE ESTAS INSTRUCCIONES.

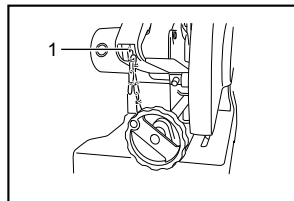
⚠ADVERTENCIA:

El uso incorrecto o el no seguir las normas de seguridad que se declaran en este instructivo podría resultar en lesiones personales graves.

INSTALACIÓN

Ubicación de la herramienta

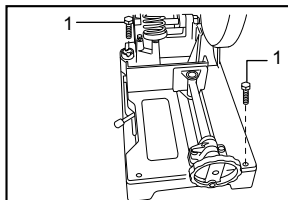
Cuando la herramienta es transportada desde la fábrica, la empuñadura se traba en la posición inferior. Libere la empuñadura de la posición inferior bajándolo levemente y quitando la cadena del gancho de la empuñadura.



1. Gancho

003771

Asegure la herramienta con dos pernos sobre una superficie plana y estable, utilizando los orificios de los pernos que se encuentran en la base de la herramienta. Esto ayudará a evitar vuelcos y posibles heridas.



1. Tornillo

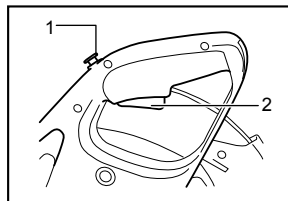
003772

DESCRIPCIÓN DEL FUNCIONAMIENTO

⚠PRECAUCIÓN:

- Asegúrese siempre de que la herramienta esté apagada y desconectada antes de ajustar o comprobar cualquier función en la misma.

Accionamiento del interruptor



1. Botón lock-off (bloqueador)
2. Gatillo interruptor

003773

⚠PRECAUCIÓN:

- Antes de conectar la herramienta, compruebe siempre que el gatillo interruptor se acciona debidamente y que vuelve a la posición "OFF" (apagado) cuando lo suelta.
- Cuando no utilice la herramienta, extraiga el botón lock-off y guárdelo en un lugar seguro. Esto evitará el uso no autorizado de la herramienta.

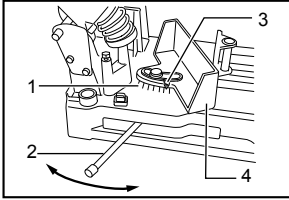
La herramienta posee un botón traba a fin de evitar que el gatillo interruptor se accione accidentalmente.

Para encender la herramienta, pulse este botón y accione el gatillo. Para detener la herramienta, suelte el gatillo interruptor.

Ajuste del ángulo de corte deseado

⚠PRECAUCIÓN:

- Ajuste siempre el perno hexagonal antes de cambiar el ángulo de corte.



003774

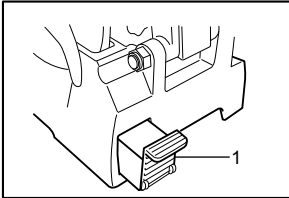
1. Graduación
2. Palanca
3. indicador
4. Tope de la prensa

Para cambiar el ángulo de corte, afloje la palanca. Mueva el tope de la prensa de modo tal que el indicador señale la graduación deseada. Luego ajuste la palanca para asegurar el tope de la prensa.

Recolección de polvo

⚠PRECAUCIÓN:

- Inmediatamente después de la operación, no toque ninguna parte de la caja de polvo salvo la empuñadura ya que puede estar extremadamente caliente y podría quemar su piel.



003775

1. Bolsa para polvo

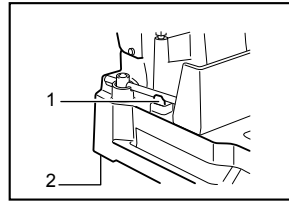
Esta herramienta está equipada con la caja recolectora de polvo que recoge polvo y astillas. Cuando la caja recolectora de polvo está llena, sostenga la empuñadura de la caja y elévela ligeramente. Luego retire la caja recolectora de polvo de la base de la herramienta. Vacíe el contenido de la caja recolectora de polvo.

ENSAMBLE

⚠PRECAUCIÓN:

- Asegúrese siempre de que la herramienta esté apagada y desconectada antes de realizar cualquier trabajo en la misma.

Almacenamiento de la llave tubo



003776

1. Portallaves
2. Base

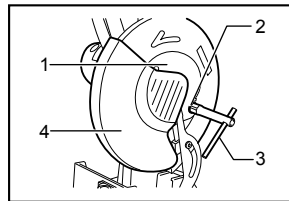
La llave de tubo se almacena tal como se muestra en la figura. Retírela del portallave cuando la utilice y vuelva a colocarla allí cuando termine.

Instalación o extracción del disco de sierra.

⚠PRECAUCIÓN:

- Cuando monte la hoja, asegúrese de que la dirección de la flecha sobre la superficie de la hoja coincida con la de la cubierta de la hoja.
- Para instalar o extraer la hoja, sólo utilice la llave tubo Makita provista. Si no lo hace, se podría ajustar demasiado o no lo suficiente el perno hexagonal. Esto podría provocar heridas personales.
- No toque la hoja inmediatamente después de operar la herramienta, puesto que puede estar extremadamente caliente y quemarle la piel.

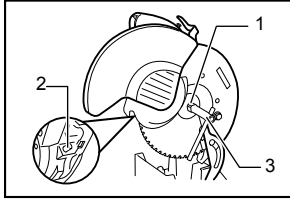
Para desmontar el disco, utilice la llave de tubo para aflojar el perno hexagonal que sujeta la cubierta central girándolo en el sentido contrario a las agujas del reloj. Suba el protector de disco y la cubierta central.



003777

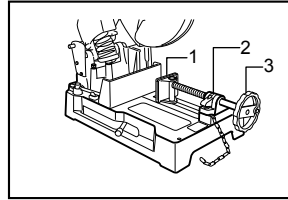
1. Cubierta central
2. Tornillo hexagonal
3. Llave de tubo
4. Protector de disco

Pulse la traba para trabar el eje y utilice la llave tubo para aflojar el perno hexagonal girando en sentido contrario a las agujas del reloj. Luego retire el perno hexagonal, la brida exterior y la hoja.



003778

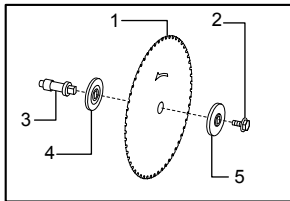
1. Tornillo hexagonal
2. Bloqueo del eje
3. Llave de tubo



003780

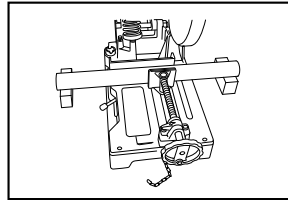
1. Placa de la mordaza
2. Tuerca de la mordaza
3. Empuñadura de la prensa

Para instalar la hoja monte la brida exterior, la hoja de sierra, la brida interior y el perno hexagonal en ese orden sobre el eje. Ajuste el perno hexagonal girando en el sentido de las agujas del reloj al tiempo que presiona la traba. Regrese la protección de la hoja y la cubierta central a la posición original. Luego ajuste el perno hexagonal en el sentido de las agujas del reloj para asegurar la cubierta central. Baje la empuñadura para asegurarse de que la protección de la hoja se mueva correctamente.



003801

1. Disco de sierra con punta de carburo
2. Tornillo hexagonal
3. Eje
4. Brida interior
5. Brida exterior



003781

OPERACIÓN

Operación de corte

⚠PRECAUCIÓN:

- Nunca intente cortar piezas de un calibre inferior a 14 (0,08") de ancho excepto tubos o piezas de trabajo que no puedan asegurarse firmemente con la prensa. La pieza cortada podría quedar atrapada por la hoja y causar el corte peligroso de astillas y/o dañar las puntas de carburo. Se podrían ocasionar heridas de gravedad.
- No ejerza demasiada presión sobre la empuñadura al cortar. El exceso de presión podría resultar en una sobrecarga del motor, en una disminución de la eficacia de cortado y/o daño en las puntas de carburo o en la misma hoja.
- Muy poca presión sobre la empuñadura puede ocasionar más chispas y un prematuro desgaste de la hoja.
- No toque la hoja, chispas, o la pieza de trabajo inmediatamente después de operar la herramienta, puesto que pueden estar extremadamente caliente y quemarle la piel.
- Si la hoja se detiene durante la operación, hace un ruido extraño o comienza a vibrar apague la herramienta de inmediato. Reemplace inmediatamente la hoja cuando ésta se encuentre rota o dañada.

Aseguramiento de la pieza

⚠PRECAUCIÓN:

- Siempre coloque la tuerca de la prensa completamente hacia la derecha cuando asegure la pieza de trabajo. El no hacerlo puede resultar en la falta de sujeción de la pieza de trabajo. Esto podría causar que la pieza de trabajo salga despedida o dañe la hoja.

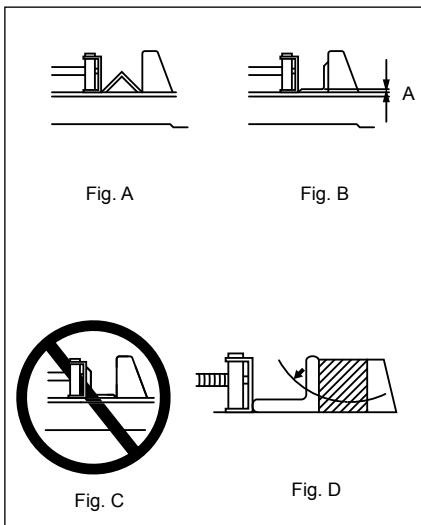
Girando la empuñadura de prensa en el sentido contrario a las agujas del reloj y luego volver la tuerca de la prensa hacia la izquierda, ésta se libera de las roscas del eje y se puede mover rápidamente hacia adentro y hacia afuera. Para sujetar la pieza, empuje la empuñadura hasta que la placa de la prensa haga contacto con dicha pieza. Vuelva la tuerca de la prensa hacia la derecha y luego gire la empuñadura en el sentido de las agujas del reloj para que la pieza quede sujeta con firmeza.

Sostenga la empuñadura con firmeza. Encienda la herramienta y espere hasta que la hoja alcance plena velocidad. Luego baje la empuñadura suavemente para acercarla a la pieza de trabajo. Cuando la hoja haga contacto, primero mueva con cuidado dentro del corte; luego en forma gradual inserte presión a medida que la posición de corte se estabilice. La presión que usted ejerza sobre la empuñadura debe ajustarse para producir la mínima cantidad de chispas.

Cuando se completa el corte, apague la herramienta y ESPERE HASTA QUE LA HOJA SE HAYA DETENIDO POR COMPLETO antes de regresar la empuñadura a la posición completamente elevada. Si se levantara la empuñadura mientras la hoja sigue girando, la pieza cortada podría quedar atrapada por la hoja, lo que causaría una peligrosa dispersión de astillas. Cuando sólo se corte una parte de la pieza de trabajo, levante la empuñadura mientras la hoja sigue rotando. El apagado durante el corte puede dañar las puntas de carburo al hacer contacto con la pieza de trabajo.

Corte de ángulos

Asegure la pieza de trabajo en la prensa como se ilustra en la Figura A y proceda a cortarla. La duración de la hoja de la sierra disminuirá si la pieza se corta como en la Figura B.



003782

⚠️ PRECAUCIÓN:

- NO corte la pieza de trabajo como se ilustra en la Figura C puesto que esto podría causar que saliera despedida de la prensa, lo que probablemente ocasionaría heridas.

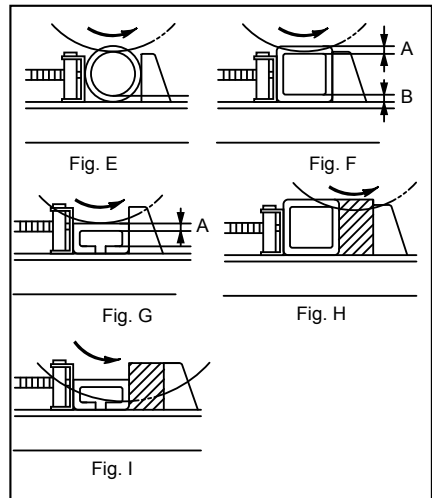
La hoja de la sierra se gastará más cuando se corte el área A de la Figura B. Coloque un tope de madera contra la pieza como se ilustra en la Fig. D de modo tal que la hoja de la sierra entre en el área A con ángulo. Esto ayudará a que se prolongue la vida útil de la hoja.

Las dimensiones de corte permitidas se reducen cuando se utiliza un tope de madera. Utilice un tope de madera cuyas dimensiones sean equivalentes a las dimensiones de corte máximas permitidas menos las dimensiones de la pieza de trabajo a cortar. Esto además minimizará la disminución de la vida útil de la hoja de la sierra.

Corte de tubos, cuadrados y canales.

La hoja de la sierra se gastará más cuando se corten las áreas A y B de las Figuras F y G. Coloque un tope de madera contra la pieza de trabajo como se ilustra en las Figuras H e I de modo tal que la hoja de la sierra entre en las áreas A y B en ángulo. Esto ayudará a que se minimice la disminución de la vida útil de la hoja.

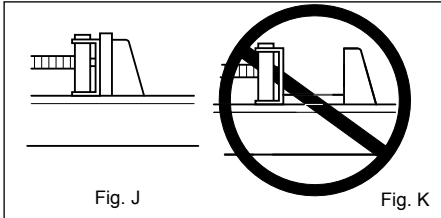
Las dimensiones de corte permitidas se reducen cuando se utiliza un tope de madera. Utilice un tope de madera cuyas dimensiones sean equivalentes a las dimensiones de corte máximas permitidas menos las dimensiones de la pieza de trabajo a cortar. Esto además minimizará la disminución de la vida útil de la hoja de la sierra.



003783

Corte de rectángulos

Asegure la pieza de trabajo en la prensa como se ilustra en la figura J y proceda a cortarla.



003784

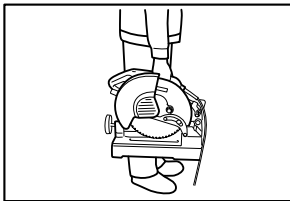
⚠️PRECAUCIÓN:

- NO corte la pieza de trabajo como se ilustra en la Figura K puesto que esto podría causar que saliera despedida de la prensa, lo que probablemente ocasionaría heridas.

Transporte de la herramienta

⚠️PRECAUCIÓN:

- Antes de transportar la herramienta, deberá ajustarse la cadena de transporte para minimizar la zona accesible de la hoja de la sierra.



003785

Doble la cabeza de la herramienta hacia abajo hasta la posición en que pueda engancharla al gancho de la empuñadura. Tome la manija de transporte cuando transporte la herramienta.

MANTENIMIENTO

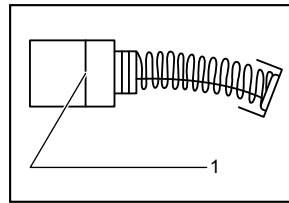
⚠️PRECAUCIÓN:

- Asegúrese siempre que la herramienta esté apagada y desconectada antes de intentar realizar una inspección o mantenimiento.

Reemplazo de la hoja de sierra

El uso continuado de una hoja desafilada y gastada puede causar la sobrecarga del motor y disminuir la eficacia de corte. Reemplácela con una hoja nueva en cuanto note que no corta bien.

Reemplazamiento de las escobillas de carbón

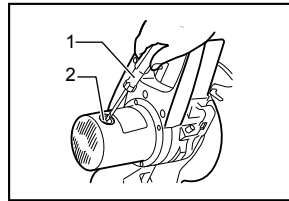


001145

1. Marca límite

Extraiga e inspeccione de forma periódica las escobillas de carbón. Sustitúyalas cuando se hayan gastado hasta la marca límite. Mantenga las escobillas de carbón limpias de forma que entren libremente en los portaescobillas. Ambas escobillas de carbón deberán ser sustituidas al mismo tiempo. Utilice únicamente escobillas de carbón originales e idénticas.

Utilice un destornillador para quitar las tapas de los portaescobillas. Extraiga las escobillas gastadas, inserte las nuevas y vuelva a colocar los tapas.



003786

1. Destornillador
2. Tapa del carbón

Para mantener la SEGURIDAD y FIABILIDAD del producto, las reparaciones, y cualquier otra tarea de mantenimiento o ajuste deberán ser realizadas en Centros de Servicio Autorizados por Makita, empleando siempre repuestos Makita.

ACCESORIOS

⚠️PRECAUCIÓN:

- Estos accesorios o aditamentos están recomendados para utilizar con su herramienta Makita especificada en este manual. El empleo de cualesquiera otros accesorios o acoplamientos conllevará un riesgo de sufrir heridas personales. Utilice los accesorios o acoplamientos solamente para su fin establecido.

Si necesita cualquier ayuda para más detalles en relación con estos accesorios, pregunte a su centro de servicio Makita local.

- Llave tubo 17
- Gafas de protección
- Botón lock-off (botón interruptor)

- Hoja de sierra con punta de carburo
- Hoja de sierra con punta de carburo de 305 mm (12") y rango de piezas de trabajo

Parte No.	Número de dientes	Aplicación	Pieza de trabajo aplicable y rango de grosores				
			Ángulos	Tubos	Canales	Tubos de acero inoxidable	Ángulos de acero inoxidable
A-90532	60	Acero templado	5/32" o más	1/8"-13/64"	5/32" o más	NA	NA
A-90722	60	Acero templado (tipo ruido reducido)	5/32" o más	1/8"-13/64"	5/32" o más	NA	NA
A-90875	78	Acero templado delgado	1/8"-15/64"	3/64"-13/64"	5/64" o más	NA	NA
A-90847	78	Acero inoxidable	1/8"-15/64"	3/64"-13/64"	5/32" o más	3/64"-13/64"	1/8"-5/32"

(NA.....No aplica)

006943

PRECAUCIÓN:

- Siempre utilice hojas de sierra adecuadas con puntas de carburo para hacer su trabajo. No corte aluminio, madera, plástico, cemento, mosaico, etc.
- Las hojas de sierra con puntas de carburo para sierras que cortan metal no pueden volver a afilarse.

GARANTÍA LIMITADA MAKITA DE UN AÑO

Ésta Garantía no aplica para México

Política de garantía

Cada herramienta Makita es inspeccionada y probada exhaustivamente antes de salir de fábrica. Se garantiza que va a estar libre de defectos de mano de obra y materiales por el periodo de UN AÑO a partir de la fecha de adquisición original. Si durante este periodo de un año se desarrollase algún problema, retorne la herramienta COMPLETA, porte pagado con antelación, a una de las fábricas o centros de servicio autorizados Makita. Si la inspección muestra que el problema ha sido causado por mano de obra o material defectuoso, Makita la reparará (o a nuestra opción, reemplazará) sin cobrar.

Esta garantía no será aplicable cuando:

- se hayan hecho o intentado hacer reparaciones por otros:
- se requieran reparaciones debido al desgaste normal:
- la herramienta haya sido abusada, mal usada o mantenido indebidamente:
- se hayan hecho alteraciones a la herramienta.

EN NINGÚN CASO MAKITA SE HARÁ RESPONSABLE DE NINGÚN DAÑO INDIRECTO, FORTUITO O CONSECUENCIAL DERIVADO DE LA VENTA O USO DEL PRODUCTO.

ESTA RENUNCIA SERÁ APLICABLE TANTO DURANTE COMO DESPUÉS DEL TÉRMINO DE ESTA GARANTÍA.

MAKITA RENUNCIA LA RESPONSABILIDAD POR CUALQUIER GARANTÍA IMPLÍCITA, INCLUYENDO GARANTÍAS IMPLÍCITAS DE "COMERCIALIDAD" E "IDONEIDAD PARA UN FIN ESPECÍFICO", DESPUÉS DEL TÉRMINO DE UN AÑO DE ESTA GARANTÍA.

Esta garantía le concede a usted derechos legales específicos, y usted podrá tener también otros derechos que varían de un estado a otro. Algunos estados no permiten la exclusión o limitación de daños fortuitos o consecuenciales, por lo que es posible que la antedicha limitación o exclusión no le sea de aplicación a usted. Algunos estados no permiten limitación sobre la duración de una garantía implícita, por lo que es posible que la antedicha limitación no le sea de aplicación a usted.

EN0006-1

< USA only >

WARNING

Some dust created by power sanding, sawing, grinding, drilling, and other construction activities contains chemicals known to the State of California to cause cancer, birth defects or other reproductive harm. Some examples of these chemicals are:

- lead from lead-based paints,
- crystalline silica from bricks and cement and other masonry products, and
- arsenic and chromium from chemically-treated lumber.

Your risk from these exposures varies, depending on how often you do this type of work. To reduce your exposure to these chemicals: work in a well ventilated area, and work with approved safety equipment, such as those dust masks that are specially designed to filter out microscopic particles.

< USA solamente >

ADVERTENCIA

Algunos tipos de polvo creados por el lijado, serrado, amolado, taladrado, y otras actividades de la construcción contienen sustancias químicas reconocidas por el Estado de California como causantes de cáncer, defectos de nacimiento y otros peligros de reproducción. Algunos ejemplos de estos productos químicos son:

- plomo de pinturas a base de plomo,
- sílice cristalino de ladrillos y cemento y otros productos de albanilería, y
- arsénico y cromo de maderas tratadas químicamente.

El riesgo al que se expone variará, dependiendo de la frecuencia con la que realice este tipo de trabajo. Para reducir la exposición a estos productos químicos: trabaje en un área bien ventilada, y pongase el equipo de seguridad indicado, tal como esas mascarillas contra el polvo que están especialmente diseñadas para filtrar partículas microscópicas.

Makita Corporation

3-11-8, Sumiyoshi-cho,
Anjo, Aichi 446-8502 Japan

Free Manuals Download Website

<http://myh66.com>

<http://usermanuals.us>

<http://www.somanuals.com>

<http://www.4manuals.cc>

<http://www.manual-lib.com>

<http://www.404manual.com>

<http://www.luxmanual.com>

<http://aubethermostatmanual.com>

Golf course search by state

<http://golfingnear.com>

Email search by domain

<http://emailbydomain.com>

Auto manuals search

<http://auto.somanuals.com>

TV manuals search

<http://tv.somanuals.com>