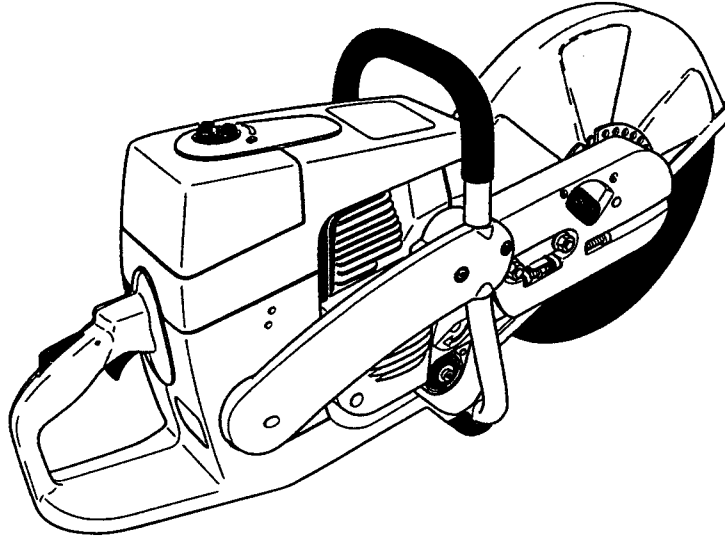




12" Power Cutter    Model DPC6200  
14" Power Cutter    Model DPC6201



**IMPORTANT!** - To assure product SAFETY and RELIABILITY, repairs, maintenance or adjustments should be performed by MAKITA Service Centers, or other qualified service organizations. Always use MAKITA replacement parts.

**Contents:**

- 1) Tank and Handle Grips
- 2) Hood, Air Filter, and Muffler
- 3) Carburetor
- 4) Starter, and Ignition
- 5) Cylinder, Crankshaft, and Clutch
- 6) Cutting Device, and Protection Hood
- 7) Accessories

# 1) Tank and Handle Grips

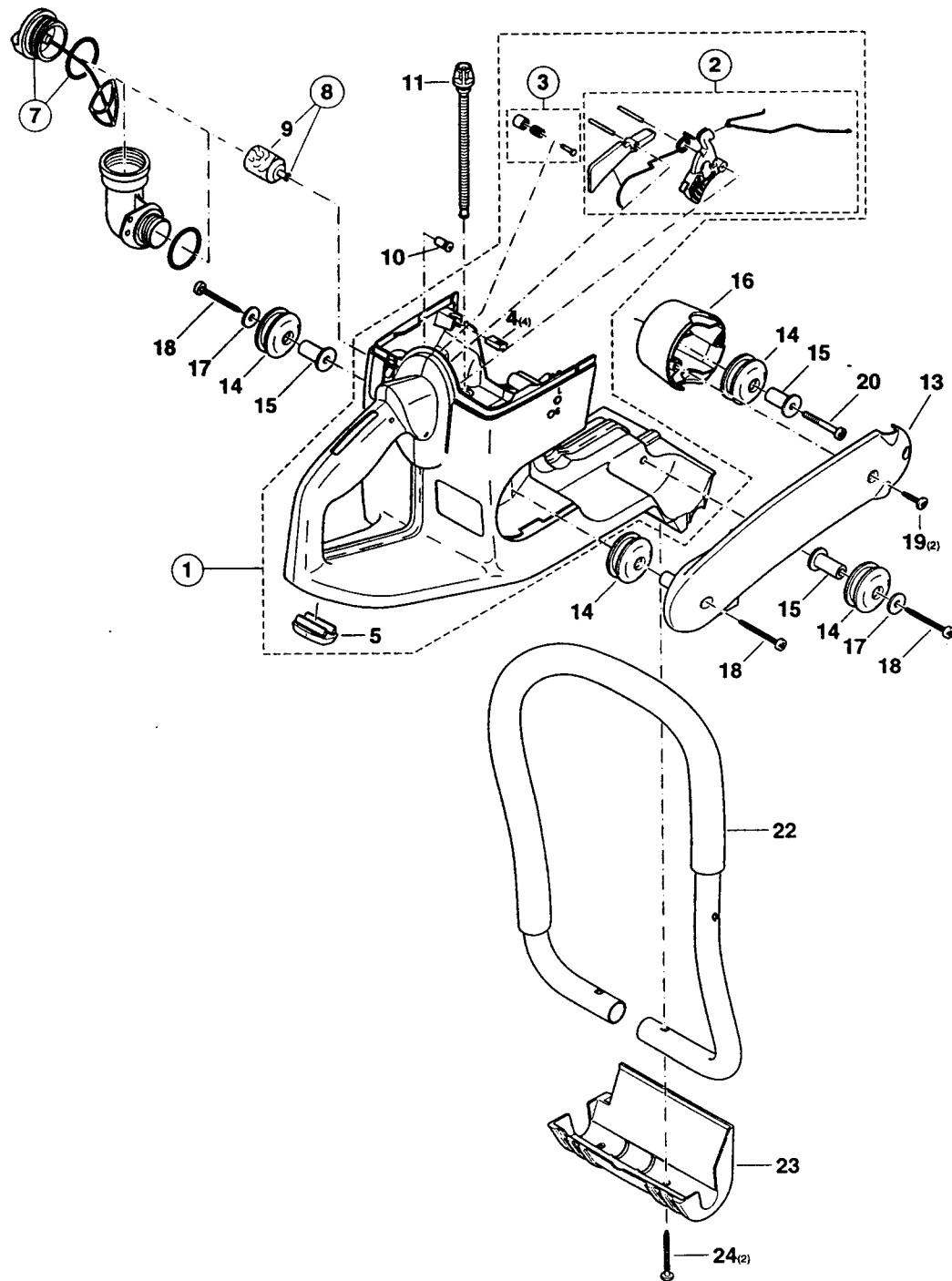


Fig.	Part No.	Qty. Used	Description	Fig.	Part No.	Qty. Used	Description
1	394-114-630	1	TANK CPL.	14	965-403-532	4	RUBBER BUFFER
2	957-117-020	1	THROTTLE MECHANISM CPL.	15	394-114-031	3	AXLE
3	957-117-030	1	HALF-THROTTLE LOCK, CPL.	16	394-114-050	1	POT
4	394-114-100	4	SCREW PLUG	17	924-405-500	2	WASHER 5.5
5	394-114-070	1	RUBBER FOOT	18	913-455-454	3	SCREW 5.5X45
7	010-114-046	1	TANK PLUG CPL. FUEL	19	913-455-204	2	SCREW 5.5X20
8	963-601-120	1	SUCTION HEAD	20	908-305-405	1	SCREW M5X20X40
9	963-601-240	1	FELT	22	394-310-100	1	WRAP AROUND HANDLE
10	010-245-010	1	AIR VALVE CPL.	23	394-114-060	1	FOOT
11	965-404-910	1	FUEL LINE	24	913-455-454	2	SCREW 5.5X45
13	394-114-640	1	BRACKET				

2 Model DPC6200  
DPC6201

07-98

## 2) Hood, Air Filter, and Muffler

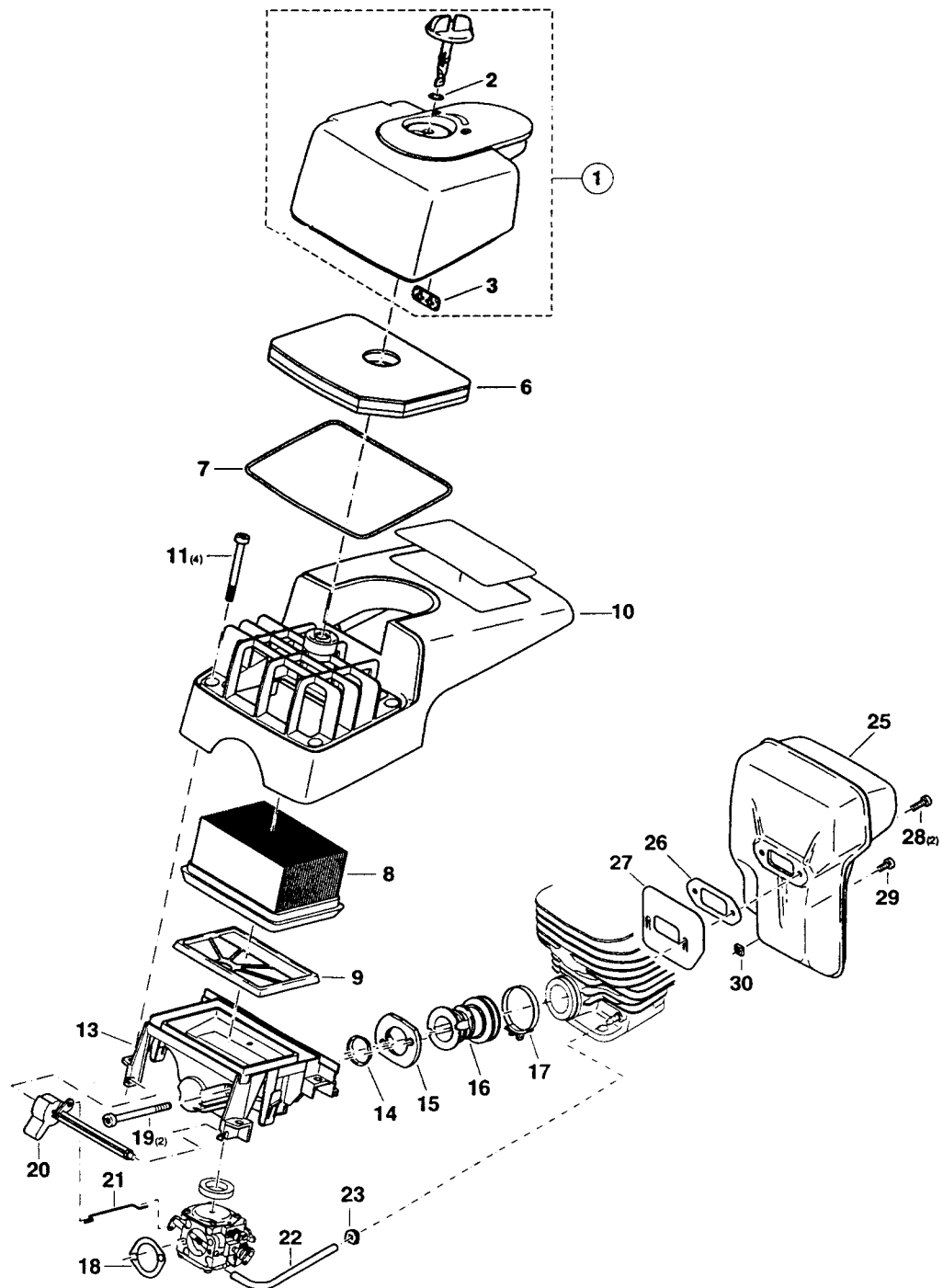


Fig.	Part No.	Qty. Used	Description	Fig.	Part No.	Qty. Used	Description
1	394-118-070	1	FILTER COVER ASS'Y	17	965-603-050	1	CLAMP
2	963-206-016	1	PACKING RING	18	965-518-090	1	GASKET
3	394-118-060	1	INSERT	19	908-505-555	2	SCREW M5X55
6	394-173-030	1	PREFILTER	20	394-150-030	1	CHOKE SHAFT
7	394-118-020	1	PACKING RING	21	394-150-040	1	CHOKE SHAFT
8	394-173-010	1	AIR FILTER	22	965-452-380	1	TUBE (116MM)
9	394-173-020	1	INNER FILTER	23	965-401-016	1	RUBBER BUSH
10	394-118-040	1	HOOD CPL.	25	394-174-010	1	MUFFLER
11	908-505-555	4	SCREW M5X55	26	965-531-130	1	GASKET
13	394-171-011	1	CONNECTING SLEEVE	27	394-174-050	1	COVER PLATE
14	024-131-031	1	INSERT FOR SUCTION HOSE	28	908-405-145	2	SCREW M5X14
15	394-171-030	1	FLANGE CPL.	29	908-005-095	1	SCREW M5X9
16	394-131-100	1	SUCTION LINE	30	921-905-004	1	SQUARE NUT M5

### 3) Carburetor

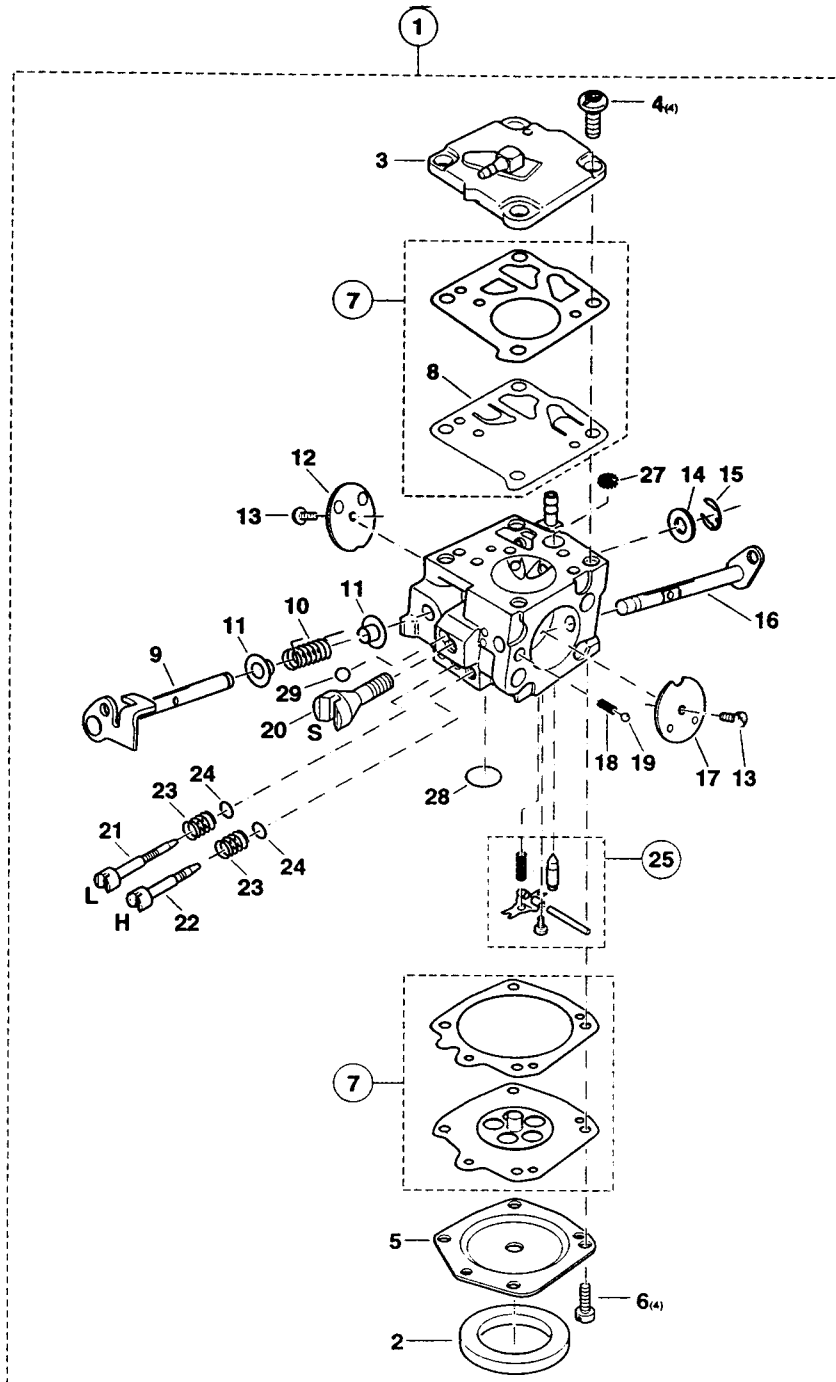


Fig.	Part No.	Qty. Used	Description	Fig.	Part No.	Qty. Used	Description
1	394-150-050	1	CARBURETOR W/GASKET	15	100-150-350	1	SAFETY WASHER
2	965-402-970	1	GASKET	16	394-150-250	1	CHOKE SHAFT
3	394-150-160	1	PUMP COVER CPL.	17	113-150-261	1	CHOKE SHUTTER
4	394-150-170	4	FILLISTER HEAD SCREW	18	101-150-080	1	LOCKING SPRING
5	394-150-120	1	DIAPHRAGM COVER	19	113-150-380	1	LOCKING BALL
6	001-150-520	4	SCREW	20	394-150-570	1	IDLE STOP SCREW (S)
7	957-150-100	1	SET DIAPHRAGM/GASKETS	21	394-150-470	1	IDLE ADJUSTMENT SCREW (L)
8	113-150-150	1	PUMP DIAPHRAGM, RUBBER	22	394-150-510	1	MAIN ADJUSTMENT SCREW (H)
9	394-150-300	1	THROTTLE SHAFT	23	144-151-480	2	SPRING
10	394-150-310	1	SPRING	24	394-150-500	2	PACKING RING
11	144-151-315	2	BUSHING	25	957-150-160	1	SET OF CONTROL PARTS
12	144-151-320	1	THROTTLE SHUTTER	27	394-150-180	1	SCREEN
13	001-150-650	2	SCREW	28	113-150-040	1	COVER DISC
14	122-151-400	1	DISC	29	001-150-510	1	LOCKING BALL

4 Model DPC6200  
DPC6201

07-98

## 4) Starter, and Ignition

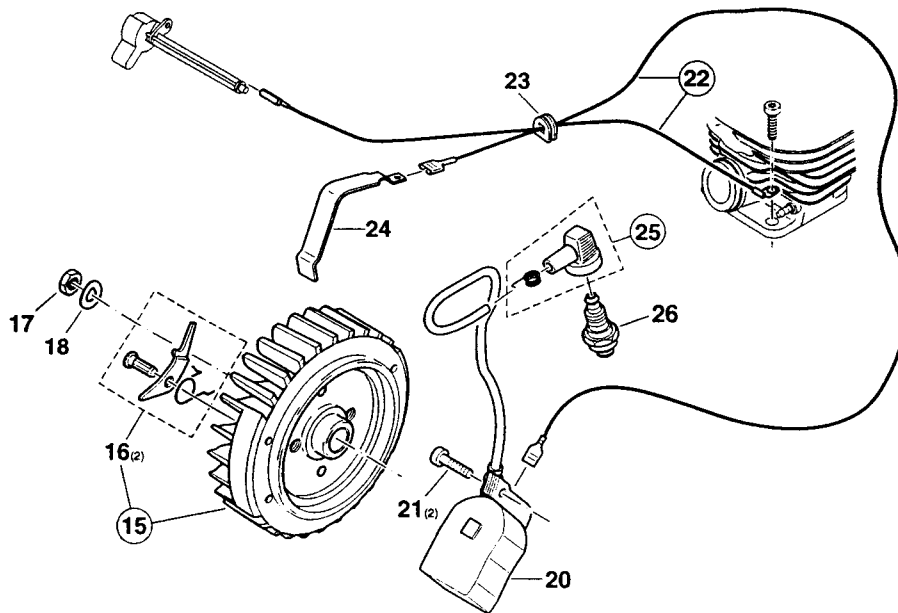
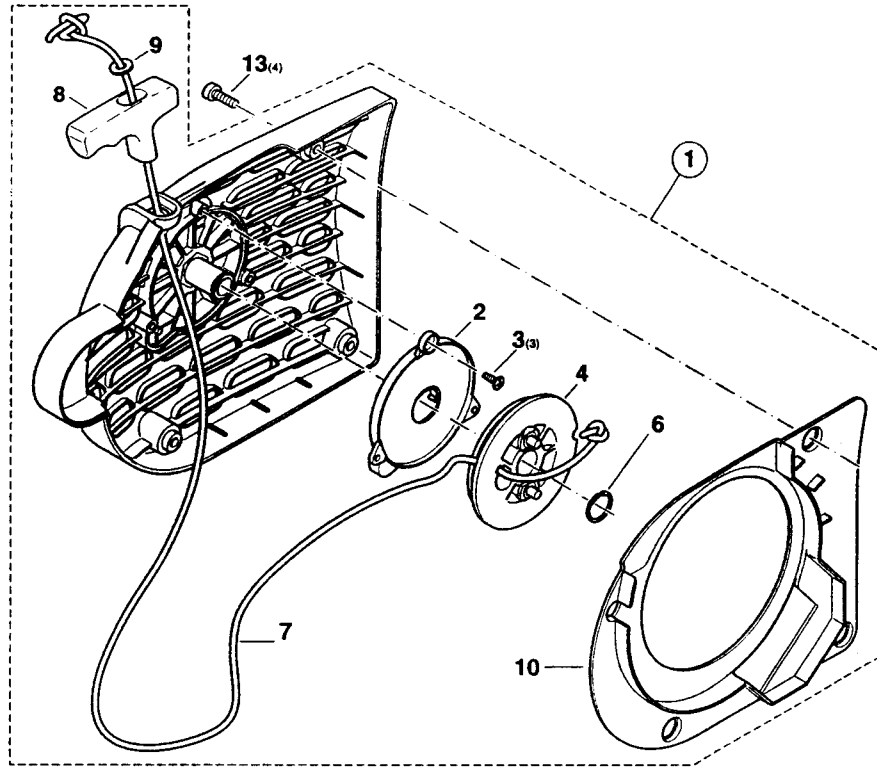


Fig.	Part No.	Qty. Used	Description	Fig.	Part No.	Qty. Used	Description
1	394-112-060	1	STARTER ASS'Y	15	394-141-030	1	FLYWHEEL ASS'Y
2	020-163-031	1	REWIND SPRING	16	031-166-010	2	STARTER RATCHET CPL.
3	915-135-100	3	THREAD FORMING SCREW 3.5X9.5	17	920-308-024	1	HEXAGONAL NUT M8X1
4	024-162-081	1	CABLE DRUM	18	926-208-001	1	SPRING WASHER
6	929-314-100	1	SNAP RING	20	394-143-010	1	IGNITION COIL
7	108-164-020	1	STARTER ROPE 3.5X 980MM	21	908-605-205	2	SCREW M5X20
8	965-402-262	1	STARTER GRIP	22	965-605-430	1	CABLE WITH PLUG
9	928-405-000	1	DISC	23	965-401-016	1	RUBBER BUSH
10	394-112-020	1	AIR GUIDE PLATE	24	394-146-010	1	CONTACT SPRING
13	908-005-165	4	SCREW M5X16	25	957-604-240	1	SPARK PLUG CAP CPL.
				26	965-603-021	1	SPARK PLUG

# 5) Cylinder, Crankshaft, and Clutch

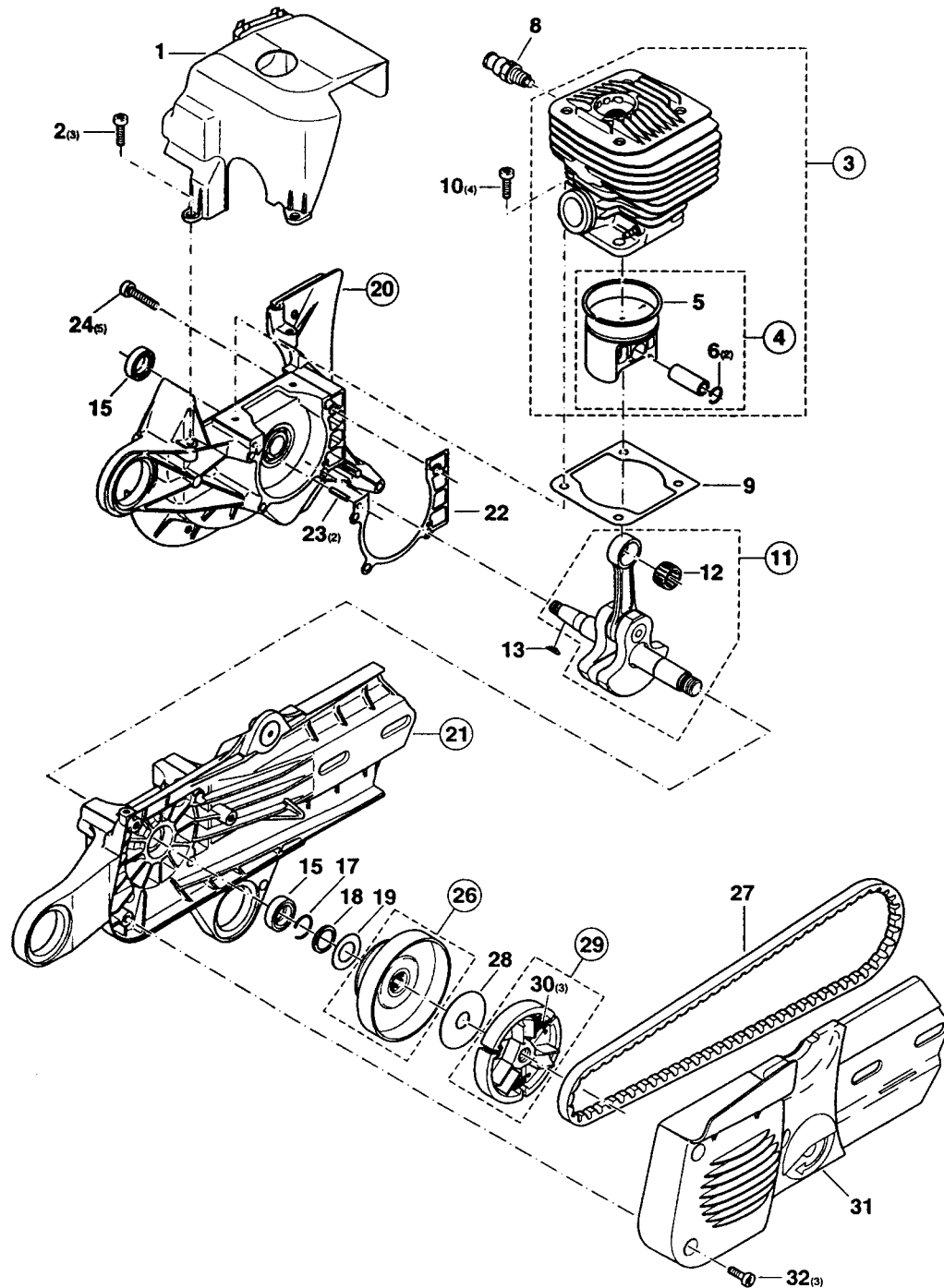


Fig.	Part No.	Qty. Used	Description	Fig.	Part No.	Qty. Used	Description
1	394-131-040	1	HOOD	18	001-245-320	1	STOP RING
2	908-005-165	3	SCREW M5X16	19	394-182-020	1	GUIDE DISC
3	325-130-010	1	CYLINDER/PISTON CPL.	20	394-111-110	1	CRANKCASE MAG. SIDE
4	325-132-110	1	PISTON CPL.	21	394-111-120	1	CRANKCASE CLUTCH SIDE
5	325-132-020	1	PISTON RING	22	965-531-110	1	GASKET
6	119-132-060	2	SPRING RING	23	936-430-160	2	SPIRAL CLAMPING PIN
8	001-131-150	1	DECOMPRESSION VALVE	24	908-005-305	5	SCREW M5X30
9	965-531-120	1	GASKET	26	394-223-021	1	CLUTCH DRUM ASS'Y
10	908-005-205	4	SCREW M5X20	27	965-300-460	1	V-BELT
11	394-120-010	1	CRANKSHAFT CPL.	28	024-182-060	1	GUIDE DISC
12	962-210-015	1	NEEDLE CAGE	29	010-180-020	1	CLUTCH ASS'Y
13	939-630-370	1	KEY	30	024-184-021	3	CLUTCH SPRING
15	962-900-052	2	RADIAL RING 15/24X7	31	394-213-010	1	COVER
17	930-916-160	1	SPRING RING	32	908-605-145	3	SCREW M5X14

## 6) Cutting Device, and Protection Hood

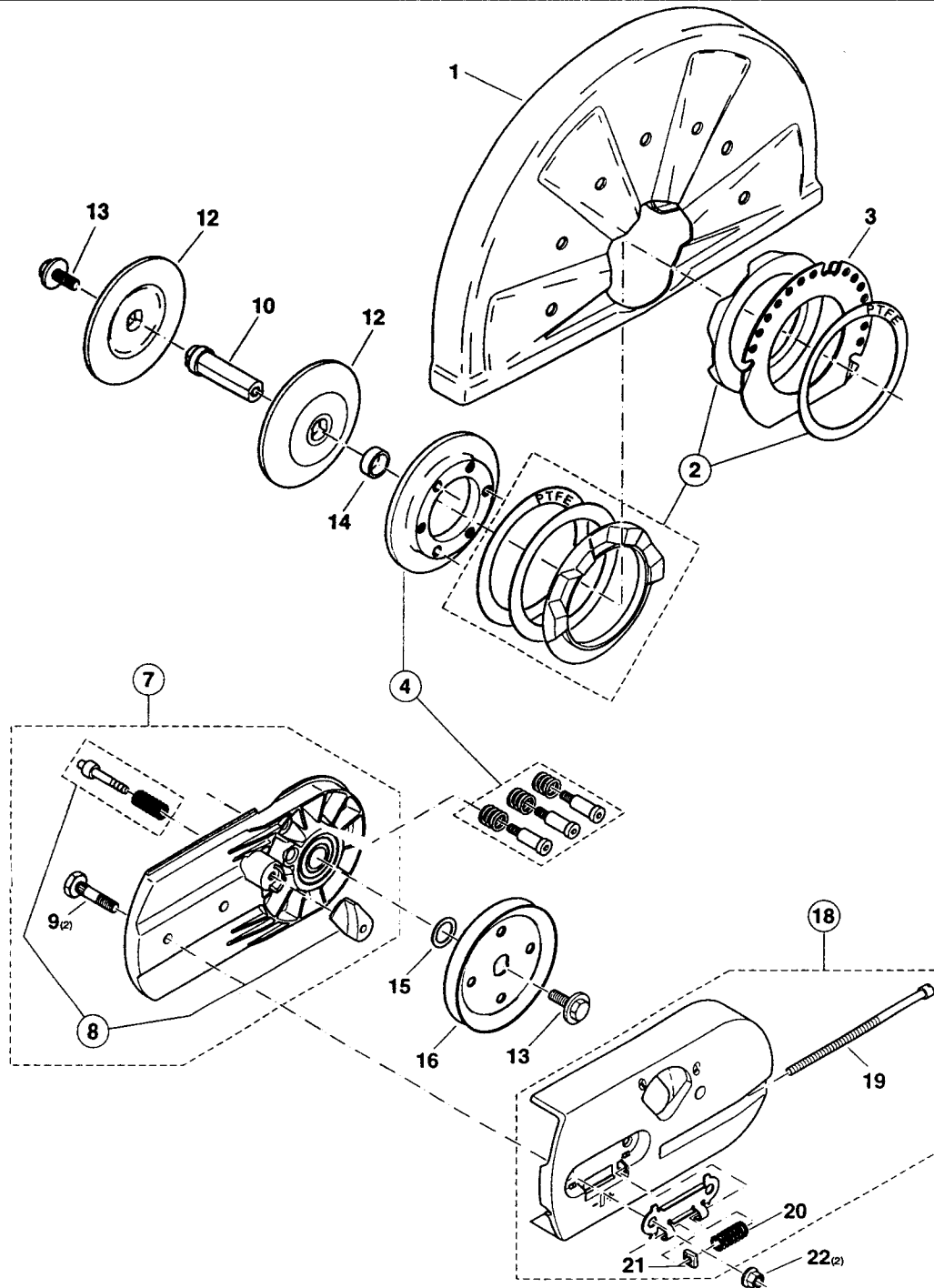


Fig.	Part No.	Qty. Used	Description	Fig.	Part No.	Qty. Used	Description
1	325-341-610	1	12" PROTECTION HOOD, DPC6200	10	394-228-110	1	14" AXLE, DPC6201
1	394-341-010	1	14" PROTECTION HOOD, DPC6201	12	394-228-061	2	PRESSURE DISC
2	957-342-010	1	PROT. HOOD MOUNTING CPL.	13	989-280-251	2	HEXAGONAL SCREW M8X25
3	394-342-010	1	LOCKING PLATE	14	394-228-020	1	SPACER
4	394-342-200	1	PRESSURE RING CPL.	15	900-006-179	1	DISC
7	394-211-110	1	CUTTING DEVICE ASS'Y	16	394-221-010	1	V-BELT PULLEY
8	957-211-020	1	BOLT CPL.	18	394-211-100	1	COVER CPL.
9	394-211-090	2	SCREW	19	394-213-030	1	TENSIONING SCREW
10	394-228-100	1	12" AXLE, DPC6200	20	394-342-120	1	PRESSURE SPRING
				21	921-906-004	1	SQUARE NUT M6
				22	923-208-004	2	HEXAGONAL NUT M8

## 7) Accessories

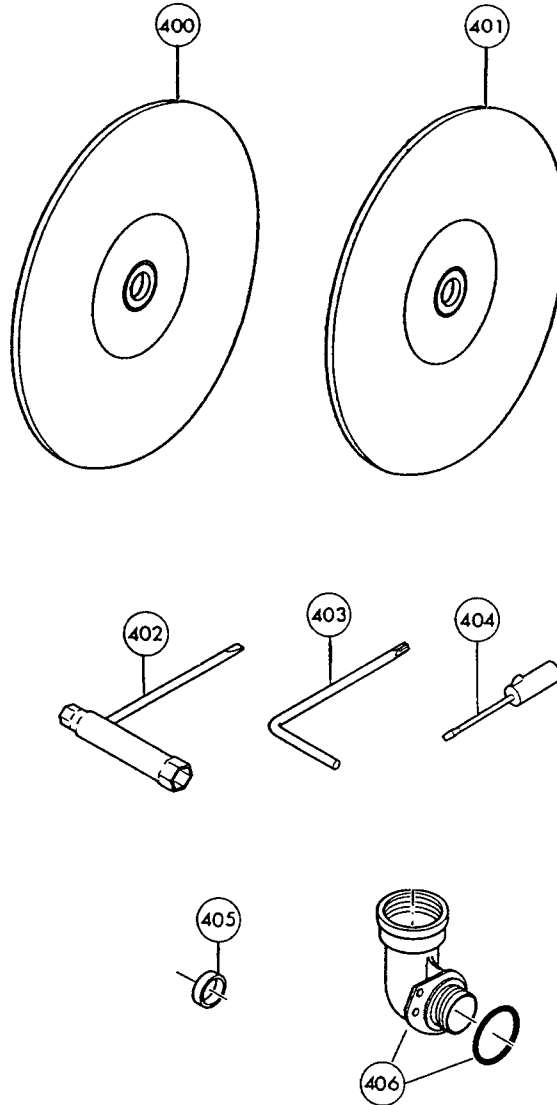


Fig.	Part No.	Qty. Used	Description	Fig.	Part No.	Qty. Used	Description
400	965-210-611	1	12" STEEL WHEEL, DPC6200	402	941-719-140	1	UNIVERSAL WRENCH
400	965-210-212	1	14" STEEL WHEEL, DPC6201	403	940-827-000	1	ANGLED SCREW DRIVER
401	965-210-621	1	12" STONE WHEEL, DPC6200	404	944-340-001	1	SCREW DRIVER
401	965-210-222	1	14" STONE WHEEL, DPC6201	405	392-228-040	1	ADAPTER
				406	010-114-080	1	ANGULAR UNION ASS'Y



## Free Manuals Download Website

<http://myh66.com>

<http://usermanuals.us>

<http://www.somanuals.com>

<http://www.4manuals.cc>

<http://www.manual-lib.com>

<http://www.404manual.com>

<http://www.luxmanual.com>

<http://aubethermostatmanual.com>

Golf course search by state

<http://golfingnear.com>

Email search by domain

<http://emailbydomain.com>

Auto manuals search

<http://auto.somanuals.com>

TV manuals search

<http://tv.somanuals.com>