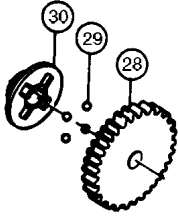


02-2001
6095DQ* Discontinued in 1992

SERVICE CHANGES

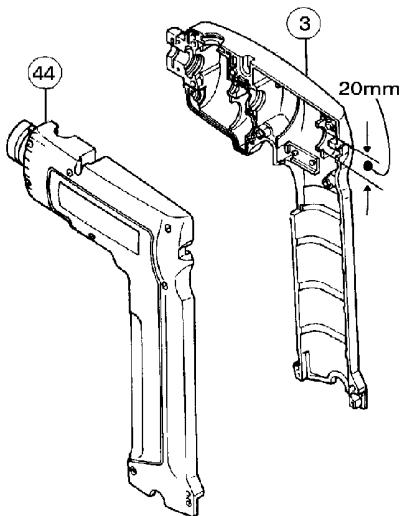
1. Change on Spur Gear, Steel Ball & Clutch Cam.



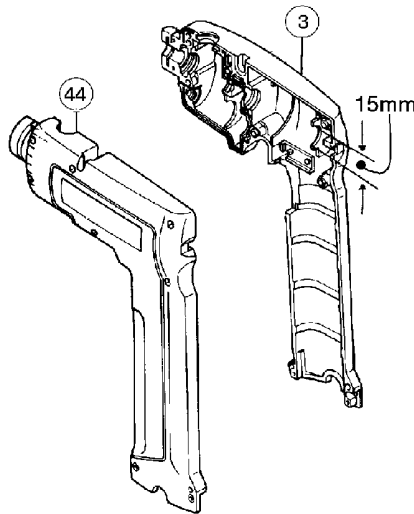
Item No.	Description	Type 1	Type 2
28	Spur Gear 89	221883-7	226233-1
29	Steel Ball	216002-8 (4.8)	216011-7 (5.6)
30	Clutch Cam	223059-2	223086-9
	Serial No. 6095D	~ 500353E	500354E ~
	Serial No. 6095DW	~ 34715E	34716E ~

2. Change on Housing.

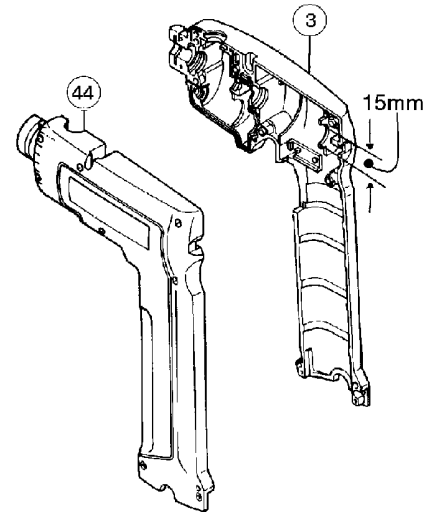
Type 1



Type 2



Type 3



Item No.	Description	Type 1 (MJ)	Type 2 (MME)	Type 3 (MCP)
3	Housing (R)	414391-7 (No Longer Available)	415007-7	183055-1 Set (415007-7A)
44	Housing (L)	414392-5 (No Longer Available)	415008-5	183055-1 Set (415008-5A)

3 Model 6095D
 3 Model 6095DQ*
 3 Model 6095DW
 3 Model 6095DWE
 3 Model 6095DWBE
 3 Model 6095DWL-2

Free Manuals Download Website

<http://myh66.com>

<http://usermanuals.us>

<http://www.somanuals.com>

<http://www.4manuals.cc>

<http://www.manual-lib.com>

<http://www.404manual.com>

<http://www.luxmanual.com>

<http://aubethermostatmanual.com>

Golf course search by state

<http://golfingnear.com>

Email search by domain

<http://emailbydomain.com>

Auto manuals search

<http://auto.somanuals.com>

TV manuals search

<http://tv.somanuals.com>