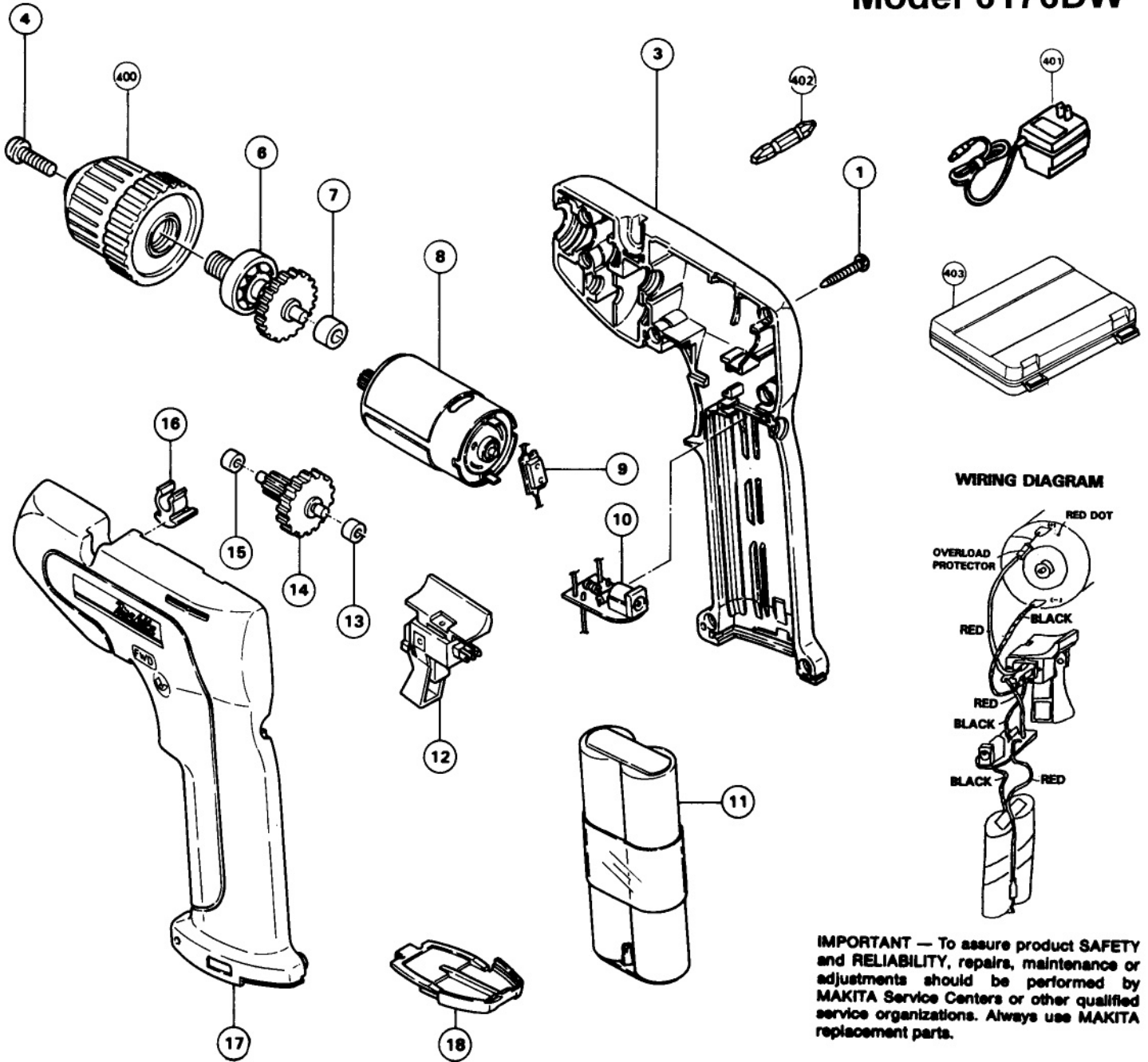


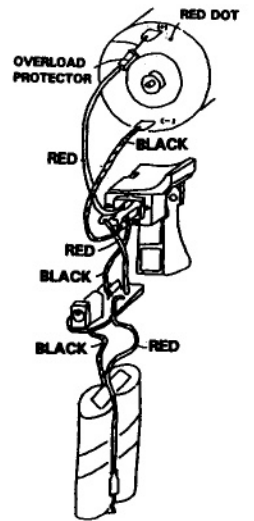


# 3/8" CORDLESS DRILL

Model 6176D  
Model 6176DW



### WIRING DIAGRAM



**IMPORTANT** — To assure product **SAFETY** and **RELIABILITY**, repairs, maintenance or adjustments should be performed by **MAKITA** Service Centers or other qualified service organizations. Always use **MAKITA** replacement parts.

Fig.	Part No.	Qty. Used	Description	Fig.	Part No.	Qty. Used	Description
1	265837-4	7	TAPPING SCREW M3X20	14	226048-6	1	GEAR COMPLETE 13-58
3	415232-0	1	HOUSING SET (WITH FIG.17)	15	214016-1	1	PLANE BEARING 3
4	265998-0	1	C.H.S. SCREW M5X21	16	411640-3	1	HOLDER 6
6	153155-1	1	GEAR ASS'Y	17	415232-0	1	HOUSING SET (INCL. FIG.3)
7	214017-9	1	PLANE BEARING 5	18	415231-2	1	COVER
8	629651-6	1	DC MOTOR 7.2V (INCL. SPUR GEAR 221851-0)				
9	652685-4	1	OVERLOAD PROTECTOR	<b>ACCESSORIES</b>			
10	631160-3	1	CIRCUIT BOARD	400	763110-1	1	KEYLESS DRILL CHUCK
11	678103-4	1	BATTERY	401	155721-0	1	3-HOUR CHARGER DC7020
12	651908-7	1	SWITCH	402	784202-3	1	PHILLIPS BIT
13	214016-1	1	PLANE BEARING 3	403	824417-1	1	PLASTIC TOOL CASE

## Free Manuals Download Website

<http://myh66.com>

<http://usermanuals.us>

<http://www.somanuals.com>

<http://www.4manuals.cc>

<http://www.manual-lib.com>

<http://www.404manual.com>

<http://www.luxmanual.com>

<http://aubethermostatmanual.com>

Golf course search by state

<http://golfingnear.com>

Email search by domain

<http://emailbydomain.com>

Auto manuals search

<http://auto.somanuals.com>

TV manuals search

<http://tv.somanuals.com>