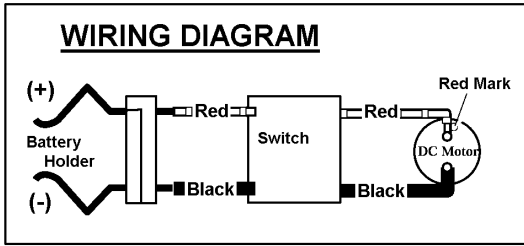
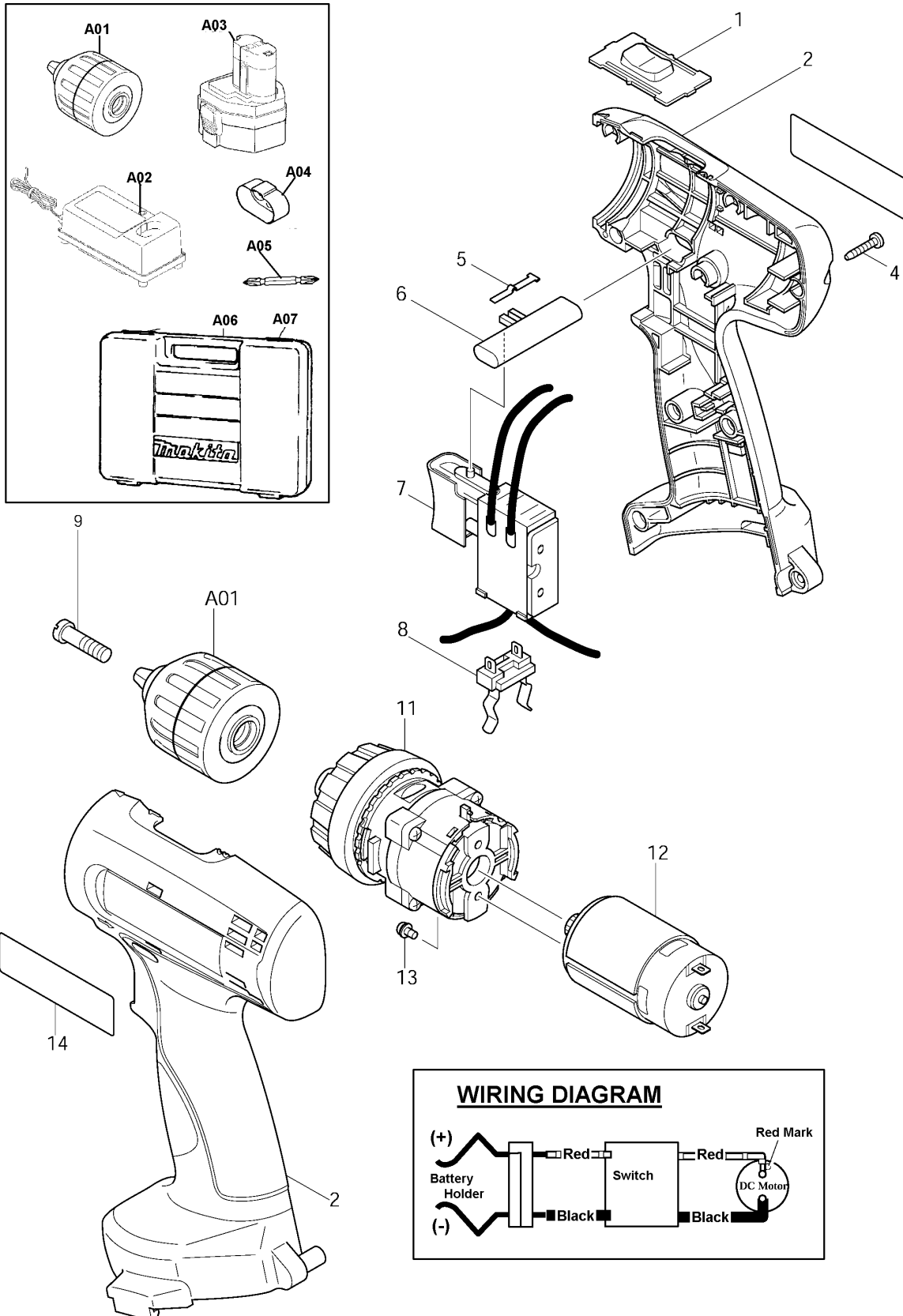




9.6V - 3/8" DRIVER DRILL
12V - 3/8" DRIVER DRILL
14.4V - 3/8" DRIVER DRILL

Model 6260DWPE (MKC)
Model 6270DWPE (MKC)
Model 6280DWPE (MKC)



Item No.	Part No.	No. Used	Description	Item No.	Part No.	No. Used	Description
1	125102-2	1	Speed Change Lever Assy	Accessories			
2	183793-5	1	Housing Set (6260D) (Includes Item 14)	A01	763185-0	1	3/8" Keyless Drill Chuck - Bulk
	183794-3	1	Housing Set (6270D) (Includes Item 14)	A02	DC1414	1	Charger DC1414 F/7.2V ~ 14.4V Ni-Cad & Ni-MH Batteries (1.3Ah ~ 3.0Ah) (For other Chargers, See Catalogue)
	183795-1	1	Housing Set (6280D) (Includes Item 14)	A03	193977-7	1	9.6V Ni-Cad Battery PA09 (1.3Ah) (6260DWPE)(For other Batteries, See Catalogue)
4	266130-9	9	Tapping Screw Bind PT 3X16		193981-6	1	12V Ni-Cad Battery PA12 (1.3Ah)(6270DWPE) (For other Batteries, See Catalogue)
5	232182-2	1	Leaf Spring		193985-8	1	14.4V Ni-Cad Battery PA14 (1.3Ah) (6280DWPE) (For other Batteries, See Catalogue)
6	417283-9	1	F/R Change Lever	A04	414938-7	1	Battery Cover
7	650556-9	1	Switch	A05	784636-0	1	(+/-) Bit 2-65 (For other Bits, See Catalogue)
8	643909-9	1	Battery Holder	A06	824635-1	1	Plastic Carrying Case (Includes Item A07)
9	251468-5	1	(-) Flat Head Screw M6X22	A07	186347-7	1	Slide Latch Set
11	125237-9	1	Gear Assy				
12	629815-2	1	DC Motor (6260D)				
	629817-8	1	DC Motor (6270D)				
	629819-4	1	DC Motor (6280D)				
13	911003-8	2	P.H. Screw M3X6				
14	819001-5	1	Makita Label				

2 Model 6260DWPE
2 Model 6270DWPE
2 Model 6280DWPE

Free Manuals Download Website

<http://myh66.com>

<http://usermanuals.us>

<http://www.somanuals.com>

<http://www.4manuals.cc>

<http://www.manual-lib.com>

<http://www.404manual.com>

<http://www.luxmanual.com>

<http://aubethermostatmanual.com>

Golf course search by state

<http://golfingnear.com>

Email search by domain

<http://emailbydomain.com>

Auto manuals search

<http://auto.somanuals.com>

TV manuals search

<http://tv.somanuals.com>