



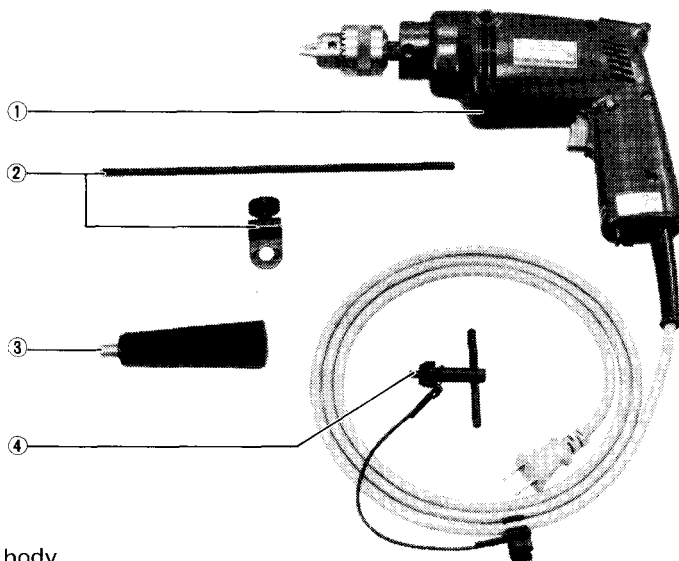
Makita Hammer Drill

10 mm (3/8") MODEL HP1030

Variable Speed / Reversing

INSTRUCTION MANUAL

Hammer Drill & Standard Equipment



- ① Tool body
- ② Depth rod
- ③ Grip 32
- ④ Chuck key



Specifications

Capacities			Continuous rating		No load speed	Blows per minute	Overall length	Net weight	Power supply cord
Metal	Wood	Concrete	Input	Output					
10 mm (3/8")	18 mm (3/4")	10 mm (3/8")	430 W	200 W	0-2,700 R/min.	0-29,700	270 mm (10-5/8")	1.6 kg (3.5 lbs)	2 m (6.6 ft.)

* Manufacturer reserves the right to change specifications of parts and accessories without notice.

* Note: Specifications of parts and accessories may differ from country to country.

IMPORTANT SAFETY INSTRUCTIONS

WARNING: When using electric tools, basic safety precautions should always be followed to reduce the risk of fire, electric shock, and personal injury, including the following:

READ ALL INSTRUCTIONS.

1. **KEEP WORK AREA CLEAN.** Cluttered areas and benches invite injuries.
2. **CONSIDER WORK AREA ENVIRONMENT.** Don't use power tools in damp or wet locations. Keep work area well lit. Don't expose power tools to rain. Don't use tool in presence of flammable liquids or gases.
3. **KEEP CHILDREN AWAY.** All visitors should be kept away from work area. Don't let visitors contact tool or extension cord.
4. **STORE IDLE TOOLS.** When not in use, tools should be stored in dry, and high or locked-up place – out of reach of children.
5. **DON'T FORCE TOOL.** It will do the job better and safer at the rate for which it was intended.
6. **USE RIGHT TOOL.** Don't force small tool or attachment to do the job of a heavy-duty tool. Don't use tool for purpose not intended.
7. **DRESS PROPERLY.** Don't wear loose clothing or jewelry. They can be caught in moving parts. Rubber gloves and non-skid footwear are recommended when working outdoors. Wear protective hair covering to contain long hair.
8. **USE SAFETY GLASSES.** Also use face or dust mask if cutting operation is dusty.
9. **DON'T ABUSE CORD.** Never carry tool by cord or yank it to disconnect from receptacle. Keep cord from heat, oil, and sharp edges.
10. **SECURE WORK.** Use clamps or a vise to hold work. It's safer than using your hand and it frees both hands to operate tool.
11. **DON'T OVERREACH.** Keep proper footing and balance at all times.
12. **MAINTAIN TOOLS WITH CARE.** Keep tools sharp and clean for better and safer performance. Follow instructions for lubricating and changing accessories. Inspect tool cords periodically and if damaged, have repaired by authorized service facility. Keep handles dry, clean, and free from oil and grease.
13. **DISCONNECT TOOLS.** When not in use, before servicing, and when changing accessories, such as blades, bits, cutters.
14. **REMOVE ADJUSTING KEYS AND WRENCHES.** Form habit of checking to see that keys and adjusting wrenches are removed from tool before turning it on.
15. **AVOID UNINTENTIONAL STARTING.** Don't carry plugged-in tool with finger on switch. Be sure switch is OFF when plugging in.
16. **OUTDOOR USE EXTENSION CORDS.** When tool is used outdoors, use only extension cords intended for use outdoors and so marked.
17. **STAY ALERT.** Watch what you are doing, use common sense. Don't operate tool when you are tired.
18. **CHECK DAMAGED PARTS.** Before further use of the tool, a guard or other part that is damaged should be carefully checked to determine that it will operate properly and perform its intended function. Check for alignment of moving parts, binding of moving parts, breakage of parts, mounting, and other conditions that may affect its operation. A guard or other part that is damaged should be properly repaired or

replaced by an authorized service center unless otherwise indicated elsewhere in this instruction manual. Have defective switches replaced by authorized service center. Don't use tool if switch does not turn it on and off.

19. When drilling into walls, floors or whatever "live" electrical wires may be encountered. **DO NOT TOUCH THE CHUCK OR ANY FRONT METAL PARTS OF THE DRILL.** Hold the Drill only by the plastic handle or the side grip to prevent electric shock if you drill into a "live" wire.
 20. **GUARD AGAINST ELECTRIC SHOCK.**
Prevent body contact with grounded surfaces. For example; pipes, radiators, ranges, refrigerator enclosures.
 21. **REPLACEMENT PARTS.** When servicing, use only identical replacement parts.
- SAVE THESE INSTRUCTIONS.**

VOLTAGE WARNING: Before connecting the tool to a power source (receptacle, outlet, etc.) be sure the voltage supplied is the same as that specified on the nameplate of the tool. A power source with voltage greater than that specified for the tool can result in **SERIOUS INJURY** to the user – as well as damage to the tool. If in doubt, **DO NOT PLUG IN THE TOOL.** Using a power source with voltage less than the nameplate rating is harmful to the motor.

How to use

• Drill Chuck

When installing a drill bit with the chuck key, notice that there are three holes in the chuck where the bit should be tightened, not just one. Tighten evenly at all three holes in order. (as you moved mount a tire.)

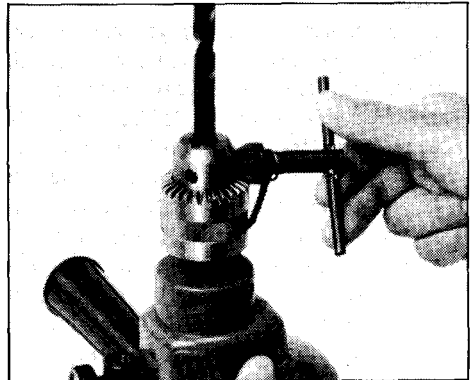



Fig. 1

• For Drilling Only (Rotation Alone)

For drilling in steel or wood, twist the indicator on top of the tool so that the drilling indication () is on the side with the small diamond convex. This provides drilling by itself. Use a conventional bit for drilling metal or wood.

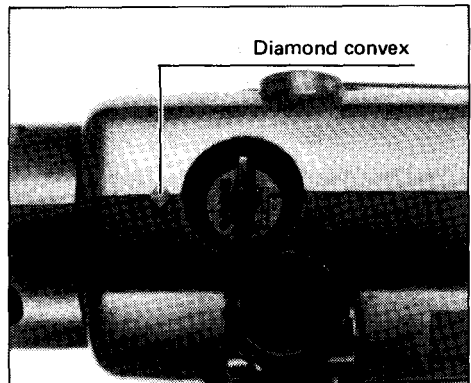



Fig. 2

● **For Hammer Drilling**
(Percussion + Rotation)

For opening of holes in concrete, tile or mortar, twist the indicator on top of the tool so that the hammer symbol () is on the side with the small diamond convex. This provides hammering + rotation. For accuracy, it is advisable to drill a small pilot hole first, before using hammering + rotation. Use a bit for concrete and masonry drilling.

(Caution: Always check first to see that the switch indicator is set to the "F" side for forward rotation.)

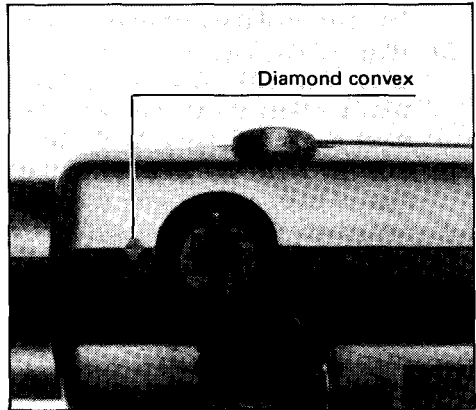


Fig. 3

● **Switch Action**

* *Speed screw for continuous use at desired speed*

The speed screw on the trigger can be used together with the lock button to obtain convenient continuous operation at any speed setting from 0~2,700 rpm. This screw is first screwed in (for higher speeds) or out (for lower speeds) for the desired setting. Then the trigger is pulled as far as it will go, and in this position the lock button is pushed in. The trigger can now be released, and the tool will run continuously at the speed it is set for. To stop from this lock position, simply pull the trigger and then release it.

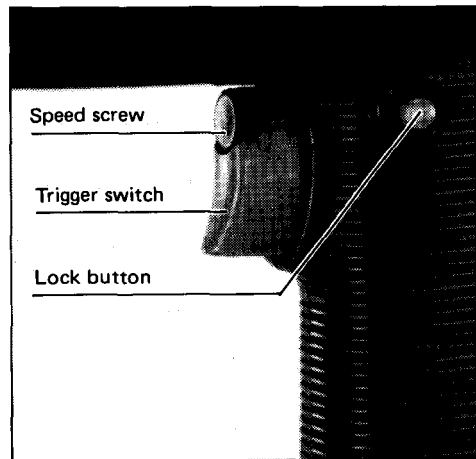


Fig. 4

* *Reverse switch*

The reversing switch is found on the heel of the handle. To change the direction of revolution, switch to "F" for right, "R" for left. (Always check the direction before drilling).

* *Never reverse directions (reversing switch) until the tool has come to a complete stop. Reversing before it stops may ruin the tool.*

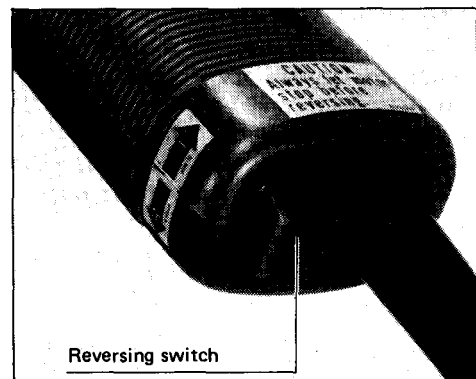


Fig. 5

- **When Holes Become Clogged**

Should be holes you drill become clogged with chips or dust, do not apply more pressure. Instead, run the tool idle for a moment, then back out. Repeating this procedure two or three times will clean out the hole completely and then you can apply pressure once more.

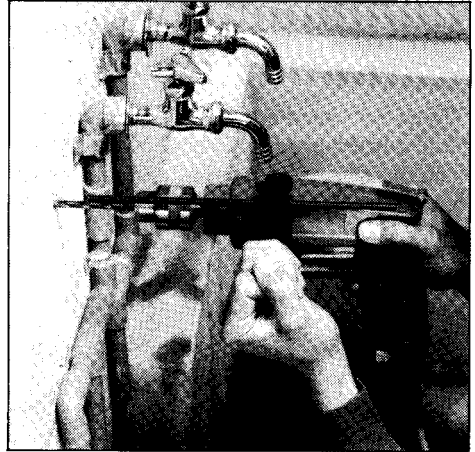


Fig. 6

- **Adjustable Depth Rod**

The adjustable depth rod is used to drill holes of uniform depth. Loosen the screw, set to desired position, then tighten the screw.

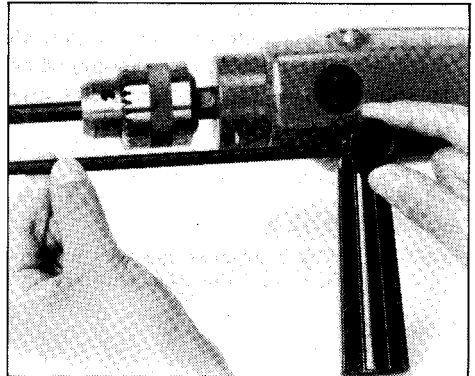


Fig. 7

MAINTENANCE

CAUTION:

Always be sure that the tool is switched off and unplugged before attempting to perform inspection and maintenance.

The carbon brushes wear out after about 100 hours of operation.

To maintain product SAFETY and RELIABILITY, repairs, maintenance and adjustment including brush inspection and replacement should be performed by Makita Authorized or Factory Service Centers, always using Makita replacement parts.

● Sharpening Bit

Without 60° chamfering, a tungsten-carbide tip can be ruined.

The tip of a bit may be used while hot, but it must never be quenched in water or oil.

The shank-mounted wheel point is especially made for grinding tungsten-carbide materials. Use this kind of grinding wheel to sharpen bits. Do not grind the sides (A) and (B) shown in fig. 10.

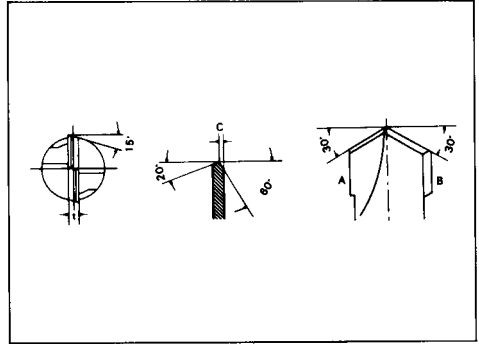


Fig. 8

ACCESSORIES

CAUTION: The accessories specified in this manual are recommended for use with your Makita Hammer Drill. The use of any other accessory might be hazardous.

Depth rod

(Part No. 321220-6)



Holder

(Part No. 164549-5)



Grip 32

(Part No. 273406-7)



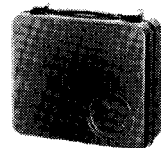
Chuck key

(Part No. 763213-1)



Steel carrying case

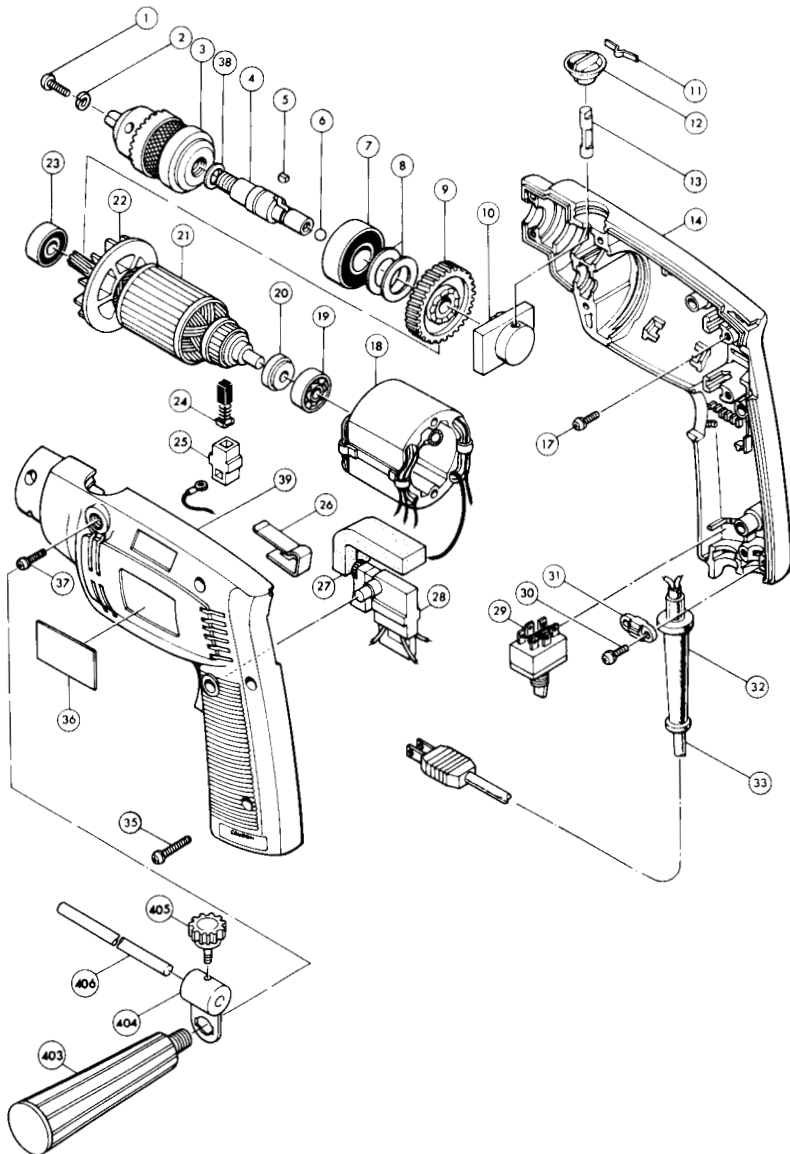
(Part No. 823121-9)





Makita

HAMMER DRILL 10mm($\frac{3}{8}$ ") Model HP1030



Note: The switch, noise suppressor, plug and other part configurations may differ from country to country.

ITEM NO.	NO. USED	DESCRIPTION	ITEM NO.	NO. USED	DESCRIPTION
MACHINE			MACHINE		
1	1	P. H. Screw M5x18	24	2	Carbon Brush
2	1	S. Washer 5	25	2	Brush Holder
3	1	Drill Chuck S10	26	1	Hook
4	1	Spindle	27	2	Sponge Sheet
5	1	Woodruff Key 4	28	1	Switch
6	1	Steel Ball 4.8	29	1	Reversing Switch
7	1	Ball Bearing 6202LLB	30	2	P. H. Screw M4x18 (With Washer)
8	2	F. Washer 15	31	1	Strain Relief
9	1	Helical Gear 64	32	1	Cord Guard
10	1	Cam	33	1	CORD ASSEMBLY (Assembled Cord, Plug & Cord Guard)
11	1	Leaf Spring	35	6	P. H. Screw M4x25 (With Washer)
12	1	Knob	36	1	Name Plate
13	1	Shifter Pin	37	1	P. H. Screw M4x20 (With Washer)
14	1	Housing R	38	1	F. Washer 10
17	2	P. H. Screw M4x14 (With Washer)	39	1	Housing L
18	1	FIELD ASSEMBLY	403	1	Grip 32
19	1	Ball Bearing 627LB	404	1	Stopper Holder
20	1	Insulation Washer	405	1	Screw M5x7
21	1	ARMATURE ASSEMBLY (Assembled Items 19 - 23)	406	1	Depth Rod
22	1	Fan 58			
23	1	Ball Bearing 608LB			

Note: The switch, noise suppressor, plug and other part specifications may differ from country to country.

MAKITA LIMITED ONE YEAR WARRANTY

Warranty Policy

Every Makita tool is thoroughly inspected and tested before leaving the factory. It is warranted to be free of defects from workmanship and materials for the period of ONE YEAR from the date of original purchase. Should any trouble develop during this one-year period, return the COMPLETE tool, freight prepaid, to one of Makita's Factory or Authorized Service Centers. If inspection shows the trouble is caused by defective workmanship or material, Makita will repair (or at our option, replace) without charge.

This Warranty does not apply where:

- repairs have been made or attempted by others;
- repairs are required because of normal wear and tear;
- The tool has been abused, misused or improperly maintained;
- alterations have been made to the tool.

IN NO EVENT SHALL MAKITA BE LIABLE FOR ANY INDIRECT, INCIDENTAL OR CONSEQUENTIAL DAMAGES FROM THE SALE OR USE OF THE PRODUCT. THIS DISCLAIMER APPLIES BOTH DURING AND AFTER THE TERM OF THIS WARRANTY.

MAKITA DISCLAIMS LIABILITY FOR ANY IMPLIED WARRANTIES, INCLUDING IMPLIED WARRANTIES OF "MERCHANTABILITY" AND "FITNESS FOR A SPECIFIC PURPOSE," AFTER THE ONE-YEAR TERM OF THIS WARRANTY.

This Warranty gives you specific legal rights, and you may also have other rights which vary from state to state. Some states do not allow the exclusion or limitation of incidental or consequential damages, so the above limitation or exclusion may not apply to you. Some states do not allow limitation on how long an implied warranty lasts, so the above limitation may not apply to you.



Makita Electric Works, Ltd.

11-8, 3-chome, Sumiyoshi-cho, Anjo, Aichi 446, Japan

883139 - 367B

PRINTED IN JAPAN

1985-6-N

Free Manuals Download Website

<http://myh66.com>

<http://usermanuals.us>

<http://www.somanuals.com>

<http://www.4manuals.cc>

<http://www.manual-lib.com>

<http://www.404manual.com>

<http://www.luxmanual.com>

<http://aubethermostatmanual.com>

Golf course search by state

<http://golfingnear.com>

Email search by domain

<http://emailbydomain.com>

Auto manuals search

<http://auto.somanuals.com>

TV manuals search

<http://tv.somanuals.com>