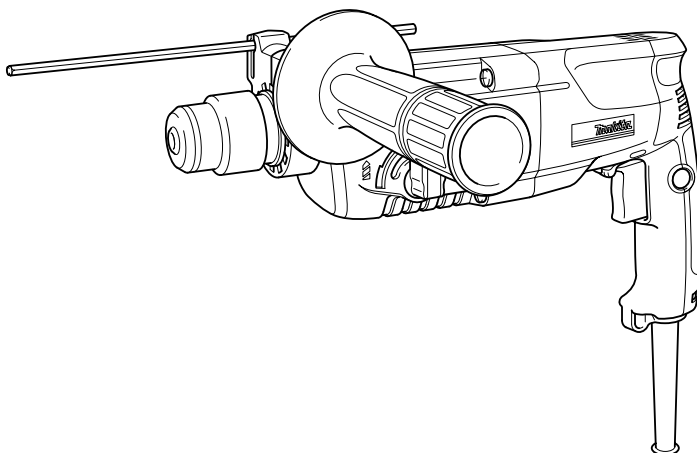
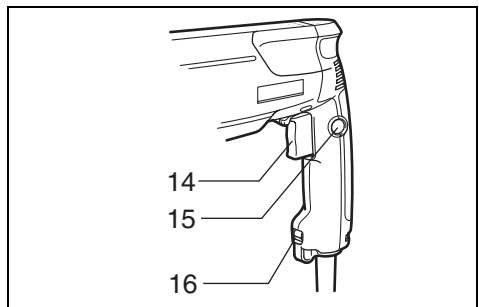
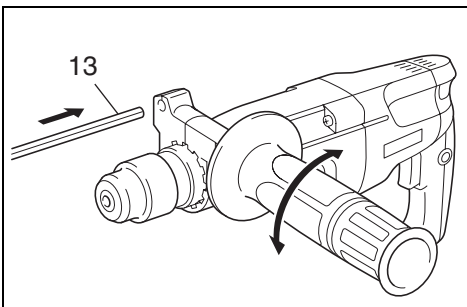
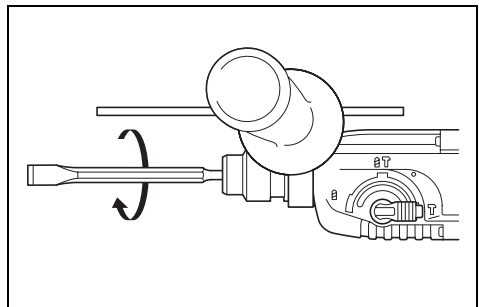
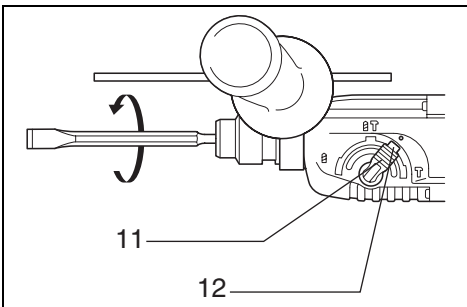
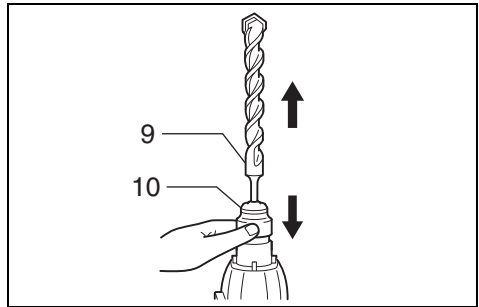
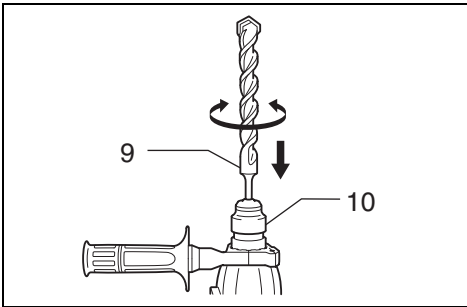
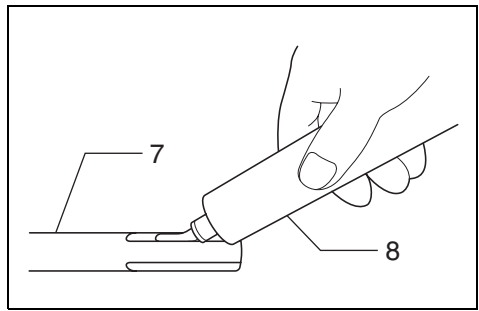
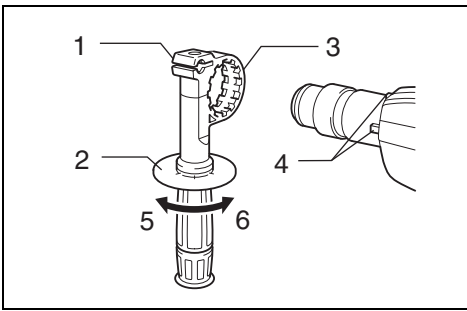


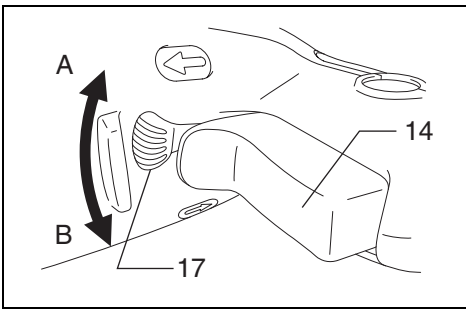


GB	Rotary Hammer	Instruction Manual
F	Perforateur	Manuel d'instructions
D	Bohrhammer	Betriebsanleitung
I	Martello rotativo	Istruzioni per l'uso
NL	Boorhamer	Gebruiksaanwijzing
E	Martillo rotativo	Manual de instrucciones
P	Martelo misto	Manual de instruções
DK	Borehammer	Brugsanvisning
S	Borrhammare	Bruksanvisning
N	Borhammer	Bruksanvisning
SF	Poravasara	Käyttöohje
GR	Περιστροφικό σφυρί	Οδηγίες χρήσεως

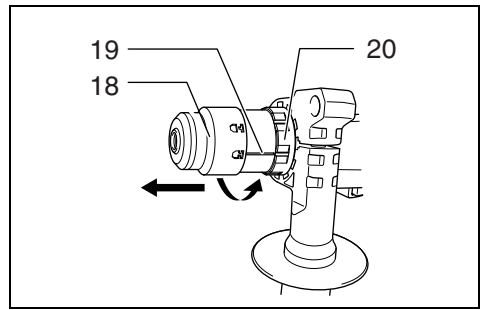
HR2450/T
HR2450X
HR2450F/FT



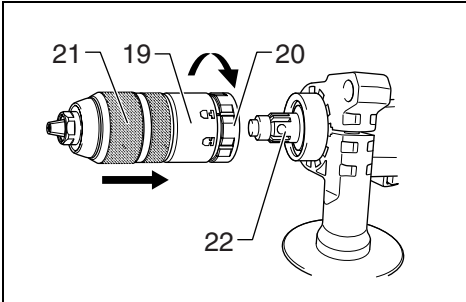




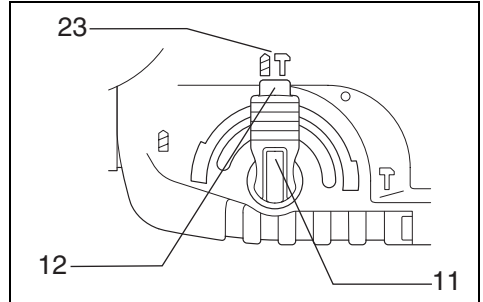
9



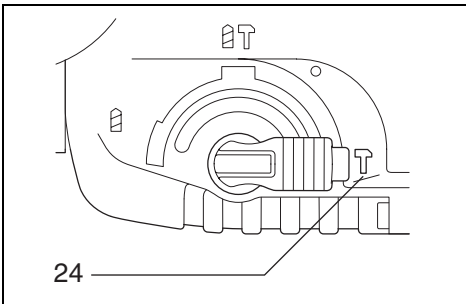
10



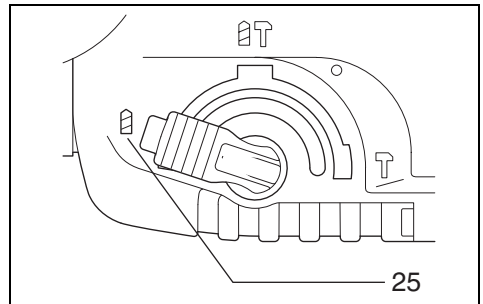
11



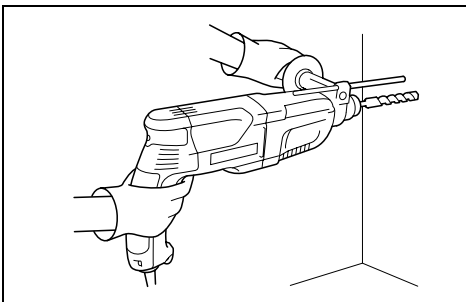
12



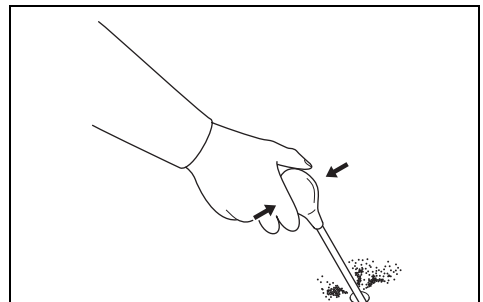
13



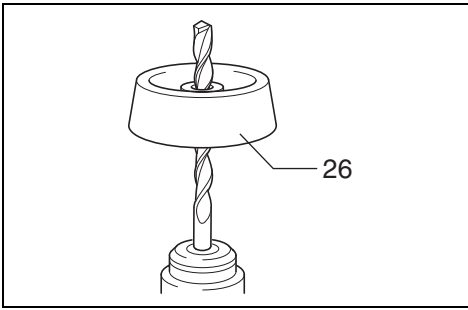
14



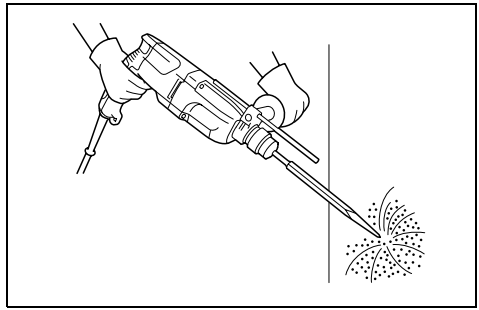
15



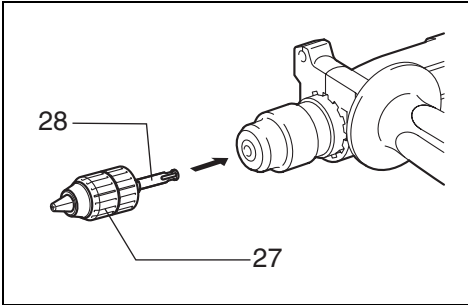
16



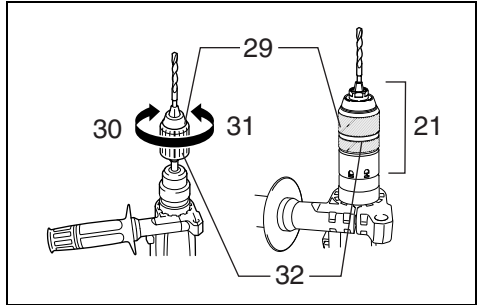
17



18



19



20

ENGLISH

Explanation of general view

1	Grip base	12	Lock button	23	Rotation with hammering
2	Side grip (auxiliary handle)	13	Depth gauge	24	Hammering only
3	Teeth	14	Switch trigger	25	Rotation only
4	Protrusions	15	Lock button	26	Dust cup
5	Loosen	16	Lamp (HR2450F only)	27	Keyless drill chuck
6	Tighten	17	Reversing switch lever	28	Chuck adapter
7	Bit shank	18	Tool holder	29	Sleeve
8	Bit grease	19	Change cover line	30	Tighten
9	Bit	20	Change cover	31	Loosen
10	Chuck cover	21	Drill chuck assembly	32	Ring
11	Action mode changing knob	22	Spindle		

SPECIFICATIONS

Model	HR2450/X/F	HR2450T/FT
Capacities		
Concrete	24 mm	24 mm
Core bit	54 mm	54 mm
Diamond core bit	65 mm	65 mm
Wood	32 mm	32 mm
Steel	13 mm	13 mm
No load speed (min ⁻¹)	0 – 1,100	0 – 1,100
Blows per minute	0 – 4,500	0 – 4,500
Overall length	360 mm	384 mm
Net weight	2.4 kg	2.6 kg

- Due to our continuing program of research and development, the specifications herein are subject to change without notice.
- Note: Specifications may differ from country to country.

Intended use

The tool is intended for hammer drilling and drilling in brick, concrete and stone as well as for chiseling work. It is also suitable for drilling without impact in wood, metal, ceramic and plastic.

Power supply

The tool should be connected only to a power supply of the same voltage as indicated on the nameplate, and can only be operated on single-phase AC supply. They are double-insulated in accordance with European Standard and can, therefore, also be used from sockets without earth wire.

Safety hints

For your own safety, please refer to the enclosed safety instructions.

SPECIFIC SAFETY RULES

GEB007-2

DO NOT let comfort or familiarity with product (gained from repeated use) replace strict adherence to rotary hammer safety rules. If you use this tool unsafely or incorrectly, you can suffer serious personal injury.

1. **Wear ear protectors.** Exposure to noise can cause hearing loss.
2. **Use auxiliary handles supplied with the tool.** Loss of control can cause personal injury.
3. **Hold power tools by insulated gripping surfaces when performing an operation where the cutting tool may contact hidden wiring or its own cord.** Contact with a "live" wire will make exposed metal parts of the tool "live" and shock the operator.

4. **Wear a hard hat (safety helmet), safety glasses and/or face shield. Ordinary eye or sun glasses are NOT safety glasses. It is also highly recommended that you wear a dust mask and thickly padded gloves.**
5. **Be sure the bit is secured in place before operation.**
6. **Under normal operation, the tool is designed to produce vibration. The screws can come loose easily, causing a breakdown or accident. Check tightness of screws carefully before operation.**
7. **In cold weather or when the tool has not been used for a long time, let the tool warm up for a while by operating it under no load. This will loosen up the lubrication. Without proper warm-up, hammering operation is difficult.**
8. **Always be sure you have a firm footing. Be sure no one is below when using the tool in high locations.**
9. **Hold the tool firmly with both hands.**
10. **Keep hands away from moving parts.**
11. **Do not leave the tool running. Operate the tool only when hand-held.**
12. **Do not point the tool at any one in the area when operating. The bit could fly out and injure someone seriously.**
13. **Do not touch the bit or parts close to the bit immediately after operation; they may be extremely hot and could burn your skin.**
14. **Some material contains chemicals which may be toxic. Take caution to prevent dust inhalation and skin contact. Follow material supplier safety data.**

SAVE THESE INSTRUCTIONS.

WARNING:

MISUSE or failure to follow the safety rules stated in this instruction manual may cause serious personal injury.

OPERATING INSTRUCTIONS**Side grip (auxiliary handle) (Fig. 1)**

Always use the side grip to ensure operating safety. Install the side grip so that the teeth on the grip fit in between the protrusions on the tool barrel. Then tighten the grip by turning clockwise at the desired position. It may be swung 360° so as to be secured at any position.

Installing or removing the bit**CAUTION:**

Always be sure that the tool is switched off and unplugged before installing or removing the bit.

Clean the bit shank and apply bit grease before installing the bit. (Fig. 2)


Insert the bit into the tool. Turn the bit and push it in until it engages. (Fig. 3)


After installing, always make sure that the bit is securely held in place by trying to pull it out.

To remove the bit, pull the chuck cover down all the way and pull the bit out. (Fig. 4)

Bit angle (when chipping, scaling or demolishing)**CAUTION:**

Always be sure that the tool is switched off and unplugged before changing the bit angle.

The bit can be secured at the desired angle. To change the bit angle, depress the lock button and rotate the action mode changing knob to the  symbol. Turn the bit to the desired angle. (Fig. 5)

Depress the lock button and rotate the action mode changing knob to the  symbol. Then make sure that the bit is securely held in place by turning it slightly. (Fig. 6)

Depth gauge (Fig. 7)

The depth gauge is convenient for drilling holes of uniform depth. Loosen the side grip and insert the depth gauge into the hole in the side grip. Adjust the depth gauge to the desired depth and tighten the side grip.

NOTE:

The depth gauge cannot be used at the position where the depth gauge strikes against the gear housing.

Switch action (Fig. 8)**CAUTION:**

Before plugging in the tool, always check to see that the switch trigger actuates properly and returns to the "OFF" position when released.

To start the tool, simply pull the switch trigger. Tool speed is increased by increasing pressure on the switch trigger. Release the switch trigger to stop. For continuous operation, pull the switch trigger and then push in the lock button. To stop the tool from the locked position, pull the switch trigger fully, then release it.

Lighting up the lamps (Fig. 8)**For model HR2450F, HR2450FT****CAUTION:**



Do not look in the light or see the source of light directly.

To turn on the lamp, pull the trigger. Release the trigger to turn it off.

NOTE:

Use a dry cloth to wipe the dirt off the lens of lamp. Be careful not to scratch the lens of lamp, or it may lower the illumination.

Reversing switch action (Fig. 9)

This tool has a reversing switch to change the direction of rotation. Move the reversing switch lever to the  position (A side) for clockwise rotation or the  position (B side) for counterclockwise rotation.

CAUTION:



- Always check the direction of rotation before operation.
- Use the reversing switch only after the tool comes to a complete stop. Changing the direction of rotation before the tool stops may damage the tool.
- When you operate the tool in counterclockwise rotation, the switch trigger is pulled only halfway and the tool runs at half speed. For counterclockwise rotation, you cannot push in the lock button.

Changing the quick change chuck for SDS-plus (Fig. 10 & 11)**For model HR2450T/HR2450FT**



The quick change chuck for SDS-plus can be easily exchanged for the quick change drill chuck.


Removing the quick change chuck for SDS-plus**CAUTION:**

- Before removing the quick change chuck for SDS-plus, always remove the bit.


Grasp the change cover of the quick change chuck for SDS-plus and turn in the direction of the arrow until the change cover line moves from the  symbol to the  symbol. Pull forcefully in the direction of the arrow.

Attaching the quick change drill chuck


Check the line of the quick change drill chuck shows the  symbol. Grasp the change cover of the quick change drill chuck and set the line to the  symbol. Place the quick change drill chuck on the spindle of the tool.

Grasp the change cover of the quick change drill chuck and turn the change cover line to the  symbol until a click can clearly be heard.


Selecting action mode**Rotation with hammering (Fig. 12)**

For drilling in concrete, masonry, etc., depress the lock button and rotate the action mode changing knob to the  symbol. Use a tungsten-carbide tipped bit.

Hammering only (Fig. 13)

For chipping, scaling or demolition operations, depress the lock button and rotate the action mode changing knob to the  symbol. Use a bull point, cold chisel, scaling chisel, etc.

Rotation only (Fig. 14)

For drilling in wood, metal or plastic materials, depress the lock button and rotate the action mode changing knob to the  symbol. Use a twist drill bit or wood bit.

CAUTION:

- Do not rotate the action mode changing knob when the tool is running under load. The tool will be damaged.
- To avoid rapid wear on the mode change mechanism, be sure that the action mode changing knob is always positively located in one of the three action mode positions.


Torque limiter

The torque limiter will actuate when a certain torque level is reached. The motor will disengage from the output shaft. When this happens, the bit will stop turning.

CAUTION:

- As soon as the torque limiter actuates, switch off the tool immediately. This will help prevent premature wear of the tool.
- Hole saws cannot be used with this tool. They tend to pinch or catch easily in the hole. This will cause the torque limiter to actuate too frequently.

Hammer drilling operation (Fig. 15)

Set the action mode changing knob to the  symbol. Position the bit at the desired location for the hole, then pull the trigger.

Do not force the tool. Light pressure gives best results. Keep the tool in position and prevent it from slipping away from the hole.

Do not apply more pressure when the hole becomes clogged with chips or particles. Instead, run the tool at an idle, then remove the bit partially from the hole. By repeating this several times, the hole will be cleaned out and normal drilling may be resumed.

CAUTION:

There is tremendous and sudden twisting force exerted on the tool/bit at the time of hole breakthrough, when the hole becomes clogged with chips and particles, or when striking reinforcing rods embedded in the concrete. Always use the side grip (auxiliary handle) and firmly hold the tool by both side grip and switch handle during operations. Failure to do so may result in the loss of control of the tool and potentially severe injury.

NOTE:

Eccentricity in the bit rotation may occur while operating the tool with no load. The tool automatically centers itself during operation. This does not affect the drilling precision.

Bit grease

Coat the bit shank head beforehand with a small amount of bit grease (about 0.5 – 1 g). This chuck lubrication assures smooth action and longer service life.

Blow-out bulb (Fig. 16)


Use the blow-out bulb to clean out the hold.

Dust cup (Fig. 17)

Use the dust cup to prevent dust from falling over the tool and on yourself when performing overhead drilling operations. Attach the dust cup to the bit as shown in **Fig. 17**. The size of bits which the dust cup can be attached to is as follows.

	Bit diameter (mm)
Dust cup 5	6 – 14.5
Dust cup 9	12 – 16

Chipping/Scaling/Demolition (Fig. 18)

Set the action mode changing knob to the  symbol. Hold the tool firmly with both hands. Turn the tool on and apply slight pressure on the tool so that the tool will not bounce around, uncontrolled. Pressing very hard on the tool will not increase the efficiency.

Drilling in wood or metal**For model HR2450/HR2450F/HR2450X (Fig. 19)**


Use the optional drill chuck assembly. When installing it, refer to “Installing or removing drill bit” described on the previous page.

For model HR2450T/HR2450FT (Fig. 11)

Use the drill chuck assembly as standard equipment. When installing it, refer to “Changing the tool holder” described on the previous page.

Hold the ring and turn the sleeve counterclockwise to open the chuck jaws. Place the bit in the chuck as far as it will go. Hold the ring firmly and turn the sleeve clockwise to tighten the chuck.


To remove the bit, hold the ring and turn the sleeve counterclockwise. **(Fig. 20)**

Set the action mode changing knob to the  symbol. You can drill up to 13 mm diameter in metal and up to 32 mm diameter in wood.

CAUTION:

- Never use “rotation with hammering” when the drill chuck assembly is installed on the tool. The drill chuck assembly may be damaged. Also, the drill chuck will come off when reversing the tool.
- Pressing excessively on the tool will not speed up the drilling. In fact, this excessive pressure will only serve to damage the tip of your bit, decrease the tool performance and shorten the service life of the tool.
- There is a tremendous twisting force exerted on the tool/bit at the time of hole breakthrough. Hold the tool firmly and exert care when the bit begins to break through the workpiece.
- A stuck bit can be removed simply by setting the reversing switch to reverse rotation in order to back out. However, the tool may back out abruptly if you do not hold it firmly.
- Always secure small workpieces in a vise or similar hold-down device.

Diamond core drilling

When performing diamond core drilling operations, always set the change lever to the  position to use “rotation only” action.

CAUTION:

If performing diamond core drilling operations using “rotation with hammering” action, the diamond core bit may be damaged.

MAINTENANCE**CAUTION:**

Always be sure that the tool is switched off and unplugged before carrying out any work on the tool.

To maintain product safety and reliability, repairs, maintenance or adjustment should be carried out by a Makita Authorized Service Center.

ACCESSORIES

CAUTION:

These accessories or attachments are recommended for use with your Makita tool specified in this manual. The use of any other accessories or attachments might present a risk of injury to persons. Only use accessory or attachment for its stated purpose.

If you need any assistance for more details regarding these accessories, ask your local Makita service center.

- Depth gauge
- Side grip
- Plastic carrying case
- Blow-out bulb
- Dust cup
- Bull point
- Cold chisel
- Scaling chisel
- Grooving chisel
- SDS Plus tungsten-carbide tipped bit
- Drill chuck
- Chuck adapter
- Drill chuck assembly
- Keyless drill chuck
- Chuck key
- Bit grease
- Dust extractor attachment
- Safety goggles

Verklaring van algemene gegevens

1 Handgreepvoet	12 Vastzetknop	23 Boren plus hameren
2 Zijhandgreep (hulphandgreep)	13 Dieptemaat	24 Alleen hameren
3 Tandem	14 Trekschakelaar	25 Alleen boren
4 Nokken	15 Vastzetknop	26 Stufvanger
5 Losdraaien	16 Lamp (alleen voor HR2450F)	27 Sleutellose boorkop
6 Vastzetten	17 Omkeerschakelaarknop	28 Boorkop-adapter
7 Boorschacht	18 Gereedschapshouder	29 Bus
8 Boorvet	19 Streep op wisseldeksel	30 Vastzetten
9 Boor	20 Wisseldeksel	31 Losdraaien
10 Boorkopdeksel	21 Boorkopmontage	32 Ring
11 Omschakelknop	22 As	

TECHNISCHE GEGEVENS

Model	HR2450/X/F	HR2450T/FT
Vermogen		
Beton	24 mm	24 mm
Kroonboor.....	54 mm	54 mm
Diamant kroonboor.....	65 mm	65 mm
Hout.....	32 mm	32 mm
Staal	13 mm	13 mm
Nullasttoerental (min ⁻¹).....	0–1 100	0–1 100
Aantal slagen/minuut.....	0–4 500	0–4 500
Totale lengte	360 mm	384 mm
Netto gewicht.....	2,4 kg	2,6 kg

- In verband met ononderbroken research en ontwikkeling behouden wij ons het recht voor bovenstaande technische gegevens te wijzigen zonder voorafgaande kennisgeving.
- Opmerking: De technische gegevens kunnen van land tot land verschillen.

Doelinden van gebruik

Dit gereedschap is bedoeld voor hamerboren en boren in baksteen, beton en steen, en ook voor beitelen. Het gereedschap is ook geschikt voor boren zonder slag in hout, metaal, keramisch materiaal en kunststof.

Stroomvoorziening

Het gereedschap mag alleen worden aangesloten op een stroombron van hetzelfde voltage als aangegeven op de naamplaat, en kan alleen op enkel-fase wisselstroom worden gebruikt. Het gereedschap is dubbel-geïsoleerd volgens de Europese standaard en kan derhalve ook op een niet-geaard stopcontact worden aangesloten.

Veiligheidswenken

Voor uw veiligheid dient u de bijgevoegde Veiligheidsvoorschriften nauwkeurig op te volgen.

**AANVULLENDE
VEILIGHEIDSVOORSCHRIFTEN**

Laat u NIET misleiden door een vals gevoel van comfort en bekendheid met het gereedschap (na veelvuldig gebruik) en neem alle veiligheidsvoorschriften van de boorhamer altijd strikt in acht. Bij onveilig of verkeerd gebruik van het gereedschap, bestaat de kans op ernstig persoonlijk letsel.

1. **Draag gehoorbescherming.** Blootstelling aan harde geluiden kan leiden tot gehoorbeschadiging.
2. **Gebruik de hulphandgrepen die bij het gereedschap werden geleverd.** Als u de controle over het gereedschap verliest, kan dit leiden tot ernstig persoonlijk letsel.

3. **Houd elektrisch gereedschap vast aan het geïsoleerde oppervlak van de handgrepen wanneer u werkt op plaatsen waar het zaaggereedschap met verborgen bedrading of zijn eigen snoer in aanraking kan komen.** Door contact met onder spanning staande draden, zullen de niet-geïsoleerde metalen delen van het gereedschap onder spanning komen te staan zodat de gebruiker een elektrische schok kan krijgen.
4. **Draag een veiligheidshelm, veiligheidsbril en/of gezichtsbescherming. Een gewone bril of een zonnebril is GEEN veiligheidsbril. Het wordt tevens sterk aanbevolen een stofmasker en dik gevoerde handschoenen te dragen.**
5. **Controleer dat het bit stevig op zijn plaats is vastgezet voordat u het gereedschap gebruikt.**
6. **Bij normale bediening behoort het gereedschap te trillen. De schroeven kunnen gemakkelijk losraken, waardoor een defect of ongeluk kan ontstaan. Controleer of de schroeven goed zijn aangedraaid, alvorens het gereedschap te gebruiken.**
7. **In koude weersomstandigheden of wanneer het gereedschap gedurende een lange tijd niet is gebruikt, laat u het gereedschap eerst opwarmen door het onbelast te laten werken. Hierdoor zal de smering worden verbeterd. Zonder degelijk opwarmen, zal de hamerwerking moeilijk zijn.**
8. **Zorg er altijd voor dat u stevig staat. Zorg ervoor dat er niemand zich onder u bevindt wanneer u het gereedschap op een hoge plaats gebruikt.**
9. **Houd het gereedschap met beide handen stevig vast.**
10. **Houd uw handen uit de buurt van bewegende delen.**

11. Laat het gereedschap niet ingeschakeld liggen. Bedien het gereedschap alleen wanneer u het vasthoudt.
12. Richt het gereedschap niet op iemand in de buurt terwijl het is ingeschakeld. Het bit zou eruit kunnen vliegen en iemand ernstig verwonden.
13. Raak het bit en onderdelen in de buurt van het bit niet onmiddellijk na gebruik aan. Zij kunnen bijzonder heet zijn en brandwonden op uw huid veroorzaken.
14. Sommige materialen bevatten chemische stoffen die giftig kunnen zijn. Neem de nodige voorzorgsmaatregelen tegen inademing van stof en contact met de huid. Volg de veiligheidsinstructies van de leverancier van het materiaal op.

BEWAAR DEZE VOORSCHRIFTEN.

WAARSCHUWING:

VERKEERD GEBRUIK of het niet naleven van de veiligheidsvoorschriften in deze gebruiksaanwijzing kan leiden tot ernstige verwondingen.

BEDIENINGSVOORSCHRIFTEN

Zijhandgreep (hulphandgreep) (Fig. 1)

Gebruik altijd de zijhandgreep om een veilige bediening te verzekeren. Installeer de zijhandgreep zodanig dat de tanden op de greep tussen de nokken op het huis van de machine komen te zitten. Zet dan de handgreep vast door deze in de gewenste positie naar rechts te draaien. De handgreep kan 360° worden verdraaid zodat u deze in elke gewenste positie kunt vastzetten.

Aanbrengen of verwijderen van de boor

LET OP:

Controleer altijd of het gereedschap is uitgeschakeld en zijn stekker uit het stopcontact is verwijderd alvorens de boor aan te brengen of te verwijderen.

Reinig de boorschacht en smeer er boorvet op alvorens de boor te installeren. (Fig. 2)

Steek de boor in de machine. Draai de boor en duw deze naar binnen tot zij vergrendelt. (Fig. 3)


Nadat de boor is geïnstalleerd, moet u altijd controleren of de boor goed vastzit door te proberen hem eruit te trekken.

Om de boor te verwijderen, trekt u het boorkopdeksel helemaal omlaag en dan trekt u de boor eruit. (Fig. 4)

Boorhoek (voor beitelen, afbikken of slopen)

LET OP:

Zorg altijd dat het gereedschap is uitgeschakeld en de stekker uit het stopcontact is verwijderd voordat u de boorhoek wijzigt.

De boor kan bij de gewenste hoek worden vastgezet. Om de boorhoek te wijzigen, drukt u de vergrendelknop in en draait u de werkingskeuzeknop zodat de wijzer naar het  symbool wijst. Draai de boor naar de gewenste hoek. (Fig. 5)

Druk de vergrendelknop in en draai de werkingskeuzeknop zodat de wijzer naar het  symbool wijst. Draai daarna de boor een beetje om te controleren of deze goed vastzit. (Fig. 6)

Diepteaanslag (Fig. 7)

De diepteaanslag is handig voor het boren van gaten van gelijke diepte. Maak de zijhandgreep los en steek de diepteaanslag in het gat in de zijhandgreep. Stel de diepteaanslag af op de gewenste diepte en zet de zijhandgreep vast.

OPMERKING:

De diepteaanslag kan niet worden gebruikt in de positie waarbij deze tegen het tandwielhuis aanstoot.

Werking van de trekschakelaar (Fig. 8)

LET OP:

Alvorens de machine op een stopcontact aan te sluiten, moet u altijd controleren of de trekschakelaar juist werkt en bij het loslaten naar de "OFF" positie terugkeert.

Om de machine te starten, drukt u gewoon de trekschakelaar in. Hoe dieper de trekschakelaar wordt ingedrukt, hoe sneller de machine draait. Om de machine uit te schakelen, de trekschakelaar loslaten. Voor continue werking, drukt u de trekschakelaar in en dan drukt u de vastzetknop in. Om de machine vanuit deze vergrendelde stand te stoppen, de trekschakelaar volledig indrukken en deze dan loslaten.

Aanzetten van de lampen (Fig. 8)

Voor model HR2450F/HR2450FT

LET OP:

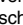
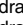
Kijk niet direct in het licht of de lichtbron.

Druk de trekker in om de lamp aan te zetten. Laat de trekker los om de lamp uit te doen.

OPMERKING:

Gebruik een droge doek om vuil op de lamplens eraf te vegen. Let op dat u geen krassen maakt op de lamplens, aangezien de verlichtingssterkte daardoor zal verminderen.

Werking van de omkeerschakelaar (Fig. 9)

Dit gereedschap heeft een omkeerschakelaar voor het veranderen van de draairichting. Beweeg de omkeerschakelaar naar de positie  (kant A) voor rechtse draairichting, of naar de positie  (kant B) voor linkse draairichting.

LET OP:

- Controleer altijd de draairichting alvorens de machine te gebruiken.
- Gebruik de omkeerschakelaar alleen nadat de machine volledig tot stilstand is gekomen. Indien u de draairichting verandert voordat de machine is gestopt, kan de machine beschadigd raken.
- Wanneer u het gereedschap in linkse draairichting gebruikt, kan de trekschakelaar alleen tot halverwege worden ingedrukt en draait het gereedschap op halve snelheid. Voor linkse draairichting kunt u de vergrendelknop niet indrukken.

De snelkoppelingboorkop voor SDS-plus vervangen (Fig. 10 en 11)


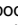
Voor model HR2450T/HR2450FT

De snelkoppelingboorkop voor SDS-plus kan eenvoudig vervangen worden door de gewone snelkoppelingboorkop.


De snelkoppelingboorkop voor SDS-plus eraf halen


LET OP:

- Haal altijd eerst de bit eruit voordat u de snelkoppelingboorkop voor SDS-plus eraf haalt.

Pak het wisseldeksel van de snelkoppelingboorkop voor SDS-plus beet en draai deze in de richting van de pijl totdat de streep op het wisseldeksel wordt verplaatst van het  symbool naar het  symbool. Trek vervolgens krachtig in de richting van de pijl.

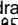
De gewone snelkoppelingboorkop erop zetten

Controleer of de streep op de gewone snelkoppelingboorkop op het  symbool staat. Pak het wisseldeksel van de gewone snelkoppelingboorkop beet en lijn de streep uit met het  symbool. Plaats de gewone snelkoppelingboorkop op de as van het gereedschap.

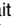
Pak het wisseldeksel van de gewone snelkoppelingboorkop beet en verplaats de streep op het wisseldeksel naar het  symbool totdat u duidelijk een klik hoort.

Kiezen van de gewenste werking

Boren plus hameren (Fig. 12)

Voor boren in beton, metselwerk e.d., drukt u de vergrendelknop in en draait u de werkingskeuzeknop zodat de wijzer naar het  symbool wijst. Gebruik een boor met een wolframcarbide punt.

Alleen hameren (Fig. 13)

Voor beitelen, afbikken of slopen, drukt u de vergrendelknop in en draait u de werkingskeuzeknop zodat de wijzer naar het  symbool wijst. Gebruik een puntbeitel, koudbeitel, bikbeitel, enz.

Alleen boren (Fig. 14)

Voor boren in hout, metaal of kunststof, drukt u de vergrendelknop in en draait u de werkingskeuzeknop zodat de wijzer naar het  symbool wijst. Gebruik een spiraalboor of een houtboor.

LET OP:

- Wijzig de positie van de werkingskeuzeknop niet terwijl het gereedschap nog belast draait, aangezien het gereedschap daardoor beschadigd zal raken.
- Om vroegtijdige slijtage van het wisselmechanisme te voorkomen, dient u de werkingskeuzeknop altijd juist op een van de drie werkingsposities te zetten.


Koppelbegrenzer

De koppelbegrenzer treedt in werking wanneer de motor een bepaald koppel bereikt. De motor wordt dan ontkoppeld van de uitgangsas. Wanneer dit gebeurt, zal de boor ophouden met draaien.

LET OP:

- Schakel het gereedschap onmiddellijk uit wanneer de koppelbegrenzer in werking treedt. Hierdoor helpt u vroegtijdige slijtage van het gereedschap voorkomen.
- Gatenzagen kunnen met dit gereedschap niet worden gebruikt. Deze lopen of klemmen gemakkelijk vast in het boorgat, zodat de koppelbegrenzer te vaak in werking zal worden gesteld.

Hamerend of kloppend boren (Fig. 15)

Draai de werkingskeuzeknop zodat de wijzer naar het  symbool wijst.

Plaats de punt van de boor op de gewenste plaats waar geboord moet worden, en druk vervolgens de schakelaar in.

Forceer het gereedschap niet. Een lichte druk geeft de beste resultaten. Houd het gereedschap stevig vast en zorg dat het niet uitglijdt.

Oefen geen grotere druk uit wanneer het boorgat verstopt raakt met schilfertjes of metaaldeeltjes. Laat in zo'n geval het gereedschap onbelast lopen en verwijder de boor gedeeltelijk uit het boorgat. Wanneer dit verschillende keren wordt herhaald, zal het boorgat schoon worden en kunt u normaal verder boren.

LET OP:

Op het moment dat een gat wordt geboord, of wanneer het boorgat verstopt raakt met schilfertjes en metaaldeeltjes, of wanneer de machine op versterkingsstaven in gewapend beton stoot, wordt er plotseling een enorme wringingskracht op de machine/boor uitgeoefend. Gebruik daarom altijd de zijhandgreep (hulphandgreep) en houd de machine tijdens het gebruik stevig vast bij zowel de zijhandgreep als de hoofdhandgreep. Indien u dit verzuimt, kunt u de controle over de machine verliezen en mogelijk zware verwondingen oplopen.

OPMERKING:

Terwijl het gereedschap onbelast wordt gebruikt, kan de boor excentrisch draaien. Het gereedschap centreert zichzelf automatisch tijdens het gebruik. Dit heeft geen nadelige invloed op de nauwkeurigheid van het boren.

Invetten van de boor

Voordat u de boor aanbrengt, smeer een beetje vet (ca. 0,5 tot 1,0 gram) op de kop van de boorschacht.

Met een ingevette boorkop zal het gereedschap beter werken en langer meegaan.

Blaasbalgje (Fig. 16)


Gebruik het blaasbalgje om het gat schoon te maken.

Stofvanger (Fig. 17)

Gebruik de stofvanger om te voorkomen dat stof op de machine en op uzelf terecht komt wanneer u boven uw hoofd boort. Bevestig de stofvanger aan de boor, zoals getoond in Fig. 17. De diameter van de boor waaraan de stofvanger kan worden bevestigd, is als volgt.

	Boordiameter (mm)
Stofvanger 5	6 – 14,5
Stofvanger 9	12 – 16

Beitelen/Afbikken/Slopen (Fig. 18)

Draai de werkingskeuzeknop zodat de wijzer naar het  symbool wijst. Houd de machine met beide handen stevig vast. Schakel de machine in en oefen niet meer druk uit op de machine dan nodig is om deze onder controle te houden. Door grote kracht op de machine uit te oefenen verloopt het werk niet sneller.

Boren in hout of metaal


Voor model HR2450/HR2450F/HR2450X (Fig. 19)

Gebruik de los verkrijgbare boorkopmontage. Om deze te installeren, zie "Aanbrengen of verwijderen van de boor" op de vorige pagina.

Voor model HR2450T/HR2450FT (Fig. 11)

Gebruik de boorkopmontage als standaard uitrusting. Voor aanwijzingen over het installeren van de boorkopmontage, zie "Verwisselen van de gereedschapshouder" op de vorige bladzijde.


Houd de ring vast en draai de bus naar links om de klauwen van de boorkop te openen. Steek de boor zo ver mogelijk in de boorkop. Houd de ring weer stevig vast en draai de bus naar rechts om de boorkop vast te zetten. Om de boor te verwijderen, houdt u de ring vast en draait u de bus naar links. (Fig. 20)

Draai de werkingskeuzeknop zodat de wijzer naar het  symbool wijst. U kunt boren tot een diameter van maximaal 13 mm in metaal en een diameter van maximaal 32 mm in hout.

LET OP:

- Gebruik nooit “roteren met hameren” wanneer de boorkop op het gereedschap is gemonteerd. De boorkop kan hierdoor namelijk beschadigd raken. Bovendien zal de boorkop loskomen wanneer de draairichting van het gereedschap wordt omgekeerd.
- Door teveel druk op het gereedschap uit te oefenen verloopt het boren niet sneller. Integendeel, teveel druk op het gereedschap zal alleen maar de boor beschadigen, de prestatie van het gereedschap verminderen en de gebruiksduur verkorten.
- Er ontstaan enorme spanningen op het ogenblik dat de boor uit het gat tevoorschijn komt. Houd derhalve het gereedschap stevig vast en wees op uw hoede.
- Wanneer de boor klemraakt, keert u met de omkeerschakelaar de draairichting om, om de boor uit het gat te krijgen. Pas echter op en houd het gereedschap stevig vast, aangezien het anders uit het gat weg kan schieten.
- Kleine werstukken dient u altijd eerst vast te zetten met een klem Schroef of iets dergelijks.

Boren met de diamant kroonboor

Voor boren met de diamant kroonboor dient de boorwerkingskeuzehendel altijd in de  positie voor “alleen boren” te worden gezet.

LET OP:

Indien u de diamant kroonboor gebruikt voor “hamerend boren”, kan de diamant kroonboor beschadigd raken.

ONDERHOUD

LET OP:

Zorg er altijd voor dat het gereedschap is uitgeschakeld en de stekker uit het stopcontact is verwijderd alvorens werken aan de machine uit te voeren.

Opdat het gereedschap veilig en betrouwbaar blijft, dienen alle reparaties, onderhoud of afstellingen te worden uitgevoerd bij een erkend Makita service centrum.

ACCESSOIRES

LET OP:

Deze accessoires of hulpstukken worden aanbevolen voor gebruik met het Makita gereedschap dat in deze gebruiksaanwijzing wordt beschreven. Het gebruik van andere accessoires of hulpstukken kan gevaar voor persoonlijke verwonding opleveren. Gebruik de accessoires of hulpstukken uitsluitend voor het gespecificeerde doel.

Wenst u meer informatie over deze accessoires, neem dan contact op met het dichtstbijzijnde Makita servicecentrum.

- Dieptemaat
- Zijhandgreep
- Plastic draagtas
- Blaasbalgje
- Stofvanger
- Puntbeitel
- Koudbeitel
- Bikbeitel
- Sponningbeitel
- Boor met SDS Plus wolframcarbide boorpunt
- Boorkop
- Boorkop-adapter
- Boorkopmontage
- Sleutellose boorkop
- Boorkopsleutel
- Boorvet
- Hulpstuk voor stofafscheiding
- Veiligheidsbril

ENGLISH**EC-DECLARATION OF CONFORMITY**

We declare under our sole responsibility that this product is in compliance with the following standards of standardized documents,

EN60745, EN55014, EN61000

in accordance with Council Directives, 89/336/EEC and 98/37/EC.

FRANÇAISE**DÉCLARATION DE CONFORMITÉ CE**

Nous déclarons sous notre entière responsabilité que ce produit est conforme aux normes des documents standardisés suivants,

EN60745, EN55014, EN61000

conformément aux Directives du Conseil, 89/336/CEE et 98/37/EG.

DEUTSCH**CE-KONFORMITÄTSERKLÄRUNG**

Hiermit erklärt wir unter unserer alleinigen Verantwortung, daß dieses Produkt gemäß den Ratsdirektiven 89/336/EWG und 98/37/EG mit den folgenden Normen von Normendokumenten übereinstimmen:

EN60745, EN55014, EN61000.

ITALIANO**DICHIARAZIONE DI CONFORMITÀ
CON LE NORME DELLA COMUNITÀ EUROPEA**

Dichiariamo sotto la nostra sola responsabilità che questo prodotto è conforme agli standard di documenti standardizzati seguenti:

EN60745, EN55014, EN61000

secondo le direttive del Consiglio 89/336/CEE e 98/37/CE.

NEDERLANDS**EG-VERKLARING VAN CONFORMITEIT**

Wij verklaren hierbij uitsluitend op eigen verantwoordelijkheid dat dit produkt voldoet aan de volgende normen van genormaliseerde documenten,

EN60745, EN55014, EN61000

in overeenstemming met de richtlijnen van de Raad 89/336/EEC en 98/37/EC.

ESPAÑOL**DECLARACIÓN DE CONFORMIDAD DE LA CE**

Declaramos bajo nuestra sola responsabilidad que este producto cumple con las siguientes normas de documentos normalizados,

EN60745, EN55014, EN61000

de acuerdo con las directivas comunitarias, 89/336/EEC y 98/37/CE.

Yasuhiko Kanzaki **CE 2005**



Director	Amministratore
Directeur	Directeur
Direktor	Director

MAKITA INTERNATIONAL EUROPE LTD.

Michigan Drive, Tongwell, Milton Keynes,
Bucks MK15 8JD, ENGLAND

Responsible manufacturer:	Produttore responsabile:
Fabricant responsable :	Verantwoordelijke fabrikant:
Verantwortlicher Hersteller:	Fabricante responsable:

Makita Corporation Anjo Aichi Japan

PORTUGUÊS**DECLARAÇÃO DE CONFORMIDADE DA CE**

Declaramos sob inteira responsabilidade que este produto obedece às seguintes normas de documentos normalizados,

EN60745, EN55014, EN61000

de acordo com as directivas 89/336/CEE e 98/37/CE do Conselho.

DANSK**EU-DEKLARATION OM KONFORMITET**

Vi erklærer hermed på eget ansvar, at dette produkt er i overensstemmelse med de følgende standarder i de norm-sættende dokumenter,

EN60745, EN55014, EN61000

i overensstemmelse med Rådets Direktiver 89/336/EEC og 98/37/EC.

SVENSKA**EG-DEKLARATION OM ÖVERENSSTÄMMELSE**

Under eget ansvar deklarerar vi härmed att denna produkt överensstämmer med följande standardiseringar för standardiserade dokument,

EN60745, EN55014, EN61000

i enlighet med EG-direktiven 89/336/EEC och 98/37/EC.

NORSK**EU's SAMSVARS-ERKLÆRING**

Vi erklærer på eget ansvar at dette produktet er i overensstemmelse med følgende standard i de standardiserte dokumenter:

EN60745, EN55014, EN61000,

i samsvar med Råds-direktivene, 89/336/EEC og 98/37/EC.

SUOMI**VAKUUTUS EC-VASTAAVUUDESTA**

Yksinomaisesti vastuullisina ilmoitamme, että tämä tuote on seuraavien standardoitujen dokumenttien standardien mukainen,

EN60745, EN55014, EN61000

neuvoston direktiivien 89/336/EEC ja 98/37/EC mukaisesti.

ΕΛΛΗΝΙΚΑ**ΔΗΛΩΣΗ ΣΥΜΜΟΡΦΩΣΗΣ ΕΚ**

Δηλώνουμε υπό την μοναδική μας ευθύνη ότι αυτό το προϊόν βρίσκεται σε Συμφωνία με τα ακόλουθα πρότυπα τυποποιημένων εγγράφων,

EN60745, EN55014, EN61000

σύμφωνα με τις Οδηγίες του Συμβουλίου, 89/336/EEC και 98/37/ΚΕ.

Yasuhiko Kanzaki CE 2005



Director	Διευθυντής
Direktør	Johtaja
Direktör	Διευθυντής

MAKITA INTERNATIONAL EUROPE LTD.

Michigan Drive, Tongwell, Milton Keynes,
Bucks MK15 8JD, ENGLAND

Fabricante responsável:	Ανσvarlig produsent:
Ansvarlig fabrikant:	Vastaava valmistaja:
Ansvarig tillverkare:	Υπεύθυνος κατασκευαστής:

Makita Corporation Anjo Aichi Japan

ENGLISH**For European countries only****Noise and Vibration**

The typical A-weighted noise levels are
 sound pressure level: 89 dB (A)
 sound power level: 100 dB (A)
 Uncertainty is 3 dB (A).

– Wear ear protection. –

The typical weighted root mean square acceleration value is 9 m/s^2 .

These values have been obtained according to EN60745.

FRANÇAISE**Pour les pays d'Europe uniquement****Bruit et vibrations**

Les niveaux de bruit ponderés types A sont:
 niveau de pression sonore: 89 dB (A)
 niveau de puissance du son: 100 dB (A)
 L'incertitude de mesure est de 3 dB (A).

– Porter des protecteurs anti-bruit. –

L'accélération pondérée est de 9 m/s^2 .

Ces valeurs ont été obtenues selon EN60745.

DEUTSCH**Nur für europäische Länder****Geräusch- und Vibrationsentwicklung**

Die typischen A-bewerteten Geräuschpegel betragen:
 Schalldruckpegel: 89 dB (A)
 Schalleistungspegel: 100 dB (A)
 Die Abweichung beträgt 3 dB (A).

– Gehörschutz tragen. –

Der gewichtete Effektivwert der Beschleunigung beträgt 9 m/s^2 .

Diese Werte wurden gemäß EN60745 erhalten.

ITALIANO**Modello per l'Europa soltanto****Rumore e vibrazione**

I livelli del rumore pesati secondo la curva A sono:
 Livello pressione sonora: 89 dB (A)
 Livello potenza sonora: 100 dB (A)
 L'incertezza è di 3 dB (A).

– Indossare i paraorecchi. –

Il valore quadratico medio di accelerazione è di 9 m/s^2 .

Questi valori sono stati ottenuti in conformità EN60745.

NEDERLANDS**Alleen voor Europese landen****Geluidsniveau en trilling**

De typische A-gewogen geluidsniveau's zijn
 geluidsdrukniveau: 89 dB (A)
 geluidsenergie-niveau: 100 dB (A)
 Onzekerheid is 3 dB (A).

– Draag oorbeschermers. –

De typische gewogen effectieve versnellingswaarde is 9 m/s^2 .

Deze waarden werden verkregen in overeenstemming met EN60745.

ESPAÑOL**Para países europeos solamente****Ruido y vibración**

Los niveles típicos de ruido ponderados A son
 presión sonora: 89 dB (A)
 nivel de potencia sonora: 100 dB (A)
 Incerteza 3 dB (A).

– Póngase protectores en los oídos. –

El valor ponderado de la aceleración es de 9 m/s^2 .

Estos valores han sido obtenidos de acuerdo con EN60745.

PORTUGUÊS**Só para países Europeus****Ruído e vibração**

Os níveis normais de ruído A são
 nível de pressão de som: 89 dB (A)
 nível do som: 100 dB (A)
 A incerteza é de 3 dB (A).
 – Utilize protectores para os ouvidos –
 O valor médio da aceleração é 9 m/s^2 .
 Estes valores foram obtidos de acordo com EN60745.

DANSK**Kun for lande i Europa****Lyd og vibration**

De typiske A-vægtede lydniveauer er
 lydtryksniveau: 89 dB (A)
 lydeffektniveau: 100 dB (A)
 Der er en usikkerhed på 3 dB (A).
 – Bær høreværn. –
 Den vægtede effektive accelerationsværdi er 9 m/s^2 .
 Disse værdier er beregnet i overensstemmelse med EN60745.

SVENSKA**Endast för Europa****Buller och vibration**

De typiska A-vägda bullernivåerna är
 ljudtrycksnivå: 89 dB (A)
 ljudeffektnivå: 100 dB (A)
 Osäkerheten är 3 dB (A).
 – Använd hörselskydd –
 Det typiskt vägda effektivvärdet för acceleration är 9 m/s^2 .
 Dessa värden har erhållits i enlighet med EN60745.

NORSK**Gjelder bare land i Europa****Støy og vibrasjon**

De vanlige A-belastede støynivå er
 lydtrykksnivå: 89 dB (A)
 lydstyrkenivå: 100 dB (A)
 Usikkerheten er på 3 dB (A).
 – Benytt hørselvern. –
 Den vanlig belastede effektiv-verdi for akselerasjon er 9 m/s^2 .
 Disse verdiene er beregnet eller målt i samsvar med EN60745.

SUOMI**Vain Euroopan maat****Melutaso ja värinä**

Tyypilliset A-painotetut melutasot ovat
 äänenpainetaso: 89 dB (A)
 äänen tehotaso: 100 dB (A)
 Epävarmuus on 3 dB (A).
 – Käytä kuulosuojaimia. –
 Tyypillinen kiihtyvyyden painotettu tehollisarvo on 9 m/s^2 .
 Näämä arvot on mitattu normin EN60745 mukaisesti.

ΕΛΛΗΝΙΚΑ**Μόνο για χώρες της Ευρώπης****Θόρυβος και κραδασμός**

Οι τυπικές Α-μετρούμενες εντάσεις ήχου είναι
 πίεση ήχου: 89 dB (A)
 δύναμη του ήχου: 100 dB (A)
 Η Αβεβαιότητα είναι 3 dB (A).
 – Φοράτε ωτοασπίδες. –
 Η τυπική αξία της μετρούμενης ρίζας του μέσου τετραγώνου της επιτάχυνσης είναι 9 m/s^2 .
 Αυτές οι τιμές έχουν σημειωθεί σύμφωνα με το EN60745.

Makita Corporation

Anjo, Aichi, Japan

8844251991

Free Manuals Download Website

<http://myh66.com>

<http://usermanuals.us>

<http://www.somanuals.com>

<http://www.4manuals.cc>

<http://www.manual-lib.com>

<http://www.404manual.com>

<http://www.luxmanual.com>

<http://aubethermostatmanual.com>

Golf course search by state

<http://golfingnear.com>

Email search by domain

<http://emailbydomain.com>

Auto manuals search

<http://auto.somanuals.com>

TV manuals search

<http://tv.somanuals.com>