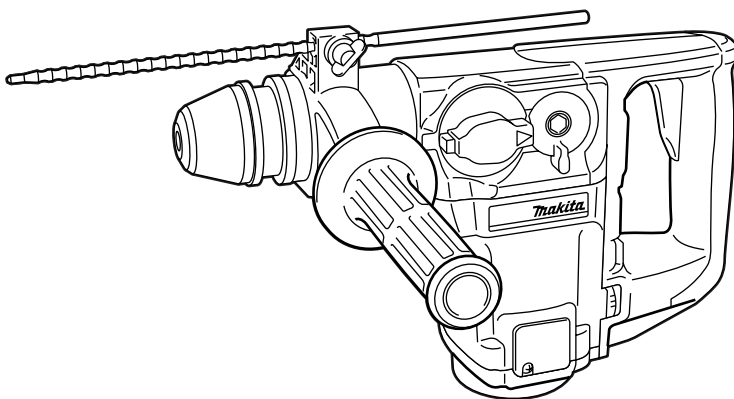
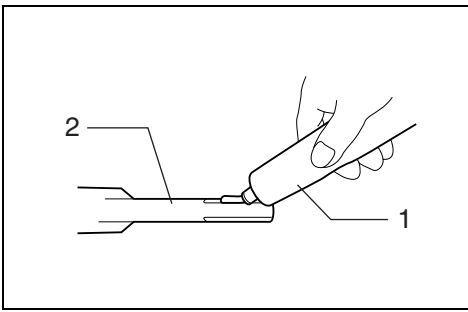


# Makita®

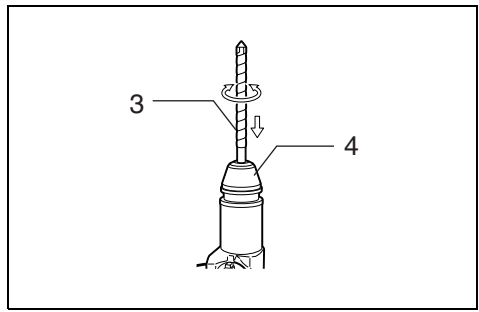
<b>GB</b>	<b>Rotary Hammer</b>	<b>Instruction Manual</b>
<b>F</b>	<b>Perforateur</b>	<b>Manuel d'instructions</b>
<b>D</b>	<b>Bohrhammer</b>	<b>Betriebsanleitung</b>
<b>I</b>	<b>Martello rotativo</b>	<b>Istruzioni per l'uso</b>
<b>NL</b>	<b>Boorhamer</b>	<b>Gebruiksaanwijzing</b>
<b>E</b>	<b>Martillo rotativo</b>	<b>Manual de instrucciones</b>
<b>P</b>	<b>Martelo misto</b>	<b>Manual de instruções</b>
<b>DK</b>	<b>Borehammer</b>	<b>Brugsanvisning</b>
<b>S</b>	<b>Borrhammare</b>	<b>Bruksanvisning</b>
<b>N</b>	<b>Borhammer</b>	<b>Bruksanvisning</b>
<b>SF</b>	<b>Poravasara</b>	<b>Käyttöohje</b>
<b>GR</b>	<b>Περιστροφικό σφυρί</b>	<b>Οδηγίες χρήσεως</b>

## HR3000C

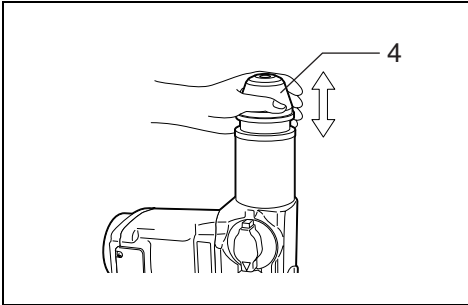




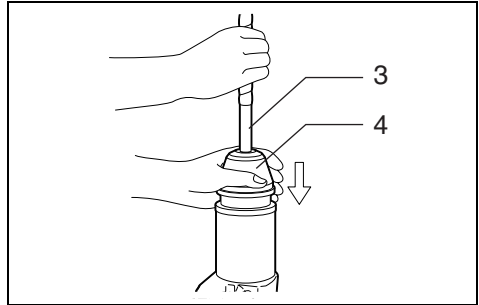
1



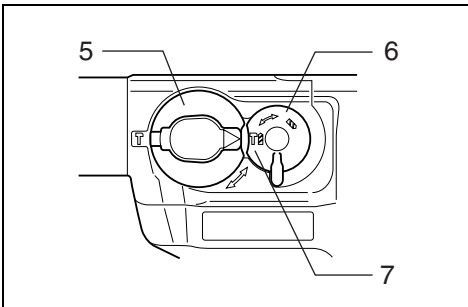
2



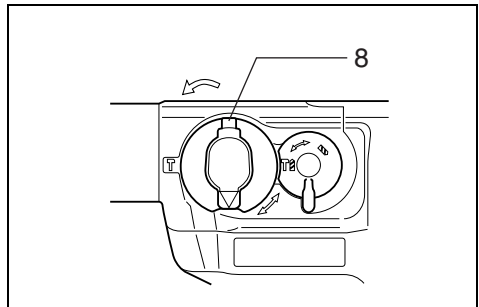
3



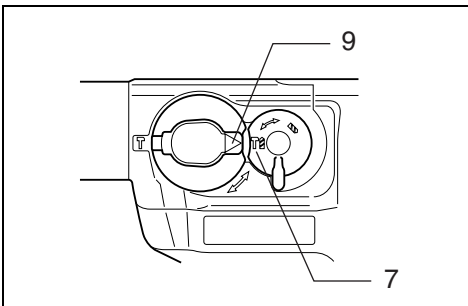
4



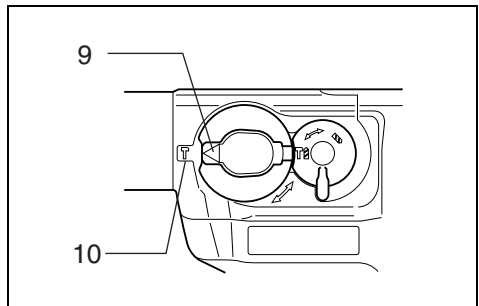
5



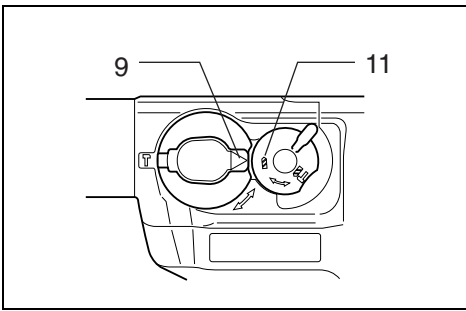
6



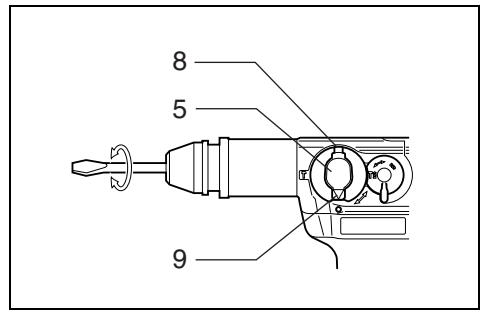
7



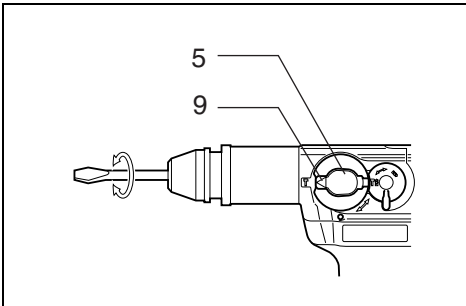
8



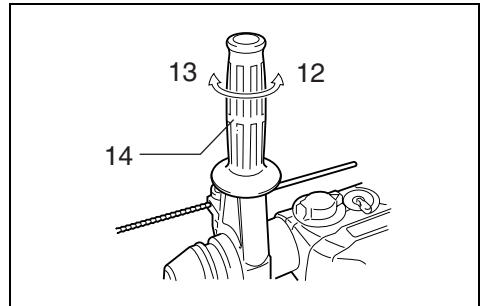
9



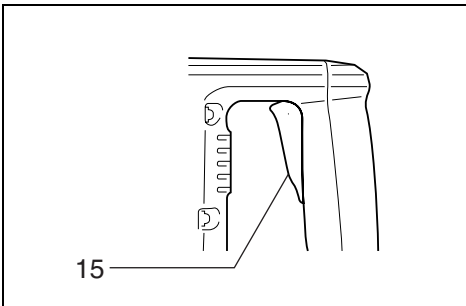
10



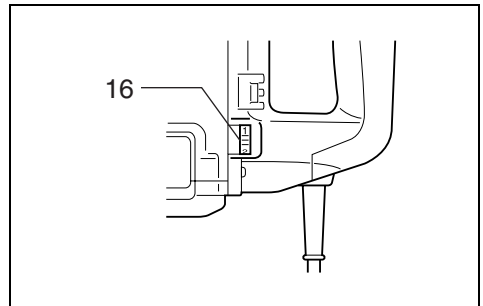
11



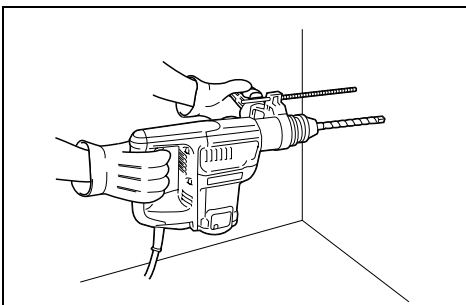
12



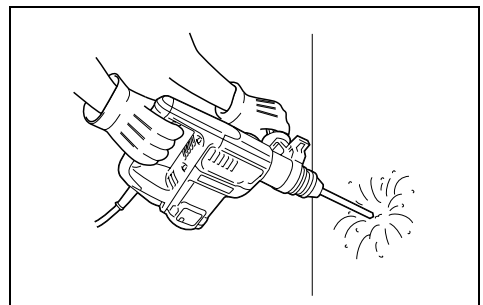
13



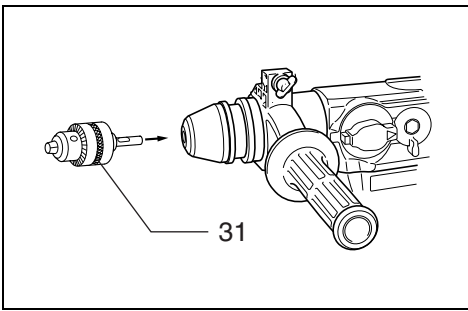
14



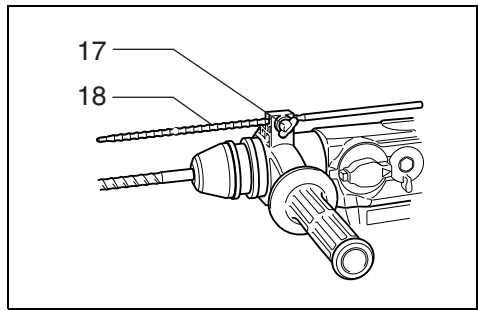
15



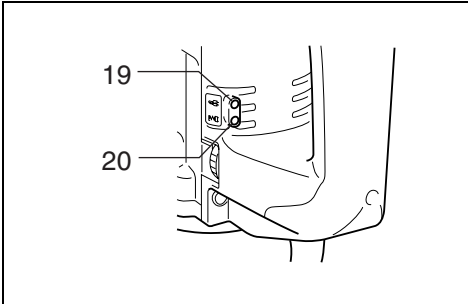
16



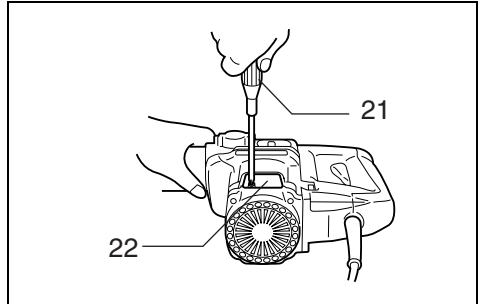
17



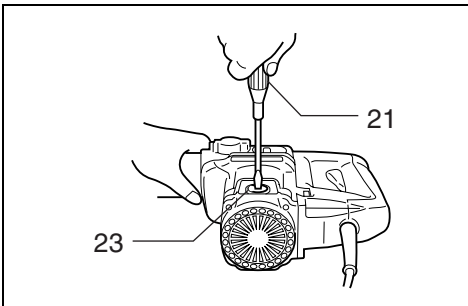
18



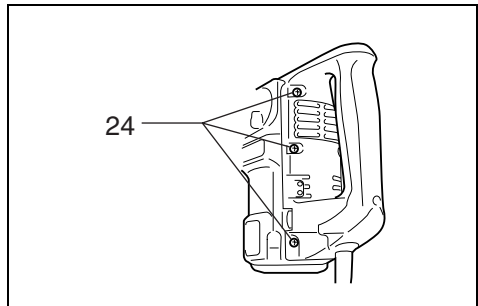
19



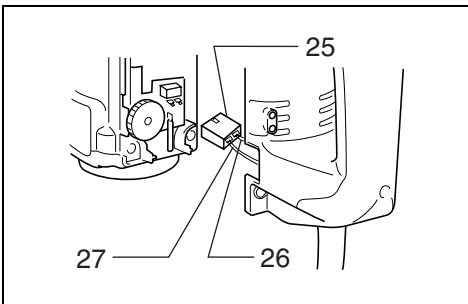
20



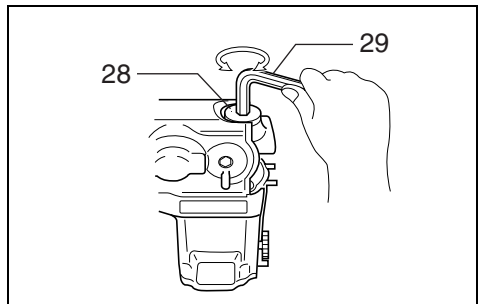
21



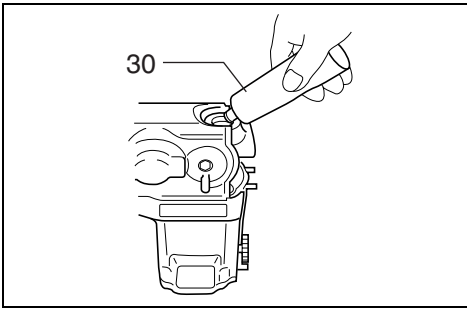
22



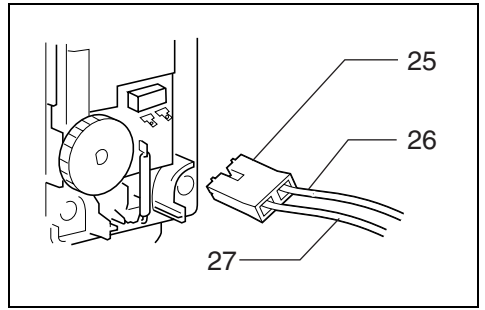
23



24



**25**



**26**

**Explanation of general view**

1 Bit grease	11 "Rotation only" symbol	21 Screwdriver
2 Bit shank	12 Loosen	22 Brush holder cover
3 Bit	13 Tighten	23 Brush holder cap
4 Chuck cover	14 Side grip	24 Screws
5 Change lever	15 Switch trigger	25 Connector
6 Shift lever	16 Adjusting dial	26 Black
7 "Rotation with hammering" symbol	17 Clamp screw	27 White
8 Lock button	18 Depth gauge	28 Crank cap
9 Pointer	19 Power-ON indicator lamp (green)	29 Hex wrench
10 "Hammering only" symbol	20 Service indicator lamp (red)	30 Hammer grease
		31 Drill chuck

**SPECIFICATIONS**

<b>Model</b>	<b>HR3000C</b>
<b>Capacities</b>	
Tungsten-carbide tipped bit .....	30 mm
Core bit .....	90 mm
Wood .....	30 mm
Steel .....	13 mm
No load speed (min <sup>-1</sup> ) .....	360–720
Blows per minute .....	1,650–3,300
Overall length .....	391 mm
Net weight .....	4.8 kg

- Due to our continuing program of research and development, the specifications herein are subject to change without notice.
- Note: Specifications may differ from country to country.

**Power supply**

The tool should be connected only to a power supply of the same voltage as indicated on the nameplate, and can only be operated on single-phase AC supply. They are double-insulated in accordance with European Standard and can, therefore, also be used from sockets without earth wire.

**Safety hints**

For your own safety, please refer to enclosed the safety instructions.

**SPECIFIC SAFETY RULES**

GEB007-2

**DO NOT let comfort or familiarity with product (gained from repeated use) replace strict adherence to rotary hammer safety rules. If you use this tool unsafely or incorrectly, you can suffer serious personal injury.**

1. **Wear ear protectors.** Exposure to noise can cause hearing loss.
2. **Use auxiliary handles supplied with the tool.** Loss of control can cause personal injury.
3. **Hold power tools by insulated gripping surfaces when performing an operation where the cutting tool may contact hidden wiring or its own cord.** Contact with a "live" wire will make exposed metal parts of the tool "live" and shock the operator.
4. **Wear a hard hat (safety helmet), safety glasses and/or face shield. Ordinary eye or sun glasses are NOT safety glasses. It is also highly recommended that you wear a dust mask and thickly padded gloves.**

5. **Be sure the bit is secured in place before operation.**
6. **Under normal operation, the tool is designed to produce vibration. The screws can come loose easily, causing a breakdown or accident. Check tightness of screws carefully before operation.**
7. **In cold weather or when the tool has not been used for a long time, let the tool warm up for a while by operating it under no load. This will loosen up the lubrication. Without proper warm-up, hammering operation is difficult.**
8. **Always be sure you have a firm footing. Be sure no one is below when using the tool in high locations.**
9. **Hold the tool firmly with both hands.**
10. **Keep hands away from moving parts.**
11. **Do not leave the tool running. Operate the tool only when hand-held.**
12. **Do not point the tool at any one in the area when operating. The bit could fly out and injure someone seriously.**
13. **Do not touch the bit or parts close to the bit immediately after operation; they may be extremely hot and could burn your skin.**
14. **Some material contains chemicals which may be toxic. Take caution to prevent dust inhalation and skin contact. Follow material supplier safety data.**

**SAVE THESE INSTRUCTIONS.**

**WARNING:**

**MISUSE or failure to follow the safety rules stated in this instruction manual may cause serious personal injury.**

## OPERATING INSTRUCTIONS

### Installing or removing bit

Important:

Always be sure that the tool is switched off and unplugged before installing or removing the bit.

Clean the bit shank and apply the bit grease provided to it before installing the bit. (Fig. 1)

Insert the bit into the tool. Turn the bit and push it in until it engages. (Fig. 2)


If the bit cannot be pushed in, remove the bit. Pull the chuck cover down a couple of times. Then insert the bit again. Turn the bit and push it in until it engages. (Fig. 3)

After installing, always make sure that the bit is securely held in place by trying to pull it out. To remove the bit, pull the chuck cover down all the way and pull the bit out. (Fig. 4)


### Selecting action mode

When selecting an action mode, first set the change lever and the shift lever to the position shown in Fig. 5. Then proceed as follows.


#### Rotation with hammering (Fig. 6 & 7)

For drilling in concrete, masonry, etc., depress the lock button and rotate the change lever so that the pointer points to the  symbol. Use a tungsten- carbide tipped bit.

#### Hammering only (Fig. 6 & 8)

For chipping, scaling or demolition operations, depress the lock button and rotate the change lever so that the pointer points to the  symbol. Use a bull point, cold chisel, scaling chisel, etc.

#### Rotation only (Fig. 6 & 9)

For drilling in wood, metal or plastic materials, rotate the shift lever so that the  symbol is aligned with the pointer on the change lever. Use a twist drill bit or wood bit.


CAUTION:

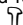
- Do not rotate the change lever and/or the shift lever when the tool is running under load. The tool will be damaged.
- To avoid rapid wear on the mode change mechanism, be sure that the change lever and/or the shift lever is always positively located in one of the three action mode positions.
- The action mode cannot be changed directly from “hammering only” to “rotation only” or from “rotation only” to “hammering only”. First set the change lever and the shift lever to “rotation with hammering” mode position shown in Fig. 5. Then set them to the position for “hammering only” or “rotation only”.

### Bit angle (when chipping, scaling or demolishing)

Important:

Always be sure that the tool is switched off and unplugged before changing the bit angle.

The bit can be secured at 12 different angles. To change the bit angle, depress the lock button and rotate the change lever so that the pointer points to the  symbol. Turn the bit to the desired angle. (Fig. 10)

Depress the lock button and rotate the change lever so that the pointer points to the  symbol.

Then make sure that the bit is securely held in place by turning it slightly. (Fig. 11)

### Side grip (Fig. 12)

CAUTION:

- Always use the side grip to ensure operating safety when drilling in concrete, masonry, etc.
- When the bit begins to break through concrete or if the bit strikes reinforcing rods embedded in concrete, the tool may react dangerously. Maintain good balance and safe footing while holding the tool firmly with both hands to prevent dangerous reaction.

The side grip swings around to either side, allowing easy handling of the tool in any position. Loosen the side grip by turning it counterclockwise, swing it to the desired position and then tighten it by turning clockwise.

### Switch action (Fig. 13)

CAUTION:

Before plugging in the tool, always check to see that the switch trigger actuates properly and returns to the “OFF” position when released.

To start the tool, simply pull the trigger. Release the trigger to stop.

### Speed change (Fig. 14)


The revolutions and blows per minute can be adjusted just by turning the adjusting dial. The dial is marked 1 (lowest speed) to 6 (full speed). Refer to the table below for the relationship between the number settings on the adjusting dial and the revolutions/blows per minute.

Number on adjusting dial	Revolutions per minute	Blows per minute
6	720	3,300
5	690	3,150
4	590	2,700
3	490	2,250
2	390	1,800
1	360	1,650

### Hammer drilling operation (Fig. 15)

CAUTION:

When the bit begins to break through concrete or if the bit strikes reinforcing rods embedded in concrete, the tool may react dangerously. Maintain good balance and safe footing while holding the tool firmly with both hands to prevent dangerous reaction.

Set the change lever and the shift lever to the  symbol. Position the bit at the location for the hole, then pull the trigger. Do not force the tool. Light pressure gives best results. Keep the tool in position and prevent it from slipping away from the hole.

Do not apply more pressure when the hole becomes clogged with chips or particles. Instead, run the tool at an idle, then remove from the hole. By repeating this several times, the hole will be cleaned out.


## Torque limiter

The torque limiter will actuate when a certain torque level is reached. The motor will disengage from the output shaft. When this happens, the bit will stop turning.

### CAUTION:


As soon as the torque limiter actuates, switch off the tool immediately. This will help prevent premature wear of the tool.

## Chipping/Scaling/Demolition (Fig. 16)

Set the change lever and the shift lever to the  symbol. Hold the tool firmly with both hands. Turn the tool on and apply slight pressure on the tool so that the tool will not bounce around, uncontrolled. Pressing very hard on the tool will not increase the efficiency.

## Drilling operation (Fig. 17)

Use the optional drill chuck assembly. When installing it, refer to "Installing or removing drill bit" described on the previous page. You can drill up to 13 mm diameter in metal and up to 30 mm diameter in wood.

Set the change lever and the shift lever to the  symbol.

### • Drilling in wood

When drilling in wood, best results are obtained with wood drills equipped with a guide screw. The guide screw makes drilling easier by pulling the bit into the workpiece.

### • Drilling in metal

To prevent the bit from slipping when starting a hole, make an indentation with a centerpunch and hammer at the point to be drilled. Place the point of the bit in the indentation and start drilling.

Use a cutting lubricant when drilling metals. The exception is brass which should be drilled dry.

### CAUTION:

- Pressing excessively on the tool will not speed up the drilling. In fact, this excessive pressure will only serve to damage the tip of your bit, decrease the tool performance and shorten the service life of the tool.
- Never use "rotation with hammering" when the drill chuck assembly is installed on the tool. The drill chuck assembly may be damaged.

## Depth gauge (Fig. 18)

The depth gauge is convenient for drilling holes of uniform depth. Loosen the clamp screw and adjust the depth gauge to the desired depth. After adjusting, tighten the clamp screw firmly.

### NOTE:

The depth gauge cannot be used at the position where the depth gauge strikes against the gear housing/motor housing.

## Indicator lamp (Fig. 19)

The green power-ON indicator lamp lights up when the tool is switched ON. If the indicator lamp is lit but the tool does not start, the carbon brushes may be worn out, or the electric circuit or the motor may be defective. If the indicator lamp does not light up and the tool does not start, the ON/OFF switch or the mains cord may be defective.

The red service indicator lamp lights up when the carbon brushes are nearly worn out to indicate that the tool needs servicing. After approx. 8 hours of use, the motor will automatically be shut off.

## MAINTENANCE

### CAUTION:

Always be sure that the tool is switched off and unplugged before carrying out any work on the tool.

## Replacement of carbon brushes (Fig. 20 & 21)

Whenever carbon brushes must be replaced, they cut out the tool automatically. When this occurs, remove the screws which secure the brush holder cover. Remove the brush holder cover and brush holder cap. Then replace both carbon brushes at the same time. Use only identical carbon brushes.

## Lubrication

This tool requires no hourly or daily lubrication because it has a grease-packed lubrication system. Lubricate the tool every time the carbon brushes are replaced.

Run the tool for several minutes to warm it up. Switch off and unplug the tool.

Loosen the six screws and remove the handle. Note that the top screws are different from other screws. (Fig. 22) Disconnect the connector by pulling it. (Fig. 23)

Remove the crank cap using a hex wrench. (Fig. 24)

Rest the tool on the table with the bit end pointing upwards. This will allow the old grease to collect inside the crank housing. Wipe out the old grease inside and replace with a fresh grease (30 g). Use only Makita genuine hammer grease (optional accessory). Filling with more than specified amount of grease (approx. 30 g) can cause faulty hammering action or tool failure. Fill only with the specified amount of grease. Reinstall the crank cap and tighten with the hex wrench. (Fig. 25)

Connect the connector and reinstall the handle. (Fig. 26)

### CAUTION:

- Be careful not to damage the terminals or lead wires especially when wiping out the old grease or installing the handle.
- Do not tighten the crank cap excessively. It is made of resin and is subject to breakage.

To maintain product safety and reliability, repairs, maintenance or adjustment should be carried out by a Makita Authorized Service Center.

## ACCESSORIES

### CAUTION:

These accessories or attachments are recommended for use with your Makita tool specified in this manual. The use of any other accessories or attachments might present a risk of injury to persons. Only use accessory or attachment for its stated purpose.

If you need any assistance for more details regarding these accessories, ask your local Makita service center.

- SDS Plus Tungsten-carbide tipped bit
- Bull point
- Cold chisel
- Hammer grease (30 g)
- Bit grease (100 g)
- Depth gauge
- Blow-out bulb
- Dust cup
- Safety goggles
- Drill chuck
- Chuck key S13
- Plastic carrying case
- Side grip



Verklaring van algemene gegevens

1 Boorvet	12 Losdraaien	22 Kap van koolborstelhouder
2 Boorschacht	13 Vastdraaien	23 Dop van koolborstelhouder
3 Boor	14 Zijgreep	24 Schroeven
4 Boorkopdeksel	15 Trekschakelaar	25 Aansluitkleem
5 Wisselhefboom	16 Afsteldraaiknop	26 Zwart
6 Schakelhefboom	17 Klenschroef	27 Wit
7 "Boren plus hameren" symbool	18 Dieptemaat	28 Carterdop
8 Vergrendelknop	19 Spanning-INGESCHAKELD	29 Zeskantsleutel
9 Wijzer	controlelampje (groen)	30 Smeervet
10 "Alleen hameren" symbool	20 Slijtage-controlelampje (rood)	voor hamermechanisme
11 "Alleen boren" symbool	21 Schroevendraaier	31 Boorkop

TECHNISCHE GEGEVENS

<b>Model</b>	<b>HR3000C</b>
Capaciteiten	
Boor met wolframcarbide punt .....	30 mm
Kernboor .....	90 mm
Hout .....	30 mm
Staal .....	13 mm
Toerental onbelast (min <sup>-1</sup> ) .....	360 – 720
Slagen per minuut .....	1 650 – 3 300
Totale lengte .....	391 mm
Netto gewicht .....	4,8 kg

- In verband met ononderbroken research en ontwikkeling behouden wij ons het recht voor bovenstaande technische gegevens te wijzigen zonder voorafgaande kennisgeving.
- Opmerking: De technische gegevens kunnen van land tot land verschillen.

Stroomvoorziening

De machine mag alleen worden aangesloten op een stroombron van hetzelfde voltage als aangegeven op de naamplaat, en kan alleen op enkel-fase wisselstroom worden gebruikt. De machine is dubbel-geïsoleerd volgens de Europese standaard en kan derhalve ook op een niet-geaard stopcontact worden aangesloten.

Veiligheidswenken

Voor uw veiligheid dient u de bijgevoegde Veiligheidsvoorschriften nauwkeurig op te volgen.

**AANVULLENDE  
VEILIGHEIDSVOORSCHRIFTEN**

Laat u NIET misleiden door een vals gevoel van comfort en bekendheid met het gereedschap (na veelvuldig gebruik) en neem alle veiligheidsvoorschriften van de boorhamer altijd strikt in acht. Bij onveilig of verkeerd gebruik van het gereedschap, bestaat de kans op ernstig persoonlijk letsel.

1. **Draag gehoorbescherming.** Blootstelling aan harde geluiden kan leiden tot gehoorbeschadiging.
2. **Gebruik de hulphandgrepen die bij het gereedschap worden geleverd.** Als u de controle over het gereedschap verliest, kan dit leiden tot ernstig persoonlijk letsel.
3. **Houd elektrisch gereedschap vast aan het geïsoleerde oppervlak van de handgrepen wanneer u werkt op plaatsen waar het zaaggereedschap met verborgen bedrading of zijn eigen snoer in aanraking kan komen.** Door contact met onder spanning staande draden, zullen de niet-geïsoleerde metalen delen van het gereedschap onder spanning komen te staan zodat de gebruiker een elektrische schok kan krijgen.

4. **Draag een veiligheidshelm, veiligheidsbril en/of gezichtsbescherming.** Een gewone bril of een zonnebril is GEEN veiligheidsbril. Het wordt tevens sterk aanbevolen een stofmasker en dik gevoerde handschoenen te dragen.
5. **Controleer dat het bit stevig op zijn plaats is vastgezet voordat u het gereedschap gebruikt.**
6. **Bij normale bediening behoort het gereedschap te trillen.** De schroeven kunnen gemakkelijk losraken, waardoor een defect of ongeluk kan ontstaan. Controleer of de schroeven goed zijn aangedraaid, alvorens het gereedschap te gebruiken.
7. **In koude weersomstandigheden of wanneer het gereedschap gedurende een lange tijd niet is gebruikt, laat u het gereedschap eerst opwarmen door het onbelast te laten werken.** Hierdoor zal de smering worden verbeterd. Zonder degelijk opwarmen, zal de hamerwerking moeilijk zijn.
8. **Zorg er altijd voor dat u stevig staat.** Zorg ervoor dat er niemand zich onder u bevindt wanneer u het gereedschap op een hoge plaats gebruikt.
9. **Houd het gereedschap met beide handen stevig vast.**
10. **Houd uw handen uit de buurt van bewegende delen.**
11. **Laat het gereedschap niet ingeschakeld liggen.** Bedien het gereedschap alleen wanneer u het vasthoudt.
12. **Richt het gereedschap niet op iemand in de buurt terwijl het is ingeschakeld.** Het bit zou eruit kunnen vliegen en iemand ernstig verwonden.
13. **Raak het bit en onderdelen in de buurt van het bit niet onmiddellijk na gebruik aan.** Zij kunnen bijzonder heet zijn en brandwonden op uw huid veroorzaken.
14. **Sommige materialen bevatten chemische stoffen die giftig kunnen zijn.** Neem de nodige voorzorgsmaatregelen tegen inademing van stof en contact met de huid. Volg de veiligheidsinstructies van de leverancier van het materiaal op.

**BEWAAR DEZE VOORSCHRIFTEN.**

**WAARSCHUWING:**

**VERKEERD GEBRUIK** of het niet naleven van de veiligheidsvoorschriften in deze gebruiksaanwijzing kan leiden tot ernstige verwondingen.

## BEDIENINGSVOORSCHRIFTEN

### Installeren of verwijderen van de boor

Belangrijk:

Controleer altijd of de machine is uitgeschakeld en de stekker uit het stopcontact is getrokken, alvorens de boor te installeren of te verwijderen.

Reinig de boorschacht en smeer er boorvet (bijgeleverd) op alvorens de boor te installeren. (Fig. 1)

Steek de boor in de machine. Draai de boor en duw deze naar binnen tot zij vergrendelt. (Fig. 2)

Indien de boor niet naar binnen kan worden geduwd, dient u deze eruit te nemen en het boorkopdeksel enkele keren omlaag te trekken. Steek dan de boor opnieuw erin. Draai de boor en duw deze naar binnen tot zij vergrendelt. (Fig. 3)


Nadat de boor is geïnstalleerd, moet u altijd controleren of de boor goed vastzit door te proberen hem eruit te trekken.

Om de boor te verwijderen, trekt u het boorkopdeksel helemaal omlaag en dan trekt u de boor eruit. (Fig. 4)

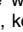
### Kiezen van de gewenste werking

Om een bepaalde werking te selecteren, dient u eerst de wisselhefboom en de schakelhefboom in de positie afgebeeld in Fig. 5 te zetten. Ga daarna als volgt te werk.

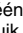
#### Boren plus hameren (Fig. 6 en 7)

Voor boren in beton, metselwerk e.d., drukt u de vergrendelknop in en draait u de wisselhefboom zodat de wijzer naar het  symbool wijst. Gebruik een boor met een wolframcarbide punt.

#### Alleen hameren (Fig. 6 en 8)

Voor beitelen, afbikken of slopen, drukt u de vergrendelknop in en draait u de wisselhefboom zodat de wijzer naar het  symbool wijst. Gebruik een bull point, koudbeitel, bikbeitel, enz.

#### Alleen boren (Fig. 6 en 9)

Voor boren in hout, metaal of plastic materialen, draait u de schakelhefboom zodat het  symbool op één lijn komt met de wijzer op de wisselhefboom. Gebruik een spiraalboor of een houtboor.

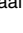
LET OP:

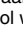
- Wijzig de positie van de wisselhefboom en/of de schakelhefboom niet terwijl de machine nog belast draait, aangezien de machine daardoor beschadigd zal raken.
- Om vroegtijdige slijtage van het wisselmechanisme te voorkomen, dient u de wisselhefboom en/of de schakelhefboom altijd juist in een van de drie werkingsposities te zetten.
- De werkingspositie kan niet direct van "alleen hameren" naar "alleen boren" en niet direct van "alleen boren" naar "alleen hameren" worden veranderd. Zet de wisselhefboom en de schakelhefboom eerst in de "boren plus hameren" positie afgebeeld in Fig. 5. Zet deze daarna in de positie voor "alleen hameren" of "alleen boren".

### Boorhoek (voor beitelen, afbikken of slopen)

Belangrijk:

Controleer altijd of de machine is uitgeschakeld en de stekker uit het stopcontact is getrokken, alvorens de boorhoek te wijzigen.

De boor kan bij 12 verschillende hoeken worden vastgezet. Om de boorhoek te wijzigen, drukt u de vergrendelknop in en draait u de wisselhefboom zodat de wijzer naar het  symbool wijst. Draai de boor naar de gewenste hoek. (Fig. 10)

Druk de vergrendelknop in en draai de wisselhefboom zodat de wijzer naar het  symbool wijst.

Draai daarna de boor een beetje om te controleren of deze goed vastzit. (Fig. 11)

### Zijgreep (Fig. 12)

LET OP:

- Om een veilige bediening te verzekeren, dient u de zijgreep altijd te gebruiken wanneer u gaat boren in beton, metselwerk, enz.
- Wanneer de boor door het beton heenkomt of op betonijzer stuit, kan de machine gevaarlijk vooruit- of terugschieten. Bewaar daarom tijdens het boren een goede balans en een stevige steun voor de voeten, en houd de machine met beide handen stevig vast.

De zijgreep kan naar beide zijden van de machine worden gedraaid, zodat de machine in elke positie gemakkelijk te hanteren is. Draai de zijgreep naar links los, draai hem naar de gewenste stand en draai hem vervolgens naar rechts vast.

### Werking van de schakelaar (Fig. 13)

LET OP:

Alvorens de stekker op een stopcontact aan te sluiten, dient u altijd te controleren of de trekschakelaar goed werkt en bij loslaten naar de "OFF" positie terugkeert.

Om de machine te starten, drukt u de trekschakelaar gewoon in. Laat de trekschakelaar los om te stoppen.

### Afstellen van de draaisnelheid (Fig. 14)

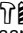
U kunt het aantal omwentelingen en slagen per minuut wijzigen door de afsteldraaiknop te verdraaien. De cijfers op de draaiknop geven de draaisnelheid aan van 1 (minimum) tot 6 (maximum). Raadpleeg de onderstaande tabel voor de verhouding tussen de cijfers op de draaiknop en het aantal omwentelingen/slagen per minuut.

Cijfers op draaiknop	Omwentelingen per minuut	Slagen per minuut
6	720	3 300
5	690	3 150
4	590	2 700
3	490	2 250
2	390	1 800
1	360	1 650

## Hamerboren (Fig. 15)

### LET OP:

Wanneer de boor door het beton heenkomt of op betonijzer stuit, kan de machine gevaarlijk vooruit- of terugschieten. Bewaar daarom tijdens het boren een goede balans en een stevige steun voor de voeten, en houd de machine met beide handen stevig vast.

Zet de wisselhefboom en de schakelhefboom in de  positie. Plaats de punt van de boor op de plaats waar geboord moet worden en druk dan de trekschakelaar in. Forceer de machine niet. Een lichte druk geeft de beste resultaten. Houd de machine stevig op zijn plaats en zorg dat deze niet uit het boorgat wegslijpt.

Oefen geen grotere druk uit op de machine wanneer het gat vol raakt met boorspanen of gruis. Laat in plaats daarvan de machine onbelast draaien en verwijder deze uit het gat. Door dit enkele keren te herhalen wordt het gat gezuiverd.

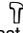
## Koppelbegrenzer

De koppelbegrenzer wordt geactiveerd wanneer een bepaald koppel wordt bereikt. De motor wordt dan ontkoppeld van de uitgangsas. Wanneer dit gebeurt, zal de boor ophouden met draaien.

### LET OP:


Schakel de machine uit zodra de koppelbegrenzer wordt geactiveerd. Hierdoor wordt vroegtijdige slijtage van de machine voorkomen.

## Beitelen/Afbikken/Slopen (Fig. 16)

Zet de wisselhefboom en de schakelhefboom in de  positie. Houd de machine met beide handen stevig vast. Schakel de machine in en oefen niet meer druk uit op de machine dan nodig is om deze onder controle te houden. Door grote kracht op de machine uit te oefenen verloopt het werk niet sneller.

## Boren (Fig. 17)

Gebruik de los verkrijgbare boorkopmontage. Om deze te monteren, zie "Aanbrengen of verwijderen van de boor" op de vorige pagina. U kunt nu boren tot een diameter van maximaal 13 mm in metaal en een diameter van maximaal 30 mm in hout.

Zet de wisselhefboom en de schakelhefboom in de  positie.

### • Boren in hout

Voor boren in hout krijgt u de beste resultaten met houtboren die voorzien zijn van een geleideschroef. Het boren gaat dan gemakkelijker aangezien de geleideschroef de boor in het hout trekt.

### • Boren in metaal

Wanneer u begint te boren, gebeurt het vaak dat de boor slijpt. Om dit te voorkomen, slaat u van tevoren met een drevel een deukje in het metaal op de plaats waar u wilt boren. Plaats vervolgens de boor in het deukje en start het boren.

Gebruik altijd boorolie wanneer u in metaal boort. De enige uitzonderingen is koper dat droog geboord dient te worden.

### LET OP:

• Door overmatige druk op het gereedschap uit te oefenen verloopt het boren niet sneller. Integendeel, teveel druk op het gereedschap zal alleen maar de boorpunt beschadigen, de prestatie van het gereedschap verminderen en de gebruiksduur verkorten.

• Gebruik nooit "roteren met hameren" wanneer de boorkop op het gereedschap is gemonteerd. De boorkop kan hierdoor namelijk beschadigd raken.

## Dieptemaat (Fig. 18)

De dieptemaat is handig voor het boren van gaten van gelijke diepte. Draai de klemmschroef los, stel de dieptemaat af op de gewenste diepte, en draai dan de klemmschroef weer stevig vast.

### OPMERKING:

De dieptemaat kan niet worden gebruikt in de positie waar deze tegen het tandwielhuis/motorhuis aanstoot.

## Controlelampje (Fig. 19)

Het groene spanning-INGESCHAKELD controlelampje gaat aan wanneer de machine wordt INGESCHAKELD. Indien het controlelampje brandt maar de machine niet start, zijn de koolborstels mogelijk versleten of is er een defect in de elektrische keten of de motor. Indien het controlelampje niet aangaat en de machine niet start, is de AAN/UIT schakelaar of het netsnoer mogelijk defect.

Het rode slijtage-controlelampje gaat aan wanneer de koolborstels bijna versleten zijn, om aan te geven dat de machine een onderhoudsbeurt nodig heeft. Na ongeveer 8 gebruiksuren zal de motor automatisch afslaan.

## ONDERHOUD

### LET OP:

Zorg er altijd voor dat de machine is uitgeschakeld en de stekker uit het stopcontact is verwijderd alvorens onderhoud aan de machine uit te voeren.

## Vervangen van de koolborstels (Fig. 20 en 21)

Wanneer de koolborstels aan vervanging toe zijn, wordt de machine automatisch uitgeschakeld. Wanneer dit gebeurt, gaat u als volgt te werk. Verwijder de borgschroeven van de borstelhouderkap en verwijder de borstelhouderkap en dop van koolborstelhouder. Vervang dan beide koolborstels tegelijkertijd. Gebruik uitsluitend identieke koolborstels.

## Smeren

Deze machine hoeft niet om het uur of dagelijks te worden gesmeerd, aangezien zij voorzien is van een met vet gevuld smeersysteem. Smeer de machine telkens wanneer de koolborstels worden vervangen.

Laat de machine enkele minuten warmdraaien. Schakel dan de machine uit en trek de stekker uit het stopcontact. Draai de zes schroeven los en verwijder de handgreep. Let erop dat de bovenste schroeven verschillen van de andere schroeven. (Fig. 22)

Trek aan de aansluitklem om deze los te maken. (Fig. 23) Verwijder de carterdop met behulp van een zeskantsleutel. (Fig. 24)

Plaats de machine op een tafel met de boorpunt naar boven, zodat het oude smeervet in het carter wordt verzameld. Verwijder dit oude smeervet en vervang het door vers smeervet (30 g). Gebruik uitsluitend origineel Makita smeervet voor hamermechanismen (los verkrijgbaar). Indien u meer dan de voorgeschreven hoeveelheid smeervet (ongeveer 30 g) bijvult, kunnen storingen optreden in het hameren of in de werking van de machine. Vul daarom niet meer smeervet bij dan de voorgeschreven hoeveelheid. Breng de carterdop weer aan en draai deze vast met de zeskantsleutel. (Fig. 25) Sluit de aansluitklem aan en breng de handgreep opnieuw aan. (Fig. 26)

**LET OP:**

- Pas op dat u de aansluitklemmen of de leidingdraden niet beschadigt. Wees vooral voorzichtig tijdens het verwijderen van het oud smeervet en het aanbrengen van de handgreep.
- Draai de carterdop niet te vast aan. Deze is gemaakt van hars en is derhalve breekbaar.

Opdat de machine veilig en betrouwbaar blijft, dienen alle reparaties, onderhoud of afstellingen te worden uitgevoerd bij een erkend Makita service centrum.

## **ACCESSOIRES**

**LET OP:**

Deze accessoires of hulpstukken worden aanbevolen voor gebruik met het Makita gereedschap dat in deze gebruiksaanwijzing wordt beschreven. Het gebruik van andere accessoires of hulpstukken kan gevaar voor persoonlijke verwonding opleveren. Gebruik de accessoires of hulpstukken uitsluitend voor het gespecificeerde doel.

Wenst u meer informatie over deze accessoires, neem dan contact op met het dichtstbijzijnde Makita service-centrum.

- SDS Plus boor met wolframcarbide punt
- Puntbeitel
- Koudbeitel
- Smeervet voor hamermechanisme (30 g)
- Boorvet (100 g)
- Dieptemaat
- Blaaspeer
- Stofdop
- Veiligheidsbril
- Boorkop
- Boorkopsleutel S13
- Plastic draagkoffer
- Zijhandgreep

**ENGLISH****EC-DECLARATION OF CONFORMITY**

We declare under our sole responsibility that this product is in compliance with the following standards of standardized documents,

EN60745, EN55014, EN61000

in accordance with Council Directives, 89/336/EEC and 98/37/EC.

**FRANÇAISE****DÉCLARATION DE CONFORMITÉ CE**

Nous déclarons sous notre entière responsabilité que ce produit est conforme aux normes des documents standardisés suivants,

EN60745, EN55014, EN61000

conformément aux Directives du Conseil, 89/336/CEE et 98/37/EG.

**DEUTSCH****CE-KONFORMITÄTSERKLÄRUNG**

Hiermit erklärt wir unter unserer alleinigen Verantwortung, daß dieses Produkt gemäß den Ratsdirektiven 89/336/EWG und 98/37/EG mit den folgenden Normen von Normendokumenten übereinstimmen:

EN60745, EN55014, EN61000.

**ITALIANO****DICHIARAZIONE DI CONFORMITÀ  
CON LE NORME DELLA COMUNITÀ EUROPEA**

Dichiariamo sotto la nostra sola responsabilità che questo prodotto è conforme agli standard di documenti standardizzati seguenti:

EN60745, EN55014, EN61000

secondo le direttive del Consiglio 89/336/CEE e 98/37/CE.

**NEDERLANDS****EG-VERKLARING VAN CONFORMITEIT**

Wij verklaren hierbij uitsluitend op eigen verantwoordelijkheid dat dit produkt voldoet aan de volgende normen van genormaliseerde documenten,

EN60745, EN55014, EN61000

in overeenstemming met de richtlijnen van de Raad 89/336/EEC en 98/37/EC.

**ESPAÑOL****DECLARACIÓN DE CONFORMIDAD DE LA CE**

Declaramos bajo nuestra sola responsabilidad que este producto cumple con las siguientes normas de documentos normalizados,

EN60745, EN55014, EN61000

de acuerdo con las directivas comunitarias, 89/336/EEC y 98/37/CE.

Yasuhiko Kanzaki **CE 2005**



Director	Amministratore
Directeur	Directeur
Direktor	Director

**MAKITA INTERNATIONAL EUROPE LTD.**

Michigan Drive, Tongwell, Milton Keynes,  
Bucks MK15 8JD, ENGLAND

Responsible manufacturer:	Produttore responsabile:
Fabricant responsable :	Verantwoordelijke fabrikant:
Verantwortlicher Hersteller:	Fabricante responsable:

Makita Corporation Anjo Aichi Japan

**PORTUGUÊS****DECLARAÇÃO DE CONFORMIDADE DA CE**

Declaramos sob inteira responsabilidade que este produto obedece às seguintes normas de documentos normalizados,

EN60745, EN55014, EN61000

de acordo com as directivas 89/336/CEE e 98/37/CE do Conselho.

**DANSK****EU-DEKLARATION OM KONFORMITET**

Vi erklærer hermed på eget ansvar, at dette produkt er i overensstemmelse med de følgende standarder i de norm-sættende dokumenter,

EN60745, EN55014, EN61000

i overensstemmelse med Rådets Direktiver 89/336/EEC og 98/37/EC.

**SVENSKA****EG-DEKLARATION OM ÖVERENSSTÄMMELSE**

Under eget ansvar deklarerar vi härmed att denna produkt överensstämmer med följande standardiseringar för standardiserade dokument,

EN60745, EN55014, EN61000

i enlighet med EG-direktiven 89/336/EEC och 98/37/EC.

**NORSK****EUs SAMSVARS-ERKLÆRING**

Vi erklærer på eget ansvar at dette produktet er i overensstemmelse med følgende standard i de standardiserte dokumenter:

EN60745, EN55014, EN61000,

i samsvar med Råds-direktivene, 89/336/EEC og 98/37/EC.

**SUOMI****VAKUUTUS EC-VASTAAVUUDESTA**

Yksinomaisesti vastuullisina ilmoitamme, että tämä tuote on seuraavien standardoitujen dokumenttien standardien mukainen,

EN60745, EN55014, EN61000

neuvoston direktiivien 89/336/EEC ja 98/37/EC mukaisesti.

**ΕΛΛΗΝΙΚΑ****ΔΗΛΩΣΗ ΣΥΜΜΟΡΦΩΣΗΣ ΕΚ**

Δηλώνουμε υπό την μοναδική μας ευθύνη ότι αυτό το προϊόν βρίσκεται σε Συμφωνία με τα ακόλουθα πρότυπα τυποποιημένων εγγράφων,

EN60745, EN55014, EN61000

σύμφωνα με τις Οδηγίες του Συμβουλίου, 89/336/EEC και 98/37/ΚΕ.

Yasuhiko Kanzaki CE 2005



Director  
Direktør  
Direktör

Direktor  
Johtaja  
Διευθυντής

**MAKITA INTERNATIONAL EUROPE LTD.**

Michigan Drive, Tongwell, Milton Keynes,  
Bucks MK15 8JD, ENGLAND

Fabricante responsável:  
Ansvarlig fabrikant:  
Ansvarig tillverkare:

Ansvarlig produsent:  
Vastaava valmistaja:  
Υπεύθυνος κατασκευαστής:

Makita Corporation Anjo Aichi Japan

**ENGLISH****For European countries only****Noise and Vibration**

The typical A-weighted noise levels are  
 sound pressure level: 89 dB (A)  
 sound power level: 100 dB (A)  
 Uncertainty is 3 dB (A).  
 – Wear ear protection. –

The typical weighted root mean square acceleration value is  $9 \text{ m/s}^2$ .

These values have been obtained according to EN60745.

**FRANÇAISE****Pour les pays d'Europe uniquement****Bruit et vibrations**

Les niveaux de bruit pondérés types A sont:  
 niveau de pression sonore: 89 dB (A)  
 niveau de puissance du son: 100 dB (A)  
 L'incertitude de mesure est de 3 dB (A).  
 – Porter des protecteurs anti-bruit. –

L'accélération pondérée est de  $9 \text{ m/s}^2$ .

Ces valeurs ont été obtenues selon EN60745.

**DEUTSCH****Nur für europäische Länder****Geräusch- und Vibrationsentwicklung**

Die typischen A-bewerteten Geräuschpegel betragen:  
 Schalldruckpegel: 89 dB (A)  
 Schalleistungspegel: 100 dB (A)  
 Die Abweichung beträgt 3 dB (A).  
 – Gehörschutz tragen. –

Der gewichtete Effektivwert der Beschleunigung beträgt  $9 \text{ m/s}^2$ .

Diese Werte wurden gemäß EN60745 erhalten.

**ITALIANO****Modello per l'Europa soltanto****Rumore e vibrazione**

I livelli del rumore pesati secondo la curva A sono:  
 Livello pressione sonora: 89 dB (A)  
 Livello potenza sonora: 100 dB (A)  
 L'incertezza è di 3 dB (A).  
 – Indossare i paraorecchi. –

Il valore quadratico medio di accelerazione è di  $9 \text{ m/s}^2$ .  
 Questi valori sono stati ottenuti in conformità EN60745.

**NEDERLANDS****Alleen voor Europese landen****Geluidsniveau en trilling**

De typische A-gewogen geluidsniveau's zijn  
 geluidsdruk-niveau: 89 dB (A)  
 geluidsenergie-niveau: 100 dB (A)  
 Onzekerheid is 3 dB (A).  
 – Draag oorbeschermers. –

De typische gewogen effectieve versnellingswaarde is  $9 \text{ m/s}^2$ .

Deze waarden werden verkregen in overeenstemming met EN60745.

**ESPAÑOL****Para países europeos solamente****Ruido y vibración**

Los niveles típicos de ruido ponderados A son  
 presión sonora: 89 dB (A)  
 nivel de potencia sonora: 100 dB (A)  
 Incerteza 3 dB (A).  
 – Póngase protectores en los oídos. –

El valor ponderado de la aceleración es de  $9 \text{ m/s}^2$ .  
 Estos valores han sido obtenidos de acuerdo con EN60745.

**PORTUGUÊS****Só para países Europeus****Ruído e vibração**

Os níveis normais de ruído A são  
 nível de pressão de som: 89 dB (A)  
 nível do som: 100 dB (A)  
 A incerteza é de 3 dB (A).

– Utilize protectores para os ouvidos –

O valor médio da aceleração é 9 m/s<sup>2</sup>.

Estes valores foram obtidos de acordo com EN60745.

**DANSK****Kun for lande i Europa****Lyd og vibration**

De typiske A-vægtede lydniveauer er  
 lydtryksniveau: 89 dB (A)  
 lydeffektniveau: 100 dB (A)  
 Der er en usikkerhed på 3 dB (A).  
 – Bær høreværn. –

Den vægtede effektive accelerationsværdi er 9 m/s<sup>2</sup>.

Disse værdier er beregnet i overensstemmelse med EN60745.

**SVENSKA****Endast för Europa****Buller och vibration**

De typiska A-vägda bullernivåerna är  
 ljudtrycksnivå: 89 dB (A)  
 ljudeffektnivå: 100 dB (A)  
 Osäkerheten är 3 dB (A).  
 – Använd hörselskydd –

Det typiskt vägda effektivvärdet för acceleration är 9 m/s<sup>2</sup>.

Dessa värden har erhållits i enlighet med EN60745.

**NORSK****Gjelder bare land i Europa****Støy og vibrasjon**

De vanlige A-belastede støynivå er  
 lydtrykksnivå: 89 dB (A)  
 lydstyrkenivå: 100 dB (A)  
 Usikkerheten er på 3 dB (A).  
 – Benytt hørselvern. –

Den vanlig belastede effektiv-verdi for akselerasjon er 9 m/s<sup>2</sup>.

Disse verdiene er beregnet eller målt i samsvar med EN60745.

**SUOMI****Vain Euroopan maat****Melutaso ja tärinä**

Tyypilliset A-painotetut melutasot ovat  
 äänenpainetaso: 89 dB (A)  
 äänen tehotaso: 100 dB (A)  
 Epävarmuus on 3 dB (A).  
 – Käytä kuulosuojaimia. –

Tyypillinen kiihtyvyyden painotettu tehollisarvo on 9 m/s<sup>2</sup>.

Nämä arvot on mitattu normin EN60745 mukaisesti.

**ΕΛΛΗΝΙΚΑ****Μόνο για χώρες της Ευρώπης****Θόρυβος και κραδασμός**

Οι τυπικές Α-μετρούμενες εντάσεις ήχου είναι  
 πίεση ήχου: 89 dB (A)  
 δύναμη του ήχου: 100 dB (A)  
 Η Αβεβαιότητα είναι 3 dB (A).  
 – Φοράτε ωτοασπίδες. –

Η τυπική αξία της μετρούμενης ρίζας του μέσου τετραγώνου της επιτάχυνσης είναι 9 m/s<sup>2</sup>.

Αυτές οι τιμές έχουν σημειωθεί σύμφωνα με το EN60745.

# Makita Corporation

Anjo, Aichi, Japan

884253C994



## Free Manuals Download Website

<http://myh66.com>

<http://usermanuals.us>

<http://www.somanuals.com>

<http://www.4manuals.cc>

<http://www.manual-lib.com>

<http://www.404manual.com>

<http://www.luxmanual.com>

<http://aubethermostatmanual.com>

Golf course search by state

<http://golfingnear.com>

Email search by domain

<http://emailbydomain.com>

Auto manuals search

<http://auto.somanuals.com>

TV manuals search

<http://tv.somanuals.com>