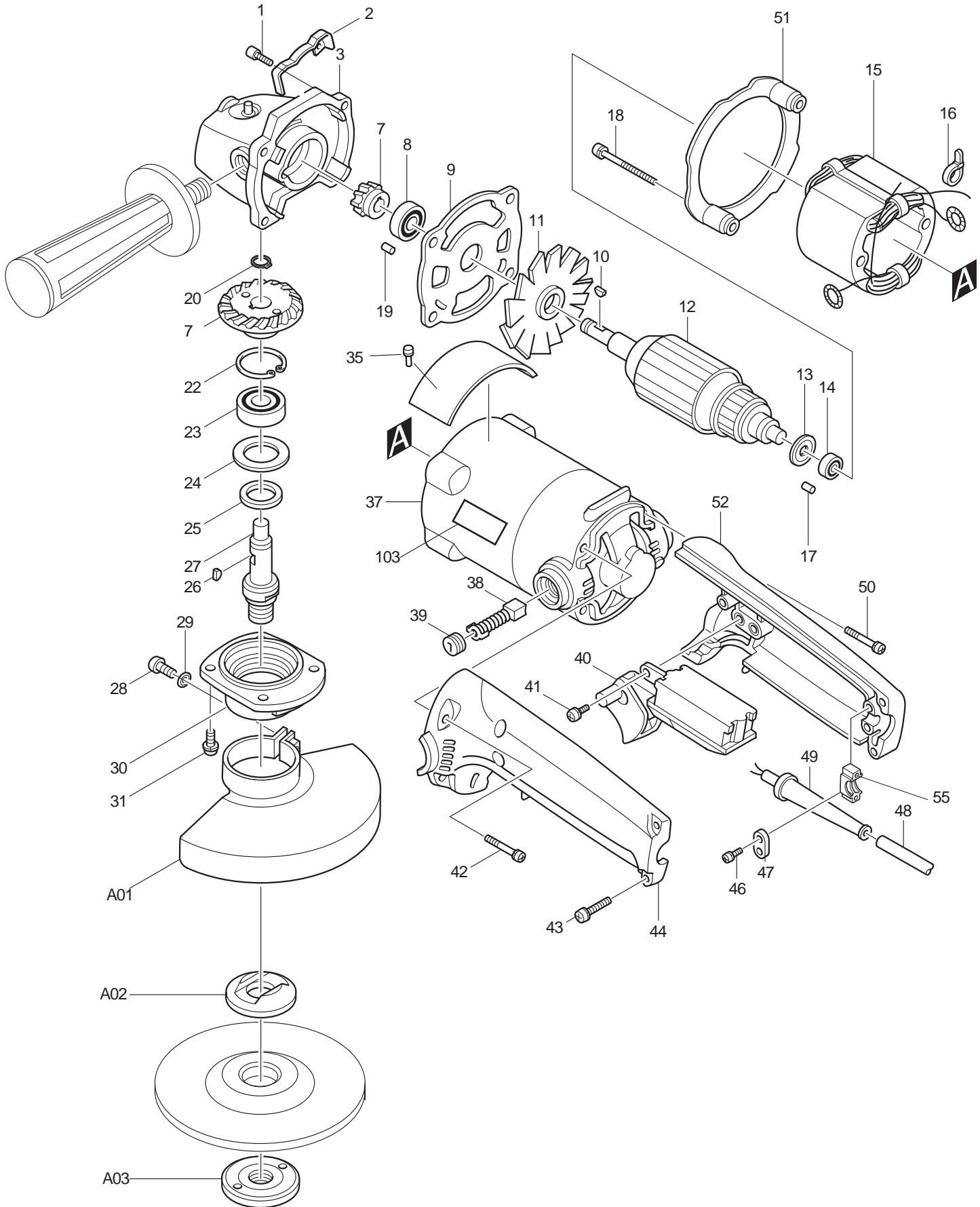




1 - 2009
9005B, 9005BY, 9005BZ - 5" DISC GRINDER
9006B - 6" DISC GRINDER



Item No.	Part No.	Description	Qty	Unit
1	266041-8	TAPPING SCREW 5X25 (TYPE2)*	4	PC.
2	341680-6	TOOL REST (OLD)*	1	PC.
3	156735-2	GEAR HOUSING (TYPE1) - N/L/A	1	PC.
	INC. 212005-0	NEEDLE BEARING 810	1	PC.
	INC. 231464-9	COMPRESSION SPRING 5	1	PC.
	INC. 256616-1	PIN 5	1	PC.
	INC. 343312-1	CUP	1	PC.
	INC.	Item No. 19		
	159710-7	GEAR HOUSING COMPLETE (TYPE2-3)*	1	PC.
	INC. 212005-0	NEEDLE BEARING 810	1	PC.
	INC. 231464-9	COMPRESSION SPRING 5	1	PC.
	INC. 256616-1	PIN 5	1	PC.
	INC. 343312-1	CUP	1	PC.
	INC.	Item No. 19		
7	181737-9	SPIRAL BEVEL GEAR SET	1	SET
8	211061-7	BALL BEARING 6000LLB (TYPE1)	1	PC.
	211088-7	BALL BEARING 6000DDW (TYPE2)	1	PC.
9	341681-4	PLATE	1	PC.
10	254002-0	WOODRUFF KEY 3	1	PC.
11	241517-6	FAN 70	1	PC.
12	516091-6	ARMATURE ASS'Y 115V	1	PC.
	INC.	Item No. 11, 13, 14		
13	681613-2	INSULATION WASHER	1	PC.
14	211033-2	BALL BEARING 608LB (TYPE1)	1	PC.
	210005-4	BALL BEARING 608DDW (TYPE2)	1	PC.
15	622516-1	FIELD ASS'Y	1	PC.
	INC. 654019-7	RING TERMINAL	2	PC.
	INC. 654502-4	CONNECTOR P-2	2	PC.
16	687010-0	BAND	1	PC.
17	263014-2	RUBBER PIN 4	1	PC.
18	266029-8	TAPPING SCREW 5X65 (TYPE2)*	2	PC.
19	263002-9	RUBBER PIN 4	1	PC.
20	961052-5	RETAINING RING S-12	1	PC.
22	962151-6	RETAINING RING R-32	1	PC.
23	211129-9	BALL BEARING 6201DDW	1	PC.
24	267126-3	FLAT WASHER 22	1	PC.
25	443051-4	FELT RING 20	1	PC.
26	254002-0	WOODRUFF KEY 3	1	PC.
27	321336-7	SPINDLE	1	PC.
28	251259-4	+ PAN HEAD SCREW M5X16	1	PC.
29	942101-7	SPRING WASHER (OLD)	1	PC.
30	315282-4	BEARING BOX	1	PC.
31	266148-0	HEX. SOCKET HEAD BOLT M4X14(TYPE3)*	4	PC.
35	953101-2	RIVET 0-5	2	PC.

Item No.	Part No.	Description	Qty	Unit
37	156734-4	MOTOR HOUSING (TYPE1)*	1	PC.
	INC. 643603-3	BRUSH HOLDER 6-10 (TYPE1)	2	PC.
	643609-1	BRUSH HOLDER 6-10 (TYPE2)	2	PC.
	INC.	Item No. 17		
	153455-9	MOTOR HOUSING COMPLETE (TYPE2)*	1	PC.
	INC. 643609-1	BRUSH HOLDER 6-10	2	PC.
	INC.	Item No. 17		
	153548-2	MOTOR HOUSING COMPLETE (TYPE3)*	1	PC.
	INC. 643609-1	BRUSH HOLDER 6-10	2	PC.
	INC. 810341-4	CAUTION LABEL	1	PC.
	INC.	Item No. 17		
38	191945-4	CARBON BRUSH CB-124 (2PCS/SET)	1	SET
	181038-5	AUTO CUT-OFF CARBON BRUSH CB-105 (2PCS/SET) (OPTIONAL)	1	SET
39	643600-9	BRUSH HOLDER CAP 6-10	2	PC.
40	651128-3	SWITCH C3D-15AS (F/ 9005B, 9006B)	1	PC.
	651131-4	SWITCH NO LOCK AC/DC (F/ 9005BZ)	1	PC.
	651142-9	SWITCH LOCK OFF AC/DC (F/ 9005BY)	1	PC.
41	911113-1	P.H.SCREW M4X10 (OLD)*	2	PC.
42	266041-8	TAPPING SCREW 5X25 (TYPE2)*	2	PC.
43	911143-2	PAN HEAD SCREW M4X22	3	PC.
44	182418-8	HANDLE SET (F/ 9005B, 9005BY, 9006B) (TYPE4)*	1	SET
	INC. 421565-3	SPONGE SHEET	1	PC.
	183251-1	HANDLE SET (NO HOLE) (9005BZ)	1	SET
	INC. 421565-3	SPONGE SHEET	1	PC.
46	265995-6	TAPPING SCREW 4X18 (TYPE4)*	2	PC.
47	687063-9	STRAIN RELIEF (TYPE2-4)*	1	PC.
48	664013-1	CORD WITH PLUG 2PC-18-2.5M	1	PC.
49	682503-2	CORD GUARD 8-90 (TYPE1)	1	PC.
	682572-3	CORD GUARD 8 (TYPE2)	1	PC.
50	266041-8	TAPPING SCREW 5X25 (TYPE2-3)*	2	PC.
51	411876-4	BAFFLE PLATE	1	PC.
52	182418-8	HANDLE SET (9005B, 9005BY, 9006B) (TYPE4)*	1	SET
	183251-1	HANDLE SET (9005BZ)		
55	687051-6	CLAMP BASE (TYPE2-3)*	1	PC.
56	421565-3	SPONGE SHEET(TYPE3-4)*	1	PC.
100	652014-1	P.H.SCREW M4X8 (F/ SWITCH)	4	PC.
101	654002-4	SOLDERLESS EYE TERMINAL 1.25-M4 (F/ SWITCH)	4	PC.
102	261039-0	URETHANE WASHER 14	3	PC.
	191728-2	URETHANE WASHER 14, 3PC/SET (OPTIONAL)	1	SET
		(MAKE EASY REMOVAL OF WIRE CUP BRUSH)		
103	819001-5	MAKITA LABEL	1	PC.

Item No.	Part No.	Description	Qty	Unit
<u>ACCESSORIES</u>				
A01	165369-0	WHEEL GUARD ASS'Y F/ 5"	1	PC.
	INC.	Item No. 28		
	133533-1	WHEEL GUARD ASS'Y F/ 6"	1	PC.
	INC.	Item No. 28		
A02	224361-6	INNER FLANGE 82 (TYPE1)	1	PC.
		* For D.C.W., Multi Disc (use with TYPE1 Lock Nut 5/8-40)		
	224378-9	INNER FLANGE 45 (TYPE3)	1	PC.
		* For D.C.W., C.O.W., Diamond Cutter, Multi Disc (use with TYPE3 Lock Nut 5/8-45)		
	224054-5	INNER FLANGE 40 (OPTIONAL)	1	PC.
		* For C.O.W., Diamond Cutter (use with TYPE1 Lock Nut 5/8-40)		
A03	224509-0	LOCK NUT 5/8-40 (TYPE1)	1	PC.
		* For D.C.W., C.O.W., Diamond Cutter, Multi Disc (use with TYPE1 Inner Flange82)		
	224568-4	LOCK NUT 5/8-45 (TYPE3)	1	PC.
		* For D.C.W., C.O.W., Diamond Cutter, Multi Disc (use with TYPE3 Inner Flange45)		
A05	-----	5" DEPRESSED CENTER WHEEL (SEE CATALOGUE FOR DETAILS)	1	PC.
A06	-----	5" CUT-OFF WHEEL (SEE CATALOGUE FOR DETAILS)	1	PC.
A07	743015-1	RUBBER PAD F/ 5" (F/ ABRESIVE DISC)	1	PC.
A08	-----	5" ABRESIVE DISC (SEE CATALOGUE FOR DETAILS)	1	PC.
A09	193048-0	SANDING LOCK NUT 5/8-48	1	PC.
A10	-----	WIRE CUP BRUSH (5/8"-11 ARBOUR)	1	PC.
A11	152492-0	GRIP 36 COMPLETE	1	PC.
A12	782412-6	LOCK NUT WRENCH 28	1	PC.
A13	-----	DIAMOND CUTTER (SEE CATALOGUE FOR DETAILS)	1	PC.
A14	-----	MULTI DISC (SEE CATALOGUE FOR DETAILS)	1	PC.
A15	122688-7	CUT-OFF WHEEL GUARD F/5"	1	PC.

***INC.=INCLUDES**

Free Manuals Download Website

<http://myh66.com>

<http://usermanuals.us>

<http://www.somanuals.com>

<http://www.4manuals.cc>

<http://www.manual-lib.com>

<http://www.404manual.com>

<http://www.luxmanual.com>

<http://aubethermostatmanual.com>

Golf course search by state

<http://golfingnear.com>

Email search by domain

<http://emailbydomain.com>

Auto manuals search

<http://auto.somanuals.com>

TV manuals search

<http://tv.somanuals.com>