

Makita

Disc Grinder

100 mm (4") MODEL 9514B

INSTRUCTION MANUAL



 **DOUBLE
INSULATION**

SPECIFICATIONS

No load speed (RPM)	Overall length	Net weight	Spindle thread
11,000	255 mm (10")	1.5 kg (3.3 lbs)	M10 x 1.25

- * Manufacturer reserves the right to change specifications without notice.
- * Note: Specifications may differ from country to country.

IMPORTANT SAFETY INSTRUCTIONS

(For All Tools)

WARNING: WHEN USING ELECTRIC TOOLS, BASIC SAFETY PRECAUTIONS SHOULD ALWAYS BE FOLLOWED TO REDUCE THE RISK OF FIRE, ELECTRIC SHOCK, AND PERSONAL INJURY, INCLUDING THE FOLLOWING:

READ ALL INSTRUCTIONS.

1. **KEEP WORK AREA CLEAN.** Cluttered areas and benches invite injuries.
2. **CONSIDER WORK AREA ENVIRONMENT.** Don't use power tools in damp or wet locations. Keep work area well lit. Don't expose power tools to rain. Don't use tool in presence of flammable liquids or gases.
3. **KEEP CHILDREN AWAY.** All visitors should be kept away from work area. Don't let visitors contact tool or extension cord.
4. **STORE IDLE TOOLS.** When not in use, tools should be stored in dry, and high or locked-up place — out of reach of children.
5. **DON'T FORCE TOOL.** It will do the job better and safer at the rate for which it was intended.
6. **USE RIGHT TOOL.** Don't force small tool or attachment to do the job of a heavy-duty tool. Don't use tool for purpose not intended.
7. **DRESS PROPERLY.** Don't wear loose clothing or jewelry. They can be caught in moving parts. Rubber gloves and non-skid footwear are recommended when working outdoors. Wear protective hair covering to contain long hair.
8. **USE SAFETY GLASSES.** Also use face or dust mask if cutting operation is dusty.
9. **DON'T ABUSE CORD.** Never carry tool by cord or yank it to disconnect from receptacle. Keep cord from heat, oil, and sharp edges.
10. **SECURE WORK.** Use clamps or a vise to hold work. It's safer than using your hand and it frees both hands to operate tool.
11. **DON'T OVERREACH.** Keep proper footing and balance at all times.
12. **MAINTAIN TOOLS WITH CARE.** Keep tools sharp and clean for better and safer performance. Follow instructions for lubricating and changing accessories. Inspect tool cords periodically and if damaged, have repaired by authorized service facility. Inspect extension cords periodically and replace if damaged. Keep handles dry, clean, and free from oil and grease.
13. **DISCONNECT TOOLS.** When not in use, before servicing, and when changing accessories, such as blades, bits, cutters.

14. **REMOVE ADJUSTING KEYS AND WRENCHES.** Form habit of checking to see that keys and adjusting wrenches are removed from tool before turning it on.
15. **AVOID UNINTENTIONAL STARTING.** Don't carry plugged-in tool with finger on switch. Be sure switch is OFF when plugging in.
16. **OUTDOOR USE EXTENSION CORDS.** When tool is used outdoors, use only extension cords intended for use outdoors and so marked.
17. **STAY ALERT.** Watch what you are doing, use common sense. Don't operate tool when you are tired.
18. **CHECK DAMAGED PARTS.** Before further use of the tool, a guard or other part that is damaged should be carefully checked to determine that it will operate properly and perform its intended function. Check for alignment of moving parts, binding of moving parts, breakage of parts, mounting, and any other conditions that may affect its operation. A guard or other part that is damaged should be properly repaired or replaced by an authorized service center unless otherwise indicated elsewhere in this instruction manual. Have defective switches replaced by authorized service center. Don't use tool if switch does not turn it on and off.
19. **GUARD AGAINST ELECTRIC SHOCK.** Prevent body contact with grounded surfaces. For example; pipes, radiators, ranges, refrigerator enclosures.
20. **REPLACEMENT PARTS.** When servicing, use only identical replacement parts.
21. **POLARIZED PLUGS:** To reduce the risk of electric shock, this equipment has a polarized plug (one blade is wider than the other). This plug will fit in a polarized outlet only one way. If the plug does not fit fully in the outlet, reverse the plug. If it still does not fit, contact a qualified electrician to install the proper outlet. Do not change the plug in any way.

VOLTAGE WARNING: Before connecting the tool to a power source (receptacle, outlet, etc.) be sure the voltage supplied is the same as that specified on the nameplate of the tool. A power source with voltage greater than that specified for the tool can result in **SERIOUS INJURY** to the user — as well as damage to the tool. If in doubt, **DO NOT PLUG IN THE TOOL.** Using a power source with voltage less than the nameplate rating is harmful to the motor.

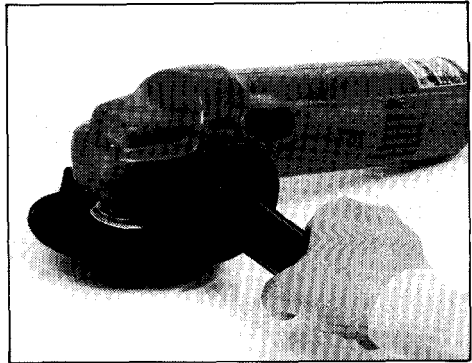
ADDITIONAL SAFETY RULES

- 1. Keep guards in place.**
- 2. Use only wheels having a maximum operating speed at least as high as "No Load RPM" marked on the tool's nameplate. When using depressed center wheels, be sure to use only fiberglass-reinforced wheels.**
- 3. Check the wheel carefully for cracks or damage before operation. Replace cracked or damaged wheel immediately.**
- 4. Use only flanges specified for this tool.**
- 5. Be careful not to damage the spindle, the flange (especially the installing surface) or the lock nut. Damage to these parts could result in wheel breakage.**
- 6. Hold the tool firmly.**
- 7. Keep hands away from rotating parts.**
- 8. Make sure the wheel is not contacting the workpiece before the switch is turned on.**
- 9. Before using the tool on an actual workpiece, let it run for a while. Watch for vibration or wobbling that could indicate poor installation or a poorly balanced wheel.**
- 10. Use the specified surface of the wheel to perform the grinding.**
- 11. Watch out for flying sparks. Hold the tool so that sparks fly away from you and other persons or flammable materials.**
- 12. Do not leave the tool running. Operate the tool only when hand-held.**
- 13. Do not touch the workpiece immediately after operation; it may be extremely hot and could burn your skin.**

SAVE THESE INSTRUCTIONS.

Installing side grip (auxiliary handle)

Screw the side grip on the tool securely.

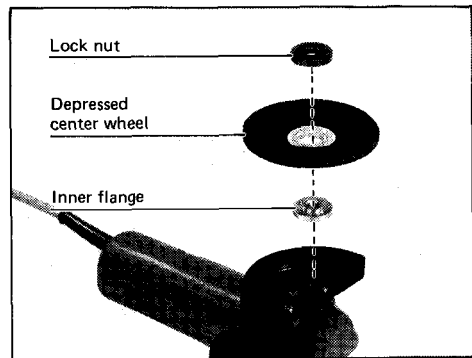


Installing or removing depressed center wheel

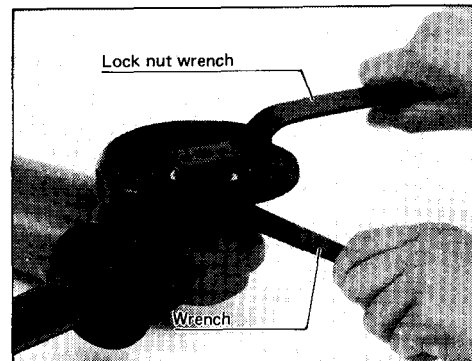
CAUTION:

Always be sure that the tool is switched off and unplugged before installing or removing the wheel.

Screw the inner flange onto the spindle. Hold the spindle with the wrench so that it cannot revolve, then use the lock nut wrench to secure the inner flange. Fit the wheel on over the inner flange and screw the lock nut onto the spindle.



To tighten the lock nut, hold the spindle with the wrench so that it cannot revolve, then use the lock nut wrench and securely tighten clockwise.



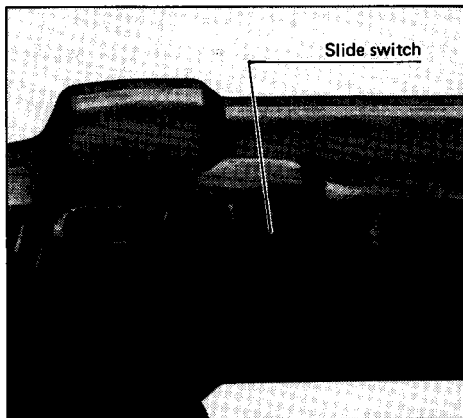
To remove the wheel, follow the installation procedure in reverse.

Switch action

Slide the slide switch forward to start, and the switch will lock in the "ON" position. To stop, lightly depress the rear of the switch, and it will return to the "OFF" position.

CAUTION:

Before plugging in the tool, always check to see that the switch actuates properly and returns to the "OFF" position when depressed.

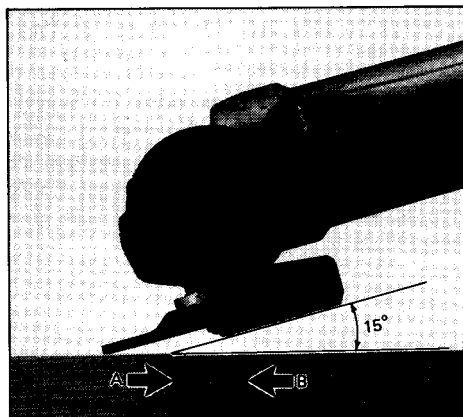


Operation

Hold the tool firmly. Turn the tool on and then apply the wheel or disc to the workpiece.

In general, keep the edge of the wheel or disc at an angle of about 15° to the workpiece surface.

During the break-in period with a new wheel, do not work the grinder in the B direction or it will cut into the workpiece. Once the edge of the wheel has been rounded off by use, the wheel may be worked in both A and B directions.

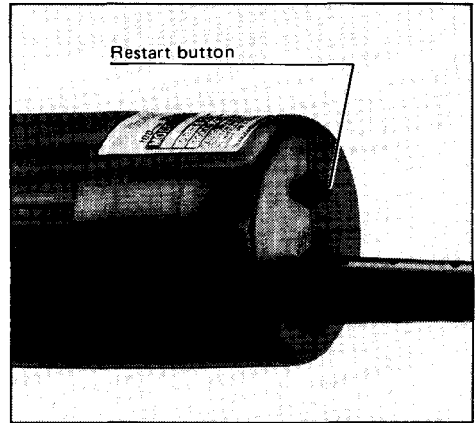


WARNING:

- It should never be necessary to force the tool. The weight of the tool applies adequate pressure. Forcing and excessive pressure could cause dangerous wheel breakage.
- Continued use of a worn-out wheel may result in wheel explosion and serious personal injury. Depressed center wheel should not be used after it has been worn down to 75 mm (3") in diameter. Use of the wheel after this point is unsafe and it should be removed from service and rendered unusable by intentional destruction.

Overload protector

The overload protector automatically cuts out to break the circuit and the button pops out, whenever heavy work is prolonged. Wait 20-30 seconds before pressing the restart button to resume operation. The tool should be switched off when you press the restart button, however.



MAINTENANCE

CAUTION:

Always be sure that the tool is switched off and unplugged before attempting to perform inspection or maintenance.

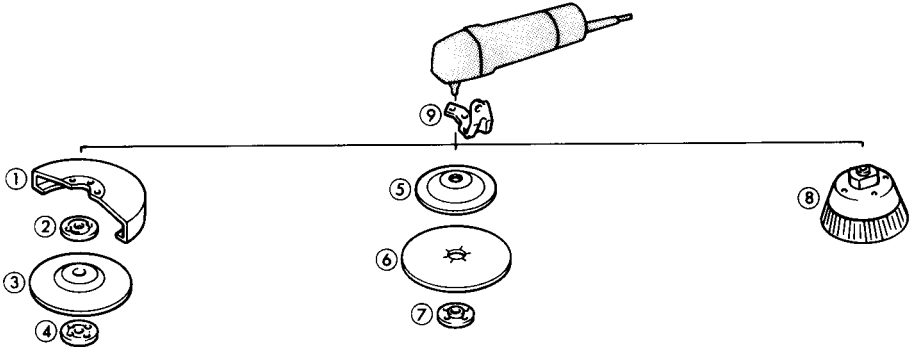
To maintain product SAFETY and RELIABILITY, repairs, carbon brush inspection and replacement, any other maintenance or adjustment should be performed by Makita Authorized or Factory Service Centers, always using Makita replacement parts.

OPTIONAL ACCESSORIES

The accessories listed in this manual are available at an extra cost from your Makita distributor or Makita factory service center. Service centers are listed on the warranty card packed with your tool.

CAUTION:

These accessories or attachments are recommended for use with your Makita tool specified in this manual. The use of any other accessories or attachments might present a risk of injury to persons. The accessories or attachments should be used only in the proper and intended manner.



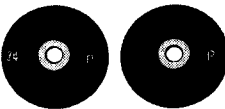
- ① **Wheel cover**
Part No. 342554-4



- ② **Inner flange 35**
(For depressed center wheel)
Part No. 224291-1



- ③ **Depressed center wheels**



- ④ **Lock nut 10-35**
(For depressed center wheel)
Part No. 224545-6



Part No.	Size (mm)	Grit	Wheels per pkg
741402-8-1	100 x 4 x 16 (4" x 3/16" x 5/8")	24	1
741402-8			5
741405-2-1		36	1
741405-2P			5

- ⑥ **Abrasive disc**
(10 pcs. per pkg)



- ⑤ **Rubber pad**
(For abrasive disc)
Part No. 743009-6



Dia. 100 mm (4")

Part No.	Grit
794065-9	24
794066-7	30
794067-5	50
794068-3	80
794227-9	100
794069-1	120

- ⑦ **Sanding lock nut 30**
(For abrasive disc)
Part No. 224501-6



- ⑨ **Grip holder**
Part No. 164329-9



- **Grip 26**
Part No. 273485-5



- **Lock nut wrench 20**
Part No. 782401-1



- ⑧ **Wire cup brush 75**
Part No. 743201-4



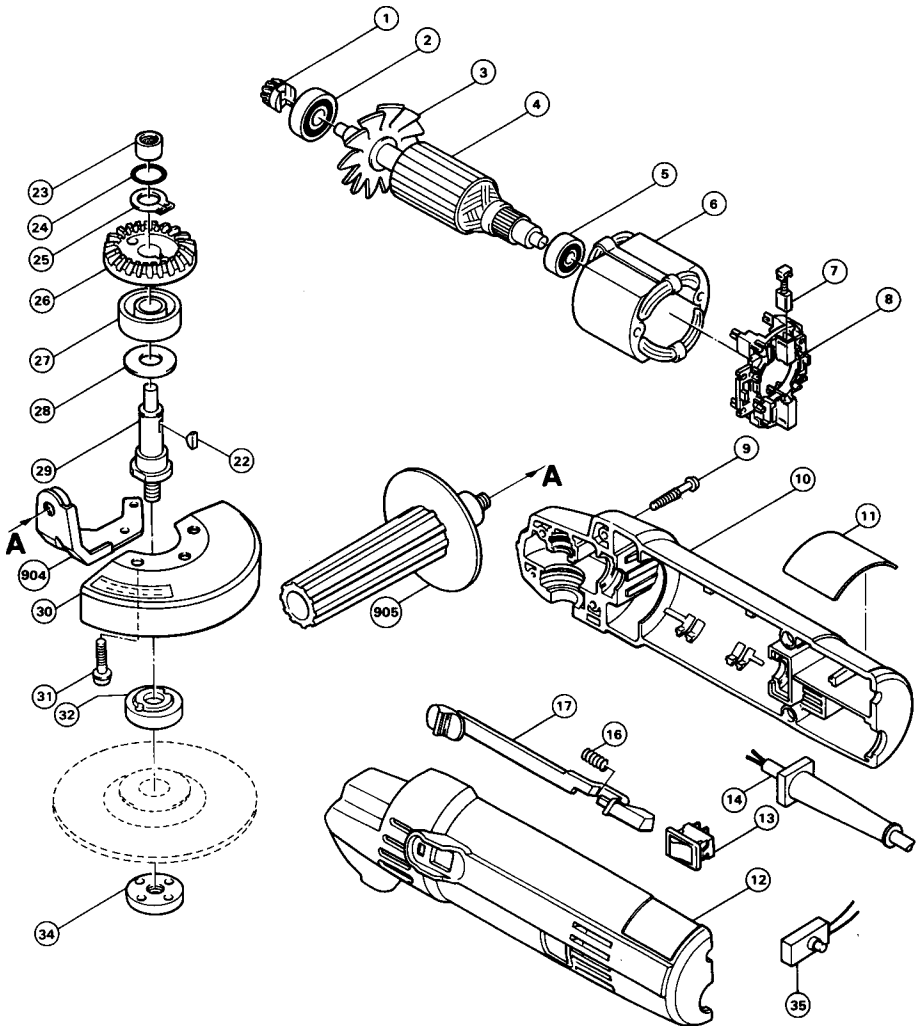
- **Wire bevel brush 85**
Part No. 191784-2



- **Wrench 14**
Part No. 781007-2



100 mm (4") DISC GRINDER Model 9514B



Note: The switch and other part configurations may differ from country to country.

ITEM NO.	NO. USED	DESCRIPTION	ITEM NO.	NO. USED	DESCRIPTION
<u>MACHINE</u>			<u>MACHINE</u>		
1	1	Spiral Bevel Gear 11	17	1	Switch Lever
2	1	Ball Bearing 6000LB	22	1	Woodruff Key 3
3	1	Fan 60	23	1	Needle Bearing 810
4	1	ARMATURE ASSEMBLY (With Item 2 - 5)	24	1	O Ring 11
5	1	Ball Bearing 627LLB	25	1	Retaining Ring S-12
6	1	FIELD ASSEMBLY	26	1	Spiral Bevel Gear 36
7	2	Carbon Brush	27	1	Ball Bearing 6201LB
8	1	Terminal Base	28	1	Flat Washer 12
9	6	Tapping Screw BT 4x25	29	1	Spindle
10	1	Housing Set (With Item 12)	30	1	Wheel Cover
11	1	Name Plate	31	2	Pan Head Screw M5x20 (With Washer)
12	1	Housing Set (With Item 10)	32	1	Inner Flange 35
13	1	Switch	34	1	Lock Nut 10-35
14	1	Cord	35	1	Over Current Relay
16	1	Compression Spring 6	904	1	Grip Holder
			905	1	Grip 26

Note: The switch and other part specifications may differ from country to country.

MAKITA LIMITED ONE YEAR WARRANTY

Warranty Policy

Every Makita tool is thoroughly inspected and tested before leaving the factory. It is warranted to be free of defects from workmanship and materials for the period of ONE YEAR from the date of original purchase. Should any trouble develop during this one-year period, return the COMPLETE tool, freight prepaid, to one of Makita's Factory or Authorized Service Centers. If inspection shows the trouble is caused by defective workmanship or material, Makita will repair (or at our option, replace) without charge.

This Warranty does not apply where:

- repairs have been made or attempted by others;
- repairs are required because of normal wear and tear;
- The tool has been abused, misused or improperly maintained;
- alterations have been made to the tool.

IN NO EVENT SHALL MAKITA BE LIABLE FOR ANY INDIRECT, INCIDENTAL OR CONSEQUENTIAL DAMAGES FROM THE SALE OR USE OF THE PRODUCT. THIS DISCLAIMER APPLIES BOTH DURING AND AFTER THE TERM OF THIS WARRANTY.

MAKITA DISCLAIMS LIABILITY FOR ANY IMPLIED WARRANTIES, INCLUDING IMPLIED WARRANTIES OF "MERCHANTABILITY" AND "FITNESS FOR A SPECIFIC PURPOSE," AFTER THE ONE-YEAR TERM OF THIS WARRANTY.

This Warranty gives you specific legal rights, and you may also have other rights which vary from state to state. Some states do not allow the exclusion or limitation of incidental or consequential damages, so the above limitation or exclusion may not apply to you. Some states do not allow limitation on how long an implied warranty lasts, so the above limitation may not apply to you.

Makita Corporation of America
2650 Gainesville Hwy., Buford, GA 30518

883623A994

PRINTED IN USA
1993-8-4D

MCA/Revised 12-92

Download from Www.Somanuals.com. All Manuals Search And Download.

Free Manuals Download Website

<http://myh66.com>

<http://usermanuals.us>

<http://www.somanuals.com>

<http://www.4manuals.cc>

<http://www.manual-lib.com>

<http://www.404manual.com>

<http://www.luxmanual.com>

<http://aubethermostatmanual.com>

Golf course search by state

<http://golfingnear.com>

Email search by domain

<http://emailbydomain.com>

Auto manuals search

<http://auto.somanuals.com>

TV manuals search

<http://tv.somanuals.com>