



4" DISC GRINDER (M10-1.5)

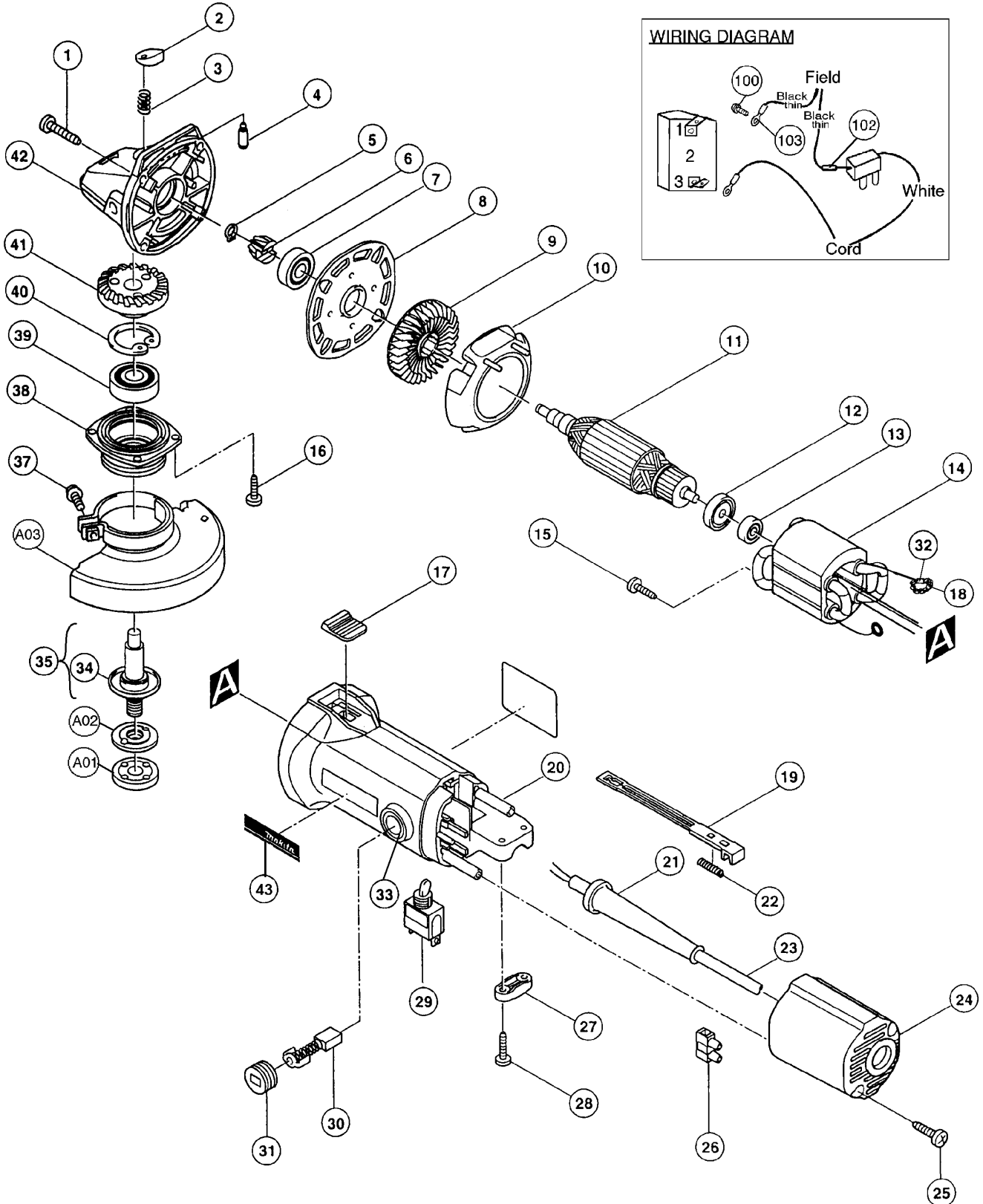
4-1/2" DISC GRINDER (5/8"-11UNC)

5" DISC GRINDER (5/8"-11UNC)

Model 9523NB**/NBX**(MCA)

Model 9524NB (MCA, MCC)

Model 9525NB (MCA)

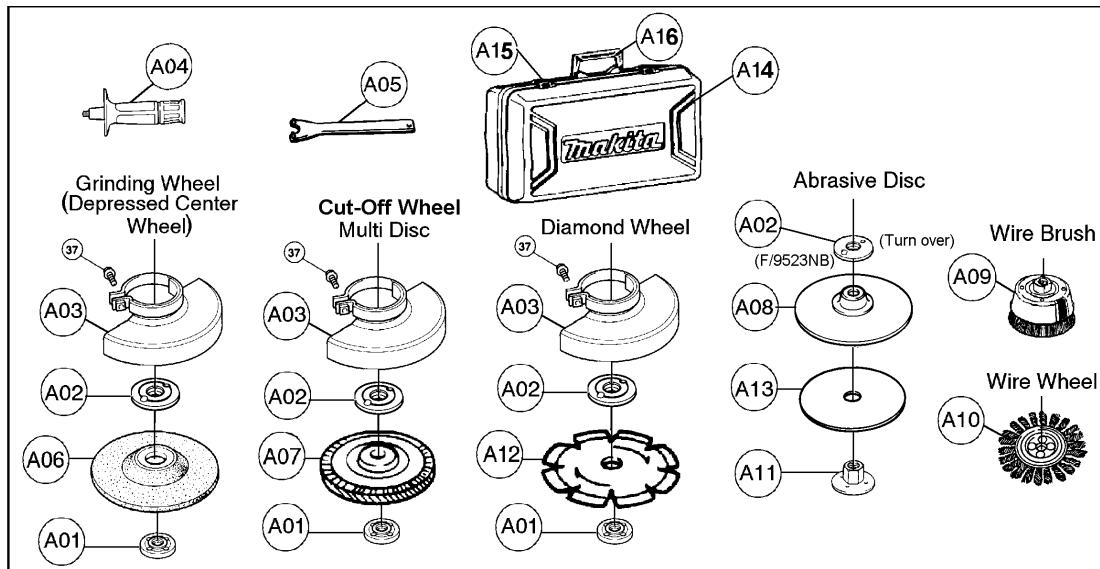


Item No.	Part No.	No. Used	Description	Item No.	Part No.	No. Used	Description
1	266041-8	4	Tapping Screw 5x25(Old 266111-3)	A01	224563-4	1	Lock Nut 10-35 (9523NB**) (For M10X1.5)
2	415491-6	1	Pin Cap				(For D.C.W., C.O.W., Diamond Wheel & Multi Disc)
3	233072-2	1	Compression Spring 8		224509-0	1	Lock Nut 5/8-40 (9524NB & 9525NB)
4	256437-1	1	Pin 4				(Type 1) (For D.C.W., Diamond Wheel & Multi Disc)
5	961002-0	1	Retaining Ring S-6				
6	*	1	Spiral Bevel Gear 11		224566-8	1	Lock Nut 5/8" - 45(Type 2) (For 9524NB & 9525NB)(For D.C.W., Diamond Wheel & Multi Disc)
	*	1	Spiral Bevel Gear 10 (9525NB)		224568-4	1	Lock Nut 5/8" - 45 (Type 3) (For 9524NB & 9525NB) (For D.C.W., Multi Disc, C.O.W., Diamond Wheel)
7	211062-5	1	Ball Bearing 6000ZZ	* When replacing Lock Nut make sure to use same Type of Inner Flange			
8	285684-7	1	Bearing Retainer 52	A02	224337-3	1	Inner Flange 35 (Type 1) (For 9523NB**) (For D.C.W., C.O.W., Diamond Wheel, Abrasive Disc & Multi Disc)
9	241890-4	1	Fan 57		224377-1	1	Inner Flange 35 (Type 2) (9523NB**) (For D.C.W., C.O.W., Diamond Wheel, Abrasive Disc & Multi Disc)
10	415954-2	1	Baffle Plate				
11	517301-4	1	Armature Assy (Includes Items 12 & 13)		224361-6	1	Inner Flange 82 (Type 1)(9524NB & 9525NB) (For D.C.W. & Multi Disc)
12	681638-6	1	Insulation Washer		224368-2	1	Inner Flange 45 (Type 2) (9524NB & 9525NB) (For D.C.W. & Multi Disc)
13	211012-0	1	Ball Bearing 606ZZ		224378-9	1	Inner Flange 45 (Type 3) (9524NB & 9525NB) (For D.C.W., Multi Disc, C.O.W., & Diamond Wheel)
14	521621-0	1	Field Assy (Includes Items 18 & 32)		224029-4	1	Inner Flange 40 (9524NB & 9525NB) (For Diamond Wheel)
15	266007-8	2	Tapping Screw Bind PT3x10	* When replacing Inner Flange make sure to use same Type of Lock Nut			
16	266034-5	4	Tapping Screw CT 4x16	A03	165187-6	1	Wheel Cover F/4" (9523NB**) (For D.C.W., Diamond Wheel & Multi Disc)
17	415952-6	1	Switch Knob		192476-6	1	Wheel Guard F/4" C.O.W. (9523NB**) (9524NB)
18	654100-4	2	Garner Spring		165053-7	1	Wheel Cover Assy F/4-1/2" (9524NB) (For D.C.W.,Diamond Wheel & Multi Disc)
19	*	1	Switch Lever		125097-9	1	Wheel Cover Assy (9525NB) (For D.C.W., Diamond Wheel & Multi Disc) (With Item 37)
20	159866-6	1	Motor Housing Com. (Includes Item 33)	A04	152490-4	1	Grip 36 Com.
21	682502-4	1	Cord Guard 8-85	A05	782401-1	1	Lock Nut Wrench 20 (9523NB**) (9524NB & 9525NB)
22	*	1	Compression Spring 4		782412-6	1	Lock Nut Wrench 28 (9524NB & 9525NB)
23	664013-1	1	Cord With Plug 2P-18G-2.5M	A06	-----	1	Depressed Center Wheel (See Catalogue for Details)
24	415955-0	1	Rear Cover	A07	-----	1	Multi Disc (See Catalogue for Details)
25	265995-6	2	Tapping Screw 4x18 (Old 266121-0)	A08	743009-6	1	Rubber Pad (9523NB**) (9524NB)
26	654532-5	1	Terminal Block 1P		743036-3	1	Rubber Pad (9524NB)
27	687063-9	1	Strain Relief		743015-1	1	Rubber Pad (9525NB)
28	265995-6	2	Tapping Screw 4x18 (Old 266121-0)	A09	-----	1	Wire Brush (See Catalogue for Details)
29	651403-7	1	Switch	A10	-----	1	Wire Wheel (See Catalogue for Details)
30	191938-1	2	Carbon Brush CB-408 (2pcs/Set)	A11	224502-4	1	Lock Nut 10-30 (9523NB**) (For Abrasive Disc)
31	643928-5	2	Holder Cap		224517-1	1	Lock Nut 5/8-48 (9524NB & 9525NB) (For Abrasive Disc)
32	654501-6	2	Solderless Connector P-1.25	A12	-----	1	Diamond Wheel (See Catalogue for Details)
33	643927-7	2	Brush Holder	A13	-----	1	Abrasive Disc (See Catalogue for Details)
34	344347-5	1	Labyrinth Ring	A14	824135-A	1	Plastic Carrying Case (9523NBX**) (Includes Item A15 & A16)
35	152528-5	1	Spindle Com. M10-1.5 (9523NB**) (Includes Item 34)	A15	A00188-3	2	Snap Lock (L)
	152538-2	1	Spindle Com. 5/8" (9524NB & 9525NB) (Includes Item 34)	A16	A00181-7	1	Black Plastic Handle
37	251391-4	1	P.H. Screw M5x16				
38	316800-1	1	Bearing Box				
39	211129-9	1	Ball Bearing 6201DDW (Old 211107-9 - 6201ZZ)				
40	962151-6	1	Retaining Ring R-32				
41	*	1	Spiral Bevel Gear 36 (9523NB** & 9524NB)				
	*	1	Spiral Bevel Gear 36(9525NB)				
42	159867-4	1	Gear Housing Com. (Includes 212043-2 - Needle Bearing 810) (Items 2,3,& 4 - NOT INCLUDED)				
43	819063-3	1	Makita Label				
100	652008-6	2	P.H. Screw M3.5x7				
102	654149-4	1	Non-Insulated Sleeve				
103	654037-5	2	Insulated Eye Terminal FV1.25-M3				

Accessories

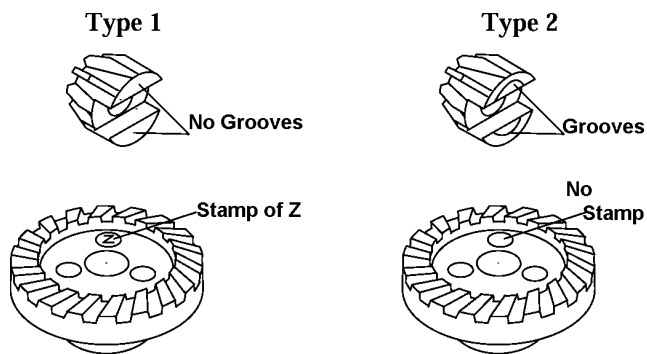
- 2 Model 9523NB**/NBX**
- 2 Model 9524NB
- 2 Model 9525NB

* SEE SERVICE CHANGES



SERVICE CHANGES

1. Change on Spiral Bevel Gear 11 and Spiral Bevel Gear 36.

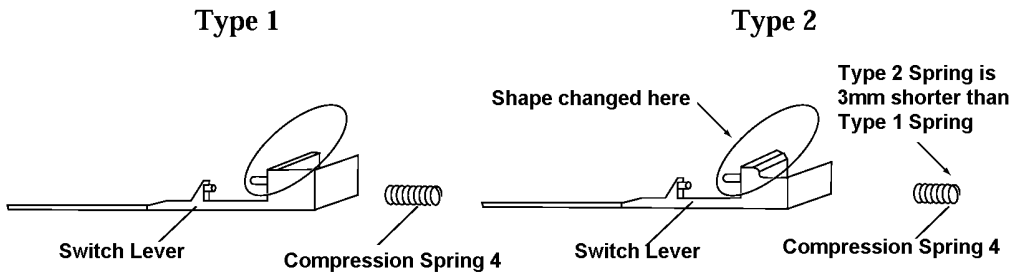


Item No.	Description	Type 1	Type 2
6	Spiral Bevel Gear 11	226733-1	226799-1
41	Spiral Bevel Gear 36	226728-4	226798-3
	9524NB Serial #	~559729K	559730 ~

Above parts are completely interchangeable as a set.

3 Model 9523NB**/NBX**
 3 Model 9524NB
 3 Model 9525NB

2. Change on Switch Lever and Compression Spring



Item No.	Description	Type 1	Type 2
19	Switch Lever	415953-4	417352-6
22	Compression Spring 4	233153-2	233285-5

Above parts are completely interchangeable as a set.

- 4 Model 9523NB**/NBX**
- 4 Model 9524NB
- 4 Model 9525NB

Free Manuals Download Website

<http://myh66.com>

<http://usermanuals.us>

<http://www.somanuals.com>

<http://www.4manuals.cc>

<http://www.manual-lib.com>

<http://www.404manual.com>

<http://www.luxmanual.com>

<http://aubethermostatmanual.com>

Golf course search by state

<http://golfingnear.com>

Email search by domain

<http://emailbydomain.com>

Auto manuals search

<http://auto.somanuals.com>

TV manuals search

<http://tv.somanuals.com>