

**IMPORTANT** — To assure product **SAFETY** and **RELIABILITY**, repairs, maintenance or adjustments should be performed by **MAKITA** Service Centers or other qualified service organizations. Always use **MAKITA** replacement parts.

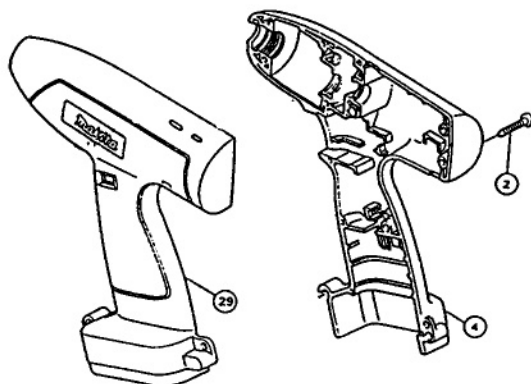
| Fig. | Part No. | Qty. Used | Description                               | Fig.               | Part No. | Qty. Used | Description                |
|------|----------|-----------|---|--------------------|----------|-----------|----------------------------|
| 2    | 265925-7 | *         | TAPPING SCREW BT4x20                      | 19                 | 213151-2 | 1         | OIL SEAL 14                |
| 3    | 911143-2 | 1         | P. H. SCREW M4x22                         | 20                 | 257629-5 | 1         | SLEEVE 14                  |
| 4    | *        | 1         | HOUSING SET (INCL. FIG. 29)               | 21                 | 261075-6 | 1         | RUBBER WASHER 20           |
| 5    | 629577-2 | 1         | MOTOR 9.6V<br>(WITH S. GEAR 15: 221882-9) | 22                 | 267062-3 | 1         | F. WASHER 14               |
| 6    | 214027-6 | 1         | PLANE BEARING 4                           | 23                 | 322458-6 | 1         | ANVIL                      |
| 7    | 226105-0 | 1         | GEAR COMPLETE 11-37                       | 24                 | 322259-2 | 1         | HAMMER                     |
| 8    | 214027-6 | 1         | PLANE BEARING 4                           | 25                 | 231463-1 | 1         | COMP. SPRING 24            |
| 9    | 343579-1 | 1         | SET PLATE                                 | 26                 | 153205-2 | 1         | SPINDLE CPL.               |
| 10   | 651909-5 | 1         | SWITCH                                    | 27                 | 643918-8 | 1         | BATTERY HOLDER             |
| 11   | 414740-8 | 1         | LEVER                                     | 29                 | *        | 1         | HOUSING SET (INCL. FIG. 4) |
| 12   | 414708-4 | 1         | SWITCH LEVER                              | <b>ACCESSORIES</b> |          |           |                            |
| 13   | 216011-7 | 2         | STEEL BALL 5.6                            | 400                | 192048-7 | 1         | KEYLESS DRILL CHUCK        |
| 14   | 216001-0 | 2         | STEEL BALL 3.5                            | 401                | 113103-2 | 1         | 7.2V / 9.6V CHARGER        |
| 15   | 231951-8 | 1         | RING SPRING 11                            | 402                | 192019-4 | 1         | BATTERY (9100)             |
| 16   | 267085-1 | 1         | F. WASHER 12                              | 403                | 182367-A | 1         | PLASTIC CARRYING CASE      |
| 17   | 233005-7 | 1         | COMP. SPRING 13                           |                    |          |           |                            |
| 18   | 322434-0 | 1         | SLEEVE                                    |                    |          |           |                            |

\* SEE SERVICE CHANGE 1

### SERVICE CHANGE

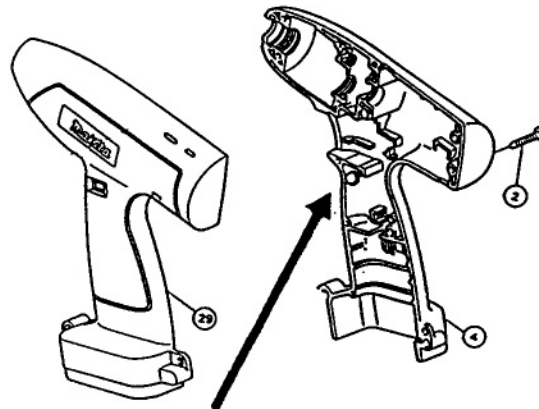
1. Change on Housing.

#### TYPE 1



Uses 9 Tapping Screws

#### TYPE 2



Added 1 more Tapping Screw

| FIG.  | DESCRIPTION          | TYPE 1                            | TYPE 2                         |
|-------|----------------------|-----------------------------------|--------------------------------|
| 2     | Tapping Screw BT4x20 | Part # 265925-7<br>Uses 9 ea.     | Part # 265925-7<br>Uses 10 ea. |
| 4, 29 | Housing Set          | Part # 182640-7<br>(Discontinued) | Part # 182804-3                |

The above parts are interchangeable as a set.

## Free Manuals Download Website

<http://myh66.com>

<http://usermanuals.us>

<http://www.somanuals.com>

<http://www.4manuals.cc>

<http://www.manual-lib.com>

<http://www.404manual.com>

<http://www.luxmanual.com>

<http://aubethermostatmanual.com>

Golf course search by state

<http://golfingnear.com>

Email search by domain

<http://emailbydomain.com>

Auto manuals search

<http://auto.somanuals.com>

TV manuals search

<http://tv.somanuals.com>