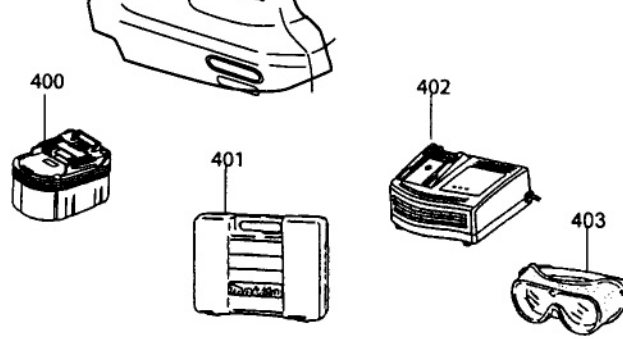
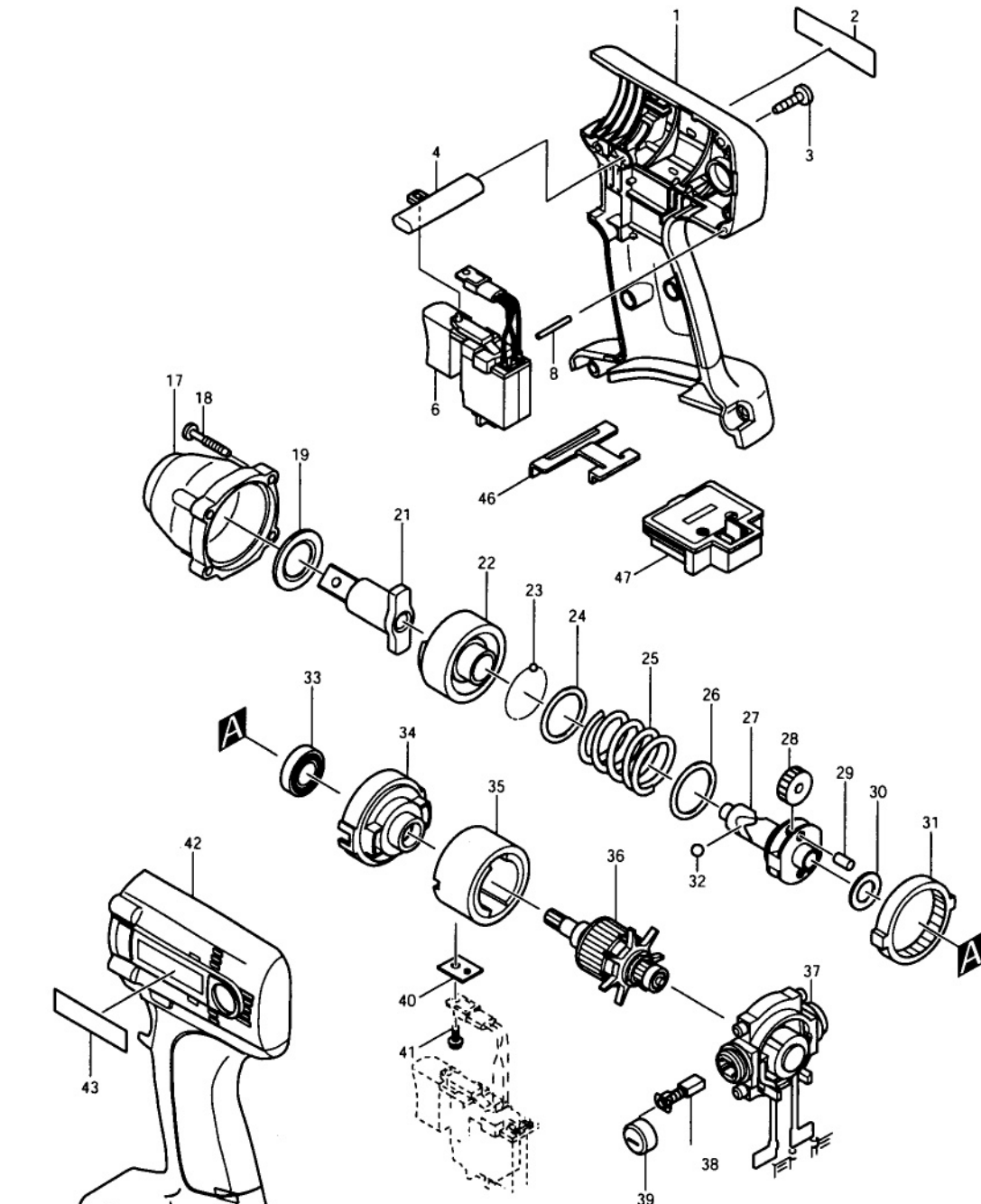




# CORDLESS IMPACT WRENCH Model BTW120SA



## Wiring Diagram

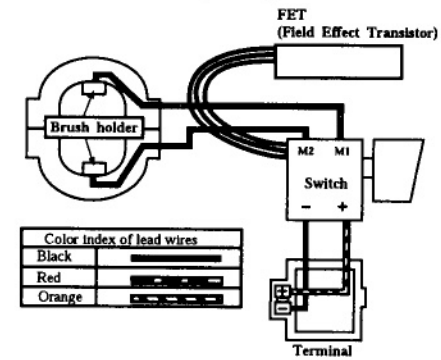


Fig.	Part No.	Qty. Used	Description	Fig.	Part No.	Qty. Used	Description
1	183347-8	1	HOUSING SET (Incl. Fig. 42 & 43)	33	211140-1	1	BALL BEARING 6901LLB
2	853045-5	1	NAME PLATE	34	417269-3	1	INTERNAL GEAR CASE
3	265995-6	7	TAPPING SCREW 4x18	35	632965-4	1	YOKE UNIT
4	416079-5	1	F/R CHANGE LEVER	36	619057-6	1	ARMATURE
6	650507-2	1	SWITCH	37	632969-6	1	ENDBELL Cpl. (2 ea.654069-2 Receptacle)
8	256176-3	1	PIN 2.5	38	191975-5	1	CARBON BRUSH Set CB-431
17	151946-4	1	HAMMER CASE Cpl.	39	643933-2	2	BRUSH HOLDER CAP
18	265999-8	4	TAPPING SCREW 4x25	40	689096-0	1	FET SPACER
19	261116-8	1	NYLON WASHER 18	41	266170-7	1	TAPPING SCREW ST3x8
21	323893-1	1	ANVIL	42	183347-8	1	HOUSING SET (Incl. Fig. 1 & 43)
22	323997-9	1	HAMMER	43	819063-3	1	MAKITA LABEL
23	216001-0	25	STEEL BALL 3.5	46	344898-8	1	SUPPORT PLATE
24	267175-0	1	FLAT WASHER 24	47	643955-2	1	TERMINAL
25	233274-0	1	COMPRESSION SPRING 25				
26	267175-0	1	FLAT WASHER 24				
27	323994-5	1	SPINDLE				
28	226336-1	2	SPUR GEAR 22				
29	256253-1	2	PIN 5				
30	267212-0	1	FLAT WASHER 12				
31	227001-5	1	INTERNAL GEAR 51				
32	216011-7	2	STEEL BALL 5.6				
				<b>ACCESSORIES</b>			
				400	193346-2	1	BATTERY BH1220 Ni-MH
				401	824632-7	1	PLASTIC CARRYING CASE (Incl. 2 ea. 417075-6 Latch)
				402	DC14SA	1	BATTERY CHARGER
				403	191686-2	1	SAFETY GOGGLES

2 Model BTW120SA

04-01

## Free Manuals Download Website

<http://myh66.com>

<http://usermanuals.us>

<http://www.somanuals.com>

<http://www.4manuals.cc>

<http://www.manual-lib.com>

<http://www.404manual.com>

<http://www.luxmanual.com>

<http://aubethermostatmanual.com>

Golf course search by state

<http://golfingnear.com>

Email search by domain

<http://emailbydomain.com>

Auto manuals search

<http://auto.somanuals.com>

TV manuals search

<http://tv.somanuals.com>