

Makita[®]

15 GAUGE (DA) 2-1/2" FINISH NAILER

WELL BALANCED PNEUMATIC 15 GAUGE (DA) FINISH NAILER

Fires 1-1/4" - 2-1/2" 15 Gauge DA Style Finish Nails with a Capacity of 120 Nails

Non-marring Rubber Nose Protects the Wood Surface for a Quality Finish

Durable and Lightweight Die Cast Tool Housing

Ergonomically Designed Rubber Grip for Comfortable Operation

Ideal for Cabinet Manufacturing and Installation, Hardwood Floor Installation,
Interior Finish Work, Wood Furniture Manufacturing and More



MODEL
AF633



For more info, call 1-800-4MAKITA
makitatools.com

DURABILITY



Easy loading, angled aluminum magazine accepts popular 15 gauge DA style finish nails

VERSATILITY



Easy to use depth adjustment dial for a wide variety of finish applications

EFFICIENCY



Quick release nose piece with cam-lock for fast access to jams

FINISH



Non-marring rubber nose piece and non-slip body bumper protects the wood surface for a quality finish

FINISHED TO PERFECTION

15 GAUGE (DA) FINISH NAILER

Model AF633

Features & Benefits

- Aluminum magazine holds 120 15 gauge DA style finish nails (1-1/4" to 2-1/2")
- Easy loading, angled aluminum magazine provides maximum durability; insert the nail strip and pull back on pusher block
- Durable and lightweight die-cast tool housing
- Easy to use depth adjustment dial for a wide variety of finish applications
- Multi-directional exhaust vent directs the airflow away from the operator
- Non-marring rubber nose protects the wood surface for a quality finish
- Easy access nose piece with quick release cam-lock
- Ergonomic rubber grip for comfortable operation
- Rubber non-slip body bumper protects the tool housing and the workpiece

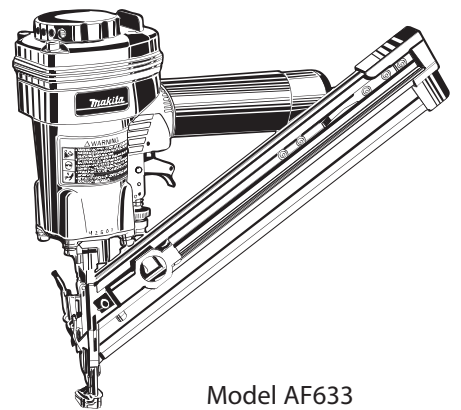


Standard Equipment

- Oil Supply 30cc (181434-7)
- Hex Wrench 3 (783201-2)
- Hex Wrench 4 (783202-0)
- Hex Wrench 5 (783203-8)
- Nose Cap
- Coupler
- Trigger Set (B250-27)
- Safety Goggles

Specifications

Operating Air Pressure:	65 - 120 PSIG
Nail Size:	1-1/4" - 2-1/2"
Nail Capacity:	120
Hose Fitting	1/4" NPT
Dimensions:	14-1/2" x 3-1/4" x 12-3/8"
Net Weight:	5.5 lbs.
Shipping Weight:	7.7 lbs.
Master Carton Quantity	3
UPC Code	088381-04985-6



Model AF633



Accessories

Air Hose - Premium Vinyl



Size	Part #	Pcs/Pkg.
1/4" x 25'	1121-1	10
1/4" x 50'	1122-1	5
1/4" x 100'	1123-1	3

Air Fittings and Coupler



Type	Body	Style	2/Pkg. Part #
Automotive	1/4"	Male	311008-A
		Female	311004-A
Industrial	1/4"	Male	311006-A
		Female	311002-A



Style	Style	2/Pkg. Part #
Fits 1/4" automotive & industrial fittings	Male	036003-1
	Female	311018-A

Makita offers a wide variety of accessories for 2-1/2" Finish Nailers. For a complete listing, please refer to the Makita General Catalog, or visit our website at makitatools.com, or call 1-800-4MAKITA.

All specifications subject to change without prior notice. All models and accessories subject to stock on hand.
NTF-0105 5M MA-0026-05 For more information, call 1-800-4MAKITA or visit makitatools.com

Download from www.Somanuals.com. All Manuals Search And Download.



Makita U.S.A., 14930 Northam St., La Mirada, CA 90638

Free Manuals Download Website

<http://myh66.com>

<http://usermanuals.us>

<http://www.somanuals.com>

<http://www.4manuals.cc>

<http://www.manual-lib.com>

<http://www.404manual.com>

<http://www.luxmanual.com>

<http://aubethermostatmanual.com>

Golf course search by state

<http://golfingnear.com>

Email search by domain

<http://emailbydomain.com>

Auto manuals search

<http://auto.somanuals.com>

TV manuals search

<http://tv.somanuals.com>