

TECHNICAL INFORMATION

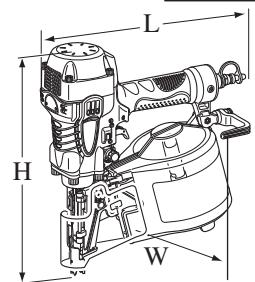


PRODUCT

P 1 / 10

Models No. ▶ AN911H

Description ▶ Construction Coil Nailer



CONCEPT AND MAIN APPLICATIONS

AN911H is a construction coil nailer powered by high pressure air. Maximum length 90mm (3-1/2inch) wire coil nail can be nailed. Powerful driving make it possible to continuously fasten 28mm thickness hard plywoods and lumber girders with 75mm shank length nails. Other main advantages are as follows:

- Thin and unique shape nose-tip
- Magazine designed to make nail loading quick and easy
- Protective bumpers

Dimensions: mm (")	
Length (L)	293 (11-1/2)
Width (W)	with Hook 125 (4-7/8)
	without Hook 146 (5-3/4)
Height (H)	319 (12-1/2)

Specification

Nail	Wire coil nails for wood	ø2.5 x 45 ~ ø3.8 x 90 (ø0.099 x 1-3/4 ~ ø0.148x 3-1/2)
	Plastic sheet collated nails for thin steel	ø2.5 x 45 ~ ø2.5 x 65 (ø0.099 x 1-3/4 ~ ø0.099 x 2-1/2)
	Plastic sheet collated nails for cement board	ø2.5 x 45 ~ ø2.5 x 50 (ø0.099 x 1-3/4 ~ ø0.099 x 2)
Shank diameter x Overall length: mm(")		
Magazine type	Open like clamshell	
Height control inside Magazine	Four stages	
Nail capacity: Quantity	150, 200, 250, 300	
Operating air pressure: MPa (psi)	1.28~2.26 (185 ~ 320)	
Change of Wire coil nails and Plastic sheet collated nails	Auto	
Depth control	Yes	
Direction of air exhaust	Forward from front head	
Change of bump fire mode and sequential mode	Yes	
Trigger lock-off	No	
Hook	Yes	
Thickness of Steel plate to be nailed	3.2mm (1/8")	
Protective bumpers	Yes	
Soft grip	Yes	
Net weight: kg (lbs)	2.3 (5.1)	

Standard equipment

- Safety goggles 1
- Plastic carrying case 1
- Oil supply 1
- Nose adapter (flat end type)..... 1

Note: The standard equipment for the tool shown above may vary by country.

Optional accessories

Wire coil nail

ø2.5mm shank ø6mm head conical roll

- 65mm smooth shank •65mm screw chisel shank

ø2.5mm shank ø6mm head flat roll

- 50mm smooth shank •50mm screw chisel shank
- 57mm smooth shank •57mm screw chisel shank
- 65mm smooth shank •65mm screw chisel shank

ø2.9mm shank ø7mm head flat roll

- 50mm screw chisel shank
- 57mm screw chisel shank
- 65mm screw chisel shank
- 71mm screw chisel shank

ø3.1mm shank ø7mm head flat roll

- 75mm screw chisel shank
- 85mm screw chisel shank
- 90mm screw chisel shank

ø3.1mm shank ø7.2mm head flat roll

- 75mm smooth shank
- 85mm smooth shank

ø3.1mm shank ø7.5mm head flat roll

- 90mm smooth shank

JIS compatible (formally called as N in Japan) flat roll

- 45mm x ø2.5mm shank - ø5.8mm head
- 50mm x ø2.8mm shank - ø6.6mm head
- 65mm x ø3.1mm shank - ø7.3mm head
- 75mm x ø3.4mm shank - ø7.5mm head
- 90mm x ø3.8mm shank - ø7.9mm head

Conical nail for wood floor

ø2.1mm shank - ø4.2mm head

- 45mm screw chisel shank
- 50mm screw chisel shank

Hardened conical nail

ø2.5mm shank - ø5.6mm head

- 45mm smooth shank •50mm smooth shank
- 57mm smooth shank •65mm smooth shank

Plastic sheet collated hardened-nail

ø2.52mm shank - ø5.5mm head

- 45mm screw chisel shank •50mm screw chisel shank

Plastic sheet collated hardened-nail

ø2.52mm shank - ø5.5mm head

- 45mm smooth shank •50mm smooth shank
- 65mm smooth shank

► Repair

CAUTION: Repair the machine in accordance with “Instruction manual” or “Safety instructions”.

[1] NECESSARY REPAIRING TOOLS

Item No.	Description	Purpose
1R266	Spring pin extractor M2	Disassembling Trigger ass’y
1R267	Spring pin extractor M2.5	Removing Adjust sleeve and Adjust shaft
1R268	Spring pin extractor M3	Disassembling Trigger base section and Trigger valve section
1R229	1/4" Hex shank bit for M5	Removing M5 Hex socket head bolt
1R230	1/4" Hex shank bit for M6	Removing M6 Hex socket head bolt
1R231	1/4" Hex shank bit for M8	Removing M8 Hex socket head bolt
1R291	Retaining ring S and R pliers	Removing Retaining ring S-25 for setting Change plate

[2] LUBRICATION

- 1) Apply a little amount of Isoflex NB52 to O rings, Top cap complete and Piston.
- 2) When removing Hex socket head bolts, apply adhesive (ThreeBond 1321/1342 or Loctite 242) to the threads before reassembling. And then tighten the Hex socket head bolts to the specific torque.
- 3) Tighten One-touch joint, Inlet cap and M5x22 Pan head screw to the specific torque without adhesive.
Bind a thread sealant tape to the thread of One-touch joint to maintain the positive sealing on the thread connection.
See Figs. 1 and 2.

Fig. 1

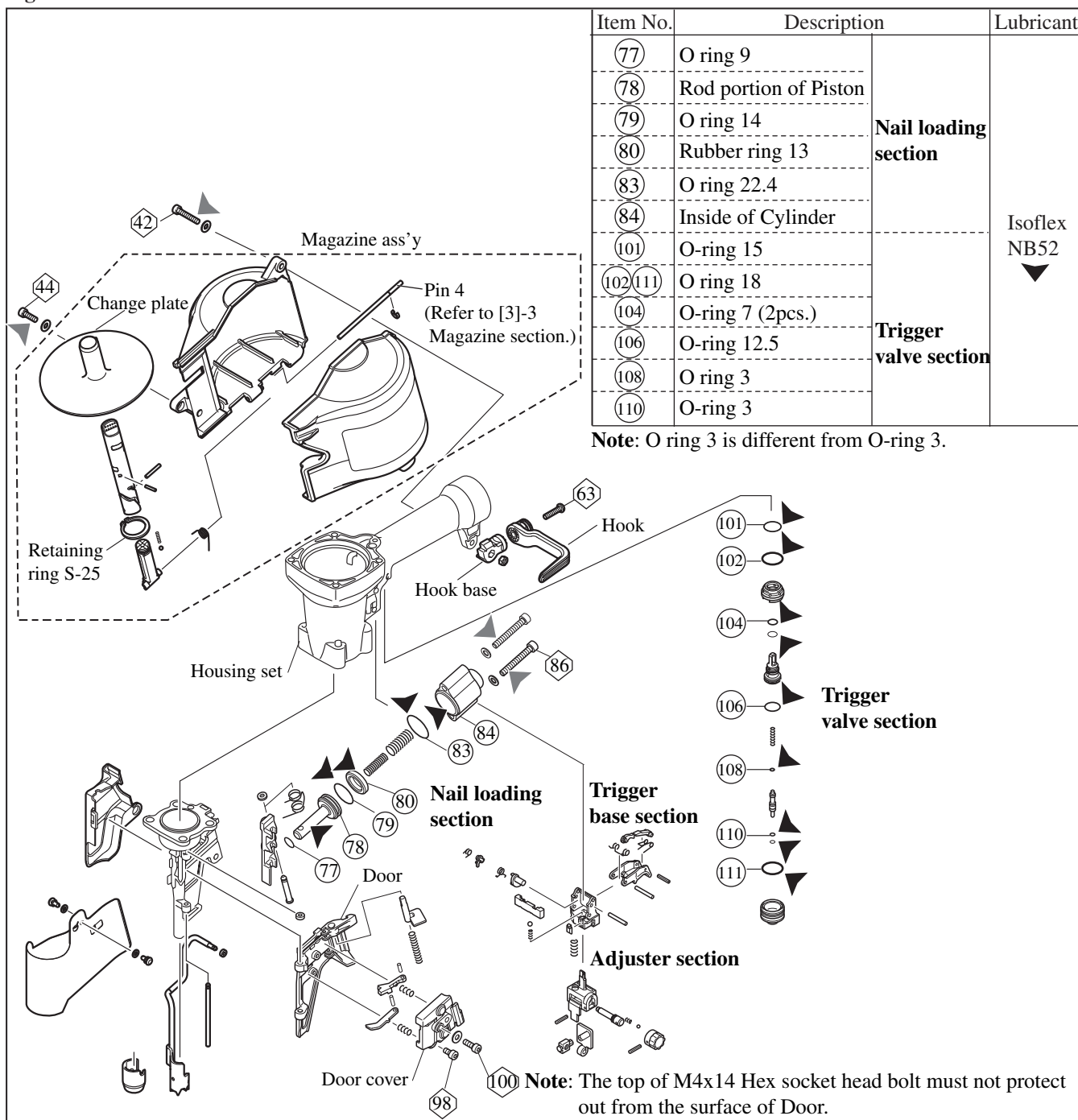
Item No.	Description	Lubricant
②	Nine holes in Top cap complete for receiving Compression spring 4	Isoflex NB52 ▼
⑤	O ring 60	
⑥	O ring 50	
⑧	O ring 53	
⑪	O ring 67	
⑫	O-ring 26	
⑰	O ring 53	
⑱	O-ring 39	
⑳	O-ring 6	
⑳	O ring 4	
⑳	O ring 36	

Item No.	Description	Fastening torque (N.m)	Adhesive
①	M6x45 Hex socket head bolt (4pcs.)	10.5 for Top cap complete and Housing set	ThreeBond 1321/1342 or Loctite 242 ▼
③②	M8x30 Hex socket head bolt (4pcs.)	25 for Driver guide and Housing set	
③⑤	Inlet cap	25 to Housing set	No
③⑦	One-touch joint H22PM	25 to Inlet cap	Thread sealant tape □

► **Repair**

[2] LUBRICATION (cont.)

Fig. 2



Item No.	Description	Lubricant
77	O ring 9	Isoflex NB52 ▼
78	Rod portion of Piston	
79	O ring 14	
80	Rubber ring 13	
83	O ring 22.4	
84	Inside of Cylinder	
101	O-ring 15	
102, 111	O ring 18	
104	O-ring 7 (2pcs.)	
106	O-ring 12.5	
108	O ring 3	Trigger valve section
110	O-ring 3	

Note: O ring 3 is different from O-ring 3.

Item No.	Description	Fastening torque (N.m)	Adhesive
42	M5x28 Hex socket head bolt	2.5	ThreeBond 1321/1342
44	M5x16 Hex socket head bolt	for Magazine ass'y and Housing set	or Loctite 242 ▼
63	M5x22 Pan head screw	2.5	No
86	M5x35 Hex socket head bolt (2pcs.)	2	ThreeBond 1321/1342 or Loctite 242 ▼
98	M4x8 Hex socket head bolt	1.3	
100	M4x14 Hex socket head bolt	1.3	

► **Repair**

[3] ASSEMBLING/ DISASSEMBLING

[3]-1. Head valve section

DISASSEMBLING

- 1) Loosen four M6x45 Hex socket head bolts and remove Top cap complete. (**Fig. 3**)
- 2) While filling one of two holes of Rear cushion with finger, blow the air into the other hole with air duster. Rear cushion rises and can be removed from Top cap complete. (**Fig. 4**)

Fig. 3

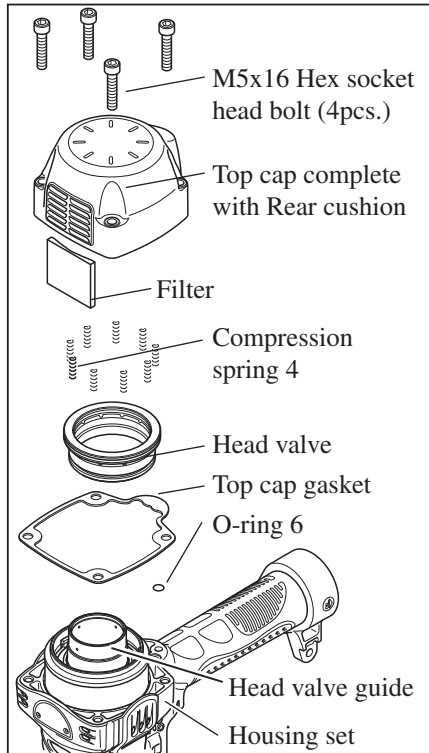
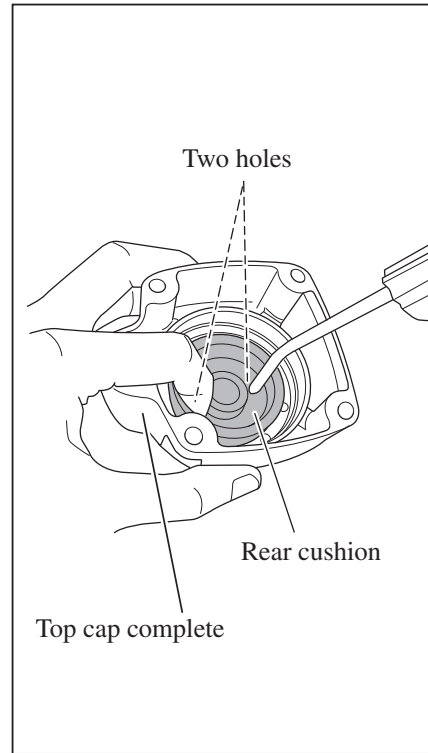


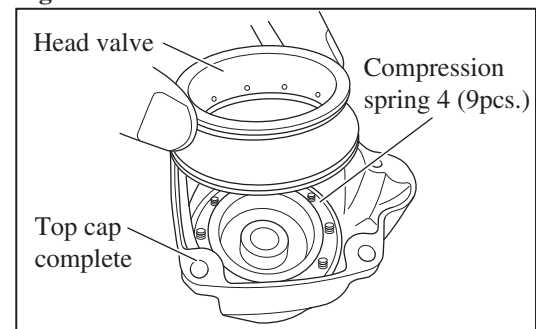
Fig. 4



ASSEMBLING

- 1) Assemble Rear cushion to Top cap.
- 2) Put nine Compression springs 4 into holes of Top cap complete.
- 3) Fit Head valve into Top cap complete carefully so as not to lean any Compression springs 4. (**Fig. 5**)

Fig. 5



► **Repair**

[3] ASSEMBLING/ DISASSEMBLING

[3]-2. Driver, Cylinder stay, Valve seat

DISASSEMBLING

- (1) Remove Top cap complete in accordance with mentioned in previous page.
- (2) Remove O ring 6 (Refer to **Fig. 3**) in advance to prevent missing. (**Fig. 6**)
Remove Gasket from Housing set.
- (3) Tap Housing set from Top cap complete setting side. Parts illustrated in **Fig. 7** can be removed.
- (4) Insert Slotted screwdriver between the protrusion of Cylinder and Cylinder stay, then lever up Cylinder stay. (**Fig. 8**)
- (5) Remove Valve seat with Slotted screwdriver. (**Fig. 9**)

Fig. 6

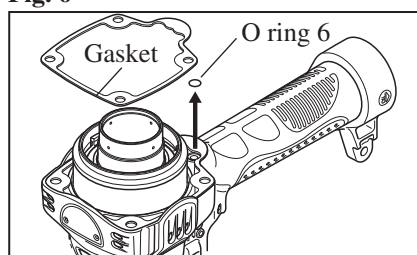


Fig. 7

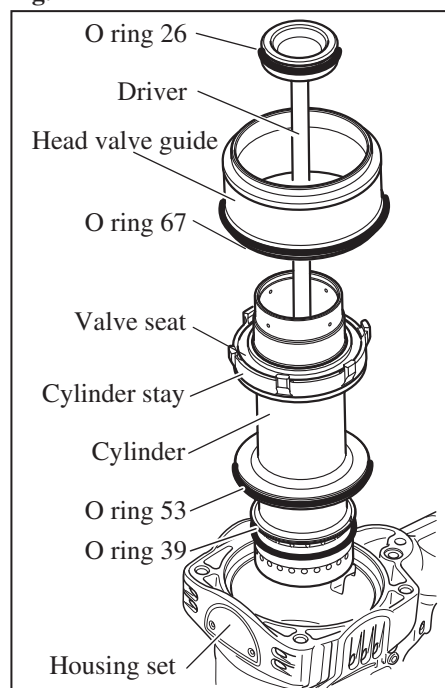


Fig. 8

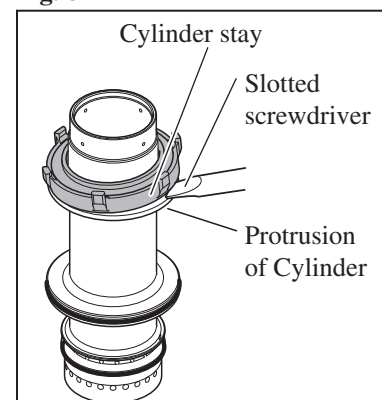
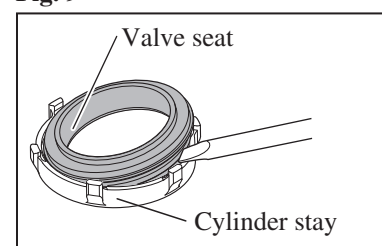


Fig. 9



ASSEMBLING

Take the disassembling step in reverse.

[3]-3. Magazine section

DISASSEMBLING

- (1) Remove Stop ring E-3 from Pin 4 on the reverse of Magazine ass'y using Slotted screwdriver. (**Fig. 10**)
Pin 4 can be pulled out as illustrated in **Fig. 2**.
- (2) Remove Retaining ring S-25 from Adjust shaft in the reverse of Change plate using 1R291. (**Fig. 11**)
- (3) In a manner as illustrated in **Fig. 12**, push Pins 2.5 and 3 out of Adjust sleeve.
Adjust sleeve can be removed. (**Fig. 13**)

Note: Do not miss Steel ball 3.5 that drops off in the above step.

Fig. 10

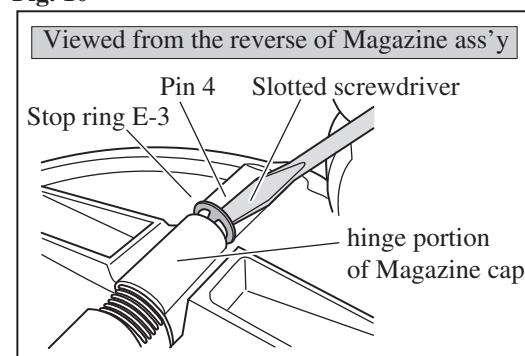


Fig. 11

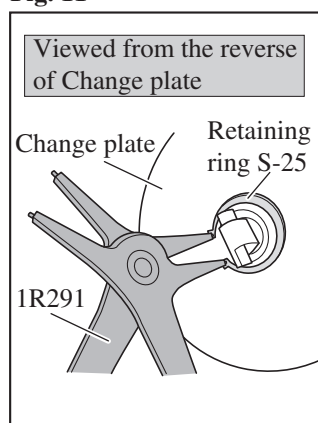


Fig. 12

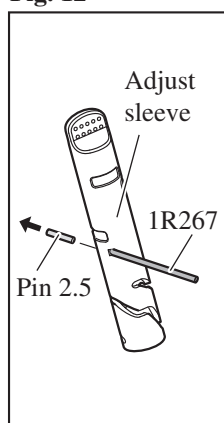
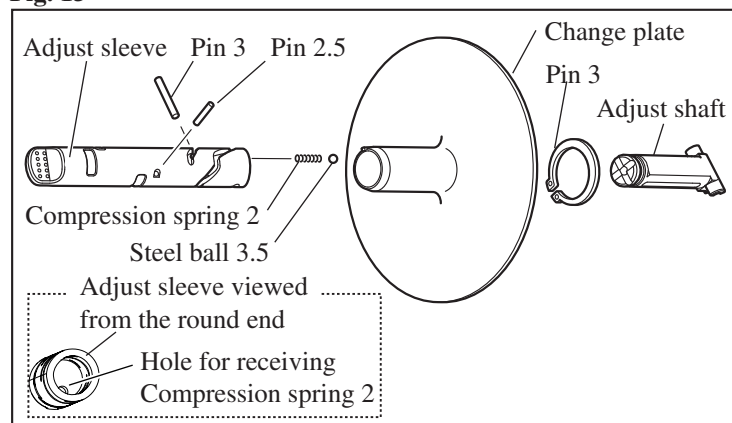


Fig. 13



► Repair

[3] ASSEMBLING/ DISASSEMBLING

[3]-3. Magazine section (cont.)

ASSEMBLING

Refer to previous page.

- (1) Insert one end of Compression spring 2 into the hole in Adjust sleeve, and attach Steel ball 3.5 to the other end of Compression spring 2 using grease in order not to drop off.
- (2) Insert Adjust shaft into Adjust sleeve, then set Pin 2.5 in place.
- (3) Pass Pin 3 through Adjust sleeve and Adjust shaft, then assemble Change plate to Adjust sleeve.

Note: Pay attention to their directions. Refer to **Fig. 14**.

Before fitting Retaining ring S-25 in place, check the following points;

- shifting Change plate to the desired height
- turning Adjust sleeve
- aligning indication of Nail length on Adjust sleeve with an arrow of Change plate
- facing the indication of Nail length to Inlet cap side

If the above checks are not successful, the position of Pin 3 is wrong.

- (4) Fit Retaining ring S-25 into the groove of Adjust shaft using 1R291.
- (5) Set Torsion spring 7 to the round end of Adjust shaft. Insert one leg of Torsion spring 7 to the hole of Adjust shaft, and hook the other leg with Magazine as illustrated in **Fig. 15**.
- (5) Pass Pin 4 through hinges of Magazine, Torsion spring 7 and Adjust shaft while bearing the restoring force of Torsion spring 7.

Note: Pass 1R308 temporarily in advance and then push out 1R308 by inserting Pin 4. This way helps easy setting of Pin 4.

- (6) Fit Stop ring E-3 to Pin 4 as illustrated in **Fig. 16**.

[3]-4. Trigger valve, Front cushion

DISASSEMBLING

Note: Removing Magazine ass'y, Driver guide, Adjuster ass'y and Trigger base section is required.

- (1) Remove M5x16 Hex socket head bolt and M5x28 Hex socket head bolt. Magazine ass'y and Contact arm cover can be removed. (**Fig. 17**)
- (2) Remove Urethane ring 3. Contact arm can be removed. (**Fig. 18**)
- (3) Remove four M8x30 Hex socket head bolts and Driver guide. (**Fig. 1**) Front cushion can be replaced. Driver can be replaced by accessing from Driver guide side.
- (4) Push out all pins around Trigger using 1R268. (**Fig. 22 of next page.**)
- (5) Remove Trigger base section and then slide Change rod out of Trigger base. (**Fig. 24 of next page.**)
- (6) Pick Trigger valve stem and remove Trigger valve portion using pliers. (**Fig. 19**)
- (7) Lever up Trigger valve guide using slotted screwdriver. (**Fig. 20**) Trigger valve section can be removed as illustrated in **Fig. 1**.

Fig. 18

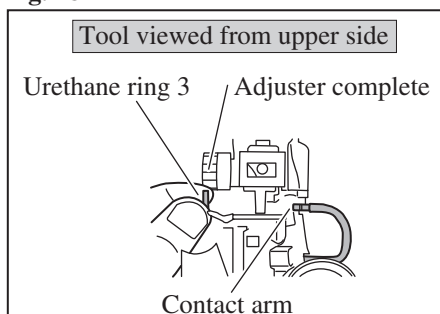


Fig. 19

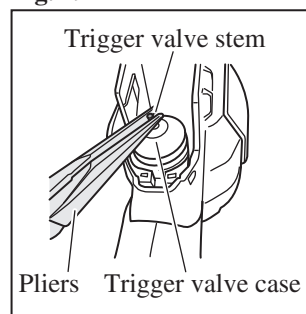


Fig. 20

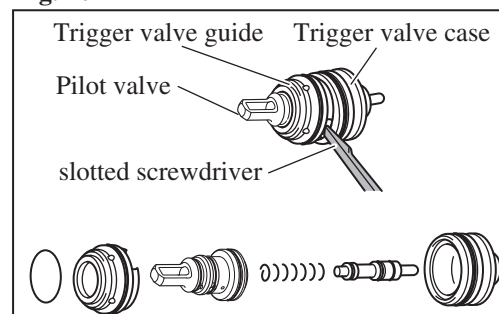


Fig. 14

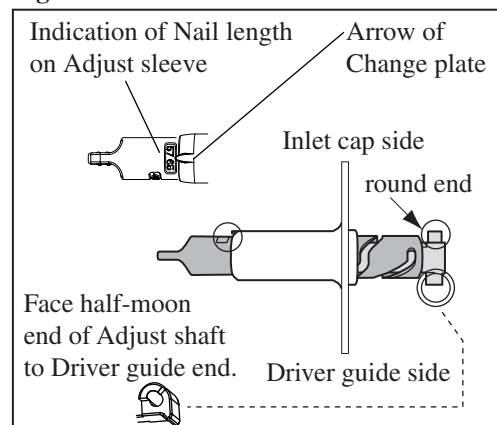


Fig. 15

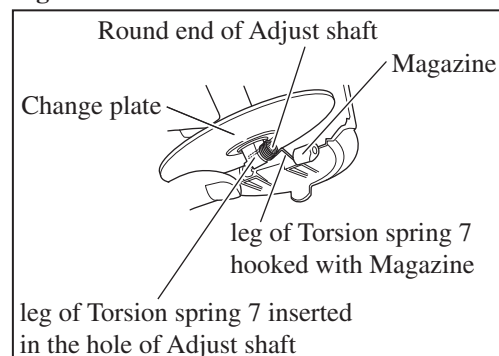


Fig. 16

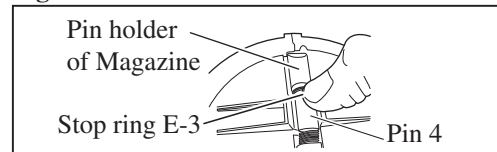
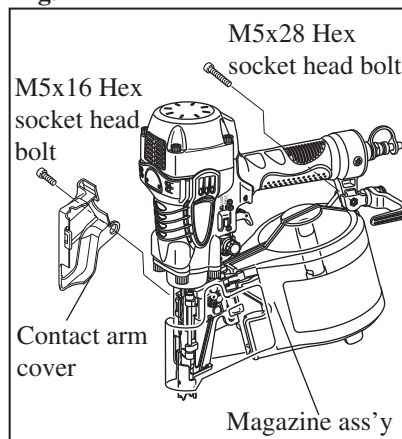


Fig. 17



► **Repair**

[3] ASSEMBLING/ DISASSEMBLING

[3]-4. Trigger valve, Front cushion (cont.)

ASSEMBLING

Refer to previous page and take the disassembling step in reverse.

- Note:**
- Trigger valve case and Trigger guide have to be firmly inserted into places until the click sounds can be heard.
 - Trigger base section has to be assembled so that Lever can be put into the center groove of Change rod.
 - Do not fail two different length Pins to set in place as illustrated in **Fig. 22**.
 - After setting 1R268 instead of Spring pins $\phi 3-20/ \phi 3-32$ temporarily, push out 1R268 by setting Spring pins $\phi 3-20/ \phi 3-32$ in place. (**Fig. 23**)

Fig. 21

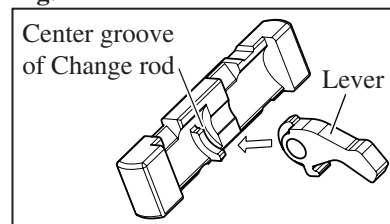


Fig. 22

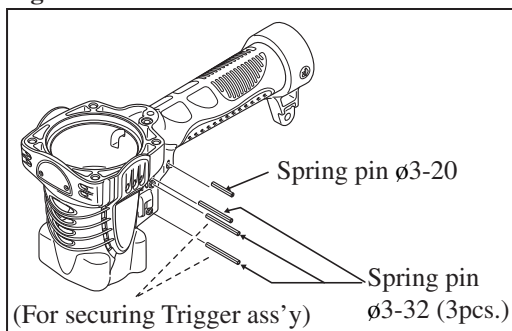
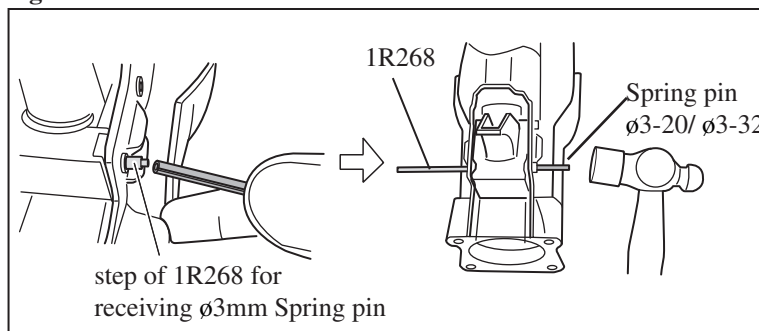


Fig. 23



[3]-5. Trigger ass'y

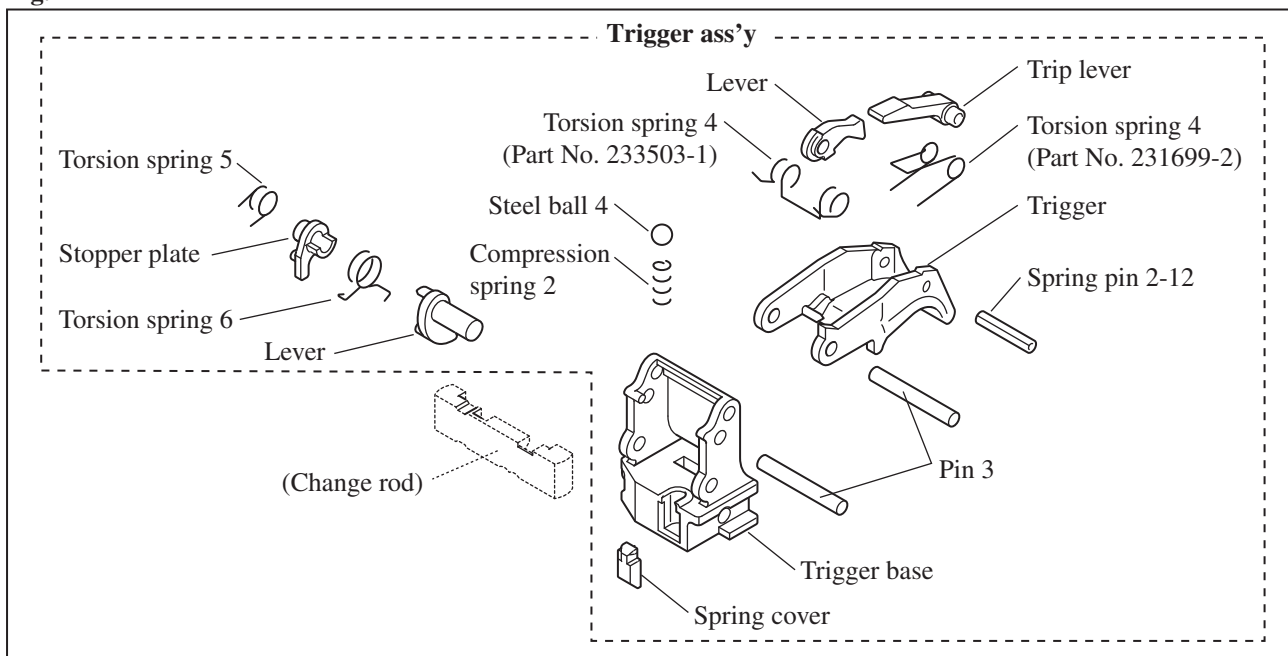
DISASSEMBLING

Trigger ass'y can be removed by pushing out two Spring pins $\phi 3-32$. (**Fig. 22**)

Refer to **Fig. 24** for the components as all-in-one package for repair purpose when disassembling Trigger ass'y.

Note: Trigger ass'y does not include Change rod.

Fig. 24



► Repair

[3] ASSEMBLING/ DISASSEMBLING

[3]-5. Trigger ass'y (cont.)

ASSEMBLING

- (1) Set Torsion spring 4 (Part No. 233503-1) to the hook of Lever, then pass Pin 3 through Trigger base, Trigger, Torsion spring 4 and Lever. (**Fig. 25**)
- (2) After Assembling Torsion spring 5, Stopper plate, Torsion spring 6 and Lever, pass Pin 3 through their holes. (**Figs. 24 and 26**)
 - Make a round rod by matching the half-arch shapes of Stopper plate and Lever.
 - Hook the one leg of Torsion spring 5 with the protrusion of Trigger base.
 - Hook the other leg of Torsion spring 5 with the protrusion of Stopper plate.
 - Hook the short leg of Torsion spring 6 with Stopper plate.
 - Hook the long leg of Torsion spring 6 with Lever.

Note: Do not put Trip lever under Lever. The wrong assembling way will cause fault.

- (3) Take the assembling step in accordance with the clause of [3]-4. Trigger valve.

Fig. 25

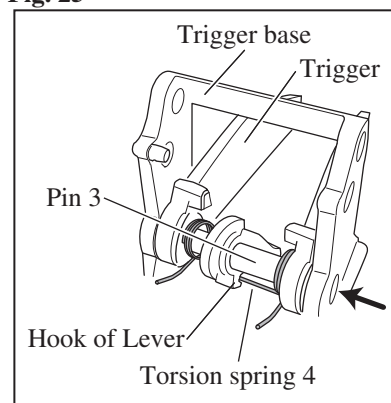
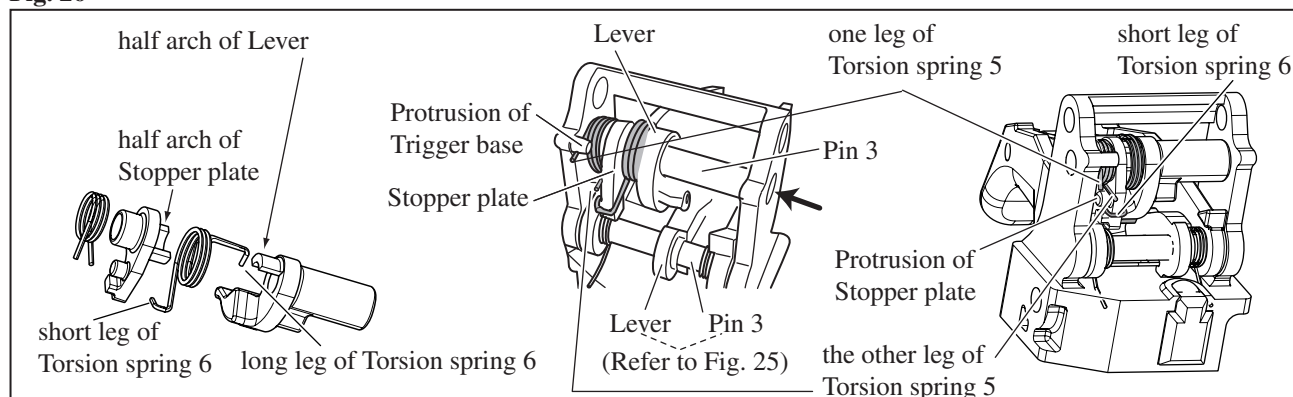


Fig. 26



[3]-6. Nail Depth Adjustment

DISASSEMBLING

Remove Spring pin 2-14 in Upper yoke using 1R266 and 1R032. (**Fig. 27**)

Remove Adjust shaft by turning it counterclockwise with careful not to lose Steel ball 2.3 and Compression spring 2.

Adjuster piece can be removed by turning it 90°.

Refer to **Fig. 28** for the components of Adjuster ass'y (that is all-in-one package for repair.)

Fig. 27

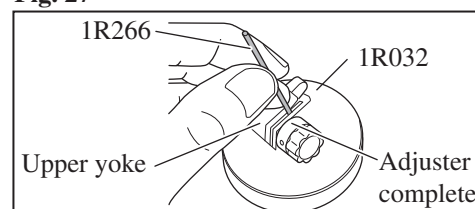
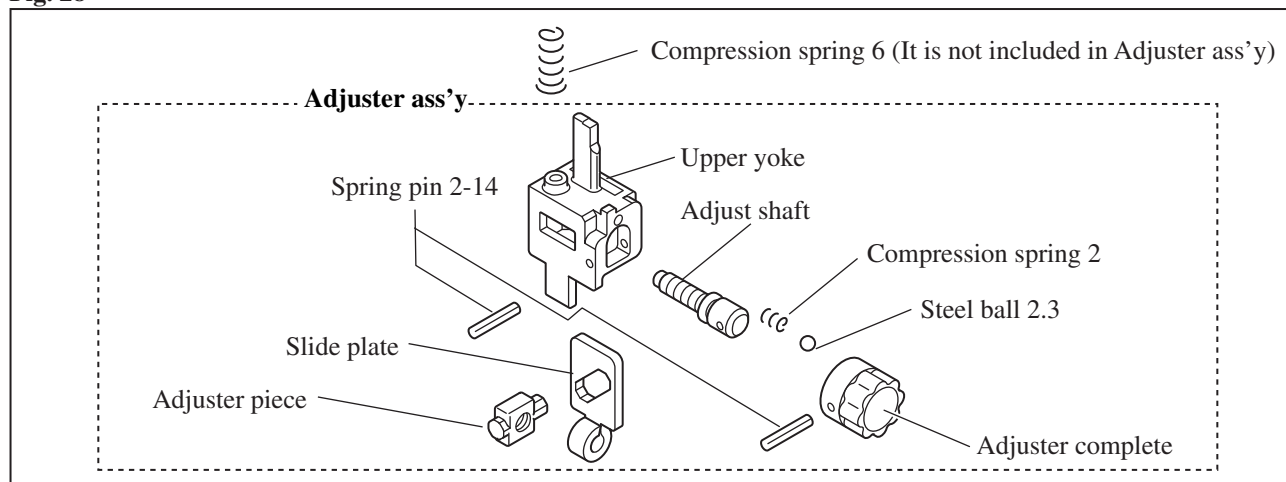


Fig. 28



ASSEMBLING

Take the disassembling step in reverse.

► **Repair**

[3] ASSEMBLING/ DISASSEMBLING

[3]-7. Driver guide, Piston for nail loading

REPLACING

(1) Remove Driver guide in accordance with the clause of [3]-3.

(2) Remove two M5x35 Hex socket head bolts for Cylinder.

Note: Be careful that their bolts and Cylinder pop out by reaction force of Compression spring 6 and Compression spring 9.

Refer to **Fig. 29** and replace the damaged parts.

Note: • When setting Cylinder in place, tighten two M5x35 Hex socket head bolts alternately to provide same torques. Do not lean Piston.

• Urethane ring 4 is used on Torsion spring 4 with Feeding claw.

Do not mistake Urethane ring 3 for the position of Urethane ring 4.

Fig. 29

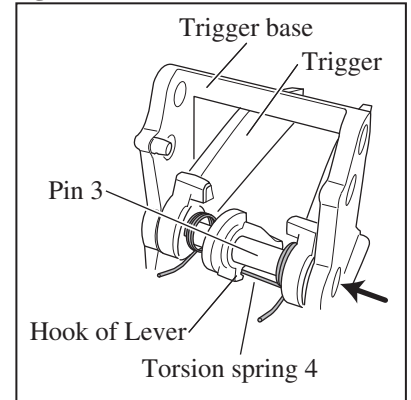
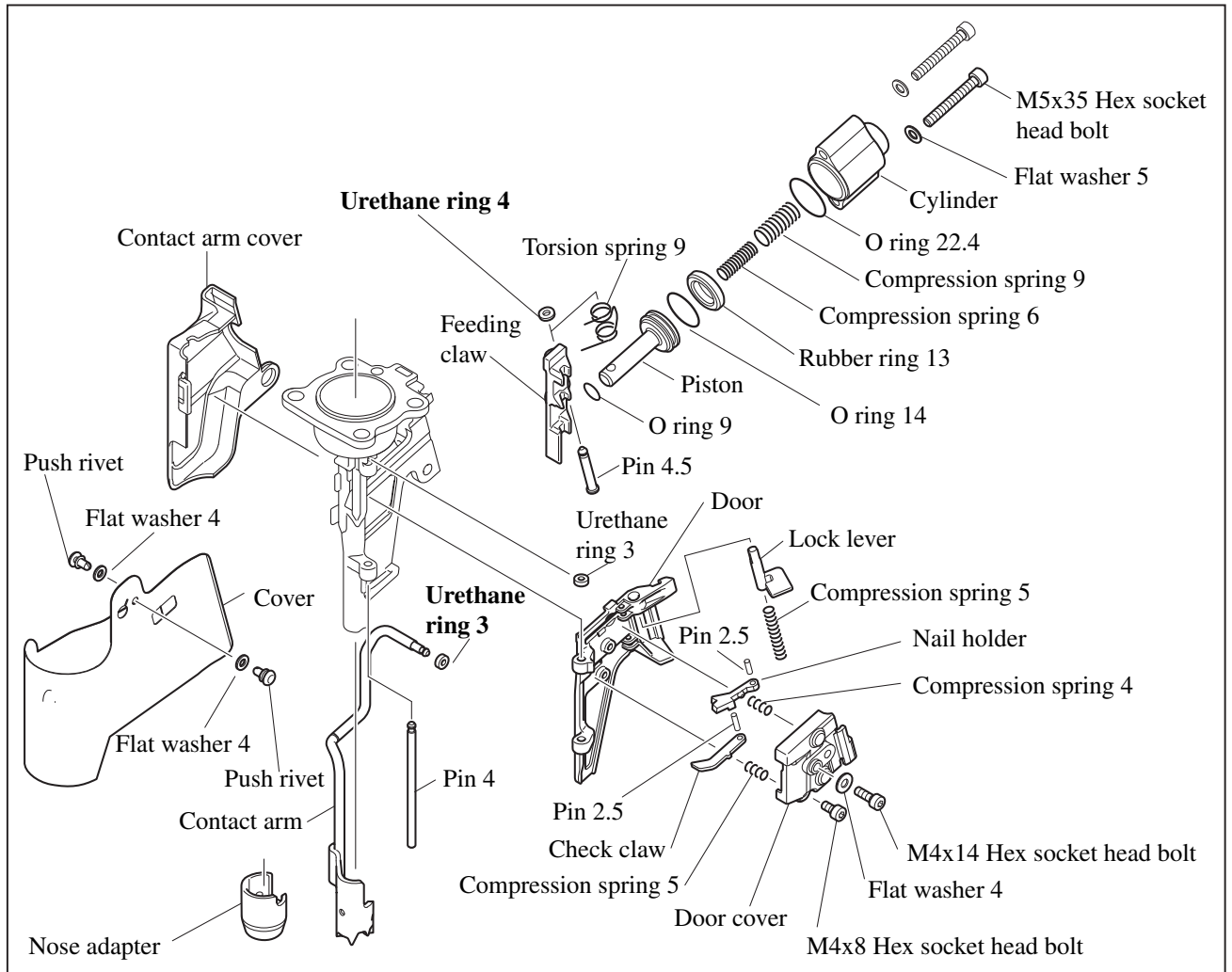


Fig. 30



► Repair

[3] ASSEMBLING/ DISASSEMBLING

[3]-8. Door cover section

ASSEMBLING

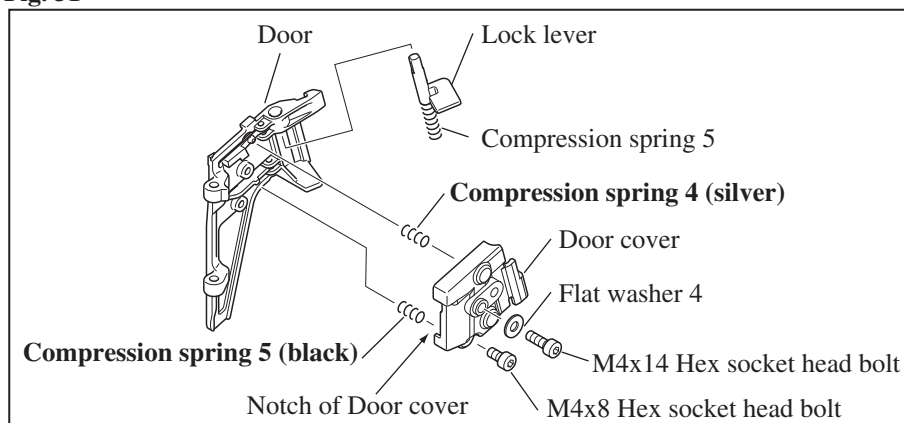
(1) Attach Compression spring 4 (silver) and Compression spring 5 (black) to the specific places between Door and Door cover using grease.

(2) Assemble Door cover to Door as illustrated in **Fig. 31**.

Note:

- As the notch of Door cover is difficult to fit into place of Door, Door cover is prone to be placed in wrong position. Do not fail to fit Door cover into Door properly.
- Do not mix up M4x8 Hex socket head bolt with M4x14 Hex socket head bolt. M4x14 Hex socket head bolt is screwed until the top is not protruded out of the thread hole of Door.

Fig. 31



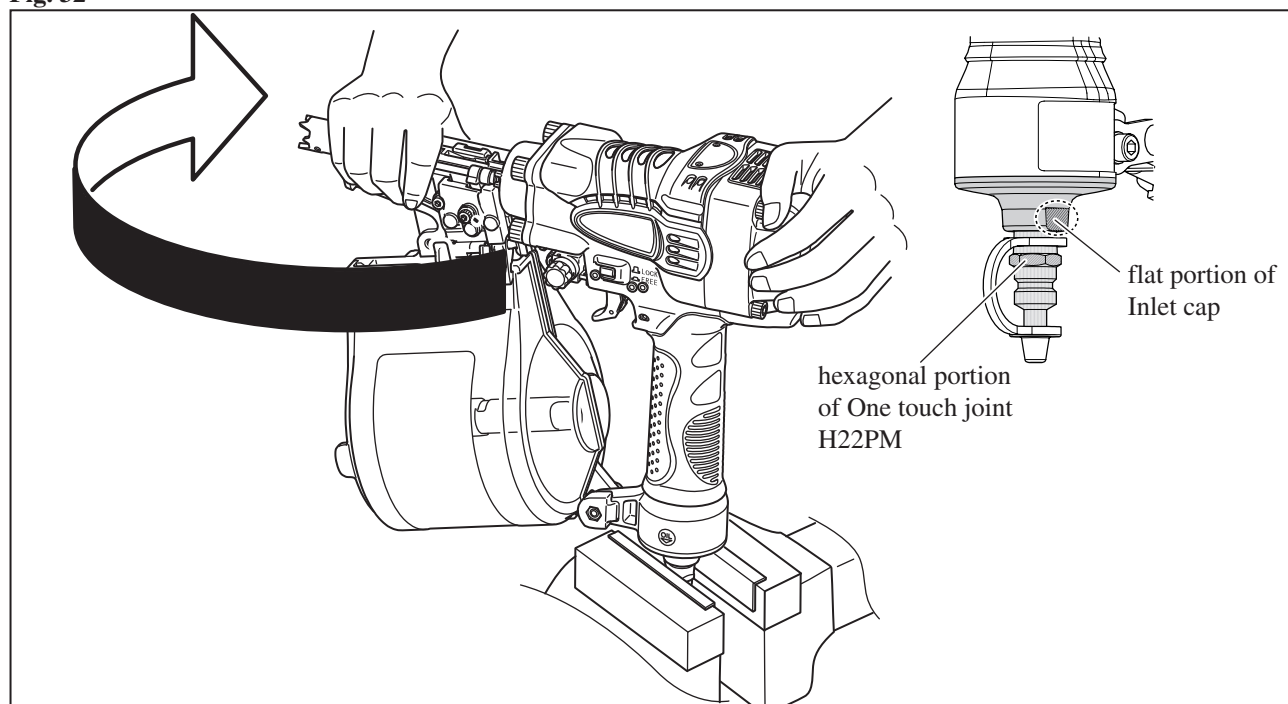
[3]-9. Inlet cap, One touch joint

DISASSEMBLING

When removing Inlet cap/ One touch joint H22PM, clamp this flat portion in vise, then turn the machine **clockwise**. (**Fig. 32**)

Note: Be careful the direction to turn One touch joint H22PM or Inlet cap when disassembling. They have left handed threads.

Fig. 32



ASSEMBLING

Take the disassembling step in reverse.

Free Manuals Download Website

<http://myh66.com>

<http://usermanuals.us>

<http://www.somanuals.com>

<http://www.4manuals.cc>

<http://www.manual-lib.com>

<http://www.404manual.com>

<http://www.luxmanual.com>

<http://aubethermostatmanual.com>

Golf course search by state

<http://golfingnear.com>

Email search by domain

<http://emailbydomain.com>

Auto manuals search

<http://auto.somanuals.com>

TV manuals search

<http://tv.somanuals.com>