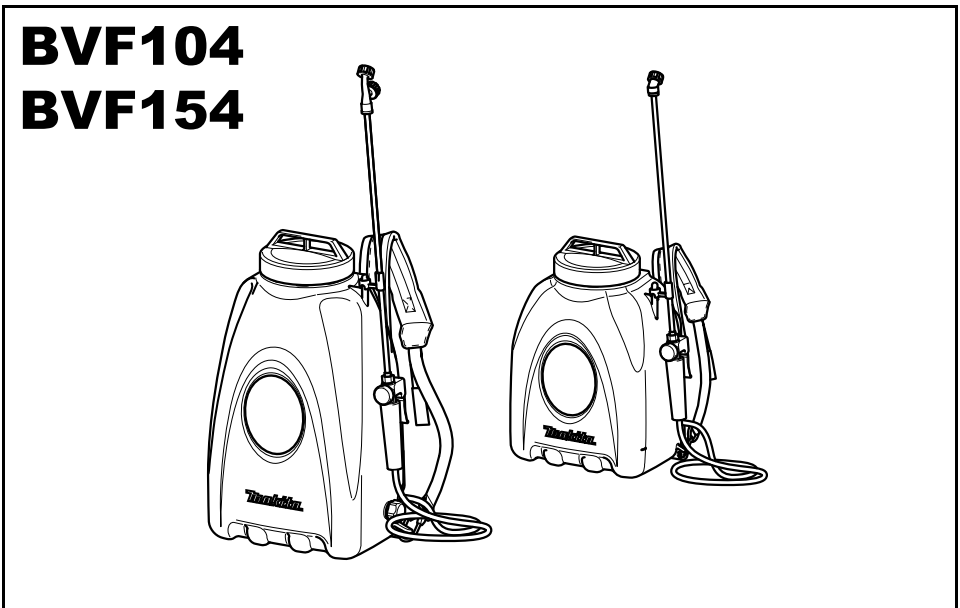
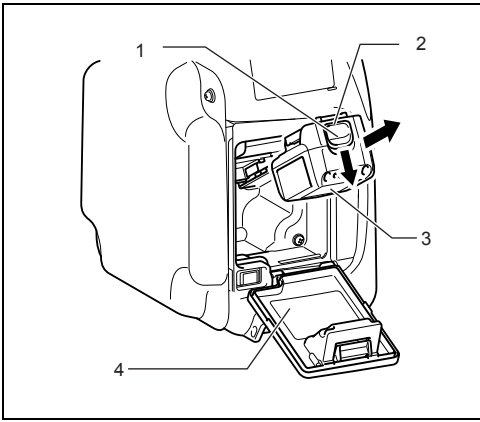


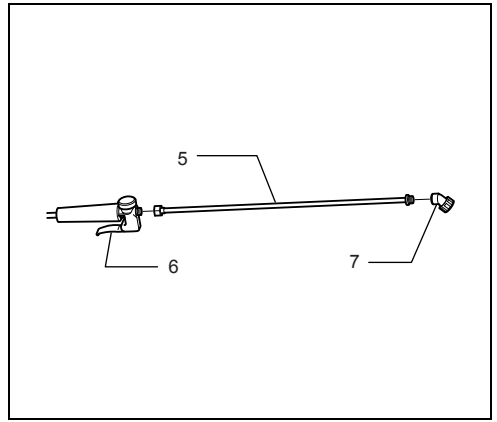


GB	Cordless Garden Sprayer	Instruction manual
ID	Mesin Semprotan Kebun Nirkabel	Petunjuk penggunaan
VI	Máy Xịt Vườn chạy Pin	Tài liệu hướng dẫn
TH	เครื่องพ่นยาปราบศัตรูพืชไร้สาย	คู่มือการใช้งาน

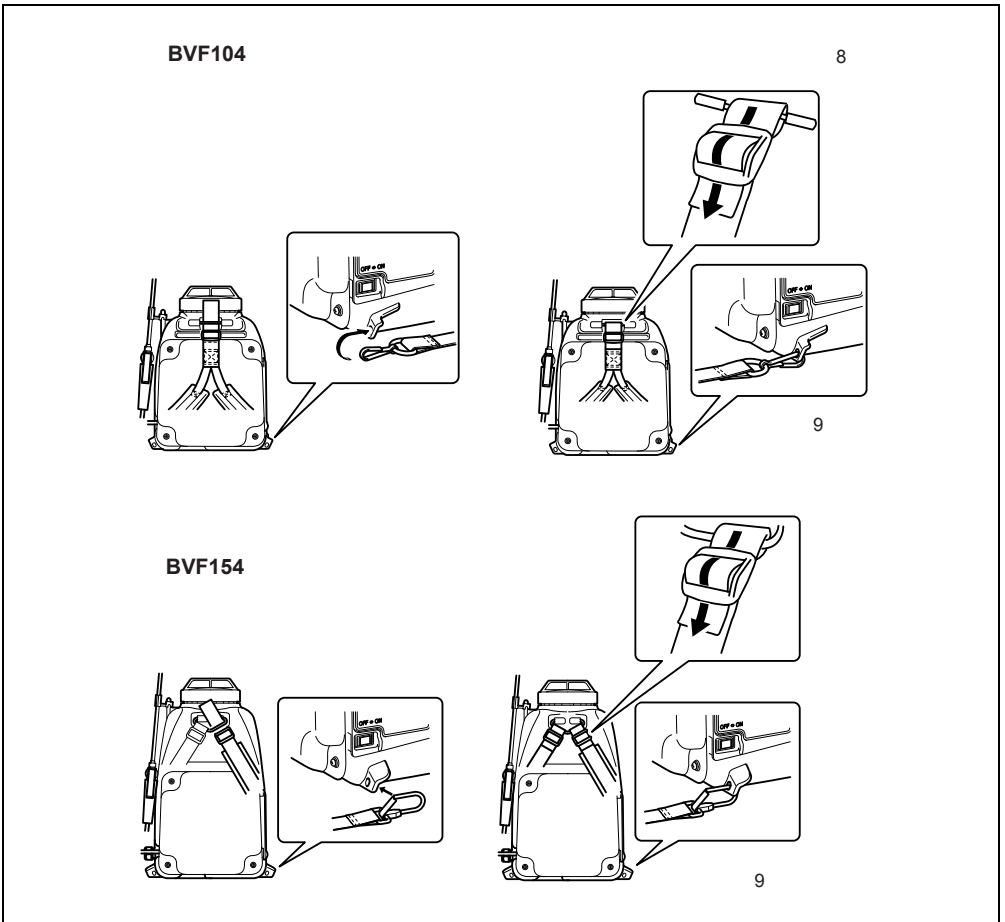




1

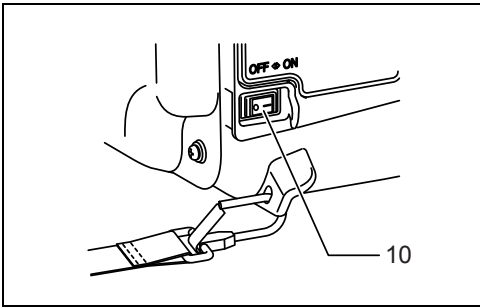


2

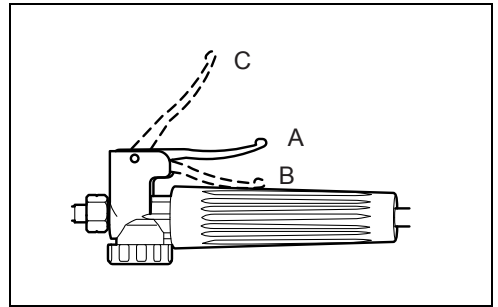


3

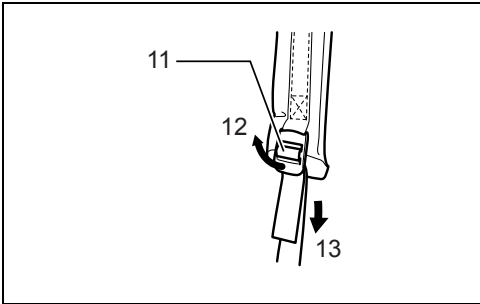
2



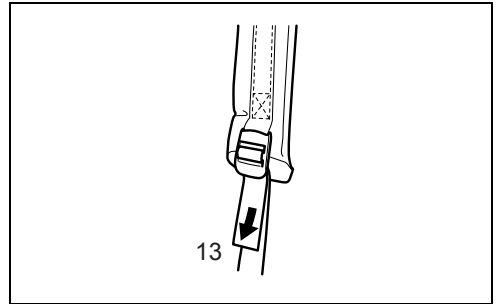
4



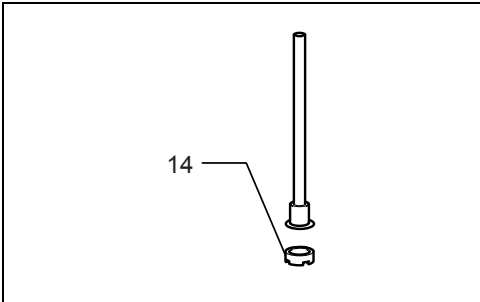
5



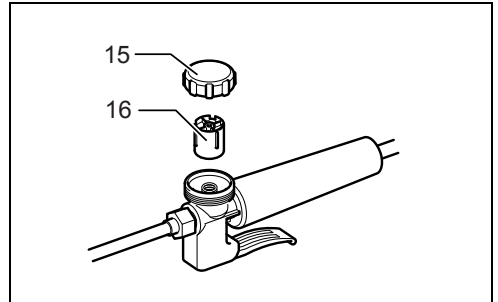
6



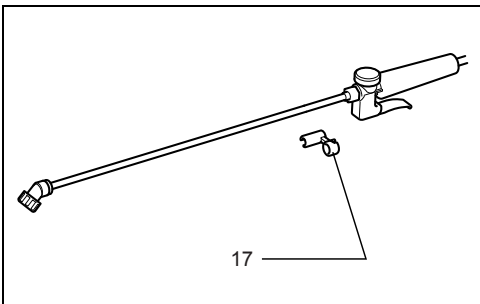
7



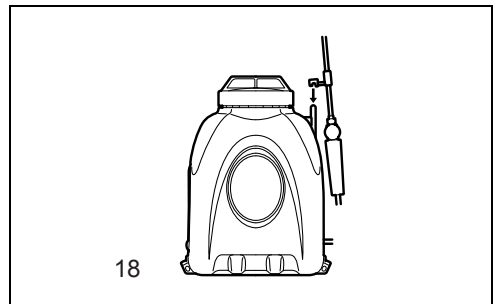
8



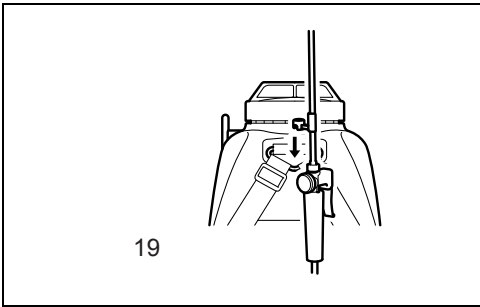
9



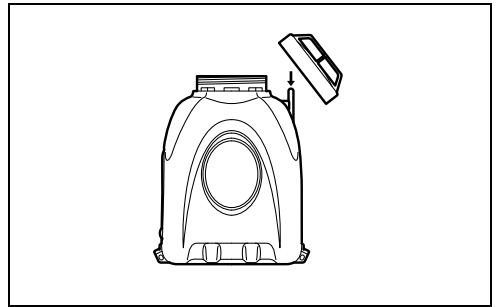
10



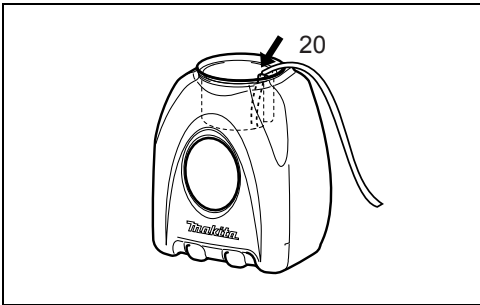
11



12



13



14

ENGLISH (Original instructions)

Explanation of general view

- | | | |
|--|-------------------------------|--|
| 1. Button | 9. Clip on back strap hooks | 18. Hooking holder onto post on shoulder of tank |
| 2. Red part | 10. Switch | 19. Hooking holder onto metal ring of back strap |
| 3. Battery cartridge | 11. Buckle | 20. Insert water hose here |
| 4. Battery pack cover | 12. Lift up buckle | |
| 5. Spray pipe | 13. Pull | |
| 6. Lever cock | 14. Water absorption strainer | |
| 7. Nozzle | 15. Lever cock cap | |
| 8. Pass the belt part of the back strap through the slot on the sprayer. | 16. Strainer | |
| | 17. Spray pipe holder | |

SPECIFICATIONS

Model		BVF104	BVF154
Pump type		Ceramic gear system	
Chemical tank capacity		10 L	15 L
Tank drain		Without	With
Spray valve		Integral grip lever	
Dimension (W X L X H)		315 mm x 225 mm x 415 mm	345 mm x 235 mm x 525 mm
Net weight		3.8 kg	4.1 kg
Performance	Maximum pressure		0.3 Mpa
	Discharge	Upright double-headed nozzle	0.8 L / min.
		Wide-angle herbicide nozzle	1.3 L / min.
	Continuous work time	Upright double-headed nozzle	125 min.
		Wide-angle herbicide nozzle	200 min.
Rated voltage		D.C. 18 V	D.C. 18 V

- Due to our continuing programme of research and development, the specifications herein are subject to change without notice.
- Specifications and battery cartridge may differ from country to country.
- Weight, with battery cartridge, according to EPTA-Procedure 01/2003

Symbols

END007-1

The following show the symbols used for the equipment. Be sure that you understand their meaning before use.



..... Read instruction manual.



..... Do not use in rain.



..... Wear protective mask.



..... Wear protective gloves.

Intended use

ENE071-1

The tool is intended for spraying agricultural and horticultural chemicals for pest and weed control.

General Power Tool Safety Warnings

GEA006-2

⚠ WARNING Read all safety warnings and all instructions. Failure to follow the warnings and instructions may result in electric shock, fire and/or serious injury.

Save all warnings and instructions for future reference.

The term "power tool" in the warnings refers to your mains-operated (corded) power tool or battery-operated (cordless) power tool.

Work area safety

1. **Keep work area clean and well lit.** Cluttered or dark areas invite accidents.
2. **Do not operate power tools in explosive atmospheres, such as in the presence of**

flammable liquids, gases or dust. Power tools create sparks which may ignite the dust or fumes.

- 3. Keep children and bystanders away while operating a power tool.** Distractions can cause you to lose control.

Electrical Safety

- 4. Power tool plugs must match the outlet. Never modify the plug in any way. Do not use any adapter plugs with earthed (grounded) power tools.** Unmodified plugs and matching outlets will reduce risk of electric shock.
- 5. Avoid body contact with earthed or grounded surfaces such as pipes, radiators, ranges and refrigerators.** There is an increased risk of electric shock if your body is earthed or grounded.
- 6. Do not expose power tools to rain or wet conditions.** Water entering a power tool will increase the risk of electric shock.
- 7. Do not abuse the cord. Never use the cord for carrying, pulling or unplugging the power tool. Keep cord away from heat, oil, sharp edges or moving parts.** Damaged or entangled cords increase the risk of electric shock.
- 8. When operating a power tool outdoors, use an extension cord suitable for outdoor use.** Use of a cord suitable for outdoor use reduces the risk of electric shock.
- 9. If operating a power tool in a damp location is unavoidable, use a ground fault circuit interrupter (GFCI) protected supply.** Use of an GFCI reduces the risk of electric shock.

Personal Safety

- 10. Stay alert, watch what you are doing and use common sense when operating a power tool. Do not use a power tool while you are tired or under the influence of drugs, alcohol or medication.** A moment of inattention while operating power tools may result in serious personal injury.
- 11. Use personal protective equipment. Always wear eye protection.** Protective equipment such as dust mask, non-skid safety shoes, hard hat, or hearing protection used for appropriate conditions will reduce personal injuries.
- 12. Prevent unintentional starting. Ensure the switch is in the off-position before connecting to power source and/or battery pack, picking up or carrying the tool.** Carrying power tools with your finger on the switch or energising power tools that have the switch on invites accidents.
- 13. Remove any adjusting key or wrench before turning the power tool on.** A wrench or a key left attached to a rotating part of the power tool may result in personal injury.
- 14. Do not overreach. Keep proper footing and balance at all times.** This enables better control of the power tool in unexpected situations.
- 15. Dress properly. Do not wear loose clothing or jewellery. Keep your hair, clothing, and gloves away from moving parts.** Loose clothes, jewellery or long hair can be caught in moving parts.

- 16. If devices are provided for the connection of dust extraction and collection facilities, ensure these are connected and properly used.** Use of dust collection can reduce dust-related hazards.

Power tool use and care

- 17. Do not force the power tool. Use the correct power tool for your application.** The correct power tool will do the job better and safer at the rate for which it was designed.
- 18. Do not use the power tool if the switch does not turn it on and off.** Any power tool that cannot be controlled with the switch is dangerous and must be repaired.
- 19. Disconnect the plug from the power source and/or the battery pack from the power tool before making any adjustments, changing accessories, or storing power tools.** Such preventive safety measures reduce the risk of starting the power tool accidentally.
- 20. Store idle power tools out of the reach of children and do not allow persons unfamiliar with the power tool or these instructions to operate the power tool.** Power tools are dangerous in the hands of untrained users.
- 21. Maintain power tools. Check for misalignment or binding of moving parts, breakage of parts and any other condition that may affect the power tool's operation. If damaged, have the power tool repaired before use.** Many accidents are caused by poorly maintained power tools.
- 22. Keep cutting tools sharp and clean.** Properly maintained cutting tools with sharp cutting edges are less likely to bind and are easier to control.
- 23. Use the power tool, accessories and tool bits etc. in accordance with these instructions, taking into account the working conditions and the work to be performed.** Use of the power tool for operations different from those intended could result in a hazardous situation.

Battery tool use and care

- 24. Recharge only with the charger specified by the manufacturer.** A charger that is suitable for one type of battery pack may create a risk of fire when used with another battery pack.
- 25. Use power tools only with specifically designated battery packs.** Use of any other battery packs may create a risk of injury and fire.
- 26. When battery pack is not in use, keep it away from other metal objects, like paper clips, coins, keys, nails, screws or other small metal objects, that can make a connection from one terminal to another.** Shorting the battery terminals together may cause burns or a fire.
- 27. Under abusive conditions, liquid may be ejected from the battery; avoid contact. If contact accidentally occurs, flush with water. If liquid contacts eyes, additionally seek medical help.** Liquid ejected from the battery may cause irritation or burns.

SERVICE

28. Have your power tool serviced by a qualified repair person using only identical replacement parts. This will ensure that the safety of the power tool is maintained.
29. Follow instruction for lubricating and changing accessories.
30. Keep handles dry, clean and free from oil and grease.

SPECIFIC SAFETY RULES GEB044-3

DO NOT let comfort or familiarity with product (gained from repeated use) replace strict adherence to Garden Sprayer safety rules. If you use this tool unsafely or incorrectly, you can suffer serious personal injury.

Safety Warnings for Spraying Operation:

1. Do not use the sprayer for any other purpose than spraying agricultural and horticultural chemicals for pest and weed control.
2. Concerning the use of chemical sprays, be sure to thoroughly read the chemical instructions, in order to become fully acquainted with toxicities and usage methods.
3. If chemical comes into contact with skin, immediately wash thoroughly with soap.
4. Firmly close chemical tank lid to prevent leaking.
5. Never transfer chemical to another container.
6. Always thoroughly wash empty chemical containers when mixing spray liquid and then follow chemical manufacturer's instructions to correctly dispose of containers at all times.
7. Before using the sprayer, be sure to check there are no abnormalities, such as displacement of packing from connector, looseness of screws, missing components, and/or cracked/worn/damaged hose.
Using an incomplete sprayer may cause an accident and/or injury.
8. People not involved in spraying should refrain from approaching the worksite during spraying.
9. When transporting a chemical-loaded sprayer by vehicle, there is a risk of leaking, so always firmly tighten the chemical tank lid, and secure the sprayer in an upright position.
10. Never use items such as strongly acidic chemicals, paints, thinners, gasoline or benzene with the sprayer, as there is a danger of burns or fire.
11. Be sure to select the appropriate chemical (taking into consideration usage method and effectiveness) to deal with the pest or weed in question.
12. An inappropriately mixed chemical may harm humans as well as damage crops/plants. When mixing chemical, thoroughly read chemical instructions, and dilute chemical correctly prior to use.
13. Always mix chemical before loading it into tank.
14. To prevent inhalation and/or contact with chemical, be sure to wear safety clothing (hat, protective goggles, protective mask, rubber gloves, long-sleeved pest-control jacket, long

- trousers and gumboots), so that skin is not exposed when spraying.
15. Always load the tank with chemical or clean water when operating the sprayer, as operating the sprayer with an empty tank may damage the pump.
 16. If the sprayer stops running, or an abnormal sound is emitted, immediately switch OFF the sprayer, and discontinue use.
 17. Constantly be aware of wind direction while spraying, to ensure spraying from upwind to downwind, in order to prevent direct chemical contact with body. Also, be careful to keep chemical from reaching surroundings, and stop using the sprayer when the wind is strong.
 18. As there is a risk of chemical poisoning when spraying in a greenhouse, always ventilate while spraying.
 19. Avoid spraying when atmospheric temperature is high.
 20. Avoid prolonged operation of sprayer. Whenever possible, rotate operators.
 21. If even a slight headache or dizziness, etc., occurs, stop spraying work immediately, and consult a doctor. Moreover, be sure to clearly inform the doctor of the name of the agrochemical being used, and the operating circumstances.
 22. In cases where spray status deteriorates and nozzle needs cleaning, there is a risk of the chemical liquid coming into contact with the face, so be sure to switch OFF the sprayer, and then remove the nozzle to clean.
 23. Be sure to dispose of wastewater generated from washing used containers and chemical tank appropriately in a location where it will not flow into rivers and streams and/or contaminate groundwater.
 24. After spraying, if chemical remains in the chemical tank, spray hose, spray pipe and nozzle, it may cause spray injury. Be sure to fully wash away residual chemical with clean water - in particular, after spraying with herbicide.
 25. Keep agrochemicals away from children. Be sure to store residual chemicals in chemical-designated storage containers.
 26. After completion of spraying, be sure to wash (spray wash) equipment with clean water, drain off the washing water, and store indoors away from direct sunlight and freezing temperatures, and out of reach of children.
 27. After completion of spraying, be sure to thoroughly wash entire body with soap, rinse eyes, and gargle. During spraying period, change clothes daily.

⚠ WARNING:

MISUSE or failure to follow the safety rules stated in this instruction manual may cause serious personal injury.

SAVE THESE INSTRUCTIONS.

IMPORTANT SAFETY INSTRUCTIONS

ENC007-4

FOR BATTERY CARTRIDGE

1. Before using battery cartridge, read all instructions and cautionary markings on (1) battery charger, (2) battery, and (3) product using battery.
2. Do not disassemble battery cartridge.
3. If operating time has become excessively shorter, stop operating immediately. It may result in a risk of overheating, possible burns and even an explosion.
4. If electrolyte gets into your eyes, rinse them out with clear water and seek medical attention right away. It may result in loss of your eyesight.
5. Do not short the battery cartridge:
 - (1) Do not touch the terminals with any conductive material.
 - (2) Avoid storing battery cartridge in a container with other metal objects such as nails, coins, etc.
 - (3) Do not expose battery cartridge to water or rain.
A battery short can cause a large current flow, overheating, possible burns and even a breakdown.
6. Do not store the tool and battery cartridge in locations where the temperature may reach or exceed 50°C (122°F).
7. Do not incinerate the battery cartridge even if it is severely damaged or is completely worn out. The battery cartridge can explode in a fire.
8. Be careful not to drop or strike battery.
9. Do not use dropped or struck battery.

SAVE THESE INSTRUCTIONS.

Tips for maintaining maximum battery life

1. Charge the battery cartridge before completely discharged.
Always stop tool operation and charge the battery cartridge when you notice less tool power.
2. Never recharge a fully charged battery cartridge. Overcharging shortens the battery service life.
3. Charge the battery cartridge with room temperature at 10°C - 40°C (50°F - 104°F). Let a hot battery cartridge cool down before charging it.

FUNCTIONAL DESCRIPTION

⚠ CAUTION:

- Always be sure that the tool is switched off and the battery cartridge is removed before adjusting or checking function on the tool.

Installing or removing battery cartridge (Fig. 1)

- Open Sprayer's battery pack cover.
- Always switch off the tool before insertion or removal of the battery cartridge.

- To remove the battery cartridge, withdraw it from the tool while sliding the button on the front of the cartridge.
- To insert the battery cartridge, align the tongue on the battery cartridge with the groove in the housing and slip it into place. Always insert it all the way until it locks in place with a little click. If you can see the red part on the upper side of the button, it is not locked completely. Insert it fully until the red part cannot be seen. If not, it may accidentally fall out of the tool, causing injury to you or someone around you.
- Do not use force when inserting the battery cartridge. If the cartridge does not slide in easily, it is not being inserted correctly.

ASSEMBLY

⚠ CAUTION:

- Always be sure that the tool is switched off and the battery cartridge is removed before carrying out any work on the tool.

Spray pipe and nozzle assembly method (Fig. 2)

- As shown in the diagram, assemble spray pipe and then nozzle onto lever cock.
- Adjust direction of nozzle using nut on spray pipe.
- Firmly attach components to ensure there is no leaking.
- Select nozzle according to type of spraying to be done.

NOTE:

- All connector units use packing. Before assembly, always check to see that the units have packing.
- Check to make sure that the spray hose is not cracked, worn and/or damaged.
- Firmly tighten on the spray pipe to prevent liquid leaks.
- If there is a leak from a connector unit, tighten further using a hand tool (by approximately 45 degrees).
- Do not use a spray pipe that is longer than the standard one provided. Doing so may cause leaking from connector units.

Back strap attaching method (Fig. 3)

Use the diagram pointers to attach the back strap at top and bottom, making sure there are no twists in the strap.

NOTE:

- Check to make sure that back strap is securely attached to chemical tank.

OPERATION

⚠ CAUTION:

- Before inserting the battery cartridge into the tool, always check to see that the tool is switched off.

Spraying

⚠ CAUTION:

- To prevent sudden spraying, be sure to set the lever cock to STOP, before turning sprayer switch ON or OFF.
- When spray work is interrupted, be sure to turn switch OFF, to prevent inadvertent spraying. (Fig. 4)

Be sure to check the situation of surroundings before turning sprayer switch ON.

Operate lever cock to spray.

Once spraying is complete, immediately set lever cock to STOP, and then turn sprayer switch OFF.

How to use lever cock (Fig. 5)

1. Position "A" is the STOP position.
2. Position "B" is the spray position. Release the lever, and it will return to position "A" and spraying will stop. (Intermittent spraying)
3. Position "C" is the continuous spray position. (Continuous spraying)

NOTE:

- Check to make sure the tank is loaded with chemical or clean water when operating the sprayer, as continued operation of the sprayer with an empty tank may burn out the pump.
- Running the sprayer for prolonged periods with the lever cock closed may have an adverse effect on the pump as well as drain the battery. Be sure to turn sprayer switch OFF whenever possible.
- If spray splutters, or pumps suddenly screeches, the chemical tank is empty, so immediately turn sprayer switch OFF.
- Do not spray with the battery cover open and/or with the back-support cushioning removed, as there is a risk of damage to electrical system. Moreover, do not point the spray nozzle at the sprayer and spray.
- Do not forcibly handle the lever cock and/or the spray pipe.

Mixing chemical

⚠ CAUTION:

- Never use Kelthane water dispersible powder (acaricide) because it tends to harden due to heat generated by pump during operation, which causes the pump to stop. Use a Kelthane emulsion, Akar emulsion or Osadan water dispersible powder or lime sulfur, be sure to dissolve well prior to use.
- Take maximum care when handling chemicals. Wash away thoroughly if chemical comes into contact with body.
- Chemicals are harmful. Always adhere to chemical manufacturer instructions when handling chemicals.
- See chart below for ratio information that is useful when diluting chemicals.
- When using a water dispersible powder, etc., dissolve thoroughly in a container such as a bucket.

Chemical \ Water	Dilution ratio		
	500	1,000	2,000
4 L	8 mL	4 mL	2 mL
6 L	12 mL	6 mL	3 mL
8 L	16 mL	8 mL	4 mL
10 L	20 mL	10 mL	5 mL
12 L	24 mL	12 mL	6 mL
15 L	30 mL	15 mL	7.5 mL

Chemical replenishment

⚠ WARNING:

- When changing chemical, be sure to carefully wash the tank, pump, and nozzle, etc. with clean water. Residue of the previous chemical may cause a spray injury. Moreover, if chemicals mix, a chemical change may occur, with the danger of generating a toxic gas.
- Be sure to wear protective gloves.
- Do not change chemical in poorly ventilated locale. (prevent chemical poisoning)

Check to make sure the sprayer switch is OFF and replenish chemical tank with mixed chemical.

When filling tank with chemical, always strain chemical through equipped tank strainer.

The side of the chemical tank is marked with scale divisions, so be sure to use these as operation guidelines. Firmly tighten chemical tank lid to prevent leaking.

Back strap adjustment

Adjust back strap to a length that brings the sprayer as close to the body as feasibly possible.

Lengthening strap

- (1) Lift up buckle.
- (2) Pull the belt on the side connected to the sprayer. (Fig. 6)

Shortening strap

Pull the belt on the free side. (Fig. 7)

NOTE:

When shortening the strap, it will move relatively easily if there is no weight exerted on the strap.

MAINTENANCE

⚠ CAUTION:

- Always be sure that the tool is switched off and the battery cartridge is removed before attempting to perform inspection or maintenance.
- For inspection and maintenance, always wear protective gloves.

After-use maintenance

- After use, remove residual liquid from chemical tank, and wash away clinging chemical from inside of tank using clean water.
- Now fill up chemical tank with clean water and run the sprayer for 2 to 3 minutes to wash out residual chemical from the pump, hose, and nozzle, etc.
- Remove the residual liquid from inside the chemical tank, restart the pump, and run the sprayer until residual liquid ceases to come out of the nozzle, and then turn sprayer switch OFF.
- Wipe away moisture and dirt from equipment, and then check for damage and leaks.

Daily checks

- Before work, check to see whether or not fastened units are loose and components are missing.
- Check to make sure the spray hose is not cracked, worn and/or damaged.
- After use, always be sure to wipe dirt off of exterior, and to check for damage and/or leaks.

Cleaning water absorption strainer (Fig. 8)

After removing chemical from tank, remove the water absorption strainer at the bottom of the tank, and clean it.

Cleaning lever cock strainer (Fig. 9)

Remove lever cock cap and clean strainer.

NOTE:

Water absorption strainer

- This is a filter used to prevent dirt and dust (that for some reason has got passed the tank strainer into the tank) from getting into the pump. If the water absorption strainer becomes blocked, spraying will deteriorate, and there is a risk of the pump being adversely affected.

Lever cock strainer

- Spraying deteriorates if the lever cock strainer becomes blocked.

Sprayer storage

- Wash the equipment using the after-use maintenance procedures.
- In particular, when storing during the winter season, breakdown or damage may occur due to freezing of residual chemical and/or washing water in the pump. Run the pump until all residual liquid has exited from the nozzle, check to make sure there is no more residual liquid, turn the sprayer switch OFF, and then store the sprayer away.

⚠ CAUTION:

Store the Sprayer out of reach of children, in an indoor locale that does not freeze, is away from direct sunlight, and has good ventilation.

- Take full care in storing the sprayer, as, in some cases, the plastic components will deteriorate markedly if left

in direct sunlight for a prolonged period; moreover, product caution labels will discolor and/or come off.

Useful Tips

Spray pipe holder

Be sure to attach the holder in the right direction. (Fig. 10)

NOTE:

- For configuration reasons, force is required in the attaching process, but care should be taken not to bend the spray pipe.

Use the holder when taking a rest, replenishing chemical liquid, and at times of storage, etc. (Fig. 11)

For Model BVF154 only (Fig. 12)

Chemical tank holder post (Fig. 13)

The holder post also serves as a temporary holder for the chemical tank lid, so please hook it onto this post.

Tank strainer

Hands can be freed up by inserting the water hose in the useful notched section of the tank strainer. (Fig. 14)

Main plant diseases and pests

Always adhere to chemical manufacturer instructions when handling chemicals. Thoroughly dissolve chemical prior to use.

What to do if you think there is a breakdown

Before asking for repairs, first, conduct your own inspection. If you find a problem that is not explained in the manual, do not rashly dismantle the sprayer. Instead, ask Makita Authorized Service Centers, always using Makita replacement parts.

Malfunction status		Cause	Action
Motor (pump) will not work	Switch OFF	The switch is OFF	Turn switch ON
	Switch ON	Battery problem (under voltage)	Recharge If recharging is not effective, replace battery.
		Wiring connector is disconnected	Request an overhaul
		Wiring break	Request an overhaul
		Switch breakdown	Request an overhaul
		Motor breakdown	Request an overhaul
		Blown fuse	Request an overhaul
		Pump is working but spray is not coming out	Blocked nozzle
No liquid in chemical tank	Replenish		
Chemical tank lid's blowhole is blocked	Clean		
Blocked piping	Request an overhaul		
Broken or cracked piping	Request an overhaul		
Disconnected or broken piping	Request an overhaul		
Blocked water absorption strainer	Remove and clean		

Malfunction status	Cause	Action
Sprayer sprays but is abnormal or spray pressure is weak	Chemical tank lid's blowhole is blocked	Clean
	Blocked piping	Request an overhaul
	Broken or cracked piping	Request an overhaul
	Disconnected or broken piping	Request an overhaul
	Blocked water absorption strainer	Remove and clean
	Blocked lever cock strainer	Remove and clean
	Abnormal pressure regulator	Request an overhaul
	Worn gear case	Request an overhaul
A strange sound is emitted when switch is turned ON	Coupling that drives pump is broken	Request an overhaul
	Blocked nozzle	Clean or replace
When sprayer is left after being switched OFF, a large amount of liquid flows out of the nozzle	Lever cock is set to continuous spray	Set lever cock to STOP

To maintain product SAFETY and RELIABILITY, repairs, any other maintenance or adjustment should be performed by Makita Authorized Service Centers, always using Makita replacement parts.

ACCESSORIES

CAUTION:

- These accessories or attachments are recommended for use with your Makita tool specified in this manual. The use of any other accessories or attachments might present a risk of injury to persons. Only use accessory or attachment for its stated purpose.

If you need any assistance for more details regarding these accessories, ask your local Makita Service Center.

- Various nozzles
- Various type of Makita genuine batteries and chargers

BAHASA INDONESIA (Petunjuk asli)

Penjelasan tampilan keseluruhan

- | | | |
|---|---------------------------------|--|
| 1. Tombol | 9. Klip pada kait tali punggung | 18. Mengaitkan penahan pada pancang kecil di bahu tangki |
| 2. Bagian merah | 10. Saklar | 19. Mengaitkan penahan pada cincin logam tali punggung |
| 3. Kartrid baterai | 11. Gesper | 20. Masukkan slang air di sini |
| 4. Penutup wadah baterai | 12. Angkat gesper | |
| 5. Pipa semprotan | 13. Tarik | |
| 6. Kokang tuas | 14. Saringan penyerapan air | |
| 7. Nozel | 15. Tutup kokang tuas | |
| 8. Selipkan bagian sabuk dari tali punggung ke dalam lubang pada mesin semprotan. | 16. Saringan | |
| | 17. Penahan pipa semprotan | |

SPESIFIKASI

Model		BVF104	BVF154
Tipe pompa		Sistem gir keramik	
Kapasitas tangki kimia		10 L	15 L
Lubang pembuangan tangki		Tidak ada	Ada
Katup semprot		Tuas pegangan terpadu	
Dimensi (L x P x T)		315 mm x 225 mm x 415 mm	345 mm x 235 mm x 525 mm
Berat bersih		3,8 kg	4,1 kg
Kinerja	Tekanan maksimum		0,3 Mpa
	Penyemprotan	Nozel kepala ganda tegak lurus	0,8 L / men.
		Nozel herbisida bersudut lebar	1,3 L / men.
	Waktu kerja berkelanjutan	Nozel kepala ganda tegak lurus	125 men.
		Nozel herbisida bersudut lebar	200 men.
Tegangan yang sesuai		D.C. 18 V	D.C. 18 V

- Karena kesinambungan program penelitian dan pengembangan kami, spesifikasi yang disebutkan di sini dapat berubah tanpa pemberitahuan.
- Spesifikasi dan kartrid baterai dapat berbeda dari satu negara ke negara lainnya.
- Berat, dengan kartrid baterai, menurut Prosedur EPTA 01/2003

Simbol-simbol

END007-1

Berikut ini adalah simbol-simbol yang digunakan pada mesin ini. Pastikan Anda mengerti makna masing-masing simbol sebelum menggunakan mesin ini.



..... Baca petunjuk penggunaan.



..... Jangan gunakan dalam kondisi hujan.



..... Kenakan masker pelindung.



..... Kenakan sarung tangan pelindung.

Maksud penggunaan

ENE071-1

Mesin ini dimaksudkan untuk menyemprotkan bahan kimia pertanian dan perkebunan untuk pengendalian hama dan gulma.

Peringatan Keselamatan Umum Mesin Listrik

GEA006-2



PERINGATAN Bacalah semua peringatan

keselamatan dan semua petunjuk. Kelalaian mematuhi peringatan dan petunjuk dapat menyebabkan sengatan listrik, kebakaran, dan/atau cedera serius.

Simpanlah semua peringatan dan petunjuk untuk acuan di masa mendatang.

Istilah "mesin listrik" dalam semua peringatan mengacu pada mesin listrik yang dijalankan dengan sumber listrik jala-jala (berkabel) atau baterai (nirkabel).

Keselamatan tempat kerja

1. Jagalah tempat kerja selalu bersih dan berpenerangan cukup. Tempat yang berantakan atau gelap mengundang kecelakaan.

2. **Jangan mengoperasikan mesin listrik dalam atmosfer yang mudah meledak, seperti bila ada cairan, gas, atau debu mudah menyala.** Mesin listrik menimbulkan percikan api yang dapat menyalaakan debu atau uap tersebut.
3. **Jauhkan anak-anak dan mereka yang tidak berkepentingan saat mengoperasikan mesin listrik.** Bila perhatian terpecah, Anda dapat kehilangan kendali.

Keamanan Kelistrikan

4. **Steker mesin listrik harus cocok dengan stopkontak.** Gunakan sekali-kali mengubah steker dengan cara apa pun. **Jangan menggunakan steker adaptor dengan mesin listrik berarde (dibumikan).** Steker yang tidak diubah dan stopkontak yang cocok akan mengurangi risiko sengatan listrik.
5. **Hindari sentuhan tubuh dengan permukaan berarde atau yang dibumikan seperti pipa, radiator, kompor, dan kalukas.** Risiko sengatan listrik bertambah jika tubuh Anda terbumikan atau terarde.
6. **Jangan membiarkan mesin listrik kejuhan atau kebasahan.** Air yang masuk ke dalam mesin listrik akan meningkatkan risiko sengatan listrik.
7. **Jangan menyalahgunakan kabel.** **Jangan sekali-kali menggunakan kabel untuk membawa, menarik, atau mencabut mesin listrik dari stopkontak.** **Jauhkan kabel dari panas, minyak, tepian tajam, atau komponen yang bergerak.** Kabel yang rusak atau kusut memperbesar risiko sengatan listrik.
8. **Bila menggunakan mesin listrik di luar ruangan, gunakan kabel ekstensi yang sesuai untuk penggunaan di luar ruangan.** Penggunaan kabel yang sesuai untuk penggunaan luar ruangan mengurangi risiko sengatan listrik.
9. **Jika mengoperasikan mesin listrik di lokasi lembap tidak dapat dihindari, gunakan pasokan daya yang dilindungi piranti pemutus arus kegagalan arde (ground fault interrupter - GFCI).** Penggunaan GFCI mengurangi risiko sengatan listrik.

Keselamatan Diri

10. **Jaga kewaspadaan, perhatikan pekerjaan Anda dan gunakan akal sehat bila menggunakan mesin listrik.** **Jangan menggunakan mesin listrik saat Anda lelah atau di bawah pengaruh obat bius, alkohol, atau obat.** Sekejap saja lalai saat menggunakan mesin listrik dapat menyebabkan cedera diri yang serius.
11. **Gunakan alat pelindung diri. Selalu kenakan pelindung mata.** Peralatan pelindung seperti masker debu, sepatu pengaman anti-selip, helm pengaman, atau pelindung telinga yang digunakan untuk kondisi yang sesuai akan mengurangi risiko cedera.
12. **Cegah penyalaaan yang tidak disengaja.** **Pastikan bahwa sakelar berada dalam posisi mati (off) sebelum menghubungkan mesin ke sumber daya dan/atau baterai, atau mengangkat atau membawa mesin.** Membawa mesin listrik dengan jari Anda pada

sakelarnya atau mengalirkan listrik pada mesin listrik yang sakelarnya hidup (on) akan mengundang kecelakaan.

13. **Lepaskan kunci-kunci penyetel sebelum menghidupkan mesin listrik.** Kunci-kunci yang masih terpasang pada bagian mesin listrik yang berputar dapat menyebabkan cedera.
14. **Jangan meraih terlalu jauh. Pertahankan pijakan dan keseimbangan yang baik setiap saat.** Hal ini memungkinkan kendali yang lebih baik atas mesin listrik dalam situasi yang tidak diharapkan.
15. **Kenakan pakaian yang sesuai. Jangan memakai pakaian yang kedodoran atau perhiasan. Jaga jarak antara rambut, pakaian, dan sarung tangan Anda dengan bagian mesin yang bergerak.** Pakaian kedodoran, perhiasan, atau rambut panjang dapat tersangkut pada bagian yang bergerak.
16. **Jika tersedia fasilitas untuk menghisap dan mengumpulkan debu, pastikan fasilitas tersebut terhubung listrik dan digunakan dengan baik.** Penggunaan pembersih debu dapat mengurangi bahaya yang terkait dengan debu.

Penggunaan dan pemeliharaan mesin listrik

17. **Jangan memaksa mesin listrik. Gunakan mesin listrik yang tepat untuk keperluan Anda.** Mesin listrik yang tepat akan menuntaskan pekerjaan dengan lebih baik dan lebih aman pada kecepatan sesuai rancangannya.
18. **Jangan gunakan mesin listrik jika sakelar tidak dapat menghidupkan atau mematikannya.** Mesin listrik yang tidak dapat dikendalikan dengan sakelarnya adalah berbahaya dan harus diperbaiki.
19. **Cabut steker dari sumber listrik dan/atau baterai dari mesin listrik sebelum melakukan penyetelan, penggantian aksesoris, atau menyimpan mesin listrik.** Langkah keselamatan preventif tersebut mengurangi risiko hidupnya mesin secara tak sengaja.
20. **Simpan mesin listrik jauh dari jangkauan anak-anak dan jangan biarkan orang yang tidak paham akan mesin listrik tersebut atau petunjuk ini menggunakan mesin listrik.** Mesin listrik sangat berbahaya di tangan pengguna yang tak terlatih.
21. **Rawatlah mesin listrik. Periksa apakah ada bagian bergerak yang tidak lurus atau macet, bagian yang pecah dan kondisi lain yang dapat mempengaruhi penggunaan mesin listrik. Jika rusak, perbaiki dahulu mesin listrik sebelum digunakan.** Banyak kecelakaan disebabkan oleh kurangnya pemeliharaan mesin listrik.
22. **Jaga agar mesin pemotong tetap tajam dan bersih.** Mesin pemotong yang terawat baik dengan mata pemotong yang tajam tidak akan mudah macet dan lebih mudah dikendalikan.
23. **Gunakan mesin listrik, aksesoris, dan mata mesin, dll. sesuai dengan petunjuk ini, dengan memperhitungkan kondisi kerja dan jenis pekerjaan yang dilakukan.** Penggunaan mesin listrik untuk tujuan yang lain dari peruntukan dapat menimbulkan situasi berbahaya.

Penggunaan dan pemeliharaan mesin listrik baterai

24. Isi ulang baterai hanya dengan pengisi baterai (charger) yang ditentukan oleh pabrik pembuat mesin. Pengisi baterai yang cocok untuk suatu jenis baterai dapat menimbulkan risiko kebakaran bila digunakan dengan baterai yang lain.
25. Gunakan mesin listrik hanya dengan baterai yang khusus ditentukan untuknya. Penggunaan baterai yang lain dapat menimbulkan risiko cedera dan kebakaran.
26. Bila baterai tidak sedang digunakan, jauhkanlah dari benda logam lain, seperti klip kertas, koin, kunci, paku, skrup, atau benda logam kecil lainnya, yang dapat menjadi penghubung antara terminal-terminalnya. Menghubungsingkatkan terminal-terminal baterai dapat menyebabkan luka bakar atau kebakaran.
27. Bila disalahgunakan, baterai dapat mengeluarkan cairan; hindari terkena cairan ini. Jika terkena cairan ini secara tidak sengaja, bilaslah dengan air. Jika cairan mengenai mata, setelah dibilas, mintalah bantuan medis. Cairan yang keluar dari baterai dapat menyebabkan iritasi atau luka bakar.

SERVIS

28. Berikan mesin listrik untuk diperbaiki/diservis hanya kepada teknisi yang berkualifikasi dengan menggunakan hanya suku cadang pengganti yang serupa. Hal ini akan menjamin terjaganya keamanan mesin listrik.
29. Patuhi petunjuk pelumasan dan penggantian aksesoris.
30. Jagalah agar gagang kering, bersih, dan bebas dari minyak dan gemuk.

KAJIDAH KESELAMATAN KHUSUS

GEB044-3

JANGAN biarkan kenyamanan atau terbiasanya Anda dengan produk (karena penggunaan berulang) menggantikan kepatuhan yang ketat terhadap kaidah keselamatan untuk mesin Semprotan Kebun. Jika Anda menggunakan mesin ini dengan tidak aman atau tidak benar, Anda dapat mengalami cedera serius.

Peringatan Keselamatan untuk Pengoperasian Mesin Semprotan:

1. Jangan gunakan mesin semprotan ini untuk tujuan selain menyemprotkan bahan kimia pertanian dan perkebunan untuk pengendalian hama dan gulma.
2. Mengenai penggunaan semprotan kimia, pastikan untuk dengan lengkap membaca petunjuk bahan kimia yang digunakan, agar dapat memahami sepenuhnya tingkat toksisitas dan metode penggunaannya.
3. Jika bahan kimia mengenai kulit, segera cuci bersih dengan sabun.
4. Tutupkan penutup tangki kimia kuat-kuat untuk mencegah kebocoran.
5. Jangan sekali-kali memindahkan bahan kimia ke wadah lain.

6. Selalu cuci bersih wadah bahan kimia yang kosong saat mencampurkan cairan semprotan dan kemudian ikuti petunjuk pabrik pembuat bahan kimia tersebut untuk membuang wadah tersebut dengan benar.
7. Sebelum menggunakan semprotan, pastikan untuk memeriksa tidak adanya ketidaknormalan pada semprotan seperti paking yang bergeser dari sambungan, sekrup yang kendur, komponen yang hilang, dan/atau slang yang retak/aus/rusak. Menggunakan mesin semprotan yang tidak lengkap dapat mengakibatkan kecelakaan dan/atau cedera.
8. Orang yang tidak terlibat dalam pekerjaan penyemprotan hendaknya tidak mendekati lokasi kerja selama penyemprotan dilakukan.
9. Saat mengangkat mesin penyemprot berisi bahan kimia dengan kendaraan, ada risiko kebocoran, jadi selalu kencangkan tutup tangki kimia kuat-kuat, dan amankan mesin semprotan pada posisi berdiri tegak.
10. Jangan sekali-kali menggunakan bahan-bahan seperti bahan kimia asam kuat, cat, tiner, atau bensin dengan mesin semprotan ini, karena akan timbul bahaya luka bakar atau kebakaran.
11. Pastikan untuk memilih bahan kimia yang sesuai (dengan mempertimbangkan metode penggunaan dan efektivitasnya) untuk mengatasi hama atau gulma yang ada.
12. Bahan kimia yang dicampur dengan tidak tepat dapat membahayakan manusia dan merusak tanaman. Saat mencampur bahan kimia, bacalah dengan lengkap petunjuknya, dan encerkan bahan kimia dengan benar sebelum digunakan.
13. Selalu campur bahan kimia sebelum mengisikannya ke dalam tangki.
14. Untuk mencegah penghirupan dan/atau persentuhan dengan bahan kimia, pastikan untuk mengenakan pakaian pengaman (topi, kacamata pengaman, masker pelindung, sarung tangan karet, jaket lengan panjang pengendali hama, celana panjang, dan sepatu bot karet), sehingga kulit tidak akan terbuka saat melakukan penyemprotan.
15. Selalu isi tangki dengan bahan kimia atau air bersih saat mengoperasikan semprotan, karena mengoperasikan semprotan dengan tangki kosong dapat merusak pompa.
16. Jika semprotan berhenti bekerja, atau mengeluarkan bunyi tidak normal, segera MATIKAN saklarnya, dan hentikan penggunaannya.
17. Selalu perhatikan arah angin saat menyemprot, untuk memastikan bahwa Anda menyemprot dari arah angin datang ke arah angin pergi, untuk mencegah tubuh terkena bahan kimia secara langsung. Juga, berhati-hatilah agar bahan kimia tidak tersebar ke lingkungan sekitar, dan hentikan penggunaan semprotan bila angin bertiup kencang.
18. Karena ada risiko keracunan saat menyemprot dalam rumah kaca, selalu beri ventilasi saat sedang menyemprot.
19. Hindari menyemprot saat suhu atmosfer tinggi.

20. Hindari mengoperasikan semprotan secara berkepanjangan. Sedapat mungkin, rotasikan operator.
21. Jika timbul bahkan sedikit saja rasa sakit kepala atau pusing, dll., hentikan pekerjaan penyemprotan segera, dan hubungi dokter. Lebih jauh, pastikan untuk memberitahukan dengan jelas kepada dokter nama bahan agrokimia yang digunakan, dan kondisi penggunaannya.
22. Apabila aliran semprotan melemah dan nozel perlu dibersihkan, akan timbul risiko cairan kimia mengenai wajah, jadi pastikan untuk MEMATIKAN saklar semprotan, kemudian lepaskan nozelnya untuk dibersihkan.
23. Pastikan untuk membuang air limbah bekas pencucian wadah bekas bahan kimia dan tangki kimia dengan benar di lokasi yang tidak akan membuatnya mengalir masuk ke sungai dan kali dan/atau mencemari air tanah.
24. Setelah menyemprot, bahan kimia yang masih tersisa di dalam tangki kimia, slang semprotan, pipa dan nozel semprotan, jika ada, dapat menimbulkan cedera semprotan. Pastikan untuk mencuci bersih sepenuhnya sisa bahan kimia dengan air bersih - khususnya, setelah menyemprotkan herbisida.
25. Jauhkan bahan agrokimia dari jangkauan anak-anak. Pastikan untuk menyimpan sisa bahan kimia dalam wadah khusus untuk penyimpanan bahan kimia.
26. Setelah selesai melakukan penyemprotan, pastikan untuk mencuci (cuci semprot) peralatan dengan air bersih, membuang air cucianya, dan menyimpannya di dalam ruangan yang tidak terkena sinar matahari langsung dan suhu beku, dan jauh dari jangkauan anak-anak.
27. Setelah selesai melakukan penyemprotan, pastikan untuk mencuci bersih seluruh tubuh dengan sabun, membas mata, dan berkumur. Selama masa penyemprotan, gantilah pakaian setiap hari.

⚠ PERINGATAN:
PENYALAHGUNAAN atau kelalaian mematuhi kaidah keselamatan yang tertera dalam petunjuk ini dapat menyebabkan cedera badan serius.

SIMPAN PETUNJUK INI.

PETUNJUK KESELAMATAN PENTING

ENC007-4

UNTUK KARTRID BATERAI

1. Sebelum menggunakan kartrid baterai, bacalah semua petunjuk dan tanda peringatan pada (1) pengisi baterai, (2) baterai, dan (3) produk yang menggunakan baterai.
2. Jangan membongkar kartrid baterai.
3. Jika waktu pengoperasian telah menjadi terlalu singkat, segera hentikan pengoperasian. Keadaan tersebut dapat berisiko menimbulkan panas berlebihan, kemungkinan luka bakar, dan bahkan ledakan.

4. Jika ada elektrolit yang masuk ke mata, bilaslah bersih-bersih dengan air bersih dan segera cari bantuan medis. Hal itu dapat mengakibatkan hilangnya penglihatan.
5. Jangan menghubsungkan kartrid baterai:
 - (1) Jangan menyentuh terminal-terminalnya dengan bahan konduktif.
 - (2) Hindari menyimpan kartrid baterai dalam wadah bersama dengan benda logam lainnya seperti paku, koin, dll.
 - (3) Jangan biarkan kartrid baterai terkena air atau hujan. Hubungan singkat baterai dapat menyebabkan aliran arus yang besar, panas berlebihan, kemungkinan luka bakar, dan bahkan kerusakan permanen.
6. Jangan menyimpan mesin ini dan kartrid baterai di tempat yang suhunya dapat mencapai atau melebihi 50°C (122°F).
7. Jangan membakar kartrid baterai bahkan meskipun kartrid sudah rusak parah atau benar-benar rusak. Kartrid baterai dapat meledak di dalam api.
8. Berhati-hatilah agar baterai tidak sampai terjatuh atau terpukul.
9. Jangan menggunakan baterai yang pernah jatuh atau terpukul.

SIMPAN PETUNJUK INI.

Kiat untuk mempertahankan usia pakai baterai maksimum

1. Isilah kembali kartrid baterai sebelum baterai sepenuhnya habis. Selalu hentikan pengoperasian mesin dan isi kartrid baterai saat Anda merasakan bahwa tenaga mesin telah berkurang.
2. Jangan sekali-kali mengisi ulang kartrid baterai yang telah terisi penuh. Mengisi baterai terlalu banyak akan memperpendek usia pakai baterai.
3. Isilah kartrid baterai pada suhu ruangan antara 10°C - 40°C (50°F - 104°F). Biarkan kartrid baterai yang panas mendingin lebih dahulu sebelum mengisinya.

DESKRIPSI FUNGSIONAL

⚠ PERHATIAN:

- Selalu pastikan bahwa mesin dalam keadaan mati dan kartrid baterainya telah dilepas sebelum menyetel atau memeriksa fungsi mesin.

Memasang atau melepaskan kartrid baterai (Gb. 1)

- Buka penutup wadah baterai Semprotan.
- Selalu matikan mesin sebelum memasukkan atau mengeluarkan kartrid baterai.
- Untuk mengeluarkan kartrid baterai, tariklah kartrid dari mesin sambil menggeser tombol pada bagian depan kartrid.
- Untuk memasukkan kartrid baterai, luruskan lidah pada kartrid baterai dengan alur pada rumah mesin dan

- dorong masuk kartrid ke tempatnya. Selalu masukkan adaptor sepenuhnya sampai terkunci di tempatnya yang ditandai suara klik. Jika Anda dapat melihat bagian merah di sisi atas tombol, berarti baterai belum terkunci sepenuhnya. Masukkanlah sepenuhnya sampai bagian warna merah tidak terlihat. Jika tidak, komponen ini dapat terlepas dan jatuh dari mesin, sehingga menyebabkan cedera pada Anda atau orang lain di sekitar Anda.
- Jangan mendorong paksa kartrid baterai saat memasukkannya. Jika kartrid tidak dapat terdorong masuk dengan mudah, berarti posisi memasukkannya belum tepat.

PERAKITAN

⚠ PERHATIAN:

- Selalu pastikan bahwa mesin dalam keadaan mati dan kartrid baterainya dilepas sebelum melakukan pekerjaan apa pun pada mesin.

Metode perakitan pipa dan nozel semprotan (Gb. 2)

- Seperti diperlihatkan dalam diagram, rangkaikan pipa dan lalu nozel semprotan pada kokang tuas.
- Setel arah nozel dengan menggunakan mur pada pipa semprotan.
- Pasang kuat-kuat semua komponen untuk memastikan tidak ada kebocoran yang terjadi.
- Pilih nozel sesuai dengan jenis penyemprotan yang akan dilakukan.

CATATAN:

- Semua unit penyambung menggunakan paking. Sebelum merakit, selalu periksa untuk memastikan bahwa unit-unit ini dilengkapi paking.
- Periksa untuk memastikan bahwa slang semprotan tidak retak, aus, dan/atau rusak.
- Kencangkan kuat-kuat pipa semprotan untuk mencegah kebocoran cairan.
- Jika ada kebocoran dari unit penyambung, kencangkan lebih kuat lagi menggunakan alat tangan (sejauh sekitar 45 derajat).
- Jangan gunakan pipa semprotan yang lebih panjang daripada pipa standar yang disediakan. Melakukan hal itu dapat menyebabkan kebocoran dari unit penyambung.

Metode pemasangan tali punggung (Gb. 3)

Gunakan penunjuk diagram untuk memasang tali punggung pada bagian atas dan bawah, sambil memastikan tidak ada bagian yang melintir pada tali.

CATATAN:

- Periksa untuk memastikan bahwa tali punggung terpasang kuat pada tangki kimia.

PENGOPERASIAN

⚠ PERHATIAN:

- Sebelum memasukkan kartrid baterai ke dalam mesin, selalu periksa untuk memastikan bahwa mesin dalam keadaan dimatikan.

Penyemprotan

⚠ PERHATIAN:

- Untuk mencegah terjadinya penyemprotan tiba-tiba, pastikan untuk menyetel kokang tuas ke STOP, sebelum MENGHIDUPKAN atau MEMATIKAN saklar.
- Bila pekerjaan penyemprotan terpotong, pastikan untuk MEMATIKAN saklar mesin guna menghindari terjadinya penyemprotan yang tidak disengaja. (Gb. 4)

Pastikan untuk memeriksa situasi di lingkungan sekitar sebelum MENGHIDUPKAN saklar mesin semprotan.

Operasikan kokang tuas untuk menyemprot.

Begitu penyemprotan selesai, segera setel kokang tuas ke STOP, dan kemudian MATIKAN saklar mesin semprotan.

Cara menggunakan kokang tuas (Gb. 5)

- Posisi "A" adalah posisi STOP (berhenti).
- Posisi "B" adalah posisi menyemprot. Lepaskan tuas, dan tuas akan kembali ke posisi "A" dan penyemprotan akan berhenti. (Penyemprotan terputus-putus)
- Posisi "C" adalah posisi menyemprot terus-menerus. (Penyemprotan terus-menerus)

CATATAN:

- Periksa untuk memastikan bahwa tangki terisi dengan bahan kimia atau air bersih saat mengoperasikan semprotan, karena mengoperasikan semprotan secara terus-menerus dengan tangki kosong dapat membuat pompa terbakar.
- Menjalankan semprotan untuk jangka waktu lama dengan kokang tuas tertutup dapat menimbulkan dampak negatif pada pompa di samping menghabiskan baterai mesin. Pastikan untuk MEMATIKAN saklar semprotan setiap saat keadaan memungkinkan.
- Jika semprotan tersendat-sendat, atau pompa tiba-tiba berkericit, berarti tangki kimia kosong, jadi segeralah MATIKAN saklar semprotan.
- Jangan melakukan penyemprotan dengan tutup baterai terbuka dan/atau bantalan penopang punggung dilepas, karena akan timbul risiko kerusakan pada sistem kelistrikan. Lebih dari itu, jangan arahkan nozel semprotan ke mesin semprotan dan menyemprotnya.
- Jangan secara paksa menangani kokang tuas dan/atau pipa semprotan.

Mencampur bahan kimia

⚠ PERHATIAN:

- Jangan sekali-kali menggunakan Kelthane berbentuk bubuk terdispersi air (akarisida) karena akan cenderung mengeras akibat panas yang ditimbulkan oleh pompa saat pompa bekerja, yang kemudian akan menyebabkan pompa berhenti. Gunakanlah emulsi Kelthane, emulsi Akar, atau bubuk terdispersi air Osadan sebagai akarisida.
- Bila menggunakan bubuk terdispersi air atau sulfur kapur, pastikan untuk melarutkannya dengan baik sebelum menggunakannya.
- Bekerjalah dengan kehati-hatian maksimum saat menangani bahan kimia. Cuci bersih sepenuhnya jika bahan kimia mengenai tubuh.

- Bahan kimia adalah bahan berbahaya. Selalu patuhi petunjuk dari pabrik pembuat bahan kimia saat menangani bahan kimia.
- Lihat bagan di bawah ini untuk mengetahui informasi rasio yang berguna saat mengencerkan bahan kimia.
- Bila menggunakan bubuk terdispersi air, dll., larutkanlah baik-baik dalam wadah seperti ember.

Air \ Bahan Kimia	Rasio pengenceran		
	500	1.000	2.000
4 L	8 mL	4 mL	2 mL
6 L	12 mL	6 mL	3 mL
8 L	16 mL	8 mL	4 mL
10 L	20 mL	10 mL	5 mL
12 L	24 mL	12 mL	6 mL
15 L	30 mL	15 mL	7,5 mL

Pengisian kembali bahan kimia

⚠️ PERINGATAN:

- Saat mengganti bahan kimia, pastikan untuk dengan teliti mencuci tangki, pompa, dan nozel, dll. dengan air bersih. Sisa bahan kimia sebelumnya dapat menyebabkan cedera semprotan. Lebih dari itu, jika bahan kimia bercampur, dapat terjadi perubahan kimiawi, yang dapat menimbulkan bahaya timbulnya gas beracun.
- Pastikan untuk mengenakan sarung tangan pelindung.
- Jangan mengganti bahan kimia di ruangan yang berventilasi kurang. (mencegah keracunan oleh bahan kimia)

Periksa untuk memastikan bahwa semprotan telah DIMATIKAN saklarnya dan isi kembali tangki kimia dengan bahan kimia yang telah dicampur.

Saat mengisi tangki dengan bahan kimia, selalu saring bahan kimia dengan saringan tangki yang disertakan. Pada bagian samping tangki kimia tertera pembagian skala, jadi pastikan untuk menggunakannya sebagai panduan pengoperasian.

Kencangkan tutup tangki kimia kuat-kuat untuk mencegah kebocoran.

Penyetelan tali punggung

Setel tali punggung hingga panjang yang akan membuat mesin semprotan sedekat mungkin dengan tubuh, tapi tetap nyaman.

Memperpanjang tali

- (1) Angkat gesper.
- (2) Tarik sabuk pada sisi yang terhubung ke mesin semprotan. (Gb. 6)

Memperpendek tali

Tarik sabuk pada sisi yang bebas. (Gb. 7)

CATATAN:

Saat memperpendek tali, tali akan bergerak dengan relatif mudah jika tidak ada beban yang memberati pada tali.

PEMELIHARAAN

⚠️ PERHATIAN:

- Selalu pastikan bahwa mesin dalam keadaan mati dan kartrid baterainya dilepas sebelum mencoba melakukan pemeriksaan atau pemeliharaan.
- Untuk pekerjaan pemeriksaan dan pemeliharaan, selalu kenakan sarung tangan pelindung.

Pemeliharaan setelah penggunaan

- Setelah digunakan, bersihkan sisa cairan dari tangki kimia, dan cuci bersih bahan kimia yang masih menempel dari bagian dalam tangki dengan air bersih.
- Sekarang isilah tangki kimia dengan air bersih dan jalankan mesin semprotan selama 2 sampai 3 menit untuk mencuci bersih sisa bahan kimia dari pompa, slang, dan nozel, dll.
- Bersihkan sisa cairan dari bagian dalam tangki kimia, hidupkan kembali pompa, dan jalankan mesin semprotan sampai sisa cairan berhenti keluar dari nozel, dan kemudian MATIKAN saklar mesin.
- Lap bersih cairan dan kotoran dari alat, dan kemudian periksa dari adanya kerusakan dan kebocoran.

Pemeriksaan harian

- Sebelum bekerja, periksa untuk memastikan apakah unit-unit yang dipasangkan ada yang telah menjadi kendur dan apakah ada komponen yang hilang.
- Periksa untuk memastikan bahwa slang semprotan tidak retak, aus, dan/atau rusak.
- Setelah menggunakan, selalu pastikan untuk mengelap bersih kotoran dari bagian luar, dan untuk memeriksa mesin dari kerusakan dan/atau kebocoran.

Membersihkan saringan penyerapan air (Gb. 8)

Setelah mengeluarkan bahan kimia dari tangki, lepaskan saringan penyerapan air di bagian bawah tangki, dan bersihkan.

Membersihkan saringan kokang tuas (Gb. 9)

Lepaskan tutup kokang tuas dan bersihkan saringan.

CATATAN:

Saringan penyerapan air

- Ini adalah filter yang digunakan untuk mencegah masuknya kotoran dan debu (yang karena sesuatu hal telah lolos dari saringan tangki dan masuk ke dalam tangki) ke dalam pompa. Jika saringan penyerapan air telah tersumbat, penyemprotan akan melemah, dan ada risiko pompa terkena dampak buruk.

Saringan kokang tuas

- Penyemprotan akan melemah jika saringan kokang tuas tersumbat.

Penyimpanan mesin semprotan

- Cuci alat dengan menggunakan prosedur pemeliharaan pasca-penggunaan.
- Khususnya, bila akan menyimpan alat selama musim dingin, kerusakan total atau sebagian dapat terjadi akibat pembekuan sisa bahan kimia dan/atau air cucian di dalam pompa. Jalankan pompa sampai semua sisa cairan keluar dari nozel, periksa untuk memastikan bahwa tidak ada lagi sisa cairan,

MATIKAN saklar mesin semprotan, dan kemudian simpan mesin baik-baik.

⚠ PERHATIAN:

Simpan Mesin Semprotan di tempat yang tidak dapat dijangkau anak-anak, di dalam ruangan yang tidak akan membeku, tidak terkena sinar matahari langsung, dan memiliki ventilasi yang baik.

- Simpanlah mesin semprotan dengan hati-hati karena dalam beberapa keadaan, komponen plastik akan berubah bentuk jika dibiarkan terkena sinar matahari langsung untuk jangka waktu lama; lebih dari itu, label perhatian produk akan memudar warnanya dan/atau terlepas.

Kiat-kiat Berguna

Penahan pipa semprotan

Pastikan untuk memasang penahan dengan arah yang benar. **(Gb. 10)**

CATATAN:

- Untuk alasan konfigurasi, proses pemasangannya membutuhkan tenaga, tetapi juga kehati-hatian agar pipa semprotan tidak bengkok.

Gunakan penahan saat beristirahat, mengisi kembali cairan kimia, dan saat mesin disimpan, dll. **(Gb. 11)**

Hanya untuk Model BVF154 (Gb. 12)

Pancang kecil penahan tangki kimia (Gb.13)

Pancang kecil penahan juga berfungsi sebagai penahan sementara untuk tutup tangki kimia, jadi kaitkanlah tutup pada tonggak ini.

Saringan tangki

Tangan dapat dibebaskan dengan memasukkan slang air ke dalam bagian bertakik yang berguna pada saringan tangki. **(Gb. 14)**

Penyakit dan hama tanaman utama

Selalu patuhi petunjuk dari pabrik pembuat bahan kimia saat menangani bahan kimia. Larutkan sepenuhnya bahan kimia sebelum menggunakannya.

Apa yang harus dilakukan jika mesin berhenti bekerja

Sebelum meminta perbaikan, pertama, lakukanlah pemeriksaan sendiri. Jika Anda menemukan masalah yang tidak dijelaskan di dalam buku petunjuk, jangan tergesa-gesa membongkar mesin semprotan ini. Sebaliknya, mintalah bantuan Pusat Servis Resmi Makita, dengan selalu menggunakan suku cadang Makita.

Status malfungsi		Penyebab	Tindakan
Motor (pompa) tidak mau bekerja	MATIKAN saklar	Saklar telah DIMATIKAN	HIDUPKAN saklar
	Saklar telah DIHIDUPKAN	Masalah baterai (tegangan kurang)	Isi kembali Jika pengisian baterai tidak mengatasi masalah, ganti baterai.
		Sambungan pengawatan terlepas	Minta servis pembongkaran total (overhaul)
		Pengawatan putus	Minta servis pembongkaran total (overhaul)
		Kerusakan saklar	Minta servis pembongkaran total (overhaul)
		Kerusakan motor	Minta servis pembongkaran total (overhaul)
		Sekering putus	Minta servis pembongkaran total (overhaul)
Pompa bekerja tetapi aliran semprotan tidak keluar	Nozel tersumbat	Bersihkan atau ganti	
	Tidak ada cairan di dalam tangki kimia	Isi kembali	
	Lubang udara pada tutup tangki kimia tersumbat	Bersihkan	
	Perpipaan tersumbat	Minta servis pembongkaran total (overhaul)	
	Perpipaan rusak atau retak	Minta servis pembongkaran total (overhaul)	
	Perpipaan terlepas atau putus	Minta servis pembongkaran total (overhaul)	
	Saringan penyerapan air tersumbat	Lepaskan dan bersihkan	

Status malfungsi	Penyebab	Tindakan
Mesin mengeluarkan semprotan tetapi tidak normal atau tekanan semprotan lemah	Lubang udara pada tutup tangki kimia tersumbat	Bersihkan
	Perpipaan tersumbat	Minta servis pembongkaran total (overhaul)
	Perpipaan rusak atau retak	Minta servis pembongkaran total (overhaul)
	Perpipaan terlepas atau putus	Minta servis pembongkaran total (overhaul)
	Saringan penyerapan air tersumbat	Lepaskan dan bersihkan
	Saringan kokang tuas tersumbat	Lepaskan dan bersihkan
	Regulator tekanan tidak normal	Minta servis pembongkaran total (overhaul)
	Rumah gir aus	Minta servis pembongkaran total (overhaul)
Keluar suara aneh saat saklar DIHIDUPKAN	Kopling yang menggerakkan pompa rusak	Minta servis pembongkaran total (overhaul)
	Nozel tersumbat	Bersihkan atau ganti
Bila mesin semprotan dibiarkan setelah saklarnya DIMATIKAN, sejumlah besar cairan mengalir keluar dari nozel	Kokang tuas disetel ke penyemprotan terus-menerus	Setel kokang tuas ke STOP

Demi menjaga KEAMANAN dan KEHANDALAN produk, serahkan perbaikan, pemeliharaan atau penyetelan lainnya kepada Pusat Servis Resmi Makita, dengan selalu menggunakan suku cadang pengganti Makita.

AKSESORI

PERHATIAN:

- Aksesori atau alat-alat tambahan ini dianjurkan untuk digunakan bersama mesin Makita Anda yang disebutkan dalam buku petunjuk ini. Penggunaan aksesori atau alat tambahan lain dapat memunculkan risiko cedera. Gunakanlah aksesori atau alat tambahan hanya untuk tujuan aslinya.

Jika Anda membutuhkan bantuan perihal informasi lebih terperinci mengenai aksesori-aksesori ini, tanyakan kepada Pusat Servis Makita setempat.

- Berbagai macam nozel
- Berbagai jenis baterai dan pengisi baterai asli Makita

TIẾNG VIỆT (Hướng dẫn gốc)

Giải thích về hình vẽ tổng thể

1. Nút
2. Phần màu đỏ
3. Hộp pin
4. Nắp hộp pin
5. Ống xịt
6. Khoá cân
7. Vòi thoát khí
8. Luồn một phần dây đeo lưng qua khe hở trên máy xịt.
9. Móc vào các móc của dây đeo lưng
10. Công tắc
11. Khoá
12. Nhắc khoá lên
13. Kéo
14. Bộ lọc hấp thụ nước
15. Nắp khoá cân
16. Bộ lọc
17. Vòng kẹp ống xịt
18. Móc vòng kẹp vào thanh trụ trên vai của bình chứa
19. Móc vòng kẹp vào vòng kim loại của dây đeo lưng
20. Lắp ống nước vào dây

THÔNG SỐ KỸ THUẬT

Kiểu máy		BVF104	BVF154
Loại bơm		Bơm bánh răng bằng sứ	
Dung tích bình chứa hoá chất		10 L	15 L
Lỗ xả bình chứa		Không có	Có
Van xịt		Cần nắm tích hợp	
Kích thước (R X D X C)		315 mm x 225 mm x 415 mm	345 mm x 235 mm x 525 mm
Trọng lượng tịnh		3,8 kg	4,1 kg
Hiệu suất	Áp suất tối đa		0,3 Mpa
	Lưu lượng	Vòi hai đầu vuông góc	0,8 L / phút
		Vòi xịt thuốc diệt cỏ góc rộng	1,3 L / phút
	Thời gian hoạt động liên tục	Vòi hai đầu vuông góc	125 phút
Vòi xịt thuốc diệt cỏ góc rộng		200 phút	
Điện áp định mức		Dòng một chiều: 18 V	Dòng một chiều: 18 V

- Do chương trình nghiên cứu và phát triển liên tục của chúng tôi nên các thông số kỹ thuật trong tài liệu này có thể thay đổi mà không cần thông báo.
- Các thông số kỹ thuật và hộp pin ở mỗi quốc gia có thể khác nhau.
- Trọng lượng, có hộp pin, theo quy định EPTA-Procedure 01/2003

Ký hiệu ENE007-1

Phần dưới đây cho biết các ký hiệu được dùng cho thiết bị. Đảm bảo rằng bạn hiểu ý nghĩa của các ký hiệu này trước khi sử dụng.



..... Đọc tài liệu hướng dẫn.



..... Không sử dụng khi trời mưa.



..... Đeo mặt nạ bảo hộ.



..... Đeo găng tay bảo hộ.

Mục đích sử dụng ENE071-1

Dụng cụ được sử dụng để xịt các hoá chất dùng trong nông nghiệp và làm vườn nhằm hạn chế cỏ dại và sâu bệnh.

Cảnh báo An toàn Chung dành cho Dụng cụ Máy GEA006-2

⚠ CẢNH BÁO Đọc tất cả cảnh báo an toàn cũng như tất cả hướng dẫn. Việc không tuân theo các cảnh báo và hướng dẫn có thể dẫn đến điện giật, hỏa hoạn và/hoặc thương tích nghiêm trọng.

Lưu giữ tất cả cảnh báo và hướng dẫn để tham khảo sau này.

Thuật ngữ “dụng cụ máy” trong các cảnh báo để cập đến dụng cụ máy (có dây) được vận hành bằng điện hoặc dụng cụ máy (không dây) được vận hành bằng pin.

An toàn tại nơi làm việc

1. **Giữ nơi làm việc sạch sẽ và có đủ ánh sáng.** Nơi làm việc bừa bộn hoặc tối có thể dẫn đến tai nạn.
2. **Không vận hành dụng cụ máy trong môi trường cháy nổ, ví dụ như môi trường có sự hiện diện của các chất lỏng, khí hoặc bụi dễ cháy.** Các

dụng cụ máy tạo ra tia lửa điện có thể làm bụi hoặc khí bốc cháy.

3. **Giữ trẻ em và người ngoài tránh xa nơi làm việc khi đang vận hành dụng cụ máy.** Sự sao lãng có thể khiến bạn mất khả năng kiểm soát.

An toàn về Điện

4. **Phích cắm của dụng cụ máy phải khớp với ổ cắm. Không bao giờ được sửa đổi phích cắm theo bất kỳ cách nào. Không sử dụng bất kỳ phích điều hợp nào với các dụng cụ máy được nối đất (tiếp đất).** Các phích cắm còn nguyên vẹn và ổ cắm phù hợp sẽ giảm nguy cơ điện giật.
5. **Tránh để cơ thể tiếp xúc với các bề mặt nổi đất hoặc tiếp đất như đường ống, bộ tản nhiệt, bếp ga và tủ lạnh.** Nguy cơ bị điện giật sẽ tăng lên nếu cơ thể bạn được nối đất hoặc tiếp đất.
6. **Không để dụng cụ máy tiếp xúc với mưa hoặc trong điều kiện ẩm ướt.** Nước chảy vào dụng cụ máy sẽ làm tăng nguy cơ điện giật.
7. **Không sử dụng dây sai cách. Không bao giờ sử dụng dây để mang, kéo hoặc tháo phích cắm dụng cụ máy. Giữ dây tránh xa nguồn nhiệt, dầu, các mép sắc hoặc các bộ phận chuyển động.** Dây bị hỏng hoặc bị rối sẽ làm tăng nguy cơ điện giật.
8. **Khi vận hành dụng cụ máy ngoài trời, hãy sử dụng dây kéo dài phù hợp cho việc sử dụng dụng cụ ngoài trời.** Việc dùng dây phù hợp cho việc sử dụng ngoài trời sẽ giảm nguy cơ điện giật.
9. **Nếu bắt buộc phải vận hành dụng cụ máy ở nơi ẩm ướt, hãy sử dụng nguồn cấp điện được bảo vệ bằng thiết bị ngắt mạch rò điện (GFCI).** Sử dụng GFCI sẽ giảm nguy cơ điện giật.

An toàn Cá nhân

10. **Luôn tỉnh táo, quan sát những việc bạn đang làm và sử dụng những phán đoán theo kinh nghiệm khi vận hành dụng cụ máy. Không sử dụng dụng cụ máy khi bạn đang mệt mỏi hoặc chịu ảnh hưởng của ma túy, chất cồn hay thuốc.** Chỉ một khoảnh khắc không tập trung khi đang vận hành dụng cụ máy cũng có thể dẫn đến thương tích cá nhân nghiêm trọng.
11. **Sử dụng thiết bị bảo hộ cá nhân. Luôn đeo thiết bị bảo vệ mắt.** Các thiết bị bảo hộ như mặt nạ chống bụi, giày an toàn không trượt, mũ bảo hộ hay thiết bị bảo vệ thính giác được sử dụng trong các điều kiện thích hợp sẽ giúp giảm thương tích cá nhân.
12. **Tránh khởi động vô tình dụng cụ máy. Đảm bảo công tắc ở vị trí off (tắt) trước khi nối nguồn điện và/hoặc bộ pin, cắm hoặc mang dụng cụ máy.** Việc mang dụng cụ máy khi đang đặt ngón tay ở vị trí công tắc hoặc cấp điện cho dụng cụ máy khi công tắc đang ở vị trí bật có thể dẫn đến tai nạn.
13. **Tháo mọi khoá hoặc cờ lê điều chỉnh trước khi bật dụng cụ máy.** Việc cờ lê hoặc khoá vẫn còn gắn vào bộ phận quay của dụng cụ máy có thể dẫn đến thương tích cá nhân.
14. **Không với quá cao. Luôn giữ thăng bằng tốt và có chỗ để chân phù hợp.** Điều này cho phép điều

kiển dụng cụ máy tốt hơn trong những tình huống bất ngờ.

15. **Ăn mặc phù hợp. Không mặc quần áo rộng hay đeo đồ trang sức. Giữ tóc, quần áo và gang tay tránh xa các bộ phận chuyển động.** Quần áo rộng, đồ trang sức hay tóc dài có thể mắc vào các bộ phận chuyển động.
16. **Nếu thiết bị được cung cấp kèm theo các bộ phận để nối thiết bị hút và gom bụi, hãy đảm bảo chúng được kết nối và sử dụng đúng cách.** Sử dụng thiết bị gom bụi có thể làm giảm những mối nguy hiểm liên quan đến bụi.

Sử dụng và bảo quản dụng cụ máy

17. **Không ép buộc dụng cụ máy. Sử dụng dụng cụ máy cho công việc của bạn.** Sử dụng đúng dụng cụ máy sẽ giúp thực hiện công việc tốt hơn và an toàn hơn theo giá trị định mức được thiết kế của dụng cụ máy đó.
18. **Không sử dụng dụng cụ máy nếu công tắc không bật và tắt được dụng cụ máy đó.** Mọi dụng cụ máy không thể điều khiển được bằng công tắc đều rất nguy hiểm và cần được sửa chữa.
19. **Rút phích cắm ra khỏi nguồn điện và/hoặc tháo bộ pin khỏi dụng cụ máy trước khi thực hiện bất kỳ công việc điều chỉnh, thay đổi phụ tùng hay cất giữ dụng cụ máy nào.** Những biện pháp an toàn phòng ngừa này sẽ giảm nguy cơ khởi động vô tình dụng cụ máy.
20. **Cất giữ các dụng cụ máy không sử dụng ngoài tầm với của trẻ em và không cho bất kỳ người nào không có hiểu biết về dụng cụ máy hoặc các hướng dẫn này vận hành dụng cụ máy.** Dụng cụ máy sẽ rất nguy hiểm nếu được sử dụng bởi những người dùng chưa qua đào tạo.
21. **Bảo dưỡng dụng cụ máy. Kiểm tra tình trạng lệch trục hoặc bó kẹt của các bộ phận động, hiện tượng nứt vỡ của các bộ phận và mọi tình trạng khác mà có thể ảnh hưởng đến hoạt động của dụng cụ máy. Nếu có hỏng hóc, hãy sửa chữa dụng cụ máy trước khi sử dụng.** Nhiều tai nạn xảy ra là do không bảo quản tốt dụng cụ máy.
22. **Luôn giữ cho dụng cụ cất được sắc và sạch.** Những dụng cụ cất được bảo dưỡng đúng cách có lưỡi cắt sắc sẽ ít bị kẹt hơn và dễ điều khiển hơn.
23. **Sử dụng dụng cụ máy, phụ tùng và đầu dụng cụ cất, v.v... theo các hướng dẫn này, có tính đến điều kiện làm việc và công việc được thực hiện.** Việc sử dụng dụng cụ máy cho các công việc khác với công việc dự định có thể gây nguy hiểm.

Sử dụng và bảo quản dụng cụ dùng pin

24. **Chỉ sạc lại bằng bộ sạc được nhà sản xuất chỉ định.** Bộ sạc thích hợp cho một loại bộ pin có thể gây rủi ro cháy khi được sử dụng với bộ pin khác.
25. **Chỉ sử dụng dụng cụ máy với các bộ pin được chỉ định cụ thể.** Sử dụng bất kỳ bộ pin nào khác cũng có nguy cơ gây ra chấn thương hoặc cháy.
26. **Khi không sử dụng bộ pin, hãy cất giữ bộ pin cách xa các vật kim loại khác, như ghim kẹp giấy, tiền xu, chìa khoá, đinh, đai ốc hoặc các vật kim loại nhỏ khác, là những vật có thể trở**

thành vật kết nối một cục với cục kia. Chập các cục pin vào nhau có thể gây bỏng hoặc cháy.

27. Trong các trường hợp sử dụng sai mục đích, pin có thể tiết ra chất lỏng; hãy tránh tiếp xúc. Nếu bạn vô tình tiếp xúc với chất lỏng này, hãy rửa sạch bằng nước. Nếu chất lỏng này tiếp xúc với mắt, bạn phải tìm thêm sự trợ giúp về y tế. Chất lỏng tiết ra từ pin có thể gây rát hoặc bỏng.

BẢO TRÌ

28. Để nhân viên sửa chữa đủ trình độ bảo dưỡng dụng cụ máy của bạn và chỉ sử dụng các bộ phận thay thế đồng nhất. Việc này sẽ đảm bảo duy trì được độ an toàn của dụng cụ máy.
29. Tuân theo hướng dẫn dành cho việc bôi trơn và thay phụ tùng.
30. Giữ tay cầm khô, sạch, không dính dầu và mỡ.

QUY ĐỊNH CỤ THỂ VỀ AN TOÀN

GEB044-3

KHÔNG được để sự thoải mái hay quen thuộc với sản phẩm (có được do sử dụng nhiều lần) thay thế việc tuân thủ nghiêm ngặt các quy định về an toàn dành cho Máy Xịt Vườn. Nếu sử dụng dụng cụ này không an toàn hoặc không đúng cách, bạn có thể phải chịu thương tích cá nhân nghiêm trọng.

Cảnh báo An toàn cho Thao tác Xịt:

1. Không sử dụng máy xịt cho bất kỳ mục đích nào khác ngoài việc xịt các hoá chất dùng trong nông nghiệp và làm vườn nhằm hạn chế cỏ dại và sâu bệnh.
2. Về việc sử dụng các hoá chất cần xịt, hãy đảm bảo đọc kỹ các hướng dẫn về hoá chất để nắm rõ về độc tính cũng như phương pháp sử dụng.
3. Nếu hoá chất dính vào da, ngay lập tức rửa thật kỹ bằng xà phòng.
4. Đóng chặt nắp bình chứa hoá chất để ngăn rò rỉ.
5. Không bao giờ được chuyển hoá chất sang một thùng chứa khác.
6. Luôn rửa thật kỹ các thùng chứa hoá chất rỗng khi pha trộn hoá chất dùng để xịt, sau đó làm theo hướng dẫn của nhà sản xuất hoá chất để thải bỏ bình chứa đúng cách vào mọi lúc.
7. Trước khi sử dụng máy xịt, hãy nhớ kiểm tra để đảm bảo không có gì bất thường, chẳng hạn như vòng đệm kín bị di chuyển khỏi đầu nối, các vít bị lỏng, thiếu các bộ phận và/hoặc ống bị nứt/mòn/hư hỏng.
Việc sử dụng máy xịt không đầy đủ các bộ phận có thể gây ra tai nạn và/hoặc thương tích.
8. Những người không tham gia vào công việc xịt không nên đến gần khu vực xịt trong suốt quá trình xịt.
9. Khi dùng xe để vận chuyển máy xịt có chứa hoá chất, nguy cơ rò rỉ hoá chất có thể xảy ra, vì vậy, hãy luôn vận chuyển nắp bình chứa hoá chất và có định máy xịt ở tư thế thẳng đứng.
10. Không bao giờ được sử dụng những dung dịch như hoá chất có độ axit đậm đặc, sơn, chất để pha loãng, xăng hoặc benzen cùng với máy xịt vì có nguy cơ xảy ra bỏng hoặc hoá hoạn.
11. Hãy đảm bảo chọn hoá chất phù hợp (xem xét phương pháp sử dụng và tính hiệu quả) để diệt sâu bệnh hoặc cỏ dại.
12. Một loại hoá chất được pha trộn không phù hợp có thể gây hại cho con người cũng như phá hoại mùa màng/cây cối. Khi pha trộn hoá chất, hãy đọc kỹ các hướng dẫn về hoá chất và pha loãng hoá chất một cách chính xác trước khi sử dụng.
13. Luôn pha trộn hoá chất trước khi đổ hoá chất vào bình chứa.
14. Để ngăn việc hít phải và/hoặc bị dính hoá chất, hãy nhớ mặc quần áo bảo hộ (mũ, kính bảo hộ, mặt nạ bảo hộ, găng tay cao su, áo khoác chống côn trùng dài tay, quần dài và ủng cao su), để che da khi xịt hoá chất.
15. Luôn đổ hoá chất hoặc nước sạch vào bình chứa khi sử dụng máy xịt vì sử dụng máy xịt khi bình chứa rỗng có thể làm hư hại máy bơm.
16. Nếu máy xịt ngừng chạy hoặc phát ra tiếng động bất thường, hãy TẮT máy xịt ngay lập tức và ngừng sử dụng.
17. Luôn nhận biết hướng gió trong khi xịt, đảm bảo xịt theo chiều gió thổi để ngăn hoá chất tiếp xúc trực tiếp với cơ thể. Đồng thời, cẩn thận không để hoá chất vương ra khu vực xung quanh và ngừng sử dụng máy xịt khi gió mạnh.
18. Do có nguy cơ nhiễm độc hoá chất khi xịt trong nhà kính, hãy luôn thông gió trong khi xịt.
19. Tránh xịt khi nhiệt độ không khí cao.
20. Tránh sử dụng máy xịt trong thời gian dài. Bắt cứ khi nào có thể, người vận hành hãy thay nhau sử dụng máy.
21. Nếu cảm thấy hơi đau đầu hoặc chóng mặt v.v..., hãy dừng xịt ngay lập tức và hỏi ý kiến bác sỹ. Thêm nữa, hãy nhớ thông báo rõ cho bác sỹ tên của hoá chất nông nghiệp đang sử dụng cũng như điều kiện sử dụng.
22. Trong trường hợp khả năng xịt kém đi và vòi cần được vệ sinh, sẽ xảy ra nguy cơ dung dịch hoá chất dính vào mặt, vì vậy nhớ TẮT máy xịt, sau đó mới tháo vòi ra để vệ sinh.
23. Đảm bảo xử lý nước thải từ việc rửa các thùng chứa và bình chứa hoá chất đã sử dụng một cách thích hợp ở nơi mà nước thải sẽ không chảy ra sông suối và/hoặc làm ô nhiễm nguồn nước ngầm.
24. Sau khi xịt, nếu hoá chất vẫn còn trong bình chứa hoá chất, ống xịt, ống và vòi xịt thì hoá chất có thể gây ra thương tích do xịt vào người. Hãy đảm bảo rửa kỹ hoá chất còn dư lại bằng nước sạch – đặc biệt, sau khi xịt thuốc diệt cỏ.
25. Cố giữ các hoá chất nông nghiệp tránh xa tầm với của trẻ em. Đảm bảo cất giữ các hoá chất còn dư trong các thùng chứa hoá chất được chỉ định.
26. Sau khi xịt xong, hãy nhớ rửa (xịt rửa) thiết bị bằng nước sạch, để ráo nước và cất giữ trong nhà, tránh ánh nắng trực tiếp và nhiệt độ kết dính cũng như để xa tầm với của trẻ em.
27. Sau khi xịt xong, hãy nhớ tắm rửa sạch sẽ bằng xà phòng, rửa mắt và súc miệng. Trong giai đoạn xịt, thay quần áo hàng ngày.

⚠ CẢNH BÁO:

VIỆC DÙNG SAI hoặc không tuân theo các quy định về an toàn được nêu trong tài liệu hướng dẫn này có thể dẫn đến thương tích cá nhân nghiêm trọng.

LƯU GIỮ CÁC HƯỚNG DẪN NÀY.

HƯỚNG DẪN QUAN TRỌNG VỀ AN TOÀN

ENC007-4

DÀNH CHO HỘP PIN

1. Trước khi sử dụng hộp pin, hãy đọc tất cả hướng dẫn và ký hiệu cảnh báo trên (1) bộ sạc pin, (2) pin và (3) sản phẩm dùng pin.
2. Không tháo rời hộp pin.
3. Nếu thời gian vận hành ngắn hơn quá mức, hãy ngừng vận hành ngay lập tức. Điều này có thể dẫn đến rùi ro quá nhiệt, có thể gây bỏng và thậm chí là nổ.
4. Nếu chất điện phân rơi vào mắt, hãy rửa sạch bằng nước sạch và đến cơ sở y tế ngay lập tức. Chất này có thể khiến bạn giảm thị lực.
5. Không để hộp pin ở tình trạng đoản mạch:
 - (1) Không chạm vào cực pin bằng vật liệu dẫn điện.
 - (2) Tránh cất giữ hộp pin trong hộp có các vật kim loại khác như đinh, tiền xu, v.v..
 - (3) Không để hộp pin dính nước hoặc ngoài trời mưa.
6. Đoàn mạch pin có thể gây ra dòng điện lớn, quá nhiệt, có thể gây bỏng và thậm chí là hỏng hóc.
7. Không cất giữ dụng cụ và hộp pin ở nơi nhiệt độ có thể lên tới hoặc vượt quá 50°C (122°F).
8. Không đốt hộp pin ngay cả khi hộp pin đã bị hư hại nặng hoặc hư hỏng hoàn toàn. Hộp pin có thể nổ khi tiếp xúc với lửa.
9. Hãy cẩn trọng không làm rơi hoặc làm méo pin.
10. Không sử dụng pin bị rơi hoặc bị méo.

LƯU GIỮ CÁC HƯỚNG DẪN NÀY.

Mẹo duy trì tuổi thọ tối đa cho pin

1. Sạc pin trước khi hết pin.
Luôn ngừng vận hành dụng cụ và sạc pin khi bạn thấy dụng cụ bị yếu pin.
2. Không bao giờ sạc lại pin khi hộp pin đã được sạc đầy.
Sạc quá mức sẽ làm giảm tuổi thọ của pin.
3. Sạc hộp pin ở nhiệt độ phòng từ 10°C - 40°C (50°F - 104°F). Để cho hộp pin nóng nguội trước khi sạc.

MÔ TẢ CHỨC NĂNG

⚠ THẬN TRỌNG:

- Luôn đảm bảo rằng đã tắt dụng cụ và tháo hộp pin trước khi điều chỉnh hoặc kiểm tra chức năng trên dụng cụ.

Lắp hoặc tháo hộp pin (Hình 1)

- Mở nắp hộp pin của Máy xịt.

- Luôn tắt dụng cụ trước khi lắp hoặc tháo hộp pin.
- Để tháo hộp pin, kéo hộp pin ra khỏi dụng cụ đồng thời đẩy nhẹ nút ở phía trước hộp pin.
- Để lắp hộp pin, đặt chốt nhỏ ra của hộp pin thẳng hàng với rãnh ở vỏ và đẩy hộp pin vào vị trí. Phải đưa pin vào cho đến khi hộp pin khớp vào vị trí với một tiếng lách cách nhỏ. Nếu bạn có thể thấy phần màu đỏ ở mặt trên của nút thì hộp pin chưa hoàn toàn khớp vào vị trí. Hãy đưa pin vào cho đến khi không thể thấy được phần màu đỏ. Nếu không, pin có thể bất ngờ văng ra khỏi dụng cụ, gây thương tích cho bạn hoặc người xung quanh.
- Không dùng lực khi lắp hộp pin. Nếu hộp pin không trượt vào dễ dàng thì có nghĩa là pin đang được lắp không đúng cách.

QUÁ TRÌNH LẮP RÁP

⚠ THẬN TRỌNG:

- Luôn chắc chắn rằng dụng cụ đã được tắt nguồn và hộp pin đã được tháo ra trước khi thực hiện bất kỳ công việc nào trên dụng cụ.

Cách lắp ống và vòi xịt (Hình 2)

- Như được minh hoạ trong hình vẽ, lắp ống xịt rồi đến vòi vào khoá cần.
- Điều chỉnh hướng của vòi bằng đai ốc trên ống xịt.
- Gắn chặt các bộ phận để đảm bảo không bị rò rỉ.
- Chọn vòi tùy theo kiểu xịt cần thực hiện.

CHÚ Ý:

- Tất cả các bộ phận nối đều sử dụng vòng đệm kín. Trước khi lắp, luôn kiểm tra xem liệu các bộ phận này đã có vòng đệm kín hay chưa.
- Kiểm tra để đảm bảo rằng ống xịt không bị nứt, mòn và/hoặc hư hỏng.
- Vận chặt trên ống xịt để ngăn rò rỉ dung dịch.
- Nếu có rò rỉ từ bộ phận nối, hãy vận chặt hơn nữa bằng dụng cụ cầm tay (khoảng xấp xỉ 45 độ).
- Không sử dụng ống xịt dài hơn ống tiêu chuẩn cung cấp. Nếu sử dụng ống dài hơn thì có thể gây ra rò rỉ từ các bộ phận nối.

Cách gắn dây đeo lưng (Hình 3)

Sử dụng các hình vẽ chỉ dẫn để gắn dây đeo lưng ở trên đầu và đáy, đảm bảo rằng dây đeo không bị xoắn.

CHÚ Ý:

- Kiểm tra để đảm bảo rằng dây đeo lưng được gắn chắc chắn vào bình chứa hoá chất.

VẬN HÀNH

⚠ THẬN TRỌNG:

- Trước khi lắp hộp pin vào dụng cụ, luôn kiểm tra xem liệu dụng cụ đã được tắt hay chưa.

Khi xịt

⚠ THẬN TRỌNG:

- Để tránh xịt bất ngờ, hãy đảm bảo đặt khoá cần về STOP (DỪNG), trước khi BẬT hoặc TẮT công tắc máy xịt.
- Khi công việc xịt bị gián đoạn, hãy nhớ TẮT công tắc để tránh xảy ra xịt ngoài ý muốn. **(Hình 4)**

Nhớ kiểm tra địa thế các khu vực xung quanh trước khi BẮT công tắc máy xịt.

Vận hành khoá cần để xịt.

Khi đã xịt xong, lập tức đặt khoá cần về STOP (DỪNG), sau đó TẮT công tắc máy xịt.

Cách sử dụng khoá cần (Hình 5)

- Vị trí "A" là vị trí STOP (DỪNG).
- Vị trí "B" là vị trí xịt. Nhả cần ra, cần sẽ trở về vị trí "A" và máy dừng xịt. (Xịt không liên tục)
- Vị trí "C" là vị trí xịt liên tục. (Xịt liên tục)

CHÚ Ý:

- Kiểm tra để đảm bảo rằng đã đổ hoá chất hoặc nước sạch vào bình chứa khi sử dụng máy xịt vì tiếp tục sử dụng máy xịt khi bình chứa rỗng có thể làm cháy máy bơm.
- Chạy máy xịt trong thời gian dài với khoá cần bị đóng có thể gây hại cho máy bơm cũng như làm cạn pin. Hãy nhớ TẮT công tắc máy xịt bất cứ khi nào có thể.
- Nếu xịt ra tiếng phì phì hoặc máy bơm đột nhiên phát ra tiếng rít thì bình chứa hoá chất bị rỗng, vì vậy, hãy TẮT ngay công tắc máy xịt.
- Không xịt khi nắp pin đang mở và/hoặc miếng đệm đỡ lưng đã bị tháo ra vì sẽ có nguy cơ làm thủng hệ thống điện. Ngoài ra, không được chĩa vòi xịt vào máy xịt và xịt.
- Không được nắm chặt khoá cần và/hoặc ống xịt.

Pha trộn hoá chất

⚠ THẬN TRỌNG:

- Không bao giờ được sử dụng bột có thể tan trong nước Kelthane (thuốc diệt ve) vì nó có xu hướng đông rắn lại do sức nóng của máy bơm trong khi vận hành, khiến cho máy bơm ngừng hoạt động. Sử dụng thể sữa của Kelthane, thể sữa của Akar hoặc bột có thể tan trong nước Osadan làm thuốc diệt ve.
- Khi sử dụng bột có thể tan trong nước hoặc hỗn hợp vôi và lưu huỳnh, hãy nhớ hoà tan đều trước khi sử dụng.
- Hết sức cẩn trọng khi xử lý các hoá chất. Rửa thật kỹ nếu hoá chất dính vào cơ thể.
- Các hoá chất rất độc hại. Luôn tuân theo các hướng dẫn của nhà sản xuất hoá chất khi xử lý hoá chất.
- Xem bảng bên dưới để biết thông tin hữu ích về tỉ lệ pha loãng hoá chất.
- Khi sử dụng bột có thể tan trong nước, v.v..., hoà tan hoàn toàn trong thùng chứa, chẳng hạn như trong xô.

Hoá chất \ Nước	Tỉ lệ pha loãng		
	500	1.000	2.000
4 L	8 mL	4 mL	2 mL
6 L	12 mL	6 mL	3 mL
8 L	16 mL	8 mL	4 mL
10 L	20 mL	10 mL	5 mL
12 L	24 mL	12 mL	6 mL
15 L	30 mL	15 mL	7,5 mL

Đổ đầy hoá chất

⚠ CẢNH BÁO:

- Khi thay hoá chất, hãy nhớ rửa sạch bình chứa, máy bơm và vòi, v.v.. bằng nước sạch. Phần hoá chất còn dư trước đó có thể gây ra thương tích do xịt vào người. Ngoài ra, nếu các hoá chất pha trộn với nhau, có thể xảy ra sự biến đổi hoá chất cùng với nguy cơ tạo ra khí độc.
- Hãy nhớ đeo găng tay bảo hộ.
- Không được thay hoá chất ở nơi không thoáng khí. (để phòng nhiễm độc hoá chất)

Kiểm tra để đảm bảo rằng công tắc máy xịt đã được TẮT và đổ hoá chất đã pha trộn vào bình chứa hoá chất.

Khi đổ hoá chất vào bình chứa, luôn lọc hoá chất qua bộ lọc bình chứa được trang bị.

Bên sườn của bình chứa hoá chất được đánh dấu bằng các vạch thang đo, vì vậy hãy nhớ dùng các vạch thang đo này theo hướng dẫn sử dụng.

Đóng chặt nắp bình chứa hoá chất để ngăn rò rỉ.

Điều chỉnh dây đeo lưng

Điều chỉnh dây đeo lưng tới độ dài sao cho máy xịt càng gần với cơ thể càng tốt.

Kéo dài dây đeo

(1) Nhấc khoá lên.

(2) Kéo dây về phía được nối với máy xịt. (Hình 6)

Rút ngắn dây đeo

Kéo dây về phía dây thả tự do. (Hình 7)

CHÚ Ý:

Khi rút ngắn dây đeo, dây sẽ di chuyển tương đối dễ dàng nếu không có sức nặng nào tác động lên dây.

BẢO DƯỠNG

⚠ THẬN TRỌNG:

- Luôn chắc chắn rằng bạn đã tắt nguồn và tháo pin của dụng cụ ra trước khi thực hiện kiểm tra hoặc bảo trì.
- Để kiểm tra và bảo trì, luôn nhớ đeo găng tay bảo hộ.

Bảo trì sau khi sử dụng

- Sau khi sử dụng, đổ hết chất lỏng còn dư lại trong bình chứa hoá chất ra và rửa sạch hoá chất bám vào bên trong bình chứa bằng nước sạch.
- Rồi đổ đầy nước sạch vào bình chứa hoá chất và chạy máy xịt khoảng 2 đến 3 phút để rửa sạch hoá chất còn dư khỏi máy bơm, ống và vòi, v.v..
- Đổ hết chất lỏng còn dư bên trong bình chứa hoá chất ra, khởi động lại máy bơm và chạy máy xịt cho tới khi chất lỏng còn dư thôi không xịt ra khỏi vòi nữa, sau đó TẮT công tắc máy xịt.
- Lau sạch nước đọng và bụi bẩn trên thiết bị, sau đó kiểm tra xem máy xịt có bị hư hại và rò rỉ không.

Kiểm tra hàng ngày

- Trước khi làm việc, kiểm tra xem liệu các bộ phận được siết chặt có bị lỏng không và các bộ phận có bị thiếu hay không.
- Kiểm tra để đảm bảo ống xịt không bị nứt, mòn và/hoặc hư hỏng.

- Sau khi sử dụng, luôn nhớ lau sạch bụi bẩn bên ngoài và kiểm tra hư hại và/hoặc rò rỉ.

Vệ sinh bộ lọc hấp thụ nước (Hình 8)

Sau khi loại bỏ hết hoá chất khỏi bình chứa, tháo bộ lọc hấp thụ nước ở dưới đáy bình và vệ sinh bộ lọc.

Vệ sinh bộ lọc khoá cần (Hình 9)

Tháo nắp khoá cần và vệ sinh bộ lọc.

CHÚ Ý:

Bộ lọc hấp thụ nước

- Đây là bộ lọc được sử dụng để ngăn chất bẩn và bụi (vì một lý do nào đó lọt qua bộ lọc của bình chứa đi vào bình chứa) đi vào máy bơm. Nếu bộ lọc hấp thụ nước bị tắc, khả năng xịt sẽ kém đi và có nguy cơ tác động bất lợi đến máy bơm.

Bộ lọc khoá cần

- Khả năng xịt kém đi nếu bộ lọc khoá cần bị tắc.

Cất giữ máy xịt

- Rửa thiết bị theo quy trình bảo trì sau khi sử dụng.
- Đặc biệt, khi cất giữ thiết bị trong mùa đông, có thể xảy ra hỏng hóc hoặc hư hại do hoá chất còn dư và/hoặc nước rửa thiết bị trong bơm bị kết đông. Chạy máy bơm cho tới khi tất cả chất lỏng còn dư xịt ra hết khỏi vòi, kiểm tra để đảm bảo không còn chất lỏng dư lại, TẮT công tắc máy xịt, sau đó mới cất giữ máy xịt.

⚠ THẬN TRỌNG:

Cất giữ Máy xịt tránh xa tầm với của trẻ em, ở trong nhà nơi không bị đóng băng, tránh ánh nắng trực tiếp và cất giữ ở nơi thoáng khí.

- Hết sức lưu ý khi cất giữ máy xịt vì trong một số trường hợp, các bộ phận làm bằng chất dẻo sẽ bị hư hại đáng kể nếu để dưới ánh nắng trực tiếp trong một thời gian dài, ngoài ra, các nhãn cảnh báo của sản phẩm có thể bị phai màu và/hoặc bong ra.

Các mẹo Hữu ích

Vòng kẹp ống xịt

Đảm bảo gắn vòng kẹp đúng chiều. (Hình 10)

CHÚ Ý:

- Vì các lý do về hình dạng, bắt buộc phải dùng lực trong quá trình gắn nhưng cần chú ý không làm cong ống xịt.

Sử dụng vòng kẹp khi nghỉ ngơi, khi đổ đầy hoá chất và trong các lần cất giữ v.v.. (Hình 11)

Chỉ dành cho Kiểu máy BVF154 (Hình 12)

Thanh trụ móc vòng kẹp của bình chứa hoá chất (Hình 13)

Thanh trụ móc vòng kẹp cũng được sử dụng làm nơi treo giữ nắp bình chứa hoá chất tạm thời, vì vậy hãy móc nắp bình lên thanh trụ này.

Bộ lọc bình chứa

Có thể rửa tay bằng cách lắp ống nước vào phần rãnh hữu ích của bộ lọc bình chứa. (Hình 14)

Một số loại sâu và dịch bệnh chính của cây trồng

Luôn tuân theo hướng dẫn của nhà sản xuất hoá chất khi xử lý các hoá chất. Hoà tan hoàn toàn hoá chất trước khi sử dụng.

Cách xử lý khi thiết bị hỏng hóc

Trước khi yêu cầu sửa chữa, hãy tự mình thực hiện kiểm tra trước. Nếu bạn thấy vấn đề không được giải thích trong tài liệu hướng dẫn này, dùng vòi vàng tháo dỡ máy xịt. Thay vào đó, hãy hỏi Trung tâm Bảo trì Được uỷ quyền của Makita, luôn nhớ sử dụng các bộ phận thay thế của Makita.

Tình trạng sự cố		Nguyên nhân	Hành động
Động cơ (máy bơm) không hoạt động	Công tắc TẮT	TẮT công tắc	BẬT công tắc
	Công tắc BẬT	Vấn đề về pin (điện áp không đủ)	Sạc lại pin Nếu sạc lại vẫn không mang lại kết quả, hãy thay pin.
		Dây nối bị ngắt kết nối	Yêu cầu kiểm tra kỹ lưỡng
		Đứt dây điện	Yêu cầu kiểm tra kỹ lưỡng
		Hỏng công tắc	Yêu cầu kiểm tra kỹ lưỡng
		Hỏng động cơ	Yêu cầu kiểm tra kỹ lưỡng
		Cháy cầu chì	Yêu cầu kiểm tra kỹ lưỡng
Máy bơm hoạt động nhưng không xịt được	Vòi bị tắc	Vệ sinh hoặc thay vòi	
	Không có chất lỏng trong bình chứa hoá chất	Đổ đầy lại	
	Lỗ thông khí ở nắp bình chứa bị bít kín	Vệ sinh	
	Ống dẫn bị tắc	Yêu cầu kiểm tra kỹ lưỡng	
	Ống dẫn bị gãy hoặc nứt	Yêu cầu kiểm tra kỹ lưỡng	
	Ống dẫn không được kết nối hoặc bị gãy	Yêu cầu kiểm tra kỹ lưỡng	
Bộ lọc hấp thụ nước bị tắc	Tháo ra và vệ sinh		

Tình trạng sự cố	Nguyên nhân	Hành động
Máy xịt hoạt động bất thường hoặc áp suất xịt yếu	Lỗ thông khí ở nắp bình chứa bị bít kín	Vệ sinh
	Ống dẫn bị tắc	Yêu cầu kiểm tra kỹ lưỡng
	Ống dẫn bị gãy hoặc nứt	Yêu cầu kiểm tra kỹ lưỡng
	Ống dẫn không được kết nối hoặc bị gãy	Yêu cầu kiểm tra kỹ lưỡng
	Bộ lọc hấp thụ nước bị tắc	Tháo ra và vệ sinh
	Bộ lọc khoá cần bị tắc	Tháo ra và vệ sinh
	Bộ điều chỉnh áp suất hoạt động bất thường	Yêu cầu kiểm tra kỹ lưỡng
	Hộp bánh răng bị mòn	Yêu cầu kiểm tra kỹ lưỡng
Phát ra tiếng động lạ khi BẬT công tắc	Chỗ nối dẫn động máy bơm bị lỏng	Yêu cầu kiểm tra kỹ lưỡng
	Vòi bị tắc	Vệ sinh hoặc thay vòi
Khi không sử dụng máy xịt sau khi TẮT công tắc, một lượng lớn chất lỏng chảy ra khỏi vòi	Khoá cần được đặt ở chế độ xịt liên tục	Điều chỉnh khoá cần về STOP (DỪNG)

Để duy trì ĐỘ AN TOÀN và ĐỘ TIN CẬY của sản phẩm, việc sửa chữa, bảo dưỡng hoặc bất kỳ điều chỉnh nào khác đều phải do Trung tâm Bảo trì Được uỷ quyền của Makita thực hiện, luôn sử dụng các bộ phận thay thế của Makita.

PHỤ TÙNG

THẬN TRỌNG:

- Các phụ tùng hoặc phụ kiện này được khuyến nghị sử dụng với dụng cụ Makita của bạn được chỉ định trong tài liệu này. Việc sử dụng bất kỳ phụ tùng hoặc phụ kiện nào khác có thể dẫn đến rủi ro thương tích cho con người. Chỉ sử dụng phụ tùng hoặc phụ kiện với mục đích được nêu.

Nếu bạn cần bất kỳ sự hỗ trợ nào để biết thêm chi tiết về các phụ tùng này, hãy hỏi Trung tâm Bảo trì Makita tại địa phương của bạn.

- Các vòi khác nhau
- Có nhiều loại pin và bộ sạc pin Makita chính hãng

ภาษาไทย (คำแนะนำต้นฉบับ)

คำอธิบายของมุมมองทั่วไป

- | | | |
|--|-------------------------------|---|
| 1. ปุ่ม | 9. ดัดข้อเกี่ยวสายรัดด้านหลัง | 18. ตัวยึดสำหรับเกี่ยวเข้ากับแท่งของถังที่อยู่บริเวณบ่า |
| 2. ส่วนสีแดง | 10. สวิตช์ | 19. ตัวยึดสำหรับเกี่ยวเข้ากับห่วงโลหะของสายรัดด้านหลัง |
| 3. ตลับแบตเตอรี่ | 11. หัวเข็มขัด | 20. เลียบสายพนักย่นี่ |
| 4. ผาครอบชุดแบตเตอรี่ | 12. ยกหัวเข็มขัดขึ้น | |
| 5. ท่อพนัก | 13. ดึง | |
| 6. คันโยกเปิดปิด | 14. ตัวกรองเพื่ออุดดูดซับน้ำ | |
| 7. หัวฉีด | 15. ผาครอบคันโยกเปิดปิด | |
| 8. สอดส่วนที่เป็นเข็มขัดของสายรัดด้านหลังเข้าไปในช่องเลียบของเครื่องพนัก | 16. ตัวกรอง | |
| | 17. ตัวยึดท่อพนัก | |

ข้อมูลทางเทคนิค

รุ่น	BVF104	BVF154	
ประเภทของปั๊ม	ระบบเฟืองเซรามิก		
ความจุของถังน้ำยาเคมี	10 ล.	15 ล.	
ช่องระบายน้ำทิ้งของถังน้ำยา	ไม่มี	มี	
วัสดุพนัก	คันโยกค้ำจับในตัว		
ขนาด (ก x ย x ส)	315 มม x 225 มม x 415 มม	345 มม x 235 มม x 525 มม	
น้ำหนักสุทธิ	3.8 กก	4.1 กก	
การทำงาน	แรงดันสูงสุด		
	0.3 Mpa		
	การปล่อยน้ำยาเคมี	หัวฉีดแบบหัวคู่ตั้งตรง	0.8 ล./ นาที
		หัวฉีดยาปราบวัชพืชมุมกว้าง	1.3 ล./ นาที
เวลาการทำงานอย่างต่อเนื่อง	หัวฉีดแบบหัวคู่ตั้งตรง	125 นาที	
	หัวฉีดยาปราบวัชพืชมุมกว้าง	200 นาที	
อัตราแรงดันไฟฟ้า		D.C. 18 V	
		D.C. 18 V	

- เนื่องจากมีการวิจัยและการพัฒนาของเราเป็นนิจอย่างต่อเนื่อง ดังนั้นข้อมูลเทคนิคที่ระบุในเอกสารนี้อาจมีการเปลี่ยนแปลงโดยไม่ต้องแจ้งให้ทราบล่วงหน้า
- ข้อมูลเทคนิคและตลับแบตเตอรี่อาจแตกต่างกันในแต่ละประเทศ
- น้ำหนักพร้อมแบตเตอรี่ตามข้อบังคับของ EPTA 01/2003

สัญลักษณ์

END007-1

ต่อไปนี้เป็นสัญลักษณ์ที่ใช้สำหรับอุปกรณ์ โปรดศึกษาความหมายของสัญลักษณ์ให้เข้าใจก่อนการใช้งาน



.....อ่านคู่มือการใช้งาน



.....อย่าใช้งานในขณะที่ฝนตก



.....สวมหน้ากากป้องกัน



.....สวมถุงมือป้องกัน

วัตถุประสงค์การใช้งาน

ENE071-1

เครื่องมือนี้ผลิตขึ้นเพื่อใช้พ่นสารเคมีทางการเกษตรและพืชสวนเพื่อควบคุมแมลงและวัชพืช

คำเตือนด้านความปลอดภัยสำหรับเครื่องมือไฟฟ้าทั่วไป

GEA006-2

⚠ คำเตือน อ่านคำเตือนด้านความปลอดภัยและคำแนะนำทั้งหมด
การไม่ปฏิบัติตามคำเตือนและคำแนะนำดังกล่าวอาจส่งผลให้เกิดไฟฟ้าช็อต ไฟไหม้ และ/หรือได้รับบาดเจ็บอย่างร้ายแรง

เก็บรักษาคำเตือนและคำแนะนำทั้งหมดไว้เป็นข้อมูลอ้างอิงในอนาคต

คำว่า "เครื่องมือไฟฟ้า" ในคำเตือนนี้ หมายถึง เครื่องมือไฟฟ้า (มีสาย) ที่ทำงานโดยใช้กระแสไฟฟ้า หรือเครื่องมือไฟฟ้า (ไร้สาย) ที่ทำงานโดยใช้แบตเตอรี่

ความปลอดภัยของพื้นที่ทำงาน

- ดูแลพื้นที่ทำงานให้มีความสะอาดและมีแสงไฟสว่าง พื้นที่กระเบื้องกระเบื้องหรือมีดที่บอบบางนำไปสู่การเกิดอุบัติเหตุได้

- อย่าใช้งานเครื่องมือไฟฟ้าในสภาพที่อาจเกิดการระเบิด เช่น ในสถานที่ที่มีของเหลว ก๊าซ หรือฝุ่นที่มีคุณสมบัติไวไฟ เครื่องมือไฟฟ้าจะสร้างประกายไฟเพื่อจุดชนวนฝุ่นหรือก๊าซดังกล่าว
- ดูแลไม่ให้มีเด็ก ๆ หรือบุคคลอื่นอยู่ในบริเวณที่ก้ำกั้วใช้เครื่องมือไฟฟ้า การมีสิ่งรบกวนสมาธิอาจทำให้คุณสูญเสียการควบคุม

ความปลอดภัยด้านไฟฟ้า

- ปลั๊กของเครื่องมือไฟฟ้าต้องพอดีกับเต้ารับ อย่าตัดแปลงปลั๊ก ไม่ว่ากรณีใดๆ อย่าใช้ปลั๊กของเต้าปลั๊กกับเครื่องมือไฟฟ้าที่ต่อสายดิน (กราวด์) ปลั๊กที่ไม่ถูกดัดแปลงและเต้ารับไฟที่เข้ากันพอดี จะช่วยลดความเสี่ยงของการเกิดไฟฟ้าช็อต
- ระวังอย่าให้ร่างกายสัมผัสกับพื้นผิวที่ต่อสายดิน เช่น ท่อ เครื่องนำความร้อน เครื่องใช้ไฟฟ้าในครัว และตู้เย็น มี ความเสี่ยงที่จะเกิดไฟฟ้าช็อตสูงขึ้น หากร่างกายของคุณสัมผัสกับพื้น
- อย่าให้เครื่องมือไฟฟ้าถูกน้ำหรืออยู่ในสภาพเปียกชื้น น้ำที่ไหลเข้าไปในเครื่องมือไฟฟ้าจะเพิ่มความเสี่ยงของการเกิดไฟฟ้าช็อต
- อย่าใช้สายไฟอย่างไม่เหมาะสม อย่าใช้สายไฟที่พอง ดึง หรือ ถอดปลั๊กเครื่องมือไฟฟ้า เก็บสายไฟให้ห่างจากความร้อน น้ำมัน ของมีคม หรือชิ้นส่วนที่เคลื่อนที่ สายที่ชำรุดหรือพันกัน จะเพิ่มความเสี่ยงของการเกิดไฟฟ้าช็อต
- ขณะที่ใช้งานเครื่องมือไฟฟ้านอกอาคาร ควรใช้สายต่อพ่วงที่เหมาะสมกับงานนอกอาคาร การใช้สายที่เหมาะสมกับงาน ภายนอกอาคารจะลดความเสี่ยงของการเกิดไฟฟ้าช็อต
- หากต้องใช้งานเครื่องมือไฟฟ้าในสถานที่เปียกชื้น ให้ใช้ เครื่องตัดไฟฟ้รั่ว (GFCI) สำหรับป้องกันไฟดูด การใช้ GFCI จะลดความเสี่ยงของการเกิดไฟฟ้าช็อต

ความปลอดภัยส่วนบุคคล

- ให้ระมัดระวัง และสังเกตเสมอว่าคุณกำลังทำอะไรอยู่ และใช้สามัญสำนึกในขณะที่ใช้งานเครื่องมือไฟฟ้า อย่าใช้งานเครื่องมือไฟฟ้าในขณะที่คุณกำลังเหนื่อย หรือในสภาพที่มีเมฆจากยาเสพติด เครื่องดื่มแอลกอฮอล์ หรือการใส่ยา ช่วงเวลาที่ขาดความระมัดระวังเมื่อกำลังใช้งานเครื่องมือไฟฟ้าอาจทำให้คุณได้รับบาดเจ็บอย่างรุนแรง
- ใช้อุปกรณ์ป้องกันส่วนบุคคล สวมแว่นตาป้องกันเสมอ อุปกรณ์ป้องกัน เช่น หน้ากากกันฝุ่น รองเท้ากันภัยกันสั่น หมวกกันภัย หรือ เครื่องป้องกันการได้ยินที่ใช้ในสภาพที่เหมาะสมจะช่วยลดการบาดเจ็บ
- ป้องกันไม่ให้เปิดใช้งานอย่างไม่ตั้งใจ ตรวจสอบว่าสวิตช์อยู่ในตำแหน่งปิดก่อนเชื่อมต่อที่แหล่งจ่ายไฟ และ/หรือ ชุดแบตเตอรี่ หรือก่อนการยกหรือถือเครื่องมือ การสอดนิ้วมือ บริเวณสวิตช์เพื่อถือเครื่องมือไฟฟ้า หรือการชาร์จไฟเครื่องมือไฟฟ้า ในขณะที่เปิดสวิตช์อยู่อาจนำไปสู่การเกิดอุบัติเหตุ
- นำกฎดูแลปรับแต่งหรือประกอบก่อนที่จะเปิดเครื่องมือไฟฟ้า ประแจหรือกุญแจที่เสียบค้างอยู่ในชิ้นส่วนที่หมุนได้ของเครื่องมือไฟฟ้าอาจทำให้คุณได้รับบาดเจ็บ
- อย่าทำงานในระยะที่ดูเอื่อม จัดท่าการยืนและการทรงตัวให้เหมาะสมตลอดเวลา เพราะจะทำให้ควบคุมเครื่องมือไฟฟ้าได้ดีขึ้น ในสถานการณ์ที่ไม่คาดคิด

- แต่งกายให้เหมาะสม อย่าสวมเครื่องแต่งกายที่หลวมเกินไป หรือสวมเครื่องประดับ ดูแลไม่ให้เส้นผม เสื้อผ้า และถุงมืออยู่ใกล้ชิ้นส่วนที่เคลื่อนที่ เสื้อผ้าม้วน ผ้า เครื่องประดับ หรือผมที่มีความยาวอาจเข้าไปติดในชิ้นส่วนที่เคลื่อนที่
- หากมีการจัดอุปกรณ์สำหรับชุดและจัดเก็บฝุ่นไว้ในสถานที่ ให้ตรวจสอบว่าได้เชื่อมต่อและใช้งานอุปกรณ์นั้นอย่างเหมาะสม การใช้เครื่องดูดและจัดเก็บฝุ่นจะชะงักอันตรายที่เกิดจากฝุ่นผงได้

การใช้และดูแลเครื่องมือไฟฟ้า

- อย่าฝืนใช้เครื่องมือไฟฟ้า ใช้เครื่องมือไฟฟ้าที่เหมาะสมกับ การใช้งานของคุณ เครื่องมือไฟฟ้าที่เหมาะสมจะทำให้งานที่มีประสิทธิภาพและปลอดภัยกว่าตามขีดความสามารถของเครื่องที่ ได้รับการออกแบบมา
- อย่าใช้เครื่องมือไฟฟ้า หากสวิตช์ไม่สามารถเปิดปิดได้ เครื่องมือไฟฟ้าที่ใช้สวิตช์ควบคุมไม่ได้จัดเป็นอันตรายและต้องได้รับการซ่อมแซม
- ถอดปลั๊กจากแหล่งจ่ายไฟ และ/หรือชุดแบตเตอรี่ออกจาก เครื่องมือไฟฟ้าก่อนทำการปรับแต่ง เปลี่ยนอุปกรณ์เสริม หรือ จัดเก็บเครื่องมือไฟฟ้า วิธีการป้องกันด้านความปลอดภัยดังกล่าว จะช่วยลดความเสี่ยงของการเปิดใช้งานเครื่องมือไฟฟ้าอย่างไม่ตั้งใจ
- จัดเก็บเครื่องมือไฟฟ้าที่ไม่ได้ใช้งานให้ห่างจากมือเด็ก และอย่าอนุญาตให้บุคคลที่ไม่คุ้นเคยกับเครื่องมือไฟฟ้าหรือ คำน่าน่าเชื่อถือในโรงงานเครื่องมือไฟฟ้า เครื่องมือไฟฟ้าจะเป็นอันตรายเมื่ออยู่ในมือของผู้ที่ไม่ได้รับการฝึกอบรม
- การดูแลเครื่องมือไฟฟ้า ตรวจสอบการประกอบหรือ การเชื่อมต่อของชิ้นส่วนที่เคลื่อนที่ที่ไม่ถูกต้อง การแตกหักของชิ้นส่วน หรือสภาพอื่นๆ ที่อาจส่งผลกระทบต่อการทำงานของเครื่องมือไฟฟ้า หากมีความเสียหาย ให้นำเครื่องมือไฟฟ้า ไปซ่อมแซมก่อนการใช้งาน อุบัติเหตุจำนวนมากเกิดจากการดูแลรักษาเครื่องมือไฟฟ้าอย่างไม่ถูกต้อง
- ล้างความคดและทำความสะอาดเครื่องมือการตัดอยู่เสมอ เครื่องมือการตัดที่มีการดูแลอย่างถูกต้องและมีขอบการตัดคมมักจะมี ปัญหาตัดชิ้นน้อยและควบคุมได้ง่ายกว่า
- ใช้เครื่องมือไฟฟ้า อุปกรณ์เสริม และวัสดุสิ้นเปลือง ฯลฯ ตามคำแนะนำดังกล่าว พิจารณาสภาพการทำงานและงานที่จะ ลงมือทำ การใช้เครื่องมือไฟฟ้าเพื่อทำงานอื่นนอกเหนือจากที่ กำหนดไว้อาจทำให้เกิดอันตราย

การใช้และการดูแลเครื่องมือที่ใช้แบตเตอรี่

- ชาร์จไฟด้วยแท่นชาร์จที่ระบุโดยผู้ผลิตเท่านั้น แท่นชาร์จที่ใช้งาน ได้กับชุดแบตเตอรี่ประเภทหนึ่งอาจมีความเสี่ยงในการเกิดไฟไหม้ขึ้น เมื่อใช้กับชุดแบตเตอรี่ประเภทอื่น
- ใช้เครื่องมือไฟฟ้ากับชุดแบตเตอรี่ที่ได้รับการออกแบบมา โดยเฉพาะ การใช้ชุดแบตเตอรี่ประเภทอื่นอาจทำให้ได้รับบาดเจ็บ และเกิดไฟไหม้ได้
- เมื่อไม่ใช้ใช้งานชุดแบตเตอรี่ ให้เก็บไว้ในที่ห่างจากวัตถุโลหะ อื่นๆ เช่น คลิปหนีบกระดาษ เพลี้ย คุญแจ ตะปู สกรู หรือ วัตถุโลหะขนาดเล็กอื่นๆ ที่อาจทำการเชื่อมต่อกจากชิ้นหนึ่งไปยังอีกชิ้นหนึ่ง การลัดวงจรตัวแบตเตอรี่ทั้งสองด้านอาจทำให้ผิวหนัง ถูกลวกหรือไฟไหม้ได้

27. ในสภาพที่เป็นอันตราย อาจมีของเหลวไหลออกมาจากแบตเตอรี่ อย่าสัมผัสของเหลวดังกล่าว หากสัมผัสโดยไม่ตั้งใจ ให้ไปล้างน้ำออก หากของเหลวนั้นสัมผัสกับดวงตา โปรดไปพบแพทย์เพื่อทำการรักษา ของเหลวที่ไหลออกมาจากแบตเตอรี่อาจทำให้เกิดการระคายเคืองหรือลวกผิวหนังได้

การบำรุงรักษา

28. นำเครื่องมือไฟฟ้าเข้ารับการบริการจากช่างซ่อมที่ผ่านการรับรอง โดยใช้อะไหล่แบบเดียวกันเท่านั้น เพราะจะทำให้การใช้เครื่องมือไฟฟ้ามีความปลอดภัย
29. ปฏิบัติตามคำแนะนำในการหล่อลื่นและการเปลี่ยนอุปกรณ์เสริม
30. ดูแลมือจับให้แห้ง สะอาด และไม่มีน้ำมันและจาระบีเปื้อน

กฎเกณฑ์ด้านความปลอดภัยที่กำหนด

GEB044-3

อย่าให้ความไม่ระมัดระวังหรือความคุ่นเคยกับผลิตภัณฑ์ (จากการใช้งานซ้ำหลายครั้ง) อยู่เหนือการปฏิบัติตามกฎเกณฑ์ด้านความปลอดภัยในการใช้งานเครื่องพ่นยาฆ่าแมลงอย่างเคร่งครัด หากคุณใช้งานเครื่องมืออย่างไม่ปลอดภัยหรือไม่ถูกต้อง คุณอาจได้รับบาดเจ็บอย่างรุนแรง

คำเตือนด้านความปลอดภัยสำหรับการพ่นยา:

1. อย่าใช้เครื่องพ่นยาในวัตถุประสงค์อื่นนอกเหนือจากการพ่นสารเคมีทางการเกษตรและพืชสวนเพื่อควบคุมแมลงและวัชพืช
2. เกี่ยวกับกาการใช้งานสารเคมี โปรดอ่านคำแนะนำเกี่ยวกับสารเคมีอย่างละเอียดเพื่อให้มีความเข้าใจอย่างแท้จริงเกี่ยวกับสารพิษและวิธีการใช้งาน
3. หากสารเคมีสัมผัสกับผิวหนัง ให้ล้างออกด้วยสบู่ทันที
4. ปิดฝาถังน้ำยาเคมีให้สนิทเพื่อป้องกันการรั่วไหล
5. อย่าถ่ายน้ำยาเคมีลงในภาชนะอื่น
6. ล้างภาชนะบรรจุสารเคมีเปล่าให้ทั่วถึงเสมอเมื่อมีการผสมน้ำยาเคมี และปฏิบัติตามคำแนะนำของผู้ผลิตสารเคมีสำหรับการทิ้งทำลายภาชนะบรรจุอย่างถูกต้องทุกครั้ง
7. ก่อนการใช้งานเครื่องพ่นยา ให้ตรวจสอบว่าไม่มีสิ่งผิดปกติ เช่น ท่อหรือบรรจุถูกถอดออกจากตัวเชื่อมต่อ สกรูที่ขันไม่แน่น ส่วนประกอบที่หยดไป และ/หรือสายพ่นที่มีรอยแตกร้าว/ฉีกขาดชำรุดเสียหาย
การใช้เครื่องพ่นยาที่ไม่สมบูรณ์อาจทำให้เกิดอุบัติเหตุ และ/หรือการบาดเจ็บ
8. ระวังบุคคลที่ไม่เกี่ยวข้องกับการพ่นยาออกจากบริเวณรอบ ๆ สถานที่ทำงานระหว่างการพ่นยา
9. เมื่อมีการขนส่งเครื่องพ่นยาที่บรรจุน้ำยาเคมีทางรถยนต์ อาจมีความเสี่ยงที่จะเกิดการรั่วไหล ดังนั้นควรปิดฝากลังน้ำยาเคมีให้สนิททุกครั้ง และยึดเครื่องพ่นยาให้แน่นโดยวางในตำแหน่งที่ตั้งหัวขึ้น
10. อย่าใช้สารเคมีเหล่านี้ เช่น สารเคมีที่มีฤทธิ์เป็นกรดสูง สีทาบ้าน ทินเนอร์ น้ำมันเชื้อเพลิงหรือเบรคกับเครื่องพ่นยา เนื่องจากอาจเกิดอันตรายจากการกัดผิวหนังหรือไฟไหม้

11. ตรวจสอบว่าได้เลือกสารเคมีที่เหมาะสม (เมื่อคำนึงถึงวิธีการใช้งานและความมีประสิทธิภาพ) ในการจัดการกับศัตรูพืชหรือวัชพืชต้องสงสัย
12. สารเคมีที่ผสมกันอย่างไม่ถูกต้องอาจเป็นอันตรายต่อมนุษย์ และสร้างความเสียหายให้แก่พืชผล/ต้นไม้ เมื่อต้องทำการผสมสารเคมี ควรอ่านคำแนะนำเกี่ยวกับสารเคมีอย่างละเอียด และแจ้งจางสารเคมีอย่างถูกต้องก่อนการใช้งาน
13. ผสมน้ำยาเคมีก่อนบรรจุลงในถังทุกครั้ง
14. เพื่อป้องกันการสูดดม และ/หรือการสัมผัสกับน้ำยาเคมี ตรวจสอบว่าได้สวมใส่ชุดป้องกัน (ได้แก่ หมวก แว่นกันฝุ่น หน้ากากป้องกัน ถุงมือยาง เสื้อแจ็คเก็ตแขนยาวสำหรับการพ่นยา กางเกงขายาว และรองเท้ายาง) เพื่อป้องกันไม่ให้สัมผัสกับน้ำยาเคมีในขณะพ่นยา
15. บรรจุน้ำยาเคมีหรือหน้าสะอาดลงในถังทุกครั้งเมื่อทำการพ่นยา เพราะการใช้งานเครื่องพ่นยาด้วยถังเปล่าอาจทำให้มีมลพิษรั่วเสียหาย
16. หากเครื่องพ่นยาหยุดทำงาน หรือมีเสียงผิดปกติ ให้ปิดสวิตช์เครื่องทันที และหยุดการใช้งาน
17. ระบุระดับที่ความสูงของลมเสมอในขณะพ่นยา ตรวจสอบว่าได้พ่นยาโดยเริ่มจากทิศทางที่เหนือลมไปยังทิศทางที่อยู่ใต้ลม เพื่อป้องกันไม่ให้สารเคมีสัมผัสกับร่างกายโดยตรง นอกจากนี้ควรระบุระดับไม่ให้พ่นน้ำยาเคมีกระจายออกไปภายนอกบริเวณที่พ่นยา และหยุดการใช้งานเครื่องพ่นยาเมื่อกระแสลมแรง
18. อาจมีความเสี่ยงที่จะได้รับพิษจากสารเคมี เมื่อทำการพ่นยาในเรือนกระจก ดังนั้นควรมีการระบายอากาศเมื่อทำการพ่นยาเสมอ
19. หลีกเลี่ยงการพ่นยาในสภาพอากาศที่มีอุณหภูมิสูง
20. หลีกเลี่ยงการใช้งานเครื่องพ่นยาดัดต่อกันเป็นเวลานาน หากเป็นไปได้ ควรสลับเปลี่ยนผู้ปฏิบัติงาน
21. หากมีอาการปวดศีรษะหรือมีน้ำตาไหล หรืออาการต่าง ๆ แม้เพียงเล็กน้อย ให้หยุดการพ่นยาทันที และไปพบแพทย์ นอกจากนี้ ควรแจ้งให้แพทย์ทราบอย่างชัดเจนถึงชื่อของสารเคมีทางการเกษตรที่ใช้ทำงานอยู่ และสภาพแวดล้อมในการปฏิบัติงาน
22. ในกรณีที่มีการพ่นยาด้อยประสิทธิภาพลง และต้องทำความสะอาดหัวฉีด อาจมีความเสี่ยงที่น้ำยาเคมีจะรั่วไหลออกมาสัมผัสลูกโป่งหน้า ดังนั้นควรปิดสวิตช์เครื่องพ่นยาแล้วถอดหัวฉีดออกมาเพื่อทำความสะอาด
23. ตรวจสอบว่าได้ทิ้งน้ำเสียที่เกิดจากการล้างภาชนะบรรจุและถังน้ำยาเคมีที่ใช้แล้วอย่างถูกต้อง ในสถานที่ที่น้ำยาเคมีดังกล่าวไม่สามารถไหลลงสู่แม่น้ำ ลำคลอง และ/หรือไหลปนเปื้อนลงไปในน้ำใต้ดิน
24. หลังจากพ่นยาแล้ว หากยังเหลือน้ำยาเคมีตกค้างอยู่ในถังสายพ่นยา ท่อพ่นยา และหัวฉีด อาจทำให้ผู้ใช้ได้รับอันตรายจากการพ่นยา ตรวจสอบว่าได้ล้างสารเคมีที่หลงเหลืออยู่ออกจนหมดด้วยน้ำสะอาด โดยเฉาะอย่างยิ่งหลังจากการพ่นยาปราบวัชพืช
25. เก็บรักษาสารเคมีด้านการเกษตรให้อยู่ห่างจากเด็ก ๆ ดูแลให้มีการเก็บรักษาสารเคมีที่เหลืออยู่ลงในภาชนะบรรจุที่ออกแบบมาสำหรับสารเคมีโดยเฉพาะ

- หลังจากการพ่นยาเสร็จเรียบร้อยแล้ว ดูแลให้มีการล้างอุปกรณ์ด้วยน้ำสะอาด เหน้าที่ล้างทำความสะอาดทั้งไป ทั้งนี้ให้จัดเก็บเครื่องไว้ภายในอาคารเพื่อไม่ให้ได้รับแสงแดดโดยตรงและในสถานที่ที่เป็นน้ำแข็ง รวมถึงให้อยู่ห่างจากมือเด็ก
- หลังจากการพ่นยาเสร็จเรียบร้อยแล้ว ควรชำระล้างร่างกายทั้งตัวให้สะอาดทั่วถึงด้วยสบู่ ล้างตา และกลั้วคอ ในช่วงที่ทำการพ่นยา ให้เปลี่ยนเสื้อผ้าทุกวัน

⚠ คำเตือน:

การปฏิบัติอย่างไม่เหมาะสมหรือการไม่ปฏิบัติตามกฎเกณฑ์ด้านความปลอดภัยในคู่มือใช้งานนี้อาจก่อให้เกิดการบาดเจ็บอย่างรุนแรง

บันทึกคำแนะนำเหล่านี้

คำแนะนำด้านความปลอดภัยที่สำคัญ

ENC007-4

สำหรับตลับแบตเตอรี่

- ก่อนใช้งานตลับแบตเตอรี่ โปรดอ่านคำแนะนำและข้อควรระวังทั้งหมดที่ระบุอยู่ใน (1) แท่นชาร์จแบตเตอรี่ (2) แบตเตอรี่ และ (3) ผลิตภัณฑ์ที่ใช้แบตเตอรี่
- อย่าใช้ตลับแบตเตอรี่ที่ถูกแยกชิ้นส่วน
- หากเวลาการทำงานสั้นเกินไป ให้หยุดการทำงานทันที เพราะอาจทำให้แบตเตอรี่มีความร้อนมากเกินไป อาจเป็นอันตรายจากการลวกผิวหนัง จนถึงเกิดการระเบิดขึ้นได้
- หากอิเล็กทรอนิกส์เข้าสู่ดวงตา ให้ล้างน้ำออก แล้วไปพบแพทย์ทันที เพราะอาจทำให้ดวงตาของคุณสูญเสียการมองเห็นได้
- อย่าลัดวงจรตลับแบตเตอรี่
 - อย่าสัมผัสขั้วแบตเตอรี่ที่มีวัสดุนำไฟฟ้า
 - อย่าจัดเก็บตลับแบตเตอรี่ในภาชนะที่มีวัสดุโลหะอื่น ๆ เช่น ตะปู เหมียว ฯลฯ
 - อย่าให้ตลับแบตเตอรี่ถูกน้ำหรือฝน แบตเตอรี่ที่ลัดวงจรสามารถก่อให้เกิดการไหลเวียนไฟฟ้าในปริมาณมาก มีความร้อนสูงเกินไป มีอันตรายจากการลวกผิวหนัง จนกระทั่งถึงการช็อตเสียชีวิตได้
- อย่าจัดเก็บเครื่องมือและตลับแบตเตอรี่ในสถานที่ที่มีอุณหภูมิสูงเกินกว่า 50°C (122°F)
- อย่านำตลับแบตเตอรี่ไปเผา แม้ว่าตัวแบตเตอรี่จะเสียหายมากหรือเสื่อมสภาพอย่างสิ้นเชิง เพราะตลับแบตเตอรี่อาจระเบิดในกองไฟ
- ระมัดระวังอย่าทำให้แบตเตอรี่ร่วงหล่นหรือได้รับการกระทบ
- อย่าใช้แบตเตอรี่ที่ร่วงหล่นหรือได้รับการกระทบ

บันทึกคำแนะนำเหล่านี้

เคล็ดลับในการดูแลรักษาแบตเตอรี่ให้มีอายุการใช้งานสูงสุด

- ชาร์จตลับแบตเตอรี่ก่อนที่จะคายประจุออกจนหมด เพื่อให้ชุดการทำงานของเครื่องและชาร์จตลับแบตเตอรี่ก่อนเสมอเมื่อคุณสังเกตเห็นว่าพลังงานของเครื่องมือลดลง
- อย่าชาร์จตลับแบตเตอรี่ที่มีพลังงานเต็มแล้ว การชาร์จตลับแบตเตอรี่มากเกินไปจะทำอายุการใช้งานของแบตเตอรี่สั้นลง
- อย่าชาร์จตลับแบตเตอรี่ในอุณหภูมิห้องที่อยู่ระหว่าง 10°C - 40°C (50°F - 104°F) ปล่อยให้ตลับแบตเตอรี่ที่มีความร้อนเย็นลงก่อนที่จะชาร์จ

คำอธิบายการใช้งาน

⚠ ข้อควรระวัง:

- ตรวจสอบว่าปิดสวิตช์เครื่องและถอดตลับแบตเตอรี่ออกก่อนทำการปรับเปลี่ยนหรือตรวจสอบการทำงานของเครื่อง

การประกอบหรือการถอดตลับแบตเตอรี่ (ภาพที่ 1)

- เปิดฝาด้านบนของแบตเตอรี่ของเครื่องพ่นยา
- ปิดสวิตช์เครื่องทุกครั้งก่อนประกอบหรือถอดตลับแบตเตอรี่
- สำหรับการถอดตลับแบตเตอรี่ ให้ถอดตลับแบตเตอรี่ออกจากเครื่องโดยการเลื่อนปุ่มที่ด้านหน้าของตลับแบตเตอรี่
- ในการใส่ตลับแบตเตอรี่ ให้จัดแนวลิ้นของตลับแบตเตอรี่ให้ตรงกับร่องในฝาด้านบนของเครื่องและเลื่อนให้เข้าที่ ใส่แบตเตอรี่เข้าไปจนสุดจนกว่าจะล็อกเข้าที่สนิทโดยจะได้ยินเสียงดังคลิกเบาๆ หากคุณยังมองเห็นส่วนสีแดงที่อยู่ด้านบนของปุ่ม แสดงว่ายังไม่ล็อกไม่เข้าที่ ใส่เข้าไปจนสุดจนกว่าจะมองไม่เห็นส่วนสีแดง หากไม่เช่นนั้น แบตเตอรี่อาจร่วงหล่นออกจากเครื่องอย่างไม่ตั้งใจและทำให้คุณหรือบุคคลอื่นที่อยู่รอบๆ ได้รับบาดเจ็บ
- อย่าใช้แรงดันในขณะใส่ตลับแบตเตอรี่ หากตลับแบตเตอรี่เลื่อนเข้าไปได้ลำบาก อาจเป็นเพราะมีการใส่แบตเตอรี่ไม่ถูกต้อง

ชิ้นส่วนของเครื่อง

⚠ ข้อควรระวัง:

- ตรวจสอบว่าปิดสวิตช์เครื่องและถอดตลับแบตเตอรี่ออกเสมอก่อนที่จะใช้งานใดๆ กับเครื่อง

วิธีการประกอบท่อพ่นยาและหัวฉีด (ภาพที่ 2)

- ประกอบท่อพ่นยาและหัวฉีดลงบนคันโยกเปิดปิด ตามที่แสดงในแผนภาพ
- ปรับทิศทางของหัวฉีดโดยใช้มือตัดที่อยู่บนท่อพ่นยา
- ประกอบส่วนต่างๆ เข้าด้วยกันให้สนิทเพื่อให้มั่นใจว่าไม่มีการรั่วไหล
- เลือกหัวฉีดตามประเภทของการพ่นยาที่จะต้องใช้

หมายเหตุ:

- ตัวเชื่อมต่อทั้งหมดมีที่หีบห่อบรรจุ ก่อนการประกอบ ให้ตรวจสอบทุกครั้งเพื่อดูว่าชิ้นส่วนต่างๆ มีที่หีบห่อบรรจุ

- ตรวจสอบเพื่อให้แน่ใจว่าสายพ่นยาไม่มีรอยแตก ร้าว ฉีกขาด และ/หรือ ขรุขระเสียหาย
- ประกอบท่อพ่นยาให้แน่นเพื่อป้องกันน้ำยารั่วไหล
- หากมีการรั่วไหลจากตัวเชื่อมต่อ ใช้เครื่องมือขันให้แน่น (ประมาณ 45 องศา)
- อย่าใช้ท่อพ่นยาขนาดยาวกว่าที่มาตรฐานที่มีมาให้ การกระทำดังกล่าวอาจทำให้เกิดการรั่วไหลจากตัวเชื่อมต่อ

วิธีการประกอบสายรัดด้านหลัง (ภาพที่ 3)

ใช้แผนภาพที่ให้มาเพื่อประกอบสายรัดด้านหลังทั้งด้านบนและด้านล่าง และตรวจสอบว่าสายรัดไม่มีบิดเป็นเกลียว

หมายเหตุ:

- ตรวจสอบให้แน่ใจว่าได้ประกอบสายรัดด้านหลังเข้ากับถังน้ำยาเคมี อย่างแน่นหนา

การทำงาน

⚠️ ข้อควรระวัง:

- ก่อนใส่ดัดลับแบตเตอรี่เข้าไปในเครื่อง ให้ตรวจสอบทุกครั้งว่าได้ปิด สวิตช์เครื่องแล้ว

การพ่นยา

⚠️ ข้อควรระวัง:

- เพื่อป้องกันไม่ให้เกิดการพ่นยาอย่างกะทันหัน ให้ตรวจสอบว่าได้ตั้งค่า คันโยกเปิดปิดไปที่หยุด ก่อนเปิดหรือปิดสวิตช์ของเครื่องพ่นยา
- เมื่อการพ่นยาหยุดชะงัก ให้ตรวจสอบว่าได้ปิดสวิตช์เครื่องแล้วเพื่อ ป้องกันการพ่นยาโดยไม่ตั้งใจ (ภาพที่ 4)

ตรวจสอบสภาพแวดล้อมรอบๆ ก่อนเปิดสวิตช์เครื่องพ่นยา

ใช้คันโยกเปิดปิดเพื่อทำการพ่นยา

เมื่อการพ่นยาเสร็จเรียบร้อยแล้ว ให้ตั้งค่าคันโยกเปิดปิดไปที่หยุด จากนั้นให้ปิด สวิตช์เครื่องพ่นยา

วิธีการใช้คันโยกเปิดปิด (ภาพที่ 5)

1. ตำแหน่ง "A" คือตำแหน่งหยุด
2. ตำแหน่ง "B" คือตำแหน่งการพ่นยา ปลดคันโยกเพื่อให้กลับไปสู่ ตำแหน่ง "A" และการพ่นยาจะหยุดลง (การพ่นยาที่หยุดเป็นช่วงๆ)
3. ตำแหน่ง "C" คือตำแหน่งการพ่นยาอย่างต่อเนื่อง (การพ่นยาอย่างต่อเนื่อง)

หมายเหตุ:

- ตรวจสอบให้แน่ใจว่าได้บรรจุน้ำยาเคมีหรือน้ำละลายลงในถังในขณะที่ใช้งานเครื่องพ่นยา เนื่องจากการใช้งานเครื่องพ่นยาที่มีถังเปล่าอย่างต่อเนื่องอาจทำให้บวมใหม่ได้
- การใช้งานเครื่องพ่นยาดัดต่อกันเป็นเวลานานโดยที่คันโยกเปิดปิด อยู่ที่ตำแหน่งปิดอาจทำให้เกิดผลกระทบอย่างรุนแรงต่อบีม และทำให้ แบตเตอรี่หมด ตรวจสอบว่าได้ปิดสวิตช์เครื่องพ่นยาเมื่อเป็นไปไม่ได้
- หากการพ่นยาดัดขัด หรือมีเสียงเสียดเสียดดังขึ้นกะทันหัน ถังน้ำยารั่วเปล่า ให้ปิดสวิตช์เครื่องพ่นยาทันที
- อย่าพ่นยาโดยที่ฝาครอบแบตเตอรี่เปิดอยู่ และ/หรือเครื่องพ่นยาเพื่อ ลดการกระแทกถูกถอดออก เพราะอาจมีความเสี่ยงที่จะทำให้ระบบ ไฟฟ้าขรุขระเสียหาย นอกจากนี้ อย่าหันหัวฉีดไปยังเครื่องพ่นยา และ พ่นยาออกมา
- อย่าใช้งานคันโยกเปิดปิด และ/หรือท่อพ่นยาอย่างรุนแรง

การผสมน้ำยาเคมี

⚠️ ข้อควรระวัง:

- อย่าใช้ผงละลายน้ำแคลเซียม (สารกำจัดโร) เนื่องจากสารเคมีดังกล่าว มักจะแข็งตัวหากได้รับความร้อนที่เกิดจากการทำงานของบีม และ อาจทำให้บีมหยุดทำงานได้ ควรใช้น้ำยาแคลเซียม น้ำยาออกฤทธิ์ หรือ ผงละลายน้ำไอซาทานเป็นสารกำจัดโร
- เมื่อใช้ผงละลายน้ำหรือโพลิเมอร์ ควรละลายให้เข้ากันดีก่อนนำมา ใช้งาน
- ใช้ความระมัดระวังสูงสุดในขณะใช้งานสารเคมี หากสารเคมีสัมผัส ถูกร่างกาย ต้องล้างน้ำออกจนหมด
- เนื่องจากสารเคมีเหล่านี้เป็นอันตราย ปฏิบัติตามคำแนะนำของผู้ผลิต สารเคมีเสมอเมื่อต้องใช้งานสารเคมี
- ดูแผนภูมิข้างล่างสำหรับข้อมูลที่เป็นประโยชน์เกี่ยวกับอัตราส่วนในการเจือจางสารเคมี
- ในขณะที่จะใช้งานผงละลายน้ำ ฯลฯ ให้ละลายสารเคมีนั้นให้เข้ากันใน ภาชนะบรรจุ เช่น ถังน้ำ

น้ำ	อัตราส่วน	การละลายสารเคมี		
		500	1,000	2,000
4 ล.		8 มล.	4 มล.	2 มล.
6 ล.		12 มล.	6 มล.	3 มล.
8 ล.		16 มล.	8 มล.	4 มล.
10 ล.		20 มล.	10 มล.	5 มล.
12 ล.		24 มล.	12 มล.	6 มล.
15 ล.		30 มล.	15 มล.	7.5 มล.

การเติมน้ำยาเคมี

⚠ คำเตือน:

- เมื่อมีการเปลี่ยนน้ำยาเคมี ให้ตรวจสอบอย่างละเอียดว่าได้ล้างถัง บีม หัวฉีด ฯลฯ ด้วยน้ำสะอาดแล้ว เศษที่ตกค้างจากน้ำยาเคมีเดิมอาจทำให้ผู้ใช้ได้รับอันตรายจากการพ่นยา นอกจากนี้ หากเป็นสารเคมีผสม การเปลี่ยนแปลงสารเคมีที่เกิดขึ้นอาจก่อให้เกิดอันตรายจากแก๊สพิษได้
- อย่าลืมนวมถุงมือป้องกัน
- อย่าเปลี่ยนน้ำยาเคมีในสถานที่ที่มีการระบายอากาศไม่ดี (ป้องกันการใช้รีไซเคิลจากสารเคมี)

ตรวจสอบให้แน่ใจว่าได้ปิดสวิตช์เครื่องพ่นยา และเติมน้ำยาเคมีที่ผสมแล้วลงในถังน้ำยา

ในขณะที่เติมน้ำยาเคมีลงในถัง ให้กรองสารเคมีผ่านตัวกรองที่ติดตั้งมาทั้งถังน้ำยาทุกครั้ง

ด้านข้างของถังน้ำยาจะมีเครื่องหมายแสดงระดับ ดังนั้นควรใช้เครื่องหมายดังกล่าวเป็นแนวทางในการทำงาน ปิดฝาถังน้ำยาเคมีให้สนิทเพื่อป้องกันการรั่วไหล

การปรับความยาวของสายรัดด้านหลัง

ปรับความยาวของสายรัดด้านหลังให้เครื่องพ่นยาอยู่ใกล้ตัวในตำแหน่งที่เหมาะสมที่สุด

การปรับสายรัดให้ยาวขึ้น

- (1) ยกหัวเข็มขัดขึ้น
- (2) ดึงเข็มขัดด้านข้างที่เชื่อมต่อกับเครื่องพ่นยา (ภาพที่ 6)

การปรับสายรัดให้สั้นลง

ดึงเข็มขัดด้านที่ไม่เชื่อมต่อกับสิ่งใด (ภาพที่ 7)

หมายเหตุ:

เมื่อทำการปรับสายรัดให้สั้นลง สายรัดจะเลื่อนได้ง่ายขึ้นหากไม่มีกาวถ่วงน้ำหนักที่สายรัด

การดูแลรักษา

⚠ ข้อควรระวัง:

- ตรวจสอบว่าปิดสวิตช์เครื่องและถอดด้ามแบตเตอรี่ออกแล้วก่อนทำการตรวจสอบหรือดูแลรักษาเครื่อง
- สำหรับการตรวจสอบและการดูแลรักษา ให้สวมถุงมือป้องกันทุกครั้ง

การดูแลรักษาหลังจากการใช้งาน

- หลังจากการใช้งาน ให้นำน้ำยาที่เหลือออกจากถังน้ำยา และล้างสารเคมีที่ติดแน่นออกให้หมดจากด้านในถังโดยใช้น้ำสะอาด
- ในตอนนี้ให้เติมน้ำสะอาดลงในถังน้ำยา และใช้งานเครื่องพ่นยาประมาณ 2 ถึง 3 นาทีเพื่อล้างน้ำยาเคมีที่เหลือออกจากบีมสายพ่นยา หัวฉีด ฯลฯ
- นำน้ำยาที่ตกค้างอยู่ออกจากถังน้ำยาด้านใน ให้เปิดทำงานบีมอีกครั้ง และใช้งานเครื่องพ่นยาจนกว่าน้ำยาจะไม่มีไหลออกมาจากหัวฉีด จากนั้นให้ปิดสวิตช์เครื่องพ่นยา
- เช็ดคราบน้ำยาและสิ่งสกปรกออกจากอุปกรณ์ จากนั้นให้ตรวจสอบการชำรุดเสียหาย และกรวรั่วไหลต่างๆ

การตรวจสอบประจำวัน

- ก่อนการทำงาน ให้ตรวจสอบว่าตัวยึดหลวม และส่วนประกอบต่างๆ หายไปหรือไม่
- ตรวจสอบเพื่อให้แน่ใจว่าสายพ่นไม่มีรอยแตก ร้าว ซีกขาด และ/หรือชำรุดเสียหาย
- หลังจากการใช้งาน ให้ตรวจสอบทุกครั้งว่าได้เช็ดคราบสกปรกภายนอก ออกรวมถึงตรวจสอบการชำรุดเสียหาย และ/หรือการรั่วไหลต่างๆ

การทำความสะอาดตัวกรองเพื่อดูดซับน้ำ (ภาพที่ 8)

หลังจากการนำน้ำยาเคมีออกจากถัง ให้ถอดตัวกรองเพื่อดูดซับน้ำที่อยู่ด้านล่างถังน้ำยาออกเพื่อทำความสะอาด

การทำความสะอาดตัวกรองของคัณโยกเปิดปิด (ภาพที่ 9)

ถอดฝาครอบคัณโยกเปิดปิดออกและทำความสะอาดตัวกรอง

หมายเหตุ:

ตัวกรองเพื่อดูดซับน้ำ

- คือตัวกรองที่ใช้เพื่อป้องกันสิ่งสกปรกและฝุ่นผง (ที่ไหลผ่านตัวกรองของถังเข้าสู่ถังน้ำยา) ไม่ให้เข้าสู่บีม หากตัวกรองเพื่อดูดซับน้ำอุดตัน การพ่นยาจะด้อยประสิทธิภาพลง และอาจมีความเสี่ยงที่จะทำให้บีมได้รับผลกระทบอย่างรุนแรง

ตัวกรองของคัณโยกเปิดปิด

- การพ่นยาจะด้อยประสิทธิภาพลง หากตัวกรองของคัณโยกเปิดปิดอุดตัน

การเก็บรักษาเครื่องพ่นยา

- ล้างอุปกรณ์โดยใช้ขั้นตอนการดูแลรักษาหลังจากการใช้งาน
- โดยเฉพาะเมื่อทำการจัดเก็บเครื่องในฤดูหนาว เพราะอาจเกิดการแตกหรือรั่วซึมชำรุดเสียหายขึ้นเนื่องจากสารเคมีที่ตกค้าง และ/หรือน้ำที่ค้างภายในบีมแข็งตัว ให้เปิดใช้งานบีมจนกว่าน้ำยาที่ตกค้างทั้งหมดไหลออกมาจากหัวฉีด ตรวจสอบให้แน่ใจว่าไม่มีน้ำยาตกค้างอยู่ ปิดสวิตช์เครื่องพ่นยา แล้วนำเครื่องพ่นยาไปจัดเก็บไว้

⚠ ข้อควรระวัง:

จัดเก็บเครื่องพ่นยาให้อยู่ห่างจากมือเด็ก ภายในอาคารที่ไม่กลายเป็นน้ำแข็ง ไม่ถูกแสงแดดโดยตรง และมีระบบระบายอากาศที่ดี

- ใช้ความระมัดระวังในการจัดเก็บเครื่องพ่นยา เนื่องจากในบางกรณี ชิ้นส่วนที่เป็นพลาสติกจะเสื่อมสภาพอย่างชัดเจน หากทิ้งไว้ให้ถูกแสงแดดโดยตรงต่อเนื่องเป็นเวลานาน นอกจากนี้บีมค่าเดือนของผลิตภัณฑ์จะมีสีซีดจางและ/หรือหลุดลอกออกมา

คำแนะนำที่เป็นประโยชน์

ตัวยึดท่อพ่นยา

ตรวจสอบว่าได้ประกอบตัวยึดในตำแหน่งที่ถูกต้อง (ภาพที่ 10)

หมายเหตุ:

- ในกรณีของการจัดเตรียมส่วนประกอบ อาจต้องใช้แรงในขั้นตอนของการประกอบชิ้นส่วน แต่ต้องใช้ความระมัดระวังไม่ทำให้ท่อพ่นยาโค้งงอ ใช้ตัวยึดในขณะที่หยุดพัก การเติมน้ำยาเคมี และในการจัดเก็บ ฯลฯ (ภาพที่ 11)

เฉพาะรุ่น BVF154 เท่านั้น (ภาพที่ 12)

แท่งสำหรับตัดยี่ดิ่งห้าขา (ภาพที่ 13)

แท่งสำหรับตัดยี่ดิ่งทำหน้าที่เป็นตัวยึดหัวควรวสำหรับฝาปิดตั้งห้าขา ดังนั้นโปรดอย่าปิดไว้บนแท่ง

ตัวกรองของถังน้ำยา

เราสามารถทำงานโดยไม่ต้องใช้มือได้ด้วยการใช้สายพ่นยาเข้าไปใน ส่วนที่เป็นร่องในตัวกรองของถังน้ำยา (ภาพที่ 14)

โรคสำคัญเกี่ยวกับพิษและศัตรูพืช

ปฏิบัติตามคำแนะนำของผู้ผลิตสารเคมีเสมอเมื่อต้องใช้งานสารเคมี ละลายน้ำยาเคมีให้เข้ากันดีก่อนนำมาใช้งาน

สิ่งที่ควรทำเมื่อคุณคิดว่าเครื่องชำรุดเสียหาย

ก่อนที่จะส่งอุปกรณ์ไปซ่อมแซม ให้ตรวจสอบด้วยตัวคุณเองก่อน หากคุณ พบปัญหาที่ไม่มีรายละเอียดในคู่มือ อย่าเพิ่งรีบร้อนแยกชิ้นส่วนของ เครื่องพ่นยาออกมา คุณควรขอให้ศูนย์บริการที่ได้รับอนุญาตของ Makita ทำการซ่อมแซมโดยใช้ชิ้นส่วนของแท้ของ Makita เสมอ

สถานที่ผิดปกติ	สาเหตุ	การทำงาน	
มอเตอร์ (ปั๊ม) จะไม่ทำงาน	ปิดสวิตช์	สวิตช์ปิดอยู่	เปิดสวิตช์
	เปิดสวิตช์	ปัญหาของแบตเตอรี่ (แรงดันไฟฟ้าต่ำ)	ชาร์จใหม่ หากการชาร์จใหม่ไม่ได้ผล ให้เปลี่ยน แบตเตอรี่
		หัวต่อสายไฟถูกถอดออก	ร้องขอให้ทำการยกเครื่อง
		สายไฟชำรุดเสียหาย	ร้องขอให้ทำการยกเครื่อง
		สวิตช์ชำรุดเสียหาย	ร้องขอให้ทำการยกเครื่อง
		มอเตอร์ชำรุดเสียหาย	ร้องขอให้ทำการยกเครื่อง
		ฟิวส์ไหม้	ร้องขอให้ทำการยกเครื่อง
ปั๊มทำงานแต่น้ำยาไม่ไหลออกมา	หัวฉีดอุดตัน	ทำความสะอาดหรือเปลี่ยนใหม่	
	ไม่มีน้ำยาในถังน้ำยา	เติมน้ำยา	
	รูพ่นสำหรับฝาปิดตั้งน้ำยาอุดตัน	ทำความสะอาด	
	ท่อพ่นยาอุดตัน	ร้องขอให้ทำการยกเครื่อง	
	ท่อพ่นยาแตกหักหรือมีรอยรั่ว	ร้องขอให้ทำการยกเครื่อง	
	ท่อพ่นยาลุดออกมาหรือแตกหัก	ร้องขอให้ทำการยกเครื่อง	
	ตัวกรองเพื่อดูดซับน้ำอุดตัน	ถอดออกมาทำความสะอาด	
เครื่องพ่นยาสามารถพ่นยาได้แต่มีความผิดปกติหรือแรงดันในการพ่นยา อ่อน	รูพ่นสำหรับฝาปิดตั้งน้ำยาอุดตัน	ทำความสะอาด	
	ท่อพ่นยาอุดตัน	ร้องขอให้ทำการยกเครื่อง	
	ท่อพ่นยาแตกหักหรือมีรอยรั่ว	ร้องขอให้ทำการยกเครื่อง	
	ท่อพ่นยาลุดออกมาหรือแตกหัก	ร้องขอให้ทำการยกเครื่อง	
	ตัวกรองเพื่อดูดซับน้ำอุดตัน	ถอดออกมาทำความสะอาด	
	ตัวกรองของคันโยกเปิดปิดอุดตัน	ถอดออกมาทำความสะอาด	
	อุปกรณ์ควบคุมแรงดันทำงานผิดปกติ	ร้องขอให้ทำการยกเครื่อง	
กระปุกเฟืองเกียร์จึกขาด	ร้องขอให้ทำการยกเครื่อง		
มีเสียงแปลกๆ เกิดขึ้นเมื่อเปิดสวิตช์	อุปกรณ์เชื่อมต่อที่ขับเคลื่อนปั๊มชำรุดเสียหาย	ร้องขอให้ทำการยกเครื่อง	
	หัวฉีดอุดตัน	ทำความสะอาดหรือเปลี่ยนใหม่	
เมื่อทั้งเครื่องพ่นยาให้หลังจากปิดสวิตช์ น้ำยาปริมาณมากไหลออกมา จากหัวฉีด	คันโยกเปิดปิดถูกตั้งค่าให้พ่นยาอย่างต่อเนื่อง	ตั้งค่าคันโยกเปิดปิดไปที่หยุด	

เพื่อดูแลให้ผลิตภัณฑ์มีความปลอดภัยและไว้วางใจได้ ควรนำส่ง ผลิตภัณฑ์ให้แก่ศูนย์บริการที่ได้รับอนุญาตของ Makita ดำเนินการ ซ่อมแซม ดูแลรักษา หรือเปลี่ยนอะไหล่ และใช้อะไหล่แท้ของ Makita เท่านั้น

อุปกรณ์เสริม

⚠️ ข้อควรระวัง:

- ขอแนะนำให้อุปกรณ์เสริมหรือส่วนประกอบเหล่านี้กับเครื่องมือ Makita ของคุณตามที่ระบุในคู่มือนี้ การใช้อุปกรณ์เสริมหรือ

ส่วนประกอบอื่นอาจทำให้ผู้ใช้ได้รับบาดเจ็บ ใช้อุปกรณ์เสริมหรือ
ส่วนประกอบตามที่ระบุไว้เท่านั้น

หากคุณต้องการทราบรายละเอียดเพิ่มเติมเกี่ยวกับอุปกรณ์เสริมดังกล่าว
โปรดสอบถามศูนย์บริการของ Makita ในพื้นที่ของคุณ

- หัวฉีดประเภทต่างๆ
- แบตเตอรี่และแท่นชาร์จของแท้ของ Makita ในประเภทต่างๆ

Makita Corporation
Anjo, Aichi, Japan

www.makita.com

6959507500

ALA

Download from Www.Somanuals.com. All Manuals Search And Download.

Free Manuals Download Website

<http://myh66.com>

<http://usermanuals.us>

<http://www.somanuals.com>

<http://www.4manuals.cc>

<http://www.manual-lib.com>

<http://www.404manual.com>

<http://www.luxmanual.com>

<http://aubethermostatmanual.com>

Golf course search by state

<http://golfingnear.com>

Email search by domain

<http://emailbydomain.com>

Auto manuals search

<http://auto.somanuals.com>

TV manuals search

<http://tv.somanuals.com>