

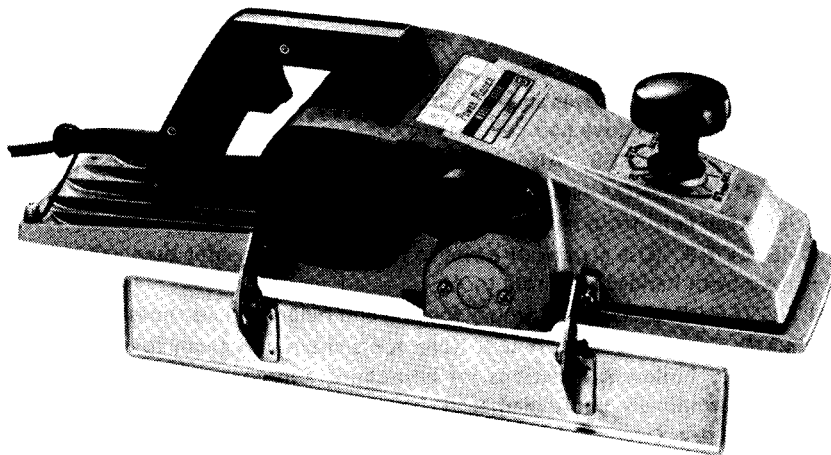


Makita Power Planer

155 mm (6 1/8") MODEL 1805B

アメリカ

INSTRUCTION MANUAL



 **DOUBLE
INSULATION**

SPECIFICATIONS

| Planing width | Planing depth | AMPS (115 V) | No load speed | Overall length | Net weight | Power supply cord |
|-----------------|---------------|--------------|---------------|------------------|-----------------|-------------------|
| 155 mm (6-1/8") | 2 mm (5/64") | 10.5 A | 15,000 R/min. | 529 mm (20-7/8") | 8 kg (17.6 lbs) | 5 m (16.4 ft.) |

* Manufacturer reserves the right to change specifications of parts and accessories without notice.

* Note: Specifications of parts and accessories may differ from country to country.

IMPORTANT SAFETY INSTRUCTIONS

WARNING: When using electric tools, basic safety precautions should always be followed to reduce the risk of fire, electric shock, and personal injury, including the following:

READ ALL INSTRUCTIONS.

1. **KEEP WORK AREA CLEAN.** Cluttered areas and benches invite injuries.
2. **CONSIDER WORK AREA ENVIRONMENT.** Don't use power tools in damp or wet locations. Keep work area well lit. Don't expose power tools to rain. Don't use tool in presence of flammable liquids or gases.
3. **KEEP CHILDREN AWAY.** All visitors should be kept away from work area. Don't let visitors contact tool or extension cord.
4. **STORE IDLE TOOLS.** When not in use, tools should be stored in dry, and high or locked-up place – out of reach of children.
5. **DON'T FORCE TOOL.** It will do the job better and safer at the rate for which it was intended.
6. **USE RIGHT TOOL.** Don't force small tool or attachment to do the job of a heavy-duty tool. Don't use tool for purpose not intended.
7. **DRESS PROPERLY.** Don't wear loose clothing or jewelry. They can be caught in moving parts. Rubber gloves and non-skid footwear are recommended when working outdoors. Wear protective hair covering to contain long hair.
8. **USE SAFETY GLASSES.** Also use face or dust mask if cutting operation is dusty.
9. **DON'T ABUSE CORD.** Never carry tool by cord or yank it to disconnect from receptacle. Keep cord from heat, oil, and sharp edges.
10. **SECURE WORK.** Use clamps or a vise to hold work. It's safer than using your hand and it frees both hands to operate tool.
11. **DON'T OVERREACH.** Keep proper footing and balance at all times.
12. **MAINTAIN TOOLS WITH CARE.** Keep tools sharp and clean for better and safer performance. Follow instructions for lubricating and changing accessories. Inspect tool cords periodically and if damaged, have repaired by authorized service facility. Keep handles dry, clean, and free from oil and grease.
13. **DISCONNECT TOOLS.** When not in use, before servicing, and when changing accessories, such as blades, bits, cutters.
14. **REMOVE ADJUSTING KEYS AND WRENCHES.** Form habit of checking to see that keys and adjusting wrenches are removed from tool before turning it on.
15. **AVOID UNINTENTIONAL STARTING.** Don't carry plugged-in tool with finger on switch. Be sure switch is OFF when plugging in.
16. **OUTDOOR USE EXTENSION CORDS.** When tool is used outdoors, use only extension cords intended for use outdoors and so marked.
17. **STAY ALERT.** Watch what you are doing, use common sense. Don't operate tool when you are tired.
18. **CHECK DAMAGED PARTS.** Before further use of the tool, a guard or other part that is damaged should be carefully checked to determine that it will operate properly and perform its intended function. Check for alignment of moving parts, binding

of moving parts, breakage of parts, mounting, and other conditions that may affect its operation. A guard or other part that is damaged should be properly repaired or replaced by an authorized service center unless otherwise indicated elsewhere in this instruction manual. Have defective switches replaced by authorized service center. Don't use tool if switch does not turn it on and off.

19. **GUARD AGAINST ELECTRIC SHOCK.** Prevent body contact with grounded surfaces. For example; pipes, radiators, ranges, refrigerator enclosures.

20. **REPLACEMENT PARTS.** When servicing, use only identical replacement parts.

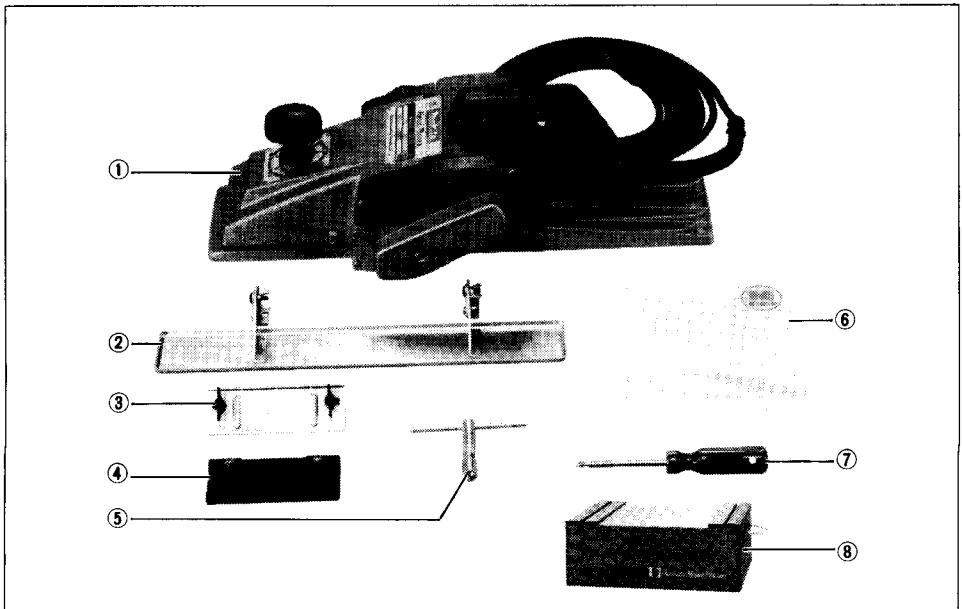
SAVE THESE INSTRUCTIONS.

Additional Planer Safety Rules

1. Be sure the cutter blade installation bolts are securely tightened before operating.
2. DO not hold housings. Keep hands clear of blades below.

VOLTAGE WARNING: Before connecting the tool to a power source (receptacle, outlet, etc.) be sure the voltage supplied is the same as that specified on the nameplate of the tool. A power source with voltage greater than that specified for the tool can result in **SERIOUS INJURY** to the user — as well as damage to the tool. If in doubt, **DO NOT PLUG IN THE TOOL.** Using a power source with voltage less than the nameplate rating is harmful to the motor.

Power Planer & Standard Equipment



- ① Tool body
- ② Bevel guide
- ③ Sharpening holder
- ④ Blade gauge

- ⑤ Socket wrench
- ⑥ Tool Case
- ⑦ (+) Screwdriver
- ⑧ Wooden carrying case

HOW TO USE

1. Planing depth (cutting volume) may be adjusted as desired by simply turning the knob (front grip) on the front of the power planer.

2. To start the tool, simply pull the trigger. Release the trigger to stop. For continuous operation, just pull the trigger and then push in the lock button with your thumb. To stop the tool from the lock position, just pull the trigger again and release it.

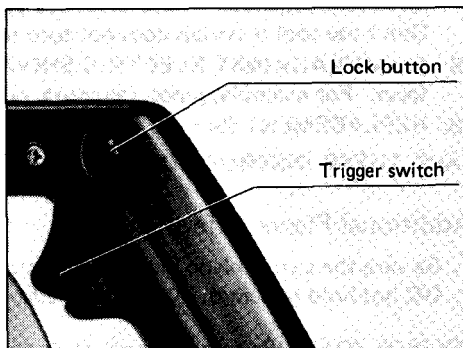


Fig. 1

3. After you switch on the tool by pulling the trigger, wait until the planer is running at top speed before bringing it into contact with the wood. Planing will be easier if you incline the workpiece in stationary fashion, so that you can plane somewhat downhill.

4. Starting & Finishing Planing Work

First, rest the tool front shoe flat upon the work surface. Switch on, then move the planer gently forward. Apply pressure on front of tool at start of planing, and at the back at the end of planing. (See photo)

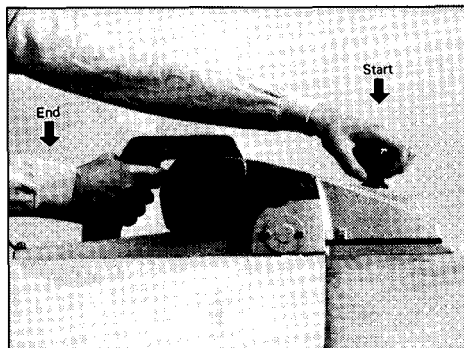


Fig. 2

5. For Fine Finishes

The speed and volume of planing determine the kind of finish. The power planer keeps cutting at a speed that will not result in jamming by chips. For rough cutting, the volume is upped, while for a good finish you should but less and advance the tool more slowly.

REPLACING OR INSTALLING PLANER BLADES

After unplugging the tool, you may remove the planer blades on the tool drum by unscrewing the four installation bolts with the socket wrench provided. The clamp plate comes off together with the blades.

(See Photo)

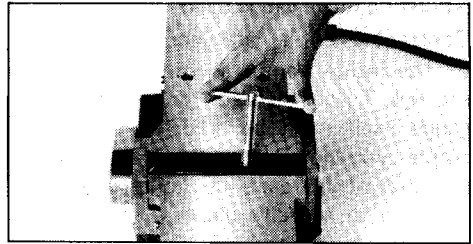


Fig. 3

When you install new or sharpened blades, first clean out all chips or foreign matter adhering to the drum or blades. Use blades of the same dimensions and weight, or drum oscillation/vibration will result, causing poor planing action and, eventually, tool breakdown.

Screw the blade onto the adjust plate, slip it into the groove on the drum, then fit the blade clamp on over it. Fasten with hex flange hd. bolt. See right diagram.

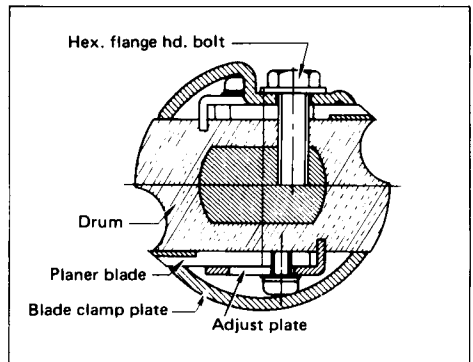


Fig. 4

Caution: Tighten carefully the cutter blade installation bolts when attaching cutter blades to the planer. A loose installation bolt can be dangerous. Always check to see they are tightened securely.

Using blade gauge for even blade setting

Although the blade protrusion for desired cutting depth is easily obtained by turning the front knob, the setting of the blade itself in relation to the work may require adjustment. This is done conveniently with the blade gauge provided.

First, remove the blade from the tool by unscrewing the hex bolts. Now, set the blade on the gauge blade so that the cutting edge is completely flush with the inside flank of the gauge. Loosen the screws on the adjust plate (if they are not already so) and use the back of side plate to push the heel of the planer blade into full contact with the gauge inside flank. Holding it thus, tighten the 2 screws on the adjust plate. This insures that your blade tip will be set properly when remounted in the tool for perfectly even planing.

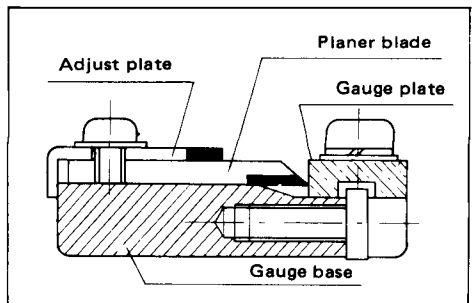


Fig. 5

Adjusting blade gauge itself

Constant use of a blade gauge leads to wear on the inside flank, resulting in improper settings. To compensate for this, the blade gauge itself must be adjusted. If, for example, you notice that the blade is below the level of the rear shoe, you probably are not able to actually plane — so the blade must protrude more. But, if turning the depth knob all the way fails to make the blade protrude sufficiently for planing,

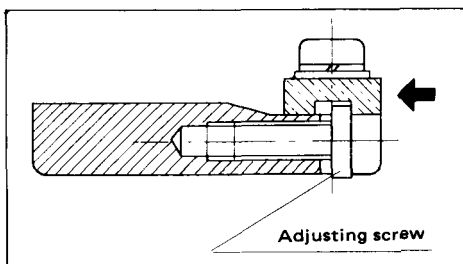


Fig. 6

then you have to adjust the blade gauge itself. Loosen the adjusting screws set into the blade gauge, turning them to the left until their heads contact the inner walls of the inside notches. (See Fig. 5, 6.) If you need more leeway for adjustment than the space provided by the notch, loosen the gauge plate installation screws on top to move the gauge plate as required. After adjusting the gauge plate for correct blade settings, secure the top screws and inside adjusting screws.

Note: Do not turn the adjusting screws except at the time of this adjustment.

FOR THE CORRECT PLANER BLADE SETTING (ALL MODELS)

Your planing surface will end up unsmooth and not level, unless the blade is set properly and securely. The blade must be mounted so that the cutting edge is absolutely level, that is, parallel to the surface of the rear base. Below are some examples of proper and improper settings.

- (A) Front base (Movable shoe)
- (B) Rear base (Stationary shoe)

| | | |
|------------------|--|--|
| Correct setting | | Although this side view cannot show it, the edges of the blades run perfectly parallel to the rear base surface. |
| Nicks in surface | | Cause: One or both blades fails to have edge parallel to rear base line. |
| Gouging at start | | Cause: One or both blade edges fails to protrude enough in relation to rear base line. |
| Gouging at end | | Cause: One or both blade edges protrudes too far in relation to rear base line. |

SHARPENING PLANER BLADES

Although a power planer considerably outperforms an ordinary hand plane, by the same token the blades become dull faster. Always keep your blades sharp for the best performance possible. Use the sharpening holder (photo) to remove nicks and produce a fine edge.

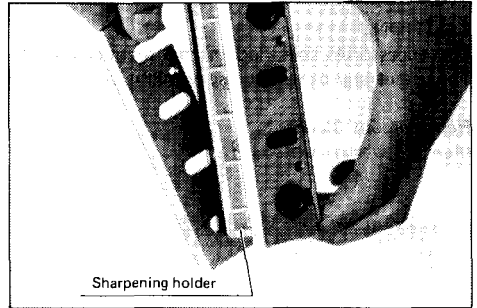


Fig. 7

First, loosen the 2 wing nuts on the holder and insert blades A and B as in figure at right, so that they contact side C and D. Then tighten wing nuts.

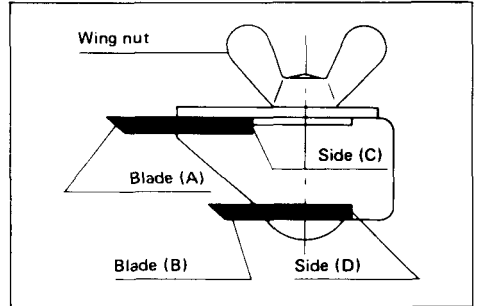


Fig. 8

Immerse dressing stone in water for 2 or 3 minutes before sharpening. Hold the holder so that blades both contact the dressing stone for simultaneous sharpening at the same angle. Stock removal is possible up to 7.5 mm (5/16"). Blades may be used down to 24.5 mm (1").

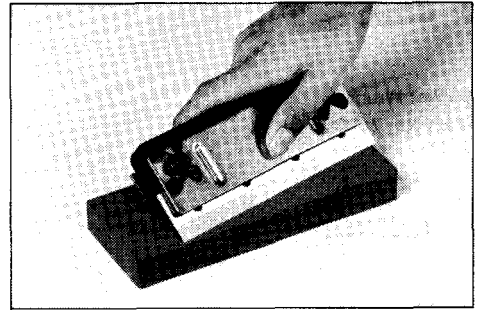


Fig. 9

MAINTENANCE

• Carbon brushes

Replace carbon brushes when they wear down to about 6 mm (1/4") or sparking will occur. Both brushes should be changed at the same time.

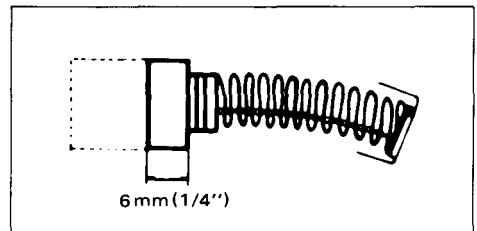


Fig. 10

ACCESSORIES

CAUTION:

The accessories specified in this manual are recommended for use with your Makita Power Planer. The use of any other accessory might be hazardous.

Replacement Blades

(Part No. 731010-3)



Planer Blades

(Material : Tungsten-carbide)

(Part No. 731204-0)



Sharpening Holder

(Part No. 123006-2)



Dressing Stone

(Part No. 741801-4)



Blade Gauge

(Part No. 123009-6)



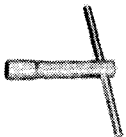
Bevel Guide

(Part No. 123053-3)



Socket Wrench

(Part No. 782209-3)



(+) Screwdriver

(Part No. 783002-8)



Tool Case

(Part No. 824001-2)



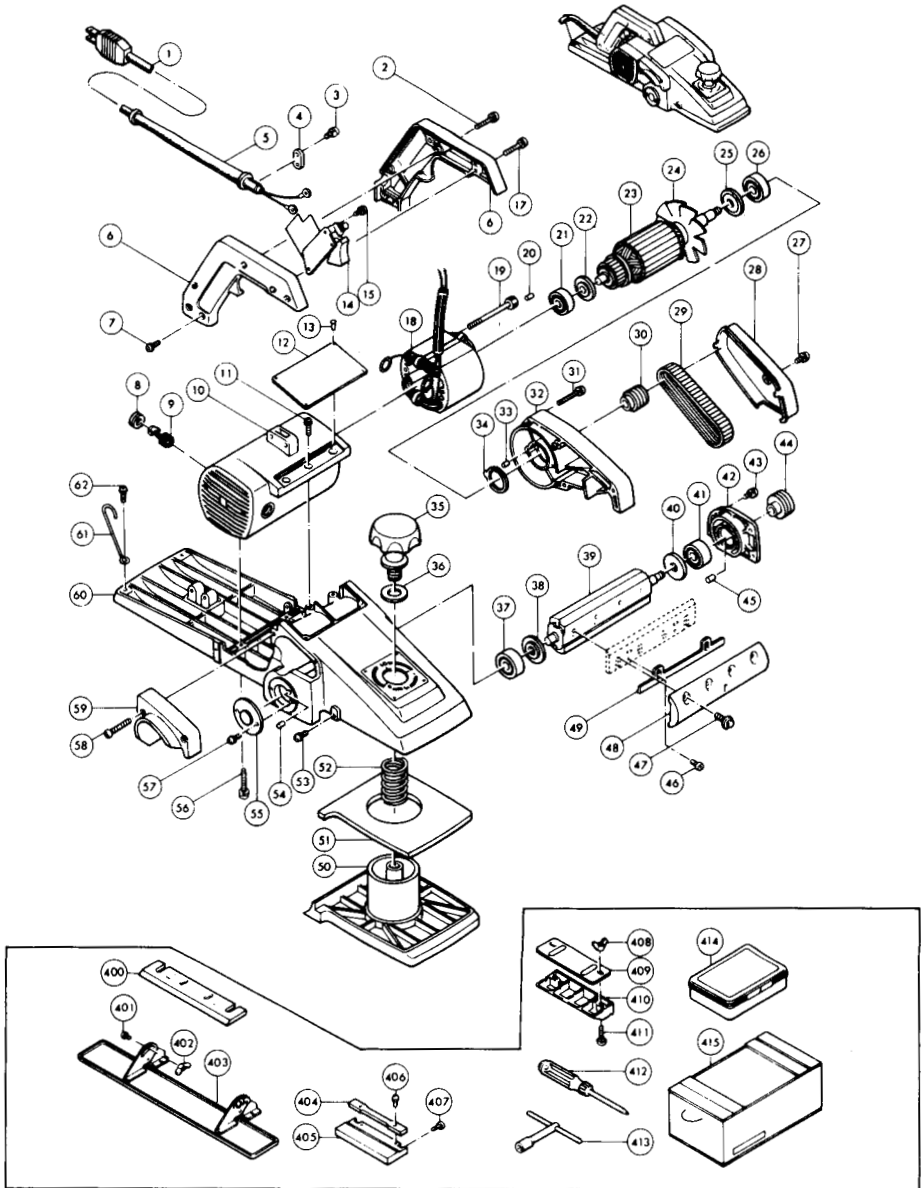
Wooden Carrying Case

(Part No. 821087-7)





155 mm (6 1/8") POWER PLANER Model 1805B



Note: The switch, noise suppressor, plug and other part configurations may differ from country to country.

| ITEM NO. | NO. USED | DESCRIPTION | ITEM NO. | NO. USED | DESCRIPTION |
|--|----------|--|---|----------|---------------------------------|
| MACHINE | | | MACHINE | | |
| 1 | 1 | CORD ASSEMBLY (Assembled Cord, Plug & Cord Guard) | 42 | 1 | Drum Housing |
| 2 | 2 | P. H. Screw M4x30 (With Washer) | 43 | 4 | P. H. Screw M4x14 (With Washer) |
| 3 | 2 | P. H. Screw M4x18 (With Washer) | 44 | 1 | V-Pulley 6-30 |
| 4 | 1 | Strain Relief | 45 | 1 | Rubber Pin 6 |
| 5 | 1 | Cord Guard | 46 | 4 | P. H. Screw M4x5 (With Washer) |
| 6 | 1 | Handle Set | 47 | 8 | H. F. H. Bolt M6x17 |
| 7 | 4 | P. H. Screw M5x12 (With Washer) | 48 | 2 | Drum Plate |
| 8 | 2 | Brush Holder Cap | 49 | 2 | Adjusting Plate |
| 9 | 2 | Carbon Brush | 50 | 1 | Front Base |
| 10 | 1 | Motor Housing (With Brush Holder x 2 & S. Screw M5x8 x 2) | 51 | 1 | Rubber Packing |
| 11 | 3 | P. H. Screw M5x18 (With Washer) | 52 | 1 | Compression Spring 24 |
| 12 | 1 | Name Plate | 53 | 2 | P. H. Screw M5x8 (With Washer) |
| 13 | 4 | Rivet 0-5 | 54 | 1 | Rubber Pin 4 |
| 14 | 1 | Switch | 55 | 1 | Bearing Cover 38 |
| 15 | 2 | P. H. Screw M4x6 (With Washer) | 56 | 2 | P. H. Screw M5x35 (With Washer) |
| 17 | 2 | P. H. Screw M5x30 (With Washer) | 57 | 2 | P. H. Screw M5x10 (With Washer) |
| 18 | 1 | FIELD ASSEMBLY (With Garter Spring x 2) | 58 | 2 | P. H. Screw M4x30 (With Washer) |
| 19 | 2 | H. Bolt M5x75 (With Washer) | 59 | 1 | Chip Cover |
| 20 | 1 | Rubber Pin 4 | 60 | 1 | Main Frame |
| 21 | 1 | Ball Bearing 6200LLB | 61 | 1 | Holder |
| 22 | 1 | Insulation Washer | 62 | 1 | P. H. Screw M6x16 (With Washer) |
| 23 | 1 | ARMATURE ASSEMBLY (Assembled Items 21 - 26) | ACCESSORIES | | |
| 24 | 1 | Fan 80 | 400 | 2 | Planer Blade 155 |
| 25 | 1 | Dust Seal 12 | GUIDE RULE ASSEMBLY (Assembled Items 401 - 403) | | |
| 26 | 1 | Ball Bearing 6201LLB | 401 | 2 | C. S. N. Bolt M5x12 |
| 27 | 1 | P. H. Screw M5x10 (With Washer) | 402 | 2 | W. Nut M5 |
| 28 | 1 | Belt Cover | 403 | 1 | Guide Rule |
| 29 | 1 | Poly V-Belt 6-304 | BLADE GAUGE ASSEMBLY (Assembled Items 404 - 407) | | |
| 30 | 1 | V-Pulley 6-23L | 404 | 1 | Gauge Plate |
| 31 | 5 | P. H. Screw M5x40 (With Washer) | 405 | 1 | Gauge Base |
| 32 | 1 | Bracket | 406 | 2 | P. H. Screw M5x14 (With Washer) |
| 33 | 1 | Rubber Pin 6 | 407 | 2 | Screw M5x13 |
| 34 | 1 | Washer 26 | SHARPENING HOLDER ASSEMBLY (Assembled Items 408 - 411) | | |
| 35 | 1 | Adjusting Knob 64 | 408 | 2 | W. Nut M6 |
| 36 | 1 | F. Washer 13 | 409 | 1 | Pressure Plate |
| 37 | 1 | Ball Bearing 6200ZZ | 410 | 1 | Sharpening Holder |
| 38 | 1 | Washer 10 | 411 | 2 | C. S. N. Bolt M6x30 |
| DRUM ASSEMBLY (Assembled Items 37 - 41 & 46 - 49) | | | 412 | 1 | Screwdriver |
| 39 | 1 | Drum | 413 | 1 | Socket Wrench 9 |
| 40 | 1 | Washer 12 | 414 | 1 | Tool Case |
| 41 | 1 | Ball Bearing 6201ZZ | 415 | 1 | Wooden Carrying Case |

Note: The switch, noise suppressor, plug and other part specifications may differ from country to country.

アキバ

MAKITA LIMITED ONE YEAR WARRANTY

Warranty Policy

Every Makita tool is thoroughly inspected and tested before leaving the factory. It is warranted to be free of defects from workmanship and materials for the period of ONE YEAR from the date of original purchase. Should any trouble develop during this one-year period, return the COMPLETE tool, freight prepaid, to one of Makita's Factory or Authorized Service Centers. If inspection shows the trouble is caused by defective workmanship or material, Makita will repair (or at our option, replace) without charge.

This Warranty does not apply where:

- repairs have been made or attempted by others;
- repairs are required because of normal wear and tear;
- The tool has been abused, misused or improperly maintained;
- alterations have been made to the tool.

IN NO EVENT SHALL MAKITA BE LIABLE FOR ANY INDIRECT, INCIDENTAL OR CONSEQUENTIAL DAMAGES FROM THE SALE OR USE OF THE PRODUCT. THIS DISCLAIMER APPLIES BOTH DURING AND AFTER THE TERM OF THIS WARRANTY.

MAKITA DISCLAIMS LIABILITY FOR ANY IMPLIED WARRANTIES, INCLUDING IMPLIED WARRANTIES OF "MERCHANTABILITY" AND "FITNESS FOR A SPECIFIC PURPOSE," AFTER THE ONE-YEAR TERM OF THIS WARRANTY.

This Warranty gives you specific legal rights, and you may also have other rights which vary from state to state. Some states do not allow the exclusion or limitation of incidental or consequential damages, so the above limitation or exclusion may not apply to you. Some states do not allow limitation on how long an implied warranty lasts, so the above limitation may not apply to you.



Makita Electric Works, Ltd.

11-8, 3-chome, Sumiyoshi-cho, Anjo, Aichi 446, Japan

883004 - 067 C

PRINTED IN JAPAN

1985-11-N

Free Manuals Download Website

<http://myh66.com>

<http://usermanuals.us>

<http://www.somanuals.com>

<http://www.4manuals.cc>

<http://www.manual-lib.com>

<http://www.404manual.com>

<http://www.luxmanual.com>

<http://aubethermostatmanual.com>

Golf course search by state

<http://golfingnear.com>

Email search by domain

<http://emailbydomain.com>

Auto manuals search

<http://auto.somanuals.com>

TV manuals search

<http://tv.somanuals.com>