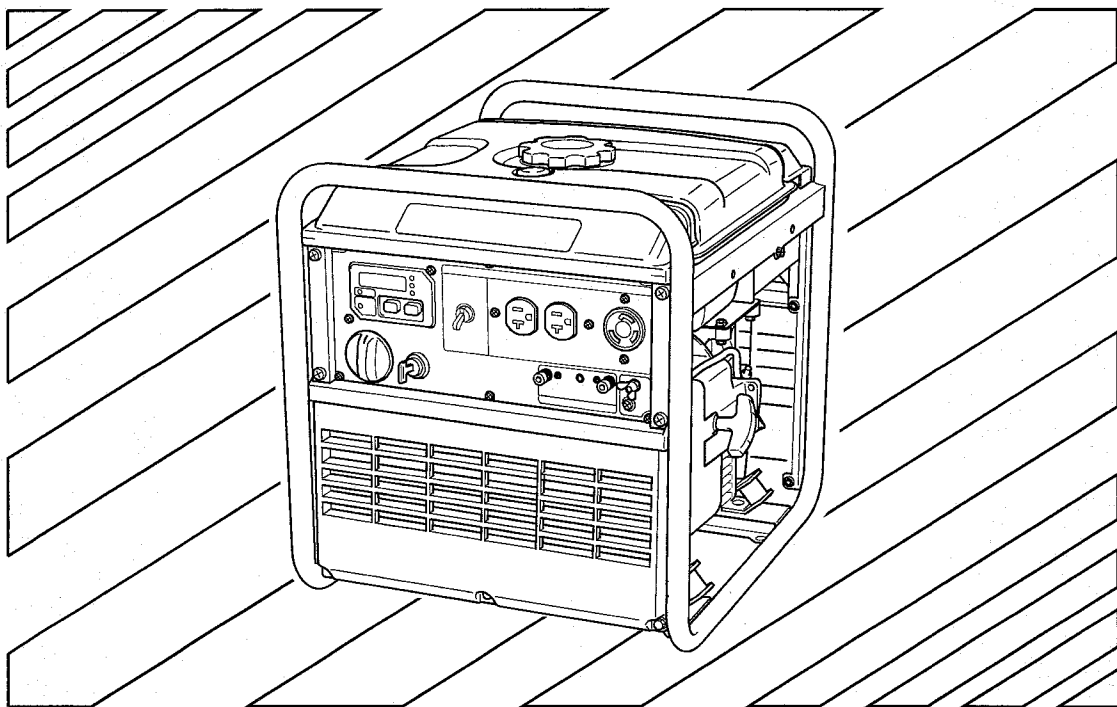


# ***Makita*** **GENERATOR**

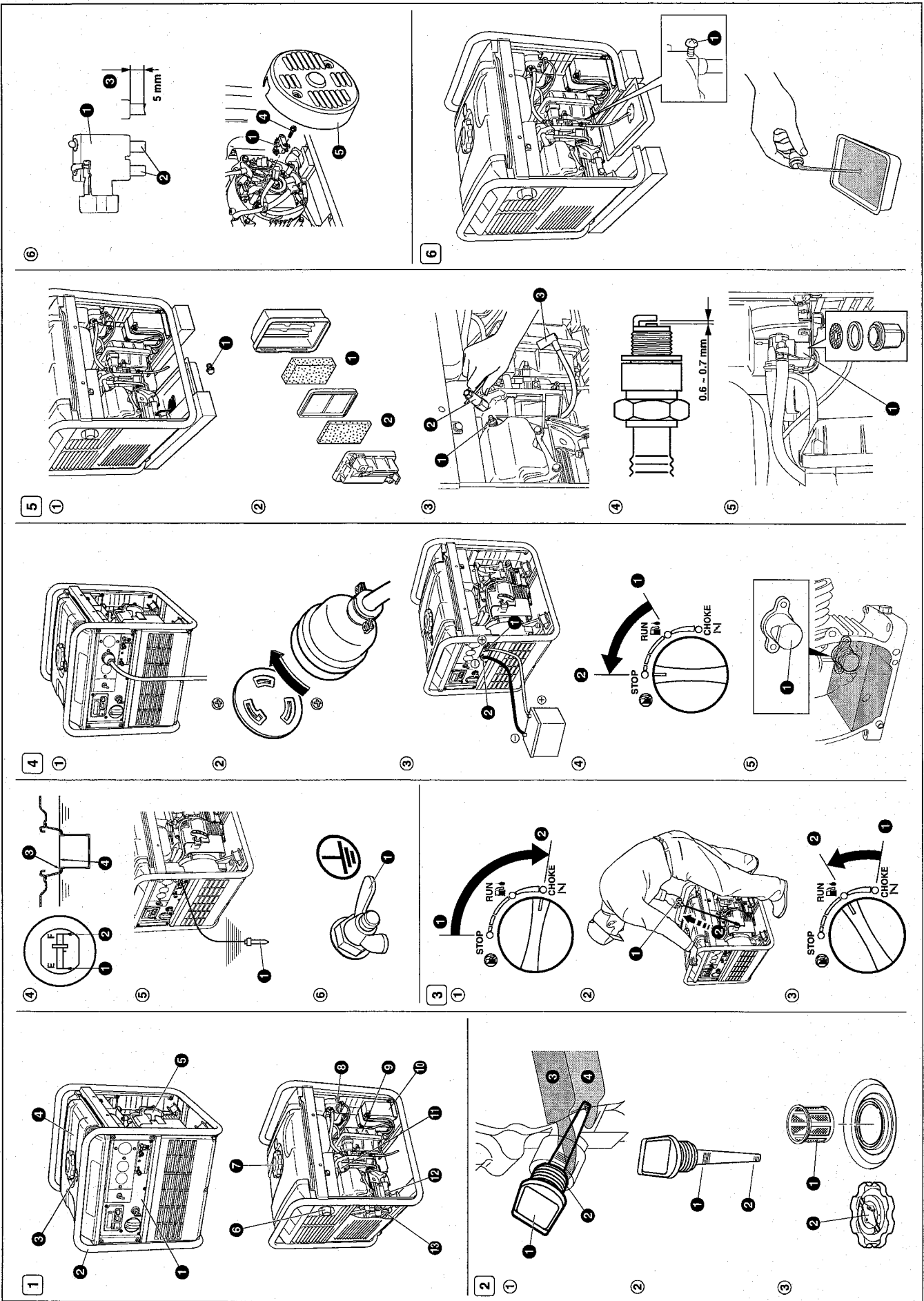
カナダ

MODEL  
**G2800N**  
**G3200N**  
**G4300N**



**INSTRUCTIONS FOR USE**  
**MANUEL D'UTILISATION**

**3ZZ9990115**



# FEDERAL EMISSIONS COMPONENT DEFECT WARRANTY

**EMISSIONS COMPONENT DEFECT WARRANTY COVERAGE** – This emission warranty is applicable in all States, except the State of California.

Makita U.S.A. Inc., La Mirada, California, (herein "MAKITA") warrant(s) to the initial retail purchaser and each subsequent owner, that this Nonroad engine (herein "engine") has been designed, built, and equipped to conform at the time of initial sale to all applicable regulations of the U.S. Environmental Protection Agency (EPA), and that the engine is free of defects in materials and workmanship which would cause this engine to fail to conform with EPA regulations during its warranty period.

For the components listed under PARTS COVERED, the Makita Factory Service Center or Service Center authorized by MAKITA will, at no cost to you, make the necessary diagnosis, repair, or replacement necessary to ensure that the engine complies with applicable U.S. EPA regulations.

## EMISSION COMPONENT DEFECT WARRANTY PERIOD

The warranty period for this engine begins on the date of sale to the initial purchaser and continues for a period of 2 years.

## PARTS COVERED

Listed below are the parts covered by the Emission Components Defect Warranty. Some of the parts listed below may require scheduled maintenance and are warranted up to the first scheduled replacement point for that part.

- (1) Fuel Metering System
  - (i) Carburetor and internal parts (and/or pressure regulator or fuel injection system).
  - (ii) Air/fuel ratio feedback and control system, if applicable.
  - (iii) Cold start enrichment system, if applicable.
  - (iv) Regulator assy (gaseous fuel, if applicable)
- (2) Air Induction System
  - (i) Intake manifold, if applicable
  - (ii) Air filter.
- (3) Ignition System
  - (i) Spark plugs.
  - (ii) Magneto or electronic ignition system.
  - (iii) Spark advance/retard system, if applicable.
- (4) Exhaust manifold, if applicable
- (5) Miscellaneous Items Used in Above Systems
  - (i) Electronic controls, if applicable
  - (ii) Hoses, belts, connectors, and assemblies.
  - (iii) Filter lock assy (gaseous fuel, if applicable)

## OBTAINING WARRANTY SERVICE

To obtain warranty service, take your engine to the nearest Makita Factory Service Center or Service Center authorized by MAKITA. Bring your sales receipts indicating date of purchase for this engine. The Makita Factory Service Center or Service Center authorized by MAKITA will perform the necessary repairs or adjustments within a reasonable amount of time and furnish you with a copy of the repair order. All parts and accessories replaced under this warranty become the property of MAKITA.

## WHAT IS NOT COVERED

\*Conditions resulting from tampering, misuse, improper adjustment (unless they were made by the Makita Factory Service Center or Service Center authorized by MAKITA during a warranty repair), alteration, accident, failure to use the recommended fuel and oil, or not performing required maintenance services.

\*The replacement parts used for required maintenance services.

\*Consequential damages such as loss of time, inconvenience, loss of use of the engine or equipment, etc.

\*Diagnosis and inspection charges that do not result in warranty-eligible service being performed.

\*Any non-authorized replacement part, or malfunction of authorized parts due to use of non-authorized parts.

## OWNER'S WARRANTY RESPONSIBILITIES

As the engine owner, you are responsible for the performance of the required maintenance listed in your owner's manual. MAKITA recommends that you retain all receipts covering maintenance on your engine, but MAKITA cannot deny warranty solely for the lack of receipts or for your failure to ensure the performance of all scheduled maintenance.

As the engine owner, you should however be aware that MAKITA may deny warranty coverage if your engine or a part has failed due to abuse, neglect, improper maintenance or unapproved modifications.

You are responsible for presenting your engine to the nearest Makita Factory Service Center or Service Center authorized by MAKITA when a problem exists.

If you have any questions regarding your warranty rights and responsibilities, you should contact the Makita Warranty Department at 1-800-4-MAKITA for the information.

## THINGS YOU SHOULD KNOW ABOUT THE EMISSION CONTROL SYSTEM WARRANTY MAINTENANCE AND REPAIRS

You are responsible for the proper maintenance of the engine. You should keep all receipts and maintenance records covering the performance of regular maintenance in the event questions arise. These receipts and maintenance records should be transferred to each subsequent owner of the engine. MAKITA reserves the right to deny warranty coverage if the engine has not been properly maintained. Warranty claims will not be denied, however, solely because of the lack of required maintenance or failure to keep maintenance records.

MAINTENANCE, REPLACEMENT OR REPAIR OF EMISSION CONTROL DEVICES AND SYSTEMS MAY BE PERFORMED BY ANY REPAIR ESTABLISHMENT OR INDIVIDUAL; HOWEVER, WARRANTY REPAIRS MUST BE PERFORMED BY THE MAKITA FACTORY SERVICE CENTER OR SERVICE CENTER AUTHORIZED BY MAKITA. THE USE OF PARTS THAT ARE NOT EQUIVALENT IN PERFORMANCE AND DURABILITY TO AUTHORIZED PARTS MAY IMPAIR THE EFFECTIVENESS OF THE EMISSION CONTROL SYSTEM AND MAY HAVE A BEARING ON THE OUTCOME OF A WARRANTY CLAIM.

If other than the parts authorized by MAKITA are used for maintenance replacements or for the repair of components affecting emission control, you should assure yourself that such parts are warranted by their manufacturer to be equivalent to the parts authorized by MAKITA in their performance and durability.

**HOW TO MAKE A CLAIM**

All repair qualifying under this limited warranty must be performed by a Makita Factory Service Center or Service Center authorized by MAKITA. In the event that any emission-related part is found to be defective during the warranty period, you shall notify Makita Warranty Department at 1-800-4-MAKITA and you will be advised of the appropriate warranty service dealer or service providers where the warranty repair can be performed.

**FACTORY SERVICE CENTERS IN CANADA****BRITISH COLUMBIA**

**RICHMOND**  
(Vancouver Regional Office)  
11771 Hammersmith Way, Richmond, V7A.5H6  
Tel. 1.800.663.0909 or 604.272.3104  
Fax.604.272.5416

**COQUITLAM**  
Unit 103, 2131 Hartley Avenue, Coquitlam, V3K.2Z3  
Tel. 604.525.7434 or 1.800.266.7738  
Fax.604.525.7435

**ALBERTA**

**CALGARY**  
#8-6115 Fourth Street S.E., Calgary, T2H.2H9  
Tel. 1.800.267.0445 or 403.243.3995  
Fax.403.287.3044

**EDMONTON**  
11614-149 Street, Edmonton, T5M.3R3  
Tel. 1.888.455.6644 or 780.455.6544  
Fax.780.451.4877

**SASKATCHEWAN**

**SASKATOON**  
206A-2750 Faithful Avenue, Saskatoon, S7K.6M6  
Tel. 1.888.931.0111 or 306.931.0111  
Fax.306.931.4574

**MANITOBA**

**WINNIPEG**  
1670 St. James Street, Winnipeg, R3H.0L3  
Tel. 1.800.550.5073 or 204.694.0402  
Fax.204.694.5782

**ONTARIO**

**LONDON**  
317 Adelaide Street S., Unit 117, London, N5Z.3L3  
Tel. 1.800.571.0899 or 519.686.3115  
Fax.519.686.4347

**MISSISSAUGA**  
6350 Tomken Road, Unit 8 Mississauga, L5T.1Y3  
Tel. 1.888.221.9811 or 905.670.7255  
Fax.905.670.0120

**OTTAWA (Nepean)**  
210 Colonnade Road S, Unit #10, Ottawa (Nepean),  
K2E.7L5  
Tel. 1.888.560.2214 or 613.224.5022/5088  
Fax.613.224.2360

**WHITBY**  
(Toronto Head Office)  
1950 Forbes Street, Whitby, L1N.7B7  
Tel. 1.800.263.3734 or 905.571.2200  
Fax.905.433.4779

**QUÉBEC**

**ST. LEONARD**  
(Montréal Bureau Régional)  
6389 Boul. Couture, St. Leonard, H1P.3J5  
Tél. 1.800.361.7049 or 514.323.1223  
Fax.514.323.7708

**VILLE ST. LAURENT**  
1140 Rue Bégin, Ville St. Laurent, H4R 1X1  
Tél. 1.888.745.5025 or 514.745.5025  
Fax.514.745.6141

**LES SAULES**  
1200 St. Jean Baptiste, Unit 106, Québec (Les Saules),  
G2E.5E8  
Tél. 1.800.663.5757 or 418.871.5720  
Fax.418.871.6684

**NOVA SCOTIA**

**DARTMOUTH**  
202 Brownlow Avenue, Dartmouth, B3B.1T5  
Tel. 1.888.625.4821 or 902.468.7064  
Fax.902.468.3551

# FOREWORD

Thank you very much for purchasing a **MAKITA GENERATOR**.

This manual covers operation and maintenance of the **MAKITA GENERATOR**.

This **MAKITA GENERATOR** can be used for general electrical equipments, appliances, lamps, tools as an AC power source. With regards to DC application, the terminals are used only for charging 12 volt battery. Never use this generator for any other purposes.

Please take a moment to familiarize yourself with the proper operation and maintenance procedures in order to maximize the safe and efficient use of this product.

Keep this owner's manual at hand, so that you can refer to it at any time.

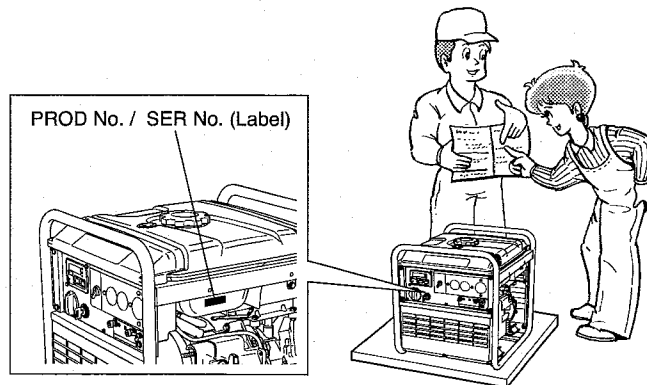
Due to constant efforts to improve our products, certain procedures and specifications are subject to change without notice.

When ordering spare parts, always give us the **MODEL, PRODUCTION NUMBER (PROD No.)** and **SERIAL NUMBER (SER No.)** of your Product.

Please fill in the following blanks after checking the production number on your product.  
(Location of label is different depending on the product model.)

PROD NO.									

SER NO.				



## CONTENTS

1. SAFETY PRECAUTIONS .....	2
2. COMPONENTS .....	5
3. PRE-OPERATION CHECKS .....	5
4. OPERATING PROCEDURES .....	6
5. WATTAGE INFORMATION .....	9
6. SPARK ARRESTER .....	11
7. MAINTENANCE SCHEDULE .....	12
8. "HOW-TO" MAINTENANCE .....	14
9. PERIODIC OPERATION AND INSPECTION .....	16
10. TRANSPORTING .....	16
11. PREPARATION FOR STORAGE .....	17
12. TROUBLESHOOTING .....	17
13. SPECIFICATIONS .....	18
14. WIRING DIAGRAM .....	19

**NOTE** Please refer to the illustrations on the back page of the front cover or back cover for Fig. ① to ⑥ indicated in the sentence.

# 1. SAFETY PRECAUTIONS

Please make sure you review each precaution carefully.

Pay special attention to statement preceded by the following words.

**⚠ WARNING** “WARNING” indicates a strong possibility of severe personal injury or loss of life if instructions are not followed.

**⚠ CAUTION** “CAUTION” indicates a possibility of personal injury or equipment damage if instructions are not followed.

**⚠ WARNING**

Do not operate the generator near gasoline or gaseous fuel because of the potential danger of explosion or fire.

Do not fill the fuel tank with fuel while the engine is running. Do not smoke or use open flame near the fuel tank. Be careful not to spill fuel during refueling. If fuel is spilt, wipe it off and let dry before starting the engine.



**⚠ WARNING**

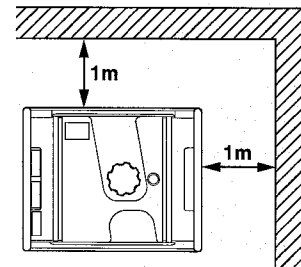
Do not place in flammables near the generator.

Be careful not to place fuel, matches, gunpowder, oily cloths, straw, trash, or any other in flammables near the generator.

**⚠ WARNING**

Do not operate the generator inside a room, cave, tunnel, or other insufficiently ventilated area. Always operate it in a well-ventilated area, otherwise the engine may become overheated, and the poisonous carbon monoxide gas contained in the exhaust gases will endanger human lives. Keep the generator at least 1 meter (3 feet) away from any structure or building during use.

If the generator must be used indoors, the area must be well-ventilated and extreme caution must be taken regarding the discharge of exhaust gases.



**⚠ WARNING**

Do not enclose the generator nor cover it with a box.

The generator has a built-in forced air cooling system, and may become overheated if it is enclosed.

If generator has been covered to protect it from the weather during non use, be sure to remove it and keep it well away from the area during generator use.

**⚠ WARNING**

Operate the generator on a level surface.

It is not necessary to prepare a special foundation for the generator.

However, the generator will vibrate on an irregular surface, so choose a level place without surface irregularities.

If the generator is tilted or moved during operation, fuel may spill and / or the generator may tip over, causing a hazardous situation.

Proper lubrication cannot be expected if the generator is operated on a steep incline or slope. In such a case, piston seizure may occur even if the oil is above the upper level.

**⚠ WARNING**

Pay attention to the wiring or extension cords from the generator to the connected device.

If the wire is under the generator or in contact with a vibrating part, it may break and possibly cause a fire, generator burnout, or electric shock hazard.

Replace damaged or worn cords immediately.



**⚠ WARNING**

Do not operate in rain, in wet or damp conditions, or with wet hands.  
The operator may suffer severe electric shock if the generator is wet due to rain or snow.

**⚠ WARNING**

If wet, wipe and dry it well before starting. Do not pour water directly over the generator, nor wash it with water.

**⚠ WARNING**

Be extremely careful that all necessary electrical grounding procedures are followed during each and every use. Failure to do so can be fatal.

**⚠ WARNING**

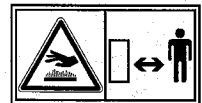
Do not contact the generator to a commercial power line. Connection to a commercial power line may short circuit the generator and ruin it or cause electric shock hazard. Use the transfer switch for connecting to domestic circuit.

**⚠ WARNING**

No smoking while handling the battery. The battery emits flammable hydrogen gas, which can explode if exposed to electric arcing or open flame. Keep the area well-ventilated and keep open flames/sparks away when handling the battery.

**⚠ WARNING**

Engine becomes extremely hot during and for some time after operation. Keep combustible materials well away from generator area. Be very careful not to touch any parts of the hot engine especially the muffler area or serious burns may result.

**⚠ WARNING**

Keep children and all bystanders at a safe distance from work areas.

**⚠ WARNING**

It is absolutely essential that you know the safe and proper use of the power tool or appliance that you intend to use. All operators must read, understand and follow the tool/appliance owners manual. Tool and appliance applications and limitations must be understood. Follow all directions given on labels and warnings. Keep all instruction manuals and literature in a safe place for future reference.

**⚠ WARNING**

Use only "LISTED" extension cords.  
When a tool or appliance is used outdoors, use only extension cords marked "For Outdoor Use". Extension cords, when not in use should be stored in a dry and well ventilated area.

**⚠ WARNING**

Always switch off generator's AC circuit breaker and disconnect tools or appliances when not in use, before servicing, adjusting, or installing accessories and attachments.

**⚠ CAUTION**

Make sure the engine is stopped before starting any maintenance, servicing or repair.

**NOTE :**

Make sure maintenance and repair of the generator set are performed by properly trained personnel only.

## Symbols and Meanings

In accordance with the European requirements (EEC Directives), the specified symbols as shown in the following table are used for the products and this instruction manual.

	Read the operator's instruction manual.		Fire, open light and smoking prohibited.
	Stay clear of the hot surface.		Caution, risk of electric shock.
	Exhaust gas is poisonous. Do not operate in an unventilated room.		Do not connect the generator to the commercial power lines.
	Stop the engine before refueling.		HOT, avoid touching the hot area.

	ON (power and Engine)		IN-position of a bistable push control		Engine start (Electric start)
○	OFF (power and Engine)		Protective earth (ground)		Engine stop
~	Alternating current		Fuse		Gasoline
≡	Direct current		Engine oil		Fast
+	Plus ; positive polarity		Add oil		Slow
-	Minus ; negative polarity		Battery charging condition		Fuel start
	OUT-position of a bistable push control		Choke ; cold starting aid		Fuel stop

$P_r$	Rated power (kW)	$COP$	Continuous power	$\cos \phi_r$	Rated power factor
$f_r$	Rated frequency (Hz)	$U_r$	Rated voltage (V)	$I_r$	Rated current (A)
$H_{max}$	Maximum site altitude above sea-level (m)	$T_{max}$	Maximum ambient temperature (°C)	m	Mass (kg)



## 2. COMPONENTS (See Fig. 1)

### NOTE

Please refer to the illustrations on the back page of the front cover or back cover for Fig. 1 to 6 indicated in the sentence.

- 1 CONTROL PANEL
- 2 FRAME
- 3 FUEL GAUGE
- 4 FUEL TANK
- 5 RECOIL STARTER (HANDLE)
- 6 EXHAUST OUTLET
- 7 TANK CAP
- 8 FUEL STRAINER
- 9 AIR CLEANER
- 10 BATTERY
- 11 SPARK PLUG CAP
- 12 OIL DRAIN PLUG
- 13 OIL GAUGE (OIL FILLER)

## 3. PRE-OPERATION CHECKS

(See Fig. 2)

### 1. CHECK ENGINE OIL (See Fig. 2-1, 2)

Before checking or refilling oil, be sure generator is located on stable and level surface with engine stopped.

- Remove oil filler cap and check the engine oil level. (See Fig. 2-1)
  - 1 OIL GAUGE                      2 OIL FILLER
  - 3 UPPER LEVEL                  4 LOWER LEVEL
- If oil level is below the lower level line, refill with suitable oil (see table) to upper level line. Do not screw in the oil filler cap when checking oil level. (See Fig. 2-2)
  - 1 UPPER LEVEL                  2 LOWER LEVEL
- Change oil if contaminated. (See "How-To" Maintenance.)

#### Oil capacity :

Model	Upper level
G2800N .....	0.6 liters (0.63 qts)
G3200N .....	0.6 liters (0.63 qts)
G4300N .....	1.0 liters (1.06 qts)

#### Recommended engine oil:

Use 4-stroke automotive detergent oil of API service class SE or higher grade (SG, SH or SJ is recommended). SAE 10W-30 or 10W-40 is recommended for general, all-temperature use. If single viscosity oil is used, select the appropriate viscosity for the average temperature in your area.

Single grade	5W	10W	20W	#20	#30	#40	
Multigrade	10W-30						
	10W-40						
Ambient temperature	-20	-10	0	10	20	30	40°C
	-4	14	32	50	68	86	104°F

### 2. CHECK ENGINE FUEL (See Fig. 2-3, 4)

#### ⚠ WARNING

Do not refuel while smoking or near open flame or other such potential fire hazards. Otherwise fire accident may occur.

- Check fuel level at fuel level gauge. (See Fig. 2-4)
  - 1 EMPTY (E)                      2 FULL (F)
  - 3 "LEVEL" MARK                  4 FUEL LEVEL LINE
- If fuel level is low, refill with unleaded automotive gasoline.
- Be sure to use the fuel filter screen on the fuel filter neck. (See Fig. 2-3)
  - 1 FUEL FILTER SCREEN
  - 2 TANK CAP

#### Fuel tank capacity :

G2800N .....	10.8 liters (2.9 US gal.)
G3200N .....	10.8 liters (2.9 US gal.)
G4300N .....	12.8 liters (3.4 US gal.)

#### ⚠ WARNING

Make sure you review each warning in order to prevent fire hazard.

- Do not refill tank while engine is running or hot.
- Close fuel cock before refueling with fuel.
- Be careful not to admit dust, dirt, water or other foreign objects into fuel.
- Wipe off spilt fuel thoroughly before starting engine.
- Keep open flames away.

### 3. CHECKING COMPONENT PARTS

Check following items before starting engine:

- Fuel leakage from fuel hose, etc.
- Bolts and nuts for looseness.
- Components for damage or breakage.
- Generator not resting on or against any adjacent wiring.

## 4. CHECK GENERATOR SURROUNDINGS.

### ⚠ WARNING

Make sure you review each warning in order to prevent fire hazard.

- Keep area clear of in flammables or other hazardous materials.
- Keep generator at least 3 feet (1 meter) away from buildings or other structures.
- Only operate generator in a dry, well ventilated area.
- Keep exhaust pipe clear of foreign objects.
- Keep generator away from open flame. No smoking!
- Keep generator on a stable and level surface.
- Do not block generator air vents with paper or other material.

## 5. GROUNDING THE GENERATOR

- To ground the generator to the earth, connect the grounding lug of the generator to the grounding spike driven into the earth or to the conductor which has been already grounded to the earth. (See Fig. [2]-[5])

### ① GROUNDING SPIKE

- If such grounding conductor or grounding electrode is unavailable, connect the grounding lug of the generator to the grounding terminal of the using electric tool or appliance. (See Fig. [2]-[6])

### ① GROUND TERMINAL

## 4. OPERATING PROCEDURES

(See Fig. [3],[4])

### 1. STARTING THE GENERATOR

### ⚠ CAUTION

Check the oil level before each operations as outlined on page 5.

- (a) Make sure the appliance is disconnected.
- (b) Turn engine switch to "N" (CHOKE) position. (When engine is warm or temperature is high, start engine with the switch at "R" (RUN) position.) (See Fig. [3]-[1])

- ① "N" (STOP)      ② "N" (CHOKE)

### ⚠ CAUTION

- Do not connect defective appliances including lines and plugs.
- Be sure appliances are not connected to generator when starting up. Starting the generator with an appliance connected could result in damage to the generator and/or appliance and in personal injury.

### (c) [Recoil starter model]

Pull the starter handle slowly until passing the compression point (resistance will be felt), then return the handle to its original position and pull briskly. (See Fig. [3]-[2])

- ① RECOIL STARTER HANDLE  
② PULL BRISKLY

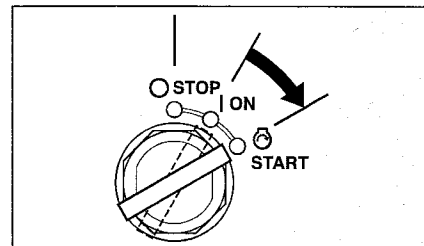
- (d) After starting, allow the starter handle to return to its original position with the handle still in your hand.

### NOTE

When engine fails to start after several attempts, repeat the starting procedures mentioned above with the engine switch placed at "R" (RUN) position.


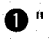

### (e) [Electric starter model]

Insert the key into the key switch and turn it clockwise to the "I" (ON) position to start the engine. Then turn the key further to the "S" (START) position. The engine will be started by starting motor.



### ⚠ CAUTION

- Do not run the starting motor over 5 seconds continuously. If the engine fails to start, return the key to the "I" (ON) position and wait about 10 seconds then start again.
- Do not turn the key switch to "S" (START) position when the engine is running to prevent damage of starting motor.
- When starting the engine by recoil starter, set the key switch at the "I" (ON) position and pull the starter handle.

- (f) After 20 to 30 seconds of warm-up is completed, turn the engine switch to "  " (RUN) position.  
 (See Fig. 3-3)  
 ❶ "  " (CHOKE)      ❷ "  " (RUN)
- (g) By changing over the LE display in the multi monitor into the "voltage" indication, make sure the generating voltage is the normal level (AC120V).

**NOTE**

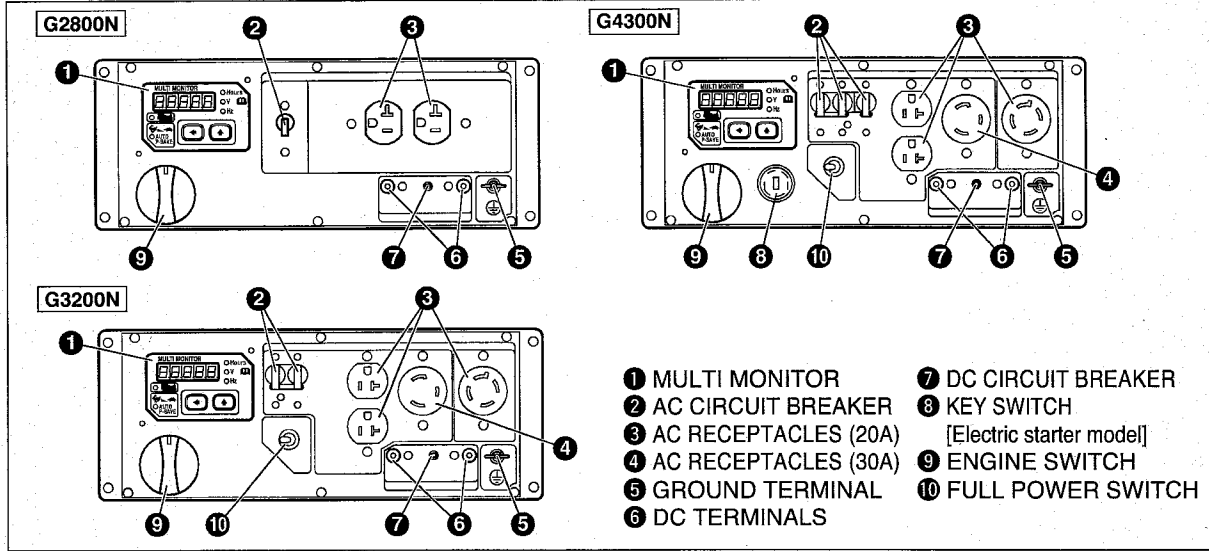
- If the LE display shows the "0" voltage, set the AC breaker to "ON" position.
- If no generating condition is found out, please consult nearest Makita factory or authorized service center.

**2. USING ELECTRIC POWER**

**⚠ WARNING**

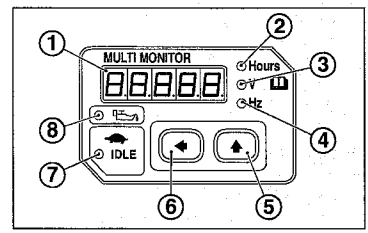
- Make sure that the appliance is switched OFF before connecting it to the generator.
- Do not move the generator while it is running.
- Be sure to ground the generator if the connected appliance is grounded. Failure to ground unit may lead to electrical shock.

**(1) CONTROL PANEL**



**MULTI MONITOR**

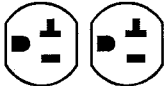


- LE display**  
Operation hour, voltage and frequency are indicated in turns by means of depressing the LE display changeover switch.
- Operation hour lamp**  
Lamp (red) is turned on when changing over into operation hour indication in the LE display.
- Voltage lamp**  
Lamp (red) is turned on when changing over into voltage indication in the LE display.
- Frequency lamp**  
Lamp (red) is turned on when changing over into frequency indication in the LE display.
- LE display changeover switch**  
When depressing this switch, indication in LE display is changed over in turns; operation hour → voltage → frequency → operation hour.  
When starting the engine, operation hour is indicated in LE display at first.
- Idle switch**  
When depressing this switch, Idle function is activated.
- Idle lamp**  
Lamp (green) is turned on while Idle function is activated.
- Engine oil level warning lamp**  
When the engine oil level is lower than the specified level, the lamp is turned on. Then engine will be stopped.



**(2) AC APPLICATION (See Fig. 4-1,2)**

- (a) Make sure the LE display shows the "120" voltage.
- (b) Turn off the switch(es) of the electrical appliance(s) before connecting to the generator.
- (c) Insert the plug(s) of the electrical appliance(s) into the receptacle. (See Fig. 4-1)

- Check the amperage of the receptacles used referring to **TABLE 1**, and be sure not to take a current exceeding the specified amperage.
- Be sure that the total wattage of all appliances dose not exceed the rated output of the generator.

Style	Ampere	Receptacle	AC plug	Description
	Up to 20A	NEMA 5-20R	NEMA 5-20P	Duplex Receptacle
	Up to 30A	NEMA L5-30R	NEMA L5-30P	Locking Receptacle
	Up to 20A	NEMA L14-20R	NEMA L14-20P	Locking Receptacle

**TABLE 1**

**⚠ WARNING**

- To take power out from the **TWIST LOCK RECEPTACLE**, insert the plug into the receptacle, and turn it clockwise to the lock position. (See Fig. 4-2)
- Be sure to ground the generator if the connected electrical device is grounded.

**NOTE**

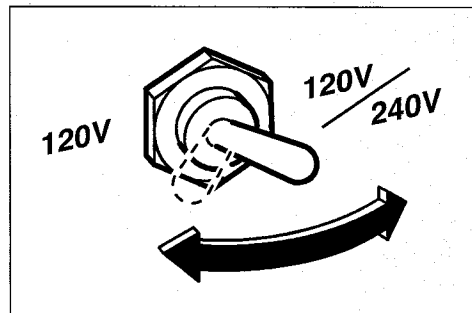
When the AC circuit breaker is turned off, AC output is cut off on the grounds that the generator operation is in overload condition or appliance(s) will be out of order. In this case, stop the generator immediately and check the appliance and/or generator for overloading.

- (d) Turn on the switch of the appliance.

**(3) FULL POWER SWITCH**

Select the voltage using the FULL POWER SWITCH in accordance with the electrical appliance.

Refer to **TABLE 2**.



**⚠ CAUTION**

Change the **FULL POWER SWITCH** after turning the AC circuit breaker to "OFF".

**NOTE**

Voltmeter always indicates the lower voltage whichever the FULL POWER SWITCH is set.

Switch position	Lower Voltage Receptacle	Higher Voltage Receptacle
120V	Activated full rated output	N.A
120/240V	Activated half of rated output	Activated full rated output

**TABLE 2**

**(4) DC APPLICATION (See Fig. 4-3)**

The DC terminal is used only for charging 12 volt batteries. It provides up to 12V-8.3A (100W) of maximum power.

- ① Positive terminal (RED)
- ② Negative terminal (BLACK)





**CONNECTION OF CABLE :**

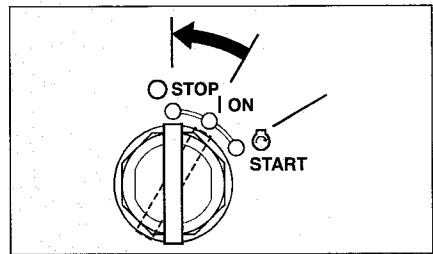
- Connect positive terminal (red) on generator to positive (+) terminal on battery.
- Connect negative terminal (black) on generator to negative (-) terminal on battery.

**SAFETY PRECAUTIONS WHILE CHARGING**

- An explosive hydrogen gas is discharged through vent holes in the battery during the charging process. Do not allow spark or open flame around the generator or battery during the charging process.
- Electrolyte fluid can burn eyes and clothing. Be extremely careful to avoid contact. If injured, wash the affected area immediately with large quantities of water and consult a doctor for treatment.
- When charging a large capacity battery or totally discharged battery, excessive current may force the DC circuit breaker to turn off. In such cases, use a battery charger to charge a large battery with AC output.
- Battery defects may cause the DC circuit breaker to turn off. Check the battery before replacing the DC circuit breaker.

**3. STOPPING THE GENERATOR**

- (a) Turn off the power switch of the electric equipment and unplug the cord from receptacle of the generator.
- (b) Allow the engine about 3 minutes to cool down at no load before stopping.
- (c) Turn the engine switch to the position "  " (STOP). (See Fig. 4-4)
- ① "  " (RUN)      ② "  " (STOP)
- (d) [Electric starter model]  
Turn the key switch to the "  " (STOP) position.



**4. OIL SENSOR (See Fig. 4-5)**

- ① OIL SENSOR
- (a) The oil sensor detects the fall in oil level in the crankcase and automatically stops the engine when the oil level falls below a predetermined level.

- (b) When engine has stopped automatically, switch off generator's no fuse breaker, and check the oil level. Refill engine oil to the upper level as instructed on page 5 and restart the engine.
- (c) If the engine does not start by usual starting procedures, check the oil level.

**⚠ CAUTION**

**Do not remove OIL SENSOR PROBE when refilling with oil. Remove oil filler cap on the opposite side of carburetor.**

**5. WATTAGE INFORMATION**

Some appliances need a "surge" of energy when starting. This means that the amount of electrical power needed to start the appliance may exceed the amount needed to maintain its use. Electrical appliances and tools normally come with a label indicating voltage, cycles / Hz, amperage (amps) and electrical power needed to run the appliance or tool. Check with your nearest dealer or service center with questions regarding power surge of certain appliances or power tools.

- Electrical loads such as incandescent lamps and hot plates require the same wattage to start as is needed to maintain use.
- Loads such as fluorescent lamps require 1.2 to 2 times the indicated wattage during start-up.
- Loads for mercury lamps require 2 to 3 times the indicated wattage during start-up.
- Electrical motors require a large starting current. Power requirements depend on the type of motor and its use. Once enough "surge" is attained to start the motor, the appliance will require only 50% to 30% of the wattage to continue running.
- Most electrical tools require 1.2 to 3 times their wattage for running under load during use. For example, a 5000 watt generator can power a 1800 to 4000 watt electrical tool.
- Loads such as submersible pumps and air compressors require a very large force to start. They need 3 to 5 times the normal running wattage in order to start. For example, a 5000 watt generator would only be able to drive a 1000 to 1700 watt pump.

**NOTE**

The following wattage chart is general guide only. Refer to your specific appliance for correct wattage.

To determine the total wattage required to run a particular electrical appliance or tool, multiply the voltage figure of the appliance/tool by the amperage (amps) figure of same. The voltage and amperage (amps) information can be found on a name plate which is normally attached to electrical appliances and tools.

Applications	Applicable Wattage (W)		
	G2800N	G3200N	G4300N
	60Hz		
Incandescent lamp, Heater	approx. 2400	approx. 2700	approx. 3700
Fluorescent lamp, Electric tool	approx. 1200	approx. 1400	approx. 1900
Mercury lamp	approx. 800	approx. 1000	approx. 1600
Pump, Compressor	approx. 500	approx. 600	approx. 800

**VOLTAGE DROP IN ELECTRIC EXTENSION CORDS**

When a long electric extension cord is used to connect an appliance or tool to the generator, a certain amount of voltage drop or loss occurs in the extension cord which reduces the effective voltage available for the appliance or tool.

The chart below has been prepared to illustrate the approximate voltage loss when an extension cord of 300 feet (approx. 100 meters) is used to connect an appliance or tool to the generator.

Nominal cross section	A.W.G.	Allowable current	No. of strands / strands dia.	Resistance	Current Amp.							Voltage drop
					1A	3A	5A	8A	10A	12A	15A	
mm <sup>2</sup>	No.	A	No./mm	Ω/100m	1A	3A	5A	8A	10A	12A	15A	
0.75	18	7	30/0.18	2.477	2.5V	8V	12.5V	—	—	—	—	
1.27	16	12	50/0.16	1.486	1.5V	5V	7.5V	12V	15V	18V	—	
2.0	14	17	37/0.26	0.952	1V	3V	5V	8V	10V	12V	15V	
3.5	12 to 10	23	45/0.32	0.517	—	1.5V	2.5V	4V	5V	6.5V	7.5V	
5.5	10 to 8	35	70/0.32	0.332	—	1V	2V	2.5V	3.5V	4V	5V	

## 6. SPARK ARRESTER

In a dry or wooded area, it is recommendable to use the product with a spark arrester. Some areas require the use of a spark arrester. Please check your local laws and regulations before operating your product.

The spark arrester must be cleaned regularly to keep it functioning as designed.

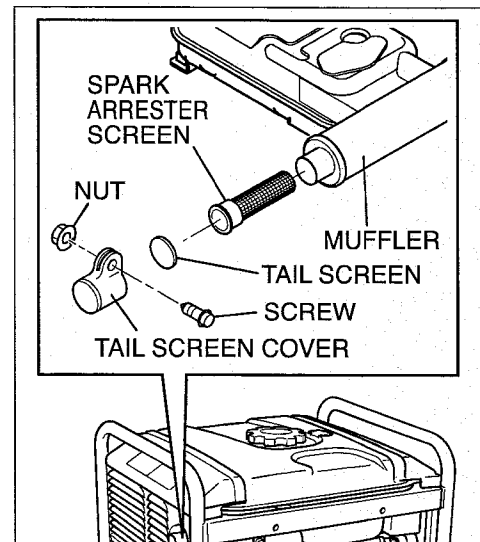
A clogged spark arrester :

- Prevents the flow of exhaust gas
- Reduces engine output
- Increases fuel consumption
- Makes starting difficult

If the engine has been running, the muffler and the spark arrester will be very hot. Allow the muffler to cool before cleaning the spark arrester.

### How to remove the spark arrester

1. Remove the flange bolts from the muffler cover and remove the muffler cover.
2. Remove the special screw from the spark arrester and remove the spark arrester from the muffler.



### Clean the spark arrester screen

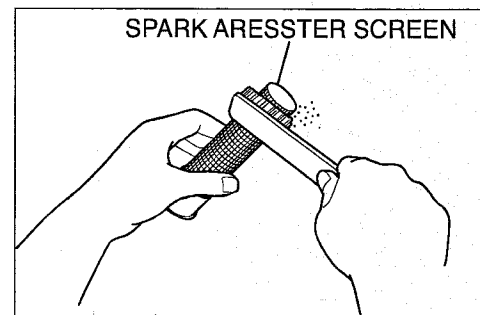
Use a brush to remove carbon deposits from the spark arrester screen.

Be careful to avoid damaging the screen.

The spark arrester must be free of breaks and holes.

Replace the spark arrester if it is damaged.

Install the spark arrester, and muffler protector in the reverse order of disassembly.

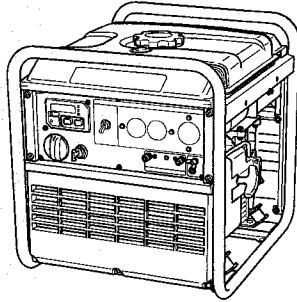


## 7. MAINTENANCE SCHEDULE

MAINTENANCE, REPLACEMENT OR REPAIR OF THE EMISSION CONTROL DEVICES AND SYSTEMS MAY BE PERFORMED BY ANY NONROAD ENGINE REPAIR ESTABLISHMENT OR INDIVIDUAL.

### DAILY INSPECTION

Before running the generator, check the following service items:

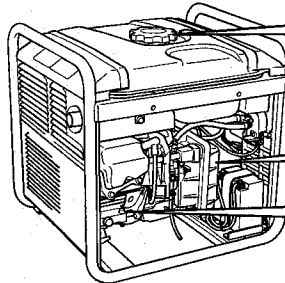


Safe surroundings

Leakage of gasoline and engine oil

Enough clean engine oil

AC and DC terminals for damage



Enough gasoline

Excessive vibration, noise

Clean air cleaner element

Loose or broken bolts and nuts

### PERIODIC MAINTENANCE

Periodic maintenance is vital to safe and efficient operation of your generator. Check the table below for periodic maintenance intervals.

**IT IS ALSO NECESSARY FOR THE USER OF THIS GENERATOR TO CONDUCT THE MAINTENANCE AND ADJUSTMENTS ON THE EMISSION-RELATED PARTS LISTED BELOW TO KEEP THE EMISSION CONTROL SYSTEM EFFECTIVE.**

The emission control system consists of the following parts :

- |   |  |  |
|---|--|--|
| (1) Carburetor and internal parts               | (5) Spark plug                                 | (8) Exhaust manifold, if applicable          |
| (2) Cold start enrichment system, if applicable | (6) Magneto or electronic ignition system      | (9) Hoses, belts, connectors, and assemblies |
| (3) Intake manifold, if applicable              | (7) Spark advance/retard system, if applicable |  |
| (4) Air cleaner elements                        |  |  |

The maintenance schedule indicated in the table is based on the normal generator operation. Should the generator be operated in extremely dusty condition or in heavier loading condition, the maintenance intervals must be shortened depending on the contamination of oil, clogging of filter elements, wear of parts, and so on.



**Periodic Maintenance Schedule table**

Maintenance Items	Every 8 hours (Daily)	Every 50 hours (Weekly)	Every 200 hours (Monthly)	Every 500 hours	Every 1000 hours
Clean generator and check bolt and nuts	● (Daily)				
Check and refill engine oil	● (Refill daily up to upper level)				
Change engine oil (*Note1)	● (Initial 20 hours)	● (Every 100 hours)			
Clean spark plug		●			
Clean air cleaner		●			
Replace air cleaner element			●		
Clean fuel filter			●		
Clean and adjust spark plug and electrodes			●		
Replace spark plug				●	
Clean spark arrester		● (Every 100 hours)			
Remove carbon from cylinder head (*Note 2)				●	
Check and adjust valve clearance (*Note 2)				●	
Clean and adjust carburetor (*Note 2)				●	
Clean and replace carbon brushes				●	
Replace fuel lines					● (Yearly)
Overhaul engine (*Note 2)					●
Check AC receptacles	● (Daily)				
Check DC terminal	● (Daily)				
Check engine switch	● (Daily)				
Check multi monitor	● (Daily)				
Check rotor					●
Check stator					●
Replace engine mount					●

\*Note: 1. Initial oil change should be performed after first twenty (20) hours of operation. Thereafter change oil every hundred (100) hours.  
 Before changing oil, check for a suitable way to dispose of old oil.  
 Do not pour it down into sewage drains, onto garden soil or into open streams. Your local zoning or environmental regulations will give you more detailed instructions on proper disposal.

\*Note: 2. As to the procedures for these items, please refer to the SERVICE MANUAL or consult your nearest Makita service dealer.

## 8. "HOW-TO" MAINTENANCE

(See Fig. ⑤)

### ⚠ CAUTION

Make sure the engine is stopped before starting any maintenance, servicing or repair.

### NOTE

It is recommended to use ear protection when performing operation, maintenance and repair of the generator set.

### 1. ENGINE OIL CHANGE (See Fig. ⑤-①)

- Change engine oil every 100 hours.  
(For new engine, change oil after 20 hours.)
- (a) Drain oil by removing the drain plug and the oil filler cap while the engine is warm.
  - ① OIL DRAIN PLUG
- (b) Reinstall the drain plug and fill the engine with oil until it reaches the upper level on the oil filler cap.
  - Use fresh and high quality lubricating oil to the specified level as directed on page 5.  
If contaminated or deteriorated oil is used or the quantity of the engine oil is not sufficient, the engine damage will result and its life will be greatly shortened.

### 2. SERVICING THE AIR CLEANER (See Fig. ⑤-②)

Maintaining an air cleaner in proper condition is very important.

Dirt induced through improperly installed, improperly serviced or inadequate elements damages and wears out engines. Keep the element always clean.

- (a) Unhook the cover and remove the cleaner element.
  - ① ② ELEMENT (Urethane form)
- (b) Urethane form : Wash the element with fresh water. Squeeze out the water then dry the element. (Do not twist.)

### 3. CLEANING AND ADJUSTING SPARK PLUG (See Fig. ⑤-③,④)

- (a) If the plug is contaminated with carbon, remove it using a plug cleaner or wire brush.
- (b) Adjust the electrode gap to 0.6 to 0.7 mm (0.024 to 0.028 in.).

- ① SPARK PLUG
- ② PLUG WRENCH
- ③ SPARK PLUG CAP

Model	Spark plug
G2800N	NGK BR-6HS (CHAMPION RL86C)
G3200N	
G4300N	

### 4. CLEANING FUEL STRAINER (See Fig. ⑤-⑤)

Dirt and water in the fuel are removed by the fuel strainer.

- ① FUEL STRAINER CUP
- (a) Remove the strainer cup and throw away water and dirt.
- (b) Clean the screen and strainer cup with gasoline.
- (c) Tightly fasten the cup to main body, making sure to avoid fuel leak.

### 5. CHECKING CARBON BRUSH (See Fig. ⑤-⑥)

If the brush become excessively worn, its contact pressure with the slip ring changes and causes a roughened surface on the slip ring, resulting in irregular generator performance.

Check the brush every 500 hours or if generator performance is irregular.

If the brush is 5 mm (0.2 in.) long or less, replace it with a new one.

- ① BRUSH HOLDER
- ② BRUSH
- ③ 5 mm (0.2 in.)
- ④ M5 BOLT : 1 pc.
- ⑤ BRUSH COVER
- (a) Remove the brush cover.
- (b) Disconnect the wire connector and remove the brush.
- (c) Carefully note the brush direction and relative position with the slip ring when installing new brush.

## 6. BATTERY INSTALLATION (G4300N)

- (a) Attach terminals to a lead-acid battery already charged. Mount the battery onto the position as specified below, with its terminals facing inward.
- (b) Insert each long bolt through the specified hole, its tip pointing outward.
- (c) Put the supporting arm on the long bolts and tighten with the butterfly nuts.  
(Push the lead-acid battery all the way inward.)

### Recommended Battery

Lead-acid battery : 12V-12A·h or larger.  
(Applicable Battery Make & Model)

YUASA	YB12AL-A2
GS	GM12AZ-3A-2 or CB12AL-A
INTERSTATE	YB12AL-A
GNB	12AL-A
SEARS	44052

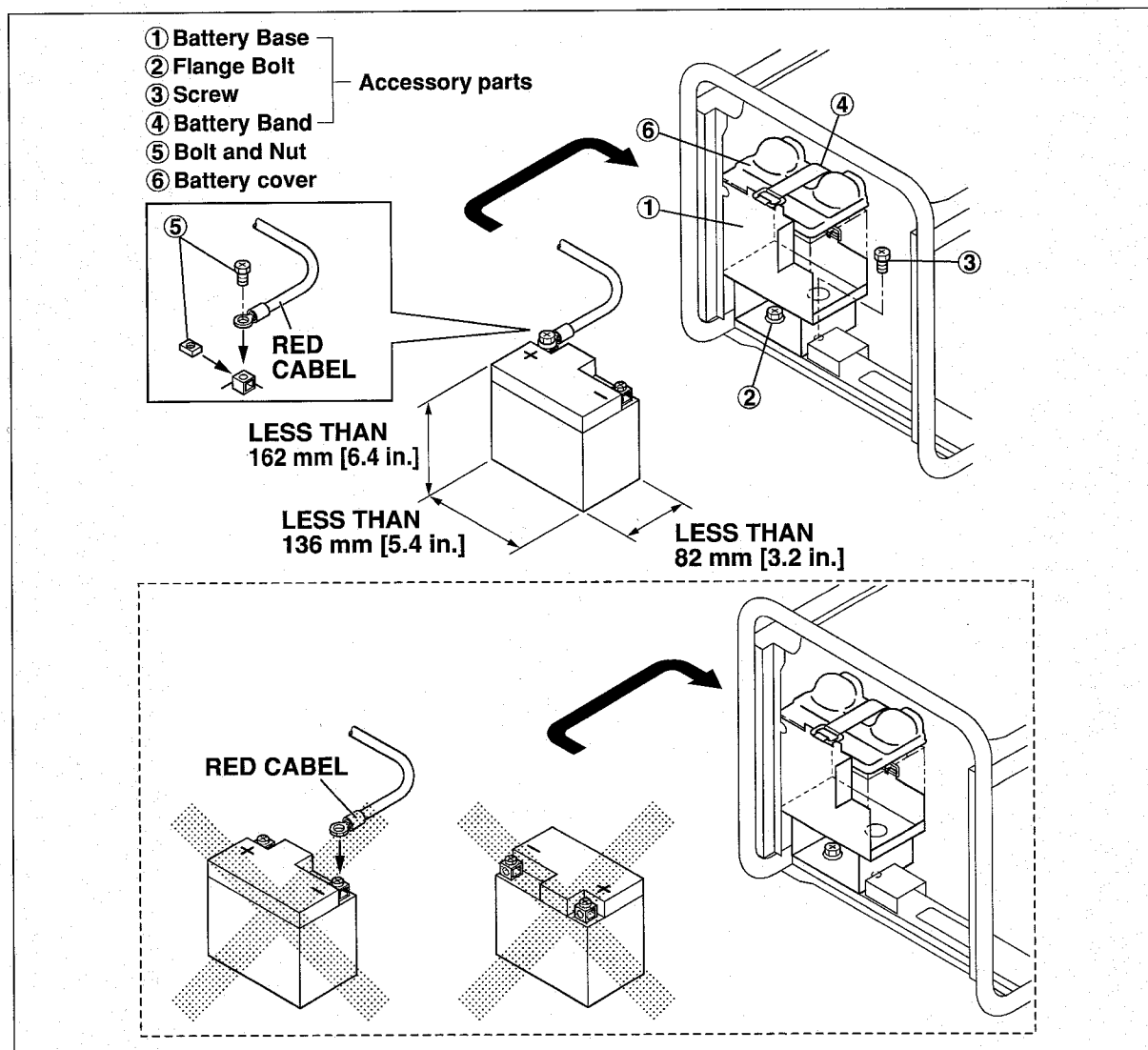
- (d) Arrange the wiring so that it won't be damaged by possible vibration caused by the engine.
- (e) Only after checking that the engine's starter key is in the "OFF" position, securely connect the red cable, to the positive (+) terminal. And then connect the other cable to the negative (-) terminal.

**Red cable : to the (+) terminal**

**Black cable : to the (-) terminal**

### ⚠ CAUTION

Should the connection be made in incorrect manner, the engine will be broken.



## 9. PERIODIC OPERATION AND INSPECTION

When furnishing the generator as emergency electric power source, periodic operation and inspection are needed.

Fuel (gasoline) and engine oil will be deteriorated with time, and this causes that the engine is difficult to start and as the results improper engine operation and fault.

### ⚠ CAUTION

Since the fuel (gasoline) will be deteriorated with time, replace fuel (gasoline) with fresh one periodically; once every three (3) months is recommended.

- (a) Check the fuel (gasoline), engine oil and air cleaner.
- (b) Start engine.
- (c) With appliance such as lightings activated, run the engine for over ten minutes.
- (d) Check for the following items;
  - Proper engine running.
  - Adequate output and the indicator lamp turned on properly.
  - The engine switch normally operated.
  - No leakage of engine oil and fuel (gasoline).

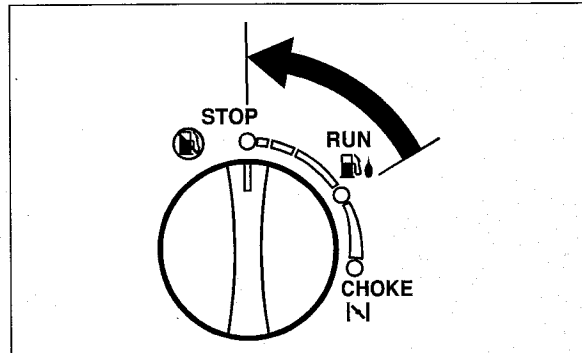
## 10. TRANSPORTING

When transporting the generator, make sure that the fuel (gasoline) should be drained from the tank.

### ⚠ WARNING

- To prevent fuel spillage due to the vibration and impact, never transport the generator with the fuel (gasoline) filled in the tank.
- Secure the tank cap thoroughly.
- To avoid the risk of the gasoline flammability, never leave the generator in an area exposed to direct sunlight or high temperatures for a long time.
- Keep the fuel (gasoline) in the exclusive gasoline storage tank made by steel when transporting.

- (a) Turn the engine switch to the "STOP" position.



- (b) Drain the fuel from the tank.
- (c) Secure the tank cap.

### ⚠ CAUTION

- Do not place any heavy objects on the generator.
- Select and place the generator in the proper position of the transport vehicle so that the generator not be moved or fallen down.  
Fix the generator with rope as necessary.

## 11. PREPARATION FOR STORAGE (See Fig. 6)

The following procedures should be followed prior to storage of your generator for periods of 6 months or longer.

- Drain fuel from fuel tank carefully by disconnecting the fuel line.  
Gasoline left in the fuel tank will eventually deteriorate making engine-starting difficult.
- Remove the drain screw of the carburetor. (See Fig. 6-1)
  - ① DRAIN SCREW
- Change engine oil.
- Check for loose bolts and screws, tighten them if necessary.
- Clean generator thoroughly with oiled cloth. Spray with preservative if available. **NEVER USE WATER TO CLEAN GENERATOR !**
- Pull starter handle until resistance is felt, leaving handle in that position.
- Store generator in a well ventilated, low humidity area.

## 12. TROUBLESHOOTING

When generator engine fails to start after several attempts, or if no electricity is available at the output socket, check the following chart. If your generator still fails to start or generate electricity, contact your nearest Makita factory or authorized service center for further information or corrective procedures.

### When Engine Fails to Start:

Check if engine switch is in its proper position.	↔	Turn engine switch to "N" (CHOKE) position.
Check fuel level.		If empty, refill fuel tank making sure not to overfill.
Check to make sure generator is not connected to an appliance.		If connected, turn off the power switch on the connected appliance and unplug.
Check spark plug for loose spark plug cap.		If loose, push spark plug cap back into place.
Check spark plug for contamination.		Remove spark plug and clean electrode.
Check engine oil level.	↔	If the engine oil level is low, add the oil to the upper level line on the oil gauge.

### When No Electricity Is Generated at Receptacle :

Check if the AC circuit breaker is turned off. Check if the DC circuit breaker is turned off.	↔	Depress the circuit breaker into ON position, after making sure the electric power level is proper and the electric appliance(s) are in the normal condition.
Check AC receptacle and DC terminals for loose connection.		Secure connection if necessary.
Check to see if engine starting was attempted with appliances already connected to generator.		Turn off switch on the appliance, and disconnect cable from receptacle. Reconnect after generator has been started properly.
Low power.	↔	Carbon brushes are excessively worn

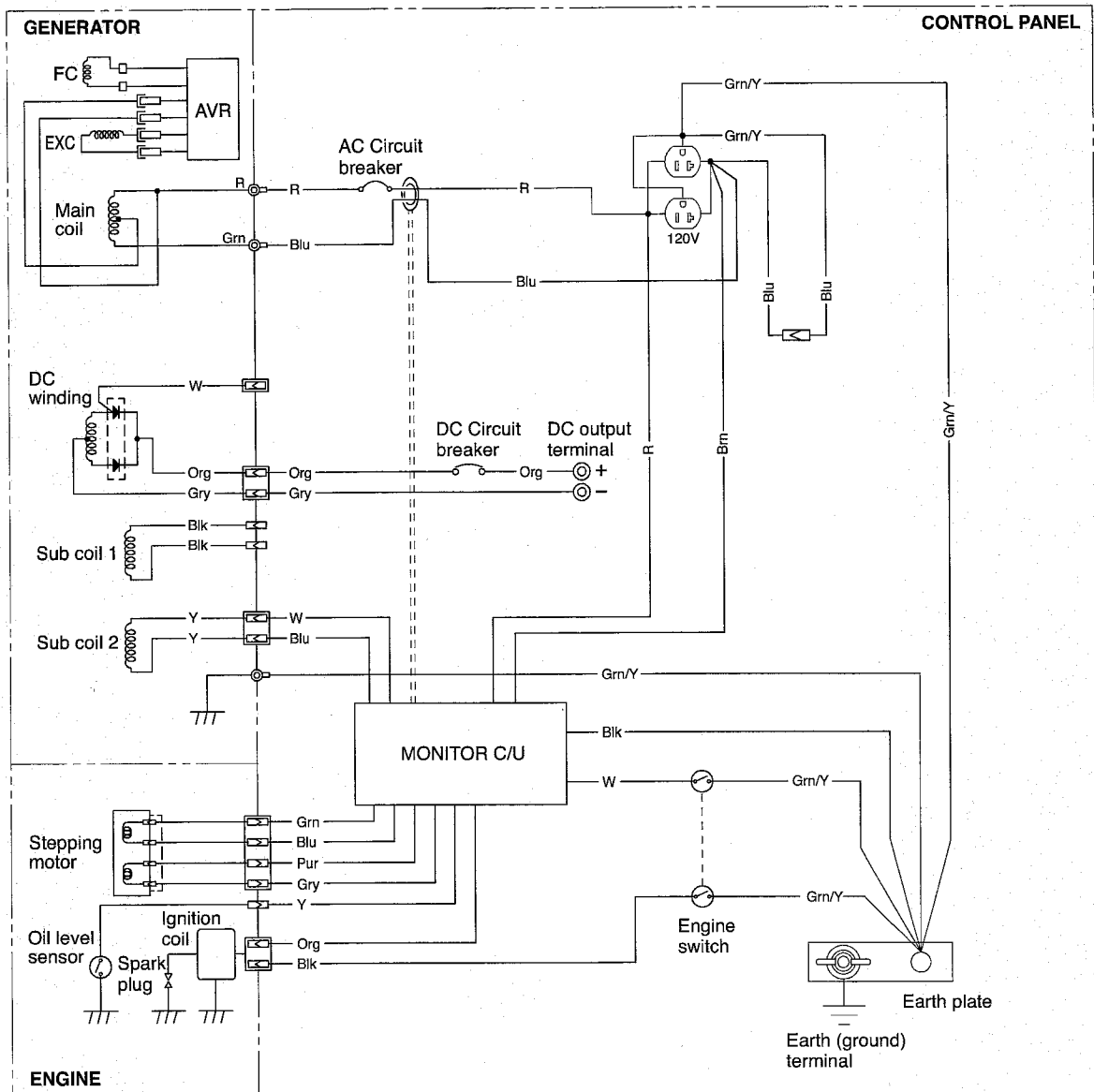
# 13. SPECIFICATIONS

ENGLISH

MODEL		G2800N	G3200N	G4300N
Alternator	Type	2-Pole, Revolving field type self exciting, single phase		
	Voltage regulator	AVR type		
	Ground system	Neutral ground		
	AC Output			
	Frequency Hz	60		
	Rated voltage V	120	120 / 240	120 / 240
	Rated current A	20.0	22.5 / 11.3	30.8 / 15.4
	Rated output kVA	2.4	2.7	3.7
	Rated power factor	1.0		
	Over current protector	No fuse breaker		
	DC Output			
	Rated voltage V	12		
	Rated current A	8.3		
Rated output W	100			
Over current protector	Circuit breaker			
Engine	Model	EX17	EX21	EX27
	Type	Forced air-cooled, 4-cycle, OHC Gasoline Engine		
	Displacement mL (cu.in.)	169 (10.31)	211 (12.87)	265 (16.17)
	Fuel	Automotive gasoline		
	Fuel tank capacity L (U.S. gal)	10.8 (2.9)	10.8 (2.9)	12.8 (3.4)
	Rated continuous operation [Approx.] hours	7.5	6.7	6.4
	Starting system	Recoil		Recoil (Electric)
Dimension	Length mm (in.)	537 (21.1)		580 (22.8)
	Width mm (in.)	432 (17.0)		477 (18.8)
	High mm (in.)	475 (18.7)		508 (20.0)
	Dry weight kg (lb)	43 (94.8)	48 (105.8)	55 (121.3)
Valve Clearance (Intake & Exhaust) mm(in.)	0.1±0.03 (0.0039±0.0012) Note : Adjust the valve clearance while the engine is cold.			

# 14.WIRING DIAGRAM

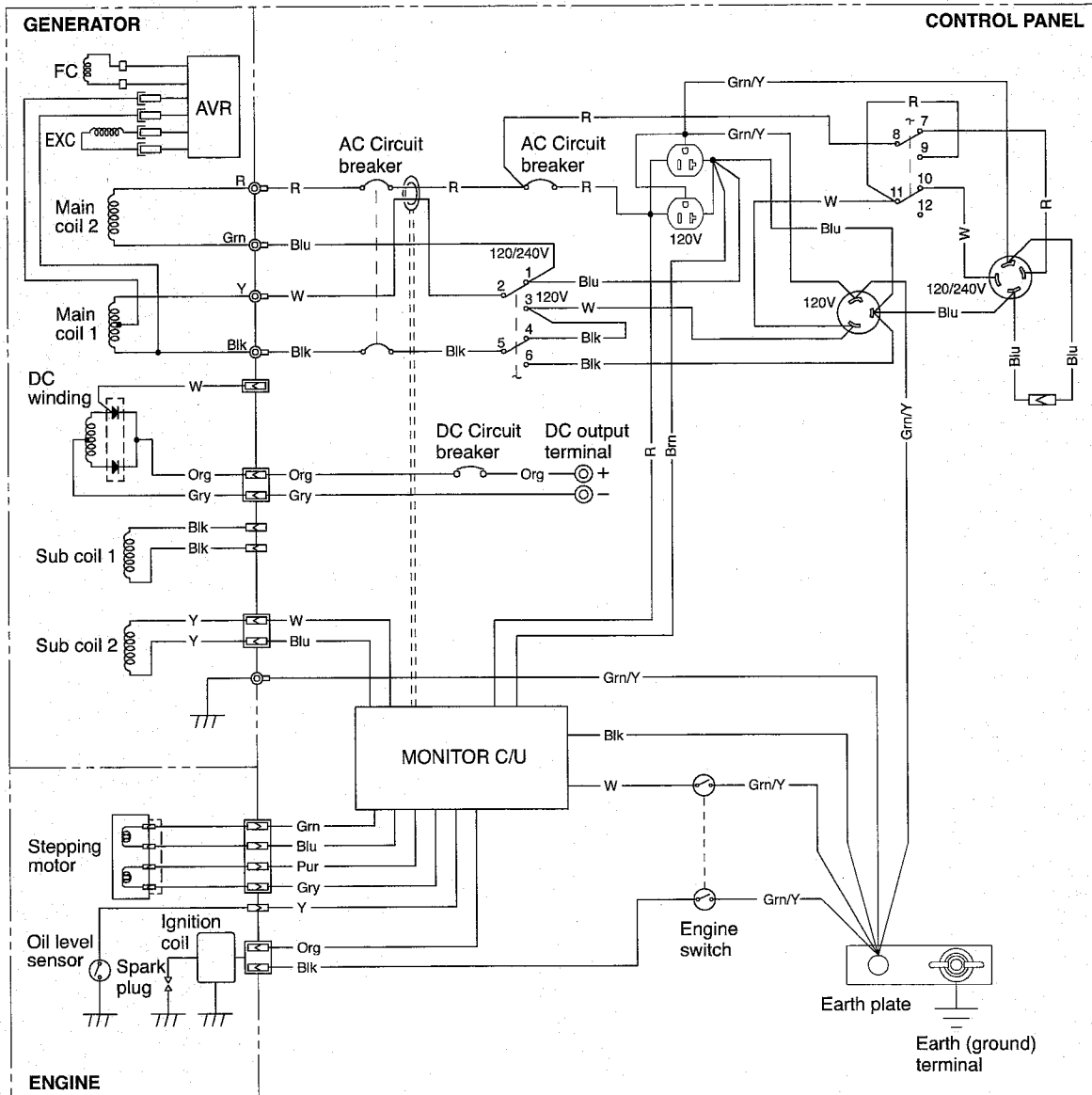
## G2800N (60HZ-120V) [Recoil starter model]



**Wiring color cord**

Blk : Black	LBlu : Light blue	Grn : Green	Gry : Gray	Y : Yellow	Pur : Purple
Blk/W : Black/White	Brn : Brown	Grn/W : Green/White	R : Red	W/Blk : White/Black	Pin : Pink
Blu : Blue	Brn/W : Brown/White	Org : Orange	W : White	Grn/Y : Green/Yellow	

# G3200N (60HZ-120 / 240V) [Recoil starter model]

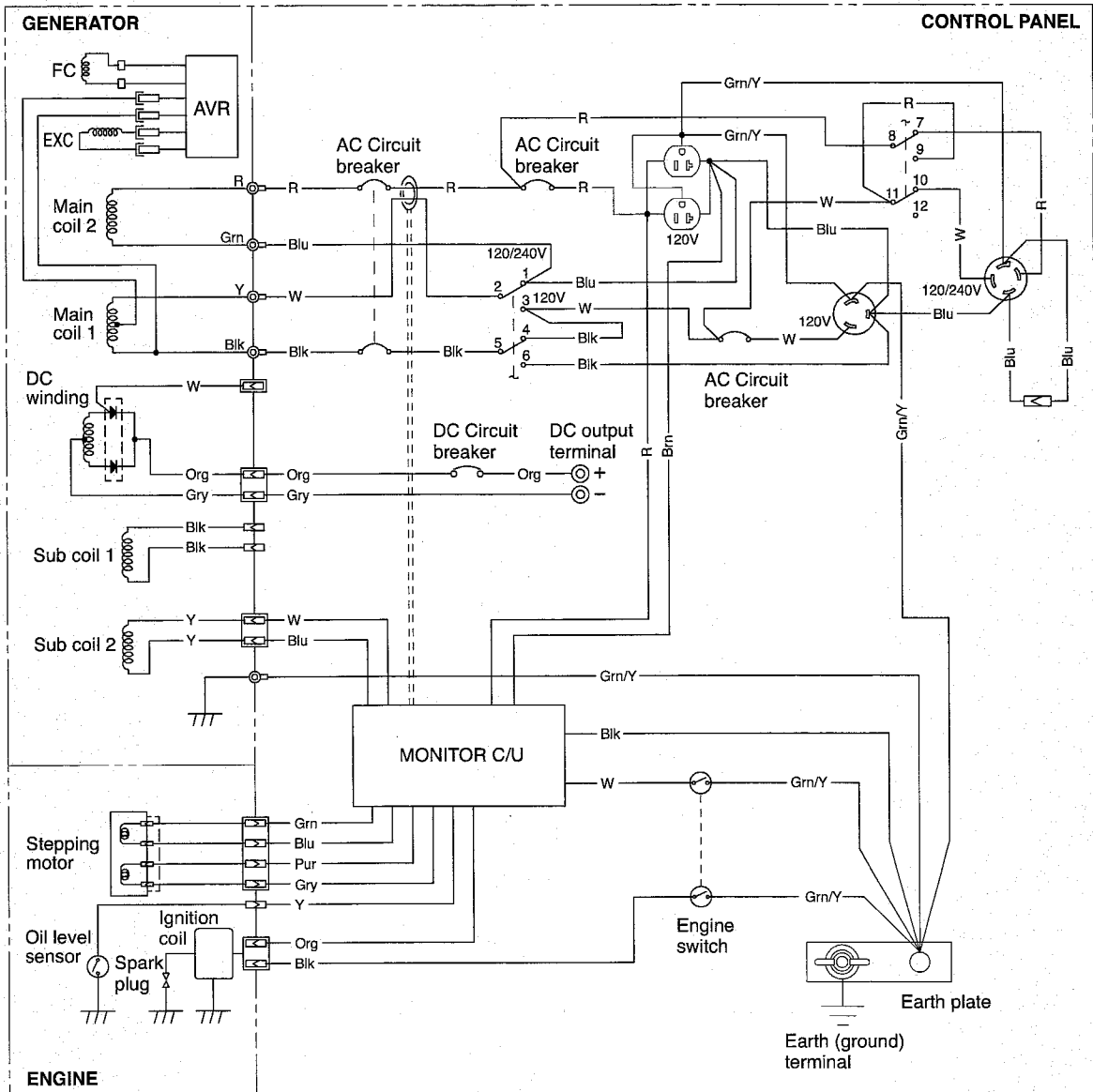


**Wiring color cord**

Blk : Black	LBlu : Light blue	Grn : Green	Gry : Gray	Y : Yellow	Pur : Purple
Blk/W : Black/White	Brn : Brown	Grn/W : Green/White	R : Red	W/Blk : White/Black	Pin : Pink
Blu : Blue	Brn/W : Brown/White	Org : Orange	W : White	Grn/Y : Green/Yellow	



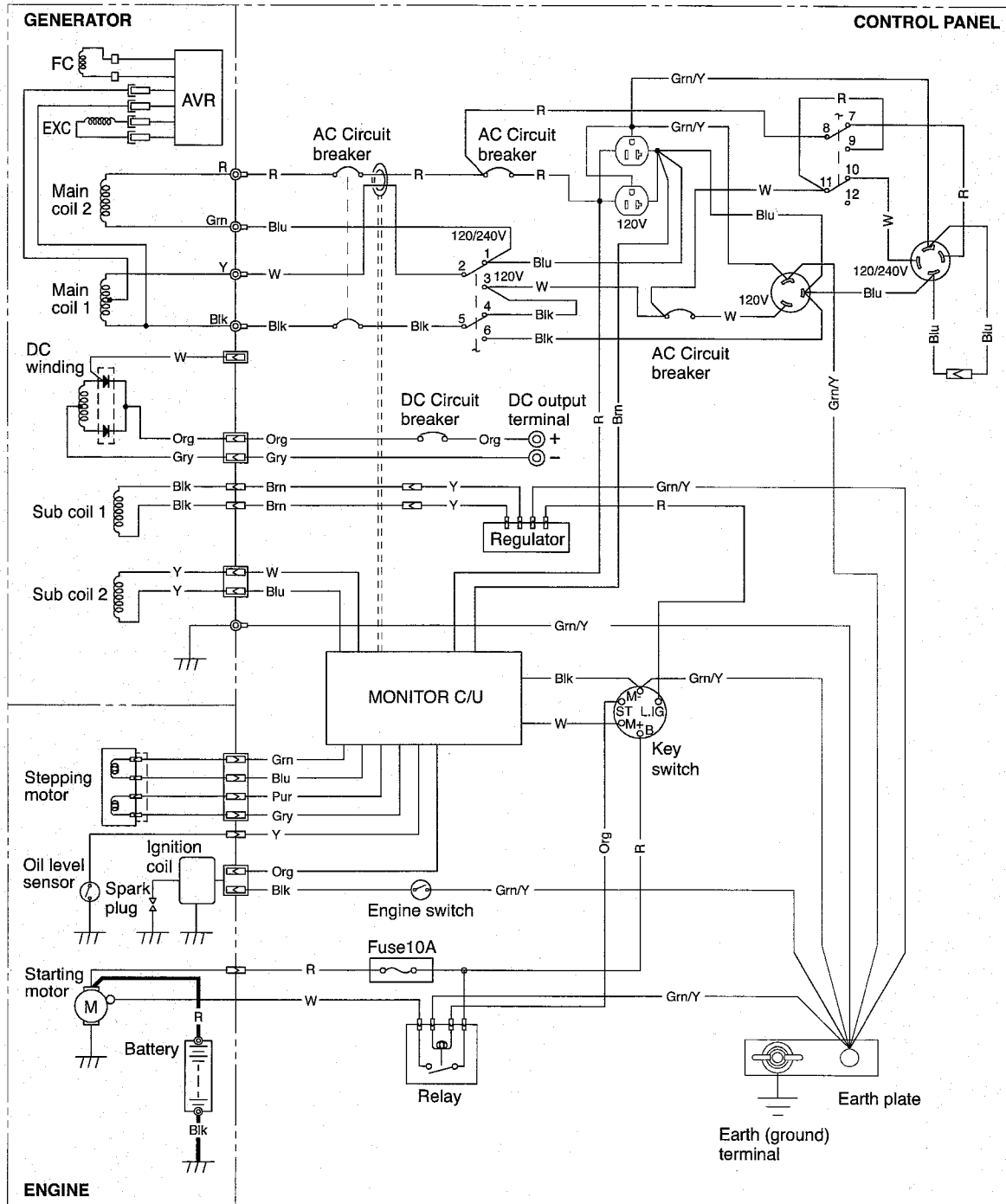
# G4300N (60HZ-120 / 240V) [Recoil starter model]



**Wiring color cord**

Blk : Black	LBlu : Light blue	Grn : Green	Gry : Gray	Y : Yellow	Pur : Purple
Blk/W : Black/White	Brn : Brown	Grn/W : Green/White	R : Red	W/Blk : White/Black	Pin : Pink
Blu : Blue	Brn/W : Brown/White	Org : Orange	W : White	Grn/Y : Green/Yellow	

# G4300N (60HZ-120 / 240V) [Electric starter model]



**Wiring color cord**

Blk : Black	LBlu : Light blue	Grn : Green	Gry : Gray	Y : Yellow	Pur : Purple
Blk/W : Black/White	Brn : Brown	Grn/W : Green/White	R : Red	W/Blk : White/Black	Pin : Pink
Blu : Blue	Brn/W : Brown/White	Org : Orange	W : White	Grn/Y : Green/Yellow	

**ISSUE EMD-GU1978**

# **Makita Corporation**

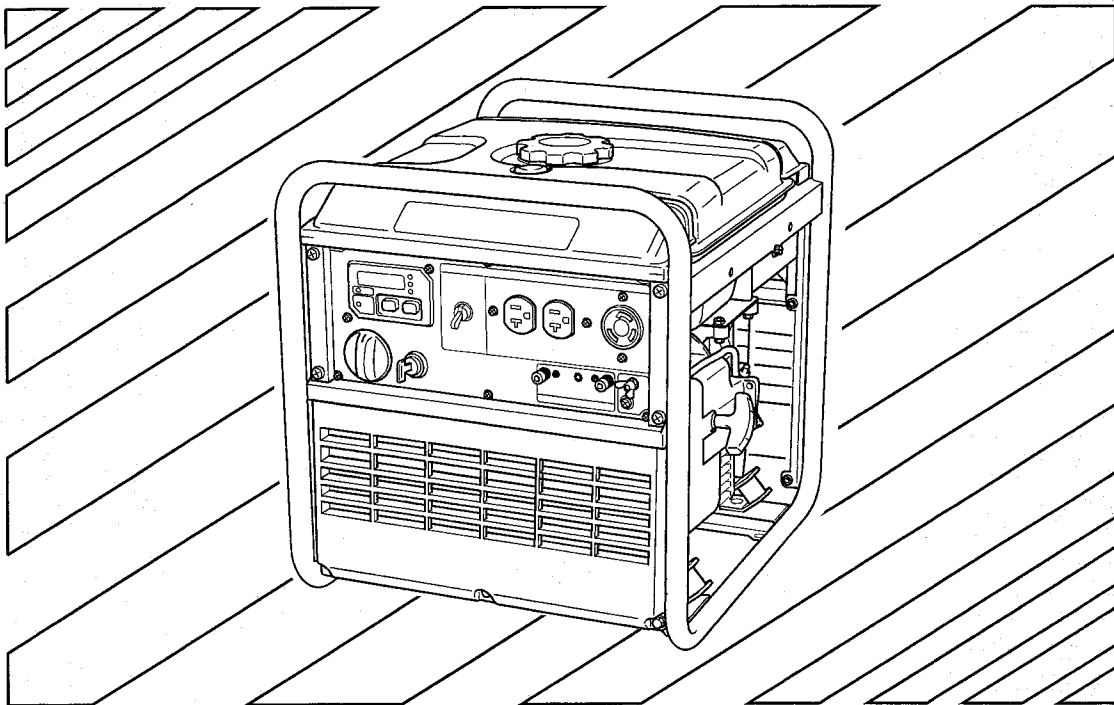
3-11-8, Sumiyoshi-cho  
Anjo, Aichi 446-8502 Japan

**PRINTED IN JAPAN**  
September 2004 CE

# ***Makita*** **GENERATOR**

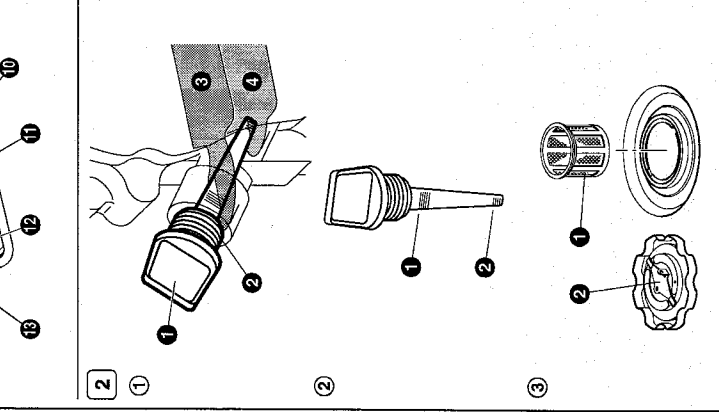
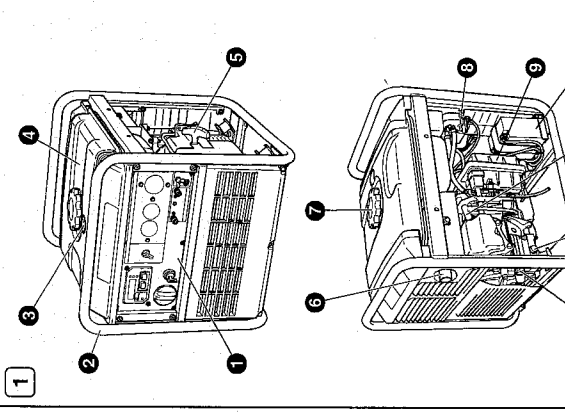
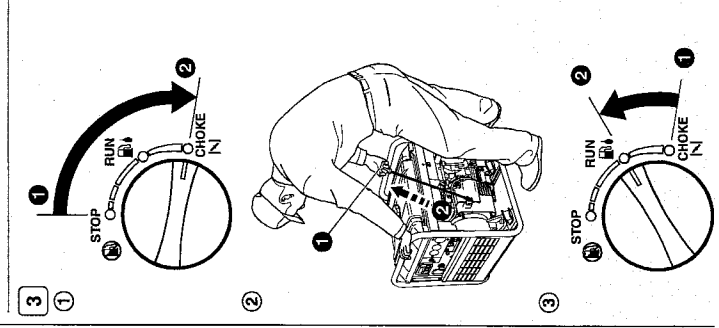
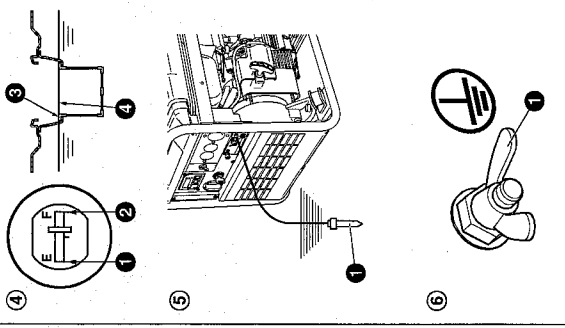
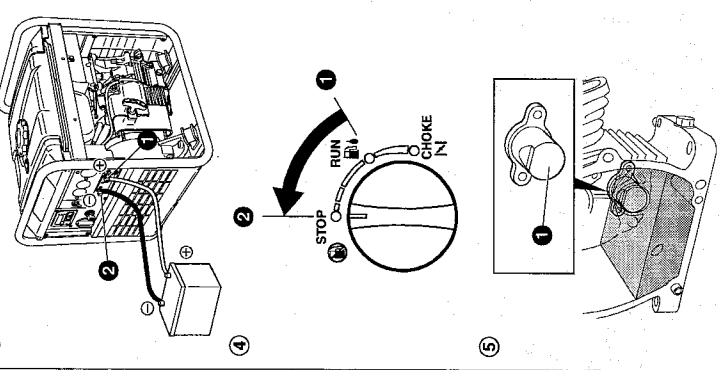
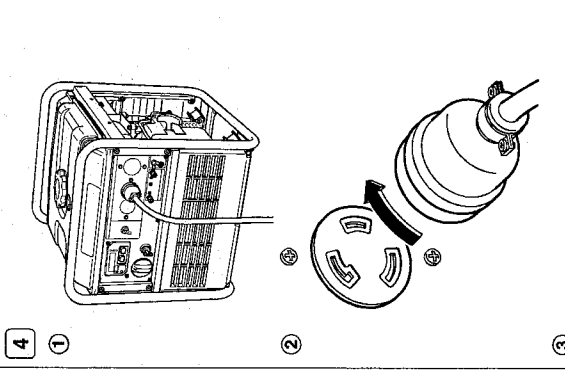
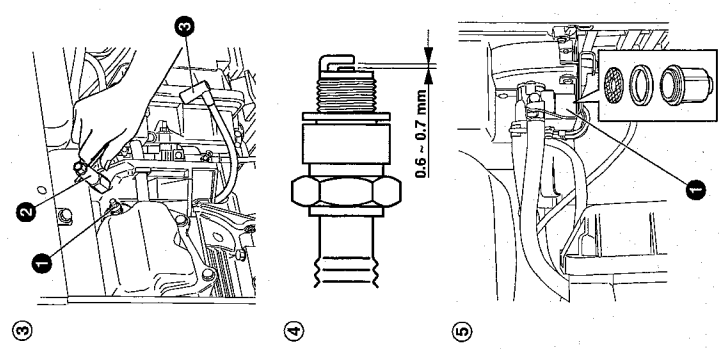
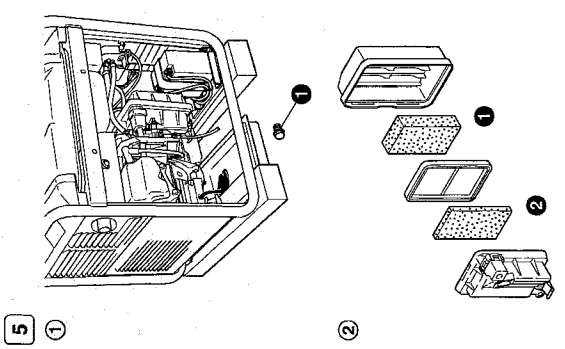
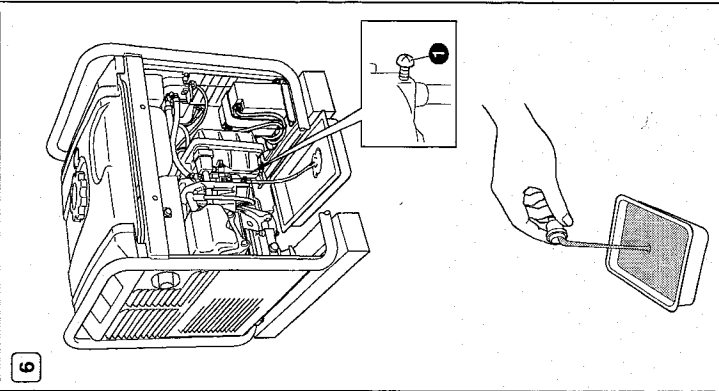
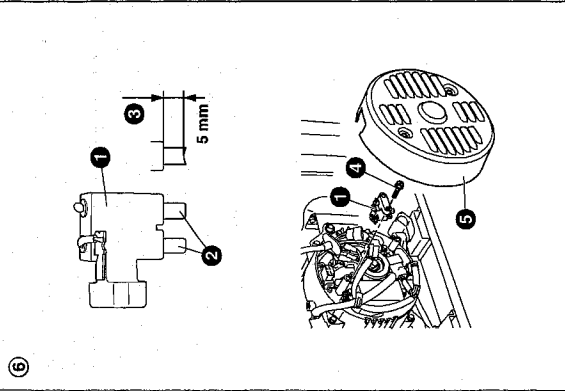
カナダ

MODEL  
**G2800N**  
**G3200N**  
**G4300N**



**INSTRUCTIONS FOR USE**  
**MANUEL D'UTILISATION**

**3ZZ9990115**



# GARANTIE FÉDÉRALE CONTRE DÉFAUTS DE COMPOSANTS D'ÉMISSIONS

**COUVERTURE D'ASSURANCE CONTRE DÉFAUTS DE COMPOSANTS D'ÉMISSIONS** – Cette garantie d'émission est applicable dans tous les États, sauf dans l'Etat de la Californie.

Makita U.S.A. Inc., La Mirada, California (désigné ci-après par "MAKITA") garantit à l'acheteur au détail initial et à chaque propriétaire subséquent, que ce moteur "Nonroad" (désigné ci-après par "Moteur") a été conçu, construit et équipé pour se conformer au moment de la vente initiale à tous les règlements applicables de l'Agence de Protection de l'Environnement, États-Unis (EPA, Environmental Protection Agency), et que ce moteur est exempt de défauts de matériaux et de fabrication qui feraient que ce moteur ne se conforme pas aux règlements de l'EPA pendant sa période de garantie.

Pour les composants énumérés dans le paragraphe PIÈCES COUVERTES PAR L'ASSURANCE, le Centre de Service d'Usine Makita ou le Centre de Service autorisé par MAKITA effectuera gratis le diagnostic, la réparation, ou le remplacement nécessaire pour s'assurer que le moteur est bien conforme aux règlements applicables de l'EPAP, États-Unis.

## PÉRIODE DE GARANTIE CONTRE DÉFAUTS DE COMPOSANTS D'ÉMISSIONS

La période de garantie pour ce moteur commence à la date de vente à l'acheteur initial et continue pendant une période de deux ans.

## PIÈCES COUVERTES PAR L'ASSURANCE

Les pièces couvertes par la garantie contre défauts de composants d'émission sont énumérées ci-dessous. Certaines pièces indiquées peuvent exiger un entretien programmé et sont couvertes par la garantie jusqu'au premier point de rechange programmé pour cette pièce même.

- (1) Système de mesure de combustible
  - (i) Carburateur et pièces internes (et/ou régulateur de pression ou système d'injection de combustible).
  - (ii) Système de commande et rétroaction de rapport air/combustible, si applicable.
  - (iii) Système d'enrichissement en démarrage à froid, si applicable.
  - (iv) Ensemble de régulateur (combustible gazeux, si applicable)
- (2) Système d'induction d'air
  - (i) Tubulure de prise, si applicable
  - (ii) Filtre à air
- (3) Circuit d'allumage
  - (i) Bougies d'allumage.
  - (ii) Magnéto ou circuit d'allumage électronique.
  - (iii) Système d'avance/retard d'étincelle, if applicable.
- (4) Tubulure d'échappement, si applicable
- (5) Articles divers utilisés dans les systèmes mentionnés ci-dessus
  - (i) Commandes électroniques, si applicable
  - (ii) Tuyaux, ceintures, connecteurs et ensembles.
  - (iii) Ensemble de blocage de filtre (combustible gazeux, si applicable)

## COMMENT OBTENIR LE SERVICE DE GARANTIE

Pour obtenir le service de garantie, emmenez votre moteur chez le Centre de Service d'Usine Makita le plus proche ou le Centre de Service autorisé par MAKITA. Présentez vos reçus d'achat indiquant la date de l'achat du moteur. Le Centre de Service d'Usine Makita ou le Centre de Service autorisé par MAKITA effectuera les réparations ou réglages nécessaires dans les limites de temps suffisantes et vous fournira une copie de commande de réparation. Toutes les pièces et tous les accessoires remplacés par cette garantie deviennent propriété de MAKITA.

## CE QUI N'EST PAS COUVERT PAR LA GARANTIE

\*Conditions résultant de tréfilage, d'abus dans l'usage, de réglage incorrect (à moins qu'ils n'aient été effectués par le Centre de Service d'Usine Makita ou le Centre de Service autorisé par MAKITA pendant la réparation de garantie), de modification, d'accident, de défaut dans l'utilisation du combustible et de l'huile recommandés, ou de la non-exécution des services d'entretien requis.

\*Pièces de rechange utilisées pour des services d'entretien requis.

\*Dommages consécutifs tels que perte de temps, dérangement, perte d'usage du moteur ou de l'équipement, etc...

\*Frais de diagnostic et d'inspection qui ne résultent pas en l'exécution du service garantie éligible.

\*Toute pièce de rechange non autorisée, ou défaut de fonctionnement des pièces autorisées dues à l'usage de pièces non autorisées.

## RESPONSABILITÉS DE GARANTIE DU PROPRIÉTAIRE

En tant que propriétaire du moteur, vous êtes responsable de l'exécution de l'entretien requis indiqué dans votre Manuel du Propriétaire. MAKITA recommande de conserver tous les reçus couvrant l'entretien de votre moteur, mais ne pourra pas refuser la garantie seulement pour manque de reçus ou pour la non-exécution de tout entretien programmé.

En tant que propriétaire de ce moteur, vous devriez cependant prendre note que MAKITA pourrait refuser l'assurance de garantie si votre moteur ou une pièce a fait défaut en raison d'abus, de négligence, d'un entretien incorrect ou de modifications non approuvées.

Vous êtes responsable de présenter votre moteur au Centre de Service d'Usine Makita ou au Centre de Service autorisé par MAKITA quand un problème se présente.

Si vous avez une question quelconque à nous poser concernant vos droits et responsabilités de garantie, nous vous prions d'entrer en contact avec le Département du Service de Garantie MAKITA au numéro 1-800-4-MAKITA pour obtenir les informations nécessaires.

## FAITS QUE VOUS DEVRIEZ SAVOIR CONCERNANT L'ENTRETIEN ET LES RÉPARATIONS DE GARANTIE DU SYSTÈME DE COMMANDE D'ÉMISSION

Vous êtes responsable de l'entretien approprié de votre moteur. Vous devriez conserver tous les reçus et données d'entretien couvrant l'exécution de l'entretien régulier au cas où des questions se présentent. Ces reçus et données d'entretien devraient être transférés à chaque propriétaire de moteur subséquent. MAKITA se réserve le droit de refuser l'assurance de garantie si le moteur n'a pas été entretenu correctement. Cependant, les réclamations de garantie ne seront pas refusées, seulement pour les raisons de manque d'entretien ou de négligence dans la conservation des données d'entretien.

L'ENTRETIEN, LE REMPLACEMENT OU LA RÉPARATION DES DISPOSITIFS ET SYSTÈMES DE COMMANDE D'ÉMISSION PEUVENT ÊTRE EXÉCUTÉS PAR N'IMPORTE QUEL ÉTABLISSEMENT DE RÉPARATION OU PERSONNEL QUALIFIÉE; CEPENDANT, LES RÉPARATIONS DE GARANTIE DOIVENT ÊTRE EXÉCUTÉES PAR UN CENTRE DE SERVICE D'USINE MAKITA OU UN CENTRE DE SERVICE AUTORISÉ PAR MAKITA. L'UTILISATION DE PIÈCES QUI NE SONT PAS ÉQUIVALENTES AUX PIÈCES AUTORISÉES QUANT À LA PERFORMANCE ET DURÉE DE SERVICE PEUT ALTÉRER L'EFFICACITÉ DU SYSTÈME DE COMMANDE D'ÉMISSION ET INFLUENCER LES RÉSULTATS D'UNE RÉCLAMATION DE GARANTIE.

Si d'autres pièces autorisées par MAKITA sont utilisées pour des remplacements d'entretien ou pour la réparation des composants affectant la commande d'émission, vous devriez vous assurer que de telles pièces sont garanties par leur fabricant pour être équivalentes aux pièces autorisées par MAKITA quant à leur performance et durée de service.

## COMMENT EFFECTUER UNE RÉCLAMATION

Toute réparation pouvant se qualifier sous cette garantie limitée doit être exécutée par un Centre de Service d'Usine Makita ou un Centre de Service autorisé par MAKITA. Au cas où une pièce quelconque relative à l'émission s'avérerait défectueuse pendant la période de garantie, nous vous prions de signaler ce fait au Département de Garantie de Makita au numéro 1-800-4-MAKITA et vous serez informé au sujet du centre de service de garantie ou des fournisseurs de service appropriés où la réparation de garantie pourra être exécutée.

## CENTRES DE SERVICE D'USINE AU CANADA FACTORY

### BRITISH COLUMBIA

#### RICHMOND

(Vancouver Regional Office)

11771 Hammersmith Way, Richmond, V7A.5H6

Tel. 1.800.663.0909 or 604.272.3104

Fax.604.272.5416

#### COQUITLAM

Unit 103, 2131 Hartley Avenue, Coquitlam, V3K.2Z3

Tel. 604.525.7434 or 1.800.266.7738

Fax.604.525.7435

### ALBERTA

#### CALGARY

#8-6115 Fourth Street S.E., Calgary, T2H.2H9

Tel. 1.800.267.0445 or 403.243.3995

Fax.403.287.3044

#### EDMONTON

11614-149 Street, Edmonton, T5M.3R3

Tel. 1.888.455.6644 or 780.455.6544

Fax.780.451.4877

### SASKATCHEWAN

#### SASKATOON

206A-2750 Faithful Avenue, Saskatoon, S7K.6M6

Tel. 1.888.931.0111 or 306.931.0111

Fax.306.931.4574

### MANITOBA

#### WINNIPEG

1670 St. James Street, Winnipeg, R3H.0L3

Tel. 1.800.550.5073 or 204.694.0402

Fax.204.694.5782

### ONTARIO

#### LONDON

317 Adelaide Street S., Unit 117, London, N5Z.3L3

Tel. 1.800.571.0899 or 519.686.3115

Fax.519.686.4347

#### MISSISSAUGA

6350 Tomken Road, Unit 8 Mississauga, L5T.1Y3

Tel. 1.888.221.9811 or 905.670.7255

Fax.905.670.0120

#### OTTAWA (Nepean)

210 Colonnade Road S, Unit #10, Ottawa (Nepean),

K2E.7L5

Tel. 1.888.560.2214 or 613.224.5022/5088

Fax.613.224.2360

#### WHITBY

(Toronto Head Office)

1950 Forbes Street, Whitby, L1N.7B7

Tel. 1.800.263.3734 or 905.571.2200

Fax.905.433.4779

### QUÉBEC

#### ST. LEONARD

(Montréal Bureau Régional)

6389 Boul, Couture, St. Leonard, H1P.3J5

Tél. 1.800.361.7049 or 514.323.1223

Fax.514.323.7708

#### VILLE ST. LAURENT

1140 Rue Bégin, Ville St. Laurent, H4R 1X1

Tél. 1.888.745.5025 or 514.745.5025

Fax.514.745.6141

#### LES SAULES

1200 St. Jean Baptiste, Unit 106, Québec (Les Saules),

G2E.5E8

Tél. 1.800.663.5757 or 418.871.5720

Fax.418.871.6684

### NOVA SCOTIA

#### DARTMOUTH

202 Brownlow Avenue, Dartmouth, B3B.1T5

Tel. 1.888.625.4821 or 902.468.7064

Fax.902.468.3551

## AVANT-PROPOS

Nous vous remercions d'avoir acquis un **GÉNÉRATEUR MAKITA**.

Ce manuel décrit le fonctionnement et l'entretien du **GÉNÉRATEUR MAKITA**.

Ce **GÉNÉRATEUR MAKITA** peut être utilisé pour les équipements électriques généraux, appareils électriques, lampes, outils, comme source de courant alternatif. Quant à l'application à C.C., les bornes sont utilisées seulement pour charger la batterie de 12 volts. Ne jamais utiliser ce groupe électrogène pour aucun autre but.

Prenez quelques instants pour vous familiariser avec les procédures de fonctionnement et d'entretien afin d'utiliser ce produit dans les meilleures conditions possibles de sécurité et de performance.

Conservez ce manuel à portée de main pour vous y reporter lorsque cela est nécessaire.

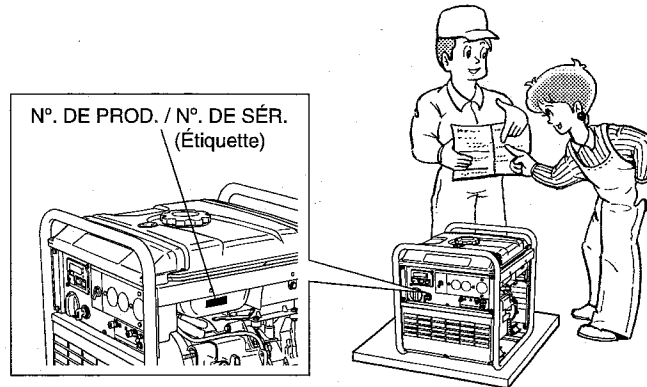
Dans le souci d'une amélioration constante de la qualité de nos produits, nous nous réservons le droit de procéder sans préavis à la modification de certains processus et de certaines caractéristiques.

À la commande de pièces de rechange, veuillez toujours nous indiquer le **MODÈLE**, le **NUMÉRO DE PRODUCTION (No. DE PROD.)** et le **NUMÉRO DE SÉRIE (No. DE SÉR.)** de votre produit.

Veuillez compléter les parties en blanc suivantes après vérification du numéro de production indiqué sur votre produit. (L'emplacement de l'étiquette varie selon le modèle de produit).

PROD NO.									

SER NO.									



## TABLE DES MATIÈRES

1. SAFETY PRECAUTIONS .....	2
2. COMPOSANTS .....	5
3. CONTRÔLES PRÉ-OPÉRATOIRES .....	5
4. MODES OPÉRATOIRES .....	6
5. INFORMATION D'ALIMENTATION EN WATTS .....	9
6. INTERCEPTEUR D'ÉTINCELLE .....	11
7. PROGRAMME D'ENTRETIEN .....	12
8. ENTRETIEN "COMMENT PROCÉDER" .....	14
9. FONCTIONNEMENT PÉRIODIQUE ET INSPECTION .....	16
10. TRANSPORT .....	16
11. PRÉPARATION AU MAGASINAGE .....	17
12. DÉPANNAGE .....	17
13. FICHE TECHNIQUE .....	18
14. DIAGRAMME DE CÂBLAGE .....	19

**NOTE** Voir les illustrations au dos de la page de couverture ou de la dernière page pour les Fig. ① à ⑥ spécifiées dans le texte.



# 1. PRÉCAUTIONS DE SÉCURITÉ

Veillez vous assurer d'avoir passé en revue chaque précaution soigneusement.  
Prêtez une attention particulière à la description précédée par les mots suivants.

**⚠ AVERTISSEMENT** "AVERTISSEMENT" indique une forte possibilité de blessures graves ou mortelles si les instructions ne sont pas observées.

**⚠ ATTENTION** "ATTENTION" indique une possibilité de blessures ou dommages aux équipements si les instructions ne sont pas observées.

## ⚠ AVERTISSEMENT

Ne pas opérer le groupe électrogène en présence d'essence ou de carburant à base de gaz en raison du danger potentiel d'explosion ou d'incendie.  
Ne pas remplir le réservoir de carburant pendant que le moteur tourne. Ne pas fumer ou ne pas utiliser de flamme nue au voisinage du réservoir de carburant. Faire attention à ne pas renverser le carburant pendant le réapprovisionnement en carburant. Si on renverse du carburant, nettoyer et laisser sécher avant de mettre le moteur en marche.

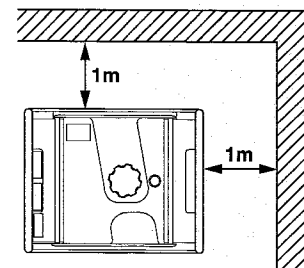
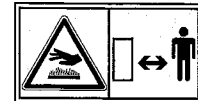


## ⚠ AVERTISSEMENT

Ne pas placer de matériel inflammable au voisinage du groupe électrogène.  
Faire attention à ne pas placer du carburant, des allumettes, de la poudre de fusil, des tissus huileux, de la paille, de déchets, ou tout autre matériel inflammable près du groupe électrogène.

## ⚠ AVERTISSEMENT

Ne pas faire fonctionner le groupe électrogène à l'intérieur d'une pièce, d'une grotte, d'un tunnel ou de tout autre emplacement aéré insuffisamment. Opérer toujours dans un emplacement bien aéré, sinon le moteur risque de se surchauffer, et du monoxyde de carbone toxique contenu dans les gaz d'échappement mettra en danger les vies humaines.  
Éloigner le groupe électrogène à au moins 1 mètre (3 pieds) de n'importe quelle construction ou bâtiment pendant son utilisation.  
Si le groupe électrogène doit être utilisé à l'intérieur, l'emplacement doit être bien aéré et une attention extrême devra être prise concernant l'évacuation des gaz d'échappement.



## ⚠ AVERTISSEMENT

Le groupe électrogène ne doit être ni encastré ni placé dans un coffre.  
Le groupe électrogène est équipé d'un système de refroidissement à air forcé incorporé, et il risque de surchauffer s'il est enfermé. Si le groupe électrogène a été recouvert pour le protéger contre les intempéries lorsqu'il n'est pas en service, s'assurer de l'enlever et de l'éloigner de l'emplacement lors de la remise en service du groupe électrogène.

## ⚠ AVERTISSEMENT

Utiliser le groupe électrogène sur une surface bien à niveau. Il n'est pas nécessaire de préparer une base spéciale pour le groupe électrogène. Cependant, le groupe électrogène vibrera sur une surface irrégulière, et dans ce cas choisir un endroit bien à niveau sans irrégularités en surface.

Si le groupe électrogène est incliné ou déplacé lors du fonctionnement, le carburant peut être déversé et/ou le groupe électrogène peut se renverser, ceci causant une situation dangereuse.

Une lubrification appropriée ne peut pas être prévue si le groupe électrogène est actionné en pente ou pente raide. Dans ce cas, un grippage des pistons peut se produire même si l'huile se trouve au-dessus du niveau supérieur.

## ⚠ AVERTISSEMENT

Faire bien attention au câblage ou aux rallonges reliant le groupe électrogène au dispositif raccordé. Si le fil se trouve sous le groupe électrogène ou est en contact avec une partie vibrante, il peut se rompre et causer un incendie, le groupe électrogène peut brûler, ou occasionner un risque de choc électrique.  
Remplacer immédiatement les câbles endommagés ou usés.



### **⚠ AVERTISSEMENT**

Ne pas utiliser cette machine sous la pluie, dans des conditions humides ou avec les mains mouillées. L'opérateur risque un choc électrique sérieux si le groupe électrogène est mouillé par suite de pluie ou neige.

### **⚠ AVERTISSEMENT**

Si le groupe électrogène est mouillé, l'essuyer et le sécher correctement avant de commencer les travaux. Ne pas verser de l'eau directement sur le groupe électrogène ni le laver avec de l'eau.

### **⚠ AVERTISSEMENT**

Faire très attention, à chaque utilisation, que toutes les méthodes de mise à la masse électrique nécessaires soient bien observées. Si les précautions ne sont pas observées, on risque de causer un danger mortel.

### **⚠ AVERTISSEMENT**

Ne pas mettre le groupe électrogène en contact avec une ligne d'alimentation de type commerciale. Le branchement à une ligne d'alimentation de type commerciale peut court-circuiter le groupe électrogène et l'endommager ou causer un risque de choc électrique. Utiliser l'interrupteur de transfert pour brancher au circuit domestique.



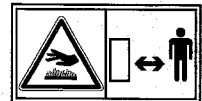
### **⚠ AVERTISSEMENT**

Ne pas fumer pendant que l'on manipule la batterie. La batterie émet du gaz d'hydrogène inflammable, qui peut éclater s'il est exposé à un arc électrique ou à une flamme nue. Maintenir l'emplacement bien aéré et éloigner les flammes nues ou étincelles pendant que l'on manipule la batterie.



### **⚠ AVERTISSEMENT**

Le moteur devient extrêmement chaud pendant une certaine période après les opérations. Éloigner les matériaux combustibles de l'emplacement du groupe électrogène. Faire très attention à ne toucher à aucune pièce du moteur chaud, particulièrement à l'emplacement du silencieux d'échappement car des brûlures sérieuses peuvent en résulter.



### **⚠ AVERTISSEMENT**

Éloigner les enfants et tous les spectateurs à une distance sûre des zones de travail.

### **⚠ AVERTISSEMENT**

Il est absolument essentiel que vous procédiez à une utilisation appropriée et en toute sécurité de la machine ou de l'appareil électrique que vous allez utiliser. Tous les opérateurs doivent lire, comprendre et suivre soigneusement les instructions données dans les manuels des propriétaires des outils et appareils électriques. Les applications et limitations d'outils et appareils électriques doivent être bien comprises.

Il est recommandé de suivre toutes les directions données sur les étiquettes et dans les avertissements. Conservez tous les manuels d'instructions et la littérature dans un endroit sûr pour une future référence.

### **⚠ AVERTISSEMENT**

Utiliser seulement les câbles de rallonge "SPÉCIFIÉS".

Quand on utilise un outil ou un appareil à l'extérieur, utiliser seulement les câbles de rallonge marquées "Pour usage extérieur".

Les câbles de rallonge, quand ils ne sont pas en service, devraient être rangés dans un emplacement sec et bien aéré.

### **⚠ AVERTISSEMENT**

Déconnecter toujours le disjoncteur à C.A. du groupe électrogène et débrancher les outils ou appareils quand ils ne sont pas en service, avant d'effectuer l'entretien, le réglage ou l'installation des accessoires et pièces de fixation.

### **⚠ ATTENTION**

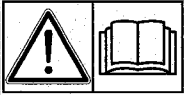



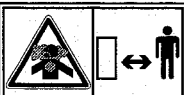



S'assurer que le moteur est bien arrêté avant de commencer tous travaux de service, entretien ou réparation.

### **NOTE :**

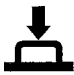



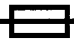










S'assurer que l'entretien et la réparation du groupe électrogène sont exécutés seulement par un personnel bien qualifié.

## Symboles et significations

Selon les normes européennes (Directives CEE), les symboles indiqués dans le tableau suivant sont utilisés pour les produits et ce mode d'emploi.

	Lire soigneusement le manuel d'instructions de l'opérateur.		Éviter toute présence de feu, de flamme nue ou de fumer.
	S'éloigner de toute surface chaude.		Attention, risque de choc électrique.
	Le gaz d'échappement est toxique. Ne pas opérer la machine dans une salle non aérée.		Ne pas brancher le groupe électrogène à une ligne d'alimentation de type commercial.
	Arrêter le moteur avant d'effectuer le réapprovisionnement en carburant.		CHAUD, éviter de toucher l'emplacement chaud.

FRANÇAISE

	MARCHE (alimentation et moteur)		Position ENTRÉE d'une bouton-poussoir bistable		Démarrage du moteur (démarrage électrique)
○	ARRÊT (alimentation et moteur)		Masse de protection (terre)		Arrêt du moteur
~	Courant alternatif		Fusible		Essence
≡	Courant continu		Huile à moteur		Rapide
+	Positive; polarité positive		Ajouter de l'huile.		Lent
-	Négative; polarité négative		Condition de chargement de la batterie		Démarrage carburant
	Position SORTIE d'une bouton-poussoir bistable		Volet d'air; Assistance de démarrage à froid		Arrêt carburant

$P_r$	Puissance nominale (kW)	$COP$	Alimentation continue	$\cos\phi_r$	Facteur d'alimentation nominale
$f_r$	Fréquence nominale (Hz)	$U_r$	Tension nominale (V)	$I_r$	Courant nominal (A)
$H_{max}$	Altitude maximum de l'emplacement au-dessus du niveau de la mer (m)	$T_{max}$	Température ambiante maximum (°C)	m	Masse (kg)

## 2. COMPOSANTS (Voir Fig. ①)

### NOTE

Voir les illustrations au dos de la page de couverture ou de la dernière page pour les Fig. ① à ⑥ spécifiées dans le texte.

- ① TABLEAU DE COMMANDE
- ② ARMATURE
- ③ JAUGE DE CARBURANT
- ④ RÉSERVOIR DE CARBURANT
- ⑤ DÉMARREUR À REcul (POIGNÉE)
- ⑥ ORIFICE D'ÉCHAPPEMENT
- ⑦ TAQUET
- ⑧ TAMIS DE CARBURANT
- ⑨ FILTRE À AIR
- ⑩ BATTERIE
- ⑪ CAPUCHON DE BOUGIE D'ALLUMAGE
- ⑫ BOUCHON DE VIDANGE D'HUILE
- ⑬ INDICATEUR DE NIVEAU DE L'HUILE (REMPLISSEUR D'HUILE)

## 3. CONTRÔLES PRÉ-OPÉRATOIRES (Voir Fig. ②)

### 1. VÉRIFIER L'HUILE À MOTEUR (Voir Fig. ②-①,②)

Avant de vérifier ou remplir l'huile, s'assurer que le groupe électrogène est placé sur une surface stable et à niveau avec le moteur arrêté.

- Enlever le bouchon du remplisseur d'huile et vérifier le niveau de l'huile à moteur. (Voir Fig. ②-①)
  - ① INDICATEUR DE NIVEAU DE L'HUILE
  - ② REMPLISSEUR D'HUILE
  - ③ NIVEAU SUPÉRIEUR ④ NIVEAU INFÉRIEUR
- Si le niveau d'huile se trouve au-dessous de la ligne inférieure, remplir avec de l'huile appropriée (voir le tableau) à la ligne du niveau supérieur. Ne pas visser le bouchon du remplisseur d'huile lorsque l'on vérifie le niveau d'huile. (Voir Fig. ②-②)
  - ① NIVEAU SUPÉRIEUR ② NIVEAU INFÉRIEUR
- Changer l'huile si elle est souillée. (Voir la section Entretien "Comment procéder".)

#### Capacité d'huile :

Modèle	Niveau supérieur
G2800N	0,6 litres (0.63 qts)
G3200N	0,6 litres (0.63 qts)
G4300N	1,0 litres (1.06 qts)

#### Huile à moteur recommandée:

Utiliser l'huile détersive pour véhicules à moteur à 4 temps de la Classe de service API SE ou de qualité supérieure (SG, SH ou SJ est recommandé).

SAE 10W-30 ou 10W-40 est recommandé pour l'usage général, à toute température. Si de l'huile de viscosité simple est utilisée, choisir la viscosité appropriée pour la température moyenne dans votre localité.

Monograde	5W	10W	20W	#20	#30	#40	
Multigrade	10W-30		10W-40				
Température ambiante	-20	-10	0	10	20	30	40°C
	-4	14	32	50	68	86	104°F

## 2. VÉRIFIER LE CARBURANT DU MOTEUR (Voir Fig. ②-③,④)

### ⚠ AVERTISSEMENT

Ne pas réapprovisionner en carburant tout en fumant ou ne pas s'approcher de la flamme nue ou d'autres emplacements à risque potentiel d'incendie. Sinon un incendie risque de se produire.

- Vérifier le niveau de carburant avec la jauge de niveau de carburant. (Voir Fig. ②-④)
  - ① VIDE (E)
  - ② PLEIN (F)
  - ③ REPÈRE "NIVEAU"
  - ④ LIGNE DU NIVEAU DE CARBURANT
- Si le niveau de carburant est bas, remplir avec de l'essence pour véhicules à moteur sans plomb.
- S'assurer d'utiliser le tamis de filtre d'essence sur le goulot du filtre d'essence. (Voir Fig. ②-③)
  - ① TAMIS DE FILTRE D'ESSENCE
  - ② BOUCHON DU RÉSERVOIR

#### Capacité du réservoir de carburant :

G2800N	10,8 litres (2.9 US gal.)
G3200N	10,8 litres (2.9 US gal.)
G4300N	12,8 litres (3.4 US gal.)

### ⚠ AVERTISSEMENT

S'assurer de revoir chaque avertissement afin d'éviter tout risque d'incendie.

- Ne pas remplir le réservoir pendant que le moteur est en fonctionnement ou est réchauffé.
- Fermer le robinet de carburant avant de réapprovisionner en carburant.
- Ne pas laisser la poussière, saleté, l'eau ou autres corps étrangers pénétrer dans le carburant.
- Nettoyer à fond le carburant renversé avant de mettre le moteur en marche.
- Éloigner toute présence de flammes nues.

## 3. VÉRIFICATION DES COMPOSANTS

Vérifier les articles suivants avant de mettre le moteur en marche:

- Fuite de carburant au tuyau de carburant, etc.
- Boulons et écrous pour voir s'il y a desserrage.
- Composants pour voir s'il y a des dommages ou une rupture.
- Groupe électrogène ne se reposant pas sur ou contre tout câblage adjacent.

#### 4. VÉRIFIER L'ENVIRONNEMENT DU GROUPE ÉLECTROGÈNE.

##### ⚠ AVERTISSEMENT

S'assurer de bien revoir chaque avertissement pour éviter tout risque d'incendie.

- Maintenir l'emplacement exempt de produits inflammables ou autres matériaux dangereux.
- Éloigner le groupe électrogène à au-moins 1 mètre des bâtiments ou autres constructions.
- Opérer seulement le groupe électrogène dans un emplacement bien sec et aéré.
- Maintenir le tuyau d'échappement exempt de corps étrangers.
- Éloigner le groupe électrogène de toute présence de flamme nue. Ne pas fumer!
- Placer le groupe électrogène sur une surface stable et à niveau.
- Ne pas bloquer les événements du groupe électrogène avec du papier ou tout autre matériel.

#### 5. MISE À LA MASSE DU GROUPE ÉLECTROGÈNE

- Pour mettre le groupe électrogène à la masse, connecter la patte de mise à la masse du groupe électrogène à la pointe enfoncée dans la terre ou au conducteur qui a été déjà mis à la masse. (Voir Fig. [2]-[5])
  - ① POINTE DE LA MASSE
- Si un tel conducteur ou électrode de mise à la masse n'est pas disponible, connecter la patte de mise à la masse du groupe électrogène à la borne de mise à la masse de l'outil ou de l'appareil électrique utilisé. (Voir Fig. [2]-[6])
  - ① BORNE DE MISE À LA MASSE

#### 4. MODES OPÉRATOIRES

(Voir Fig. [3], [4])

##### 1. MISE EN MARCHÉ DU GROUPE ÉLECTROGÈNE

##### ⚠ ATTENTION

Vérifier le niveau d'huile avant chaque opération comme décrit à Page 5.

- (a) S'assurer que l'appareil est bien débranché.
- (b) Placer l'interrupteur du moteur dans la position "N" (VOLET D'AIR). (quand le moteur est réchauffé ou la température est élevée, mettre le moteur en marche avec l'interrupteur à la position "M" (MARCHÉ)). (Voir Fig. [3]-[1])
- ① "N" (ARRÊT)
  - ② "N" (VOLET D'AIR)

##### ⚠ ATTENTION

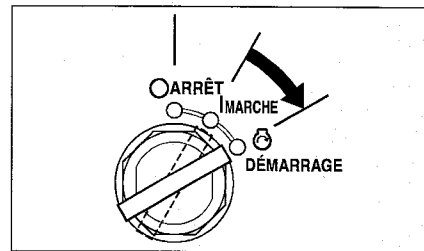
- Ne pas connecter des appareils défectueux y compris conduites et prises.
- S'assurer que des appareils ne sont pas branchés au groupe électrogène au moment de la mise en marche. La mise en marche du groupe électrogène avec un appareil branché peut résulter en un endommagement au groupe électrogène et/ou à l'appareil, ainsi que des risques de blessures à l'opérateur.

- (c) [Modèle du démarreur à recul]  
Tirer la poignée du démarreur lentement jusqu'à ce que l'on dépasse le point de compression (une résistance sera ressentie), puis remettre la poignée à sa position d'origine et tirer plus rapidement. (Voir Fig. [3]-[2])
- ① POIGNÉE DU DÉMARREUR À RECUL
  - ② TIRER RAPIDEMENT
- (d) Après la mise en marche, laisser la poignée du démarreur retourner toujours à sa position d'origine avec la poignée dans sa main.

##### NOTE


Quand le moteur ne démarre pas après plusieurs tentatives, répéter les méthodes de démarrage mentionnées ci-dessus avec l'interrupteur du moteur réglé à la position "M" (MARCHÉ).



- (e) [Modèle de démarreur électrique]  
Insérer la clef dans l'interrupteur principal et la tourner dans le sens des aiguilles d'une montre à la position "I" (MARCHÉ) pour mettre le moteur en marche. Puis régler la clef à la position "D" (DÉMARRAGE). Le moteur démarrera en mettant le moteur en marche.



##### ⚠ ATTENTION

- Ne pas faire marcher le moteur de démarrage pendant plus de 5 secondes sans interruption. Si le moteur ne démarre pas, remettre la clef à la position "I" (MARCHÉ) et attendre environ 10 secondes, puis démarrer de nouveau.
- Ne pas régler l'interrupteur principal à la position "D" (DÉMARRAGE) quand le moteur tourne pour éviter tous dommages au moteur de démarrage.
- Lorsque l'on met le moteur en marche au moyen du démarreur à recul, régler l'interrupteur principal à la position "I" (MARCHÉ), puis tirer la poignée du démarreur.

- (f) Après 20 à 30 secondes de préchauffage, régler l'interrupteur du moteur à la position "  " (MARCHE). (Voir Fig. ③-③)

① "  " (VOLET D'AIR)    ② "  " (MARCHE)

- (g) En changeant l'affichage LE du multi-moniteur à l'indication "tension", s'assurer que la tension de génération se trouve bien à un niveau normal (C.A. 230 V).

## NOTE

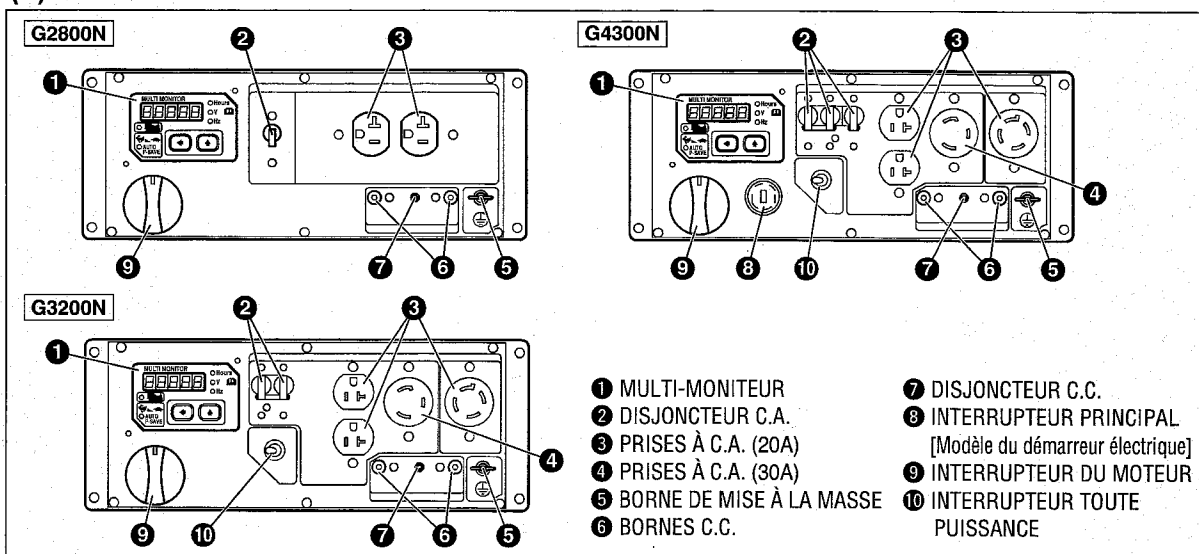
- Si l'affichage indique la tension "0", placer le disjoncteur de C.A. à la position "ON" (marche).
- Si aucune condition de génération n'est observée, consulter la fabrique Makita la plus proche ou un centre de service agréé.

## 2. UTILISATION D'ÉLECTRICITÉ

### ⚠ AVERTISSEMENT

- S'assurer que l'appareil est commuté à la position DÉCONNECTÉ avant de le brancher au groupe électrogène.
- Ne pas déplacer le groupe électrogène pendant qu'il fonctionne.
- S'assurer de mettre le groupe électrogène à la masse si l'appareil branché est mis à la masse. Si on ne met pas l'unité à la masse, on risque de causer une secousse électrique.

### (1) TABLEAU DE COMMANDE



### MULTI-MONITEUR

#### ① Affichage LE

Les heures de fonctionnement, la tension et la fréquence sont indiquées tour à tour en pressant l'inverseur d'affichage LE.

#### ② Témoin d'heures d'opération

Le témoin (rouge) est allumé en commutant à l'indication d'heures d'opération à l'affichage LE.

#### ③ Témoin de tension

Le témoin (rouge) est allumé en commutant à l'indication de la tension à l'affichage LE.

#### ④ Témoin de fréquence

Le témoin (rouge) est allumé en commutant à l'indication de la fréquence à l'affichage LE.

#### ⑤ Inverseur d'affichage LE

En pressant cet interrupteur, l'indication à l'affichage LE est changée tour à tour; heures d'opération → tension → fréquence → heures d'opération.

En mettant le moteur en marche, l'heure d'opération est indiquée à l'affichage LE tout d'abord.

#### ⑥ Interrupteur de marche au ralenti

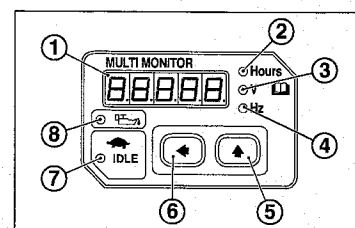
Quand cet interrupteur est pressé, la fonction de marche au ralenti est activée.

#### ⑦ Témoin de marche au ralenti

Le témoin (vert) est illuminé pendant que la fonction de marche au ralenti est activée.

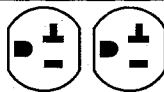


#### ⑧ Témoin d'avertissement du niveau d'huile à moteur

Quand le niveau d'huile à moteur est inférieur au niveau indiqué, ce témoin est allumé. Le moteur s'arrêtera dans ce cas.



**(2) APPLICATION C.A. (Voir Fig. 4-①,②)**

- (a) S'assurer que l'affichage LE indique bien la tension "120".
- (b) Déconnecter les interrupteurs des appareils électriques avant de brancher au groupe électrogène.
- (c) Insérer les fiches des appareils électriques dans le prise. (Voir Fig. 4-①)
- Vérifier l'ampérage des prises utilisé en se rapportant au **TABLEAU 1**, et s'assurer de ne pas adopter un courant excédant l'ampérage spécifié.
  - S'assurer que toute l'alimentation en watts de tous les appareils ne dépasse pas la sortie nominale du groupe électrogène.

Modèle	Ampère	Prise	Prise à C.A.	Description
	Jusqu'à 20 A	NEMA 5-20R	NEMA 5-20P	Prise duplex
	Jusqu'à 30 A	NEMA L5-30R	NEMA L5-30P	Prise de verrouillage
	Jusqu'à 20 A	NEMA L14-20R	NEMA L14-20P	Prise de verrouillage

**TABLEAU 1****⚠ AVERTISSEMENT**

- Pour fournir l'alimentation à partir de la **PRISE DE BLOCAGE À TORSION**, insérer la fiche dans la prise, et la tourner dans le sens des aiguilles d'une montre à la position de blocage. (Voir Fig. 4-②)
- S'assurer de mettre le groupe électrogène à la masse si le dispositif électrique branché est mis à la masse.

**NOTE**

Quand le disjoncteur à C.A. est débranché, la sortie à C.A. est mise hors tension car le fonctionnement du groupe électrogène est en surcharge ou l'appareil (ou les appareils) sera (seront) en panne.

Dans ce cas, arrêter le groupe électrogène immédiatement et vérifier le groupe électrogène et/ou les appareils pour voir s'il y a surcharge.

- (d) Activer l'interrupteur de l'appareil.

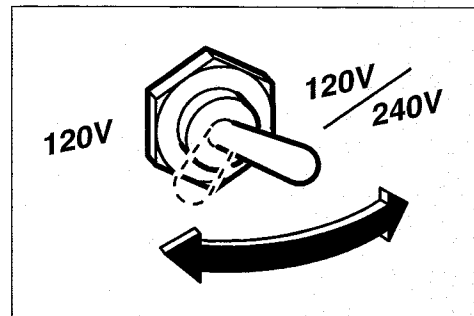
**(3) INTERRUPTEUR TOUTE PUISSANCE**

Choisir la tension à l'aide de l'INTERRUPTEUR TOUTE PUISSANCE selon le type de l'appareil électrique.

Se référer au **TABLEAU 2**.

**⚠ ATTENTION**

**Changer l'INTERRUPTEUR TOUTE PUISSANCE après le réglage du disjoncteur à C.A. sur "OFF".**

**NOTE**

Le voltmètre indique toujours la tension plus basse quelque soit le réglage de l'INTERRUPTEUR TOUTE PUISSANCE.

Position de l'interrupteur	Prise de basse tension	Prise de haute tension
120V	Sortie nominale entièrement activée	Non disponible
120/240V	Sortie nominale à moitié activée	Sortie nominale entièrement activée

**TABLEAU 2****(4) APPLICATION C.C. (Voir Fig. 4-③)**

La borne C.C. est utilisée seulement pour charger des batteries de 12 volts. Elle fournit jusqu'à 12 V-8,3 A (100 W) d'alimentation maximum.

- ① Borne positive (ROUGE)
- ② Borne négative (NOIRE)





## BRANCHEMENT DE CÂBLE :

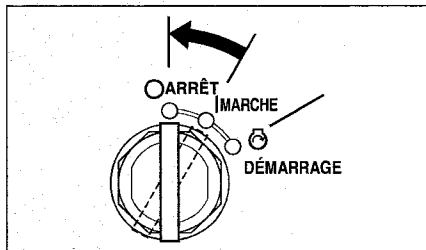
- Connecter la borne positive (rouge) sur le groupe électrogène à la borne positive (+) de la batterie.
- Connecter la borne négative (noire) sur le groupe électrogène à la borne négative (-) de la batterie.

## PRÉCAUTIONS DE SÉCURITÉ DURANT LE CHARGEMENT

- Du gaz d'hydrogène explosif est déchargé à travers les trous de passage dans la batterie pendant le chargement. Ne pas produire d'étincelle ou de flamme nue autour du groupe électrogène ou de la batterie pendant le chargement.
- Le fluide d'électrolyte risque de brûler les yeux et les vêtements.  
Faire très attention à éviter tout contact. En cas de blessure, laver l'emplacement affecté immédiatement avec de grandes quantités d'eau et consulter un docteur pour le traitement.
- En chargeant une batterie de grande capacité ou une batterie complètement déchargée, un courant excessif peut désactiver le disjoncteur C.C.  
Dans ce cas, utiliser un chargeur de batterie pour charger une batterie de grande capacité avec sortie C.A..
- Les défauts de batterie peuvent désactiver le disjoncteur C.C.  
Vérifier la batterie avant de remplacer le disjoncteur C.C.

## 3. ARRÊT DU GROUPE ÉLECTROGÈNE

- Déconnecter l'interrupteur d'alimentation de l'équipement électrique et débrancher le câble du prise du groupe électrogène.
  - Laisser le moteur refroidir pendant environ 3 minutes sans charge avant de l'arrêter.
  - Régler l'interrupteur du moteur à la position "  " (ARRÊT). (Voir Fig. 4-4)
- ① "  " (MARCHE)      ② "  " (ARRÊT)
- [modèle du démarreur électrique]**  
Régler l'interrupteur principal à la position "  " (ARRÊT).



## 4. CAPTEUR D'HUILE (Voir Fig. 4-5)

### ① CAPTEUR D'HUILE

- Le capteur d'huile détecte la chute du niveau d'huile dans le carter de vilebrequin et arrête automatiquement le moteur quand le niveau d'huile tombe au-dessous d'un niveau prédéterminé.

- Quand le moteur s'est arrêté automatiquement, débrancher le disjoncteur sans fusible du groupe électrogène, et vérifier le niveau d'huile.  
Remplir l'huile à moteur au niveau supérieur comme indiqué à Page 5 et remettre le moteur en marche.
- Si le moteur ne démarre pas avec les méthodes de démarrage habituelles, vérifier le niveau d'huile.

### ⚠ ATTENTION

**Ne pas enlever le CAPTEUR D'HUILE lorsque l'on remplit d'huile.  
Enlever le bouchon du remplisseur d'huile du côté opposé du carburateur.**

## 5. INFORMATION D'ALIMENTATION EN WATTS

Certains appareils ont besoin d'une "montée subite" d'énergie au démarrage.

Ceci signifie que la quantité de courant électrique requise pour démarrer la machine risque de dépasser la quantité requise pour maintenir son utilisation.

Les appareils et outils électriques sont fournis normalement avec une étiquette indiquant la tension, les cycles/Hz, l'ampérage (ampères) et le courant électrique nécessaires pour les faire fonctionner.

Consultez votre revendeur ou le centre commercial le plus proche pour toutes questions concernant la montée subite d'alimentation de certains appareils ou outils électriques.

- Les charges électriques telles que lampes incandescentes et plaques chaudes nécessitent la même puissance en watts pour démarrer comme nécessaire pour maintenir l'utilisation.
- Les charges telles que lampes fluorescentes ont besoin de 1,2 à 2 fois la puissance en watts indiquée pendant le démarrage.
- Les charges pour des lampes de mercure ont besoin de 2 à 3 fois la puissance en watts indiquée pendant le démarrage.
- Les moteurs électriques nécessitent un grand courant de démarrage. L'alimentation électrique dépend du type du moteur et de son utilisation. Une fois qu'une "montée subite" suffisante est atteinte pour mettre en marche le moteur, l'appareil aura besoin seulement de 50% à 30% de la puissance en watts pour continuer à fonctionner.
- La plupart des outils électriques ont besoin de 1,2 à 3 fois leur puissance en watts pour fonctionner en charge pendant l'utilisation. Par exemple, un groupe électrogène de 5000 watts peut actionner un outil électrique de 1800 à 4000 watts.
- Les charges telles que les pompes submersibles et compresseurs d'air nécessitent d'une force très grande pour démarrer. Elles ont besoin de 3 à 5 fois la puissance en watts de fonctionnement normal pour démarrer.  
Par exemple, un groupe électrogène de 5000 watts pourrait seulement actionner une pompe de 1000 à 1700 watts.



**NOTE**

Le diagramme suivant d'alimentation en watts représente seulement un guide général. Se référer à l'appareil spécifique pour l'alimentation en watts correcte.

Pour déterminer toute la alimentation en watts nécessaire pour faire fonctionner un appareil ou un outil électrique particulier, multiplier le chiffre de tension de l'appareil ou de l'outil électrique par le chiffre de l'ampérage (ampères) des mêmes appareil ou outil électrique. L'information de tension et d'ampérage (ampères) est indiquée sur la plaque de signalisation qui est normalement fixée aux appareils et outils électriques.

Applications	Wattage applicable (W)		
	G2800N	G3200N	G4300N
	60Hz		
Lampe incandescente, réchauffeur	Environ 2400	Environ 2700	Environ 3700
Lampe fluorescente, outil électrique	Environ 1200	Environ 1400	Environ 1900
Lampe de mercure	Environ 800	Environ 1000	Environ 1600
Pompe, compresseur	Environ 500	Environ 600	Environ 800

FRANÇAISE

**CHUTE DE TENSION DANS LES CÂBLES ÉLECTRIQUES DE RALLONGE**

Quand un long câble électrique de rallonge est utilisé pour brancher un appareil ou un outil au groupe électrogène, une certaine quantité de baisse ou perte de tension se produit dans le câble de rallonge, ceci réduisant la tension efficace disponible pour l'appareil ou l'outil.

Le diagramme ci-dessous a été préparé pour illustrer la perte approximative de tension quand un câble de rallonge d'environ 100 mètres (300 pieds) est utilisé pour brancher un appareil ou un outil au groupe électrogène.

Coupe nominale	A.W.G.	Courant admissible	Nombre de torons/diamètre de torons	Résistance	Ampère courant							Chute de tension
					1A	3A	5A	8A	10A	12A	15A	
mm <sup>2</sup>	No.	A	No./mm	Ω/100m	1A	3A	5A	8A	10A	12A	15A	
0,75	18	7	30/0,18	2,477	2,5V	8V	12,5V	—	—	—	—	
1,27	16	12	50/0,16	1,486	1,5V	5V	7,5V	12V	15V	18V	—	
2,0	14	17	37/0,26	0,952	1V	3V	5V	8V	10V	12V	15V	
3,5	12 à 10	23	45/0,32	0,517	—	1,5V	2,5V	4V	5V	6,5V	7,5V	
5,5	10 à 8	35	70/0,32	0,332	—	1V	2V	2,5V	3,5V	4V	5V	

## 6. INTERCEPTEUR D'ÉTINCELLE

Dans une localité sèche ou boisée, il est recommandé d'utiliser le produit avec un intercepteur d'étincelle. Quelques localités exigent l'utilisation d'un intercepteur d'étincelle. Veuillez vérifier vos lois et règlements locaux avant de faire fonctionner votre produit.

L'intercepteur d'étincelle doit être nettoyé régulièrement pour qu'il puisse continuer à fonctionner comme conçu.

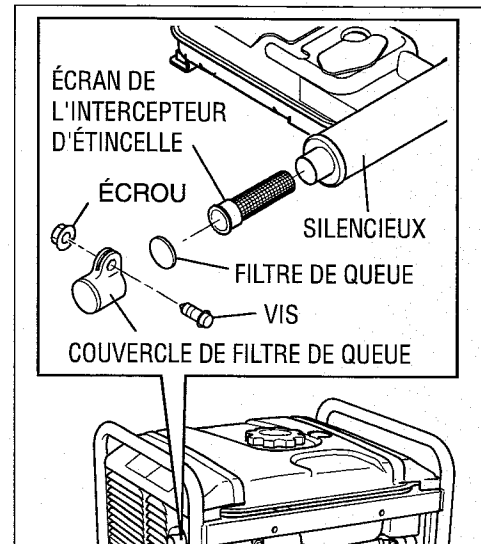
Un intercepteur d'étincelle obstrué :

- Empêche le passage du gaz d'échappement
- Réduit le rendement du moteur
- Augmente la consommation de carburant
- Rend difficile tout démarrage

Si le moteur est en marche, le silencieux et l'intercepteur d'étincelle seront très chauds. Laisser le silencieux se refroidir avant de nettoyer l'intercepteur d'étincelle.

### Comment enlever l'intercepteur d'étincelle

1. Enlever les boulons de bride du couvercle du silencieux et détacher le couvercle du silencieux.
2. Enlever la vis spéciale de l'intercepteur d'étincelle et détacher l'intercepteur d'étincelle du silencieux.



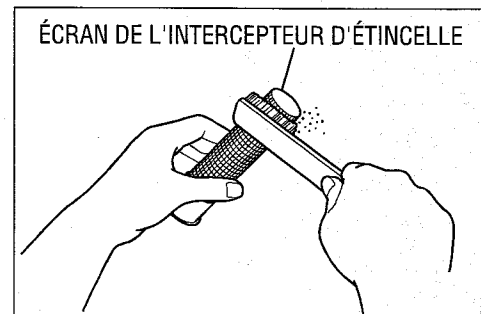
### Pour nettoyer l'écran d'intercepteur d'étincelle

Utiliser une brosse pour enlever les dépôts de carbone de l'écran de l'intercepteur d'étincelle.

Faire attention à ne pas endommager l'écran.

L'intercepteur d'étincelle doit être exempt de rupture et de trous. Remplacer l'intercepteur d'étincelle s'il est endommagé.

Installer l'intercepteur d'étincelle, et le protecteur de silencieux dans l'ordre d'inversion du démontage.

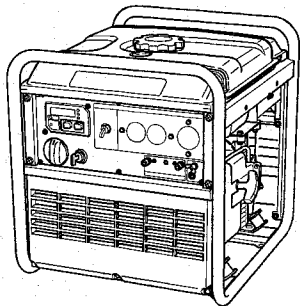


## 7. PROGRAMME D'ENTRETIEN

L'ENTRETIEN, LE REMPLACEMENT OU LA RÉPARATION DES DIPOSITIFS ET SYSTÈMES ANTIPOLLUTION PEUVENT ÊTRE EXÉCUTÉS PAR TOUT ÉTABLISSEMENT OU PROFESSIONNEL DE LA RÉPARATION DES MOTEURS NON ROUTIERS.

### VERIFICATION QUOTIDIENNE

Avant d'utiliser le générateur vérifier les points suivants:

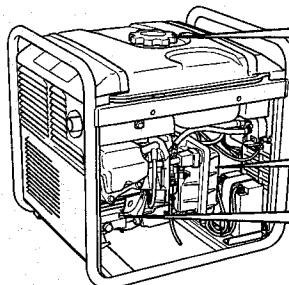


Environnements sûrs

Fuite d'essence et d'huile à moteur

Huile à moteur assez propre

Bornes à C.A. et C.C. pour voir s'il y a des dommages



Assez d'essence

Vibration excessive, bruit

L'élément de filtre à air est propre

Les boulons et les écrous sont desserrés ou rompus

FRANÇAISE

### INSPECTION PERIODIQUE

Une inspection régulière est vitale pour la vie et les performances de votre générateur.

Veuillez vous référer à la table ci-dessous pour les périodes d'entretien.

**IL EST AUSSI NÉCESSAIRE QUE L'UTILISATEUR DE CE GÉNÉRATEUR EFFECTUE DES OPÉRATIONS DE MAINTENANCE ET DE RÉGLAGE SUR LES PIÈCES ASSOCIÉES AU CONTRÔLE DES ÉMISSIONS POLLUANTES CI-DESSOUS POUR PRÉSERVER L'EFFICACITÉ DU SYSTÈME ANTIPOLLUANT.**

Le système anti-polluant est constitué des pièces suivantes :

- |   |  |   |
|---|--|---|
| (1) Carburateur et pièces internes                                | (5) Bougie d'allumage                                | (8) Collecteur d'échappement, le cas échéant      |
| (2) Système d'enrichissement de démarrage à froid, le cas échéant | (6) Dispositif d'allumage Magnétique ou électronique | (9) Tuyaux, courroies, connecteurs et assemblages |
| (3) Collecteur d'admission, le cas échéant                        | (7) Système d'avancement / retard, le cas échéant    |   |
| (4) Éléments de l'épurateur d'air                                 |  |   |

Le Programme d'entretien du tableau suivant a été établi pour des conditions de marche normales du générateur.

Les intervalles d'entretien doivent être rapprochés si l'engin est utilisé dans des conditions de charge importantes ou en milieu particulièrement poussiéreux, lesquels accélèrent la contamination de l'huile, le colmatage des éléments de filtre ou l'usure des entre autres.

## Tableau de programme d'entretien périodique

Articles d'entretien	Toutes les 8 heures (chaque jour)	Toutes les 50 heures (chaque semaine)	Toutes les 200 heures (chaque mois)	Toutes les 500 heures	Toutes les 1000 heures
Nettoyer le groupe électrogène et vérifier les boulons et écrous	● (Chaque jour)				
Vérifier et remplir l'huile à moteur	● (Remplissage quotidien jusqu'au niveau supérieur)				
Changer l'huile à moteur (*Note1)	● (20 heures initiales)	● (Toutes les 100 heures)			
Nettoyer la bougie d'allumage		●			
Nettoyer le filtre à air		●			
Remplacer l'élément de filtre à air			●		
Nettoyer le filtre d'essence			●		
Nettoyer et ajuster la bougie et les électrodes d'allumage			●		
Remplacer la bougie d'allumage				●	
Nettoyer l'intercepteur d'étincelle		● (Toutes les 100 heures)			
Enlever le carbone de la culasse (*Note 2)				●	
Vérifier et ajuster le jeu de la soupape (*Note 2)				●	
Nettoyer et ajuster le carburateur (*Note 2)				●	
Nettoyer et remplacer les balais de carbone				●	
Remplacer les durites de carburant					● (Chaque année)
Réviser le moteur (*Note 2)					●
Vérifier les prises à C.A.	● (Chaque jour)				
Vérifier la borne à C.C.	● (Chaque jour)				
Vérifier l'interrupteur du moteur	● (Chaque jour)				
Vérifier le multi moniteur	● (Chaque jour)				
Vérifier le rotor					●
Vérifier le stator					●
Remplacer le bâti du moteur					●

\*Note 1 : Au départ, le changement d'huile et le remplacement du filtre à huile doivent être effectués après 20 heures de fonctionnement.

Après quoi, changer l'huile toutes les cent (100) heures.

Avant de changer l'huile, disposer comme il convient de l'huile usée. Ne pas l'écouler dans les égouts ou dans les cours d'eau. Les règlements en vigueur localement pour les diverses zones et environnements vous donneront des instructions plus détaillées sur les modes appropriés d'élimination des déchets.

\*Note 2 : En ce qui concerne les procédures, voir le Manuel d'Entretien et de Réparation ou consulter votre centre MAKITA de service le plus proche.

## 8. ENTRETIEN "COMMENT PROCÉDER" (Voir Fig. 5)

### ⚠ ATTENTION

**S'assurer que le moteur est bien arrêté avant de commencer tous travaux de service, d'entretien ou de réparation.**

### NOTE

Nous recommandons d'utiliser un protecteur acoustique quand on exécute l'opération, l'entretien et la réparation du groupe électrogène.

### 1. CHANGEMENT D'HUILE À MOTEUR (Voir Fig. 5-1)

- Changer l'huile à moteur toutes les 50 heures. (Pour un nouveau moteur, changer l'huile après 20 heures).

(a) Vidanger l'huile en enlevant le bouchon de vidange et le bouchon du remplisseur d'huile pendant que le moteur est encore chaud.

#### 1 BOUCHON DE VIDANGE D'HUILE

(b) Réinstaller le bouchon de vidange et remplir le moteur d'huile jusqu'à ce que celle-ci atteigne le niveau supérieur sur le bouchon du remplisseur d'huile.

- Utiliser de l'huile de graissage fraîche de haute qualité au niveau indiqué à Page 5.

Si de l'huile souillée ou détériorée est utilisée ou si la quantité d'huile à moteur n'est pas suffisante, un endommagement du moteur en résultera et sa durée de service se raccourcira considérablement.

### 2. ENTRETIEN DU FILTRE À AIR (Voir Fig. 5-2)

Le maintien d'un filtre à air en état approprié est très important.

La saleté qui est produite par des éléments mal installés, mal entretenus ou insatisfaisants endommagera et usera les moteurs. Il est recommandé de maintenir l'élément toujours propre.

(a) Décrocher le couvercle et enlever l'élément du filtre.

#### 1 2 ÉLÉMENT (forme d'uréthane)

(b) Forme d'uréthane : Laver l'élément avec de l'eau douce. Presser pour enlever l'eau, puis sécher l'élément. (Ne pas tordre).

### 3. NETTOYAGE ET RÉGLAGE DE LA BOUGIE D'ALLUMAGE (Voir Fig. 5-3,4)

(a) Si la bougie est souillée avec du carbone, l'enlever en utilisant un dispositif de nettoyage de bougie ou une brosse métallique.

(b) Régler l'intervalle entre les électrodes à une valeur de 0,6 à 0,7 mm (0.024 à 0.028 in.).

#### 1 BOUGIE D'ALLUMAGE

#### 2 CLÉ DE BOUGIE

#### 3 CAPUCHON DE BOUGIE D'ALLUMAGE

Modèle	Bougie d'allumage
G2800N	NGK BR-6HS (CHAMPION RL86C)
G3200N	
G4300N	

### 4. NETTOYAGE DU TAMIS DE CARBURANT (Voir Fig. 5-5)

La saleté et l'eau dans le carburant sont enlevées par le tamis de carburant.

#### 1 CUVETTE DU TAMIS DE CARBURANT

(a) Enlever la cuvette du tamis et enlever l'eau et la saleté.

(b) Nettoyer le tamis et la cuvette du tamis avec de l'essence.

(c) Fixer fermement la cuvette au corps principal, en veillant à éviter toute fuite de carburant.

### 5. CONTRÔLE DU BALAIS DE CARBONE (Voir Fig. 5-6)

Si le balais deviennent excessivement usé, sa pression de contact avec la bague collectrice changera et résultera en une surface rude sur la bague collectrice, ayant pour résultat une performance irrégulière du générateur.

Vérifier le balais toutes les 500 heures ou si le rendement du générateur est irrégulier. Si le balais est de 5 millimètres (0.2 in.) de long ou moins, le remplacer par un balais neuf.

#### 1 SUPPORT DU BALAIS

#### 2 BALAIS

#### 3 5 mm (0.2 in.)

#### 4 BOULON M5: 1 pièce

#### 5 COUVERCLE DU BALAIS

(a) Enlever le couvercle du balais.

(b) Débrancher le connecteur de fil et enlever le balais.

(c) Noter soigneusement la direction de balais et la position relative avec la bague collectrice en installant le nouveau balais.

## 6. INSTALLATION DE LA BATTERIE (G4300N)

- (a) Fixer les bornes à une batterie à acide-plomb déjà chargée. Monter la batterie sur la position indiquée ci-dessous, avec ses bornes faisant face vers l'intérieur.
- (b) Introduire chaque boulon long dans le trou indiqué, avec son bout dirigé vers l'extérieur.
- (c) Mettre le bras de soutien sur les boulons longs et serrer avec les écrous à papillon. (Pousser la batterie à acide-plomb dedans et à fond).

### Batterie recommandée

Batterie à acide -plomb: 12 V-12 A ou supérieur  
(Batterie applicable, marque et modèle)

YUASA	YB12AL-A2
GS	GM12AZ-3A-2 ou CB12AL-A
INTERSTATE	YB12AL-A
GNB	12AL-A
SEARS	44052

- (d) Arranger le câblage de sorte qu'il ne soit pas endommagé par une vibration causée par le moteur.
- (e) Seulement après avoir vérifié que la clef du démarreur du moteur se trouve bien en position "ARRÊT", brancher fermement le câble rouge à la borne positive (+). Puis brancher l'autre câble à la borne négative (-).

**Câble rouge: à la borne (+)**

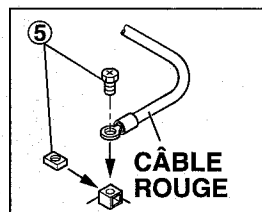
**Câble noir: à la borne (-)**

### ⚠ ATTENTION

**Si le branchement est effectué de façon incorrecte, le moteur sera endommagé.**

- ① Base de la batterie
- ② Boulon à bride
- ③ Vis
- ④ Bande de la batterie
- ⑤ Boulon et écrou
- ⑥ Couvercle de batterie

Accessoires

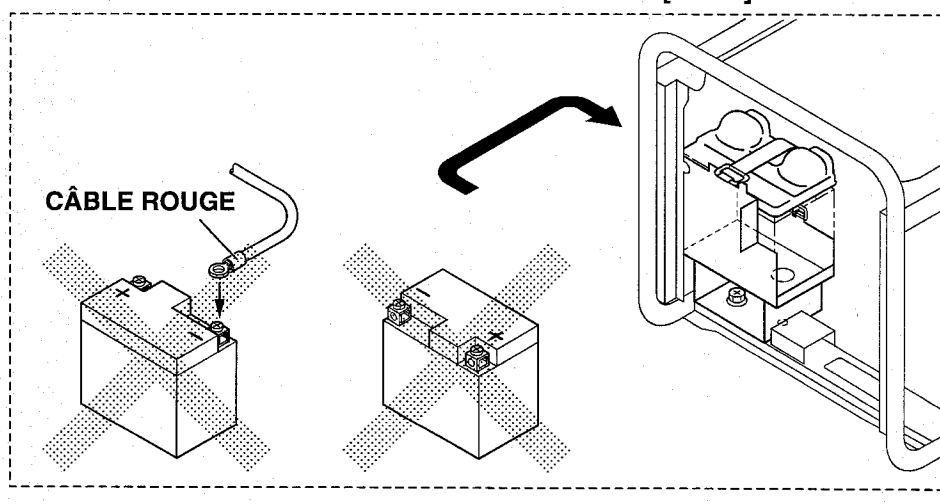


MOINS DE  
162 mm [6.4 in.]

MOINS DE  
136 mm [5.4 in.]

MOINS DE  
82 mm [3.2 in.]

CÂBLE ROUGE



## 9. FONCTIONNEMENT PÉRIODIQUE ET INSPECTION

Lorsque l'on fournit le générateur comme source d'alimentation électrique d'urgence, le fonctionnement périodique et l'inspection sont nécessaires.

Le carburant (essence) et l'huile à moteur seront détériorés avec le temps, et ceci causera un démarrage difficile du moteur et un fonctionnement incorrect et des défauts du moteur.

### ATTENTION

Puisque le carburant (essence) sera détérioré avec le temps, remplacer le carburant (essence) avec un carburant frais périodiquement; un changement une fois tous les trois (3) mois est recommandé.

- (a) Vérifier le carburant (essence), l'huile à moteur et le filtre à air.
- (b) Mettre en marche le moteur.
- (c) Avec un appareil tel qu'éclairage activé, faire marcher le moteur pendant plus de dix minutes.
- (d) Vérifier les items suivants;
  - Marche correct du moteur
  - Rendement approprié et voyant illuminé correctement.
  - Le commutateur du moteur fonctionne normalement.
  - Aucune fuite d'huile à moteur et de carburant (essence).

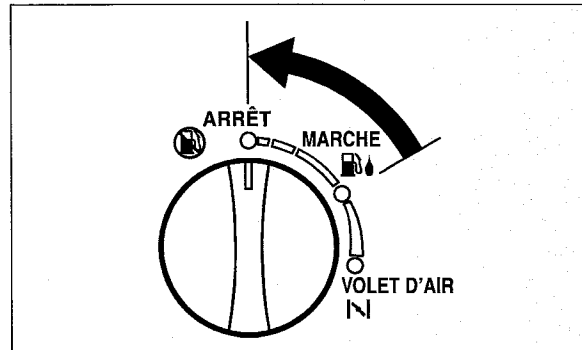
## 10. TRANSPORT

Lorsque l'on transporte le générateur, s'assurer que le carburant (essence) devrait être vidangé du réservoir.

### AVERTISSEMENT

- Pour empêcher tout débordement de carburant dû à la vibration et à l'impact, ne jamais transporter le générateur avec du carburant (essence) rempli dans le réservoir.
- Fixer fermement le capuchon du réservoir.
- Pour éviter tout risque d'inflammabilité d'essence, ne jamais laisser le générateur dans un endroit exposé à la lumière directe du soleil ou aux températures élevées pendant longtemps.
- Conserver le carburant (essence) dans un réservoir de stockage exclusif pour essence fait en acier lors du transport.

- (a) Régler le commutateur du moteur sur la position "STOP".



- (b) Vidanger le carburant du réservoir.
- (c) Fixer le capuchon du réservoir.

### ATTENTION

- Ne placer aucun objet lourd sur le générateur.
- Choisir et placer le générateur en position appropriée du véhicule de transport de sorte que le générateur ne soit pas abaissé ou ne tombe pas.  
Fixer le générateur avec une corde si nécessaire.

## 11. PRÉPARATION AU MAGASINAGE (Voir Fig. 6)

Les méthodes suivantes devraient être observées avant le magasinage de votre groupe électrogène pendant des périodes de 6 mois ou plus.

- Vidanger soigneusement le carburant du réservoir de carburant en débranchant la ligne de carburant.  
L'essence résiduelle dans le réservoir de carburant se détériorera par la suite et ceci rendra difficile tout démarrage du moteur.
- Enlever la vis de drain du carburateur. (Voir Fig. 6-1)
  - ① VIS DE DRAIN
- Changer l'huile à moteur.
- Contrôler pour voir s'il y a des boulons et vis desserrés, puis les serrer si nécessaire.
- Nettoyer le groupe électrogène complètement avec un tissu huilé. Vaporiser avec du préservatif si disponible. NE JAMAIS UTILISER DE L'EAU POUR NETTOYER LE GROUPE ÉLECTROGÈNE!
- Tirer la poignée du démarreur jusqu'à ce qu'une résistance soit ressentie, en laissant la poignée dans cette position.
- Ranger le groupe électrogène dans un emplacement bien aéré, sans présence d'humidité.

## 12. DÉPANNAGE

Lorsque le moteur du groupe électrogène ne démarre pas après plusieurs tentatives, ou si l'électricité n'est pas disponible à la prise de sortie, vérifier le diagramme suivant. Si le groupe électrogène ne démarre pas après cela ou s'il ne produit pas d'électricité, Contacter la fabrique Makita ou un centre de service agréé le plus proche pour obtenir les informations ou les procédures correctives.

### Quand le moteur ne démarre pas :

Vérifier si l'interrupteur du moteur se trouve bien en sa position appropriée.	↔	Régler l'interrupteur du moteur à la position "N" (VOLET D'AIR).
Vérifier le niveau de carburant.		Si le réservoir est vide, remplir avec du carburant en veillant à ne pas déverser.
Vérifier que le groupe électrogène n'est pas branché à un appareil quelconque.		S'il est branché, déconnecter l'interrupteur d'alimentation sur l'appareil branché et débrancher.
Contrôler la bougie d'allumage pour savoir si le chapeau de la bougie d'allumage est desserré.		S'il est desserré, pousser le capuchon de bougie d'allumage de nouveau en position.
Contrôler la bougie d'allumage pour voir s'il y a contamination.		Enlever la bougie d'allumage et nettoyer l'électrode.
Vérifier le niveau d'huile à moteur.	↔	Si le niveau d'huile à moteur est bas, ajouter de l'huile au repère du niveau supérieur sur l'indicateur de niveau d'huile.

### Quand l'électricité n'est pas produite au prise :

Vérifier si le disjoncteur à C.A. est débranché. Vérifier si le disjoncteur C.C. est déconnecté.	↔	Enfoncer le disjoncteur dans la position de fonctionnement ON, après s'être assuré que l'alimentation électrique se trouve à une valeur appropriée et que les appareils électriques sont en état normal.
Vérifier si la prise de courant alternatif et les bornes de courant continu sont desserrées.		Fixer le branchement si nécessaire.
Vérifier pour voir si un démarrage du moteur a été exécuté avec des appareils déjà branchés au groupe électrogène.	↔	Déconnecter l'interrupteur sur l'appareil, et débrancher le câble du prise. Rebrancher après que le groupe électrogène ait démarré correctement.
Basse puissance		Des balais de carbone sont excessivement usés



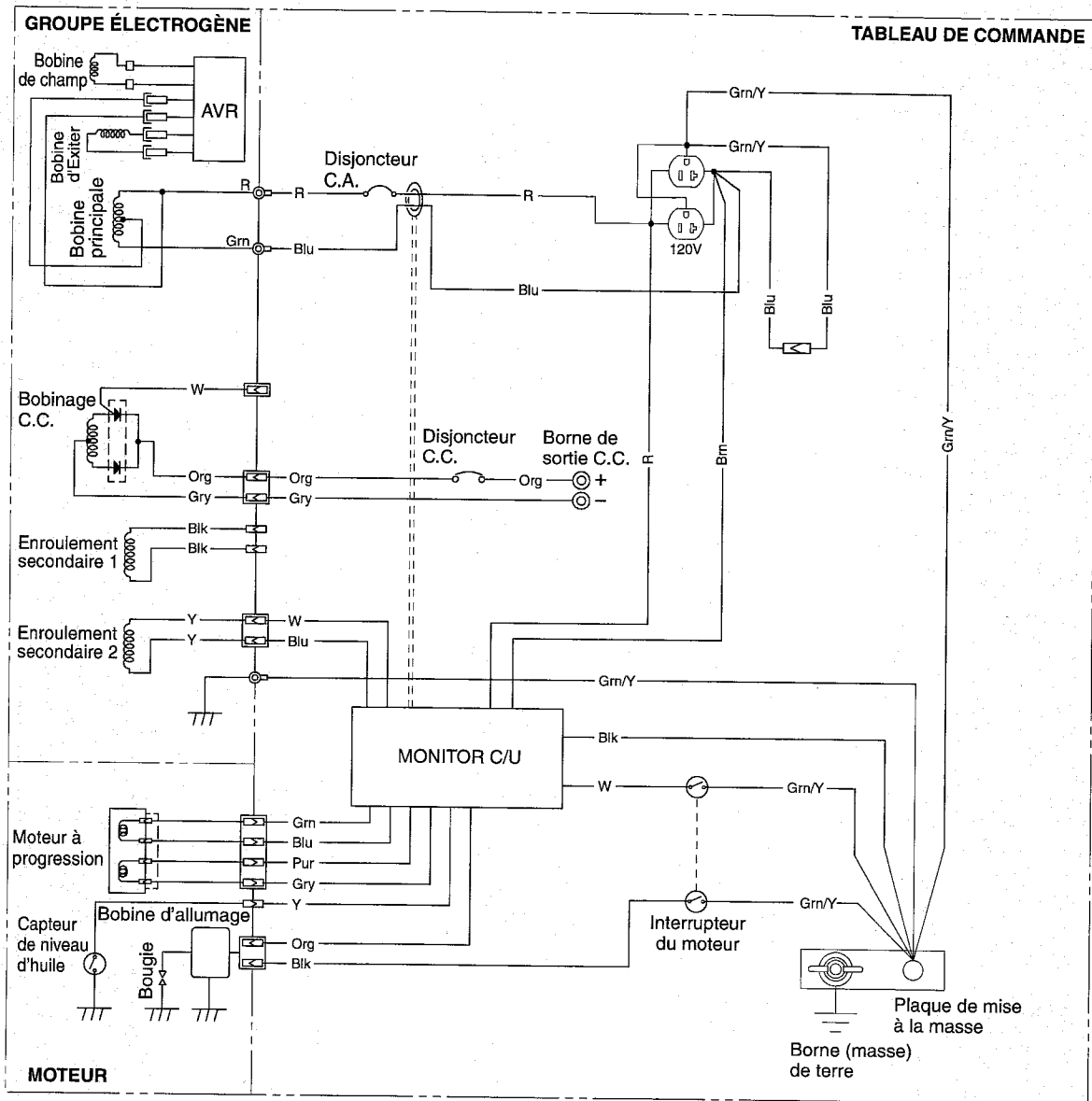
# 13. FICHE TECHNIQUE

FRANÇAISE

MODÈLE		G2800N	G3200N	G4300N
Alternateur	Type	Type à 2 pôles, auto-excitation de champ à rotation, monophasé		
	Régulateur de tension	Type AVR		
	Système de mise à la masse	Masse neutre		
	Sortie à C.A.			
	Fréquence Hz	60		
	Tension nominale V	120	120 / 240	120 / 240
	Courant nominal A	20,0	22,5 / 11,3	30,8 / 15,4
	Sortie nominale kVA	2,4	2,7	3,7
	Facteur de puissance nominale	1,0		
	Protecteur contre surintensité	Disjoncteur sans fusible		
	Sortie C.C.			
	Tension nominale V	12		
	Courant nominal A	8,3		
	Sortie nominale W	100		
Protecteur contre surintensité	Disjoncteur			
Moteur	Modèle	EX17	EX21	EX27
	Type	Moteur à essence OHC, refroidissement à air forcé, 4 temps		
	Cylindrée mL (cu.in.)	169 (10.31)	211 (12.87)	265 (16.17)
	Carburant	Essence pour automobiles		
	Capacité du réservoir de carburant L (U.S. gal)	10,8 (2.9)	10,8 (2.9)	12,8 (3.4)
	Opération continue nominale [Environ] heures	7,5	6,7	6,4
	Système de démarrage	Recul		Recul (électrique)
Dimensions	Longueur mm (in.)	537 (21.1)		580 (22.8)
	Largeur mm (in.)	432 (17.0)		477 (18.8)
	Hauteur mm (in.)	475 (18.7)		508 (20.0)
	Poids à sec kg (lb)	43 (94.8)	48 (105.8)	55 (121.3)
Jeu de soupape (admission et échappement) mm(in.)		0,1±0,03 (0.0039±0.0012) Ajuster le jeu de soupape pendant que le moteur est froid.		

# 14. DIAGRAMME DE CÂBLAGE

## G2800N (60Hz-120V) [Modèle de démarreur à recul]



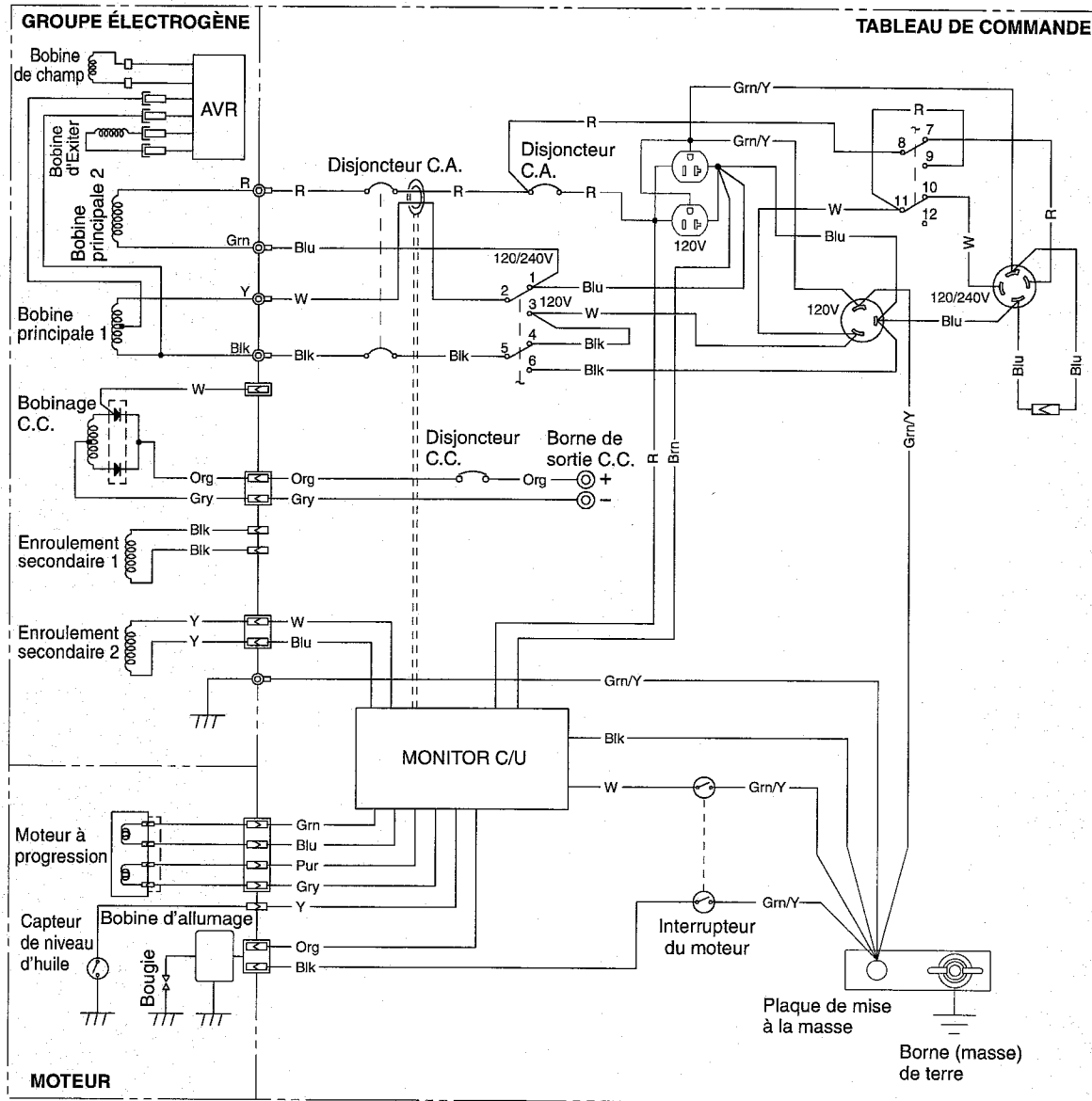
**Couleur de câblage**

Blk : Noir	LBlu : Bleu clair	Grn : Vert	Gry : Gris	Y : Jaune	Pur : Pourpre
Blk/W : Noir/Blanc	Brn : Marron	Grn/W : Vert/Blanc	R : Rouge	W/Blk : Blanc/Noir	Pin : Rose
Blu : Bleu	Brn/W : Marron/Blanc	Org : Orange	W : Blanc	Grn/Y : Vert/Jaune	

FRANÇAISE

# G3200N (60HZ-120 / 240V) [Modèle de démarreur à recul]

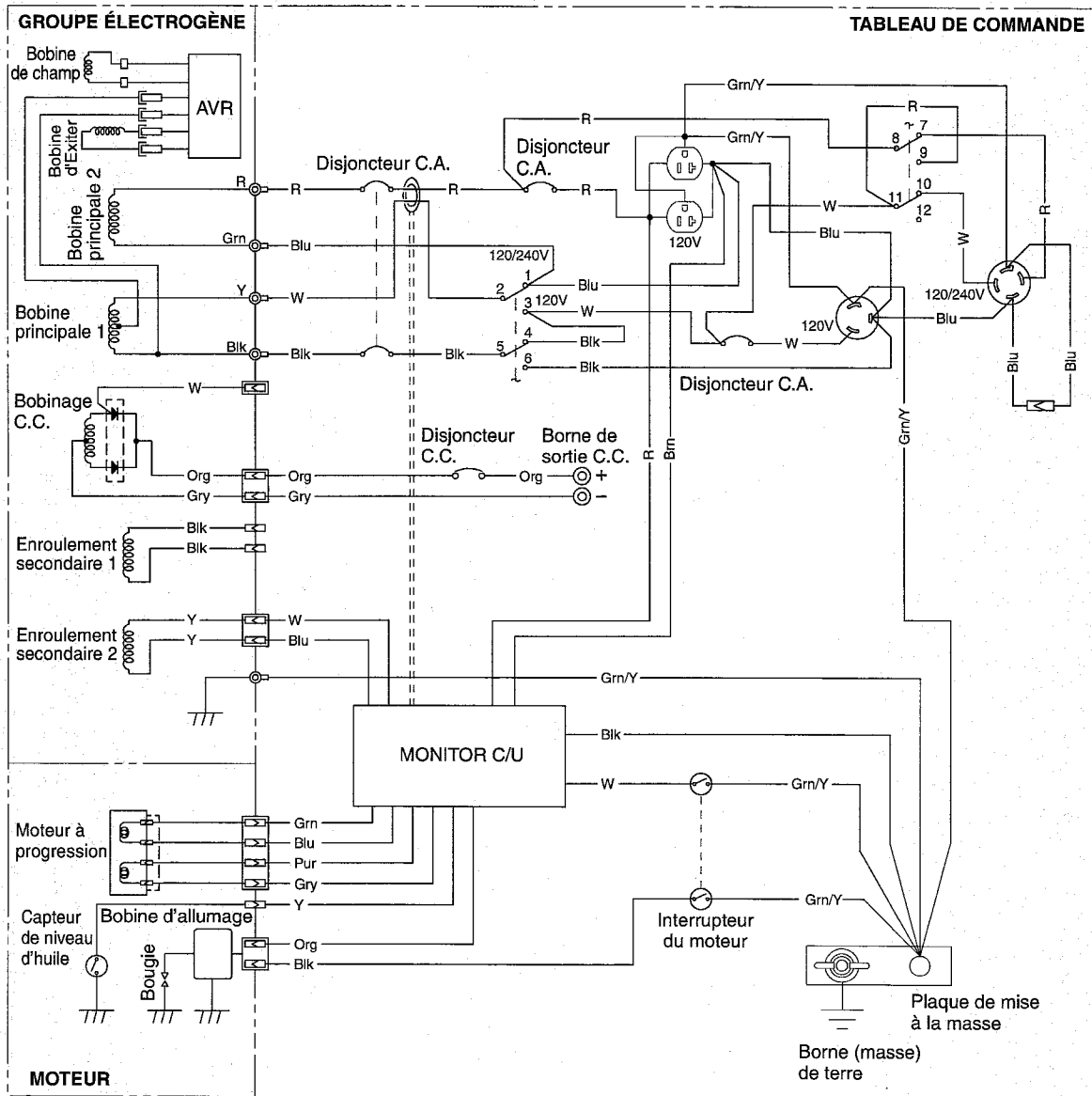
FRANÇAISE



**Couleur de câblage**

Blk : Noir	L.Blu : Bleu clair	Grn : Vert	Gry : Gris	Y : Jaune	Pur : Pourpre
Blk/W : Noir/Blanc	Brn : Marron	Grn/W : Vert/Blanc	R : Rouge	W/Blk : Blanc/Noir	Pin : Rose
Blu : Bleu	Brn/W : Marron/Blanc	Org : Orange	W : Blanc	Grn/Y : Vert/Jaune	

# G4300N (60HZ-120 / 240V) [Modèle de démarreur à recul]



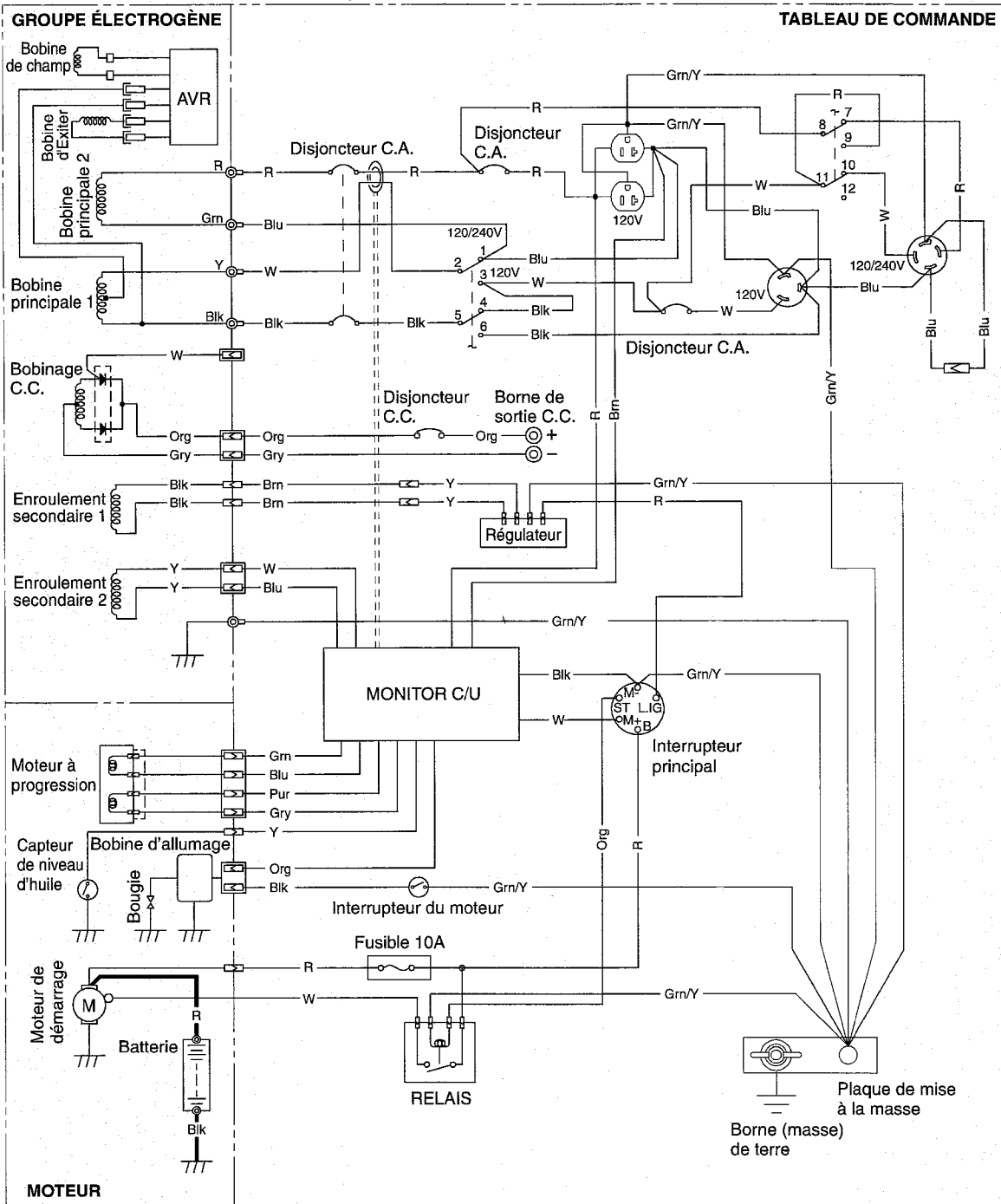
**Couleur de câblage**

Blk : Noir	LBlu : Bleu clair	Grn : Vert	Gry : Gris	Y : Jaune	Pur : Pourpre
Blk/W : Noir/Blanc	Brn : Marron	Grn/W : Vert/Blanc	R : Rouge	W/Blk : Blanc/Noir	Pin : Rose
Blu : Bleu	Brn/W : Marron/Blanc	Org : Orange	W : Blanc	Grn/Y : Vert/Jaune	

FRANÇAISE

# G4300N (60HZ-120 / 240V) [Modèle du démarreur électrique]

FRANÇAISE



**ISSUE EMD-GU1978**

# **Makita Corporation**

3-11-8, Sumiyoshi-cho

Anjo, Aichi 446-8502 Japan

**PRINTED IN JAPAN**  
**September 2004 CE**

## Free Manuals Download Website

<http://myh66.com>

<http://usermanuals.us>

<http://www.somanuals.com>

<http://www.4manuals.cc>

<http://www.manual-lib.com>

<http://www.404manual.com>

<http://www.luxmanual.com>

<http://aubethermostatmanual.com>

Golf course search by state

<http://golfingnear.com>

Email search by domain

<http://emailbydomain.com>

Auto manuals search

<http://auto.somanuals.com>

TV manuals search

<http://tv.somanuals.com>