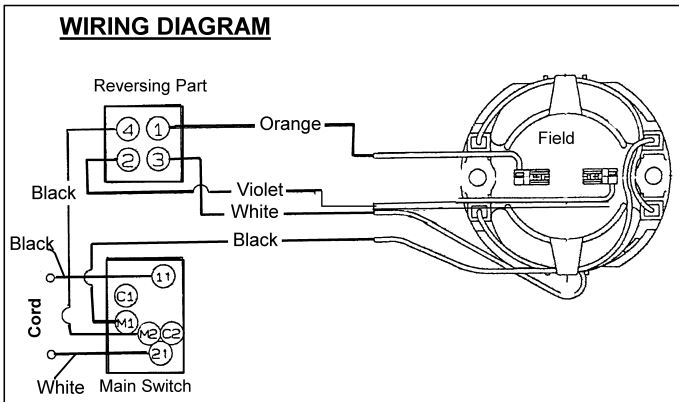
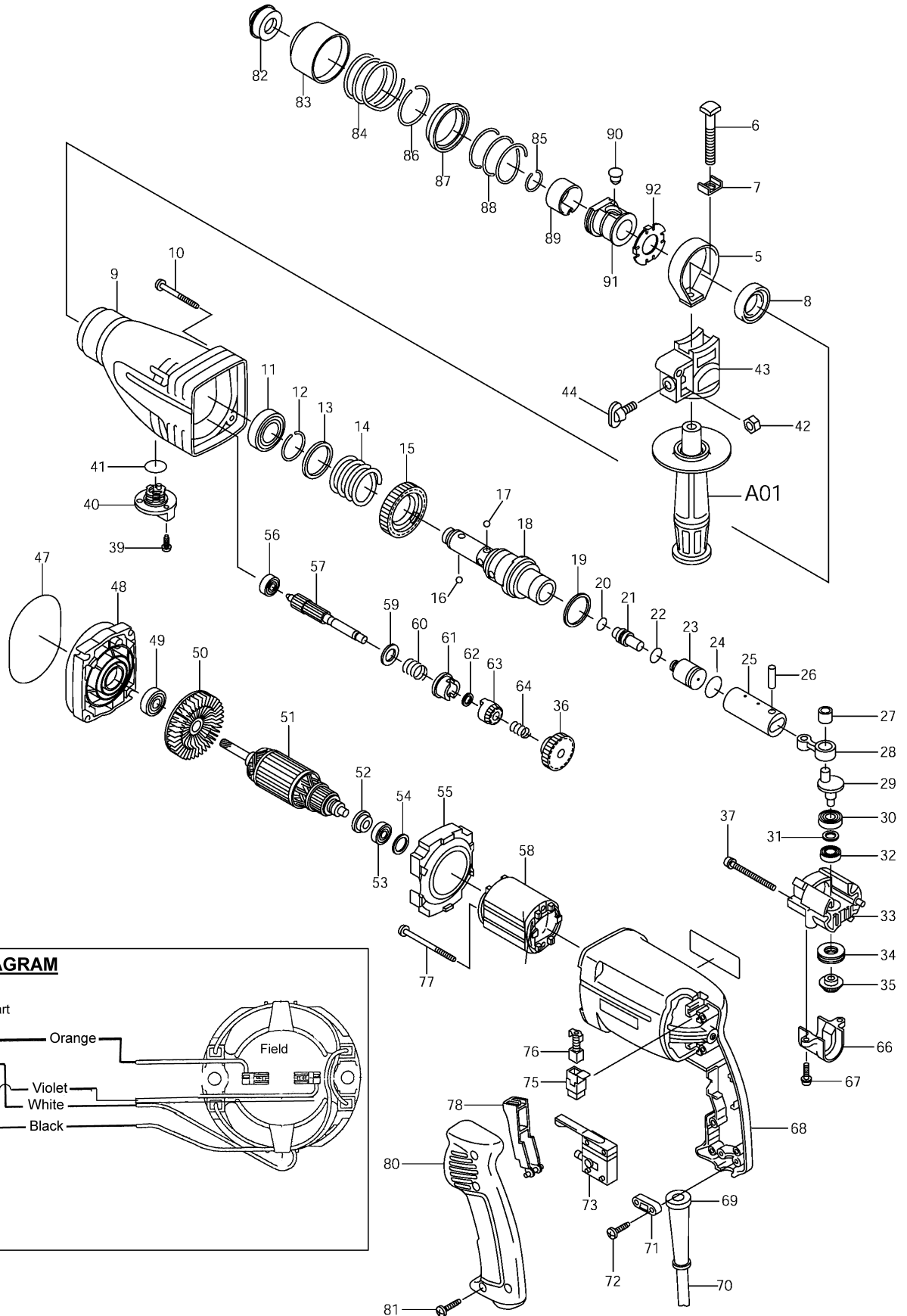
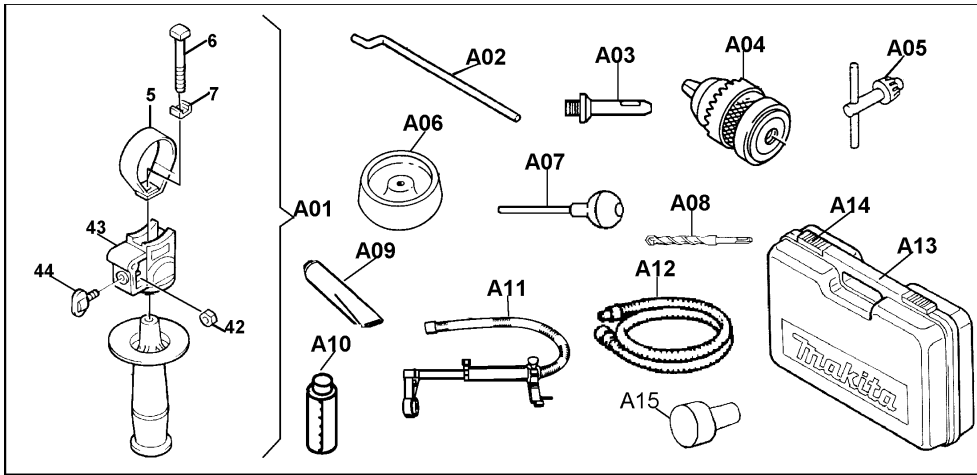


1" ROTARY HAMMER V.S. Model HR2410(MJ) SDS - Plus





| Item No. | Part No. | No. Used | Description | Item No. | Part No. | No. Used | Description |
|----------|----------|----------|---|----------|----------|----------|--|
| 1 | * | 1 | Cap 37 | 44 | 265720-5 | 1 | Thumb Screw M5x14 |
| 2 | * | 1 | O Ring 10 (Type 1) | 45 | * | 1 | Thin Washer 10 (Type 1) |
| 3 | * | 1 | Change Ring Cover (Type 1 & 2) | 47 | 213720-9 | 1 | O Ring 67 |
| 4 | * | 1 | Change Ring Com. (Type 1 & 2) | 48 | 159760-2 | 1 | Inner Hsg Com. |
| 5 | 344205-5 | 1 | Belt | 49 | 211051-0 | 1 | Ball Bearing 609LLB |
| 6 | 266092-1 | 1 | Square Bolt M8x60 | 50 | 241883-1 | 1 | Fan 60 |
| 7 | 267719-6 | 1 | Square Washer 9 | 51 | 517141-0 | 1 | Armature Assy (Includes Items 50, 52 & 53) |
| 8 | 213313-2 | 1 | Oil Seal 20 | 52 | 681600-1 | 1 | Insulation Washer |
| 9 | * | 1 | Gear Hsg Com. (Includes Items 216011-7 - Steel Ball 5.6, & 231234-6 - Compression Spring 3.5) | 53 | 211021-9 | 1 | Ball Bearing 607LLB |
| 10 | 266069-6 | 4 | Tapping Screw Flange PT4x45 | 54 | 253842-3 | 1 | Flat Washer 14 |
| 11 | 211322-5 | 1 | Ball Bearing 6904LLU | 55 | 415628-5 | 1 | Baffle Plate |
| 12 | 231962-3 | 1 | Ring Spring 26 | 56 | 211012-0 | 1 | Ball Bearing 606ZZ |
| 13 | 267132-8 | 1 | Flat Washer 29 | 57 | 226293-3 | 1 | Spur Gear 10 |
| 14 | 233109-5 | 1 | Compression Spring 29 | 58 | 633311-4 | 1 | Field |
| 15 | 226290-9 | 1 | Spur Gear 48 | 59 | 253744-3 | 1 | Flat Washer 12 |
| 16 | 216022-2 | 1 | Steel Ball 7.0 (Old 216009-4) | 60 | 233089-5 | 1 | Compression Spring 12 |
| 17 | 216011-7 | 4 | Steel Ball 5.6 | 61 | 322743-7 | 1 | Clutch Cam (Type 1 & 3) (2 Grooves) |
| 18 | * | 1 | Tool Holder | 62 | 322939-0 | 1 | Clutch Cam (Type 2) (4 Grooves) |
| 19 | 267129-7 | 1 | Flat Washer 27 | 63 | 267131-0 | 1 | Flat Washer 8 |
| 20 | 213063-9 | 1 | O Ring 10 | 64 | 226725-0 | 1 | Straight Bevel Gear 14 |
| 21 | * | 1 | Impact Bolt | 66 | 233110-0 | 1 | Compression Spring 8 |
| 22 | 213117-2 | 1 | O Ring 11 | 67 | 415630-8 | 1 | Gear Cover |
| 23 | 322740-3 | 1 | Striker | 68 | 911526-6 | 2 | P.H. Screw M4x16 |
| 24 | 213214-4 | 1 | O Ring 16 | 69 | 416970-7 | 1 | Motor Hsg. |
| 25 | 331446-2 | 1 | Piston Cylinder | 70 | 682502-4 | 1 | Cord Guard 8-85 |
| 26 | 256099-5 | 1 | Pin 6 | 71 | 664013-1 | 1 | Cord With Plug 2P-18-2.5 |
| 27 | 212005-0 | 1 | Needle Bearing 810 | 72 | 687063-9 | 1 | Strain Relief |
| 28 | 331447-0 | 1 | Connecting Rod | 73 | 266121-0 | 2 | Tapping Screw Flange PF4x18 (Old 265995-6) |
| 29 | 322741-1 | 1 | Crank Shaft | 75 | 651972-8 | 1 | Switch (Type 2) |
| 30 | 211098-4 | 1 | Ball Bearing 699ZZ | 76 | 650514-5 | 1 | Switch (Type 3) |
| 31 | 267130-2 | 1 | Flat Washer 9 | 77 | 643923-5 | 2 | Brush Holder |
| 32 | 211099-2 | 1 | Ball Bearing 689ZZ | 78 | 191927-6 | 2 | Carbon Brush CB-407 (2pcs/Set) |
| 33 | 159761-0 | 1 | Crank Hsg Com. | 79 | 266052-3 | 2 | Tapping Screw Flange PF4x60 |
| 34 | 212110-3 | 1 | Thrust Needle Bearing 1224 | 80 | 415629-3 | 1 | Switch Lever |
| 35 | 226726-8 | 1 | Straight Bevel Gear 12 | 81 | 415627-7 | 1 | Handle Cover |
| 36 | 226434-1 | 1 | Helical Gear 31 | 82 | 266120-2 | 4 | Tapping Screw Flange PF4x20 (Old 266045-0) |
| 37 | 911576-1 | 3 | P.H. Screw M4x50 | 83 | * | 1 | Cap 31 |
| 38 | * | 2 | Roller 7 (Type 1 & 2) | 84 | * | 1 | Chuck Cover |
| 39 | 251392-2 | 1 | (+) P.H. Screw M4 | | * | 1 | Compression Spring 38 |
| 40 | 152471-8 | 1 | Change Lever Com. | | | | |
| 41 | 213261-5 | 1 | O Ring 17 | | | | |
| 42 | 931202-6 | 1 | Hex Nut M5 | | | | |
| 43 | 415658-6 | 1 | Grip Base | | | | |

| Item No. | Part No. | No. Used | Description | Item No. | Part No. | No. Used | Description |
|--------------------|----------|----------|---|----------|-----------------|----------|--|
| 85 | * | 1 | Ring Spring 17 | A04 | 763047-2 | 1 | Drill Chuck S13 |
| 86 | * | 1 | Ring Spring 30.5 | A05 | 798341-3 | 1 | Chuck Key |
| 87 | * | 1 | Spring Guide | | | | |
| 88 | * | 1 | Compression Spring 35 | A06 | 421342-3 | 1 | Dust Cup 5 (For Bit 7/32" ~ 9/16") |
| 89 | * | 1 | Leaf Spring 26 | | 421664-1 | 1 | Dust Cup 9 (For Bits 15/32" ~ 5/8" & For Shank 3/8" ~ 11/16") |
| 90 | * | 1 | Pin 8 | | | | |
| 91 | * | 1 | Chuck Ring | | | | |
| 92 | * | 1 | Guide Washer | | | | |
| 100 | 534023-1 | 1 | Lead Assy (Orange) (Includes Item 102) | A07 | 765009-6 | 1 | Blow-Out Bulb 64 |
| 101 | 534024-9 | 1 | Lead Assy (Purple) (Includes Item 102) | A08 | ---- | 1 | Hammer Bit (See Catalogue for Details) |
| 102 | 654069-2 | 2 | Receptacle | A09 | 181573-3 | 1 | Bit Grease 100g |
| Accessories | | | | A10 | 182749-5 | 1 | Oil Vessel 30cc (Hammer Grease) |
| A01 | 134777-6 | 1 | Grip 36 Assy [Includes Items Grip 36 Com. - 152521-9 (Old 152489-9), 5, 6, 7 & 42 - 44] | A11 | 192176-8 | 1 | Dust Extractor Attachment |
| A02 | 321144-6 | 1 | Depth Gauge | A12 | 192278-0 | 1 | Hose 1.5M (4.9Ft.) ϕ 28mm (1-1/8") |
| A03 | 122331-8 | 1 | Chuck Adaptor Assy (With Screw - 251425-3) (For Swivel Chuck System) | | 192279-8 | 1 | Hose 3.0M (9.8Ft.) ϕ 28mm (1-1/8") |
| | 122573-4 | 1 | Chuck Adaptor Assy [With Screw -251425-3 (Old 122554-8) (For Slide Chuck System)] | A13 | 824445-6 | 1 | Plastic Carrying Case (Includes Item A14) |
| | | | | A14 | 182935-8 | 2 | Slide Lock |
| | | | | A15 | 410871-A | 1 | Vacuum Adaptor 1" X 2-1/8" (I.D.), 1-3/16" X 2-1/4" (O.D.) (Used between A11 and Vacuum) |

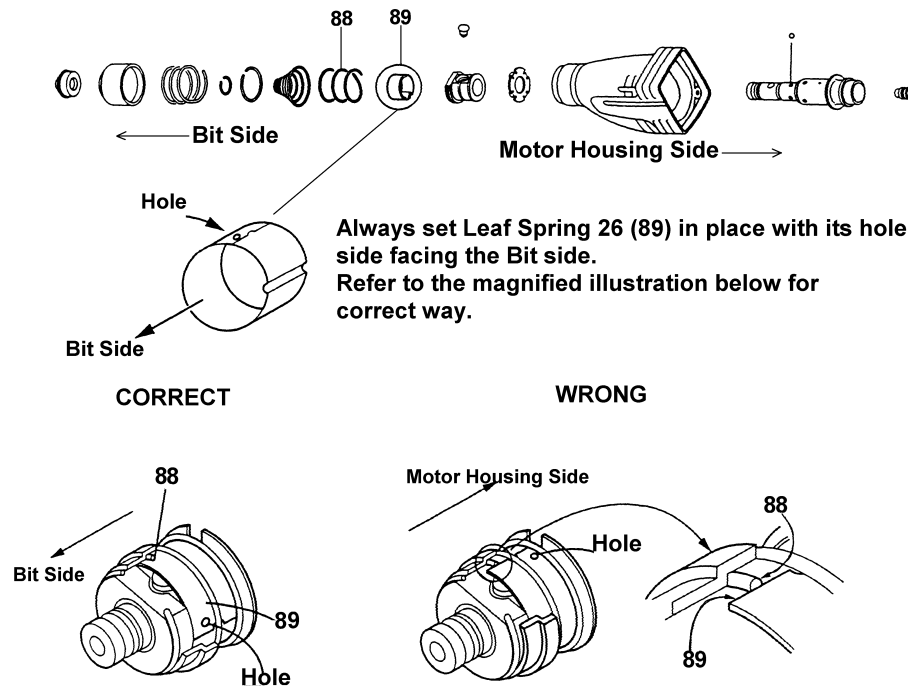
* SEE SERVICE CHANGES

Dustless System

HR2410 + A11 + A15 + A12 → Connect to 420S

SERVICE NOTE:

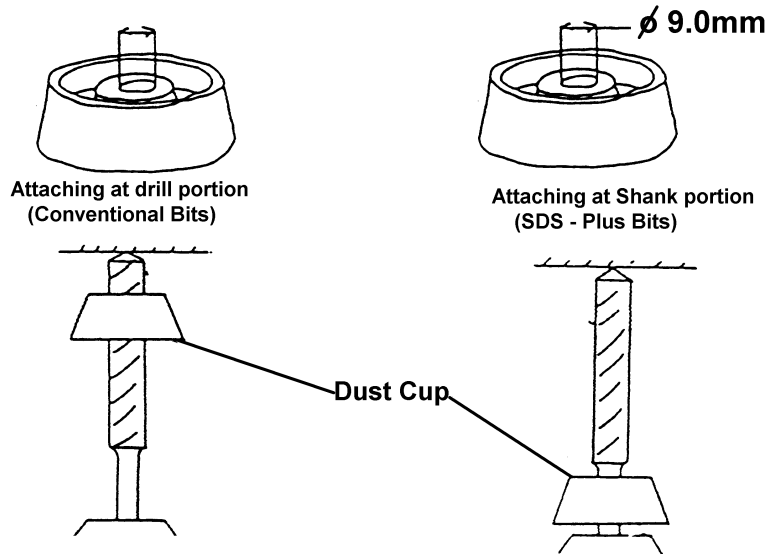
How to Set Leaf Spring 26 (89) in place in Assembling Chuck



If Chuck is assembled in the wrong way in repairing - with the hole side of Leaf Spring 26 (89) facing the Motor Housing side, the function of "Easy bit change by merely turning chuck" might be lost due to the interference between the end face of Compression Spring 35 (88) and that of the Leaf Spring 26 (89).

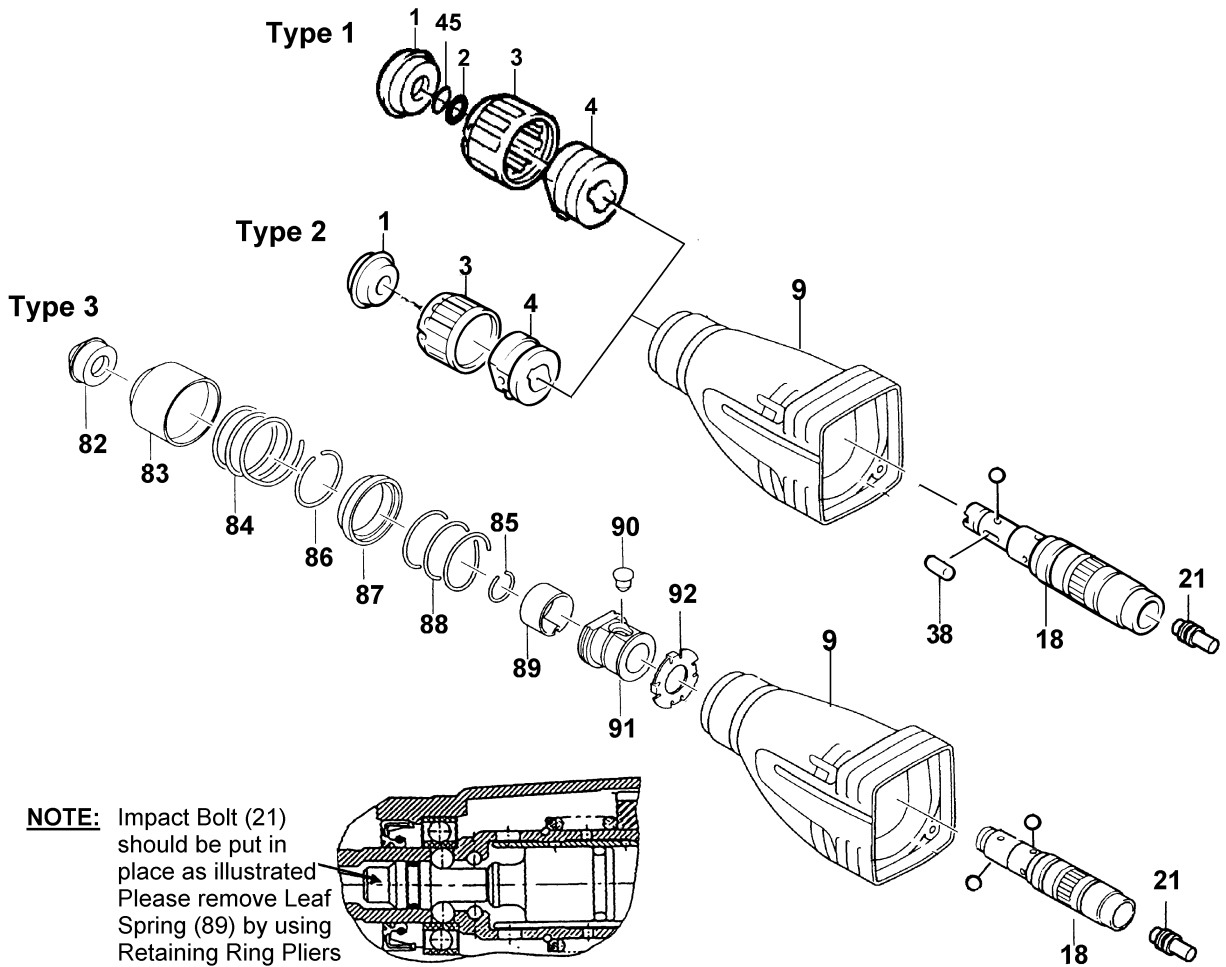
SERVICE CHANGES

1. Addition of Dust Cup 9.



| Item No | Description | Part No. | | |
|---------|-------------|----------|------------------------|-------------------------|
| A06 | Dust Cup 5 | 421342-3 | For Bits 7/32" ~ 9/16" | ----- |
| | Dust Cup 9 | 421664-1 | For Bits 15/32" ~ 5/8" | For Shank 3/8" ~ 11/16" |

2. Change on Gear Hsg Com, Tool Holder and Slide Chuck System and Swivel-Chuck System



| Item No. | Description | Swivel - Chuck System | | Slide - Chuck System |
|----------|-----------------------|-----------------------------------|----------|----------------------|
| | | Type 1 | Type 2 | Type 3 |
| 1 | Cap 37 | 286240-6 (No Longer Available) | 286251-1 | ----- |
| 2 | O Ring 10 | 213068-9 | ----- | |
| 3 | Change Ring Cover | 415076-8 | | ----- |
| 4 | Change Ring Com. | 152470-0 | | ----- |
| 9 | Gear Hsg. Com. | 159759-7 (No Longer Available) | | 150965-7 |
| 18 | Tool Holder | 322744-5 | | 323822-4 |
| 21 | Impact Bolt | 322739-8 | | 323818-5 |
| 38 | Roller 7 | 322517-6 | | ----- |
| 45 | Thin Washer 10 | 253350-4 | ----- | |
| 82 | Cap 31 | ----- | | 286265-0 (286248-0) |
| 83 | Chuck Cover | ----- | | 416410-5 |
| 84 | Compression Spring 38 | ----- | | 233203-3 |
| 85 | Ring Spring 17 | ----- | | 231979-6 |
| 86 | Ring Spring 30.5 | ----- | | 231936-4 |
| 87 | Spring Guide | ----- | | 323819-3 |
| 88 | Compression Spring 35 | ----- | | 233234-2 |
| 89 | Leaf Spring 26 | ----- | | 232190-3 |
| 90 | Pin 8 | ----- | | 256447-8 |
| 91 | Chuck Ring | ----- | | 323820-8 |
| 92 | Guide Washer | ----- | | 344690-2 |

Free Manuals Download Website

<http://myh66.com>

<http://usermanuals.us>

<http://www.somanuals.com>

<http://www.4manuals.cc>

<http://www.manual-lib.com>

<http://www.404manual.com>

<http://www.luxmanual.com>

<http://aubethermostatmanual.com>

Golf course search by state

<http://golfingnear.com>

Email search by domain

<http://emailbydomain.com>

Auto manuals search

<http://auto.somanuals.com>

TV manuals search

<http://tv.somanuals.com>