



Accessories

Extension handle
Part No. 194500-1



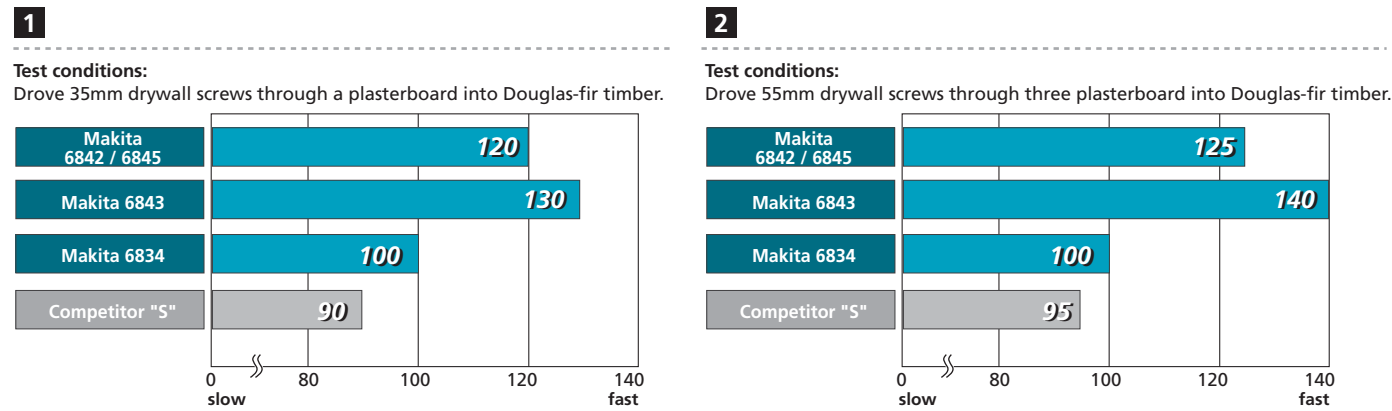
Phillips bit 5pc per pkg.

For Model	Size	Length (mm)	Part No.
6842, 6843	No.2	162	B-10481
6844	No.2	182	B-10475
6845	No.2	122	A-45858



Comparison of Efficiency

Note: 1. It may differ under some conditions.
2. Numbers in the charts below are relative values when the capacities of Makita Model 6834 are indexed at 100.



Auto Feed Screwdriver 6842 / 6843 / 6844 / 6845

	6842	6843	6844	6845
Double Insulation				
Reversing				
Carrying Case				
Continuous rating Input	470W	470W	470W	470W
Capacity Drywall screw:	4 x 25-55mm (5/32" x 1"-2-3/16")	4 x 25-55mm (5/32" x 1"-2-3/16")	4 x 45-75mm (5/23" x 1-3/4"-2-15/16")	4 x 25-41mm (5/32" x 1"-1-5/8")
Bit size Hex Shank :	6.35mm (1/4")	6.35mm (1/4")	6.35mm (1/4")	6.35mm (1/4")
No load speed	4,700rpm	6,000rpm	3,000rpm	4,700rpm
Dimensions (L x W x H)	400 x 75 x 243mm (15-3/4" x 2-15/16" x 9-9/16")	400 x 75 x 243mm (15-3/4" x 2-15/16" x 9-9/16")	440 x 75 x 243mm (17-1/4" x 2-15/16" x 9-9/16")	333 x 83 x 247mm (13-1/8" x 3-1/4" x 9-3/4")
Net weight	2.0kg (4.4lbs)	2.0kg (4.4lbs)	2.1kg (4.6lbs)	1.9kg (4.2lbs)
Power supply cord	2.5m (8.2ft)	2.5m (8.2ft)	2.5m (8.2ft)	2.5m (8.2ft)
Standard Equipment	Phillips Bit (3pcs.)			

Items of standard equipment and specifications may differ by country or area.

Makita Corporation

3-11-8 Sumiyoshi-cho, Anjo, Aichi, 446-8502 Japan

PRINTED IN JAPAN Z15215-2 2007-07

Download from www.Somanuals.com. All Manuals Search And Download.



Auto Feed Screwdriver

6842 / 6843 / 6844 / 6845

Quick Shot!



More Reliable Casing Attachment

exc. 6845

Sturdy aluminum casing
 Stopper base with anti-tilt device for preventing screws from swaying
 Rubber cap securely adhered to stopper base
 Dust-proof construction for smooth sliding action



Adjustable Stopper Base with 7 settings for different screw lengths

Indicator line for feeding position

Casing can be removed/installed without tool.

Hook attachable to both sides

Externally Accessible Carbon Brush

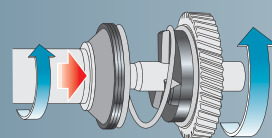
Quick Shooting

with Silent Clutch

New Silent Clutch Features high durability. Ensures high operation efficiency with direct drive transmission in reverse rotation.

Less noise at the end of driving process

The utmost durable clutch



When the bit pushes screw, synchronized rotation starts for smooth engagement.

The clutch is endurable even against 6000rpm speed (model 6843).



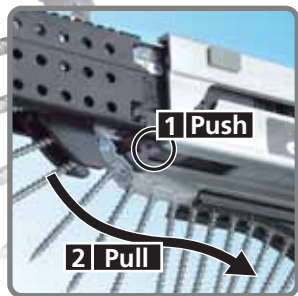
Anti-tilt device for sure positioning and preventing swaying



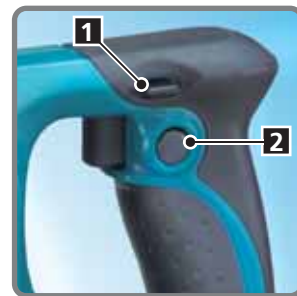
Guide rail Provided for smooth sliding.



Ergonomically Designed Rubberized Grip Provides more control and comfort.



Screw strip also can be removed in the direction of the arrow by pushing button.



1 Reverse Switch Operable by One Hand
2 Lock-On Button for Continuous Operation



Screw Guide
 /// Designed to prevent collated screw strip from getting tangled
 /// Foldable for easy transport and storage

6842

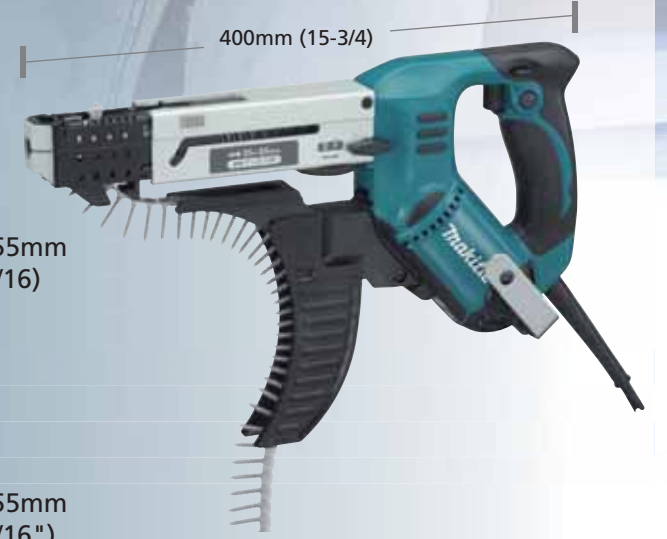
4,700rpm

Capacity:
 4mm X 25mm to 55mm
 (5/32" X 1" to 2-3/16")

6843

6,000rpm

Capacity:
 4mm X 25mm to 55mm
 (5/32" X 1" to 2-3/16")



6844

3,000rpm

Capacity:
 4mm X **45mm to 75mm**
 (5/32" X 1-3/4" to 2-15/16")



Compact and Lightweight Design for High Maneuverability

Coil Magazine holds up to 100 screws.

6845

4,700rpm

Capacity:
 4mm X 25mm to 41mm
 (5/32" X 1 to 1-5/8")



Free Manuals Download Website

<http://myh66.com>

<http://usermanuals.us>

<http://www.somanuals.com>

<http://www.4manuals.cc>

<http://www.manual-lib.com>

<http://www.404manual.com>

<http://www.luxmanual.com>

<http://aubethermostatmanual.com>

Golf course search by state

<http://golfingnear.com>

Email search by domain

<http://emailbydomain.com>

Auto manuals search

<http://auto.somanuals.com>

TV manuals search

<http://tv.somanuals.com>