

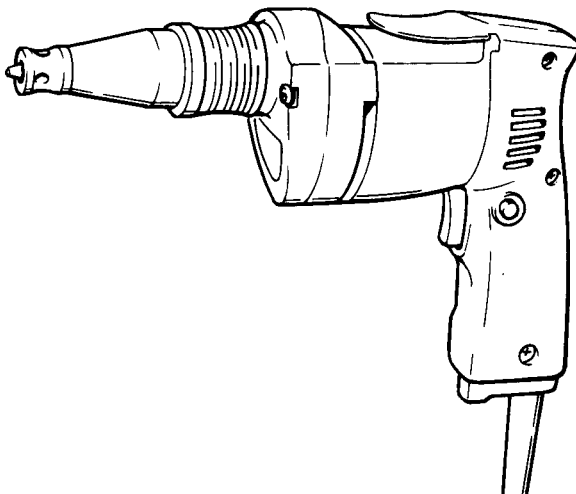
# Makita

アメリカ

# Drywall Screwdriver

**MODEL 6800DBV**  
**MODEL 6801DBV**

## INSTRUCTION MANUAL



 **DOUBLE INSULATION**

### SPECIFICATIONS

MODEL	Capacities	Bit shank size	No load speed (RPM)	Overall length	Net weight
6800DBV	Drywall screws No. 6 Self drilling screw ... 5 mm (3/16'')	1/4'' Hex	0 - 2,500	280 mm (11'')	1.5 kg (3.3 lbs)
6801DBV		1/4'' Hex	0 - 4,000	280 mm (11'')	1.5 kg (3.3 lbs)

\* Manufacturer reserves the right to change specifications without notice.

\* Note: Specifications may differ from country to country.

**WARNING:** For your personal safety, READ and UNDERSTAND before using.

**SAVE THESE INSTRUCTIONS FOR FUTURE REFERENCE.**

# **IMPORTANT SAFETY INSTRUCTIONS**

## **(For All Tools)**

**WARNING: WHEN USING ELECTRIC TOOLS, BASIC SAFETY PRECAUTIONS SHOULD ALWAYS BE FOLLOWED TO REDUCE THE RISK OF FIRE, ELECTRIC SHOCK, AND PERSONAL INJURY, INCLUDING THE FOLLOWING:**

### **READ ALL INSTRUCTIONS.**

1. **KEEP WORK AREA CLEAN.** Cluttered areas and benches invite injuries.
2. **CONSIDER WORK AREA ENVIRONMENT.** Don't use power tools in damp or wet locations. Keep work area well lit. Don't expose power tools to rain. Don't use tool in presence of flammable liquids or gases.
3. **KEEP CHILDREN AWAY.** All visitors should be kept away from work area. Don't let visitors contact tool or extension cord.
4. **STORE IDLE TOOLS.** When not in use, tools should be stored in dry, and high or locked-up place — out of reach of children.
5. **DON'T FORCE TOOL.** It will do the job better and safer at the rate for which it was intended.
6. **USE RIGHT TOOL.** Don't force small tool or attachment to do the job of a heavy-duty tool. Don't use tool for purpose not intended; for example, don't use circular saw for cutting tree limbs or logs.
7. **DRESS PROPERLY.** Don't wear loose clothing or jewelry. They can be caught in moving parts. Rubber gloves and non-skid footwear are recommended when working outdoors. Wear protective hair covering to contain long hair.
8. **USE SAFETY GLASSES.** Also use face or dust mask if cutting operation is dusty.
9. **DON'T ABUSE CORD.** Never carry tool by cord or yank it to disconnect from receptacle. Keep cord from heat, oil, and sharp edges.
10. **SECURE WORK.** Use clamps or a vise to hold work. It's safer than using your hand and it frees both hands to operate tool.
11. **DON'T OVERREACH.** Keep proper footing and balance at all times.
12. **MAINTAIN TOOLS WITH CARE.** Keep tools sharp and clean for better and safer performance. Follow instructions for lubricating and changing accessories. Inspect tool cords periodically and if damaged, have repaired by authorized service facility. Inspect extension cords periodically and replace if damaged. Keep handles dry, clean, and free from oil and grease.
13. **DISCONNECT TOOLS.** When not in use, before servicing, and when changing accessories, such as blades, bits, cutters.

14. **REMOVE ADJUSTING KEYS AND WRENCHES.** Form habit of checking to see that keys and adjusting wrenches are removed from tool before turning it on.
15. **AVOID UNINTENTIONAL STARTING.** Don't carry tool with finger on switch. Be sure switch is OFF when plugging in.
16. **EXTENSION CORDS.** Make sure your extension cord is in good condition. When using an extension cord, be sure to use one heavy enough to carry the current your product will draw. An undersized cord will cause a drop in line voltage resulting in loss of power and overheating. Table 1 shows the correct size to use depending on cord length and nameplate ampere rating. If in doubt, use the next heavier gage. The smaller the gage number, the heavier the cord.

**TABLE 1 MINIMUM GAGE FOR CORD SETS**

			Total Length of Cord in Feet			
			0 – 25	26 – 50	51 – 100	101 – 150
Ampere Rating More Than	–	Not More Than	A W G			
0	–	6	18	16	16	14
6	–	10	18	16	14	12
10	–	12	16	16	14	12
12	–	16	14	12	Not Recommended	

17. **OUTDOOR USE EXTENSION CORDS.** When tool is used outdoors, use only extension cords intended for use outdoors and so marked.
18. **STAY ALERT.** Watch what you are doing, use common sense. Don't operate tool when you are tired.
19. **CHECK DAMAGED PARTS.** Before further use of the tool, a guard or other part that is damaged should be carefully checked to determine that it will operate properly and perform its intended function. Check for alignment of moving parts, binding of moving parts, breakage of parts, mounting, and any other conditions that may affect its operation. A guard or other part that is damaged should be properly repaired or replaced by an authorized service center unless otherwise indicated elsewhere in this instruction manual. Have defective switches replaced by authorized service center. Don't use tool if switch does not turn it on and off.
20. **GUARD AGAINST ELECTRIC SHOCK.** Prevent body contact with grounded surfaces. For example; pipes, radiators, ranges, refrigerator enclosures.
21. **REPLACEMENT PARTS.** When servicing, use only identical replacement parts.
22. **POLARIZED PLUGS.** To reduce the risk of electric shock, this equipment has a polarized plug (one blade is wider than the other). This plug will fit in a polarized outlet only one way. If the plug does not fit fully in the outlet, reverse the plug. If it still does not fit, contact a qualified electrician to install the proper outlet. Do not change the plug in any way.

**VOLTAGE WARNING:** Before connecting the tool to a power source (receptacle, outlet, etc.) be sure the voltage supplied is the same as that specified on the nameplate of the tool. A power source with voltage greater than that specified for the tool can result in **SERIOUS INJURY** to the user — as well as damage to the tool. If in doubt, **DO NOT PLUG IN THE TOOL**. Using a power source with voltage less than the nameplate rating is harmful to the motor.

**SAVE THESE INSTRUCTIONS.**

## **ADDITIONAL SAFETY RULES**

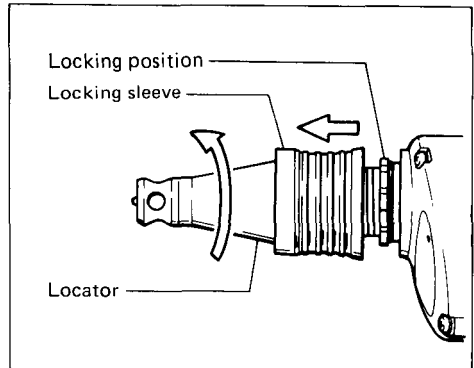
1. Always be sure you have a firm footing.  
Be sure no one is below when using the tool in high locations.
2. Hold the tool firmly.
3. Keep hands away from rotating parts.
4. When driving into walls, floors or wherever "live" electrical wires may be encountered, **DO NOT TOUCH ANY METAL PARTS OF THE TOOL!**  
Hold the tool only by the insulated grasping surfaces to prevent electric shock if you drive into a "live" wire.
5. Do not touch the bit or the workpiece immediately after operation: they may be extremely hot and could burn your skin.

**SAVE THESE INSTRUCTIONS.**

### Removing or installing locator assembly

To remove the locator assembly, pull the locking sleeve forward and then turn it counterclockwise.

To install the locator assembly, screw it clockwise and then push the locking sleeve back in lightly toward the motor. Turn the locking sleeve slightly to match the locking positions and then push in firmly to lock the locator in place.

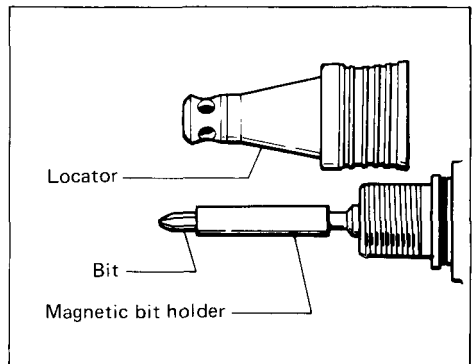


### Removing or installing bit

#### CAUTION:

Always be sure that the tool is switched off and unplugged before removing or installing bit.

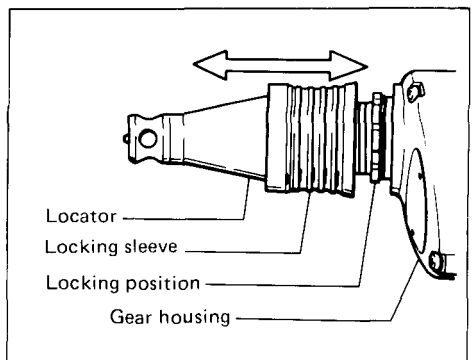
After removing the locator assembly, pull firmly to remove the magnetic bit holder. Hold the magnetic bit holder in your hand and grasp the bit with a pair of pliers. Pull the bit out of the magnetic bit holder. Sometimes, it helps to wiggle the bit with the pliers as you pull.



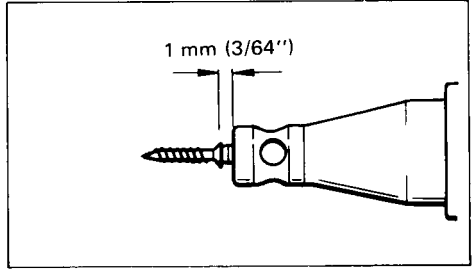
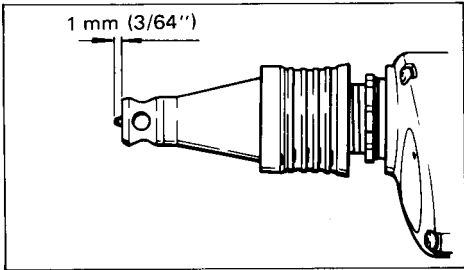
To install the bit, follow the removal procedures in reverse.

### Depth adjustment

Pull the locking sleeve forward and then turn it to adjust the depth.

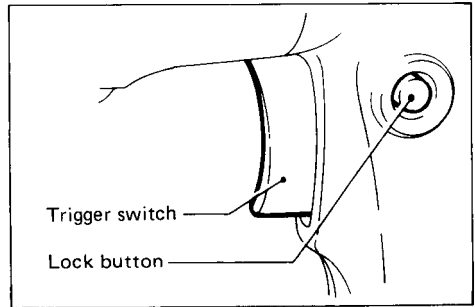


Initially, adjust the locator assembly to create a distance of approximately 1 mm (3/64") from the tip of the locator to the base of the screw head. One full turn of the locator equals 1.5 mm (1/16") change in depth. After adjusting the locator assembly, push the locking sleeve in to lock the locator in place. Drive a trial screw into your material or a piece of duplicate material. If the depth is not suitable for the screw, continue adjusting until the proper depth setting is obtained.



**Switch action**

Tool speed is increased by increasing pressure on the trigger. To start the tool, simply pull the trigger. Release the trigger to stop. For continuous operation, pull the trigger and then push in the lock button. To stop the tool from the locked position, pull the trigger fully, then release it.





**CAUTION:**

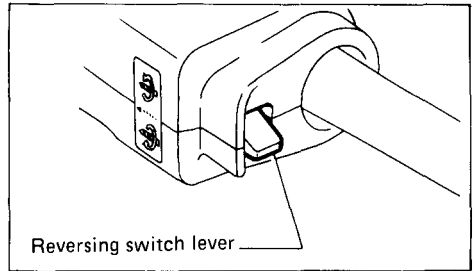
Before plugging in the tool, always check to see that the trigger switch actuates properly and returns to the "OFF" position when released.

**NOTE:**

Even with the switch on and motor running, the bit will not rotate until you fit the point of the bit in the screw head and apply forward pressure to engage the clutch.

## Reversing switch action

This tool has a reversing switch to change the direction of rotation. Move the reversing switch lever to the  position for clockwise rotation or the  position for counterclockwise.

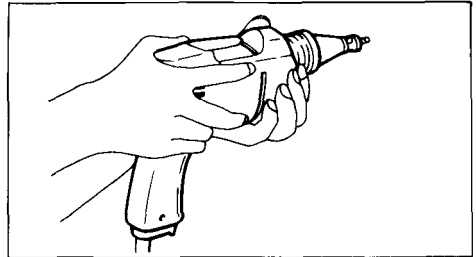


## CAUTION:

- Always check the direction of rotation before drilling.
- Use the reversing switch only when the tool comes to a complete stop. Changing the direction of rotation before the tool stops may ruin the tool.

## Operation

Fit the screw on the point of the bit and place the point of the screw on the surface of the workpiece to be fastened. Apply pressure to the tool, Start the tool slowly and then increase the speed gradually. Withdraw the tool as soon as the clutch cuts in.



## CAUTION:

- Use the proper bit for the head of the screw that you wish to use.
- When fitting the screw onto the point of the bit, be careful not to push in on the screw. If the screw is pushed in, the clutch will engage and the screw will rotate suddenly. This could damage a workpiece or cause an injury.
- Do not continue unnecessary clutching operation.

## NOTE:

Make sure that the bit is inserted straight in the screw head, or the screw and/or bit may be damaged.

## MAINTENANCE

### CAUTION:

Always be sure that the tool is switched off and unplugged before attempting to perform inspection or maintenance.

To maintain product SAFETY and RELIABILITY, repair, carbon brush inspection and replacement, any other maintenance or adjustment should be performed by Makita Authorized or Factory Service Centers, always using Makita replacement parts.

## ACCESSORIES

### CAUTION:

These accessories or attachments are recommended for use with your Makita tool specified in this manual. The use of any other accessories or attachments might present a risk of injury to persons. The accessories or attachments should be used only in the proper and intended manner.

- **Phillips insert bit (10 per pkg.)**



Size	Part No.
# 1	784212-0A
# 2	784211-2A
* # 2	784211-B
# 3	784213-A

\* Reduced nose

- **Phillips insert bit (50 per pkg.)**



Size	Part No.
# 1	784212-0B
# 2	784211-2B

- **Magnetic bit holder**

Part No. 784801-1



- **Nose piece assembly**

Part No. 122211-8

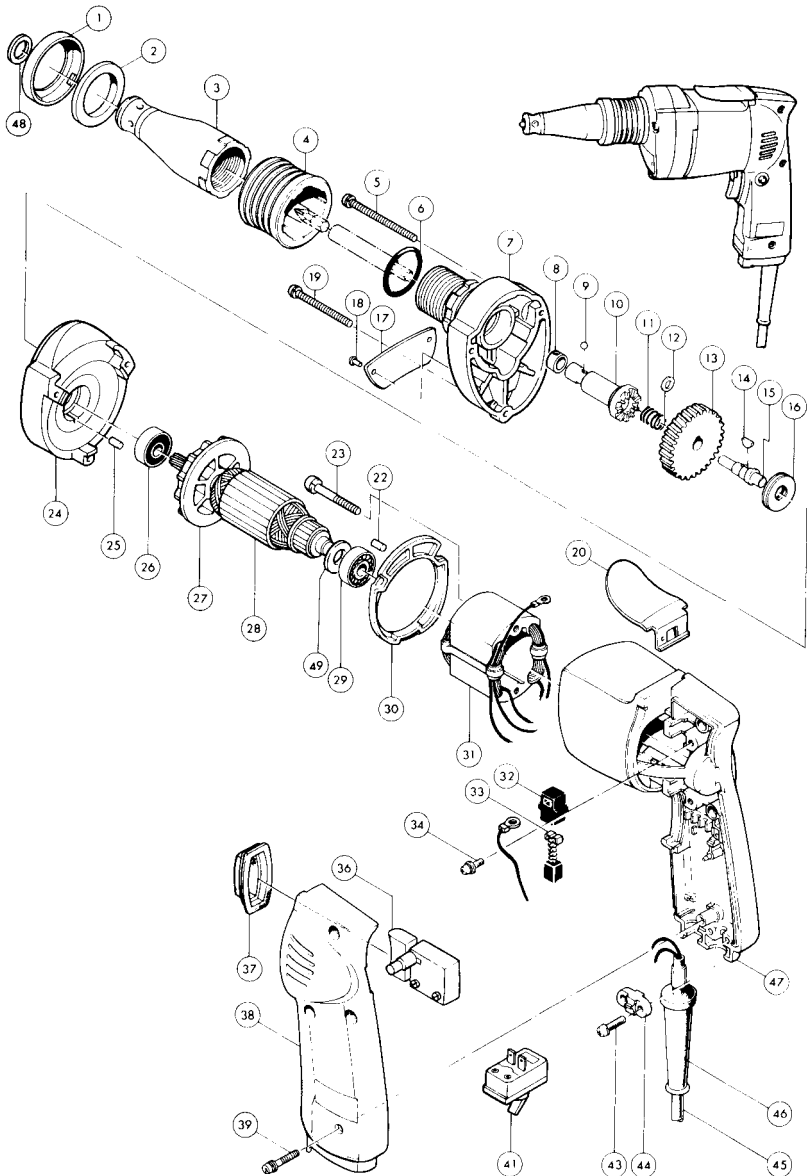




# SCREWDRIVER

## Model 6800DBV

## Model 6801DBV



Note: The switch, noise suppressor and other part configurations may differ from country to country.

ITEM NO.	NO. USED	DESCRIPTION	ITEM NO.	NO. USED	DESCRIPTION
<u>MACHINE</u>			<u>MACHINE</u>		
1	1	Felt Cover	25	1	Rubber Pin 4
2	1	Felt Ring 30	26	1	Ball Bearing
3	1	Locator	627LB		For Model 6800DBV
4	1	Locking Sleeve	608LB		For Model 6801DBV
5	2	Pan Head Screw M4x55 (With Washer)	27	1	Fan 58
6	1	O Ring 27	28	1	ARMATURE ASSEMBLY
7	1	Gear Housing			(With Item 26 29)
8	1	Leaf Spring	29	1	Ball Bearing 627LB
9	1	Steel Ball 3,5	30	1	Baffle Plate
10	1	Spindle	31	1	FIELD ASSEMBLY
11	4	Compression Spring 9	32	2	Brush Holder
12	1	Thin Washer 8	33	2	Carbon Brush
13	1	Helical Gear	34	2	Pan Head Screw M4x14 (With Washer)
		56 For Model 6800DBV	36	1	Switch
		37 For Model 6801DBV	37	1	Switch Cover
14	1	Woodruff Key 3	38	1	Handle Cover
15	1	Gear Shaft	39	3	Pan Head Screw M4x28 (With Washer)
16	1	Thrust Needle Bearing 1023	41	1	Switch
17	1	Name Plate	43	2	Pan Head Screw M4x18 (With Washer)
18	2	Rivet O 5	44	1	Strain Relief
19	1	Pan Head Screw M4x45 (With Washer)	45	1	Cord
20	1	Hook	46	1	Cord Guard
22	1	Rubber Pin 4	47	1	Motor Housing
23	2	Pan Head Screw M4x50 (With Washer)	48	1	Sponge Washer 11
24	1	Gear Housing Cover	49	1	Insulation Washer

Note: The switch and other part specifications may differ from country to country.

## MAKITA LIMITED ONE YEAR WARRANTY

### Warranty Policy

Every Makita tool is thoroughly inspected and tested before leaving the factory. It is warranted to be free of defects from workmanship and materials for the period of ONE YEAR from the date of original purchase. Should any trouble develop during this one-year period, return the COMPLETE tool, freight prepaid, to one of Makita's Factory or Authorized Service Centers. If inspection shows the trouble is caused by defective workmanship or material, Makita will repair (or at our option, replace) without charge.

This Warranty does not apply where:

- repairs have been made or attempted by others;
- repairs are required because of normal wear and tear;
- The tool has been abused, misused or improperly maintained;
- alterations have been made to the tool.

IN NO EVENT SHALL MAKITA BE LIABLE FOR ANY INDIRECT, INCIDENTAL OR CONSEQUENTIAL DAMAGES FROM THE SALE OR USE OF THE PRODUCT. THIS DISCLAIMER APPLIES BOTH DURING AND AFTER THE TERM OF THIS WARRANTY.

MAKITA DISCLAIMS LIABILITY FOR ANY IMPLIED WARRANTIES, INCLUDING IMPLIED WARRANTIES OF "MERCHANTABILITY" AND "FITNESS FOR A SPECIFIC PURPOSE," AFTER THE ONE-YEAR TERM OF THIS WARRANTY.

This Warranty gives you specific legal rights, and you may also have other rights which vary from state to state. Some states do not allow the exclusion or limitation of incidental or consequential damages, so the above limitation or exclusion may not apply to you. Some states do not allow limitation on how long an implied warranty lasts, so the above limitation may not apply to you.

**Makita Corporation**

3-11-8, Sumiyoshi-cho,  
Anjo, Aichi 446 Japan

883050C060

PRINTED IN JAPAN

1995 - 4 - N

## Free Manuals Download Website

<http://myh66.com>

<http://usermanuals.us>

<http://www.somanuals.com>

<http://www.4manuals.cc>

<http://www.manual-lib.com>

<http://www.404manual.com>

<http://www.luxmanual.com>

<http://aubethermostatmanual.com>

Golf course search by state

<http://golfingnear.com>

Email search by domain

<http://emailbydomain.com>

Auto manuals search

<http://auto.somanuals.com>

TV manuals search

<http://tv.somanuals.com>