

## Parts Breakdown

### Contents

- 2) Cylinder, Crankshaft, Crankcase
- 3) Ignition Electronics, Starter
- 4) Muffler, Air Filter
- 5) Tank, Handle
- 6) Carburtor Parts
- 7) Gear, Pump
- 8) Spray Handle

**IMPORTANT** — To assure product **SAFETY** and **RELIABILITY**, repairs, maintenance or adjustments should be performed by **MAKITA** Service Centers or other qualified service organizations. Always use **MAKITA** replacement parts.

## 2) Cylinder, Crankshaft, Crankcase

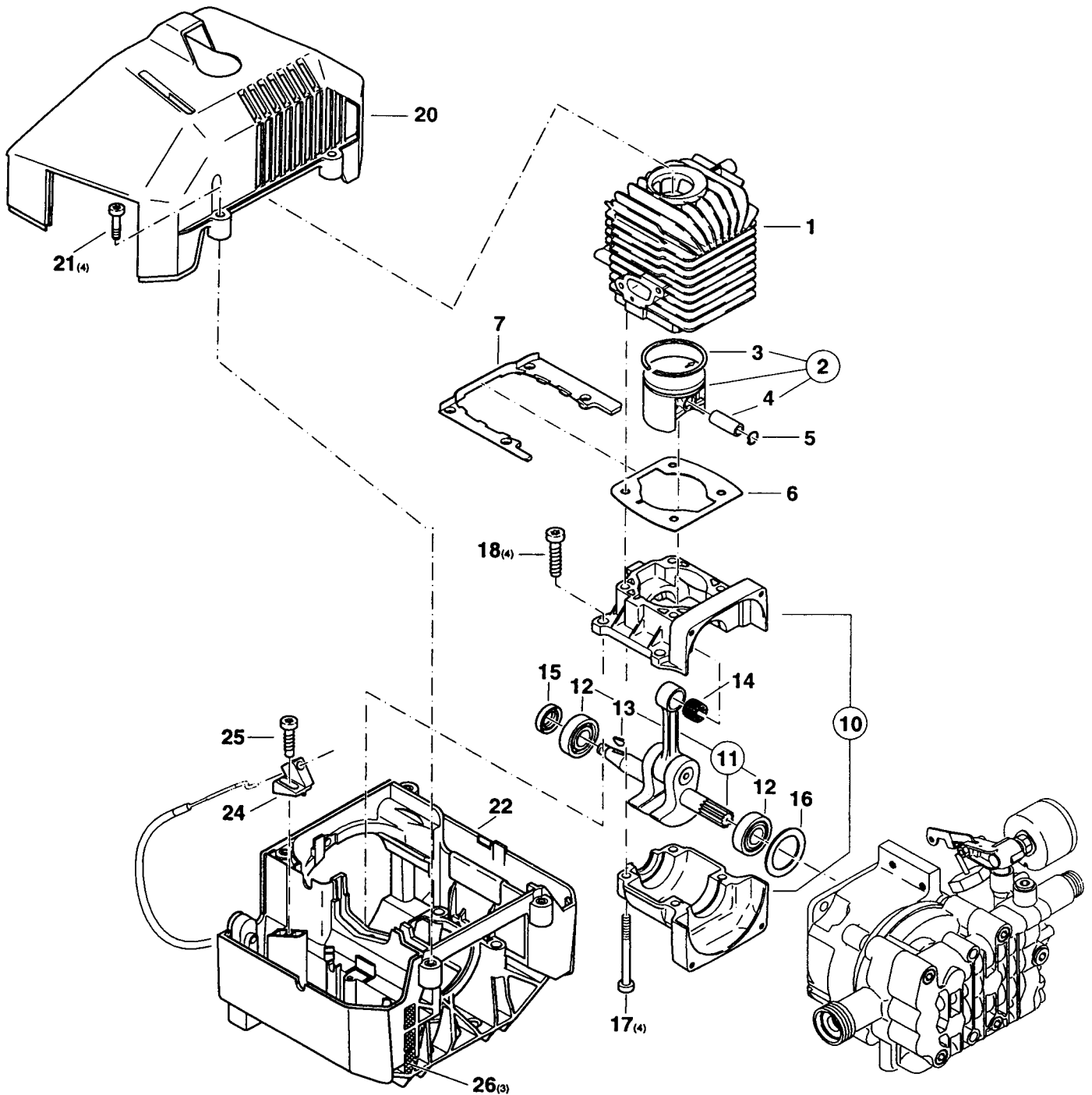


Fig.	Part No.	Qty. Used	Description	Fig.	Part No.	Qty. Used	Description
1	386-131-010	1	CYLINDER	14	962-211-033	1	NEEDLE CAGE
2	386-132-000	1	PISTON Ass'y	15	962-900-057	1	RADIAL RING
3	386-132-010	1	PISTON RING	16	900-006-217	1	DISC
4	385-132-030	1	PISTON PIN	17	908-505-555	4	SCREW M5x55
5	385-132-040	2	SPRING RING	18	913-467-254	4	SCREW 6.7x25
6	965-527-050	1	GASKET	20	385-118-010	1	HOOD
7	385-118-081	1	AIR GUIDE PLATE	21	908-605-205	4	SCREW M5x20
10	385-111-100	1	CRANKCASE Ass'y	22	356-110-100	1	MOTOR HOUSING
11	356-120-000	1	CRANKSHAFT Ass'y	24	385-176-010	1	RETAINING CLIP
12	960-102-129	2	BALL BEARING	25	913-455-204	1	SCREW 5.5x20
13	939-620-371	1	KEY	26	965-404-880	3	GASKET

### 3) Ignition Electronics, Starter

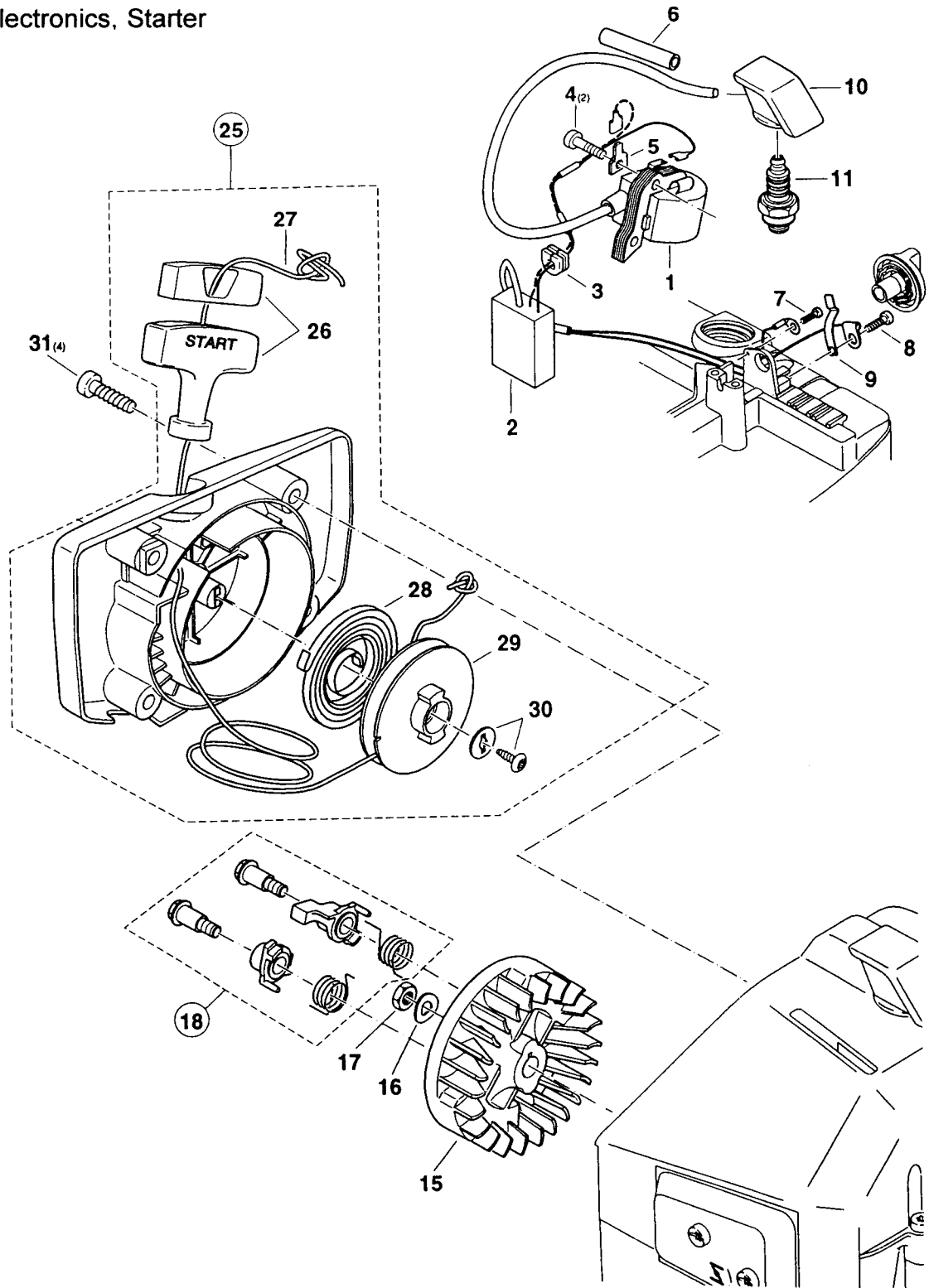


Fig.	Part No.	Qty. Used	Description	Fig.	Part No.	Qty. Used	Description
1	385-143-030	1	IGNITION COIL	15	385-141-011	1	FLYWHEEL
2	356-190-010	1	SPEED LIMITER MODULE	16	928-308-001	1	SPRING WASHER
3	965-401-018	1	RUBBER BUSH	17	920-308-024	1	HEX NUT M8x1
4	908-605-205	2	SCREW M5x20	18	957-166-356	1	STARTER RATCHET cpl.
5	965-605-411	1	PLUG	25	356-160-000	1	STARTER Ass'y
6	970-502-110	1	INSULATING HOSE	26	957-404-691	1	STARTER GRIP
7	915-135-100	2	SCREW 3.5x9.5	27	108-164-020	1	STARTER ROPE
8	913-455-204	1	SCREW 5.5x20	28	356-163-010	1	REWIND SPRING
9	356-146-010	1	CONTACT SPRING	29	356-162-010	1	CABLE DRUM
10	385-147-100	1	PLUG CAP w/Spring	30	957-169-356	1	SCREW cpl.
11	965-603-014	1	SPARK PLUG	31	913-467-254	4	SCREW 6.7x25

#### 4) Muffler, Air Filter

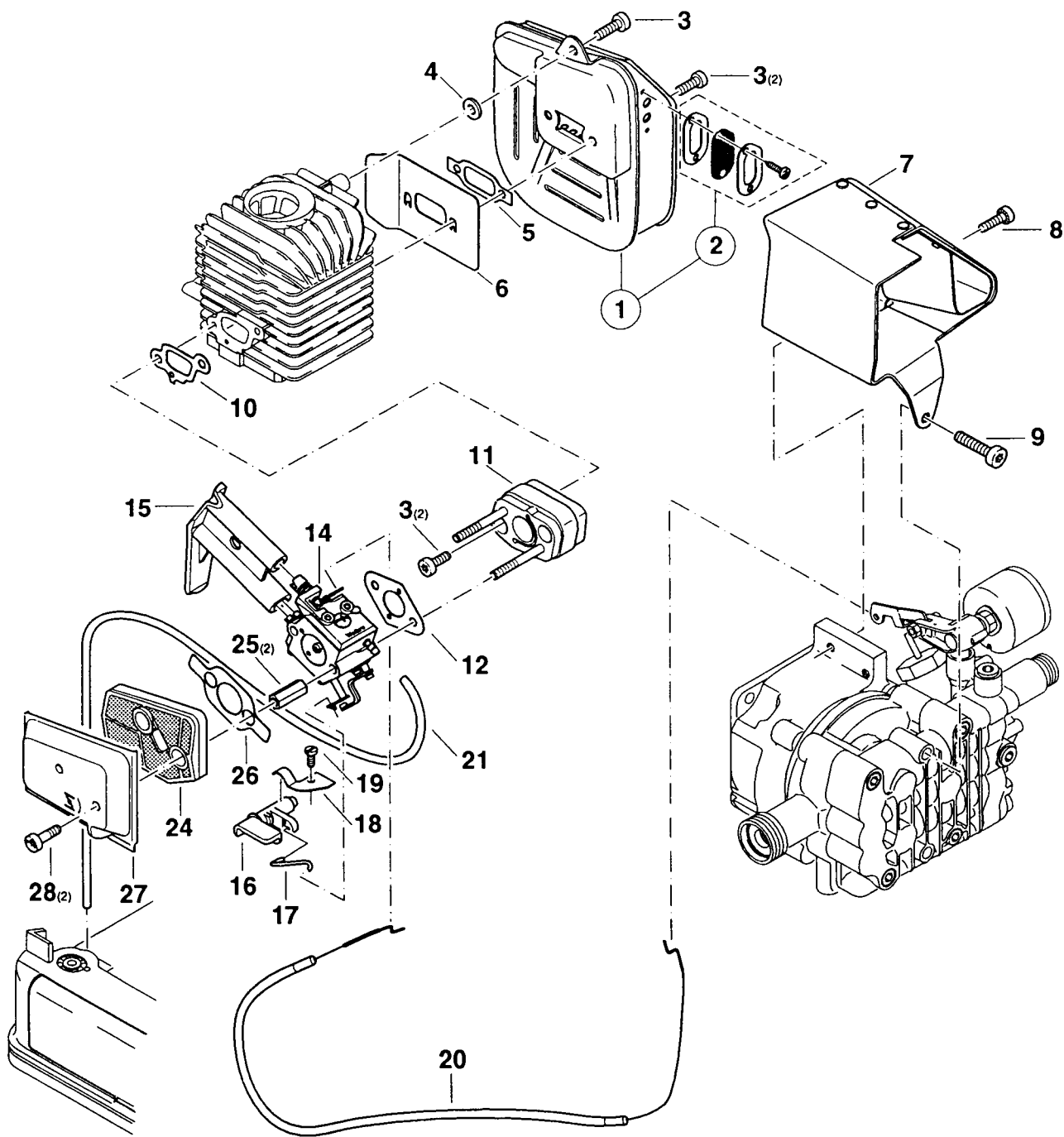


Fig.	Part No.	Qty. Used	Description	Fig.	Part No.	Qty. Used	Description
1	385-174-301	1	MUFFLER cpl.	15	385-154-010	1	ADJUSTING GUIDE
2	385-174-080	1	SPARK ARRESTER SCREEN	16	028-150-740	1	CHOKE LEVER
3	908-405-145	5	SCREW M5x14	17	385-150-030	1	CHOKE LINKAGE
4	924-105-300	1	WASHER	18	385-150-020	1	SPRING SHACKLE
5	965-522-032	1	GASKET	19	915-135-130	1	SCREW 3.5x13
6	385-174-011	1	COOLING PLATE	20	965-727-010	1	BOWDEN CABLE
7	356-174-100	1	EXHAUST DEFLECTOR	21	965-452-380	1	TUBE (21.96")
8	908-005-165	1	SCREW M5x16	24	385-173-100	1	AIR FILTER
9	908-006-255	1	SCREW M6x25	25	001-173-060	2	NUT
10	965-527-030	1	GASKET	26	965-527-060	1	GASKET
11	385-131-071	1	INTERMEDIATE FLANGE	27	385-118-060	1	COOLING COVER
12	965-527-020	1	GASKET	28	908-605-145	2	SCREW M5x14
14	385-151-000	1	CARBURETOR				

## 5) Tank, Handle

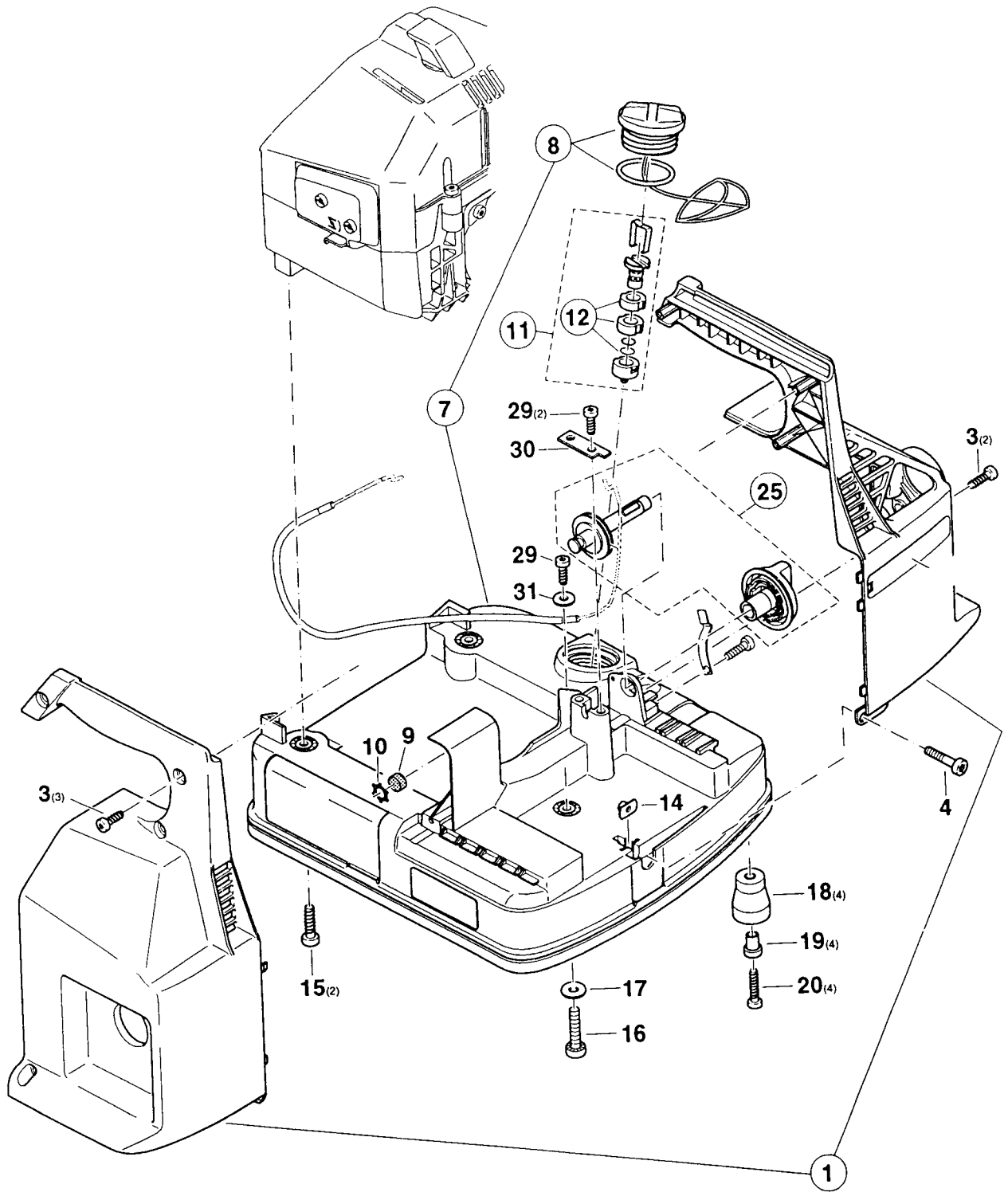


Fig.	Part No.	Qty. Used	Description	Fig.	Part No.	Qty. Used	Description
1	356-310-060	1	HANDLE cpl.	15	913-467-254	2	SCREW 6.7x25
3	913-455-204	5	SCREW 5.5x20	16	908-006-205	1	SCREW M6x20
4	908-605-205	1	SCREW M5x20	17	925-406-400	1	WASHER
7	356-114-010	1	TANK cpl.	18	965-403-380	4	RING BUFFER
8	010-114-046	1	TANK PLUG cpl.	19	356-322-010	4	EXPANDER CONE
9	965-404-840	1	GASKET	20	913-455-304	4	SCREW 5.5x30
10	930-216-030	1	TOOTHED WASHER	25	356-741-000	1	SWITCH cpl.
11	010-114-010	1	SUCTION HEAD cpl.	29	913-455-204	3	SCREW 5.5x20
12	010-114-020	1	REP. KIT, FILTER (5 of each)	30	356-176-010	1	HOLDER PLATE
14	923-605-023	1	NUT M5	31	924-306-400	1	WASHER

## 6) Carburetor Parts

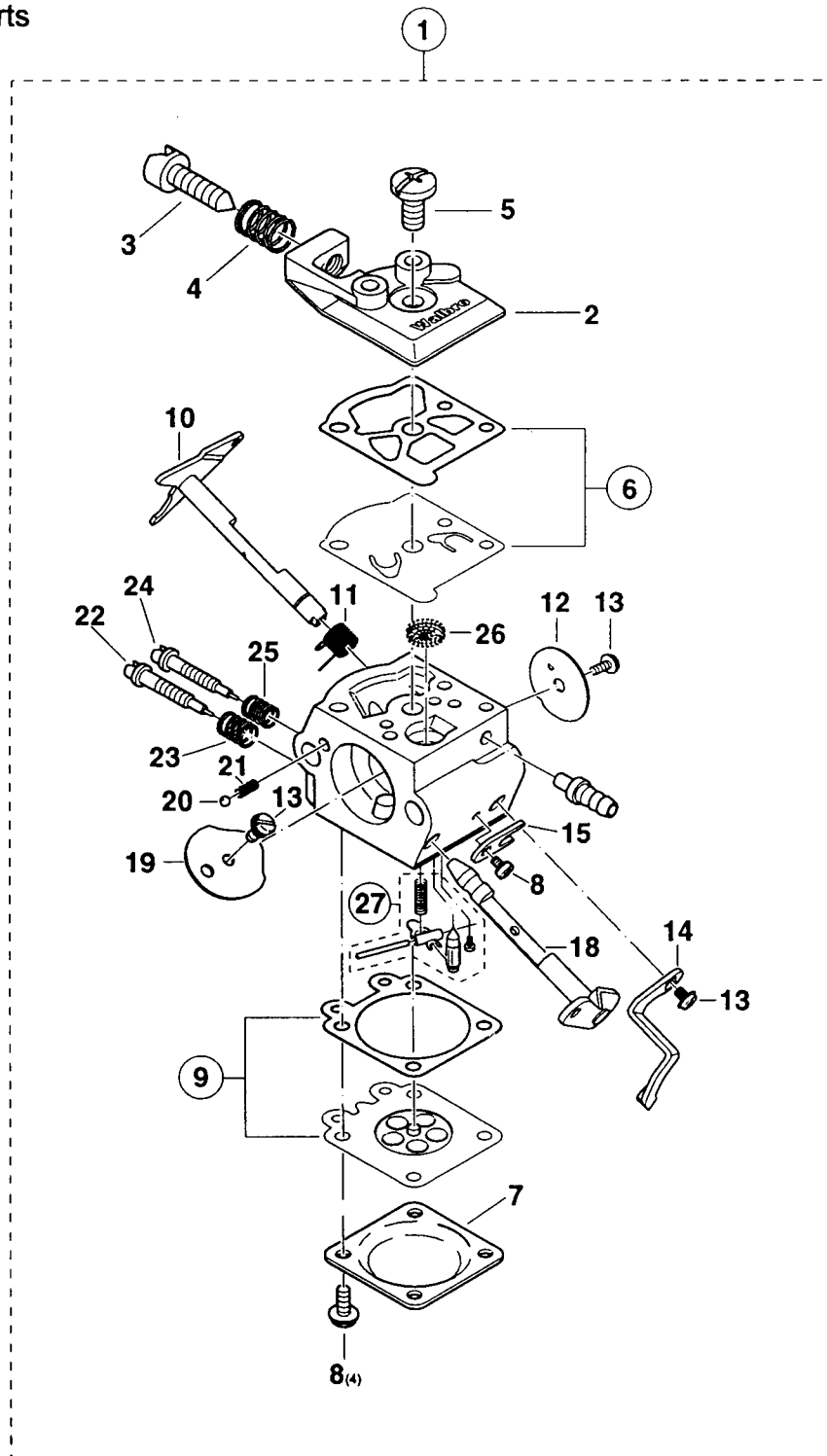


Fig.	Part No.	Qty. Used	Description	Fig.	Part No.	Qty. Used	Description
1	385-151-000	1	CARBURETOR cpl.	14	385-151-030	1	THROTTLE LEVER
2	021-151-160	1	PUMP COVER	15	108-151-350	1	SHAFT CLIP
3	001-151-400	1	IDLE STOP SCREW	18	385-151-020	1	SHAFT Ass'y, Choke
4	021-151-230	1	PRESSURE SPRING	19	001-151-350	1	CHOKE SHUTTER
5	118-151-190	1	SCREW	20	118-151-170	1	FRICTION BALL
6	957-151-010	1	PUMP DIAPHRAGM, Set	21	118-151-160	1	FRICTION SPRING
7	021-151-120	1	DIAPHRAGM COVER	22	001-151-420	1	MAIN ADJUST. SCREW (H)
8	118-151-020	5	SCREW	23	021-151-530	1	SPRING (H)
9	957-151-020	1	CONTROL DIAPHRAGM, Set	24	001-151-410	1	IDLING ADJUST. SCREW (L)
10	385-151-040	1	THROTTLE SHAFT	25	021-151-480	1	SPRING (L)
11	371-151-310	1	SPRING	26	021-151-180	1	SCREEN
12	001-151-680	1	THROTTLE SHUTTER	27	957-150-040	1	SET CONTROL PARTS
13	118-151-060	3	SCREW				

# 7) Gear, Pump

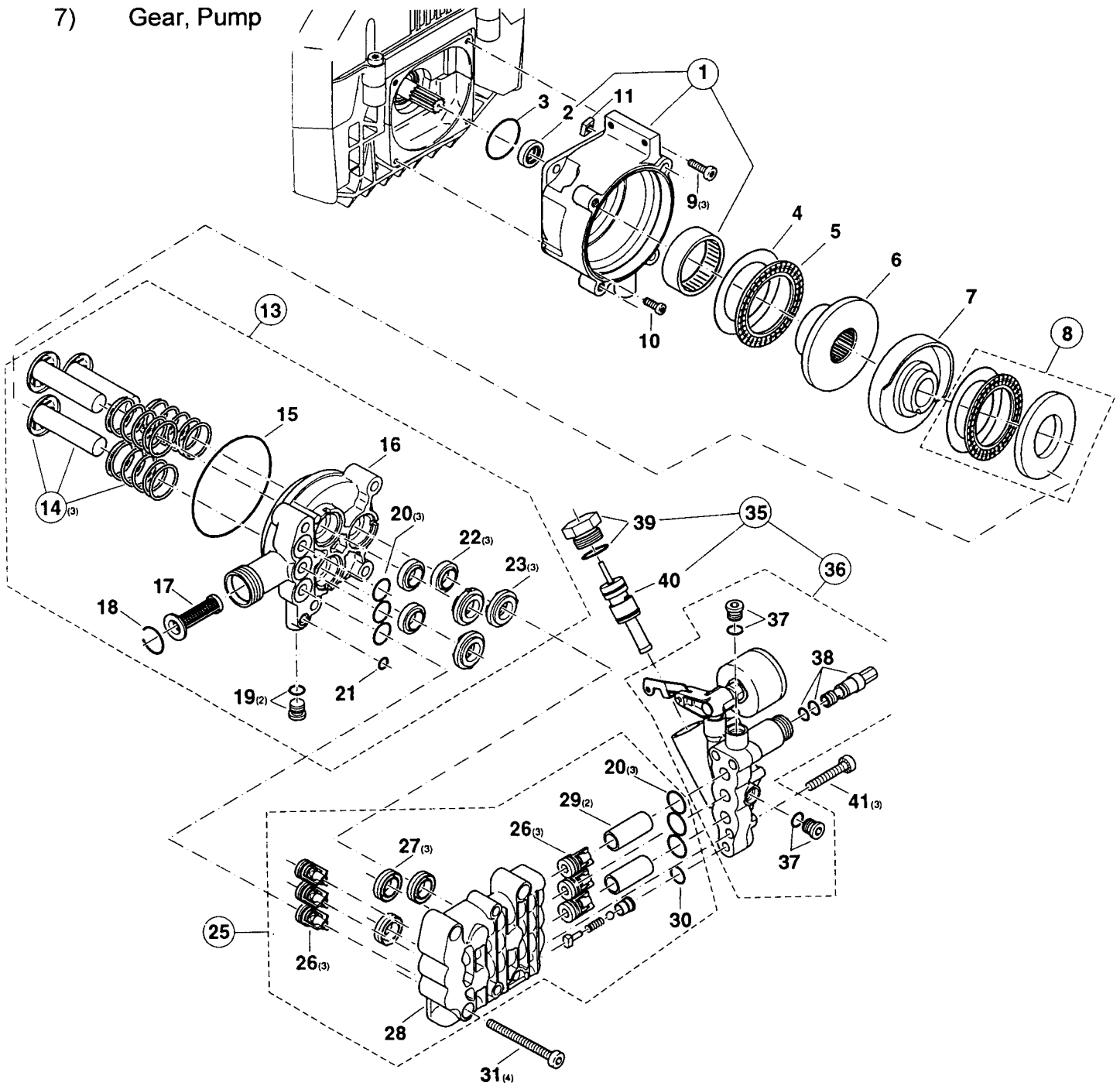


Fig.	Part No.	Qty. Used	Description	Fig.	Part No.	Qty. Used	Description
1	356-210-000	1	GEAR HOUSING cpl.	20	603-004-222	6	O-RING
2	962-900-057	1	RADIAL RING	21	603-001-823	1	O-RING
3	963-228-020	1	O-RING	22	603-003-696	3	OIL SLEEVE
4	961-300-450	1	THRUST WASHER	23	606-122-486	3	THRUST COLLAR
5	961-200-450	1	NEEDLE CAGE	25	356-711-200	1	CYLINDER HEAD cpl.
6	356-221-010	1	INT. GEARED WHEEL	26	606-124-343	6	VALVE cpl.
7	356-221-030	1	WOBBLE DISC	27	603-001-914	3	U-SLEEVE
8	606-122-653	1	REPAIR KIT, Bearing	28	356-711-010	1	CYLINDER HEAD
9	908-005-165	3	SCREW M5x16	29	606-122-475	2	SPACER
10	908-405-145	1	SCREW M5x14	30	603-003-688	1	O-RING
11	921-906-004	1	NUT M6	31	965-551-051	4	SCREW M6x70
13	606-122-317	1	CYLINDER BLOCK cpl.	35	356-732-000	1	BY-PASS VALVE cpl.
14	606-123-721	3	REPAIR KIT, Piston	36	356-732-200	1	VALVE HOUSING
15	603-003-654	1	O-RING	37	606-123-655	2	PLUG with O-RING
16	606-122-534	1	CYLINDER BLOCK	38	606-124-039	1	STEERING NOZZLE
17	606-125-144	1	FILTER	39	356-732-100	1	VALVE BOLT cpl.
18	601-807-833	1	SPRING RING	40	356-732-300	1	BY-PASS VALVE SYSTEM cpl.
19	606-122-313	2	PLUG with O-RING	41	908-006-355	3	SCREW M6x35

# 8) Spray Handle

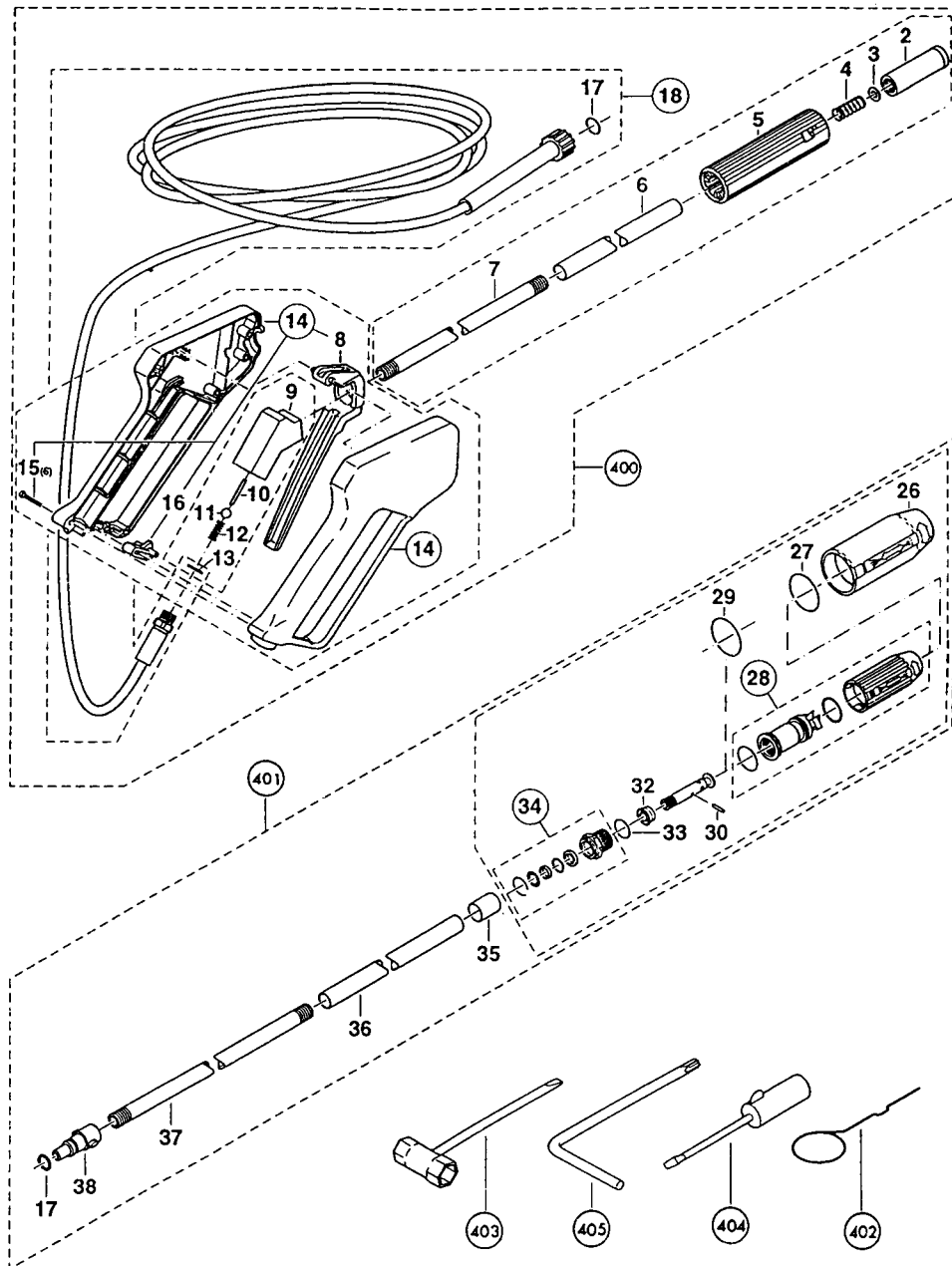


Fig.	Part No.	Qty. Used	Description
2	606-120-479	1	BUSH
3	606-120-481	1	WASHER
4	602-600-518	1	SPRING
5	606-120-480	1	HANDLE
6	606-122-524	1	PVC COVER
7	606-122-525	1	TUBE
8	606-120-456	1	TRIGGER
9	606-122-375	1	VALVE HOUSING Cpl.
10	606-120-567	1	PIN
11	603-401-700	1	BALL
12	602-600-070	1	SPRING
13	603-000-460	1	O-RING
14	606-122-663	1	HANDLE
15	601-805-480	6	SCREW 4x20
16	606-120-457	1	SAFETY CATCH
17	603-001-211	1	O-RING
18	601-405-467	1	HOSE Cpl.
26	606-120-525	1	NOZZLE CAP
27	603-000-262	1	O-RING
28	606-123-634	1	O-RING

Fig.	Part No.	Qty. Used	Description
29	603-000-684	1	PIN
30	601-804-541	1	NOZZLE Repair Kit
32	603-001-815	1	U-SLEEVE
33	603-001-807	1	O-RING
34	606-123-635	1	UNION NUT Cpl.
35	606-122-544	1	BUSH
36	606-122-526	1	PVC COVER
37	606-240-918	1	TUBE
38	606-120-486	1	NIPPLE

### ACCESSORIES

400	606-128-376	1	SPRAY HANDLE cpl., (Incl. Fig. 2 ~ 18)
401	606-128-377	1	MULTISPEED SPRAY LANCE (Incl Fig. 26 ~ 30 & 32 ~ 38)
402	606-401-654	1	NOZZLE CLEANING TOOL
403	941-719-131	1	UNIVERSAL WRENCH
404	944-340-001	1	SCREWDRIVER
405	940-827-000	1	ANGLED SCREWDRIVER



## Free Manuals Download Website

<http://myh66.com>

<http://usermanuals.us>

<http://www.somanuals.com>

<http://www.4manuals.cc>

<http://www.manual-lib.com>

<http://www.404manual.com>

<http://www.luxmanual.com>

<http://aubethermostatmanual.com>

Golf course search by state

<http://golfingnear.com>

Email search by domain

<http://emailbydomain.com>

Auto manuals search

<http://auto.somanuals.com>

TV manuals search

<http://tv.somanuals.com>