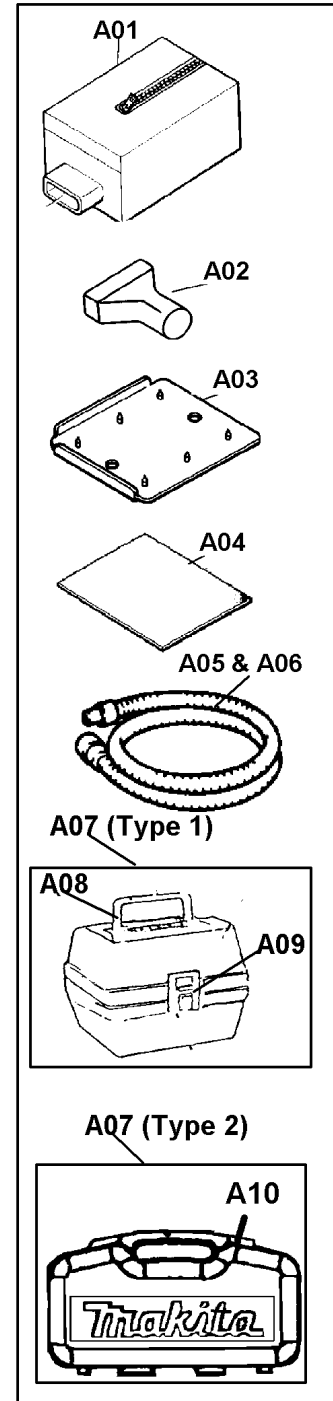
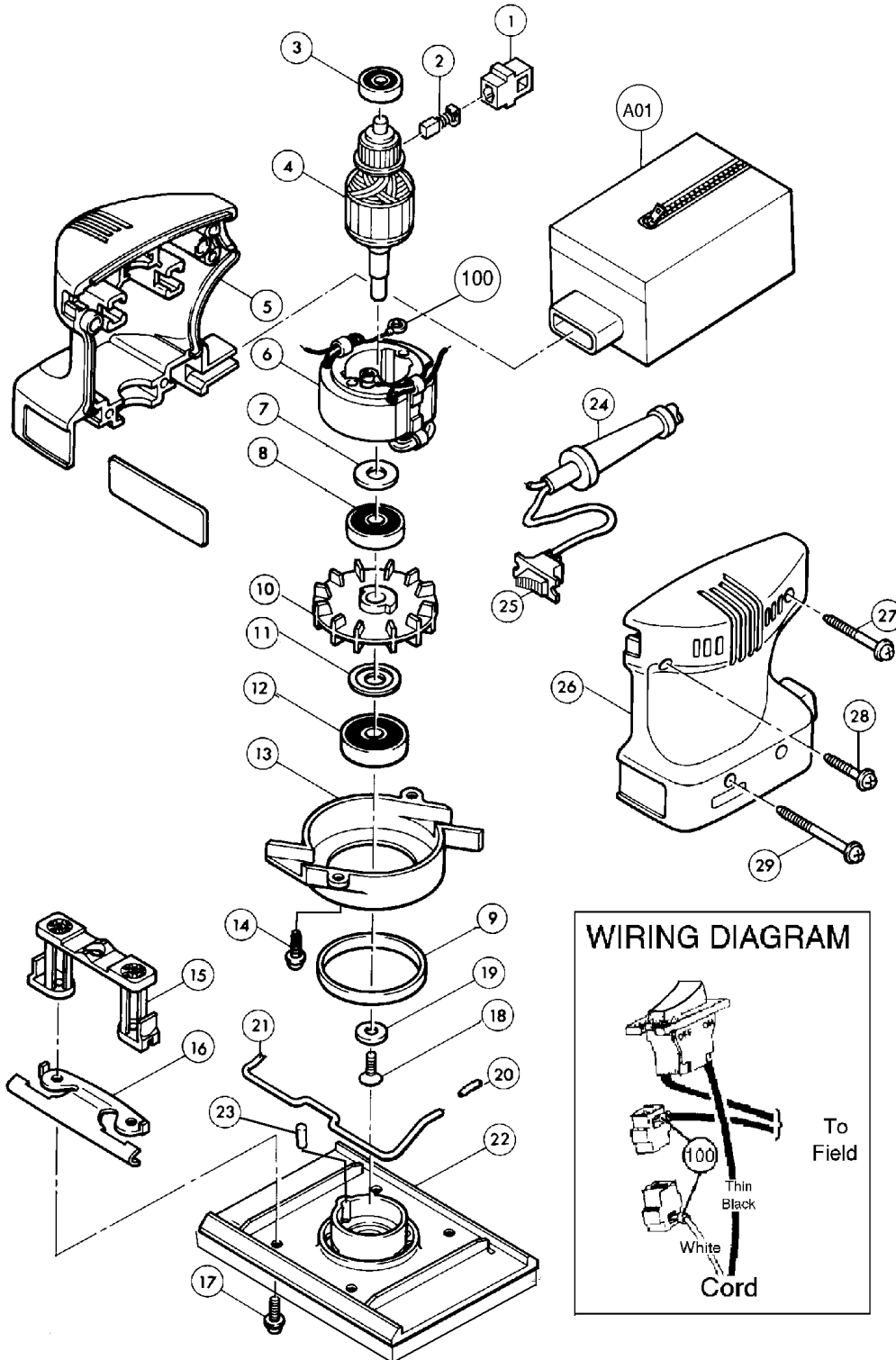


1/4" SHEET FINISHING SANDER

Model BO4552 (MCA)
 Model BO4552K (MCA)
 (With Case)
 Model BO4552KX (MCA)
 (With Case & Extra Sandpaper)



05-2003

Item No.	Part No.	No. Used	Description	Item No.	Part No.	No. Used	Description
1	643552-4	2	Brush Holder	25	651523-7	1	Switch (Old 651513-0)
2	191956-9	2	Carbon Brush CB-75	26	*	1	Housing (L)
3	211016-2	1	Ball Bearing 626LLB	27	265876-4	1	Tapping Screw BT4x40
4	611641-3	1	Armature (Old 511566-0 - Assy)	28	265875-6	1	Tapping Screw BT4x25
5	*	1	Housing (R)	29	265872-2	2	Tapping Screw BT4x50
6	*	1	Field Assy (With Item 100- 1pair)	100	654002-4	2	Solderless Eye Terminal 1.25-M4
7	253214-2	1	Flat Washer 9	Accessories			
8	211092-6	1	Ball Bearing 629DDW	A01	166027-1	1	Dust Bag
9	262512-3	1	Rubber Sleeve	A02	410870-A	1	Adaptor
10	241658-8	1	Fan 63	A03	163355-5	1	Punch Plate
11	213051-6	1	Dust Seal 10	A04	----	1	Abrasive Paper (See Catalogue for Details)
12	211066-7	1	Ball Bearing 6200LLB	A05	192108-5	1	Hose (19-2.5M)
13	410752-9	1	Fan Guide (Baffle Plate)	A06	192375-2	1	Hose(38-2.5M)
14	265871-4	2	Tapping Screw BY4x16		192376-0	1	Hose (38-5.0M)
15	410918-1	2	Foot	A07	824427-8	1	Plastic Carrying Case (Type 1) (Includes Items A08 & A09)
16	342986-5	2	Clamper		824562-2	1	Plastic Carrying Case (Type 2) (Includes Item A10)
17	251364-7	4	P.H. Screw M4(Old 911118-1)	A08	A00180-9	1	Handle (S)
18	912117-6	1	C.H.S. Screw M4X12	A09	A00182-5	1	Snap Lock (M)
19	253825-3	1	Flat Washer 6	A10	416400-0A	2	Slide Latch
20	415551-4	1	Cap 5				
21	322685-5	2	Lever				
22	151411-3	1	Base Com. (With Items 9, 23 & Felt Pad)				
23	263002-9	1	Rubber Pin 4				
24	664425-8	1	Cord with Plug & Cord Guard 2P-18-1.8				

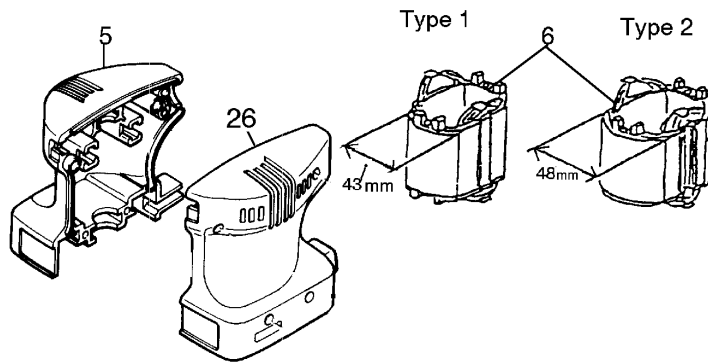
Felt Pad only - Not Available, Please use Base Com. (Item 22)

SANDER/VACUUM CONNECTING INFORMATION -

BO4552 + A02 + A05 + A06 CONNECTS TO VACUUM 401*, 403*, 404*

SERVICE CHANGES

1. Change on Field Assy and Housing Set.



Item No.	Description	Type 1	Type 2
5	Housing (R)	410938-9	182902-3 Set
26	Housing (L)	410937-7	
6	Field Assy	599302-4	593371-7

Above parts are completely interchangeable as a set.
Types 1 & 2 Field Assy are still available.
Type 2 Housings are available for a limited time only.

2 Model BO4552
2 Model BO4552K
2 Model BO4552KX

Free Manuals Download Website

<http://myh66.com>

<http://usermanuals.us>

<http://www.somanuals.com>

<http://www.4manuals.cc>

<http://www.manual-lib.com>

<http://www.404manual.com>

<http://www.luxmanual.com>

<http://aubethermostatmanual.com>

Golf course search by state

<http://golfingnear.com>

Email search by domain

<http://emailbydomain.com>

Auto manuals search

<http://auto.somanuals.com>

TV manuals search

<http://tv.somanuals.com>