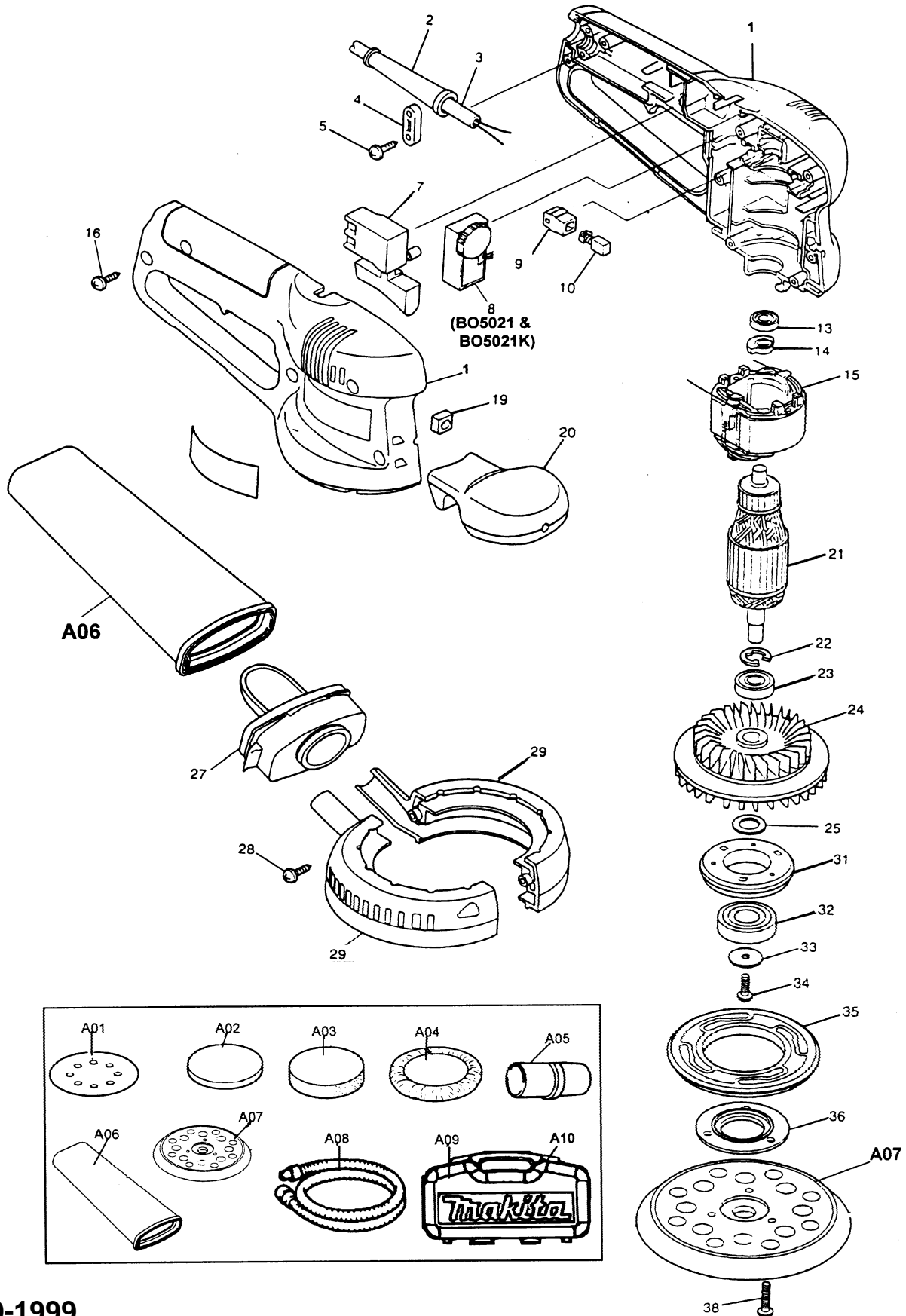
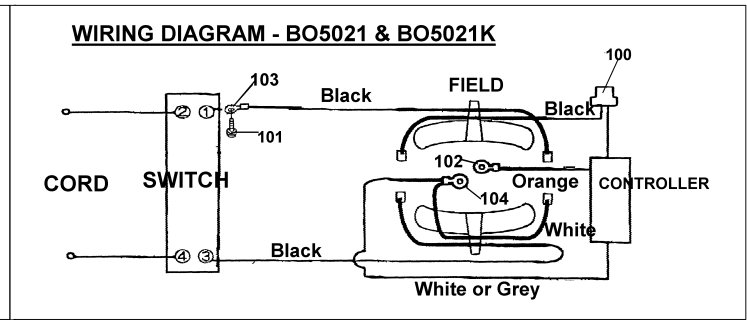
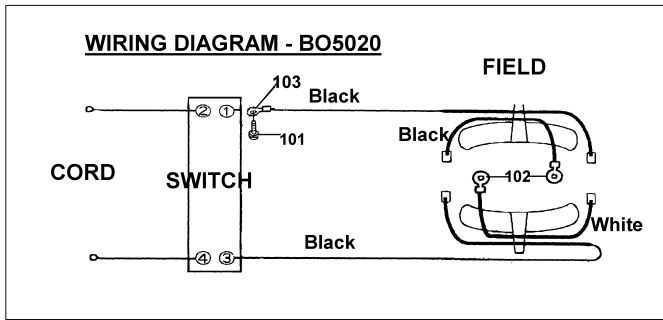


5" RANDOM ORBITAL SANDER Model BO5020
5" RANDOM ORBITAL SANDER V.S. Model BO5021
5" RANDOM ORBITAL SANDER V.S. KIT Model BO5021K





Item No.	Part No.	No. Used	Description
1	183107-8	1	Housing Set (BO5020) (Includes 263002-9 - Rubber Pin 4)
	183108-6	1	Housing Set (BO5021/BO5021K) (Includes 263002-9 - Rubber Pin 4)
2	682502-4	1	Cord Guard 8-85
3	664013-1	1	Cord With Plug 2P-18-2.5M
4	687063-9	1	Strain Relief (BO5020)
	687052-4	1	Strain Relief (BO5021/BO5021K)
5	265995-6	2	Tapping Screw 4X18
7	651286-5	1	Switch
8	631351-6	1	Controller (BO5021/BO5021K)
9	643552-4	2	Brush Holder 5-8
10	191956-9	2	Carbon Brush CB-75 (2pcs/Set)
13	210017-7	1	Ball Bearing 607DDW
14	313080-0	1	Counter Weight
15	633431-4	1	Field
16	265995-6	8	Tapping Screw 4X18
19	252045-6	1	Square Nut M5
20	168324-1	1	Front Grip
21	517231-9	1	Armature Assy (Includes Items 13, 14, 22 & 23)
22	961015-1	1	Stop Ring E-9
23	210020-8	1	Ball Bearing 6000DDU
24	241896-2	1	Fan 88
25	253315-6	1	Thin Washer 15
27	151518-5	1	Dust Nozzle Com.

Item No.	Part No.	No. Used	Description
28	265995-6	2	Tapping Screw 4X18
29	183088-6	1	Skirt Set (2pcs)
31	316835-2	1	Bearing Box
32	*	1	Ball Bearing 6002DDW
33	253739-6	1	Flat Washer 4
34	911116-5	1	P.H. Screw M4X12
35	416062-2	1	Brake Ring
36	316834-4	1	Bearing Box Cover
38	911128-8	3	P.H. Screw M4X16
100	654562-6	1	Insulated Connector (BO5021/BO5021K)
101	652008-6	4-6	P.H. Screw M3.5X7
102	654037-5	1-2	Insulated EyeTerminal FV1.25-M3
103	654037-5	4	Insulated EyeTerminal FV1.25-M3 (Old 654117-7)
104	654077-3	1	Insulated Eye Terminal (BO5021/BO5021K)
Accessories			
A01	-----	1	5" Abrasive Disc (See Catalogue for Details)
A02	794558-6	1	Sponge Pad 125 (For BO5021/BO5021K)
A03	794559-4	1	Felt pad 125 (For BO5021/BO5021K)
A04	794560-9	1	Wool Pad 140 (For BO5021/BO5021K)
A05	192349-3	1	Joint 25
A06	151517-7	1	Dust Bag Com.
A07	743051-7	1	Pad 123
A08	192278-0	1	Hose Com. 28-1.5M
A09	824562-2	1	Plastic Carrying Case (Includes Item A10)
A10	416400-0A	2	Latch Lock

* SEE SERVICE CHANGES

SERVICE CHANGES

1. Change on Ball Bearing.

Item No.	Description	Type 1	Type 2
32	Ball Bearing 6002DDW	211227-9	211236-8

Above parts are completely interchangeable

To Prevent excess rotation when the Sander is NO LOAD, please change to Type 2 Ball Bearing which is packed with a thinner grease. There is no visual difference between Type 1 & Type 2 Ball Bearings.

- 2 Model BO5020
- 2 Model BO5021
- 2 Model BO5021K

Free Manuals Download Website

<http://myh66.com>

<http://usermanuals.us>

<http://www.somanuals.com>

<http://www.4manuals.cc>

<http://www.manual-lib.com>

<http://www.404manual.com>

<http://www.luxmanual.com>

<http://aubethermostatmanual.com>

Golf course search by state

<http://golfingnear.com>

Email search by domain

<http://emailbydomain.com>

Auto manuals search

<http://auto.somanuals.com>

TV manuals search

<http://tv.somanuals.com>