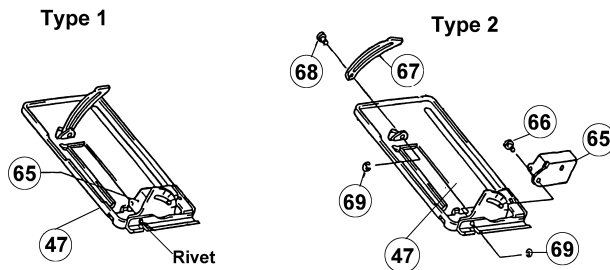


SERVICE CHANGES

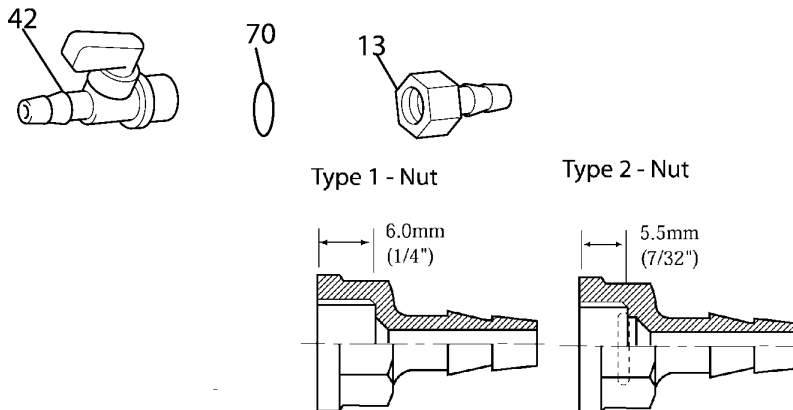
1. Change on Method of attaching Angular Guide.



| Item No. | Description | Type 1 | Type 2 |
|----------|---------------|----------|------------------|
| 47 | Base | 168301-3 | 168318-6 |
| 65 | Angular Guide | ----- | 344595-6 |
| 66 | Pin 5 | ----- | 268028-6 |
| 67 | Depth Guide | ----- | 344593-0 |
| 68 | Pin 4 | ----- | 268004-0 |
| 69 | Stop Ring E-3 | ----- | 961017-7 (2 pcs) |

Above parts are completely interchangeable as a set.

2. Change on Nut, Addition of O Ring.



| Item No. | Description | Type 1 | Type 2 |
|----------|-------------|--------|---------------------------|
| 13 | Nut | ----- | 416145-8 |
| | | ----- | Space provided for O Ring |
| 70 | O Ring 7 | ----- | 213026-5 |

Above parts are completely interchangeable as a set.

Free Manuals Download Website

<http://myh66.com>

<http://usermanuals.us>

<http://www.somanuals.com>

<http://www.4manuals.cc>

<http://www.manual-lib.com>

<http://www.404manual.com>

<http://www.luxmanual.com>

<http://aubethermostatmanual.com>

Golf course search by state

<http://golfingnear.com>

Email search by domain

<http://emailbydomain.com>

Auto manuals search

<http://auto.somanuals.com>

TV manuals search

<http://tv.somanuals.com>