

Item No.	Part No.	No. Used	Description
1	240003-4	1	Fan 80
2	510057-8	1	Armature Assy (Includes Items 1, 3, 4, 34 & 35)(Do Not Use 516826-5)
3	681625-5	1	Insulation Washer
4	211033-2	1	Ball Bearing 608LB
5	590010-0	1	Field Assy (5007F)I [includes Items 10 (2pcs) & 72 (2pcs)]
	596231-2	1	Field Assy (5007FA)[Includes Items 10(1pc) & 72 (1pc)]
7	*	1	Switch (5007F)
	651042-3	1	Switch 8670K2 Double W/O Lock (5007FA)
8	265995-6	4	Tapping Screw 4X18
10	654020-2	2	Garner Spring
11	911273-9	3	P.H. Screw M5X50
12	152989-9	1	Motor Housing Com. (Includes 2X643660-1 - Brush Holder 6.5-13.5)
13	181047-4	2	Carbon Brush CB-154 (2pcs/Set)
14	643650-4	2	Brush Holder Cap 6.5-13.5
15	682505-8	1	Cord Guard 10-90
16	687052-4	1	Strain Relief
17	265995-6	2	Tapping Screw 4X18
19	417712-2	1	Handle Cover
20	664463-0	1	Cord With Plug 2P-14-2.5
21	266046-8	2	Tapping Screw 5x50
22	251644-1	1	Hex. Flange Head Bolt M8X20
23	224275-9	1	Outer Flange 40
24	224151-7	1	Inner Flange 40 5/8"
25	961201-4	1	Retaining Ring S-42
26	231828-7	1	Tension Spring 4
28	324256-4	1	Spindle
30	211206-7	1	Ball Bearing 6202LLB
31	251247-1	1	+ P.H. Screw M6X20
32	262502-6	1	Rubber Sleeve 6
33	*	1	Blade Case Com. (Includes Items 42 & 213459-4 - O Ring 32)
34	211106-1	1	Ball Bearing 6201LLB
35	213102-5	1	Dust Seal 12

Item No.	Part No.	No. Used	Description
36	163113-9	1	Spindle Lock
37	931402-8	1	Hex. Nut M8
38	911106-8	1	P.H. Screw M4X8
39	341415-5	1	Lock Plate
40	341416-3	1	Lever Plate
41	941201-0	1	Flat Washer 8
42	212052-1	1	Needle Bearing 1010
44	226532-1	1	Helical Gear 39
45	257064-7	1	Ring 15
46	316700-5	1	Bearing Box
47	911126-2	4	P.H. Screw M4X16
48	317436-9	1	Safety Cover
49	341417-1	1	Lever
50	266026-4	1	Tapping Screw Bind CT 4X12
51	251858-2	1	Screw M6X15
52	265075-8	1	+ P.H. Screw M5
53	251920-3	1	Cap Square Neck Bolt M6X30
54	*	1	Flat Washer
55	912212-2	4	Countersunk Head Screw M5X12
56	*	1	Cap Square Neck Bolt M8X24
57	163378-3	1	Base
58	163248-6	1	Angular Plate
59	941151-9	1	Flat Washer 6
60	942151-2	1	Spring Washer 6
61	252624-0	1	Wing Nut M6
62	266180-4	1	+ Screw M5X12 (Type 1)
	266213-5	1	H.S.H. Bolt M5X12 (Type 2)
63	962153-2	1	Retaining Ring R-35
64	252103-8	1	Hex. Lock Nut M5-8
65	417711-4	1	Baffle Plate
66	417468-7	1	Frame
67	631453-8	1	Light Circuit
68	651514-8	1	Switch SLE6A
69	654531-7	1	Terminal Block 2P
70	800020-2	1	Indication Label (5007FA Only)
71	819003-1	1	Makita Label
72	654502-4	2	Connector P-2
73	961055-9	1	Retaining Ring
100	654001-6	3-4	Solderless Eye Terminal R1.25-3.5 (4pcs - 5007F) (3pcs - 5007FA)
101	654069-2	1	Receptacle

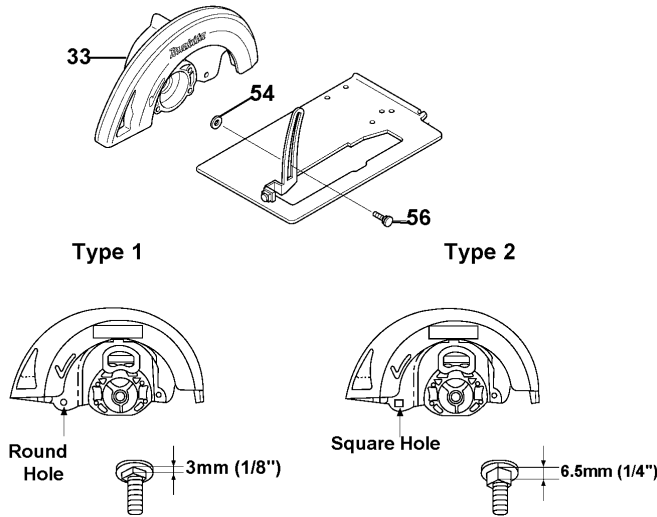
2 Model 5007F
 2 Model 5007FK
 2 Model 5007FA
 2 Model 5007FAK

Item No.	Part No.	No. Used	Description	Item No.	Part No.	No. Used	Description
102	*	4	Screw (5007F)	A02	721262-C	1	7-1/4" C.T.Mak Blade 24 Teeth
	652021-4	3	Bind Screw No. 5-40UNCX5 (5007FA)		721262-A	1	7-1/4" C.T.Mak Blade 24 Teeth(Bulk)(Min. 10 Order)
Accessories				A03	782016-4	1	Offset Wrench 13
A01	164095-8	1	Guide Rule	A04	824473-1	1	Plastic Carrying Case (Includes Item A05)
				A05	417059-4	2	Latch

SERVICE CHANGES

* SEE SERVICE CHANGES

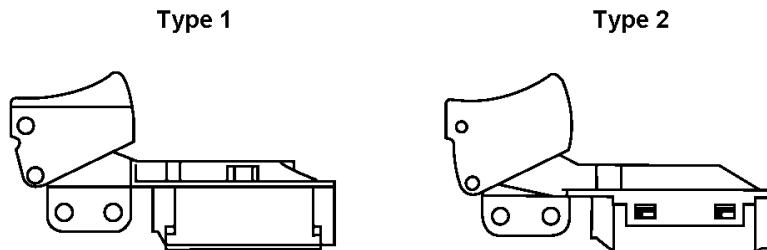
1. Change on Blade Case Com. etc.



Item No.	Description	Type 1	Type 2
33	Blade Case Com.	153304-0	153531-9
54	Flat Washer	267096-6 (Flat Washer 8)	267113-2 (Flat Washer 12)
56	Cap Square Neck Bolt M8X24	265965-5	266249-4

Above parts are completely interchangeable as a set.

2. Change on Switch,



Item No.	Description	Type 1	Type 2
7	Switch	651121-7 (8638K2)	651168-1 (TG923TN-1)
102	Screw	652021-4 (Terminal Screw + Bind Screw No 5-40UNCX5)	652008-6 (P.H. Screw M3.5X7)

Above parts are completely interchangeable as a set.

- 3 Model 5007F
- 3 Model 5007FK
- 3 Model 5007FA
- 3 Model 5007FAK

Free Manuals Download Website

<http://myh66.com>

<http://usermanuals.us>

<http://www.somanuals.com>

<http://www.4manuals.cc>

<http://www.manual-lib.com>

<http://www.404manual.com>

<http://www.luxmanual.com>

<http://aubethermostatmanual.com>

Golf course search by state

<http://golfingnear.com>

Email search by domain

<http://emailbydomain.com>

Auto manuals search

<http://auto.somanuals.com>

TV manuals search

<http://tv.somanuals.com>