



# 7-1/4" (185mm) CIRCULAR SAW

Model 5007NH  
Model 5007NHK

**IMPORTANT** — To assure product **SAFETY** and **RELIABILITY**, repairs, maintenance or adjustments should be performed by **MAKITA** Service Centers or other qualified service organizations. Always use **MAKITA** replacement parts.

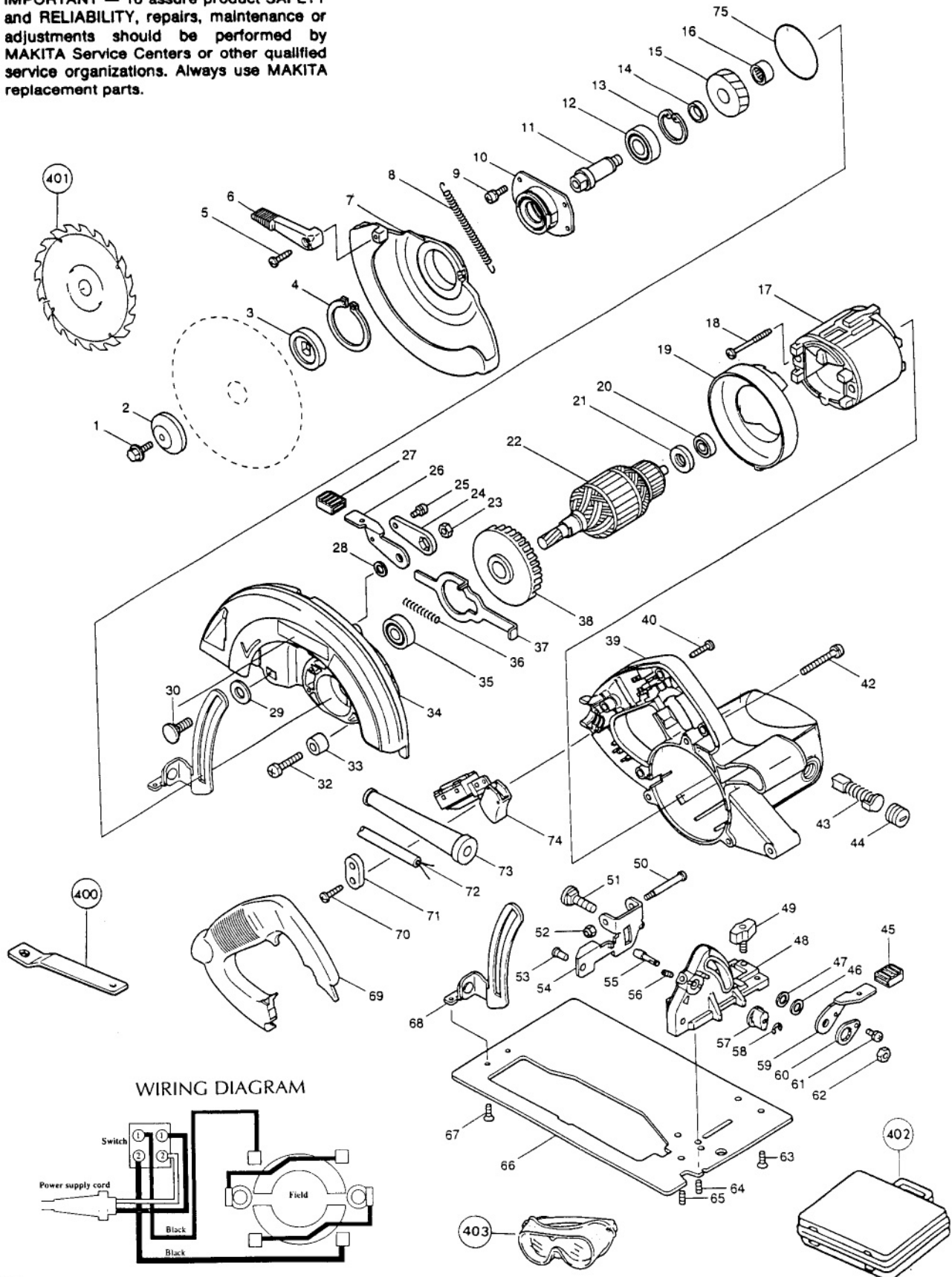


Fig.	Part No.	Qty. Used	Description	Fig.	Part No.	Qty. Used	Description
1	251644-1	1	H.F.H. BOLT M8x20				Holder 6.5-13.5)
2	224275-9	1	OUTER FLANGE 40	40	265995-6	4	TAPPING SCREW 4x18
3	224151-7	1	INNER FLANGE 40	42	911273-9	3	P.H. SCREW M5x50
4	961201-4	1	RETAINING RINGS-42	43	181047-4	1	CARBON BRUSH CB-154 SET
5	266034-5	1	TAPPING SCREW CT 4x16	44	643650-4	2	BRUSH HOLDER Cap 6.5-13.5
6	417290-2	1	LEVER	45	421746-9	1	RUBBER CAP
7	317374-5	1	SAFETY COVER	46	941201-0	1	FLAT WASHER 8
8	231806-7	1	TENSION SPRING 4	47	941201-0	1	FLAT WASHER 8
9	911126-2	4	P.H. SCREW M4x16	48	317375-3	1	ANGULAR PLATE
10	316700-5	1	BEARING BOX	49	251858-2	1	SCREW M6x15
11	324044-9	1	SPINDLE	50	265075-8	1	P.H. SCREW M5
12	211228-7	1	BALL BEARING 6202DDW	51	265845-5	1	C.S.N. BOLT M8x30
13	962153-2	1	RETAINING RING R-35	52	252103-8	1	H. LOCK NUT M5-8
14	257064-7	1	RING 15	53	256442-8	1	SHOULDER PIN 6-7
15	226532-1	1	HELICAL GEAR 39	54	344887-3	1	ANGULAR GUIDE
16	212052-1	1	NEEDLE BEARING 1010	55	323990-3	1	STOPPER PIN
17	596216-8	1	FIELD ASS'Y 115V (Incl. 2 ea. 654020-2 Ring Terminal & 654553-7 Connector 34137)	56	266180-4	1	SCREW M5x12
18	266046-8	2	TAPPING SCREW 5x50	57	417264-3	1	DIAL
19	417263-5	1	BAFFLE PLATE	58	961017-7	1	STOP RING E-3
20	210005-4	1	BALL BEARING 608DDW	59	344897-0	1	LEVER PLATE
21	681625-5	1	INSULATION WASHER	60	344906-5	1	LOCK PLATE
22	516826-5	1	ARMATURE ASS'Y 115V (Incl. Fig. 20,21,35 & 38)	61	911108-4	1	P.H. SCREW M4x8
23	931402-8	1	HEX. NUT M8	62	931402-8	1	HEX. NUT M8
24	343458-3	1	LOCK PLATE	63	912212-2	1	C.S.H. SCREW M5x12
25	911108-4	1	P.H. SCREW M4x8	64	266180-4	1	SCREW M5x12
26	344889-9	1	LEVER PLATE	65	266180-4	1	SCREW M5x12
27	421746-9	1	RUBBER CAP	66	344886-5	1	BASE
28	941201-0	1	FLAT WASHER 8	67	912107-9	2	C.S.H. SCREW M4x8
29	267113-2	1	FLAT WASHER 12	68	151943-0	1	DEPTH GUIDE cpl.
30	266249-4	1	C.S.N. BOLT M8x24	69	417262-7	1	HANDLE COVER
32	251247-1	1	P.H. SCREW M6x20	70	265995-6	2	TAPPING SCREW 4x18
33	262502-6	1	RUBBER SLEEVE 6	71	687052-4	1	STRAIN RELIEF
34	152628-1	1	BLADE CASE cpl., (Incl. 213459-4 O Ring 32)	72	664463-0	1	CORD (2x14x8 SJ)
35	211129-9	1	BALL BEARING 6201DDW	73	682564-2	1	CORD GUARD
36	233264-3	1	COMPRESSION SPRING 5	74	651162-3	1	SWITCH
37	344888-1	1	SHAFT LOCK	75	213621-1	1	O RING 46
38	240003-4	1	FAN 80	<u>ACCESSORIES</u>			
39	152629-9	1	MOTOR HOUSING cpl., (Incl. 2 ea. 643660-1 Brush	400	782016-4	1	OFFSET WRENCH 13
				401	A-90445	1	7-1/4" SAW BLADE 24T
				402	824592-3	1	PLASTIC CARRYING CASE
				403	191686-2	1	SAFETY GOGGLES

2 5007NH  
5007NHK

08-00

## Free Manuals Download Website

<http://myh66.com>

<http://usermanuals.us>

<http://www.somanuals.com>

<http://www.4manuals.cc>

<http://www.manual-lib.com>

<http://www.404manual.com>

<http://www.luxmanual.com>

<http://aubethermostatmanual.com>

Golf course search by state

<http://golfingnear.com>

Email search by domain

<http://emailbydomain.com>

Auto manuals search

<http://auto.somanuals.com>

TV manuals search

<http://tv.somanuals.com>