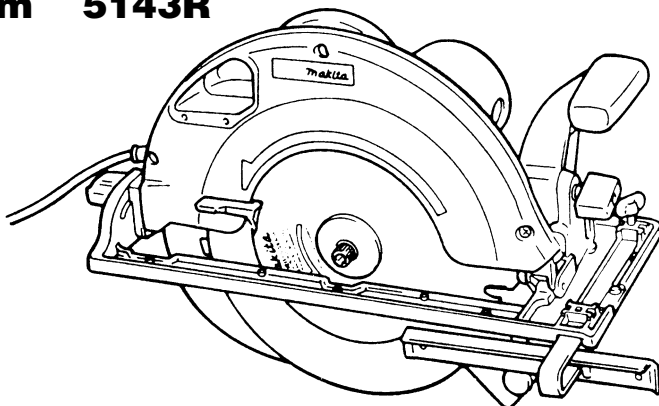
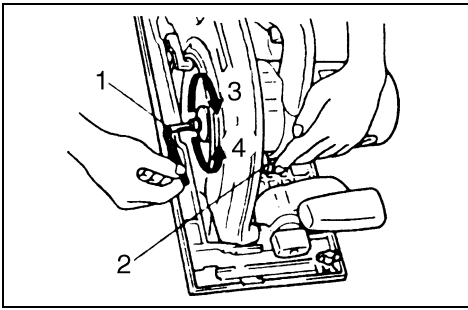




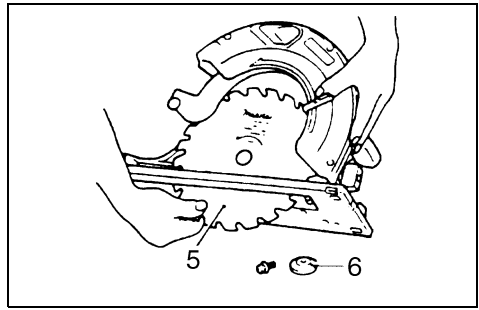
GB	Circular Saw	Instruction Manual
F	Scie circulaire	Manuel d'instructions
D	Handkreissäge	Betriebsanleitung
I	Sega circolare	Istruzioni per l'uso
NL	Cirkelzaagmachine	Gebruiksaanwijzing
E	Sierra circular	Manual de instrucciones
P	Serra circular	Manual de instruções
DK	Rundsav	Brugsanvisning
S	Cirkelsåg	Bruksanvisning
N	Sirkelsag	Bruksanvisning
FIN	Pyörösaht	Käyttöohje
GR	Δισκοπρίονο	Οδηγίες χρήσεως
TR	Dairesel biçki	El kitabı

165 mm 5603R
190 mm 5703R
235 mm 5903R
270 mm 5103R
355 mm 5143R

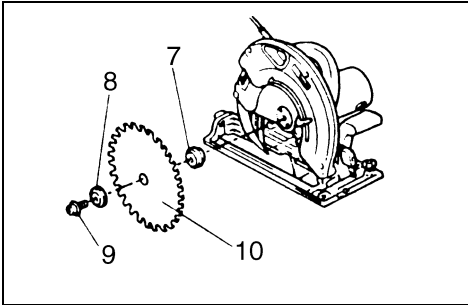




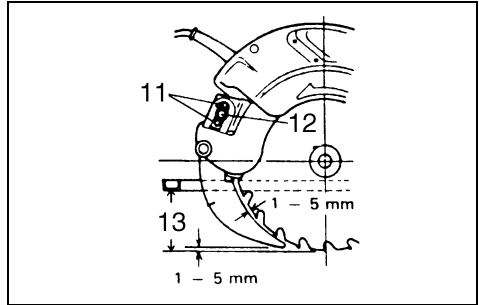
1



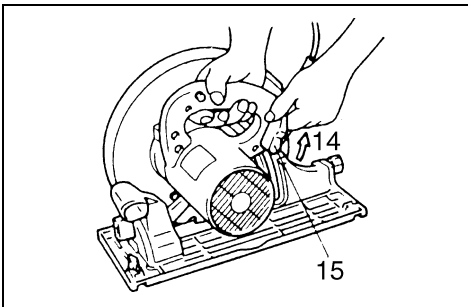
2



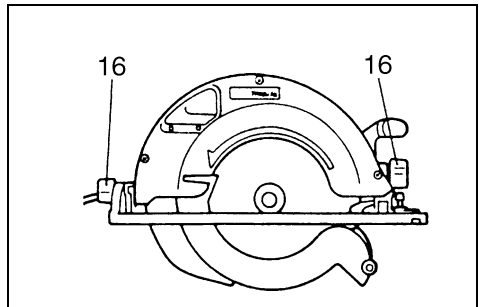
3



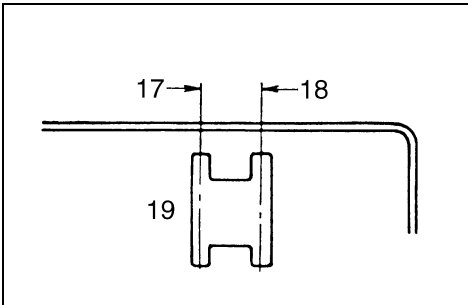
4



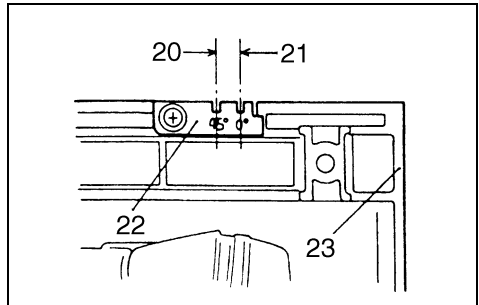
5



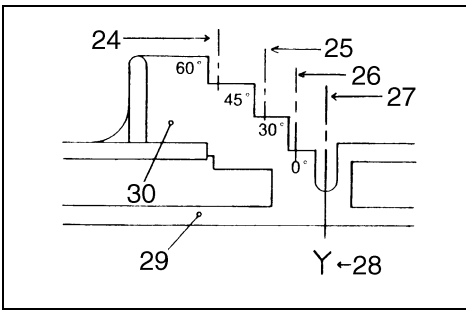
6



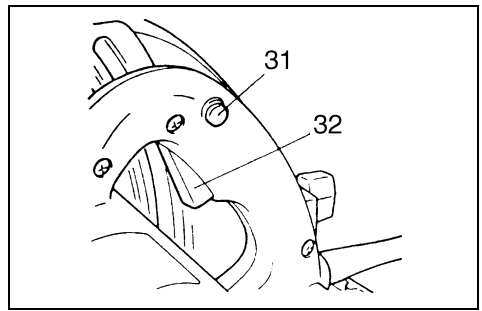
7



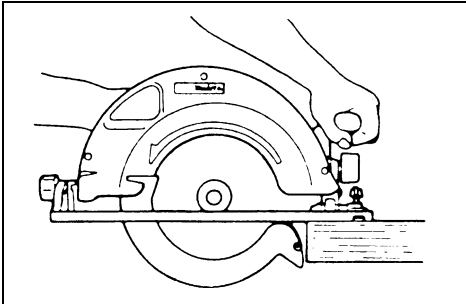
8



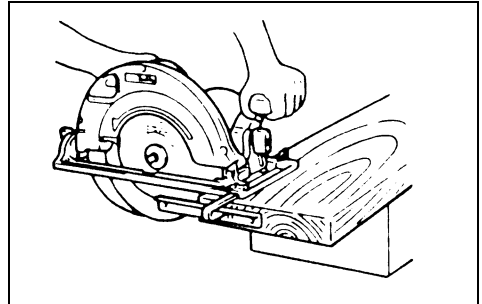
9



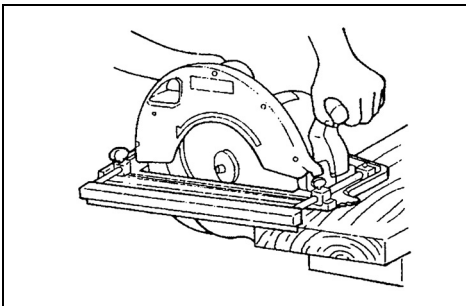
10



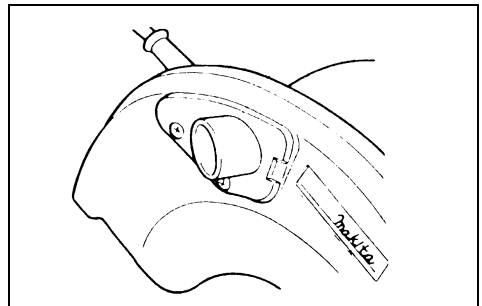
11



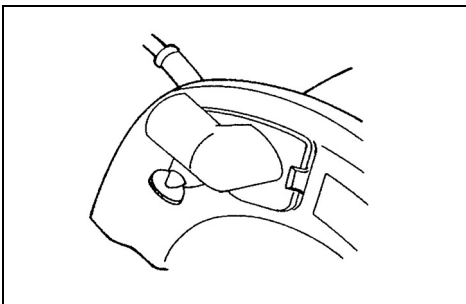
12



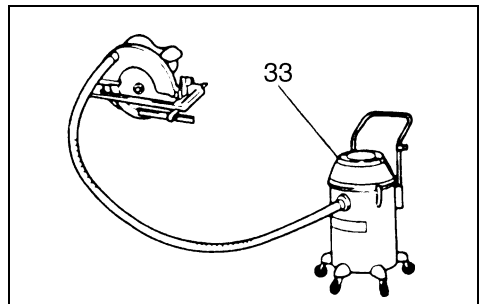
13



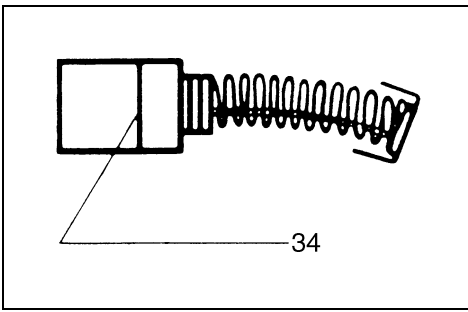
14



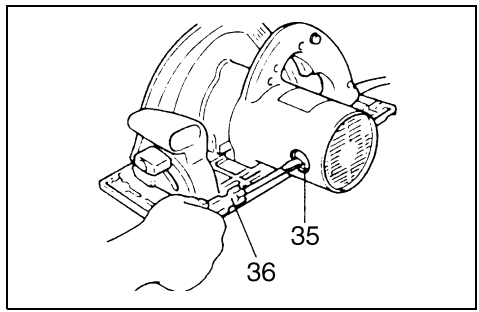
15



16



17



18

Explanation of general view

1 Hex wrench	13 Cutting depth	26 30° angle cuts
2 Shaft lock	14 Loosen	27 Straight cuts
3 Tighten	15 Lever	28 Blade
4 Loosen	16 Thumb nut	29 Base
5 Saw blade	17 For 45° bevel cuts	30 Top guide
6 Outer flange	18 For straight cuts	31 Lock-off button
7 Inner flange	19 Base plate	32 Switch trigger
8 Outer flange	20 45° angle cuts	33 Vacuum cleaner
9 Hex socket head bolt	21 Straight cuts	34 Limit mark
10 Saw blade	22 Top guide	35 Brush holder cap
11 Setting protuberances	23 Base	36 Screwdriver
12 Hex socket head bolt (For adjusting riving knife)	24 60° angle cuts	
	25 45° angle cuts	

SPECIFICATIONS

Model	5603R	5703R	5903R	5103R	5143R
Blade diameter	165 mm	190 mm	235 mm	270 mm	355 mm
Max. cutting depth					
At 90°	54 mm	66 mm	85 mm	100 mm	130 mm
At 45°	38 mm	46 mm	64 mm	73 mm	90 mm
No load speed (min ⁻¹)	5,000	4,800	4,500	3,800	2,700
Overall length	330 mm	356 mm	400 mm	442 mm	607 mm
Net weight	4.2 kg	5.2 kg	7.6 kg	9.4 kg	14.5 kg

- Due to our continuing program of research and development, the specifications herein are subject to change without notice.
- Note: Specifications may differ from country to country.

Power supply

The tool should be connected only to a power supply of the same voltage as indicated on the nameplate, and can only be operated on single-phase AC supply. They are double-insulated in accordance with European Standard and can, therefore, also be used from sockets without earth wire.

Safety hints

For your own safety, please refer to the enclosed Safety instructions.

SPECIFIC SAFETY RULES

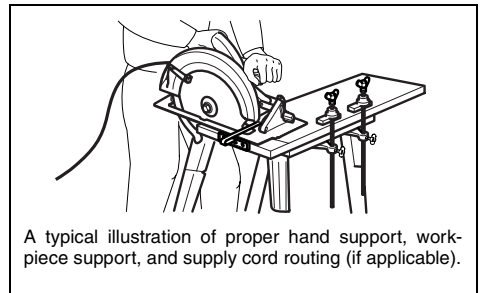
GEB029-1

DO NOT let comfort or familiarity with product (gained from repeated use) replace strict adherence to circular saw safety rules. If you use this tool unsafely or incorrectly, you can suffer serious personal injury.

Danger:

- 1. Keep hands away from cutting area and the blade. Keep your second hand on auxiliary handle, or motor housing.** If both hands are holding the saw, they cannot be cut by the blade.
- 2. Do not reach underneath the workpiece.** The guard cannot protect you from the blade below the workpiece. Do not attempt to remove cut material when blade is moving.
CAUTION: Blades coast after turn off. Wait until blade stops before grasping cut material.
- 3. Adjust the cutting depth to the thickness of the workpiece.** Less than a full tooth of the blade teeth should be visible below the workpiece.

- 4. Never hold piece being cut in your hands or across your leg. Secure the workpiece to stable platform.** It is important to support the work properly to minimize body exposure, blade binding, or loss of control. (Fig. A)



A typical illustration of proper hand support, workpiece support, and supply cord routing (if applicable).

Fig. A

- 5. Hold power tool by insulated gripping surfaces when performing an operation where the cutting tool may contact hidden wiring or its own cord.** Contact with a "live" wire will also make exposed metal parts of the power tool "live" and shock the operator.
- 6. When ripping always use a rip fence or straight edge guide.** This improves the accuracy cut and reduces the chance of blade binding.
- 7. Always use blades with correct size and shape (diamond versus round) of arbour holes.** Blades that do not match the mounting hardware of the saw will run eccentrically, causing loss of control.
- 8. Never use damaged or incorrect blade washers or bolt.** The blade washers and bolt were specially designed for your saw, for optimum performance and safety of operation.

9. Causes and Operator Prevention of Kickback:

- kickback is a sudden reaction to a pinched, bound or misaligned saw blade, causing an uncontrolled saw to lift up and out of the workpiece toward the operator;
- when the blade is pinched or bound tightly by the kerf closing down, the blade stalls and the motor reaction drives the unit rapidly back toward the operator;
- if the blade becomes twisted or misaligned in the cut, the teeth at the back edge of the blade can dig into the top surface of the wood causing the blade to climb out of the kerf and jump back toward the operator.

Kickback is the result of saw misuse and/or incorrect operating procedures or conditions and can be avoided by taking proper precautions as given below.

- **Maintain a firm grip with both hands on the saw and position your arms to resist kickback forces. Position your body to either side of the blade, but not in line with the blade.** Kickback could cause the saw to jump backwards, but kickback forces can be controlled by the operator, if proper precautions are taken.
- **When blade is binding, or when interrupting a cut for any reason, release the trigger and hold the saw motionless in the material until the blade comes to a complete stop. Never attempt to remove the saw from the work or pull the saw backward while the blade is in motion or kickback may occur.** Investigate and take corrective actions to eliminate the cause of blade binding.
- **When restarting a saw in the workpiece, centre the saw blade in the kerf and check that saw teeth are not engaged into the material.** If saw blade is binding, it may walk up or kickback from the workpiece as the saw is restarted.
- **Support large panels to minimise the risk of blade pinching and kickback.** Large panels tend to sag under their own weight. Supports must be placed under the panel on both sides, near the line of cut and near the edge of the panel.
- To minimize the risk of blade pinching and kickback. When cutting operation requires the resting of the saw on the workpiece, the saw should be rested on the larger portion and the smaller piece cut off. (Fig. B & C)

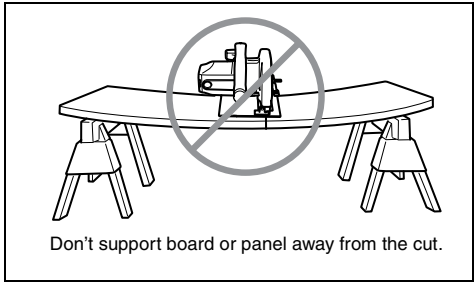


Fig. C

- **Do not use dull or damaged blades.** Unsharpened or improperly set blades produce narrow kerf causing excessive friction, blade binding and kickback. Keep blade sharp and clean. Gum and wood pitch hardened on blades slows saw and increases potential for kickback. Keep blade clean by first removing it from tool, then cleaning it with gum and pitch remover, hot water or kerosene. Never use gasoline.
- **Blade depth and bevel adjusting locking levers must be tight and secure before making cut.** If blade adjustment shifts while cutting, it may cause binding and kickback.
- **Use extra caution when making a "plunge cut" into existing walls or other blind areas.** The protruding blade may cut objects that can cause kickback. For plunge cuts, retract lower guard using retracting handle.
- **ALWAYS hold the tool firmly with both hands. NEVER place your hand or fingers behind the saw.** If kickback occurs, the saw could easily jump backwards over your hand, leading to serious personal injury. (Fig. D)

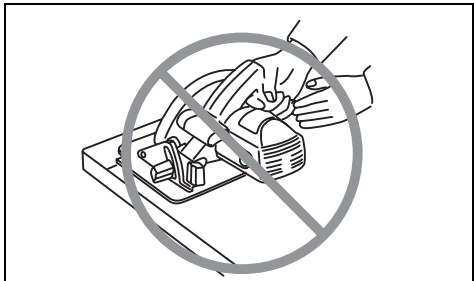


Fig. D

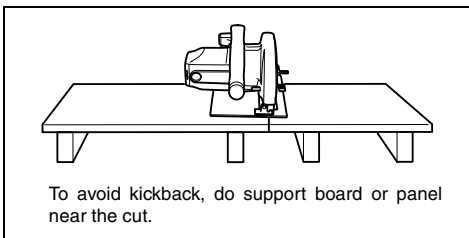


Fig. B

- **Never force the saw. Forcing the saw can cause uneven cuts, loss of accuracy, and possible kickback.** Push the saw forward at a speed so that the blade cuts without slowing.

10. **Check lower guard for proper closing before each use. Do not operate the saw if lower guard does not move freely and close instantly. Never clamp or tie the lower guard into the open position.** If saw is accidentally dropped, lower guard may be bent. Raise the lower guard with the retracting handle and make sure it moves freely and does not touch the blade or any other part, in all angles and depths of cut. To check lower guard, open lower guard by hand, then release and watch guard closure. Also check to see that retracting handle does not touch tool housing. Leaving blade exposed is VERY DANGEROUS and can lead to serious personal injury.
11. **Check the operation of the lower guard spring. If the guard and the spring are not operating properly, they must be serviced before use.** Lower guard may operate sluggishly due to damaged parts, gummy deposits, or a build-up of debris.
12. **Lower guard should be retracted manually only for special cuts such as "plunge cuts" and "compound cuts." Raise lower guard by retracting handle and as soon as blade enters the material, the lower guard must be released.** For all other sawing, the lower guard should operate automatically.
13. **Always observe that the lower guard is covering the blade before placing saw down on bench or floor.** An unprotected, coasting blade will cause the saw to walk backwards, cutting whatever is in its path. Be aware of the time it takes for the blade to stop after switch is released. Before setting the tool down after completing a cut, be sure that the lower guard has closed and the blade has come to a complete stop.
14. **Use the appropriate riving knife for the blade being used.** For the riving knife to work, it must be thicker than the body of the blade but thinner than the tooth set of the blade.
15. **Adjust the riving knife as described in this instruction manual.** Incorrect spacing, positioning and alignment can make the riving knife ineffective in preventing kickback.
16. **Always use the riving knife except when plunge cutting.** Riving knife must be replaced after plunge cutting. Riving knife causes interference during plunge cutting and can create kickback.
17. **For the riving knife to work, it must be engaged in the workpiece.** The riving knife is ineffective in preventing kickback during short cuts.
18. **Do not operate the saw if riving knife is bent.** Even a light interference can slow the closing rate of a guard.
19. **Use extra caution when cutting damp wood, pressure treated lumber, or wood containing knots.** Adjust speed of cut to maintain smooth advancement of tool without decrease in blade speed.
20. **Avoid Cutting Nails.** Inspect for and remove all nails from lumber before cutting.

21. **Place the wider portion of the saw base on that part of the workpiece which is solidly supported, not on the section that will fall off when the cut is made. As examples, Fig. E illustrates the RIGHT way to cut off the end of a board, and Fig. F the WRONG way. If the workpiece is short or small, clamp it down. DO NOT TRY TO HOLD SHORT PIECES BY HAND! (Fig. E & F)**

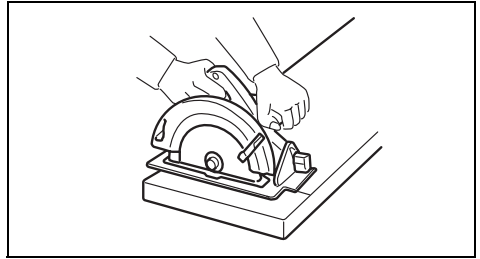


Fig. E



Fig. F

22. **Never attempt to saw with the circular saw held upside down in a vise. This is extremely dangerous and can lead to serious accidents. (Fig. G)**

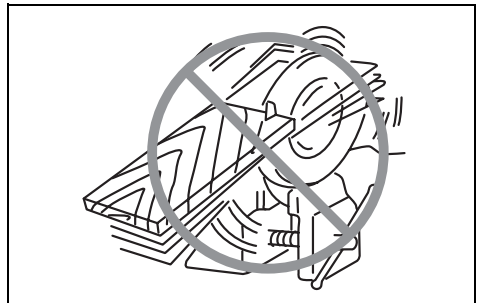


Fig. G

23. **Some material contains chemicals which may be toxic. Take caution to prevent dust inhalation and skin contact. Follow material supplier safety data.**
24. **Do not stop the blades by lateral pressure on the saw blade.**
25. **Always use blades recommended in this manual. Do not use any abrasive wheels.**

26. Wear a dust mask and hearing protection when use the tool.

SAVE THESE INSTRUCTIONS.

WARNING:

MISUSE or failure to follow the safety rules stated in this instruction manual may cause serious personal injury.

OPERATING INSTRUCTIONS

Removing or installing saw blade

The following blade can be used with this tool.

Model	Max. dia.	Min. dia.	Blade thickness	Kerf
5603R	165 mm	150 mm	Less than 1.7 mm	More than 1.9 mm
5703R	190 mm	170 mm	Less than 1.7 mm	More than 1.9 mm
5903R	235 mm	210 mm	Less than 1.9 mm	More than 2.1 mm
5103R	270 mm	260 mm	Less than 1.8 mm	More than 2.2 mm
5143R	355 mm	350 mm	Less than 2.3 mm	More than 2.7 mm

The thickness of the riving knife is 1.8 mm for Models 5603R and 5703R or 2.0 mm for Model 5903R and 5103R or 2.5 mm for Model 5143R.

CAUTION:

- Do not use saw blades which do not comply with the characteristics specified in these instructions.
- Do not use saw blades the disc of which is thicker or the set of which is smaller than the thickness of the riving knife.

To remove the saw blade, depress the shaft lock fully to prevent shaft rotation, then use the hex wrench to loosen the hex socket head bolt. **(Fig. 1)**

Now remove the outer flange, raise the safety cover as much as possible, and remove the saw blade. **(Fig. 2)**

Install the saw blade using the reverse of the removal procedure. Install the inner flange, saw blade, outer flange and hex socket head bolt, in that order. Be sure to secure the hex socket head bolt tightly with the shaft lock fully depressed. **(Fig. 1 & 3)**

CAUTION:

- Make sure that the blade teeth point forward in the same direction as the tool rotation (the arrow on the blade should point in the same direction as the arrow on the tool).
- Never depress the shaft lock while the saw is running.
- Use only the Makita socket wrench to remove or install the blade.

Riving knife adjustment (Fig. 4)

Use the socket wrench to loosen the hex head socket bolt for the riving knife adjustment, then raise the safety cover. Move the riving knife up or down over the two protrances for settings indicated in the illustration, so as to obtain the proper clearance between the riving knife and saw blade.

CAUTION:

Ensure that the riving knife is adjusted such that: The distance between the riving knife and the toothed rim of the saw blade is not more than 5 mm. The toothed rim does not extend more than 5 mm beyond the lower edge of the riving knife.

Adjusting depth of cut (Fig. 5)

Loosen the lever on the depth guide and move the base up or down. At a desired depth of cut, secure the base by tightening the lever.

CAUTION:

- Use a shallow depth of cut when cutting thin workpiece for cleaner, safer cuts.
- After adjusting the depth of cut, always tighten the lever securely.

Adjusting for bevel cuts (Fig. 6)

Loosen the thumb nuts in front and back, and tilt the tool to the desired angle for bevel cuts (0–45°). Secure the thumb nuts tightly in front and back after making the adjustment.

Sighting (5603R, 5703R) (Fig. 7)

For straight cuts, align the right notch on the front of the base with your cutting line on the workpiece. For 45° bevel cuts, align the left notch with it.

Top guide (5903R, 5103R) (Fig. 8)

Align your sight line with either the 0° notch for straight cutting or the 45° notch for 45° angle cuts.

Top guide (5143R) (Fig. 9)

Align your sight line with either the 0° notch for straight cutting or the 30° notch for 30° angle cuts or the 45° notch for 45° angle cuts or the 60° notch for 60° angle cuts.

Switch action (Fig. 10)

To prevent the switch trigger from being accidentally pulled, a lock-off button is provided. To start the tool, depress the lock-off button and pull the switch trigger. Release the switch trigger to stop.

CAUTION:

- Before plugging in the tool, always check to see that the switch trigger actuates properly and returns to the "OFF" position when released.

Operation (Fig. 11)

Hold the tool firmly. Set the base plate on the workpiece to be cut without the blade making any contact. Then turn the tool on and wait until the blade attains full speed. Now simply move the tool forward over the workpiece surface, keeping it flat and advancing smoothly until the sawing is completed. To get clean cuts, keep your sawing line straight and your speed of advance uniform.

CAUTION:

- The riving knife should always be used except when plunging in the middle of the workpiece.
- Do not stop the saw blade by lateral pressure on the disc.

Guide rule (Fig. 12 & 13)

The handy guide rule allows you to do extra-accurate straight cuts. Simply slide the guide rule up snugly against the side of the workpiece and secure it in position with the screw on the front of the base. It also makes repeated cuts of uniform width possible.

Joint assembly (Fig. 14, 15 & 16)

(for connecting a vacuum cleaner)

When you wish to perform clean cutting operation, connect a vacuum cleaner to your tool. Install the joint on the tool using the screw. Then connect a hose of vacuum cleaner to the joint.

MAINTENANCE**CAUTION:**

Always be sure that the tool is switched off and unplugged before carrying out any work on the tool.

To maintain product safety and reliability, repairs, maintenance or adjustment should be carried out by a Makita Authorized Service Center.

Verklaring van algemene gegevens

1 Inbussleutel	13 Zaagdiepte	26 30° schuine zaagsneden
2 Asvergrendeling	14 Losmaken	27 Rechte zaagsneden
3 Vastzetten	15 Hendel	28 Zaagblad
4 Losmaken	16 Vleugelmoer	29 Grondplaat
5 Zaagblad	17 Voor zagen in een hoek van 45°	30 Bovengeleider
6 Buitenste flens	18 Voor recht zagen	31 Vergrendelingsknop
7 Binnenste flens	19 Grondplaat	32 Trekkerschakelaar
8 Buitenste flens	20 45° schuine zaagsneden	33 Stofzuiger
9 Bout met zeskante kop	21 Rechte zaagsneden	34 Limietmarkering
10 Zaagblad	22 Bovengeleider	35 Kap van koolborstelhouder
11 Uitsteeksels voor afstelling	23 Grondplaat	36 Schroevendraaier
12 Bout met zeskante kop (Voor afstelling van spouwmes)	24 60° schuine zaagsneden	
	25 45° schuine zaagsneden	

TECHNISCHE GEGEVENS

Model	5603R	5703R	5903R	5103R	5143R
Bladdiameter	165 mm	190 mm	235 mm	270 mm	355 mm
Max. zaagdiepte					
Bij 90°	54 mm	66 mm	85 mm	100 mm	130 mm
Bij 45°	38 mm	46 mm	64 mm	73 mm	90 mm
Nullasttoerental (min ⁻¹)	5 000	4 800	4 500	3 800	2 700
Totale lengte	330 mm	356 mm	400 mm	442 mm	607 mm
Netto gewicht	4,2 kg	5,2 kg	7,6 kg	9,4 kg	14,5 kg

- In verband met ononderbroken research en ontwikkeling behouden wij ons het recht voor bovenstaande technische gegevens te wijzigen zonder voorafgaande kennisgeving.
- Opmerking: De technische gegevens kunnen van land tot land verschillen.

Stroomvoorziening

De machine mag alleen worden aangesloten op een stroombron van hetzelfde voltage als aangegeven op de naamplaat, en kan alleen op enkel-fase wisselstroom worden gebruikt. De machine is dubbel-geïsoleerd volgens de Europese standaard en kan derhalve ook op een niet-geaard stopcontact worden aangesloten.

Veiligheidswenken

Voor uw veiligheid dient u de bijgevoegde Veiligheidsvoorschriften nauwkeurig op te volgen.

AANVULLENDE

VEILIGHEIDSVOORSCHRIFTEN

Laat u **NIET** misleiden door een vals gevoel van comfort en bekendheid met het gereedschap (na veelvuldig gebruik) en neem alle veiligheidsvoorschriften van de cirkelzaag altijd strikt in acht. Bij onveilig of verkeerd gebruik van het elektrisch gereedschap, bestaat de kans op ernstig persoonlijk letsel.

Gevaar:

1. **Houd uw handen uit de buurt van het zaaggebied en het zaagblad. Houd met uw andere hand de voorhandgreep of de behuizing van het gereedschap vast.** Als u de cirkelzaag met beide handen vasthoudt, kunt u nooit in uw handen zagen.

2. **Reik nooit met uw handen onder het werkstuk.** De beschermkap kan u niet beschermen onder het werkstuk tegen het zaagblad. Probeer niet afgezaagd materiaal te verwijderen terwijl het zaagblad nog draait.
LET OP: Het zaagblad draait nog na nadat het gereedschap is uitgeschakeld. Wacht totdat het zaagblad volledig tot stilstand is gekomen voordat u het afgezaagde materiaal vastpakt.
3. **Stel de zaagdiepte in overeenkomstig de dikte van het werkstuk.** Minder dan een volledige tandhoogte dient onder het werkstuk uit te komen.
4. **Houd het werkstuk waarin wordt gezaagd nooit vast met uw handen of benen. Zorg dat het werkstuk stabiel is ten opzichte van de ondergrond.** Het is belangrijk het werkstuk goed te ondersteunen om de kans te minimaliseren dat uw lichaam eraan blootgesteld wordt, het zaagblad vastloopt of u de controle over het gereedschap verliest. (Fig. A)

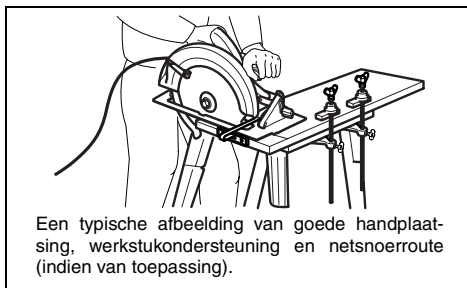


Fig. A

5. **Houd elektrisch gereedschap vast aan het geïsoleerde oppervlak van de handgrepen wanneer u werkt op plaatsen waar het zaaggereedschap met verborgen bedrading of zijn eigen snoer in aanraking kan komen.** Door contact met onder spanning staande draden, zullen ook de niet-geïsoleerde metalen delen van het elektrisch gereedschap onder spanning komen te staan zodat de gebruiker een elektrische schok kan krijgen.
6. **Gebruik bij het schulpen altijd de breedtegeleider of de langsgeleider.** Hierdoor wordt de nauwkeurigheid van het zagen vergroot en de kans op vastlopen van het zaagblad verkleint.
7. **Gebruik altijd zaagbladen met doorgraten van de juiste afmetingen en vorm (diamond of rond).** Zaagbladen die niet goed passen op de bevestigingsmiddelen van de cirkelzaag, zullen excentrisch draaien waardoor u de controle over het gereedschap verliest.
8. **Gebruik nooit een beschadigde of verkeerde bouten en ringen om het zaagblad mee te bevestigen.** De bouten en ringen voor de bevestiging van het zaagblad zijn speciaal ontworpen voor gebruik met uw cirkelzaag voor optimale prestaties en veilig gebruik.
9. **Oorzaken van terugslag en wat de gebruiker hieraan kan doen:**

- Terugslag is een plotselinge reactie op een bekneld, vastgelopen of niet-uitgelijnd zaagblad, waardoor de oncontroleerbare cirkelzaag omhoog, uit het werkstuk en in de richting van de gebruiker gaat.

- Wanneer het zaagblad bekneld raakt of vastloopt doordat de zaagsnede naar beneden toe smaller wordt, vertraagt het zaagblad en komt als reactie de motor snel omhoog in de richting van de gebruiker.

- Als het zaagblad gebogen of niet-uitgelijnd raakt in de zaagsnede, kunnen de tanden aan de achterrand van het zaagblad zich in het bovenoppervlak van het hout vreten, waardoor het zaagblad uit de zaagsnede klimt en omhoog springt in de richting van de gebruiker.

Terugslag is het gevolg van misgebruik van de cirkelzaag en/of onjuiste gebruiksprocedures of -omstandigheden, en kan worden voorkomen door goede voorzorgsmaatregelen te treffen, zoals hieronder vermeld:

- **Houd de cirkelzaag stevig vast met beide handen en houdt uw armen zodanig dat een terugslag wordt opgevangen. Plaats uw lichaam zijwaarts versprongen van het zaagblad en niet in een rechte lijn erachter.** Door terugslag kan de cirkelzaag achterwaarts springen, maar de kracht van de terugslag kan met de juiste voorzorgsmaatregelen door de gebruiker worden opgevangen.

- **Wanneer het zaagblad vastloopt, of wanneer u om een of andere reden het zagen onderbreekt, laat u de aan/uit-schakelaar los en houdt u de cirkelzaag stil in het materiaal totdat het zaagblad volledig tot stilstand is gekomen. Probeer nooit het zaagblad uit het werkstuk te halen of de cirkelzaag naar achteren te trekken, terwijl het zaagblad nog draait omdat hierdoor een terugslag kan optreden.** Onderzoek waarom het zaagblad is vastgelopen en tref afdoende maatregelen om de oorzaak ervan op te heffen.
- **Wanneer u de cirkelzaag weer inschakelt terwijl het zaagblad in het werkstuk zit, plaatst u het zaagblad in het midden van de zaagsnede en controleert u dat de tanden niet in het materiaal grijpen.** Als het zaagblad is vastgelopen, kan wanneer de cirkelzaag wordt ingeschakeld het zaagblad uit het werkstuk lopen of terugslaan.
- **Ondersteun grote platen om de kans te minimaliseren dat het zaagblad bekneld raakt of terugslaat.** Grote platen neigen door te zakken onder hun eigen gewicht. U moet de plaat ondersteunen aan beide zijranden, vlakbij de zaaglijn en vlakbij het uiteinde.
- De kans te minimaliseren dat het zaagblad vastloopt. Wanneer het noodzakelijk is om tijdens het zagen de cirkelzaag tot stilstand te brengen op het werkstuk, moet de cirkelzaag op het grootste deel rusten terwijl het kleinste deel wordt afgezaagd. **(Fig. B en C)**

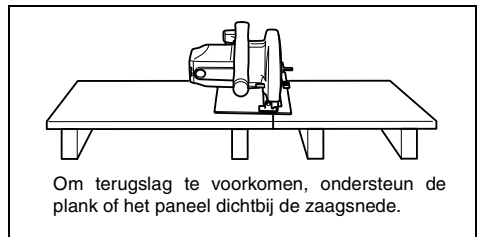


Fig. B

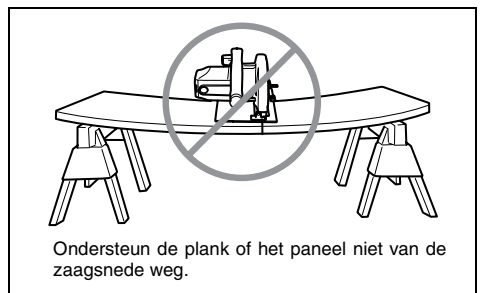


Fig. C

- **Gebruik een bot of beschadigd zaagblad niet meer.** Niet-geslepen of verkeerd gezette tanden maken een smalle zaagsnede wat leidt tot grote wrijving, vastlopen en terugslag. Houd het zaagblad scherp en schoon. Gom of hars dat op het zaagblad is opgedroogd vertraagt het zaagblad en verhoogt de kans op terugslag. Houd het zaagblad schoon door dit eerst van het gereedschap te demonteren en het vervolgens schoon te maken met een reinigingsmiddel voor gom en hars, heet water of kerosine. Gebruik nooit benzine.
- **De vergrendelhendels voor het instellen van de zaagbladdiepte en verstelhoek moeten vastzitten alvorens te beginnen met zagen.** Als de instellingen van het zaagblad zich tijdens het zagen wijzigen, kan dit leiden tot vastlopen of terugslag.
- **Wees extra voorzichtig wanneer u een “blinde” zaagsnede maakt in een bestaande wand of een andere plaats waarvan u de onderkant van het zaagoppervlak niet kunt zien.** Wanneer het zaagblad door het materiaal heen breekt, kan het een voorwerp raken waardoor een terugslag optreedt. Bij het maken van een “blinde” zaagsnede opent u de onderste beschermkap met behulp van de terugtrekhandel.
- **Houd het gereedschap ALTIJD met beide handen stevig vast. Plaats NOOIT uw hand of vingers achter het zaagblad.** Als een terugslag optreedt, kan het zaagblad gemakkelijk achteruit en over uw hand springen waardoor ernstig persoonlijk letsel ontstaat. (Fig. D)

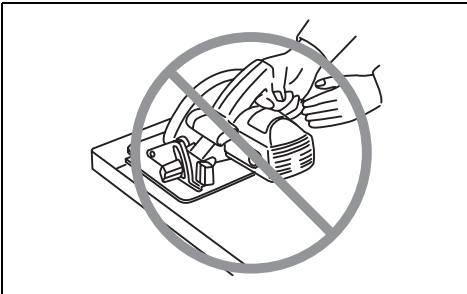


Fig. D

- **Dwing de cirkelzaag nooit. Als u het zaagblad dwingt, kan dat leiden tot een ongelijkmatige zaagsnede, verminderde nauwkeurigheid en mogelijke terugslag.** Duw de cirkelzaag vooruit met een snelheid waarbij het zaagblad niet vertraagt.

10. **Controleer voor ieder gebruik of de onderste beschermkap goed sluit. Gebruik de cirkelzaag niet als de onderste beschermkap niet vrij kan bewegen en onmiddellijk sluit. Zet de onderste beschermkap nooit vast in de geopende stand.** Als u de cirkelzaag per ongeluk laat vallen, kan de onderste beschermkap worden verbogen. Til de onderste beschermkap op aan de terugtrekhandel en controleer dat deze vrij kan bewegen en niet het zaagblad of enig ander onderdeel raakt, onder alle verstekhoeken en op alle zaagdiepten. U kunt de onderste beschermkap controleren, door deze met de hand te openen, los te laten en te kijken hoe hij sluit. Controleer tevens of de terugtrekhandel de behuizing van het gereedschap niet raakt. Het zaagblad onbeschermd laten is UITERST GEVAARLIJK en kan leiden tot ernstig persoonlijk letsel.
11. **Controleer de werking van de veer van de onderste beschermkap. Als de beschermkap en de veer niet goed werken, dienen deze te worden gerepareerd voordat de cirkelzaag wordt gebruikt.** De onderste beschermkap kan traag werken als gevolg van beschadigde onderdelen, gom- of hardafzetting, of opeenhoping van vuil.
12. **De onderste beschermkap mag alleen met de hand worden geopend voor het maken van speciale zaagsneden, zoals een “blinde” zaagsnede en “samengestelde” zaagsnede. Til de onderste beschermkap op aan de terugtrekhandel en laat deze los zodra het zaagblad in het materiaal zaagt.** Bij alle andere typen zaagsneden, dient de onderste beschermkap automatisch te werken.
13. **Let er altijd op dat de onderste beschermkap het zaagblad bedekt voordat u de cirkelzaag op een werkbak of vloer neerlegt.** Een onbeschermd zaagblad dat nog nadraait, zal de cirkelzaag achteruit doen lopen waarbij alles op zijn weg wordt gezaagd. Denk aan de tijd die het duurt nadat de cirkelzaag is uitgeschakeld voordat het zaagblad stilstaat. Voordat u het gereedschap neerlegt na het voltooien van een zaagsnede, controleert u dat de onderste beschermkap gesloten is en het zaagblad volledig tot stilstand is gekomen.
14. **Gebruik het geschikte spouwmes voor het zaagblad dat wordt gebruikt.** Om het spouwmes goed te laten werken, moet het dikker zijn dan het zaagbladlichaam, maar dunner zijn dan de breedte van de gezette zaagtanden.
15. **Stel het spouwmes in zoals beschreven in deze gebruiksaanwijzing.** Door een onjuiste afstand, positie of uitlijning, zal het spouwmes eventuele terugslag niet effectief kunnen voorkomen.
16. **Gebruik het spouwmes altijd, behalve bij het maken van een “blinde” zaagsnede.** Het spouwmes moet worden teruggeplaatst nadat de ‘blinde’ zaagsnede is gemaakt. Het spouwmes zit in de weg bij het maken van een “blinde” zaagsnede en kan terugslag veroorzaken.
17. **Voor een goede werking van het spouwmes, moet het in het werkstuk lopen.** Het spouwmes is niet effectief in het voorkomen van terugslag tijdens korte zaagsneden.
18. **Bedien de zaag niet als het spouwmes verbogen is.** Zelfs bij heel licht aanlopen kan de sluitsnelheid van een beschermkap worden verlaagd.

19. Wees extra voorzichtig bij het zagen in nat hout, druk-behandeld timmerhout en hout met knoesten. Pas de snelheid van het zagen aan zodat de cirkelzaag soepel vooruit blijft gaan zonder dat de snelheid van het zaagblad lager wordt.
20. Voorkom dat u in spijkers zaagt. Inspecteer het hout op spijkers en verwijder deze zonnodig voordat u begint te zagen.
21. Plaats het bredere deel van de zool van de cirkelzaag op het deel van het werkstuk dat goed is ondersteund, en niet op het deel dat omlaag valt nadat de zaagsnede gemaakt is. Als voorbeeld laat afbeelding E zien hoe u het uiteinde van een plank GOED afzaagt, en afbeelding F hoe u dit VERKEERD doet. Als het werkstuk kort of smal is, klemt u het vast. **PROBEER NOOIT EEN KORT WERKSTUK IN UW HANDEN VAST TE HOUDEN!** (Fig. E en F)

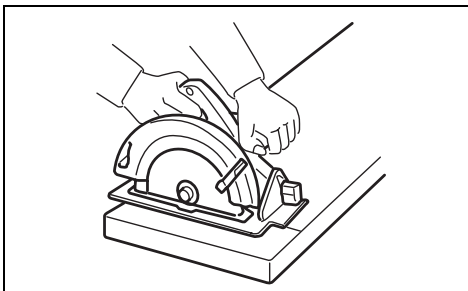


Fig. E

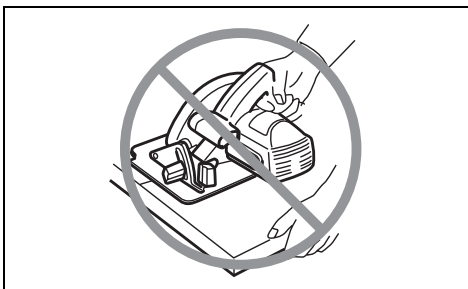


Fig. F

22. Probeer nooit te zagen waarbij de cirkelzaag ondersteboven in een bankschroef is geklemd. Dit is uiterst gevaarlijk en kan leiden tot ernstig persoonlijk letsel. (Fig. G)

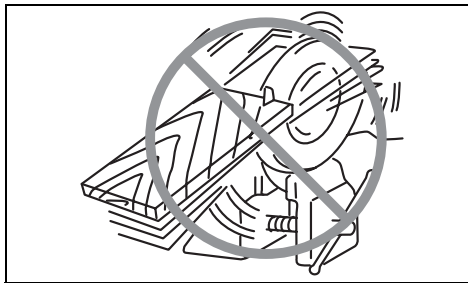


Fig. G

23. Sommige materialen bevatten chemische stoffen die giftig kunnen zijn. Neem voorzorgsmaatregelen tegen het inademen van stof en contact met de huid. Volg de veiligheidsinstructies van de leverancier van het materiaal op.
24. Breng het zaagblad niet tot stilstand door zijdelings op het zaagblad te drukken.
25. Gebruik altijd zaagbladen die in deze gebruiksaanwijzing aanbevolen worden. Gebruik geen slijpschijven.
26. Draag een stofmasker en gehoorbescherming tijdens gebruik van het gereedschap.

Bewaar deze voorschriften.

WAARSCHUWING:

VERKEERD GEBRUIK of het niet naleven van de veiligheidsvoorschriften in deze gebruiksaanwijzing kan leiden tot ernstige verwondingen.

BEDIENINGSVOORSCHRIFTEN

Verwijderen of installeren van het zaagblad

Het volgende blad kan met deze machine worden gebruikt.

Model	Max. diameter	Min. diameter	Bladdikte	Zaagsnede
5603R	165 mm	150 mm	minder dan 1,7 mm	meer dan 1,9 mm
5703R	190 mm	170 mm	minder dan 1,7 mm	meer dan 1,9 mm
5903R	235 mm	210 mm	minder dan 1,9 mm	meer dan 2,1 mm
5103R	270 mm	260 mm	minder dan 1,8 mm	meer dan 2,2 mm
5143R	355 mm	350 mm	minder dan 2,3 mm	meer dan 2,7 mm

De dikte van het spouwmes is 1,8 mm voor Modellen 5603R en 5703R, 2,0 mm voor Modellen 5903R en 5103R, en 2,5 mm voor Model 5143R.

LET OP:

- Gebruik geen zaagbladen die niet voldoen aan de specificaties in deze gebruiksaanwijzing.
- Gebruik geen zaagbladen waarvan de schijf dikker is of de zetting kleiner is dan de dikte van het spouwmes.

Om het zaagblad te verwijderen, druk de asvergrendeling volledig in om te voorkomen dat de as gaat draaien, en draai dan de bout met zeskante kop los met behulp van de inbussleutel. (Fig. 1)

Breng de veiligheidskap zo ver mogelijk omhoog om de buitenste flens te verwijderen en verwijder dan het zaagblad. (Fig. 2)

Installeer het zaagblad in de omgekeerde volgorde van verwijderen. Monteer achtereenvolgens de binnenste flens, het zaagblad, de buitenste flens en de bout met zeskante kop. Draai de bout met zeskante kop stevig vast terwijl u de asvergrendeling volledig ingedrukt houdt. (Fig. 1 en 3)

LET OP:

- Zorg ervoor dat de tanden van het zaagblad naar voren wijzen in dezelfde richting als de draairichting van de machine. (De pijl op het zaagblad moet in dezelfde richting wijzen als de pijl op de machine.)
- Druk de asvergrendeling nooit in terwijl de zaag draait.
- Gebruik alleen de Makita dopsleutel voor het verwijderen of installeren van het zaagblad.

Afstellen van het spouwmes (Fig. 4)

Gebruik de dopsleutel voor het losdraaien van de zeskante bout voor afstelling van het spouwmes en breng dan de veiligheidskap omhoog. Beweeg het spouwmes omhoog of omlaag over de twee uitsteeksels voor afstelling (zie de afbeelding), zodat de juiste afstand tussen het spouwmes en het zaagblad wordt verkregen.

LET OP:

Het spouwmes moet zodanig worden afgesteld dat: De afstand tussen het spouwmes en de getande rand van het zaagblad niet meer dan 5 mm bedraagt. De getande rand niet meer dan 5 mm onder de onderste rand van het spouwmes uitsteekt.

Afstellen van zaagdiepte (Fig. 5)

Zet de hendel op de dieptegeleider los en beweeg de grondplaat op of neer. Zet de grondplaat op de gewenste diepte vast door de hendel vast te zetten.

LET OP:

- Gebruik een geringe zaagdiepte voor het zagen van dunne werkstukken, om veiliger te zagen en schonere zaagsneden te krijgen.
- Na het afstellen van de zaagdiepte, dient u de hendel altijd stevig vast te zetten.

Afstelling voor verstekzagen (Fig. 6)

Draai de vleugelmoeren vooraan en achteraan los en zet dan de machine in de gewenste hoek voor verstekzagen (0 – 45°). Na afstelling, de vleugelmoeren vooraan en achteraan stevig vastdraaien.

Zaaghoek instellen (5603R, 5703R) (Fig. 7)

Voor rechte zaagsneden, laat de zaaglijn op het werkstuk samenvallen met de rechter inkeping op de voorkant van de grondplaat.

Voor 45° schuine zaagsneden, laat de zaaglijn op het werkstuk samenvallen met de linker inkeping.

Bovengeleider (5903R, 5103R) (Fig. 8)

Laat uw richtlijn samenvallen met de 0° inkeping voor rechte zaagsneden of de 45° inkeping voor 45° schuine zaagsneden.

Bovengeleider (5143R) (Fig. 9)

Laat uw richtlijn samenvallen met de 0° inkeping voor rechte zaagsneden, de 30° inkeping voor 30° schuine zaagsneden, de 45° inkeping voor 45° schuine zaagsneden, of de 60° inkeping voor 60° schuine zaagsneden.

Werking van de trekkerschakelaar (Fig. 10)

Een vergrendelingsknop is voorzien om te voorkomen dat de trekkerschakelaar per toeval wordt ingedrukt. Om de machine aan te zetten, de vergrendelingsknop indrukken en dan de trekkerschakelaar indrukken. Om de machine af te zetten, de trekkerschakelaar loslaten.

LET OP:

- Alvorens de stekker in een stopcontact te steken, altijd eerst controleren of de trekkerschakelaar juist werkt en terugkeert naar de "OFF" stand wanneer hij wordt losgelaten.

Bediening (Fig. 11)

Houd de machine stevig vast. Zet de grondplaat op het te zagen werkstuk zonder dat het zaagblad ermee in contact komt. Zet dan de machine aan en wacht tot het zaagblad op volle snelheid is gekomen. Beweeg nu gewoon de machine naar voren over het oppervlak van het werkstuk; houd hierbij de machine vlak en beweeg deze langzaam totdat het zagen is voltooid. Om schone zaagsneden te krijgen, dient u uw zaaglijn recht te houden en de machine met gelijkmatige snelheid naar voren te bewegen.

LET OP:

- Gebruik altijd het spouwmes, behalve voor zaagsneden die in het midden van het werkstuk beginnen.
- Stop het zaagblad niet door zijwaartse kracht op de schijf uit te oefenen.

Richtliniaal (Fig. 12 en 13)

Het handige richtliniaal stelt u in staat uiterst nauwkeurige rechte zaagsneden te krijgen. Schuif gewoon het richtliniaal omhoog tot vlak tegen de zijkant van het werkstuk en zet het vast met de schroef op de voorkant van de grondplaat. Met het richtliniaal kunt u ook herhaaldelijk zaagsneden van dezelfde breedte zagen.

Koppelstuk (Fig. 14, 15 en 16)

(voor het aansluiten van een stofzuiger)

Om schoon te werken, kunt u een stofzuiger op uw machine aansluiten. Monteer het koppelstuk op de machine met behulp van de schroef, en sluit dan de slang van een stofzuiger erop aan.

ONDERHOUD

LET OP:

Zorg er altijd voor dat de machine is uitgeschakeld en de stekker uit het stopcontact is verwijderd alvorens werken aan de machine uit te voeren.

Opdat het gereedschap veilig in betrouwbaar blijft, dienen alle reparaties, onderhoud of afstellingen te worden uitgevoerd in een erkend Makita service centrum.

ENGLISH**EC-DECLARATION OF CONFORMITY**

We declare under our sole responsibility that this product is in compliance with the following standards of standardized documents,

EN60745, EN55014, EN61000

in accordance with Council Directives, 89/336/EEC and 98/37/EC.

FRANÇAISE**DÉCLARATION DE CONFORMITÉ CE**

Nous déclarons sous notre entière responsabilité que ce produit est conforme aux normes des documents standardisés suivants,

EN60745, EN55014, EN61000

conformément aux Directives du Conseil, 89/336/CEE et 98/37/EG.

DEUTSCH**CE-KONFORMITÄTSERKLÄRUNG**

Hiermit erklärt wir unter unserer alleinigen Verantwortung, daß dieses Produkt gemäß den Ratsdirektiven 89/336/EWG und 98/37/EG mit den folgenden Normen von Normendokumenten übereinstimmen:

EN60745, EN55014, EN61000.

ITALIANO**DICHIARAZIONE DI CONFORMITÀ
CON LE NORME DELLA COMUNITÀ EUROPEA**

Dichiariamo sotto la nostra sola responsabilità che questo prodotto è conforme agli standard di documenti standardizzati seguenti:

EN60745, EN55014, EN61000

secondo le direttive del Consiglio 89/336/CEE e 98/37/CE.

NEDERLANDS**EG-VERKLARING VAN CONFORMITEIT**

Wij verklaren hierbij uitsluitend op eigen verantwoordelijkheid dat dit produkt voldoet aan de volgende normen van genormaliseerde documenten,

EN60745, EN55014, EN61000

in overeenstemming met de richtlijnen van de Raad 89/336/EEC en 98/37/EC.

ESPAÑOL**DECLARACIÓN DE CONFORMIDAD DE LA CE**

Declaramos bajo nuestra sola responsabilidad que este producto cumple con las siguientes normas de documentos normalizados,

EN60745, EN55014, EN61000

de acuerdo con las directivas comunitarias, 89/336/EEC y 98/37/CE.

Yasuhiko Kanzaki **CE 2005**



Director	Amministratore
Directeur	Directeur
Direktor	Director

MAKITA INTERNATIONAL EUROPE LTD.

Michigan Drive, Tongwell, Milton Keynes,
Bucks MK15 8JD, ENGLAND

Responsible manufacturer:	Produttore responsabile:
Fabricant responsable :	Verantwoordelijke fabrikant:
Verantwortlicher Hersteller:	Fabricante responsable:

Makita Corporation Anjo Aichi Japan

PORTUGUÊS**DECLARAÇÃO DE CONFORMIDADE DA CE**

Declaramos sob inteira responsabilidade que este produto obedece às seguintes normas de documentos normalizados,

EN60745, EN55014, EN61000

de acordo com as directivas 89/336/CEE e 98/37/CE do Conselho.

DANSK**EU-DEKLARATION OM KONFORMITET**

Vi erklærer hermed på eget ansvar, at dette produkt er i overensstemmelse med de følgende standarder i de norm-sættende dokumenter,

EN60745, EN55014, EN61000

i overensstemmelse med Rådets Direktiver 89/336/EEC og 98/37/EC.

SVENSKA**EG-DEKLARATION OM ÖVERENSSTÄMMELSE**

Under eget ansvar deklarerar vi härmed att denna produkt överensstämmer med följande standardiseringar för standardiserade dokument,

EN60745, EN55014, EN61000

i enlighet med EG-direktiven 89/336/EEC och 98/37/EC.

NORSK**EU's SAMSVARS-ERKLÆRING**

Vi erklærer på eget ansvar at dette produktet er i overensstemmelse med følgende standard i de standardiserte dokumenter:

EN60745, EN55014, EN61000,

i samsvar med Råds-direktivene, 89/336/EEC og 98/37/EC.

SUOMI**VAKUUTUS EC-VASTAAVUUDESTA**

Yksinomaisesti vastuullisina ilmoitamme, että tämä tuote on seuraavien standardoitujen dokumenttien standardien mukainen,

EN60745, EN55014, EN61000

neuvoston direktiivien 89/336/EEC ja 98/37/EC mukaisesti.

ΕΛΛΗΝΙΚΑ**ΔΗΛΩΣΗ ΣΥΜΜΟΡΦΩΣΗΣ ΕΚ**

Δηλώνουμε υπό την μοναδική μας ευθύνη ότι αυτό το προϊόν βρίσκεται σε Συμφωνία με τα ακόλουθα πρότυπα τυποποιημένων εγγράφων,

EN60745, EN55014, EN61000

σύμφωνα με τις Οδηγίες του Συμβουλίου, 89/336/EEC και 98/37/ΕΚ.

TÜRKÇE**AVRUPA KONSEYİ – UYGUNLUK BEYANI**

Bütün sorumluluğu üzerimize alarak, bu ürünün, Avrupa Konseyi Yönergeleri, 89/336/EEC ve 98/37/EC, uyarınca, aşağıdaki standartlaştırmış belgelerdeki standartlara uygunluğuna beyan ederiz:

EN60745, EN55014, EN61000.

Yasuhiko Kanzaki **CE 2005**



Director	Direktor
Direktör	Johtaja
Direktör	Διευθυντής
	Müdür

MAKITA INTERNATIONAL EUROPE LTD.

Michigan Drive, Tongwell, Milton Keynes,
Bucks MK15 8JD, ENGLAND

Fabricante responsável:	Ansvarlig produsent:
Ansvarlig fabrikant:	Vastaava valmistaja:
Ansvarig tillverkare:	Υπεύθυνος κατασκευαστής:
	Sorumlu imalatçı:

Makita Corporation Anjo Aichi Japan

ENGLISH**For European countries only****Noise and Vibration of Model 5603R**

The typical A-weighted noise levels are
 sound pressure level: 96 dB (A)
 sound power level: 107 dB (A)
 Uncertainty is 3 dB (A).

– Wear ear protection. –

The typical weighted root mean square acceleration value is not more than 2.5 m/s².

These values have been obtained according to EN60745.

FRANÇAISE**Pour les pays d'Europe uniquement****Bruit et vibrations du modèle 5603R**

Les niveaux de bruit ponderés types A sont:
 niveau de pression sonore: 96 dB (A)
 niveau de puissance du son: 107 dB (A)
 L'incertitude de mesure est de 3 dB (A).

– Porter des protecteurs anti-bruit. –

L'accélération pondérée ne dépasse pas 2,5 m/s².

Ces valeurs ont été obtenues selon EN60745.

DEUTSCH**Nur für europäische Länder****Geräusch- und Vibrationsentwicklung des Modells 5603R**

Die typischen A-bewerteten Geräuschpegel betragen:

Schalldruckpegel: 96 dB (A)
 Schalleistungspegel: 107 dB (A)
 Die Abweichung beträgt 3 dB (A).

– Gehörschutz tragen. –

Der gewichtete Effektivwert der Beschleunigung beträgt nicht mehr als 2,5 m/s².

Diese Werte wurden gemäß EN60745 erhalten.

ITALIANO**Modello per l'Europa soltanto****Rumore e vibrazione del modello 5603R**

I livelli del rumore pesati secondo la curva A sono:
 Livello pressione sonora: 96 dB (A)
 Livello potenza sonora: 107 dB (A)
 L'incertezza è di 3 dB (A).

– Indossare i paraorecchi. –

Il valore quadratico medio di accelerazione non supera i 2,5 m/s².

Questi valori sono stati ottenuti in conformità EN60745.

NEDERLANDS**Alleen voor Europese landen****Geluidsniveau en trilling van het model 5603R**

De typische A-gewogen geluidsniveau's zijn
 geluidsdruk-niveau: 96 dB (A)
 geluidsenergie-niveau: 107 dB (A)
 Onzekerheid is 3 dB (A).

– Draag oorbeschermers. –

De typische gewogen effectieve versnellingswaarde is niet meer dan 2,5 m/s².

Deze waarden werden verkregen in overeenstemming met EN60745.

ESPAÑOL**Para países europeos solamente****Ruido y vibración del modelo 5603R**

Los niveles típicos de ruido ponderados A son
 presión sonora: 96 dB (A)
 nivel de potencia sonora: 107 dB (A)
 Incerteza 3 dB (A).

– Póngase protectores en los oídos. –

El valor ponderado de la aceleración no sobrepasa los 2,5 m/s².

Estos valores han sido obtenidos de acuerdo con EN60745.

PORTUGUÊS**Só para países Europeus****Ruído e vibração do modelo 5603R**

Os níveis normais de ruído A são

nível de pressão de som: 96 dB (A)

nível do som: 107 dB (A)

A incerteza é de 3 dB (A).

– Utilize protetores para os ouvidos –

O valor médio da aceleração é inferior a 2,5 m/s².

Estes valores foram obtidos de acordo com EN60745.

DANSK**Kun for lande i Europa****Lyd og vibration fra model 5603R**

De typiske A-vægtede lydniveauer er

lydtryksniveau: 96 dB (A)

lydeffektniveau: 107 dB (A)

Der er en usikkerhed på 3 dB (A).

– Bær høreværn. –

Den vægtede effektive accelerationsværdi overstiger ikke 2,5 m/s².

Disse værdier er beregnet i overensstemmelse med EN60745.

SVENSKA**Endast för Europa****Buller och vibration hos modell 5603R**

De typiska A-vägda bullernivåerna är

ljudtrycksnivå: 96 dB (A)

ljudeffektnivå: 107 dB (A)

Osäkerheten är 3 dB (A).

– Använd hörselskydd –

Det typiskt vägda effektivvärdet för acceleration överstiger inte 2,5 m/s².

Dessa värden har erhållits i enlighet med EN60745.

NORSK**Gjelder bare land i Europa****Støy og vibrasjon fra modell 5603R**

De vanlige A-belastede støynivå er

lydtrykksnivå: 96 dB (A)

lydstyrkenivå: 107 dB (A)

Usikkerheten er på 3 dB (A).

– Benytt hørselvern. –

Den vanlig belastede effektive-verdi for akselerasjon over-skrider ikke 2,5 m/s².

Disse verdiene er beregnet eller målt i samsvar med EN60745.

SUOMI**Vain Euroopan maat****Mallin 5603R melutaso ja ääninä**

Tyypilliset A-painotetut melutasot ovat

äänenpainetaso: 96 dB (A)

äänen tehotasot: 107 dB (A)

Epävarmuus on 3 dB (A).

– Käytä kuulosuojaimia. –

Tyypillinen kihtyvyyden painotettu tehollisarvo ei ylitä 2,5 m/s².

Nämä arvot on mitattu normin EN60745 mukaisesti.

ΕΛΛΗΝΙΚΑ**Μόνο για χώρες της Ευρώπης****Θόρυβος και κραδασμός του μοντέλου 5603R**

Οι τυπικές Α-μετρούμενες εντάσεις ήχου είναι

πίεση ήχου: 96 dB (A)

δύναμη του ήχου: 107 dB (A)

Η Αβεβαιότητα είναι 3 dB (A).

– Φοράτε ωτοασπίδες. –

Η τυπική αξία της μετρούμενης ρίζας του μέσου τετραγώνου της επιτάχυνσης δεν ξεπερνά τα 2,5 m/s².

Αυτές οι τιμές έχουν σημειωθεί σύμφωνα με το EN60745.

TÜRKÇE**Sadece Avrupa ülkeleri için****5603R modelin gürültü ve titreşimi**

Tipik A-ağırlıklı gürültü seviyeleri şöyledir;

ses basınç seviyesi: 96 dB (A)

ses güç seviyesi: 107 dB (A)

Belirsizlik: 3 dB (A)

– Kulak koruyucusu takın. –

Tipik ağırlıklı karekök ortalama ivme 2,5 m/s²'den fazla değildir.

Bu değerler EN60745 standardına göre elde edilmiştir.

ENGLISH**For European countries only****Noise and Vibration of Model 5703R**

The typical A-weighted noise levels are
 sound pressure level: 93 dB (A)
 sound power level: 104 dB (A)
 Uncertainty is 3 dB (A).

– Wear ear protection. –

The typical weighted root mean square acceleration value is not more than 2.5 m/s².

These values have been obtained according to EN60745.

FRANÇAISE**Pour les pays d'Europe uniquement****Bruit et vibrations du modèle 5703R**

Les niveaux de bruit ponderés types A sont:
 niveau de pression sonore: 93 dB (A)
 niveau de puissance du son: 104 dB (A)
 L'incertitude de mesure est de 3 dB (A).

– Porter des protecteurs anti-bruit. –

L'accélération pondérée ne dépasse pas 2,5 m/s².

Ces valeurs ont été obtenues selon EN60745.

DEUTSCH**Nur für europäische Länder****Geräusch- und Vibrationsentwicklung des Modells 5703R**

Die typischen A-bewerteten Geräuschpegel betragen:

Schalldruckpegel: 93 dB (A)
 Schalleistungspegel: 104 dB (A)
 Die Abweichung beträgt 3 dB (A).

– Gehörschutz tragen. –

Der gewichtete Effektivwert der Beschleunigung beträgt nicht mehr als 2,5 m/s².

Diese Werte wurden gemäß EN60745 erhalten.

ITALIANO**Modello per l'Europa soltanto****Rumore e vibrazione del modello 5703R**

I livelli del rumore pesati secondo la curva A sono:
 Livello pressione sonora: 93 dB (A)
 Livello potenza sonora: 104 dB (A)
 L'incertezza è di 3 dB (A).

– Indossare i paraorecchi. –

Il valore quadratico medio di accelerazione non supera i 2,5 m/s².

Questi valori sono stati ottenuti in conformità EN60745.

NEDERLANDS**Alleen voor Europese landen****Geluidsniveau en trilling van het model 5703R**

De typische A-gewogen geluidsniveau's zijn
 geluidsdruk-niveau: 93 dB (A)
 geluidsenergie-niveau: 104 dB (A)
 Onzekerheid is 3 dB (A).

– Draag oorbeschermers. –

De typische gewogen effectieve versnellingswaarde is niet meer dan 2,5 m/s².

Deze waarden werden verkregen in overeenstemming met EN60745.

ESPAÑOL**Para países europeos solamente****Ruido y vibración del modelo 5703R**

Los niveles típicos de ruido ponderados A son
 presión sonora: 93 dB (A)
 nivel de potencia sonora: 104 dB (A)
 Incerteza 3 dB (A).

– Póngase protectores en los oídos. –

El valor ponderado de la aceleración no sobrepasa los 2,5 m/s².

Estos valores han sido obtenidos de acuerdo con EN60745.

PORTUGUÊS**Só para países Europeus****Ruído e vibração do modelo 5703R**

Os níveis normais de ruído A são

nível de pressão de som: 93 dB (A)

nível do som: 104 dB (A)

A incerteza é de 3 dB (A).

– Utilize protectores para os ouvidos –

O valor médio da aceleração é inferior a 2,5 m/s².

Estes valores foram obtidos de acordo com EN60745.

DANSK**Kun for lande i Europa****Lyd og vibration fra model 5703R**

De typiske A-vægtede lydniveauer er

lydtryksniveau: 93 dB (A)

lydeffektniveau: 104 dB (A)

Der er en usikkerhed på 3 dB (A).

– Bær høreværn. –

Den vægtede effektive accelerationsværdi overstiger ikke 2,5 m/s².

Disse værdier er beregnet i overensstemmelse med EN60745.

SVENSKA**Endast för Europa****Buller och vibration hos modell 5703R**

De typiska A-vägda bullernivåerna är

ljudtrycksnivå: 93 dB (A)

ljudeffektnivå: 104 dB (A)

Osäkerheten är 3 dB (A).

– Använd hörselskydd –

Det typiskt vägda effektivvärdet för acceleration överstiger inte 2,5 m/s².

Dessa värden har erhållits i enlighet med EN60745.

NORSK**Gjelder bare land i Europa****Støy og vibrasjon fra modell 5703R**

De vanlige A-belastede støynivå er

lydtrykksnivå: 93 dB (A)

lydstyrkenivå: 104 dB (A)

Usikkerheten er på 3 dB (A).

– Benytt hørselvern. –

Den vanlig belastede effektive-verdi for akselerasjon over-skrider ikke 2,5 m/s².

Disse verdiene er beregnet eller målt i samsvar med EN60745.

SUOMI**Vain Euroopan maat****Mallin 5703R melutaso ja ääninä**

Tyypilliset A-painotetut melutasot ovat

äänenpainetaso: 93 dB (A)

äänen tehotaso: 104 dB (A)

Epävarmuus on 3 dB (A).

– Käytä kuulosuojaimia. –

Tyypillinen kihtyvyyden painotettu tehollisarvo ei ylitä 2,5 m/s².

Nämä arvot on mitattu normin EN60745 mukaisesti.

ΕΛΛΗΝΙΚΑ**Μόνο για χώρες της Ευρώπης****Θόρυβος και κραδασμός του μοντέλου 5703R**

Οι τυπικές Α-μετρούμενες εντάσεις ήχου είναι

πίεση ήχου: 93 dB (A)

δύναμη του ήχου: 104 dB (A)

Η Αβεβαιότητα είναι 3 dB (A).

– Φοράτε ωτοασπίδες. –

Η τυπική αξία της μετρούμενης ρίζας του μέσου τετραγώνου της επιτάχυνσης δεν ξεπερνά τα

2,5 m/s².

Αυτές οι τιμές έχουν σημειωθεί σύμφωνα με το EN60745.

TÜRKÇE**Sadece Avrupa ülkeleri için****5703R modelin gürültü ve titreşimi**

Tipik A-ağırlıklı gürültü seviyeleri şöyledir;

ses basınç seviyesi: 93 dB (A)

ses güç seviyesi: 104 dB (A)

Belirsizlik: 3 dB (A)

– Kulak koruyucusu takın. –

Tipik ağırlıklı karekök ortalama ivme 2,5 m/s²'den fazla değildir.

Bu değerler EN60745 standardına göre elde edilmiştir.

ENGLISH**For European countries only****Noise and Vibration of Model 5903R**

The typical A-weighted noise levels are
 sound pressure level: 95 dB (A)
 sound power level: 106 dB (A)
 Uncertainty is 3 dB (A).

– Wear ear protection. –

The typical weighted root mean square acceleration value is not more than 2.5 m/s².

These values have been obtained according to EN60745.

FRANÇAISE**Pour les pays d'Europe uniquement****Bruit et vibrations du modèle 5903R**

Les niveaux de bruit ponderés types A sont:
 niveau de pression sonore: 95 dB (A)
 niveau de puissance du son: 106 dB (A)
 L'incertitude de mesure est de 3 dB (A).

– Porter des protecteurs anti-bruit. –

L'accélération pondérée ne dépasse pas 2,5 m/s².

Ces valeurs ont été obtenues selon EN60745.

DEUTSCH**Nur für europäische Länder****Geräusch- und Vibrationsentwicklung des Modells 5903R**

Die typischen A-bewerteten Geräuschpegel betragen:

Schalldruckpegel: 95 dB (A)

Schalleistungspegel: 106 dB (A)

Die Abweichung beträgt 3 dB (A).

– Gehörschutz tragen. –

Der gewichtete Effektivwert der Beschleunigung beträgt nicht mehr als 2,5 m/s².

Diese Werte wurden gemäß EN60745 erhalten.

ITALIANO**Modello per l'Europa soltanto****Rumore e vibrazione del modello 5903R**

I livelli del rumore pesati secondo la curva A sono:

Livello pressione sonora: 95 dB (A)

Livello potenza sonora: 106 dB (A)

L'incertezza è di 3 dB (A).

– Indossare i paraorecchi. –

Il valore quadratico medio di accelerazione non supera i 2,5 m/s².

Questi valori sono stati ottenuti in conformità EN60745.

NEDERLANDS**Aleen voor Europese landen****Geluidsniveau en trilling van het model 5903R**

De typische A-gewogen geluidsniveau's zijn

geluidsdruk-niveau: 95 dB (A)

geluidsenergie-niveau: 106 dB (A)

Onzekerheid is 3 dB (A).

– Draag oorbeschermers. –

De typische gewogen effectieve versnellingswaarde is niet meer dan 2,5 m/s².

Deze waarden werden verkregen in overeenstemming met EN60745.

ESPAÑOL**Para países europeos solamente****Ruido y vibración del modelo 5903R**

Los niveles típicos de ruido ponderados A son

presión sonora: 95 dB (A)

nivel de potencia sonora: 106 dB (A)

Incerteza 3 dB (A).

– Póngase protectores en los oídos. –

El valor ponderado de la aceleración no sobrepasa los 2,5 m/s².

Estos valores han sido obtenidos de acuerdo con EN60745.

PORTUGUÊS**Só para países Europeus****Ruído e vibração do modelo 5903R**

Os níveis normais de ruído A são

nível de pressão de som: 95 dB (A)

nível do som: 106 dB (A)

A incerteza é de 3 dB (A).

– Utilize protectores para os ouvidos –

O valor médio da aceleração é inferior a 2,5 m/s².

Estes valores foram obtidos de acordo com EN60745.

DANSK**Kun for lande i Europa****Lyd og vibration fra model 5903R**

De typiske A-vægtede lydniveauer er

lydtryksniveau: 95 dB (A)

lydeffektniveau: 106 dB (A)

Der er en usikkerhed på 3 dB (A).

– Bær høreværn. –

Den vægtede effektive accelerationsværdi overstiger ikke 2,5 m/s².

Disse værdier er beregnet i overensstemmelse med EN60745.

SVENSKA**Endast för Europa****Buller och vibration hos modell 5903R**

De typiska A-vägda bullernivåerna är

ljudtrycksnivå: 95 dB (A)

ljudeffektnivå: 106 dB (A)

Osäkerheten är 3 dB (A).

– Använd hörselskydd –

Det typiskt vägda effektivvärdet för acceleration överstiger inte 2,5 m/s².

Dessa värden har erhållits i enlighet med EN60745.

NORSK**Gjelder bare land i Europa****Støy og vibrasjon fra modell 5903R**

De vanlige A-belastede støynivå er

lydtrykksnivå: 95 dB (A)

lydstyrkenivå: 106 dB (A)

Usikkerheten er på 3 dB (A).

– Benytt hørselvern. –

Den vanlig belastede effektive-verdi for akselerasjon over-skrider ikke 2,5 m/s².

Disse verdiene er beregnet eller målt i samsvar med EN60745.

SUOMI**Vain Euroopan maat****Mallin 5903R melutaso ja ääninä**

Tyypilliset A-painotetut melutasot ovat

äänenpainetaso: 95 dB (A)

äänen tehotaso: 106 dB (A)

Epävarmuus on 3 dB (A).

– Käytä kuulosuojaimia. –

Tyypillinen kihtyvyyden painotettu tehollisarvo ei ylitä 2,5 m/s².

Nämä arvot on mitattu normin EN60745 mukaisesti.

ΕΛΛΗΝΙΚΑ**Μόνο για χώρες της Ευρώπης****Θόρυβος και κραδασμός του μοντέλου 5903R**

Οι τυπικές Α-μετρούμενες εντάσεις ήχου είναι

πίεση ήχου: 95 dB (A)

δύναμη του ήχου: 106 dB (A)

Η Αβεβαιότητα είναι 3 dB (A).

– Φοράτε ωτοασπίδες. –

Η τυπική αξία της μετρούμενης ρίζας του μέσου τετραγώνου της επιτάχυνσης δεν ξεπερνά τα 2,5 m/s².

Αυτές οι τιμές έχουν σημειωθεί σύμφωνα με το EN60745.

TÜRKÇE**Sadece Avrupa ülkeleri için****5903R modelin gürültü ve titreşimi**

Tipik A-ağırlıklı gürültü seviyeleri şöyledir;

ses basınç seviyesi: 95 dB (A)

ses güç seviyesi: 106 dB (A)

Belirsizlik: 3 dB (A)

– Kulak koruyucusu takın. –

Tipik ağırlıklı karekök ortalama ivme 2,5 m/s²'den fazla değildir.

Bu değerler EN60745 standardına göre elde edilmiştir.

ENGLISH**For European countries only****Noise and Vibration of Model 5103R/5143R**

The typical A-weighted noise levels are
 sound pressure level: 94 dB (A)
 sound power level: 105 dB (A)
 Uncertainty is 3 dB (A).

– Wear ear protection. –

The typical weighted root mean square acceleration value is not more than 2.5 m/s².

These values have been obtained according to EN60745.

FRANÇAISE**Pour les pays d'Europe uniquement****Bruit et vibrations du modèle 5103R/5143R**

Les niveaux de bruit pondérés types A sont:
 niveau de pression sonore: 94 dB (A)
 niveau de puissance du son: 105 dB (A)
 L'incertitude de mesure est de 3 dB (A).

– Porter des protecteurs anti-bruit. –

L'accélération pondérée ne dépasse pas 2,5 m/s².

Ces valeurs ont été obtenues selon EN60745.

DEUTSCH**Nur für europäische Länder****Geräusch- und Vibrationsentwicklung des Modells 5103R/5143R**

Die typischen A-bewerteten Geräuschpegel betragen:

Schalldruckpegel: 94 dB (A)
 Schalleistungspegel: 105 dB (A)
 Die Abweichung beträgt 3 dB (A).

– Gehörschutz tragen. –

Der gewichtete Effektivwert der Beschleunigung beträgt nicht mehr als 2,5 m/s².

Diese Werte wurden gemäß EN60745 erhalten.

ITALIANO**Modello per l'Europa soltanto****Rumore e vibrazione del modello 5103R/5143R**

I livelli del rumore pesati secondo la curva A sono:
 Livello pressione sonora: 94 dB (A)
 Livello potenza sonora: 105 dB (A)
 L'incertezza è di 3 dB (A).

– Indossare i paraorecchi. –

Il valore quadratico medio di accelerazione non supera i 2,5 m/s².

Questi valori sono stati ottenuti in conformità EN60745.

NEDERLANDS**Aleen voor Europese landen****Geluidsniveau en trilling van het model 5103R/5143R**

De typische A-gewogen geluidsniveau's zijn
 geluidsdrukniveau: 94 dB (A)
 geluidsenergie-niveau: 105 dB (A)
 Onzekerheid is 3 dB (A).

– Draag oorbeschermers. –

De typische gewogen effectieve versnellingswaarde is niet meer dan 2,5 m/s².

Deze waarden werden verkregen in overeenstemming met EN60745.

ESPAÑOL**Para países europeos solamente****Ruido y vibración del modelo 5103R/5143R**

Los niveles típicos de ruido ponderados A son
 presión sonora: 94 dB (A)
 nivel de potencia sonora: 105 dB (A)
 Incerteza 3 dB (A).

– Póngase protectores en los oídos. –

El valor ponderado de la aceleración no sobrepasa los 2,5 m/s².

Estos valores han sido obtenidos de acuerdo con EN60745.

PORTUGUÊS**Só para países Europeus****Ruído e vibração do modelo 5103R/5143R**

Os níveis normais de ruído A são

nível de pressão de som: 94 dB (A)

nível do som: 105 dB (A)

A incerteza é de 3 dB (A).

– Utilize protectores para os ouvidos –

O valor médio da aceleração é inferior a 2,5 m/s².

Estes valores foram obtidos de acordo com EN60745.

DANSK**Kun for lande i Europa****Lyd og vibration fra model 5103R/5143R**

De typiske A-vægtede lydniveauer er

lydtryksniveau: 94 dB (A)

lydeffektniveau: 105 dB (A)

Der er en usikkerhed på 3 dB (A).

– Bær høreværn. –

Den vægtede effektive accelerationsværdi overstiger ikke 2,5 m/s².

Disse værdier er beregnet i overensstemmelse med EN60745.

SVENSKA**Endast för Europa****Buller och vibration hos modell 5103R/5143R**

De typiska A-vägda bullernivåerna är

ljudtrycksnivå: 94 dB (A)

ljudeffektnivå: 105 dB (A)

Osäkerheten är 3 dB (A).

– Använd hörselskydd –

Det typiskt vägda effektivvärdet för acceleration överstiger inte 2,5 m/s².

Dessa värden har erhållits i enlighet med EN60745.

NORSK**Gjelder bare land i Europa****Støy og vibrasjon fra modell 5103R/5143R**

De vanlige A-belastede støynivå er

lydtrykksnivå: 94 dB (A)

lydstyrkenivå: 105 dB (A)

Usikkerheten er på 3 dB (A).

– Benytt hørselvern. –

Den vanlig belastede effektiv-verdi for akselerasjon over-skrider ikke 2,5 m/s².

Disse verdiene er beregnet eller målt i samsvar med EN60745.

SUOMI**Vain Euroopan maat****Mallin 5103R/5143R melutaso ja tärinä**

Tyypilliset A-painotetut melutasot ovat

äänenpainetaso: 94 dB (A)

äänen tehotaso: 105 dB (A)

Epävarmuus on 3 dB (A).

– Käytä kuulosuojaimia. –

Tyypillinen kihtyvyyden painotettu tehollisarvo ei ylitä 2,5 m/s².

Nämä arvot on mitattu normin EN60745 mukaisesti.

ΕΛΛΗΝΙΚΑ**Μόνο για χώρες της Ευρώπης****Θόρυβος και κραδασμός του μοντέλου 5103R/5143R**

Οι τυπικές Α-μετρούμενες εντάσεις ήχου είναι

πίεση ήχου: 94 dB (A)

δύναμη του ήχου: 105 dB (A)

Η Αβεβαιότητα είναι 3 dB (A).

– Φοράτε ωτοασπίδες. –

Η τυπική αξία της μετρούμενης ρίζας του μέσου τετραγώνου της επιτάχυνσης δεν ξεπερνά τα 2,5 m/s².

Αυτές οι τιμές έχουν σημειωθεί σύμφωνα με το EN60745.

TÜRKÇE**Sadece Avrupa ülkeleri için****5103R/5143R modelin gürültü ve titreşimi**

Tipik A-ağırlıklı gürültü seviyeleri şöyledir;

ses basınç seviyesi: 94 dB (A)

ses güç seviyesi: 105 dB (A)

Belirsizlik: 3 dB (A)

– Kulak koruyucusu takın. –

Tipik ağırlıklı karekök ortalama ivme 2,5 m/s²'den fazla değildir.

Bu değerler EN60745 standardına göre elde edilmiştir.

Makita Corporation
Anjo, Aichi, Japan

883869F992

Download from Www.Somanuals.com. All Manuals Search And Download.

Free Manuals Download Website

<http://myh66.com>

<http://usermanuals.us>

<http://www.somanuals.com>

<http://www.4manuals.cc>

<http://www.manual-lib.com>

<http://www.404manual.com>

<http://www.luxmanual.com>

<http://aubethermostatmanual.com>

Golf course search by state

<http://golfingnear.com>

Email search by domain

<http://emailbydomain.com>

Auto manuals search

<http://auto.somanuals.com>

TV manuals search

<http://tv.somanuals.com>