

# Makita®

# 10-1/4" CIRCULAR SAW

**LARGE CUTTING CAPACITIES (3-3/4" at 90°) FOR CUTTING 4X MATERIAL IN A SINGLE PASS**

**14 AMP Motor Delivers Enough Power to Cut Beams and Timber**

**Well Balanced and Weighs only 18.3 lbs. for Better Control**

**Electric Brake for Maximum Productivity**

**Ideal for Framers, Roofers and Carpenters for Cutting Timber and Beams and Dimensional, Engineered and Wet Lumber**



Makita

**Model  
5104**

## ACCURACY



Adjustable top guide to align notches with line of cut for accurate cutting

## CONVENIENCE



Flat motor housing design for increased convenience when changing the blade

## EFFICIENCY



Large, conveniently located adjustment knobs and levers increase productivity

## PERFORMANCE



Large ejection port efficiently discards saw dust

# CUTS 4X MATERIAL

# 10-1/4" CIRCULAR SAW

## Model 5104

### FEATURES & BENEFITS

- 14 AMP motor delivers enough power to cut beams and timber
- Large cutting and bevel capacity (3-3/4" at 90° and 2-3/4" at 45°)
- Electric brake for maximum productivity
- Precision gearing with ball and needle bearing construction for smooth and efficient power transmission
- Well balanced and weighs only 18.3 lbs. for better control
- Blade wrench is attached to the saw for fast and convenient blade changing
- Front, top and rear handles are positioned to fit hands comfortably for better control

### STANDARD EQUIPMENT

- Carbide tipped blade (A-94910)
- Blade wrench (783204-6)
- Rip fence (165499-7)

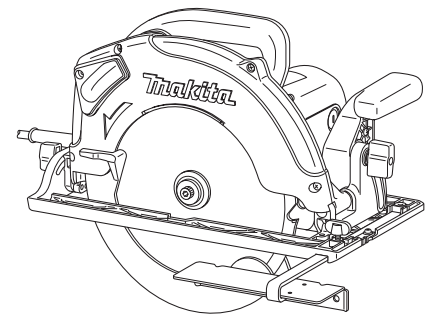
### SPECIFICATIONS

Blade Diameter	10-1/4"
Arbor	5/8"
Max. Cutting Capacity at 90°	3-3/4"
Max. Cutting Capacity at 45°	2-3/4"
No Load RPM	3,800
Watts Out	2,100
AMPS (120V)	14.0
Length	16"
Net Weight	18.3 lbs.
Shipping Weight	26.5 lbs.
UPC Code	088381-08882-4

### OPTIONAL ACCESSORIES

- Blade wrench (783204-6)
- Rip fence (164095-8)
- 10-1/4" C.T. saw blades

Description	No. Teeth	Part #
Framing	24	A-94910
Fine Crosscutting	64	721424-4



Model 5104



Makita offers a variety of accessories for Circular Saws. For a complete listing, please refer to the Makita General Catalog, or visit our website at [makitatools.com](http://makitatools.com), or call 1-800-4MAKITA.

All specifications subject to change without prior notice. All models and accessories subject to stock on hand.

NTF-0308 3M MA-0187-08 For more information, call 1-800-4MAKITA or visit [makitatools.com](http://makitatools.com)

Download from [www.Somanuals.com](http://www.Somanuals.com). All Manuals Search And Download.



Makita U.S.A., 14930 Northam St., La Mirada, CA 90638

## Free Manuals Download Website

<http://myh66.com>

<http://usermanuals.us>

<http://www.somanuals.com>

<http://www.4manuals.cc>

<http://www.manual-lib.com>

<http://www.404manual.com>

<http://www.luxmanual.com>

<http://aubethermostatmanual.com>

Golf course search by state

<http://golfingnear.com>

Email search by domain

<http://emailbydomain.com>

Auto manuals search

<http://auto.somanuals.com>

TV manuals search

<http://tv.somanuals.com>