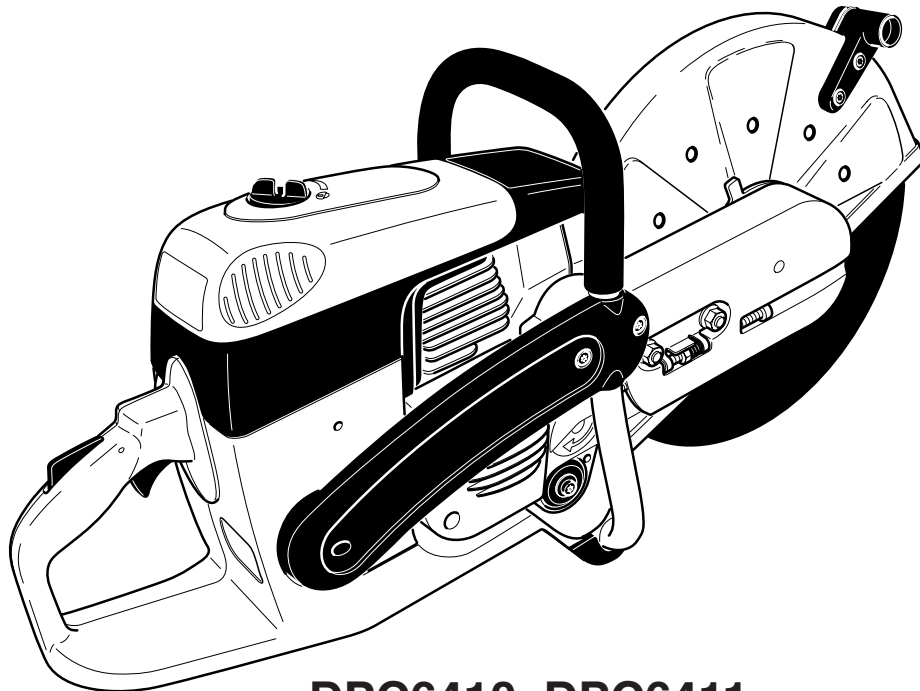




Instruction and Safety Manual
for Gasoline Power Cuts (page 2 - 33)

Manuel d'instructions et de sécurité
de découpeuse thermiques (page 34 - 65)



DPC6410, DPC6411
DPC7310, DPC7311
DPC7320, DPC7321
DPC8111, DPC8112

WARNING!

Read and understand this Manual. Always follow safety precautions in the Instruction and Safety Manual. Improper use can cause serious injury!
The engine exhaust from this product contains chemicals known to the State of California to cause cancer, birth defects or other reproductive harm. Preserve this Manual carefully!

ATTENTION!

Suivez toujours les conseils de sécurité du présent manuel d'instructions et de sécurité.
Une utilisation incorrecte de la découpeuse peut entraîner des blessures graves!
Conservez avec soin ce manuel! Les gaz d'échappement émis par ce produit contiennent des produits chimiques connus par l'Etat de Californie pour provoquer le cancer, des défauts de naissance ou autres dommages de reproduction. Lisez et comprenez ce manuel.

EMISSIONS COMPONENT DEFECT WARRANTY COVERAGE

MAKITA U.S.A, Inc warrant to the initial retail purchaser and each subsequent owner, that this utility equipment was designed, built, and equipped to conform at the time of initial sale to all applicable regulations of the U.S.

Environmental Protection Agency (EPA), and that the engine is free of defects in materials and workmanship which would cause this engine to fail to conform with EPA regulations during its warranty period.

For the components listed under PARTS COVERED, the service dealer authorized by MAKITA will, at no cost to you, make the necessary diagnosis, repair, or replacement necessary to ensure that the engine complies with applicable U.S. EPA regulations.

EMISSION COMPONENT DEFECT WARRANTY PERIOD

The warranty period for this engine begins on the date of sale to the initial purchaser and continues for a period of 2 years.

PARTS COVERED

Listed below are the parts covered by the Emission Components Defect Warranty. Some of the parts listed below may require scheduled maintenance and are warranted up to the first scheduled replacement point for that part.

Fuel Metering System

Carburetor and internal parts
Fuel filter, if applicable
Throttle stopper, if applicable
Choke System, if applicable

Ignition System

Spark plugs
Flywheel Magneto
Ignition Coil

Air Induction System

Air cleaner plate, Air filter
Air cleaner case, Intake manifold

Miscellaneous Items Used in Above Systems

Fuel hoses, clamps and sealing gaskets

OBTAINING WARRANTY SERVICE

To obtain warranty service, take your engine to the nearest MAKITA Factory Service Center or service Center authorized by MAKITA. Bring your sales receipts indicating date of purchase for this engine. The dealer of service authorized by MAKITA will perform the necessary repairs or adjustments within a reasonable amount of time and furnish you with a copy of the repair order. All parts and accessories replaced under this warranty become the property of MAKITA.

WHAT IS NOT COVERED

- Conditions resulting from tampering, misuse, improper adjustment (unless they were made by the service dealer authorized by MAKITA during a warranty repair), alteration, accident, failure to use the recommended fuel and oil, or not performing required maintenance services.
- The replacement parts used for required maintenance services.
- Consequential damages such as loss of time, inconvenience, loss of use of the engine or equipment, etc.
- Diagnosis and inspection charges that do not result in warranty-eligible service being performed.
- Any non-authorized replacement part, or malfunction of authorized parts due to use of non-authorized parts.

OWNER'S WARRANTY RESPONSIBILITIES

As the engine owner, you are responsible for the performance of the required maintenance listed in your owner's manual. MAKITA recommends that you retain all receipts covering maintenance on your engine, but MAKITA cannot deny warranty solely for the lack of receipts or for your failure to ensure the performance of all scheduled maintenance. As the engine owner, you should however be aware that MAKITA may deny warranty coverage if your engine or a part has failed due to abuse, neglect, improper maintenance or unapproved modifications.

You are responsible for presenting your engine to the nearest service dealer authorized by MAKITA when a problem exists.

If you have any questions regarding your warranty rights and responsibilities, you should contact the MAKITA Warranty service Department at 1-800-4 MAKITA (462-5482) for the information.

THINGS YOU SHOULD KNOW ABOUT THE EMISSION CONTROL SYSTEM WARRANTY:

MAINTENANCE AND REPAIRS

You are responsible for the proper maintenance of the engine. You should keep all receipts and maintenance records covering the performance of regular maintenance in the event questions arise. These receipts and maintenance records should be transferred to each subsequent owner of the engine. MAKITA reserves the right to deny warranty coverage if the engine has not been properly maintained. Warranty claims will not be denied, however, solely because of the lack of required maintenance or failure to keep maintenance records.

MAINTENANCE, REPLACEMENT OR REPAIR OF EMISSION CONTROL DEVICES AND SYSTEMS MAY BE PERFORMED BY ANY REPAIR ESTABLISHMENT OR INDIVIDUAL; HOWEVER, WARRANTY REPAIRS MUST BE PERFORMED BY A SERVICE DEALER AUTHORIZED BY MAKITA. THE USE OF PARTS THAT ARE NOT EQUIVALENT IN PERFORMANCE AND DURABILITY TO AUTHORIZED PARTS MAY IMPAIR THE EFFECTIVENESS OF THE EMISSION CONTROL SYSTEM AND MAY HAVE A BEARING ON THE OUTCOME OF A WARRANTY CLAIM.

If other than the parts authorized by MAKITA are used for maintenance replacements or for the repair of components affecting emission control, you should assure yourself that such parts are warranted by their manufacturer to be equivalent to the parts authorized by MAKITA in their performance and durability.

HOW TO MAKE A CLAIM

All repair qualifying under this limited warranty must be performed by a service dealer authorized by MAKITA. In the event that any emission-related part is found to be defective during the warranty period, you shall notify MAKITA Warranty service Department at 1-800-4 MAKITA (462-5482) and you will be advised of the appropriate warranty service dealer or service providers where the warranty repair can be performed.

Thank you for purchasing a MAKITA product!

Congratulations on choosing a MAKITA Power Cut cutoff saw! We are confident that you will be satisfied with this modern piece of equipment. Like our chain saws, the MAKITA Power Cuts feature specially designed high-performance engines with outstanding power-to-weight ratios, for heavy-duty yet lightweight tools.

Other advantages of the MAKITA Power Cuts:

- Sturdy construction and high reliability.
- Maintenance-free electronic ignition, hermetically sealed to protect against dust and moisture.
- Vibration damping with the MAKITA 2-mass system (D2M) for tireless working even when guiding the Power Cut by hand.
- Five-stage air-filter system for reliable working even under very dusty conditions.
- Two options for mounting the cutter attachment: Either centrally, for good balance when guiding the unit manually, or on the side, for flush cuts along walls or curbsides or horizontally directly above the ground.
- Extensive range of resin-bonded and diamond grit cutting discs, trolley with dust catcher, and systems for supplying water to the disc.

The following industrial property rights apply:

US 08510690, SE 95027298, SE 95027306, IT 95000653, IT 95000654, GBM 9412558, GBM 9412559.

We want you to be satisfied with your MAKITA product.

In order to guarantee the optimal function and performance of your Power Cut and to ensure your personal safety we would request you to perform the following:

Read this Instruction and Safety Manual carefully before putting the Power Cut into operation for the first time, and strictly observe the safety regulations! Failure to observe these precautions can lead to severe injury or death!



WARNING!

Some dust created by power sanding, grinding, drilling, and other construction activities contains chemicals known (to the State of California) to cause cancer, birth defects or other reproductive harm.

Some examples of these chemicals are:

- lead from lead-based paints,
- crystalline silica from bricks and cement and other masonry products, and
- arsenic and chromium from chemically-treated lumber.

Your risk from these exposures varies, depending on how often you do this type of work.

To reduce your exposure to these chemicals: work in a well ventilated area, and work with approved safety equipment, such as those dust masks that are specially designed to filter out microscopic particles.

Only for DPC7310, 7311, 7320, 7321: The Emissions Compliance Period referred to on the emission Compliance label indicates the number of operating hours for which the engine has been shown to meet federal emissions requirements. Category C= 50 hours, B= 125 hours, and A= 300 hours.

Table of contents

Page

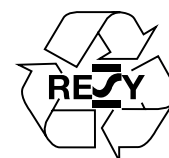
Packing	3
Delivery inventory	4
Symbols	4
SAFETY PRECAUTIONS	
Intended use	5
General precautions	5
Protective equipment	5-6
Fuels / Refuelling	6
Putting into operation	6
Cutting discs	7
Kickback and lock-in	8
Working behavior / Method of working	8
Always observe the following when using synthetic resin cutting discs	9
Cutting metal	9
Cutting masonry and concrete	9-10
Transport and storage	10
Maintenance	11
First aid	11
Disposal and environmental protection	11
Technical data	12
Denomination of components	13
PUTTING INTO OPERATION	
Mounting the cutting disc	14
Tightening the V-belt / Checking V-belt tension	15
Installing the pressure water system	15-16
Fuels / Refuelling	16-17
Starting the engine	18
Cold-starting	18
Warm-starting	19
Stop engine	19
Adjusting the carburetor	20
MAINTENANCE	
Changing the V-belt	21
Cleaning the protection hood	22
Cleaning / changing the air filter	22-23
Replacing the spark plug	24
Replacing the suction head	24
Replacing the starter cable	25
Replacing the return spring	26
Instructions for periodic maintenance	30
Cutting attachment in central / side position	27
Repositioning the cutting attachment	27-28
Replacing/cleaning the spark arrester screen	28
SPECIAL ACCESSORIES	
Diamond cutting discs, trolley, water tank and pressure water system	29
Service, spare parts and guarantee	30-31
Troubleshooting	31
Extract from spare parts list	32-33
Accessories	33

Service stations (see enclosure)

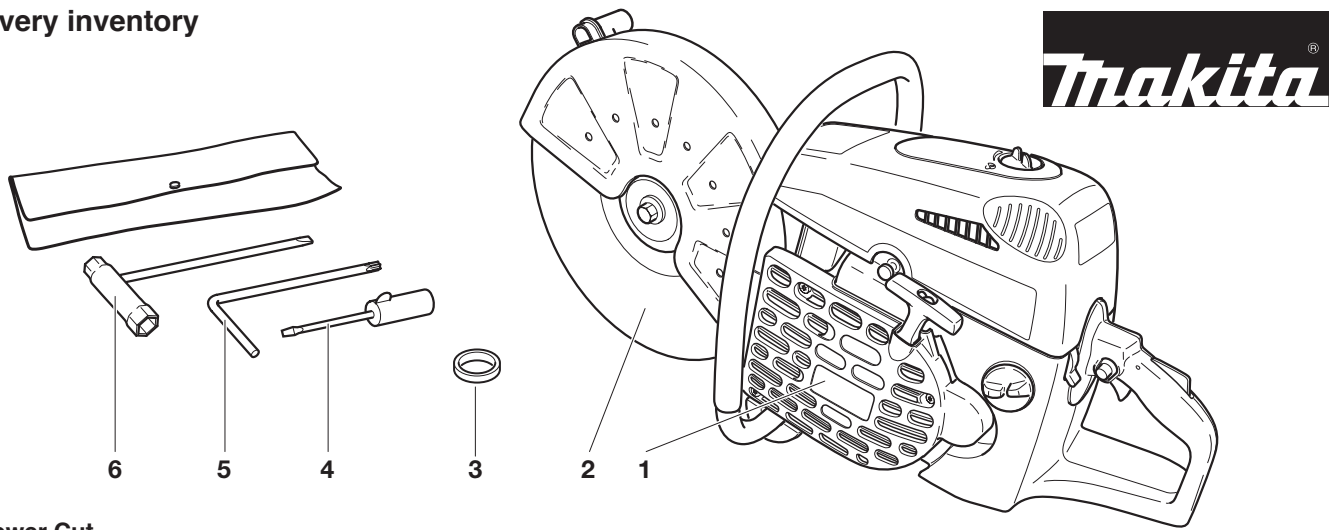
Packing

Your MAKITA Power Cut is packed in a cardboard box to prevent shipping damage.

Cardboard is a basic raw material and is consequently reuseable or suitable for recycling (waste paper recycling).



Delivery inventory



1. Power Cut
2. Cutting disc
3. Adapter ring 0.8"/1.0" (not in the general scope of delivery. Country-specific)
4. Screwdriver (for carburetor adjustment)
5. Offset screwdriver
6. Universal wrench 13/19
7. Instruction manual (not shown)

In case one of the parts listed should not be included in the delivery inventory, please consult your sales agent.

Symbols

You will notice the following symbols on the Power Cut and in the Instruction Manual:

	Read instruction manual and follow the warning- and safety precautions!		Never use carbide tipped, circular saw blades or any kind of wood cutting blades!
	Particular care and caution!		Combination Start/Stop (I/O) switch, choke
	Forbidden!		Locked / Unlocked
	Wear helmet and eye, respiratory and hearing protection!		Press decompression valve
	Wear protective gloves!		Engine - manual start
	Wear respiratory protection!		Working in winter
	Hazardous dust and/or gas emission!		Stop engine!
	Fire hazard from flying sparks!		Warning! Kickback!
	No smoking!		Fuel and oil mixture
	No open fire!		First aid
	Direction of cutting wheel rotation		Do not touch hot surfaces!
	Warning: the max. peripheral speed of the cutting disc is 80 m/s!		
	Cutting disc dimensions		

SAFETY PRECAUTIONS

Intended use

Power Cut

Use the Power Cut cutoff saw outdoors only, for trimming and cutting suitable materials, using cutting discs rated for this machine.

Improper use:

Never use the cutoff saw cutting discs for grinding or sanding (using the side of the cutting disc to remove material). The disc can break! Never use the Power Cut with saw blades, cutter blades, brushes, carbide tipped, wood cutting blades etc.

Unauthorised users:

Persons unfamiliar with the Instruction Manual, children, young people, and persons under the influence of alcohol, drugs or medications must not use the Power Cut.

General precautions

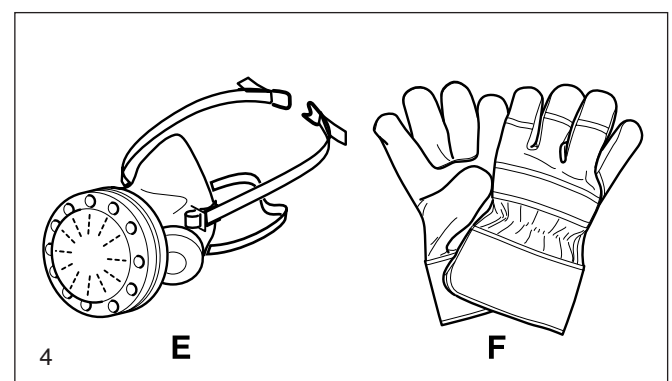
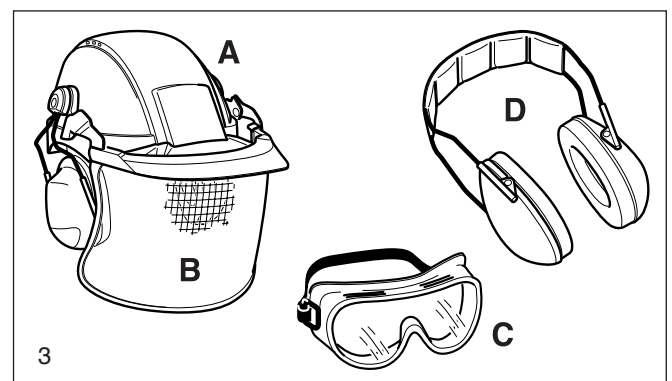
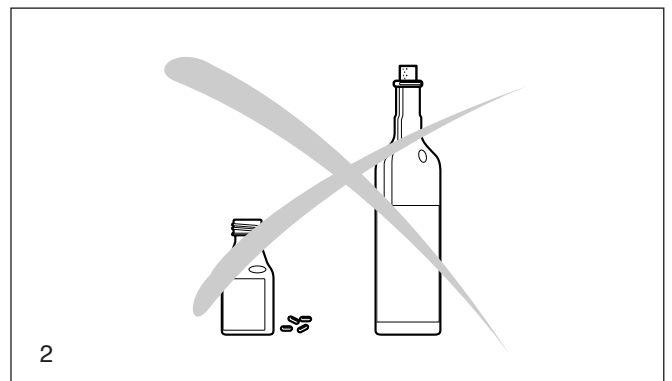
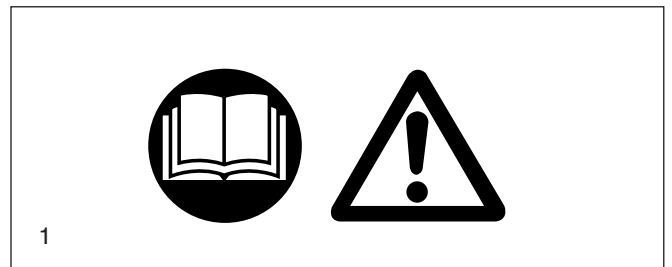
- **The operator MUST read this instruction manual to ensure safe operation (even if you already have experience in using cutoff saws).** It is important to be familiar with the operation of this particular cutoff saw. Users insufficiently informed will endanger themselves as well as others due to improper handling.
- Let only persons who have experience in using cutoff saws work with this unit. When letting another person use the Power Cut, this instruction manual must be provided along with it.
- First-time operators should ask a specialist to instruct them in working with gasoline-powered cutoff saws.
- Children and persons under 18 years of age must not be allowed to use this Power Cut. Persons over the age of 16 years may, however, use the Power Cut for the purpose of being trained as long as they are under the supervision of a qualified trainer.
- Working with the Power Cut requires high concentration.
- Operate the Power Cut only if you are in good physical condition. If you are tired, your attention will be reduced. Be especially careful at the end of a working day. Perform all work calmly and carefully. The user has to accept liability for others.
- Never work while under the influence of alcohol, drugs, medication or other substances which may impair vision, dexterity or judgement.
- A fire extinguisher must be available in the immediate vicinity when working in easily inflammable vegetation or when it has not rained for a long time (danger of fire).
- Asbestos and other materials that can release toxins may be cut only with the necessary safety precautions and after notification of the proper authorities and under their supervision or that of a person appointed by them.
- The use of dust-reduction devices is urgently recommended (see Accessories, pressure water tank, water tank).

Protective equipment

- **In order to avoid head, eye, hand or foot injuries as well as to protect your hearing the following protective equipment must be used during operation of the Power Cut:**
- The kind of clothing should be appropriate, i. e. it should be tight-fitting but not be a hindrance. Clothing in which grains of material can accumulate (trousers with cuffs, jackets and trousers with wide-open pockets, etc.) must not be worn, particularly when cutting metal.
- Do not wear any jewellery or clothing that can get caught or distract from the operation of the Power Cut.
- It is necessary to wear a protective helmet whenever working with the Power Cut. The **protective helmet (A)** is to be checked in regular intervals for damage and is to be replaced after 5 years at the latest. Use only approved protective helmets.
- The helmet **visor (B)** protects the face from dust and material grains. In order to prevent injuries to eyes and face, always

wear **protective goggles (C)** or visor when using the Power Cut.

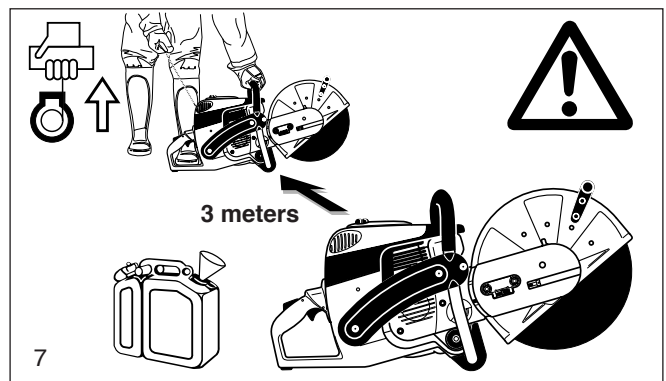
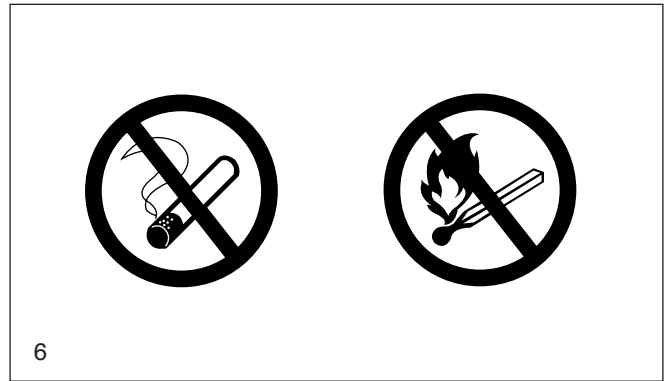
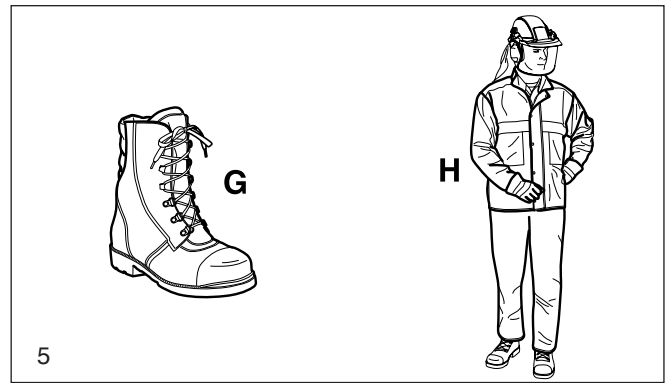
- To prevent hearing damage, always wear suitable personal **hearing protection.** (ear muffs (D), ear plugs, etc.). Octave band analysis upon request.
- When dry-cutting dust-producing materials such as stone or concrete, always wear approved **respiratory protection (E).**
- **Work gloves (F)** of tough leather are part of the required work kit of the Power Cut and must always be worn when working with the Power Cut.



- Always wear **safety shoes or boots** (G) with steel toes, non-skid soles, and leg protectors when working with the Power Cut. Safety shoes equipped with a protective layer provide protection against cuts and ensure a secure footing.
- Always wear a **work suit** (H) of tough material with sufficient flame-retardant qualities whenever working with the cutoff saw.

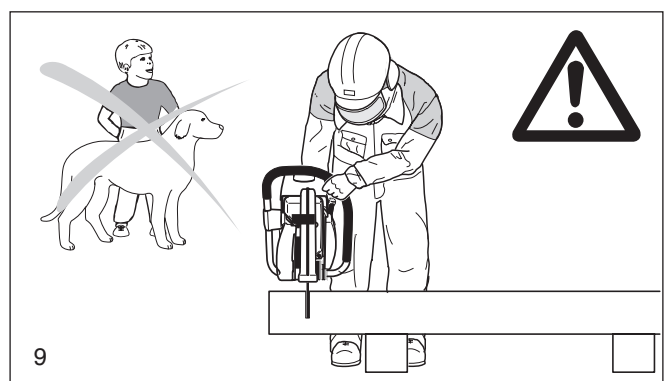
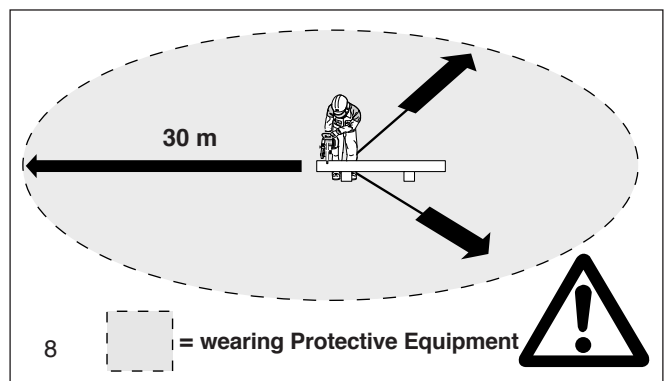
Fuels / Refuelling

- Go to a safe, level place before refuelling. **Never refuel while on scaffolding, on heaps of material, or in similar places!**
- Switch off the engine before refuelling the Power Cut.
- Do not smoke or work near open fires (6).
- Let the engine cool down before refuelling.
- Fuels can contain substances similar to solvents. Eyes and skin should not come in contact with mineral oil products. Always wear protective gloves when refuelling (not the regular work gloves!). Frequently clean and change protective clothes. Do not breathe in fuel vapors. Inhalation of fuel vapours can be hazardous to your health.
- Do not spill fuel. If a spill occurs, clean off the Power Cut immediately. Fuel should not come in contact with clothes. If your clothes have come in contact with fuel, change them at once.
- Ensure that no fuel oozes into the soil (environmental protection). Use an appropriate base.
- Refuelling is not allowed in closed rooms. Fuel vapors will accumulate near the floor (explosion hazard).
- Ensure to firmly tighten the screw cap of the fuel tank.
- Before starting the engine, move to a location at least 3 meters (approx. 10 feet) from where you fuelled the Power Cut (7), but not within the extended swing range of the cutting disc (direction of sparks).
- Fuel cannot be stored for an unlimited period of time. Buy only as much as will be consumed in the near future.
- When making up the gasoline/oil mixture, always put the oil in the mixing container first, and then the gasoline.
- Use only approved and marked containers for the transport and storage of fuel.
- **Keep fuel away from children!**



Putting into operation

- **Do not work on your own. There must be someone around in case of an emergency (within shouting distance).**
- Observe all anti-noise regulations when working in residential areas.
- **Never use the Power Cut near inflammable materials or explosive gases! The Power Cut can create sparks leading to fire or explosion!**
- Make sure that all persons within 30 meters (100 feet), such as other workers, are wearing protective gear (see "Protective Equipment") (8). Children and other unauthorized persons must remain more than 30 meters away from the working area. Keep an eye out for animals as well (9).
- **Before starting work the Power Cut must be checked for perfect function and operating safety according to the prescriptions.** In particular, make sure that the cutting wheel is in good condition (replace immediately if torn, damaged or bent), the cutting wheel is properly mounted, the protective hood is locked in place, the hand guard is properly mounted, the V-belt has the proper tension, the throttle moves easily and the half-throttle lock button functions properly, the grips are clean and dry, and the combination switch functions properly (Start/Stop (I/O) switch, choke). Visually inspect the muffler for damage and possible dirt in the muffler area.
- Start the Power Cut only after complete assembly and inspection. Never use the Power Cut when it is not completely assembled.



Cutoff discs

- The protection hood must always be on! Change discs only with the engine off!
- There are two basic types of cutoff discs:
 - For metal (hot cutting)
 - For masonry (cold cutting)

WARNING!

Never use carbide tipped, circular saw blades or any kind of wood cutting blades. Never cut any type of wood. Reactive forces can cause severe personal injury from blade contact or thrown tips.

NOTE: When using diamond cutoff discs, always make sure to observe the "direction of rotation" markings. Diamond discs should only be used for cutting masonry/brick/ concrete etc.

- Cutoff discs are intended only for radial loading, i.e. for cutting. Do not grind with the sides of the cutting disc! This will break the disc (10)!

Caution!

Never change direction (turning radius less than 5 meters (15 feet), exert lateral (sideways) pressure, or tip the Power Cut during cutting (11)!

- Use a cutting disc only for cutting the materials it is intended for. The proper type of disc must be used, for either metals or masonry.
- The arbor hole of the cutting disc must be an exact fit with the arbor or shaft. If the arbor hole is larger, it must be fitted with an adapter ring (available as an accessory).
- The cutting disc must be rated for freehand cutting at up to 3850 rpm or 80 m/sec for 400 mm discs, 4370 rpm or 80 m/sec for 350 mm discs, or up to 5100 rpm or 80 m/s for 300 mm discs. Use only cutting discs that comply with EN 12413, EN 13236.
- The disc must be free of defects (12). Do not use defective cutting discs.

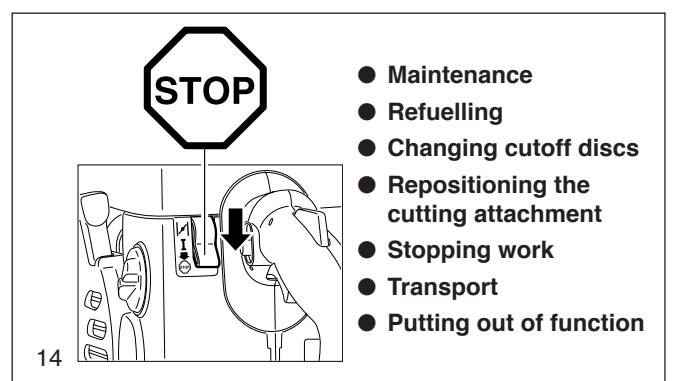
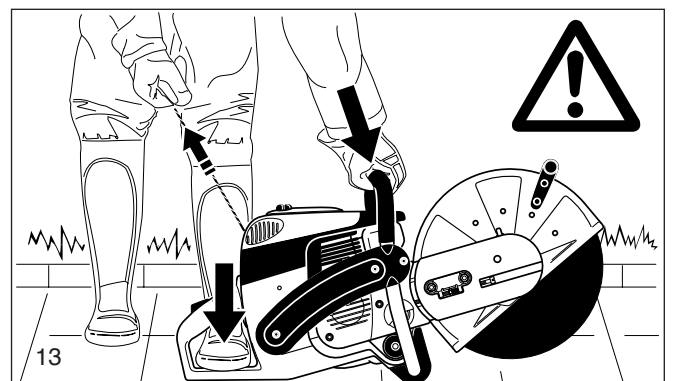
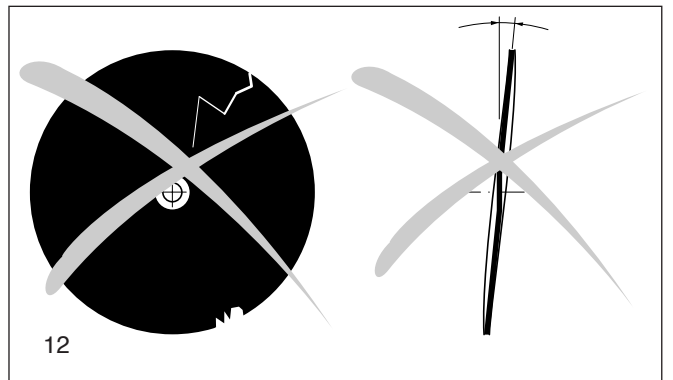
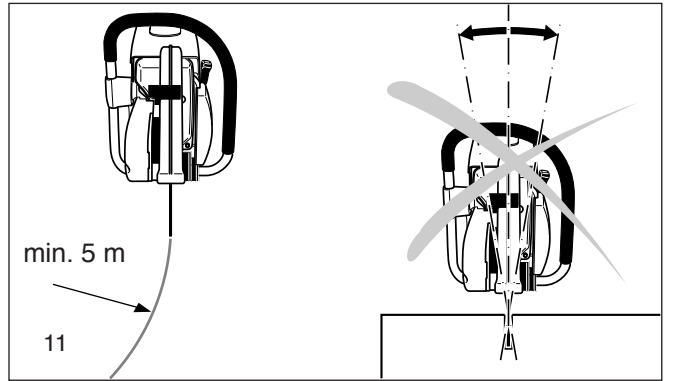
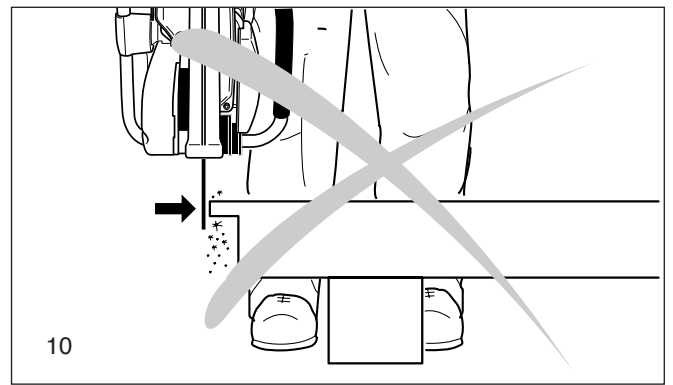
Always tighten the cutting disc mounting bolt to a torque of 30 Nm. Otherwise, the cutting disc can twist.

- Before starting the cutting disc, make sure you have a steady footing.
- Put the Power Cut into operation only as described in this instruction manual (13). Always place your left foot in the rear handle and grasp the other handle firmly (with thumb and fingers). Other starting methods are not allowed.
- When starting the Power Cut it must be well supported and securely held. The cutting disc must not be touching anything.
- If the cutting disc is new, test it by running it at least 60 seconds at top speed. When doing this, make sure that no persons or body parts are in the extended swing range of the disc, in case it is defective and flies apart.
- **When working with the Power Cut always hold it with both hands.** Take the back handle with the right hand and the tubular handle with the left hand. Hold the handles tightly with your thumbs facing your fingers.
- **CAUTION: When you release the throttle lever the disc will keep spinning for a short period of time** (free-wheeling effect).
- Continuously ensure that you have a safe footing.



Hold the Power Cut such that you will not breathe in the exhaust gas. Do not work in closed rooms or in deep holes or ditches (danger of poisoning by fumes).

- **Switch off the Power Cut immediately if you observe any changes in its operating behavior.**
- **Switch off the engine before inspecting the V-belt tension or tightening it, replacing the cutting wheel, repositioning the cutter attachment** (side or middle position) **or eliminating faults** (14).
- Turn off the engine immediately and check the disc if you hear or feel any change in cutting behaviour.
- Turn off the Power Cut when taking a break or stopping work (14). Place the unit in such a way that the disc is not touching anything and cannot endanger anyone.
- Do not put the overheated Power Cut in dry grass or on any inflammable objects. The muffler is very hot (danger of fire).
- **IMPORTANT:** After wet cutting, first turn off the water feed and then let the disc run at least 30 seconds, to fling off the remaining water and prevent corrosion.



Kickback and lock-in

- When working with the Power Cut there is a danger of kickback and lock-in.
- Kickback occurs when the top of the cutting disc is used for cutting (15).
- This causes the Power Cut to be thrown back toward the user with great force and out of control. **Risk of injury!**

To prevent kickback, observe the following:

- Never cut with the section of the cutting disc shown in figure 15.
- **Be especially careful when reinserting the disc into cuts that have already been started!**
- Lock-in occurs when the cut narrows (crack, or workpiece under stress).
- This causes the Power Cut to suddenly jump forward, out of control and with great force. **Risk of injury!**

To prevent lock-in, observe the following:

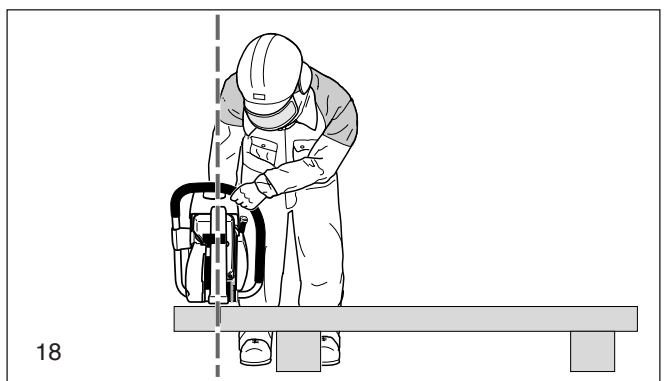
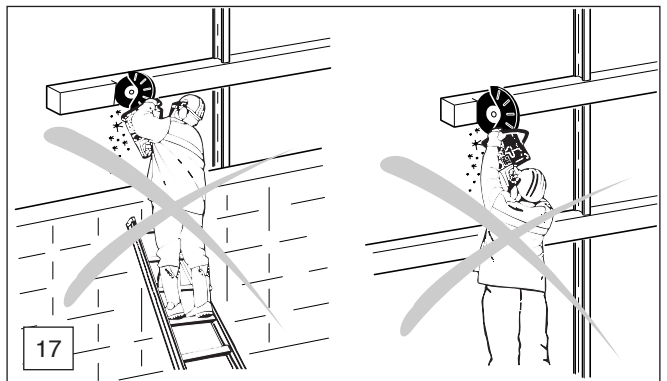
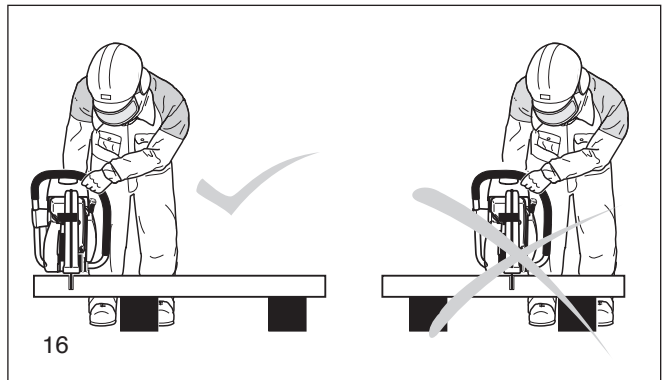
- When reinserting the disc into previous cuts, have the Power Cut running at top speed. Always cut at top speed.
- Always support the workpiece so that the cut is under tension (16), so that the cut does not press together and jam the cutting disc as it proceeds through the material.
- When starting a cut, apply the disc to the workpiece with care. Do not just shove it into the material.
- Never cut more than one piece at a time! When cutting, make sure that no other workpiece comes into contact.

Working behavior / Method of working

- Before starting work, check the work area for any hazards (electrical wires, inflammable substances). Clearly mark the work area (for example with warning signs or by cordoning off the area).
- When working with the Power Cut hold it firmly by the front and rear handles. Never leave the Power Cut unattended!
- Use the Power Cut at high speed as far as possible (see "Technical Data").
- Only use the Power Cut during good light and visibility periods. Be aware of slippery or wet areas, and of ice and snow (risk of slipping).
- Never work on unstable surfaces. Make sure that there are no obstacles in the working area, risk of stumbling. Always ensure that you have a safe footing.
- Never cut above your shoulder height (17).
- Never stand on a ladder to cut (17).
- Never use the Power Cut while standing on scaffolding.
- Do not lean over too far when working. When putting down and picking up the Power Cut, do not bend over from the waist, but instead bend in the knees. Save your back!
- Guide the Power Cut in such a way that no part of your body is within the extended swing range of the disc (18).
- Use cutting discs only for the materials for which they are designed!
- Use cutting discs only for the materials for which they are designed. Do not use the Power Cut to lift up and shovel away pieces of material and other objects.

Important! Before cutting, remove all foreign objects, such as rocks, gravel, nails etc. from the cutting area. Otherwise, such objects can be flung away by the disc with great speed. **Injury hazard!**

- When cutting workpieces down to length use a firm support. If necessary, secure the workpiece from slipping, but do not steady it with your foot or allow another person to hold it.
- When cutting round items, always secure them against rotation.
- When guiding the Power Cut by hand, use the side mounting position of the cutter attachment only when actually necessary. Otherwise, always use the central position. This gives the unit a better balance, for reduced operator fatigue.



When using synthetic resin cutting discs, always observe the following:

CAUTION:

- Synthetic resin cutting discs can absorb moisture. This moisture can cause the disc to become unbalanced at high speed. This imbalance can cause the disc to break.
- Do not cool resin cutting discs with water or other fluids.
- Do not expose resin cutting discs to high humidity or rain!

Do not use resin cutting discs past their use-by date (expiration date)! The date (quarter and year) is stamped on the disc's arbor ring.

EXAMPLE: 04 / 2007

This cutting disc can be used through the end of the fourth quarter of 2007, if properly stored and correctly used.

Cutting metals

IMPORTANT!

Always wear approved respiratory protection!

Materials that can release toxic substances may be cut only after notifying the proper authorities and under their supervision or that of a person appointed by them.

CAUTION!

The rapid rotation of the cutting disc heats metal and melts it at the point of contact. Swing the guard as far down as possible (19) in order to direct the stream of sparks forward, away from the operator (fire hazard).

- Determine the cut line, mark the cut and apply the disc to the material at moderate speed, to cut a guide groove before going to top speed and applying more pressure to the Power Cut.
- Keep the disc straight and vertical. Do not tip it, as this can break it.
- The best way to get a good, clean cut is to pull or move the Power Cut back and forth. Do not simply press the disc into the material.
- Thick round stock is best cut in stages (20).
- Thin tubing and pipes can be cut with a simple downward cut.
- Cut large-diameter pipes as for round stock. To prevent tipping and for better control, do not let the disc sink too deeply into the material. Instead, always cut shallow around the whole piece.
- Worn discs have a smaller diameter than new discs, so that at the same engine speed they have a lower effective circumferential speed and therefore do not cut as well.
- Cut I-beams and L-bars in steps; see Figure 21.
- Cut bands and plates like pipes: along the wide side with a long cut.
- When cutting material under stress (supported material or material in structures), always make a notch in the thrust (pressure) side, and then cut from the tension side, so that the disc does not lock in. **Secure cutoff material from falling!**

CAUTION!

If there is a chance that the material is under stress, be prepared for it to kick back. Make sure you can get out of the way if you have to!

Be particularly careful in scrap-metal yards, junkyards, at accident sites, and with haphazard piles of material. Precariously balanced pieces or pieces under stress can act in unpredictable ways, and may slide, jump out, or burst. Secure cutoff material from falling! Always exercise extreme caution and use only equipment that is in perfect working order.

Observe the accident-prevention rules and regulations of your employer and/or insurance organization.

Cutting masonry and concrete

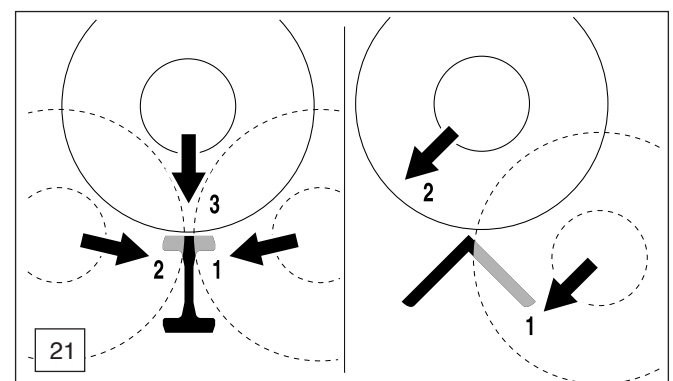
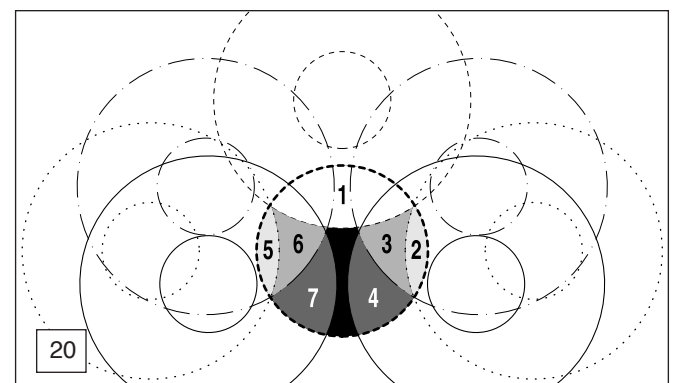
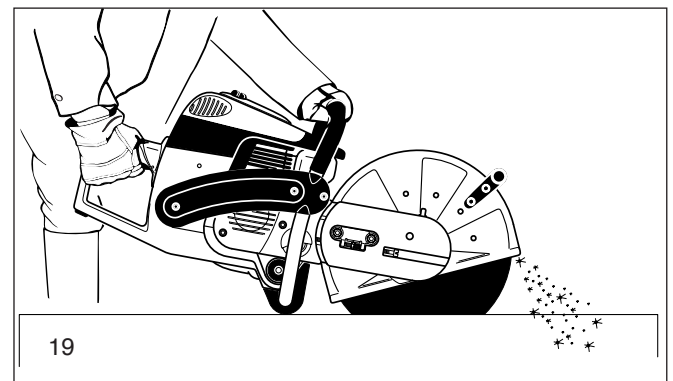
IMPORTANT!

Always wear approved respiratory protection!

Asbestos and other materials that can release toxic substances may be cut only after notifying the proper authorities and under their supervision or that of a person appointed by them. When cutting prestressed and reinforced concrete piles, follow the instructions and standards of the responsible authorities or the builder of the structural member. Reinforcement rods must be cut in the prescribed sequence and in accordance with applicable safety regulations.

NOTE:

Mortar, stone, and concrete develop large quantities of dust during cutting. To increase the lifetime of the cutting disc (by cooling), to improve visibility, and to avoid excessive dust creation, we strongly recommend wet cutting instead of dry cutting.



In wet cutting, the disc is wetted at an equal rate on both sides by a trickle of water. MAKITA offers the right accessories for all wet cutting applications (see also "SPECIAL ACCESSORIES").

- Remove foreign objects such as sand, stones and nails found within the working area. **Caution: Watch out for electric wires and cables!**

The rapid rotation of the cutting disc at the point of contact throws fragments out of the cut groove at high speed. For your safety, swing the protection hood down as far as possible (23), so that material fragments are thrown forward, away from the operator.

- Mark the cut, and then make a groove about 5 mm (just under 1/5") along the entire length of the planned cut. This groove will then guide the Power Cut accurately during the actual cutoff.

NOTE:

For long, straight cuts we recommend using a trolley (24, see also "SPECIAL ACCESSORIES"). This makes it much easier to guide the unit straight.

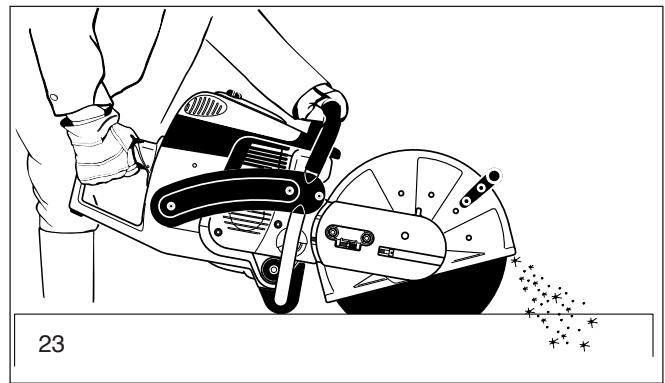
- Perform the cut with a steady back-and-forth motion.
- When cutting slabs to size, you need not cut through the entire material thickness (creating unnecessary dust). Instead, simply make a shallow groove, and then knock off the excess material cleanly on a flat surface (25).

CAREFUL!

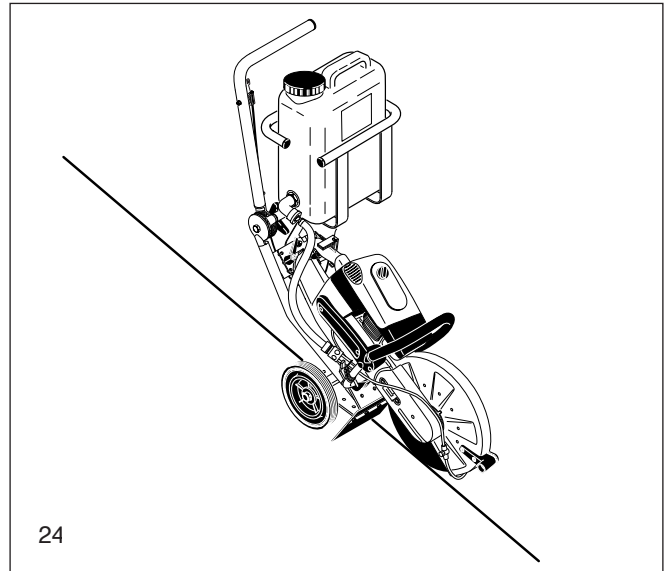
When cutting into lengths, cutting through material, making cutouts, etc., always make sure to plan the direction and sequence of cuts in such a way that the disc does not get jammed by the cut-off piece, and that no persons can be injured by falling pieces.

Transport and storage

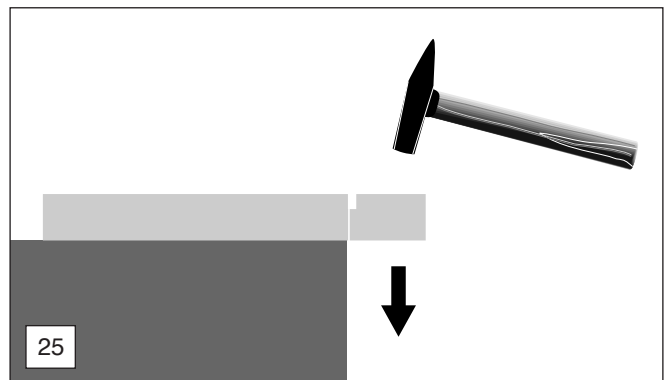
- **Always turn off the Power Cut when transporting it or moving it from place to place on a site (26).**
- **Never carry or move the unit with the engine on or the disc moving!**
- Carry the unit only by the tubular (middle) handle with the cutting disc pointing behind you (26). Avoid touching the exhaust muffler (burn hazard!)
- When moving the Power Cut over longer distances, use a wheelbarrow or wagon.
- When transporting the Power Cut in a vehicle, make sure it is securely positioned in such a way that no fuel can leak out. Always remove the cutting disc before transporting the unit in a vehicle. Before transporting in a vehicle, allow the Power Cut to cool off completely. Note: Mufflers with catalytic converters take longer to cool off!
- The Power Cut should be stored safely in a dry place. It must not be left outdoors! Always dismount the cutting disc before storage. Keep the Power Cut away from children.
- **Before long-term storage and before shipping the Power Cut, follow the instructions in the chapter on "Periodic care and maintenance". ALWAYS empty the fuel tank and run the carburetor dry.**
- When putting cutting discs in storage, be careful to:
 - Clean and dry them well. **CAUTION: Do NOT** clean synthetic resin cutting discs with water or other fluids!
 - Store them lying down flat.
 - Avoid dampness, freezing temperatures, direct sunshine, high temperatures and temperature fluctuations, as these can cause breakage and splintering.
 - Before re-using a resin cutting disc, make sure of the use-by (expiration) date (quarter and year, stamped on the arbor ring). If this date has been exceeded, do **NOT** use the cutting disc.
- **Always check new cutting discs or cutting discs that have been in storage to make sure that they are free of defects and before the first cut test-run the tool at top speed for at least 60 seconds. Keep body parts and people well away out of range of the direction of the cutting disc during this test.**



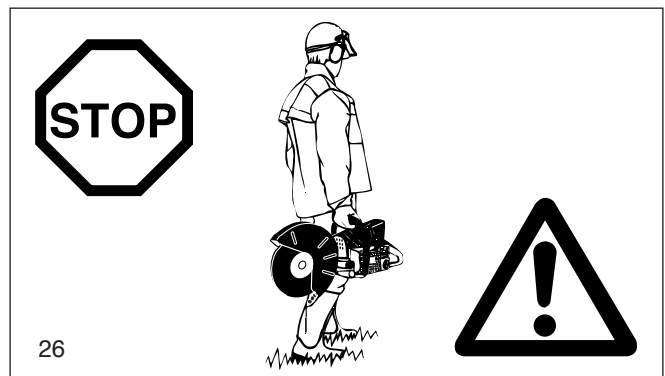
23



24



25



26

Maintenance

- **Before performing maintenance work switch off the Power Cut (27) and pull out the plug cap.**
- **Allow the Power Cut to cool off before doing any maintenance work (burn hazard)!**
- Always check the Power Cut before using it to make sure that it is in good working order. In particular, make sure that the cutting disc is properly mounted. Make sure that the cutting wheel is undamaged and suitable for the job it will be used for.
- Operate the Power Cut only at a low noise and emission level. For this ensure the carburetor is adjusted correctly.
- Do not operate the Power Cut with a defective or modified muffler.
- Clean the Power Cut regularly.
- Check the fuel tank cap regularly for good sealing.

Observe the accident prevention instructions issued by trade associations and insurance companies. NEVER make any modifications to the Power Cut! You will only be putting your own safety at risk!

Perform only the maintenance and repair works described in the instruction manual. All other work must be carried out by MAKITA Service.

Use only original MAKITA spares and accessories.

The use of non-MAKITA spares, accessories, or cutting discs increases the risk of accident. We cannot accept any responsibility for accidents or damage occurring in association with the use of cutting discs or accessories other than original MAKITA.

First aid

For the event of a possible accident, please make sure that a first aid kit is always immediately available close by. Immediately replace any items used from the first aid box.

When calling for help, give the following information:

- Place of the accident
- What happened
- Number of injured people
- Kind of injuries
- Your name!

NOTE

Individuals with poor circulation who are exposed to excessive vibration may experience injury to blood vessels or the nervous system.

Vibration may cause the following symptoms to occur in the fingers, hands or wrists: "Falling asleep" (numbness), tingling, pain, stabbing sensation, alteration of skin colour or of the skin. **If any of these symptoms occur, see a physician!**

Disposal and environmental protection

Be mindful of the environment!

Dispose of worn-out or defective cutting discs in accordance with your local disposal regulations. To protect unusable cutting discs from misuse, destroy them before disposal.

When the Power Cut is worn out or damaged beyond repair, have it disposed of or recycled in an environmentally sound manner. If necessary, consult your local authorities.

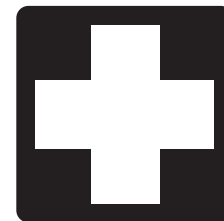


27



SERVICE

28



29

Technical data

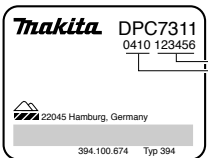
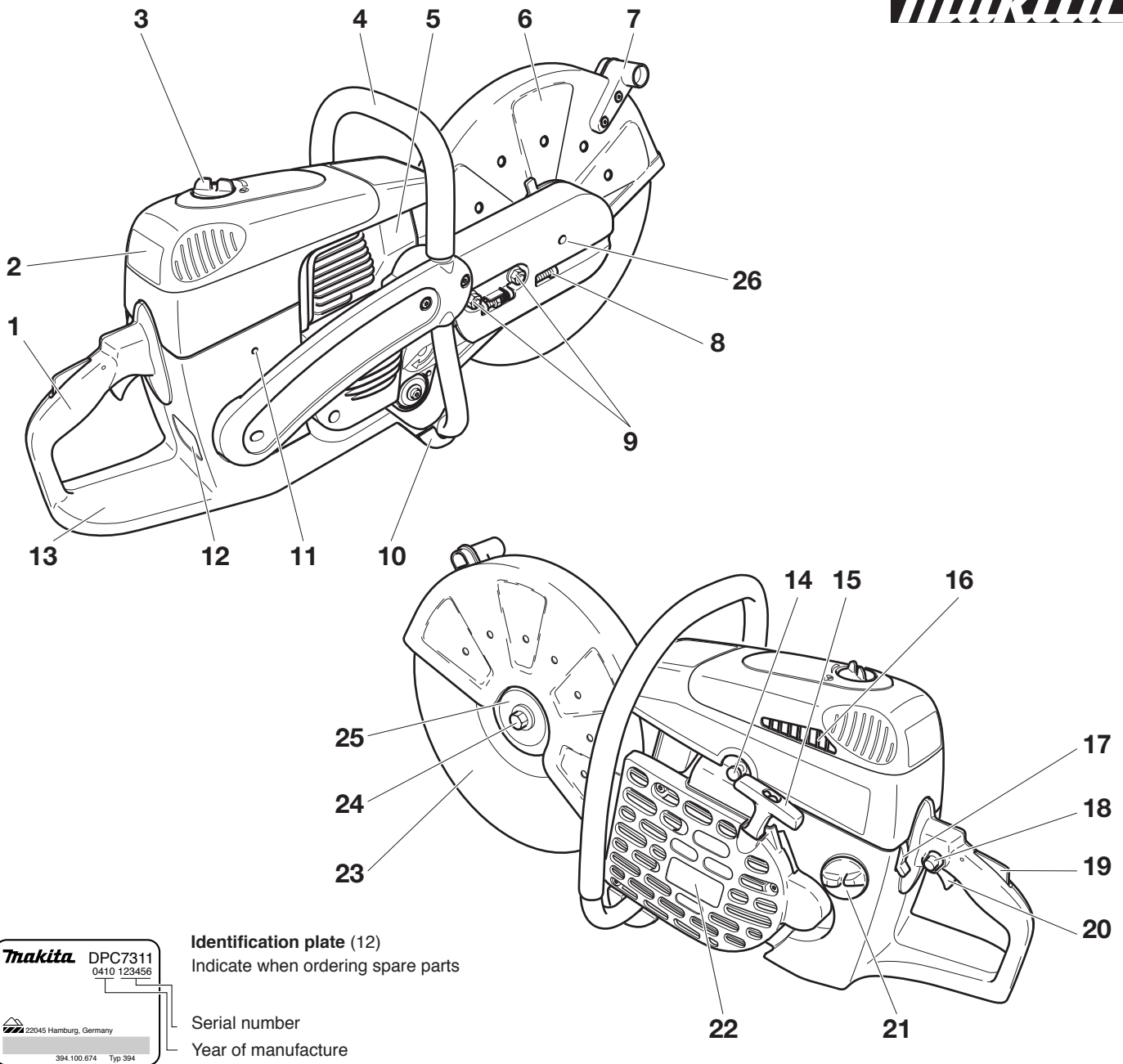
		DPC6410	DPC6411	DPC7310, 7320	DPC7311, 7321
Displacement	cu in (cm ³)	3.9 (64)		4.5 (73)	
Bore	in (mm)	1.85 (47)		1.97 (50)	
Stroke	in (mm)	1.46 (37)		1.46 (37)	
Max. power	hp (kW)	4.4 (3.2)		5.6 (4.2)	
Max. torque	Nm	4.0		5.0	
Idling speed	1/min	2,500		2,500	
Clutch engagement speed	1/min	3,800		3,800	
Engine speed limitation	1/min	9,350 ± 145		9,350 ± 145	
Max. spindle speed	1/min	4,300		4,300	
Sound pressure level at the operators ear	dB (A)	97		104	
Sound pressure level at the bystander's position (50 ft)	dB (A)	84		86	
Vibration acceleration a _{h,w} per EN 1454					
- Tubular handle (idle/rated spindle speed)	m/s ²	6 / 5		7 / 6	
- Rear handle (idle/rated spindle speed)	m/s ²	8 / 6		8 / 7	
Carburetor (diaphragm carburetor)	Type	WALBRO WJ-105			
Ignition system (with speed limitation)	Type	electronic			
Spark plug	Type	NGK BPMR 7A / BOSCH WSR 6F / CHAMPION RCJ 6Y			
Electrode gap	in (mm)	.020 (0.5)		.020 (0.5)	
Fuel consumption at max. load per ISO 8893	kg/h	1.65		2.1	
Specific consumption at max. load per ISO 8893	g/kWh	500		500	
Fuel tank capacity	fl oz (l)	37 (1.1)		37 (1.1)	
Mixture ratio (fuel/two-stroke oil)					
- when using MAKITA HP 100 high-performance oil		100:1		100:1	
- when using MAKITA oil		50:1		50:1	
Cutting disc for 80 m/sec. ²⁾	in	12" / 0.8" / 0.2" ³⁾	14" / 0.8" / 0.2" ³⁾	12" / 0.8" / 0.2" ³⁾	14" / 0.8" / 0.2" ³⁾
Cutting disc for 80 m/sec. ^{2) 4)}	in		14" / 1" / 0.2" ³⁾		14" / 1" / 0.2" ³⁾
Arbor diameter	in	0.8"	0.8" / 1.0"	0.8"	0.8" / 1.0"
V-belt	no.	965 300 470		965 300 470	
Overall weight (tanks empty, without cutting disc)	lb	21.38	21.82	21.6	22.04

		DPC8111	DPC8112
Displacement	cu in (cm ³)	4.9 (81)	
Bore	in (mm)	2.05 (52)	
Stroke	in (mm)	1.49 (38)	
Max. power	hp (kW)	6.2 (4.5)	
Max. torque	Nm	5.2	
Idling speed	1/min	2,500	
Clutch engagement speed	1/min	3,800	
Engine speed limitation	1/min	9,350 ± 145	
Max. spindle speed	1/min	4,300	
Sound pressure level at the operators ear	dB (A)	100	
Sound pressure level at the bystander's position (50 ft)	dB (A)	79	
Vibration acceleration a _{h,w} per EN 1454			
- Tubular handle (idle/rated spindle speed)	m/s ²	5.6 / 6.3	
- Rear handle (idle/rated spindle speed)	m/s ²	8.8 / 6.0	
Carburetor (diaphragm carburetor)	Type	WALBRO WJ-105	
Ignition system (with speed limitation)	Type	electronic	
Spark plug	Type	NGK BPMR 7A / BOSCH WSR 6F / CHAMPION RCJ 6Y	
Electrode gap	in (mm)	.020 (0.5)	
Fuel consumption at max. load per ISO 8893	kg/h	2.3	
Specific consumption at max. load per ISO 8893	g/kWh	500	
Fuel tank capacity	fl oz (l)	37 (1.1)	
Mixture ratio (fuel/two-stroke oil)			
- when using MAKITA HP 100 high-performance oil		100:1	
- when using MAKITA oil		50:1	
Cutting disc for 80 m/sec. ²⁾	in	14" / 0.8" / 0.2" ³⁾	16" / 0.8" / 0.2" ³⁾
Cutting disc for 80 m/sec. ^{2) 4)}	in	14" / 1.0" / 0.2" ³⁾	16" / 1.0" / 0.2" ³⁾
Arbor diameter	in	0.8" (1.0") ⁴⁾	0.8" (1.0") ⁴⁾
V-belt	no.	965 300 490	
Overall weight (tanks empty, without cutting disc)	lb	22.05	23.37

²⁾ Circumference speed at max. engine speed

³⁾ Outside diameter / arbor hole / thickness

⁴⁾ Country-specific



Identification plate (12)
Indicate when ordering spare parts

Serial number
Year of manufacture

- | | | | |
|----|--|----|--|
| 1 | Handle | 14 | Decompression valve |
| 2 | Filter cover for air filter and spark plug cap | 15 | Starter grip |
| 3 | Cover lock | 16 | Air intake |
| 4 | Tubular handle | 17 | Combination Start/Stop (I/O) switch, choke |
| 5 | Muffler | 18 | Stop knob for halfway throttle |
| 6 | Protection hood | 19 | Safety locking button |
| 7 | Grip | 20 | Throttle lever |
| 8 | V-belt tension adjusting screw | 21 | Tank cap (fuel) |
| 9 | Retaining nuts | 22 | Starter housing with starter |
| 10 | Stand | 23 | Cutting disc |
| 11 | Carburetor adjustment opening | 24 | Disc bolt |
| 12 | Identification plate | 25 | Spring washer |
| 13 | Fuel tank with handle | 26 | Hold opening |

PUTTING INTO OPERATION

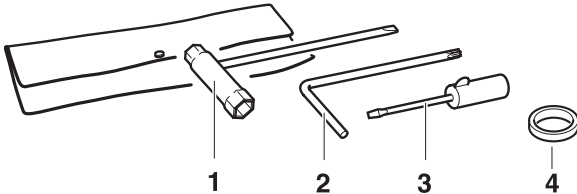


CAUTION:

Always turn off the engine and pull off the spark plug cap before doing any work on the Power Cut! Always wear protective gloves!

CAUTION:

Start the Power Cut only after complete assembly and inspection.



For the the following work, use the assembly tools included with delivery:

1. 13/19 AF combination wrench
2. Allen key
3. Carburetor adjustment screwdriver
4. Adapter ring (not in the general delivery inventory)

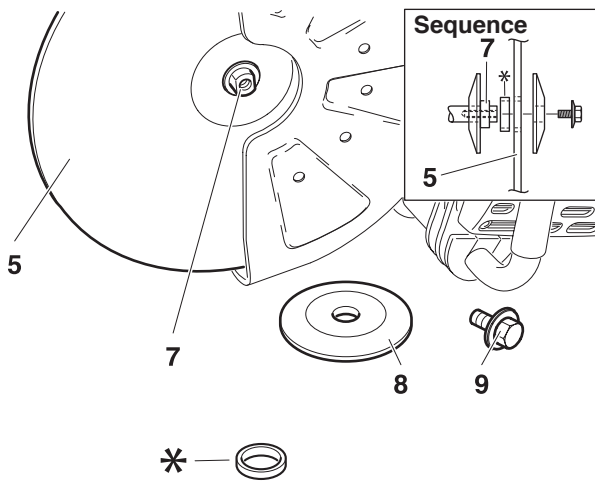
Place the Power Cut on a stable surface and carry out the following assembly steps:

Only for models DPC8111 and 8112

No air filter is installed!



Before operation, insert an oiled foam filter (pre-filter), as shown in the adjacent illustration! To do this, take off the filter cover (see the chapter on Cleaning / changing the air filter).



Mounting the cutting disc

Inspect the disc for damage.

See **SAFETY INSTRUCTIONS**, Page 7.



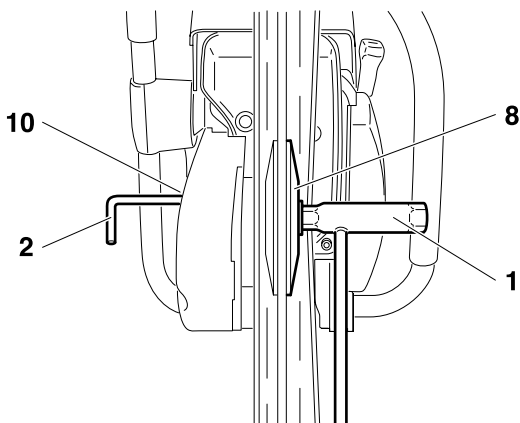
Unscrew screw (9) and remove the spring washer (8).

Place the cutting disc (5) on the arbour (7).

Hinweis: The arbor hole of the cutting disc must be an exact fit with the arbor or shaft. If the arbor hole is larger, it must be fitted with an adapter ring (*).



Make sure the cutting disc is installed so it turns in the right direction, if a direction is marked on the disc.



Place the spring washer (8) on the arbour and insert the screw (9) and tighten by hand.

Turn the disc slowly until the stop hole of the V-belt pulley is visible in the cutting arm cover (10).

Insert the Allen key (2) as far as it will go. The shaft is now blocked.

Tighten the screw with the combination wrench (1)

NOTE: Tighten the screw firmly (30 ± 2 Nm), as otherwise the cutting wheel may slip during cutting.

Tightening the V-belt / Checking V-belt tension

IMPORTANT:

Exact V-belt tension is essential for maximum cutting performance with minimum fuel consumption. Improper V-belt tension will result in premature wear to the V-belt and V-belt wheel or damage to the clutch bearing.

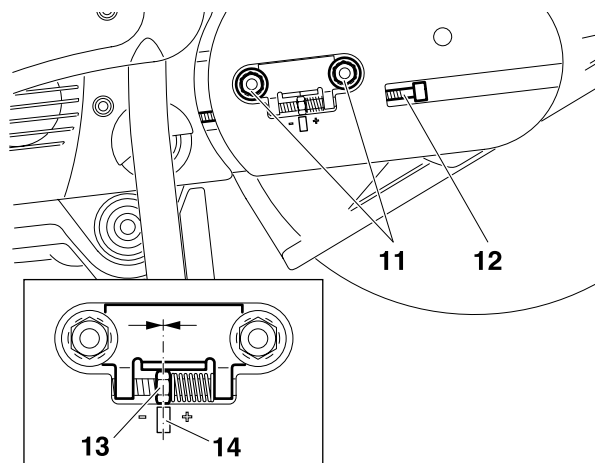
If the Power Cut is new or the V-belt has been replaced, retighten the V-belt after the first hour of operation!



NOTE: The two fastening nuts (11) must be loosened before tightening the V-belt or checking the tension.

To increase the belt tension, turn the tightening screw (12) to the right (clockwise) with the combination wrench included with the Power Cut.

The belt tension is correctly adjusted when the nut (13) is centred on the mark (14).



IMPORTANT:



After tightening/inspection, make certain to tighten the fastening nuts (11) (30 ± 2 Nm).

Installing the pressure water system

Not in the general scope of delivery. Country-specific!



CAUTION: Before doing any work on the Power Cut, always switch off the engine and disconnect the spark plug cap!

NOTE: When using a protective hood for a maximum disk diameter of 300 mm (12"), always shorten hose (15) to 180 mm (7").

To do this unscrew sleeve (16) and carefully pull tube (15) off coupling (17) and cut to 180 mm. Then push the tube end back over the coupling and tighten the sleeve all the way.

- Install the water connection as shown in figure. Push clamp (22) around the front grip (23) and fasten with the bolt and square nut.
- Pull the quick-release coupling (24) from the water connection and connect it to the 1/2" supply line (18).
- Remove the cutting disk (see instruction manual).
- Tube routing with the cutting assembly in the middle position, see figure.
- Tube routing with the cutting assembly in the outside position, see figure.
- Insert the nozzles (19) through the protective hood (20) from the inside and put on couplings (17). Screw on and tighten the coupling caps (21).

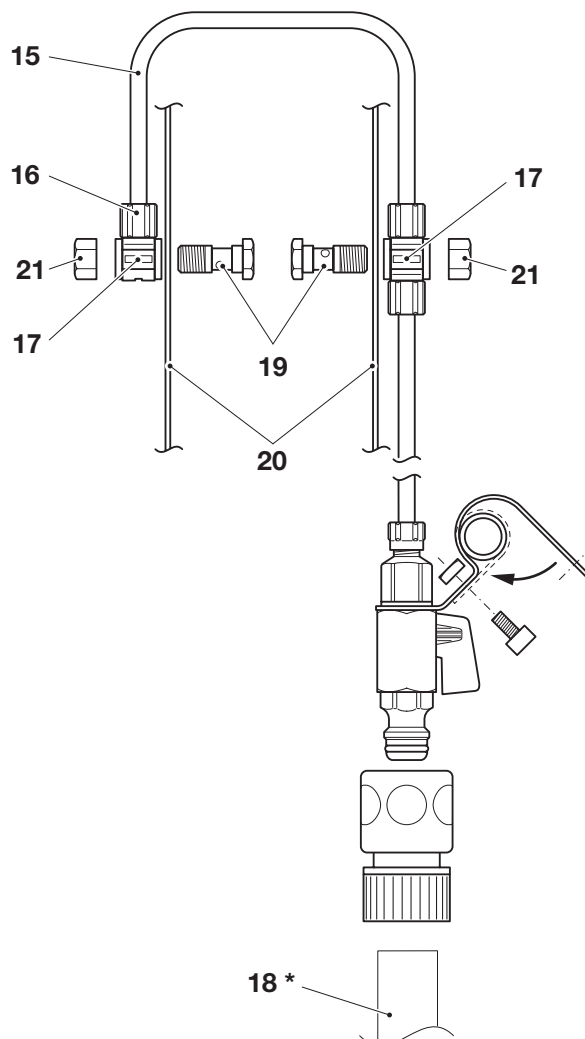
IMPORTANT:

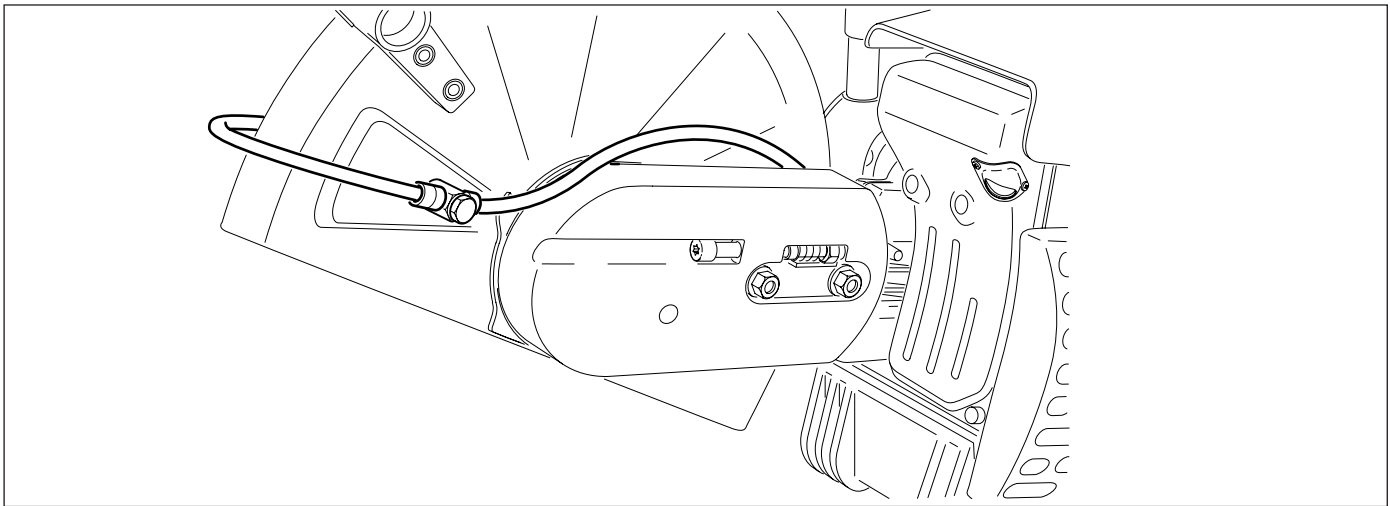
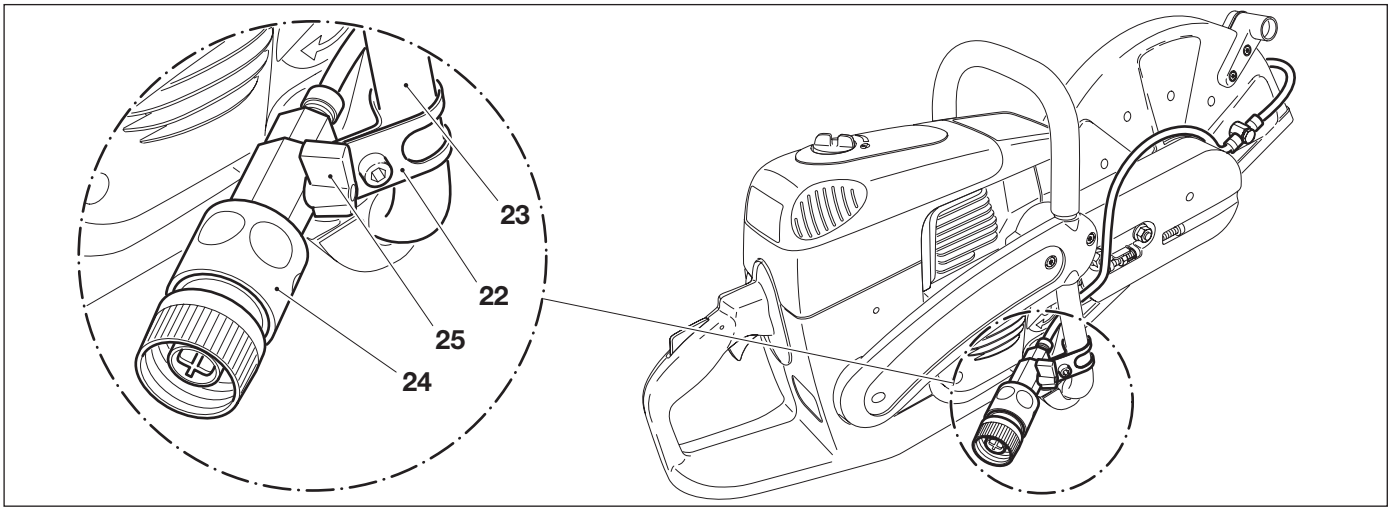
To avoid bending the tubes, be sure to position the couplings (17) in accordance with figures as appropriate.

- Install the cutting disc (see instruction manual).
- Connect the quick-release coupling (24) to the supply tube.

NOTE:

The water flow rate can be precisely adjusted with valve (25).





Fuels

Caution:

The Power Cut uses mineral-oil products (gasoline and oil).

Be especially careful when handling gasoline.

Do not smoke. Do not allow gasoline to come near flames, sparks or fire (explosion hazard).



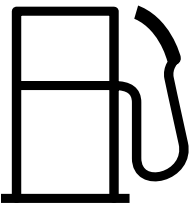

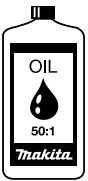
Fuel mixture

The Power Cut is powered by a high-performance two-stroke engine. It runs on a mixture of gasoline and two-stroke engine oil.

The engine is designed for unleaded regular gasoline with a min. octane value of 91 ROZ. In case no such fuel is available, you can use fuel with a higher octane value. This will not affect the engine.

In order to obtain an optimum engine output and to protect your health and the environment use unleaded fuel only. Gasoline which contains alcohol should not be used in MAKITA products.

To lubricate the engine, use a two-stroke engine oil (quality grade JASO FC or ISO EGD), which is added to the fuel. The engine is designed for the use of MAKITA HP 100 high-performance two-stroke engine oil at a mixture ratio of only 100:1 to protect the environment. In addition, this ensures a long service life and reliable operation with minimum exhaust emissions.

Gasoline	100:1	50:1
		
1.0 Us-gal. (3.7 l)	1.25 floz. (37 cm ³)	2.5 floz. (75 cm ³)
2.5 Us-gal. (9.4 l)	3.2 floz. (94 cm ³)	6.4 floz. (189 cm ³)
5.0 Us-gal. (18.9 l)	6.4 floz. (189 cm ³)	12.8 floz. (378 cm ³)

The correct mixture ratio:

100:1 When using MAKITA HP 100 high-performance two-stroke engine oil, i. e. 100 parts gasoline to 1 part oil.

50:1 When using MAKITA high-performance two-stroke engine oil, i. e. 50 parts gasoline to 1 part oil.

NOTE: For preparing the fuel-oil mixture first mix the entire oil quantity with half of the fuel required, then add the remaining fuel. Shake the finished mixture thoroughly before pouring it into the Power Cut tank.

Caution: Open the tank cap carefully, as pressure might have built up inside!

It is not wise to add more engine oil than specified to ensure safe operation. This will only result in a higher production of combustion residues which will pollute the environment and clog the exhaust channel in the cylinder as well as the muffler. In addition, fuel consumption will rise and performance will decrease.

The Storage of Fuel

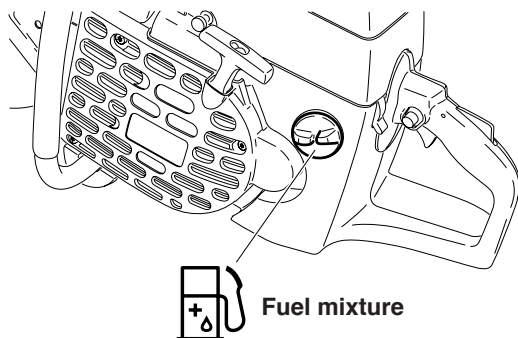
Fuels have a limited storage life. Fuel and fuel mixtures age through evaporation, especially at high temperatures. Aged fuel and fuel mixtures can cause starting problems and damage the engine. Purchase only that amount of fuel, which will be consumed over the next few months. At high temperatures, once fuel has been mixed it should be used up in 6-8 weeks.

Use only approved and marked containers for transport and storage. Store fuel only in dry, cool and secure locations!



AVOID SKIN AND EYE CONTACT

Mineral oil products degrease your skin. If your skin comes in contact with these substances repeatedly and for an extended period of time, it will dry out. Various skin diseases may result. In addition, allergic reactions are known to occur. Eyes can be irritated by contact with oil. If oil comes into your eyes, immediately wash them with clear water. If your eyes are still irritated, see a doctor immediately!



Refuelling

IMPORTANT:

FOLLOW THE SAFETY PRECAUTIONS!

Be careful and cautious when handling fuels.

The engine must be turned off and cooled down!

Carefully clean the area around the fuel-tank filler neck to keep dirt from getting in the tank.

Place the unit on its side on an even surface.

Unscrew the tank cap and fill tank with fuel mixture. Take care to avoid spilling.

Screw the tank cap back on hand-tight.

After refuelling, clean screw cap, tank and check for leakages.

Never start or operate the Power Cut in the same place as it was fuelled!

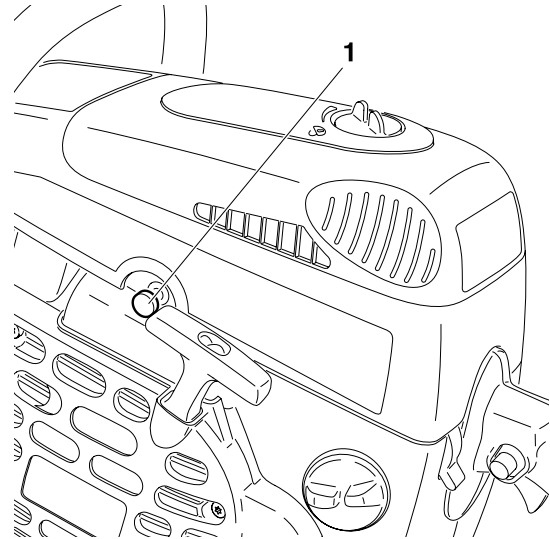
If fuel gets on your clothing, change clothes immediately.

Starting the engine



This model is fitted with a semiautomatic decompression valve (1) to make starting easier. Depressing it reduces the force needed for compression, so little force is needed to accelerate the engine to its starting speed.

The high pressure in the combustion chamber after the first ignition automatically closes the decompression valve (button pops out).

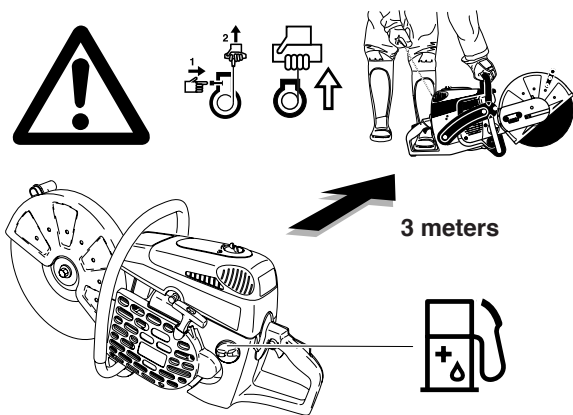


CAUTION:

Observe the **SAFETY INSTRUCTIONS** on page 5 and 6!
Start the Power Cut only after complete assembly and inspection!

Move at least 3m away from the place where you fuelled the Power Cut.

Make sure you have a good footing, and place the Power Cut on the ground in such a way that the cutting disc is not touching anything.



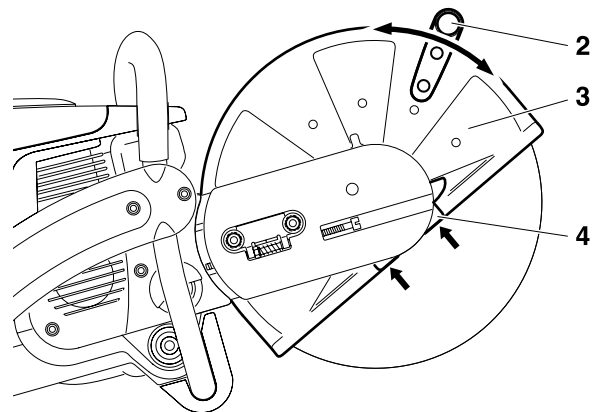
Move the protective hood (3) into the proper position for the work you intend to do (see illustration).

Grasp the grip (2). The hood (3) can swing in both ways within its range of motion.

Caution:

Always make sure that the straight outer edge of the impact plate (4) and the edge of the hood are parallel (see arrows).

If this is not the case, take the tool to a service center.



Cold-starting

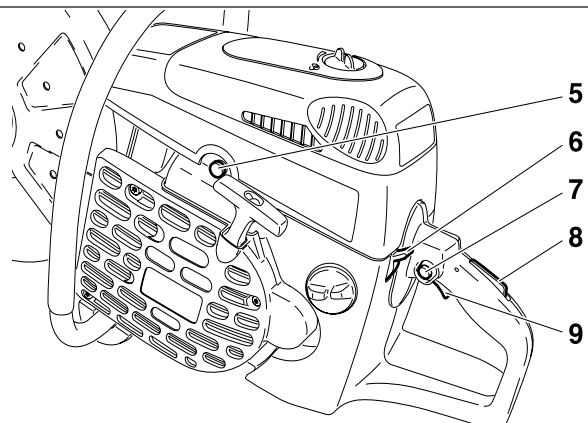
Move the combination switch (6) up (choke position).
Grasp handle (hand pressure actuates the grip throttle lever lock (8)).

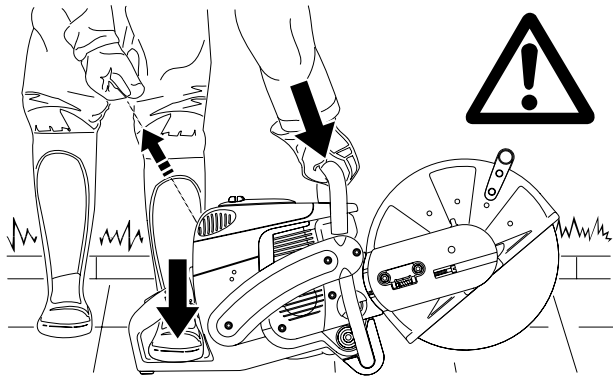
Push the throttle (9) in all the way and hold it.

Press the throttle lock (7) and release the throttle (9) (the throttle lock will hold the throttle at half-throttle position).

NOTE: If the Power Cut is in a trolley, bring the control lever to the third or fourth detent.

Depress decompression valve (5).





Grasp the tubular handle firmly with one hand and press the Power Cut against the ground.

Place the tip of your left foot in the rear handle.

Pull the starter cable strong and rapidly until you hear the first audible ignition.

CAUTION: Do not pull out the starter cable more than approx. 50 cm, and lead it back by hand.

Depress decompression valve (5) again.

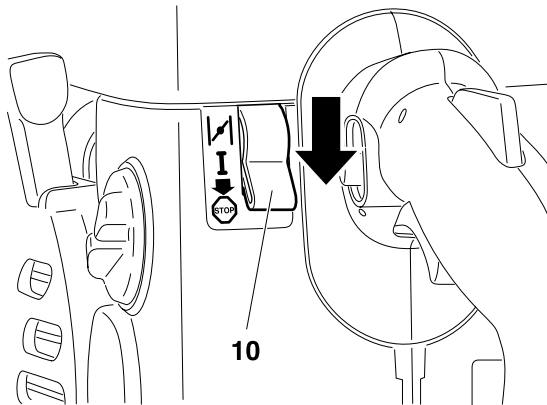
Put the combination switch (6) in position "I".

Keep pulling the starter cable until the engine catches.


As soon as the engine is running, press the throttle (9) to release the half-throttle lock (7), allowing the engine to idle.

Warm-starting

As described under "Cold starting", except without putting the combination switch (6) in choke position.



Stopping the engine

Push the combination switch (10) down to position .

Adjusting the carburetor

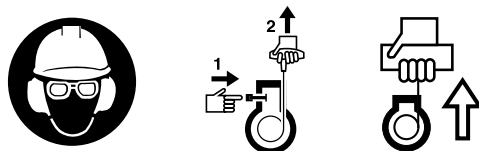


NOTE: The grinding parts are equipped with an electronic ignition to limit the speed.

At the factory the idling speed has been set to approx. 2500 rpm, but the running-in process of a new engine may require slight readjustment of the idling speed.

For correct adjustment of the idling speed the following steps must be carried out:

Start the engine and run it until it is warm (about 3 - 5 minutes).

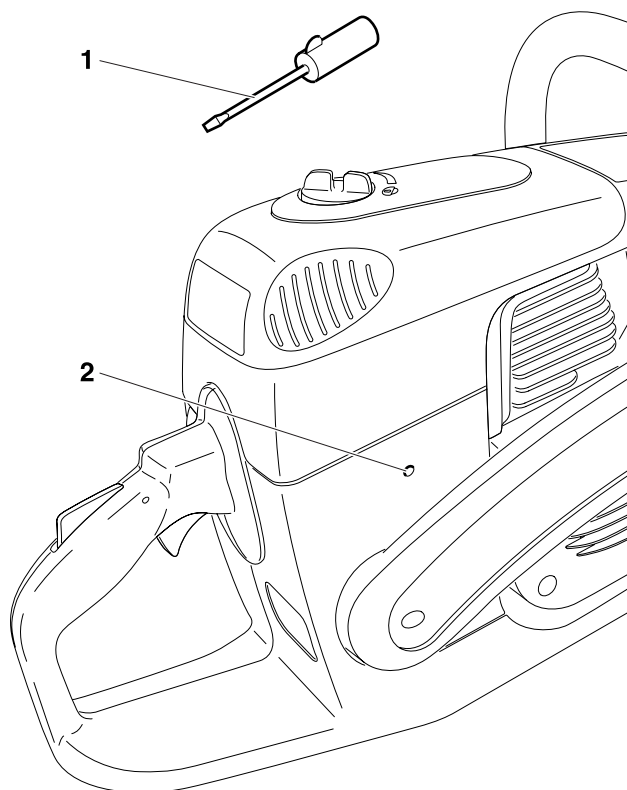


Adjust the carburetor with the screwdriver (1, Order No. 944 340 001) included with the Power Cut. It has a lug that helps with adjustment.

Readjust the idling speed.

If the cut-off disc is still turning when the engine is running, unscrew the adjusting screw of the throttle valve (2) until the cut-off disc is no longer turning. When the engine is left running at idling speed, loosen the screw a little.

Switch off the engine



MAINTENANCE



CAUTION:

Before doing any work on the Power Cut **turn off the engine**, remove the cutting disc, pull the plug cap off the spark plug and wear protective gloves!

CAUTION:

Start the Power Cut only after complete assembly and inspection.



SERVICE

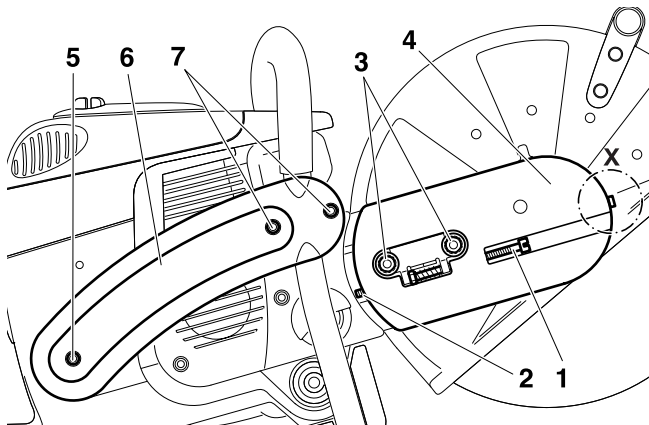
IMPORTANT:

Because many of the parts and assemblies not mentioned in this Instruction Manual are vital to the safety of the unit, and because all parts are subject to a certain amount of wear and tear, it is important for your own safety that you have the unit checked and maintained regularly by a MAKITA service center.

IMPORTANT:



If the cutting wheel breaks during cutting, the Power Cut must be repaired by a MAKITA service center before being used again!



Changing the V-belt

Loosen nuts (3).

Loosen the tightening screw (1) (counter-clockwise) until the end of the screw (2) is visible in the gap.

Loosen and unscrew the screw (detail X, only for DPC8112).

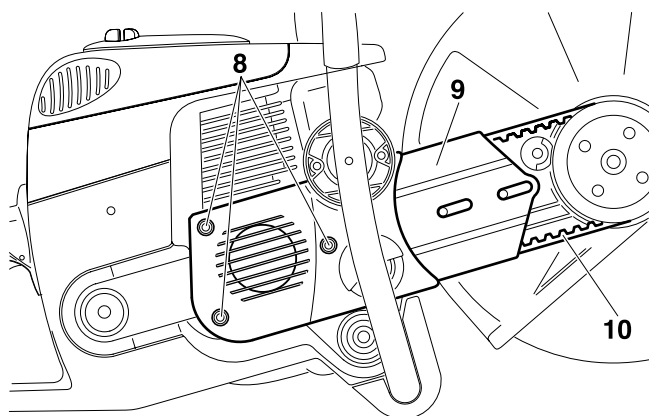
Unscrew the nuts (3) and remove the cover (4).

Remove the screws (5) and (7) and remove the side piece (6).

NOTE:



Screw (5) is longer than screws (7). Make sure to put them back in the right places during reassembly!



Unscrew the screws (8) and remove the crankcase housing cover (9).

Remove the old belt (10) or belt pieces.

NOTE: The illustration shows the V-belt for models DPC6410 - 7321).

Clean out the inside of the drive arm with a brush.

Put in a new V-belt.

NOTE:

Reassemble the crankcase housing cover (9), side piece (6) and cover (4) in the reverse order.

To tighten the V-belt see "Tightening the V-belt / Checking V-belt tension".

Cleaning the protection hood

Over time, the inside of the protective hood can become caked with material residue (especially from wet cutting), which if allowed to accumulate can hinder the free rotation of the cutting disc. For this reason the hood must be cleaned out from time to time.

Take off the cutting wheel with spring washer and remove the accumulated material from inside the hood with a strip of wood or similar implement.


Clean the shaft and all removed parts.



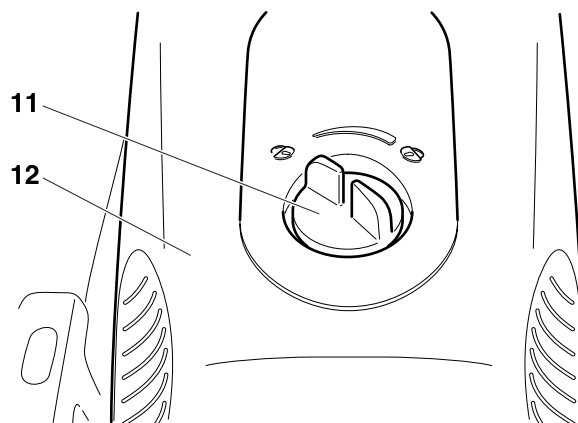
NOTE: To install the cutting wheel see "Mounting the cutting wheel".

Cleaning / changing the air filter

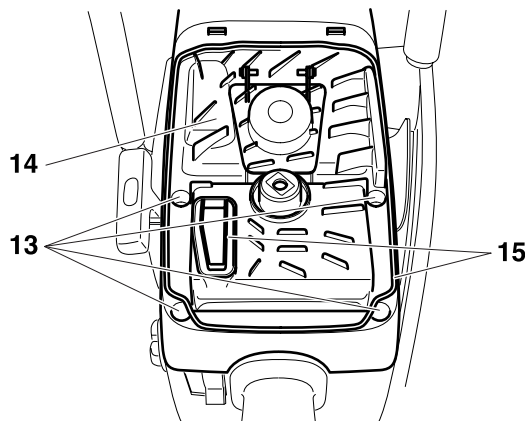


Turn the cover lock (11) to the "Unlocked"  position and carefully remove the filter cover (12).

There are two O-rings (15) between the filter cover (12) and the air filter hood (14).



Remove screws (13) and take off the cover (14).
Clean the O-ring (15) with a brush and inspect for damage.

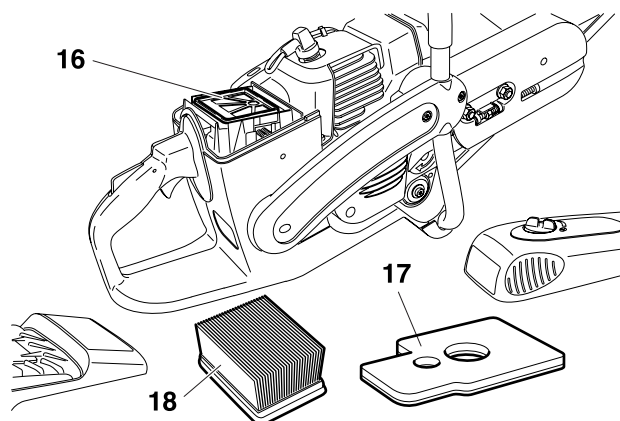


Take the pre-filter (foam, 17) out of the filter cover.
Pull the air filter insert (paper cartridge, 18) out of the cover.
Remove the inner filter (16) from the intake opening.

Note:

Do not allow dirt to get into the carburetor!

Switch the combination switch to "Choke" or cover the carburetor with a clean cloth.



CAUTION: Turn off the engine before cleaning the air filter! Never clean out the air filter with compressed air! Do not clean the pre-filter and inner filter with fuel.

The service life of the engine depends on the condition and regular maintenance of the filter elements. Failure to perform maintenance and cleaning at the prescribed intervals will cause increased wear inside the engine!

If the air filter becomes damaged, replace immediately! Pieces of cloth or large dirt particles can destroy the engine! Do not work in dusty conditions when it can be avoided! The fine dust generated when dry-cutting concrete and stone is hazardous to the health of the operator and also shortens the service life of the engine. Whenever possible, wet-cut with water when working in concrete and stone, to bind the dust.

Pre-filter (dry foam)



Only for models DPC6410 - 7321

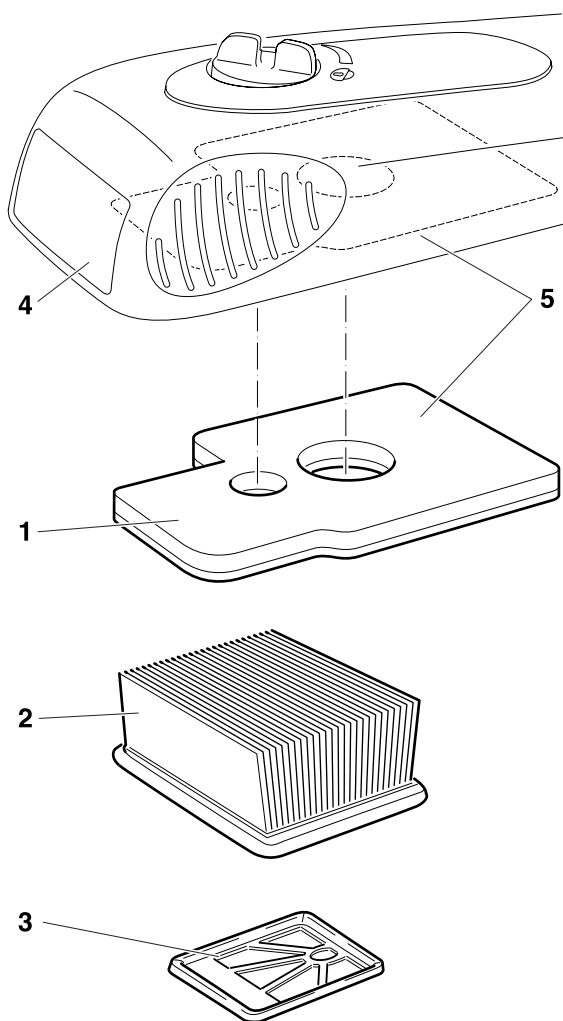
If the pre-filter (1, Order No. 326 173 080) is dirty, wash it out in lukewarm water with standard dishwashing liquid or MAKITA filter cleaner (Order No. 980 008 627). If using MAKITA filter cleaner, proceed as described after the text section "Cleaning".

Let the pre-filter **dry thoroughly**.

NOTE: The pre-filter must be cleaned daily, or several times daily if working under dusty conditions. If cleaning is not possible on-site, have spare pre-filters on hand. Replace the pre-filter at least every 25 operating hours.

To improve filtration effectiveness, the pre-filter can be wetted with air-filter oil. Before adding air-filter oil, carefully wash the filter with air-filter cleaner. Care for the oiled air filter as described for DPC8111 and DPC8112.

To insert the pre-filter in the filter cover, position it so it fits the space in the cover and then press it in (5). The pre-filter must fit completely and cover all parts of the filter space, without leaving any spaces unfiltered.



Pre-filter (foam with air-filter oil)



Only for models DPC8111 and 8112

Clean or replace (when cutting with high dust amounts):

- Daily
or at least every
- 4 operating hours, or
- 8 tank fillings, or
- 8 litres fuel mixture.

Clean or replace (when cutting wet, or when cutting steel):

- weekly
or at least every
- 25 operating hours, or
- 50 tank fillings, or
- 55 litres fuel mixture.

Cleaning: Cleaning: Rinse off coarse dirt in running water.

Knead a capful MAKITA filter cleaner (Order No. 980 008 627) into the foam material of the pre-filter (1, Order No. 326 173 090) until it suds up well.

Rinse out pre-filter thoroughly in running water.

Let the pre-filter **dry thoroughly**.



In order to ensure full filtration effectiveness, air-filter oil **must** be used with the pre-filter. Wet the pre-filter with a capful (about 20 ccm) of MAKITA air-filter oil (Order No. 980 008 628, biodegradable).

Knead the pre-filter to evenly distribute the oil. Then squeeze out any excess oil.

NOTE: If using other air-filter oils, follow the manufacturer's instructions.

If cleaning is not possible on-site, have spare pre-filters on hand (Order No. 326 173 090).

To insert the pre-filter in the filter cover, position it so it fits the space in the cover and then press it in (5). The pre-filter must fit completely and cover all parts of the filter space, without leaving any spaces unfiltered.

Inner filters (all models)

Wash out the dirty inner filter (3, Order No. 394 173 020) in lukewarm soapy water with regular dishwashing liquid or MAKITA filter cleaner (Order No. 980 008 627).

Let the inner filter **dry thoroughly**.

Air filter insert (paper cartridge, all models)

The air filter insert (2, Order No. 394 173 010) filters the intake air through a very fine paper filter lamella system. For the reason the cartridge must never be washed. Clean the air filter insert once a week.

To clean the air filter insert, spread it out slightly and carefully tap it against a clean surface.

Replace the air filter insert every 100 operating hours. Replace it immediately if there is a drop in power, drop in speed, or smoke in the exhaust.

Before installing the filter system, check the intake opening to make sure no dirt particles have fallen in. If they have, remove them.

Replacing the spark plug



CAUTION:

Do not touch the spark plug or plug cap if the engine is running (high voltage).

Switch off the engine before starting any maintenance work.

A hot engine can cause burns. Wear protective gloves!

The spark plug (Order No. 965 603 021) must be replaced in case of damage to the insulator, electrode erosion (burn) or if the electrodes are very dirty or oily.

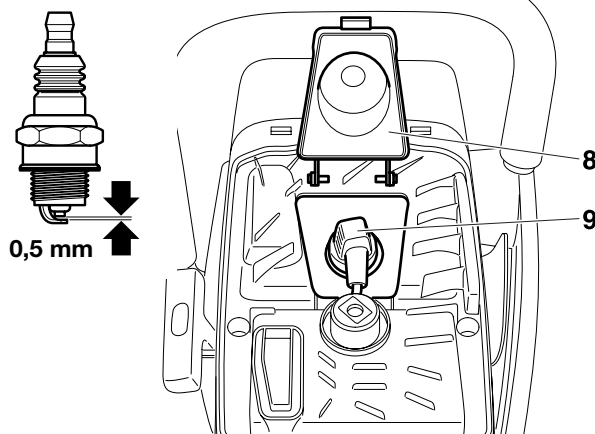
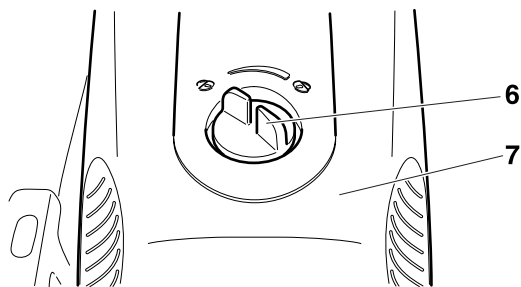
Turn the cover lock (6) to the "Unlocked" position and carefully remove the filter cover (7).

Flip up the spark-plug cover (8).

Pull the plug cap (8) off the spark plug. Use only the combination wrench supplied with the saw to remove the spark plug.

Electrode gap

The electrode gap must be .020" (0.5 mm).



Checking the ignition spark

Insert the combination wrench (9) between the hood and cylinder only as shown.

CAUTION!

Do **not** insert the combination tool into the spark plug hole, but make contact **only** with the cylinder (otherwise you may damage the engine).

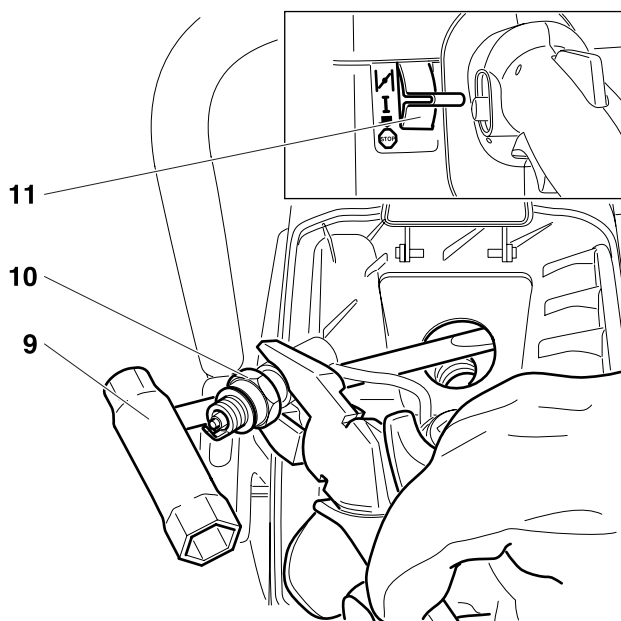
Using insulated pliers, hold the spark plug (10) (unscrewed but with the plug cap on) against the combination tool (away from the spark plug hole!).

Switch the combination switch (11) to "I".

Pull the starter cable hard.

If the function is correct, an ignition spark must be visible near the electrodes.

CAUTION: Use only BOSCH WSR 6F spark plug, CHAMPION RCJ-6Y or NGK BPMR 7A.



Replacing the suction head

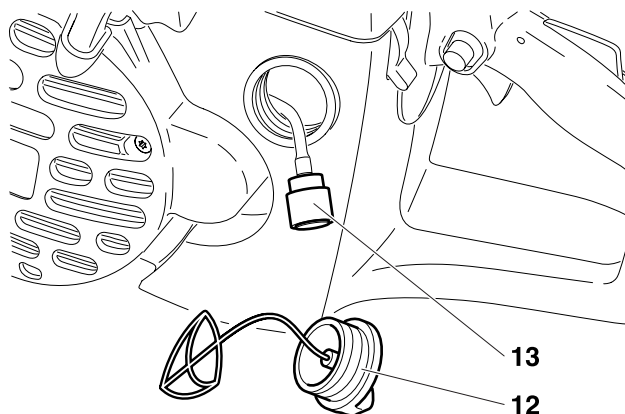
The felt filter (13) of the suction head can become clogged. It is recommended to replace the suction head once every three months in order to ensure unimpeded fuel flow to the carburetor.

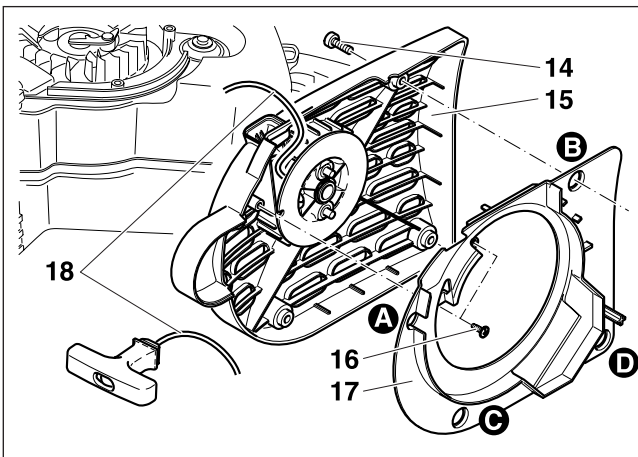
Unscrew the tank cap (12), pull the retainer out of the opening.

Empty fuel tank.

Use a wire hook to pull the suction out of the tank opening for replacement.

Caution: Do not allow fuel to come into contact with skin!

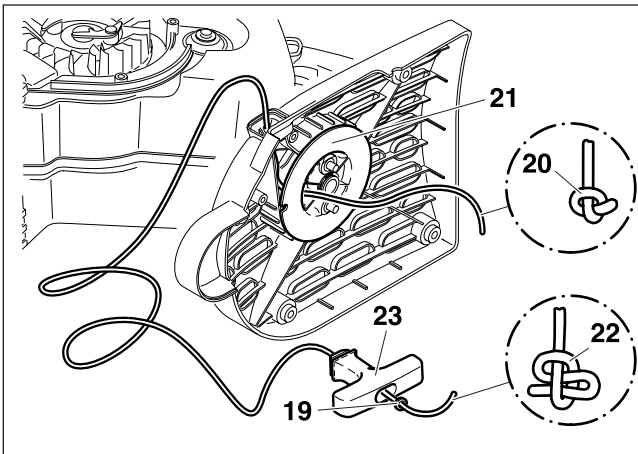




Replacing the starter cable



Remove four screws (14). Remove starter housing (15). Unscrew two screws (16) and carefully remove the air guide (17) from the starter housing (15). Proceed in the order (A - B - C - D). Remove all pieces of cable (18).

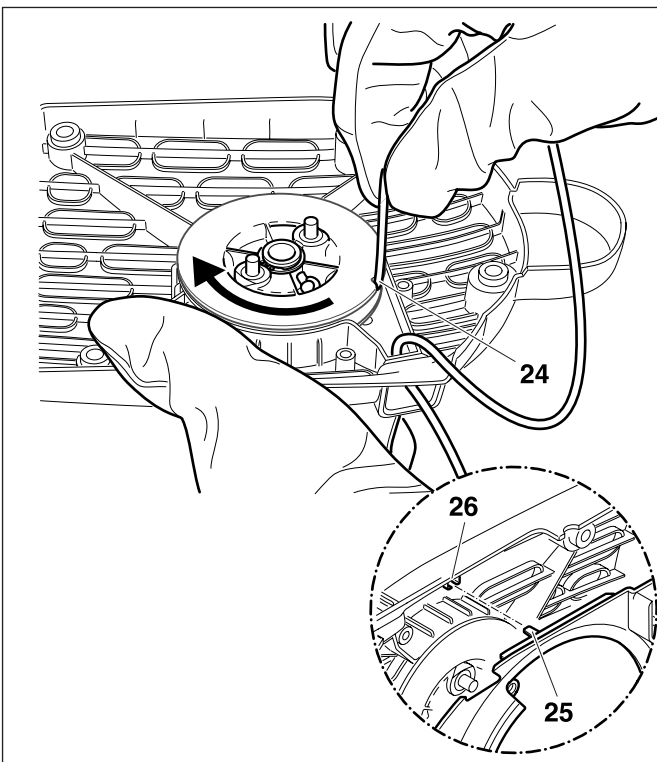


Thread in a new starter cable (dia 4.0 mm, length 1000 mm) as shown (don't forget the disc (19)) and knot both ends.

Pull knot (20) into the cable pulley (21).

CAUTION: Do not let the knots or the cable ends protrude from the outside of the cable pulley.

Pull knot (22) into the cable grip (23).



Guide the cable into the recess (24) on the cable drum and use the cable to turn the drum two turns in the direction shown by the arrow.

Holding the cable drum in your left hand, straighten out the twist in the cable with your right hand, pull the cable tight, and hold.

Release the cable drum. The drum's spring force will now wind the cable around the drum.

Repeat three times. The starter grip must be upright on the starter housing.

NOTE: With the cable pulled all the way out, it must still be possible to turn the pulley another 1/4 turn against the return spring.

CAUTION!

Injury hazard! When you pull out the starter cable hold the starter handle firmly. It will whip back if the cable pulley is released by accident.

Install the air guide (17) in reverse order. Make sure that the nub (25) fits into the slot (26) in the starter housing.

When putting the starter housing back on, it may be necessary to pull the starter handle slightly until the starting mechanism engages.

Replacing the return spring



Remove the starter housing (see "Replacing the starter cable").

Take the air guide off the starter housing (see "Replacing the starter cable").

Take off circlip (1) (circlip pliers, see "Accessories").

Remove the cable pulley (2).

Unscrew screw (3).

Evenly lever the return spring (4) out of the catch using a screwdriver or similar tool. **Be extremely careful - the return spring is under tension and can pop out of its housing!**

CAUTION! Injury hazard! Wear eye protection and work gloves when performing this work!

Replacement return springs are delivered already tensioned in the housing. **CAREFUL - the spring can pop out.** If it does, it can be put back in as shown in the diagram (**observe the direction of rotation**).

Before installing the new return spring (4) in the starter housing, grease it lightly with multipurpose grease, Order No. 944 360 000. Then position it and press it until the tabs (5) engage in the slots.

Do not grease the cable drum (2) or bearing journal!

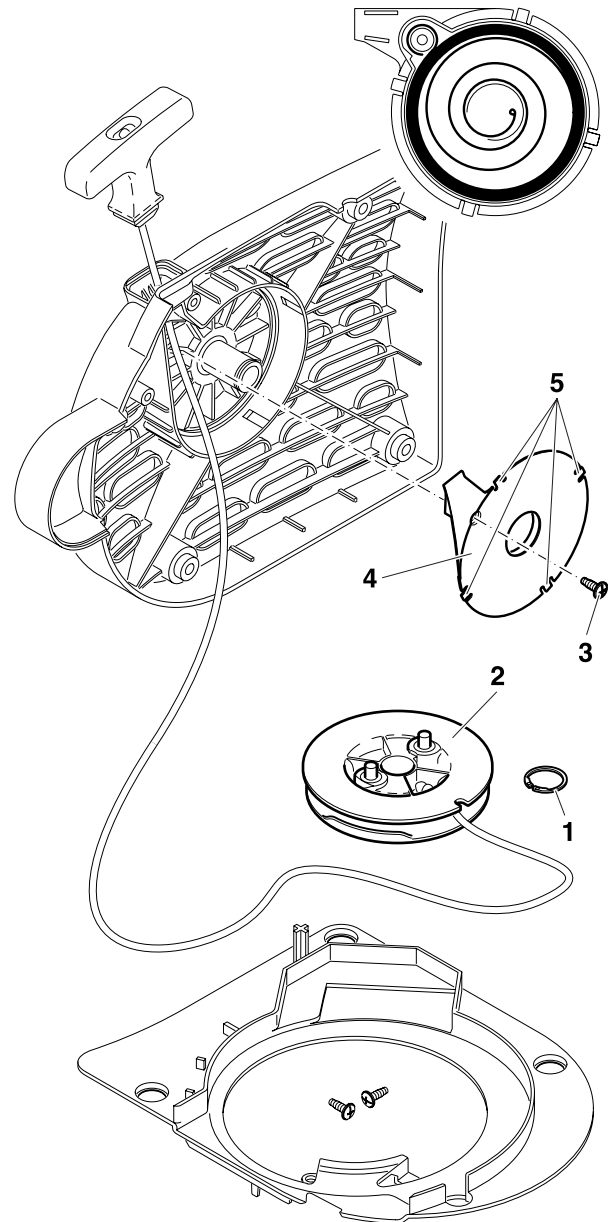
Screw in bolt (3) but do not tighten it hard.

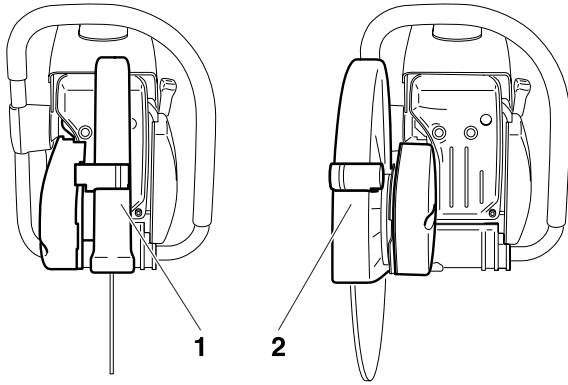
Turn the cable pulley slightly when putting it back on, until you hear it catch. Put the circlip back on.

Wind on the starter cable (see above under "Replacing the starter cable").

Reinstall the air guide (see above under "Replacing the starter cable")

When putting the starter housing back on, it may be necessary to pull the starter handle slightly until the starting mechanism engages.

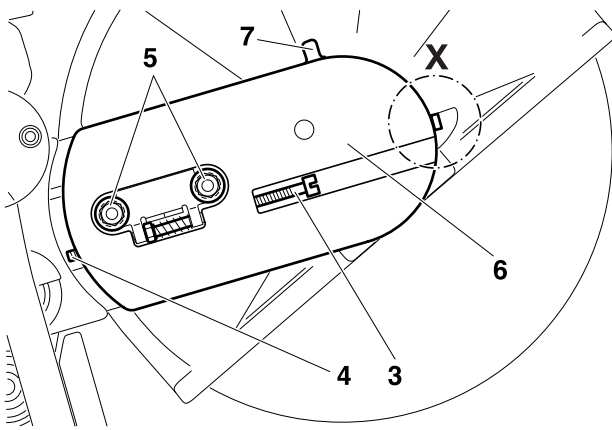




Cutting attachment in central / side position

NOTE: The Power Cut is delivered with the cutting attachment mounted in the middle position (1). For cutting up against obstacles, such as curbs or walls, the cutting attachment can be mounted to one side (2). Use this position only when actually necessary, and afterwards return the cutting attachment to the middle position

In this position the Power Cut has better balance, is easier to guide, and is not as fatiguing for the operator.



Repositioning the cutting attachment

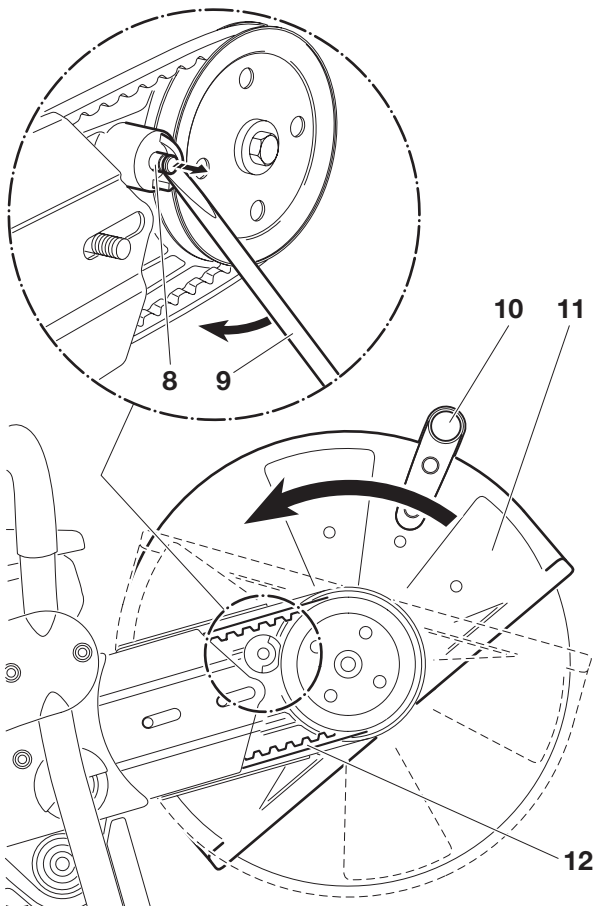


Loosen nuts (5).

Loosen the tightening screw (3) (counter-clockwise) until the end of the screw (4) is visible in the gap.

Loosen and unscrew the screw (detail X, only for DPC8112).

Unscrew the nuts (5) and remove the cover (6).



Use the combination tool (8) to lever out the stop pin (9) as shown in the illustration, until the protective hood (11) can be turned.

NOTE: The turn stop (7) is deactivated when the stop pin (8) is removed. This permits the hood (11) to be turned farther than the turn stop (7).

Unscrew the grip (10) and turn the protective hood (11) as shown in the illustration.

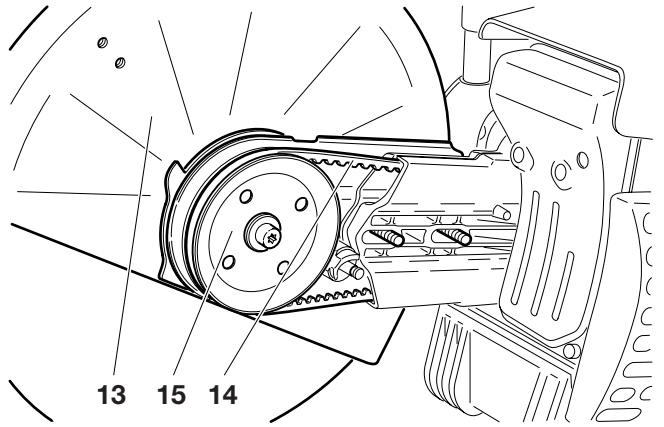
Disengage the V-belt (12) and remove the cutting attachment.

NOTE: The illustration shows the V-belt for models DPC6410 - 7321).

Press the cutting attachment (13) onto the drive arm in the side position.

Guide the V-belt (14) over the V-belt pulley (15).

NOTE: The illustration shows the V-belt for models DPC6410 - 7321).



Put the guard plate (16) on.

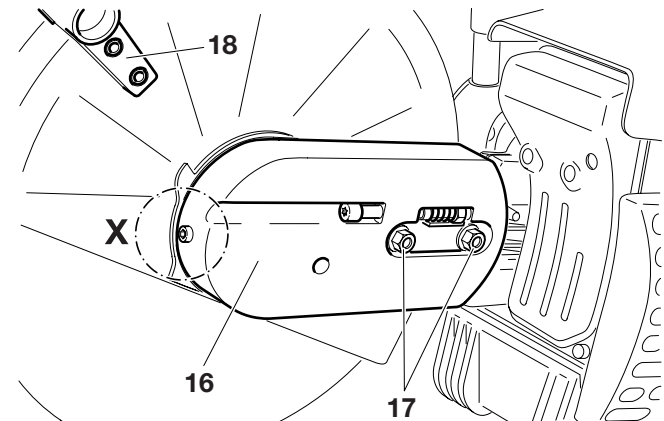
Screw on nuts (17) and tighten by hand.

To tighten the V-belt see "Tightening the V-belt / Checking V-belt tension".

Screw in and tighten the screw (detail X, only for DPC8112).

Tighten the nuts (17) firmly with the combination wrench.

Replace the grip (18) as shown.



IMPORTANT:

When you reposition the cutting attachment, the direction of rotation of the cutting wheel changes.



If a rotation direction is marked on the cutting disc, make sure the disc turns in the right direction.

Replacing/cleaning the spark arrester screen

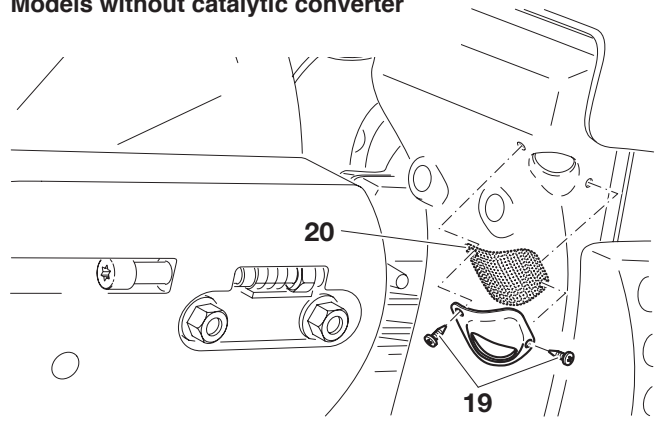


The spark arrester screen should be checked and cleaned regularly.

Models without catalytic converter

Loosen the 2 screws (19) and remove the spark arrester screen (20).

Models without catalytic converter

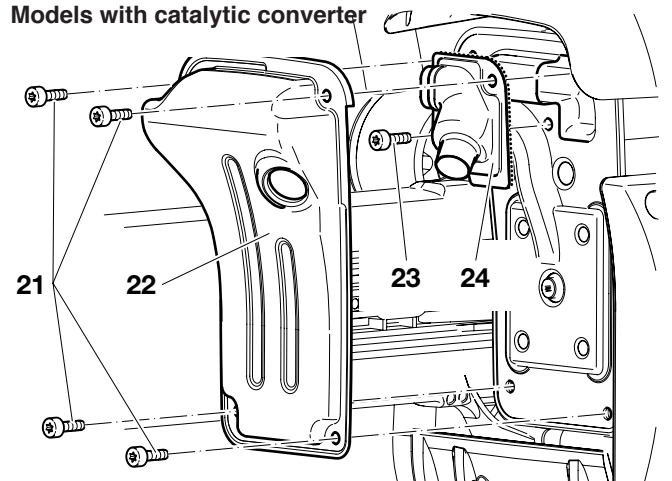


Models with catalytic converter

Unscrew and remove screws (21). Remove the front housing section of the muffler (22).

Unscrew and remove screw (23). Remove the deflector plate and spark arrester screen (24).

Models with catalytic converter



CAUTION:

Do not use sharp or pointed objects for screen cleaning. Damaged or misformed screen wires may result.

Reassembly the spark arrester screen and tighten the screws.

Information on the catalytic converter: The catalytic converter reduces the pollutant content of the exhaust.

SPECIAL ACCESSORIES

Diamond cutting discs (1)

MAKITA diamond cutting discs meet the highest demands in working safety, ease of operation, and economical cutting performance. They can be used for cutting all materials **except metal**.

The high durability of the diamond grains ensures low wear and thereby a very long service life with almost no change in disc diameter over the lifetime of the disc. This gives consistent cutting performance and thus high economy. The outstanding cutting qualities of the discs make cutting easier.

The metal disc plates give highly concentric running for minimal vibration during use.

The use of diamond cutting discs reduces cutting time significantly. This in turn leads to lower operating costs (fuel consumption, wear on parts, repairs, and last but not least environmental damage).

Guide trolley (2)

The MAKITA guide trolley makes it much easier to do straight cuts, while simultaneously enabling almost untiring working. It can be adjusted for the operator's height, and can be operated with the cutting attachment mounted in the middle or on the side.

NOTE: Before mounting the DPC8112 Power Cut on the guide trolley, it will be necessary to remove the stand (see illustration (*) in the chapter "Extract from the spare parts list").

For easier refuelling when using the trolley, we recommend adding an angled tank filler neck (3).

A depth limiter can be added for still easier and more accurate cutting. It makes it possible to maintain a precise predetermined cut depth (4).

To keep down dust and for better cutting-disc cooling, MAKITA offers several options for wetting the disc during operation.

Water tank (5)

The water tank is designed to be mounted on the guide trolley. Its high capacity makes it especially suitable for situations involving frequent site changes. For filling or for fast changing to reserve tanks, the tank can be simply lifted off the trolley.

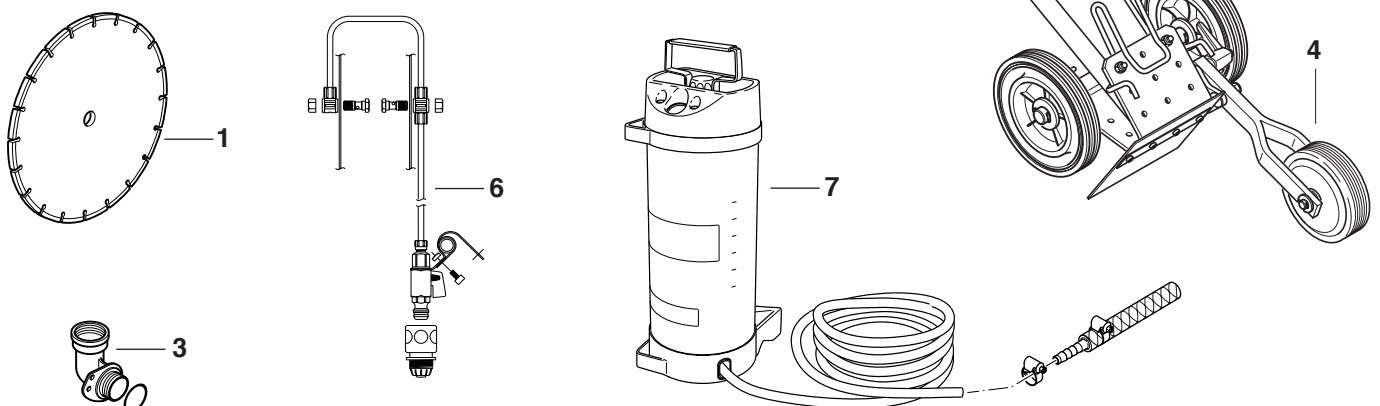
The water tank comes with all necessary connections and hoses. Mounting to the trolley and Power Cut are very fast and simple.

Mains/pressure water system (6)

The mains/pressure water system is designed to be mounted on the Power Cut. It can be used with or without the trolley, but is especially suitable for applications involving hand-held, stationary cutting. The water line has a fast-release connection, and can be fed either from a mains supply or from a pressure tank (7).

The water system comes with all necessary connections and lines. It can be quickly and easily mounted on the Power Cut.

See "Accessories" for order number.



Instructions for periodic maintenance

To ensure long life, prevent damage and ensure the full functioning of the safety features the following maintenance must be performed regularly. Guarantee claims can be recognized only if this work is performed regularly and properly. Failure to perform the prescribed maintenance work can lead to accidents!

Users of the Power Cut must not perform any maintenance work not described in this Instruction Manual. All such work must be carried out by a MAKITA service center.

			Page
General	Entire Power Cut	Clean exterior, check for damage. In case of damage, have repaired by a qualified service center immediately	
	Cutting disc	Inspect regularly for damage and wear.	7
	Clutch Protection hood	Have inspected at a service center. Clean, Check position (impact plate)	18
Before each start	Cutting disc	Inspect for damage and make sure the cutting wheel is right for the job	7
	V-belt	Check V-belt tension	15
	Protective hood	Adjust position	
	Combination switch, Safety locking button, Throttle lever	Functional check Functional check Functional check	18
	Tank cap	Check for tightness and leakages	
Every day	Air filter	Clean (if necessary more frequently); pre-filter (foam) maintenance as described above under Cleaning / changing the air filter	22-23
	Idle speed	Check (cutting disc must not turn on idle)	20
	Extreme dust	Clean filter insert (paper cartridge)	22-23
Every week	Starter housing	Clean to ensure proper air cooling	13
	Starter cable	Check for damage	25
	V-belt	Check V-belt tension, inspect for damage and wear	15, 21
	Air filter insert	Clean, replace after 100 operating hours	22-23
	Spark plug	Check and replace if necessary	24
	Muffler	Check tightness of mounting, clean or replace spark arrester screen if necessary	13 / 28
Every 3 months	Suction head	Replace	
	Fuel tank	Clean	24
Annually	Entire Power Cut	Check at an authorized service center	
Storage	Entire Power Cut	Clean exterior, check for damage. In case of damage, have repaired by a qualified service center immediately	
	Cutting disc	Remove and clean	
	Fuel tank	Empty and clean	14
	Carburetor	Run empty	

Service, spare parts and guarantee

Maintenance and repair


The maintenance and repair of modern cutoff saws and their safety-related components requires qualified technical training and a workshop equipped with special tools and testing devices.

We therefore recommend that you consult a MAKITA service center for all work not described in this instruction manual.

The MAKITA service centers have all the necessary equipment and skilled and experienced personnel, who can work out cost-effective solutions and advise you in all matters.

Please contact your nearest service center (list enclosed) or the general trading company or importer (see last page), who will gladly provide you with the address of your nearest MAKITA service center.

Spare parts

Reliable long-term operation, as well as the safety of your Power Cut, depend among other things on the quality of the spare parts used. Use only original MAKITA parts, marked 

Only original parts are from the same production line as the original unit and therefore ensure the highest possible quality of materials, dimensions, functioning and safety.

Only original spare parts and accessories guarantee the highest quality in material, dimensions and function.

Original spare parts and accessories can be obtained from your local dealer. He will also have the spare part lists to determine the required spare part numbers, and will be constantly informed about the latest improvements and spare part innovations.

Please bear in mind that if parts other than original MAKITA spare parts are used, this will automatically invalidate the MAKITA product guarantee.

We will furthermore not accept any liability damages arising from the use of non-MAKITA spare parts.

Guarantee

MAKITA guarantees the highest quality and will therefore reimburse all costs for repair by replacement of damaged parts resulting from material or production faults occurring within the guarantee period after purchase. Please note that in some countries particular guarantee conditions may exist. If you have any questions, please contact your salesman, who is responsible for the guarantee of the product.

Please note that we cannot accept any responsibility for damage caused by:

- Disregard of the instruction manual.
- Non-performance of the required maintenance and cleaning.
- Incorrect carburetor adjustment.
- Normal wear and tear.
- Obvious overloading due to permanent exceeding of the upper performance limits.
- The use of other than original MAKITA cutting discs.
- Use of force, improper use, misuse or accidents.
- Damage from overheating due to dirt on the fan housing.
- Work on the Power Cut by unskilled persons or inappropriate repairs.
- Use of unsuitable spare parts or parts which are not original MAKITA parts, insofar as they have caused the damage.
- Use of unsuitable or old oil.
- Damage related to conditions arising from lease or rent contracts.
- Damages caused by disregarding loose outer bolted connections.

Cleaning, servicing and adjustment work is not covered by the guarantee. All repairs covered by the guarantee must be performed by a MAKITA service center.

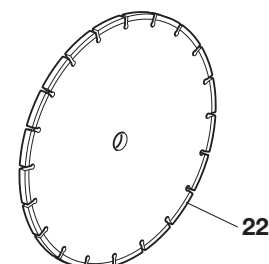
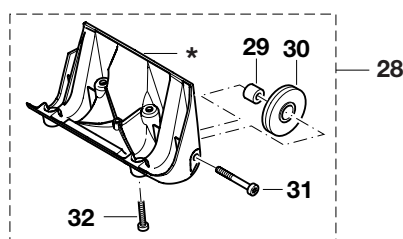
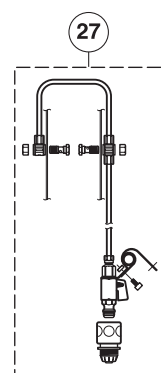
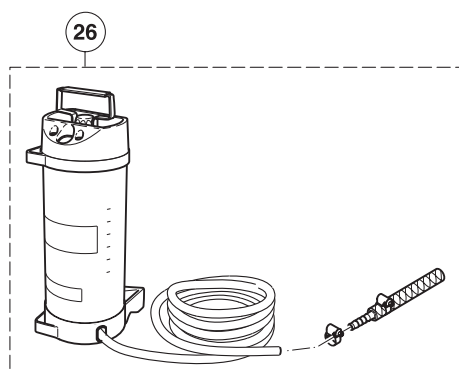
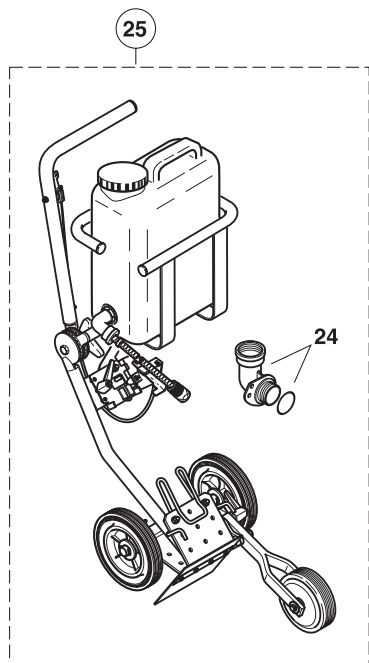
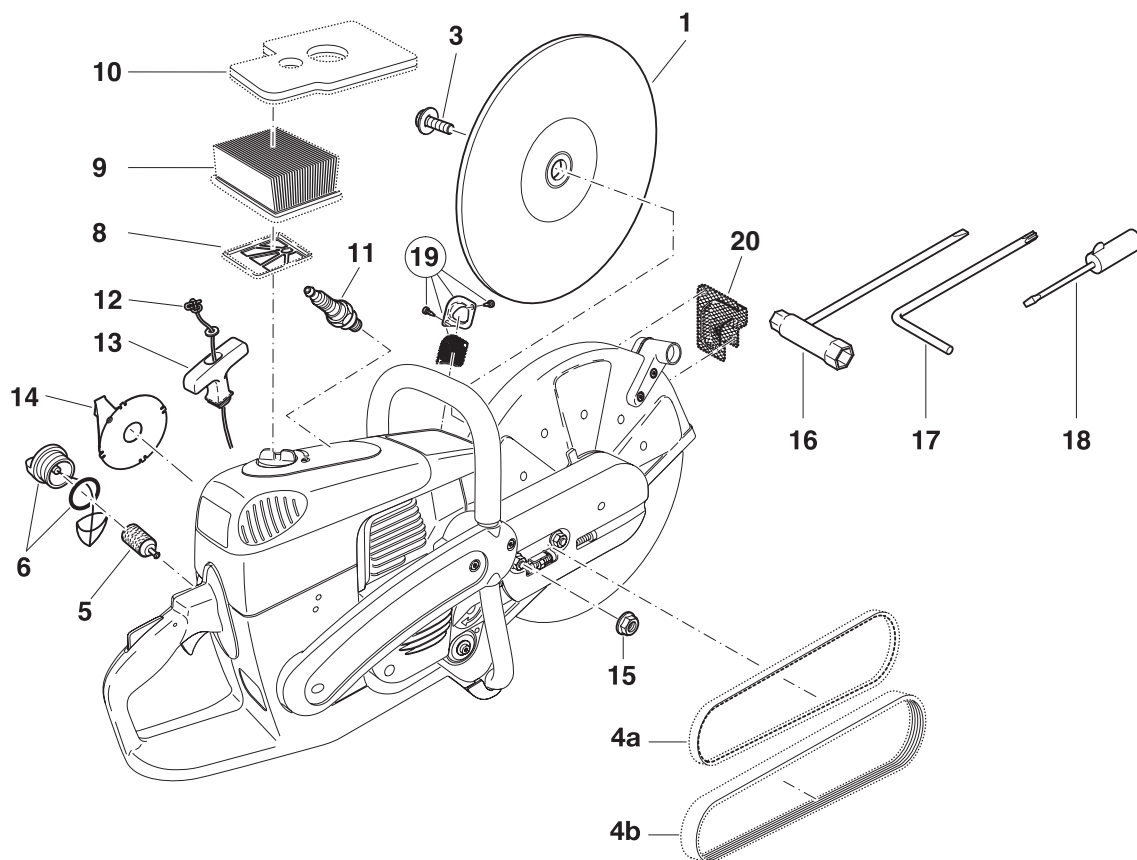
Troubleshooting

Malfunction	System	Observation	Cause
Cutting disc does not start turning	Clutch	Engine runs	Damage to clutch
Cutting disc runs in idle	Carburetor, clutch	Cutting disc runs	Incorrect idle speed, blocked clutch
Engine does not start or only with difficulty	Ignition system	Ignition spark	Malfunction in fuel supply system, compression system, mechanical malfunction. Switch on STOP, fault or short-circuit in the wiring, plug cap or spark plug defective. Choke in wrong position, carburetor defective, suction head dirty, fuel line bent or interrupted. Cylinder base packing ring defective, radial shaft packings defective, cylinder or piston rings defective Spark plug does not seal. Spring in starter broken, broken parts inside the engine.
	Fuel supply	No ignition spark	
	Compression system	Fuel tank is filled	
	Mechanical malfunction	Inside Outside Starter does not engage	
Warm start difficulties	Carburetor	Fuel tank is filled	Wrong carburetor adjustment. Ignition spark
Engine starts, but dies immediately	Fuel supply	Fuel tank is filled	Wrong idling adjustment, suction head or carburetor dirty. Tank venting defective, fuel line interrupted, cable defective, STOP switch defective. Decompression valve dirty
Insufficient power	Several systems may be involved simultaneously	Engine is idling	Air filter dirty, wrong carburetor adjustment, muffler clogged, exhaust channel in cylinder clogged, spark arrester screen clogged.

Extract from the spare parts list

Use only original MAKITA parts. For repairs and replacement of other parts, see your MAKITA service center.

DPC6410, 6411
DPC7310, 7311, 7320, 7321
DPC8111, 8112



Extract from the spare parts list

Use only original MAKITA parts. For repairs and replacement of other parts, see your MAKITA service center.

DPC6410, 6411**DPC7310, 7311, 7320, 7321****DPC8111, 8112**

Pos.	MAKITA-No.	Qty.	Denomination
Synthetic resin cutting disc			
1	966 121 150	1	Cutting disc for steel, dia. 300/20 mm (12"/0.8")
	966 141 150	1	Cutting disc for steel, dia. 350/20 mm (14"/0.8")
	966 144 150	1	Cutting disc for steel, dia. 350/25,4 mm
	966 161 150	1	Cutting disc for steel, dia. 400/20 mm
1	966 121 120	1	Cutting disc for masonry, dia. 300/20 mm (12"/0.8")
	966 141 120	1	Cutting disc for masonry, dia. 350/20 mm (14"/0.8")
	966 144 120	1	Cutting disc for masonry, dia. 350/25,4 mm (14"/1.0")
	966 161 120	1	Cutting disc for masonry, dia. 400/20 mm (16"/0.8")
3	994 280 250	1	Hex screw M8x25
4a	965 300 470	1	V-belt (for DPC6410 - 7321)
4b	965 300 490	1	V-belt (for DPC8111)
4b	965 300 480	1	V-belt (for DPC8112)
5	963 601 120	1	Suction head
6	010 114 091	1	Tank cap, compl. (fuel)
8	394 173 020	1	Inner filter
9	394 173 010	1	Air filter insert (paper cartridge)
10	326 173 080	1	Pre-filter (foam, for DPC6410 - 7321)
10	326 173 090	1	Pre-filter (foam, for DPC8111, 8112)
11	965 603 021	1	Spark plug
12	122 164 010	1	Starter cable \varnothing 4.0x1000 mm
13	001 161 020	1	Starter grip
14	394 163 020	1	Return spring in housing
15	923 208 004	2	Hexagonal nut M8
16	941 719 140	1	Universal wrench SW 13/19
17	940 827 000	1	Offset screwdriver T27
18	944 340 001	1	Screwdriver (carburetor)
19	394 174 140	1	Spark arrester screen cpl.
20	394 174 340	1	Spark arrester screen cpl. (for models with catalyst)

Accessories (not delivered with the Power Cut)

Diamond cutting disc			
22	966 221 020	1	Concrete Standard, dia. 300/20 mm (12"/0.8")
22	966 321 020	1	Concrete DiaDuran, dia. 300/20 mm (12"/0.8")
22	966 221 010	1	Asphalt Standard, dia. 300/20 mm (12"/0.8")
22	966 321 010	1	Asphalt DiaDuran, dia. 300/20 mm (12"/0.8")
22	966 241 020	1	Concrete Standard, dia. 350/20 mm (14"/0.8")
22	966 341 020	1	Concrete DiaDuran, dia. 350/20 mm (14"/0.8")
22	966 241 010	1	Asphalt Standard, dia. 350/20 mm (14"/0.8")
22	966 341 010	1	Asphalt DiaDuran, dia. 350/20 mm (14"/0.8")
22	966 244 020	1	Concrete Standard, dia. 350/25,4 mm (14"/1.0")
22	966 344 020	1	Concrete DiaDuran, dia. 350/25,4 mm (14"/1.0")
22	966 244 010	1	Asphalt Standard, dia. 350/25,4 mm (14"/1.0")
22	966 344 010	1	Asphalt DiaDuran, dia. 350/25,4 mm (14"/1.0")
-	394 228 121	1	Adapter ring, dia. 0.8"/1.0" (20/25,4 mm)
24	010 114 081	1	Angle fuel-tank filler neck, cpl.
25	700 394 353	1	Guide trolley DT2000 cpl.
26	957 802 600	1	Pressure water tank, cpl.
27	394 365 630	1	Mains water connection, cpl.
28	394 114 271	1	Stand with rollers, complete (included only with DPC8112, but without items 29, 30, 31)
29	394 114 240	2	Bushing
30	394 114 230	2	Roller
31	908 006 355	2	Star-head screw
32	913 350 164	4	Star-head screw
-	949 000 035	1	Combined can (for 5l fuel, 2.5l oil)
-	980 008 627	1	Filter cleaner (0.5l)
-	980 008 628	1	Air-filter oil (1l)

EMISSIONS COMPONENT DEFECT WARRANTY COVERAGE

MAKITA U.S.A, Inc garantit à l'acheteur au détail initial et à chaque propriétaire ultérieur que cet équipement utilitaire est conçu, construit et équipé en conformité, à la date d'achat initiale, à toutes réglementations applicables de l' U.S. Environmental Protection Agency (Agence de protection environnementale des Etats-Unis) et que le moteur est exempt de tout défaut de matériaux et de main d'œuvre susceptible de le rendre non conforme aux réglementations de l'EPA pendant sa durée de garantie.

Pour les composants figurant sous PIECES COUVERTES, le concessionnaire agréé par MAKITA fera gratuitement le diagnostic nécessaire, la réparation ou le remplacement de façon à ce que le moteur soit conforme aux réglementations applicables de l'US EPA.

PERIODE DE GARANTIE POUR LES DÉFAUTS DE COMPOSANTS D'EMISSION

La période de garantie pour ce moteur commence à la date où il a été vendu à l'acheteur initial et continue pendant une période de 2 ans.

PIECES COUVERTES

Les pièces figurant ci-dessous sont couvertes par la garantie concernant les défauts de composants d'émission. Certaines pièces figurant ci-dessous peuvent nécessiter une maintenance planifiée et sont garanties jusqu'au premier point de remplacement prévu pour cette pièce.

Système de dosage de combustible

Carburateur et pièces internes
Filtre à carburant, si applicable
Obturbateur d'étrangleur, si applicable
Système de starter, si applicable

Système d'allumage

Bougies d'allumage
Volant magnétique
Bobine d'allumage

Système à induction d'air

Plaque d'épuration d'air, filtre à air
Boîte d'épuration d'air, manchon de jonction

Unités diverses utilisées dans les systèmes ci-dessus

Tuyaux d'essence, brides et joints d'étanchéité

OBTENTION DU SERVICE DE GARANTIE

Pour obtenir le service de garantie, apportez la machine au centre de service après-vente MAKITA le plus proche ou le service SAV agréé par MAKITA et fournir la preuve d'achat indiquant la date d'achat de cette machine. Le concessionnaire SAV agréé par MAKITA effectuera les réparations ou réglages nécessaires en un temps raisonnable et vous remettra une copie de la commande de réparation. Toutes les pièces et tous les accessoires remplacés sous cette garantie deviendront la propriété de MAKITA.

CE QUI N'EST PAS COUVERT

- Dommages dus à une manipulation impropre, usage incorrect, ajustage inadéquat (à moins qu'ils étaient effectués par le concessionnaire SAV agréé par MAKITA pendant une réparation de garantie), altération, accident, défaut d'utiliser l'essence et l'huile recommandée ou le fait de n'avoir pas effectué les services d'entretien nécessaires.
- Les pièces de rechange utilisées pour les services d'entretien nécessaires
- Dommages consécutifs comme perte de temps, désagréments, perte due à la non-utilisation de la machine ou de l'équipement etc.
- Frais de diagnostic et d'inspection n'aboutissant pas à la réalisation d'un service de garantie
- Toute pièce de rechange non-autorisée, ou mauvais fonctionnement de pièces autorisées dû à l'utilisation de pièces non-autorisées.

RESPONSABILITÉS DE GARANTIE DU PROPRIÉTAIRE

En tant que propriétaire de la machine, vous êtes tenu responsable de l'exécution de la maintenance requise indiquée dans le manuel du propriétaire. MAKITA recommande de conserver toutes les quittances couvrant l'entretien de votre machine, car MAKITA ne peut pas refuser la garantie seulement à cause du manque de quittances ou parce que vous avez manqué à assurer la réalisation de toute la maintenance prévue. En tant que propriétaire de la machine, vous devez toutefois être conscient que MAKITA peut refuser la couverture de la garantie si votre machine ou une partie de celle-ci est défectueuse à cause d'abus, de négligence, de maintenance inadéquate ou de modifications non autorisées. Vous avez la responsabilité de présenter votre machine au concessionnaire SAV agréé par MAKITA le plus proche en cas de problème. Pour toute question concernant vos droits de garantie et responsabilités, n'hésitez pas à contacter le Département de Service de Garantie 1-800-4 MAKITA (462-5482).

CHOSSES À SAVOIR CONCERNANT LA GARANTIE DU SYSTÈME DE CONTRÔLE D'ÉMISSION :

MAINTENANCE ET RÉPARATIONS

Vous êtes responsable de la maintenance adéquate de la machine. Vous devez conserver tous les reçus et les rapports d'entretien concernant la réalisation de l'entretien régulier en cas de problèmes. Ces reçus et rapports d'entretien doivent être transmis à tout propriétaire suivant de la machine. MAKITA se réserve le droit de refuser la couverture de garantie si la machine n'a pas été entretenue convenablement. Les réclamations faites au titre de la garantie ne seront pas refusées, à moins que la maintenance requise n'ait pas été effectuée ou que les rapports d'entretien n'aient pas été conservés.

LA MAINTENANCE, LE REMPLACEMENT ET LA RÉPARATION D'UNITÉS DE CONTRÔLE D'EMISSION DOIVENT ÊTRE EFFECTUÉS PAR UNE PERSONNE QUELCONQUE OU TOUT ETABLISSEMENT DE RÉPARATION ; TOUTEFOIS, LES RÉPARATIONS SOUS GARANTIE DOIVENT ÊTRE RÉALISÉES PAR UN CONCESSIONNAIRE SAV AGRÉÉ PAR MAKITA. L'UTILISATION DE PIÈCES NON EQUIVALENTES SUR LE PLAN PERFORMANCE ET DURABILITÉ AUX PIÈCES AUTORISÉES PEUT PORTER ATTEINTE À L'EFFICACITÉ DU SYSTÈME DE CONTRÔLE D'EMISSION ET PEUT AVOIR UNE IMPORTANCE SUR LE RÉSULTAT D'UNE RECLAMATION FAITE AU TITRE DE LA GARANTIE.

Si des pièces autres que celles agréées par MAKITA sont utilisées pour des remplacements d'entretien ou pour la réparation de composants concernant le contrôle d'émission, vous devez vous assurer que ces pièces sont garanties par leur constructeur comme étant équivalentes aux pièces autorisées par MAKITA dans leur performance et durabilité.

COMMENT FAIRE UNE RÉCLAMATION

Toutes les réparations tombant sous cette garantie limitée doivent être effectuées par un concessionnaire SAV autorisé par MAKITA. Au cas où une pièce relative aux émissions s'avère être défectueuse pendant la durée de garantie, vous devez prévenir le Département de Service de Garantie 1-800-4 MAKITA (462-5482) et vous serez informé par le concessionnaire garantie SAV ou des prestataires de service où la réparation sous garantie peut être effectuée.

Nous vous remercions de votre confiance!

La découpeuse moderne de MAKITA vous a convaincu à l'achat. Comme des tronçonneuses MAKITA, les découpeuses MAKITA sont équipées de moteurs haute puissance spécialement construits à cet effet présentant un rapport puissance / poids excellent, donc une puissance moteur élevée pour un poids faible. Autres avantages des découpeuses MAKITA:

- construction robuste et haute fiabilité.
- allumage électronique nécessitant aucun entretien, protégé hermétiquement contre la poussière et l'humidité.
- amortissement des vibrations selon le système 2 masses MAKITA (D2M) garantissant un travail sans fatigue même pour un appareil portatif.
- Système de filtre à air à cinq niveaux pour un fonctionnement fiable même en cas d'important dégagement de poussières.
- deux possibilités de montage du disque à découper: en position moyenne pour le balancement optimal de l'appareil portatif ou en position latérale pour des coupes effectuées près de murs ou en bordures de routes ou horizontal directement au-dessus du sol.
- accessoires complets en disques à découper à liant en résine synthétique et revêtus de diamant ainsi que chariots de guidage avec collecteurs de poussières et différents systèmes d'amenée d'eau vers le disque à découper.

Dans l'appareil ont été observés les droits de protection suivants:

US 08510690, SE 95027298, SE 95027306, IT 95000653, IT 95000654, GBM 9412558, GBM 9412559.

Notre plus grande attente est que vous soyez un client MAKITA satisfait.

Afin de garantir en permanence un fonctionnement optimal de votre découpeuse MAKITA et d'assurer votre sécurité personnelle, nous vous demandons de:

Lire attentivement ce manuel d'instructions et de sécurité avant la première mise en route et veuillez observer avant tout les prescriptions de sécurité! La non-observation de ces instructions risque d'entraîner des blessures mortelles!



ATTENTION!

Certaines poussières produites pendant le décapage au sable, le sciage, l'affûtage, le perçage et pendant d'autres travaux de coupe de matériaux, contiennent des substances chimiques qui peuvent causer le cancer, des difformités de naissance ou d'autres conséquences ultérieures dues à la concentration dans le corps (Californie, Etats-Unis).

Quelques exemples de ces substances chimiques:

- plomb provenant de peintures à base de plomb
- silicate cristallisé venant de briques, du ciment et d'autres produits de maçonnerie
- arsenic et chrome provenant de bois traité chimiquement

Le risque dépend de la fréquence des travaux indiqués avec ces substances chimiques. Pour réduire votre exposition à ces substances chimiques: Ne travailler uniquement que qu'à des endroits bien aérés, et avec l'équipement de protection approuvé tel que le masque anti-poussières conçu pour filtrer les micro-particules.

Seulement pour DPC7310, 7311, 7320, 7321: La période de conformité relative aux émissions indiquée sur le label de conformité à la réglementation relative aux émissions indique le nombre d'heures de service pendant lesquelles le moteur s'est avéré répondre aux exigences d'émissions nationales. Catégorie C=50 heures, B=125 heures, et A=300 heures.

Sommaire	Page
Emballage	35
Etendue de la fourniture	36
Symboles	36

INSTRUCTIONS DE SÉCURITÉ

Utilisation conforme aux prescriptions	37
Instructions générales	37
Équipement de protection personnel	37-38
Produits de fonctionnement /Remplissage des réservoirs	38
Mise en route	38
Disques à découper	39
Rebond (klickback) et freinage	40
Comportement et technique de travail	40
A observer impérativement en cas d'utilisation de disques à découper en résine synthétique	41
Découper les métaux	41
Découper pierre, béton, amiante ou asphalte	41-42
Transport et stockage	42
Maintenance	43
Premier secours	43
Élimination des déchets et protection de l'environnement ..	43
Caractéristiques techniques	44
Désignation des pièces	45

MISE EN ROUTE

Montage du disque à découper	46
Tendre la courroie / Contrôler la tension	47
Montage du système à eau sous pression	47-48
Carburants / ravitaillement	48-49
Démarrer le moteur	50
Démarrage à froid	50
Démarrage à chaud	51
Arrêter le moteur	51
Réglage du carburateur	52

TRAVAUX DE MAINTENANCE

Remplacer la courroie	53
Nettoyer le capot de protection	54
Nettoyer / remplacer le filtre à air	54-55
Remplacement de bougie	56
Remplacement de la crépine d'aspiration	56
Remplacement du cordon de lancement	57
Remplacement du ressort de rappel	58
Indications de maintenance et d'entretien périodiques ...	62

Dispositif de coupe en position médiane /

position extérieure	59
Démonter le dispositif de coupe	59-60
Changement / nettoyage du pare-étincelles	60

ACCESSOIRES SPECIAUX

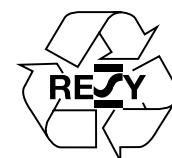
Disques à découper au diamant, chariot de guidage, réservoir à eau et conduite d'eau sous pression	61
Service d'atelier, pièces de rechange et garantie	62-63
Recherche de pannes	63
Extrait de la liste des pièces de rechange	64-65
Accessoires	65

Liste d'ateliers spécialisé (voir annexe)

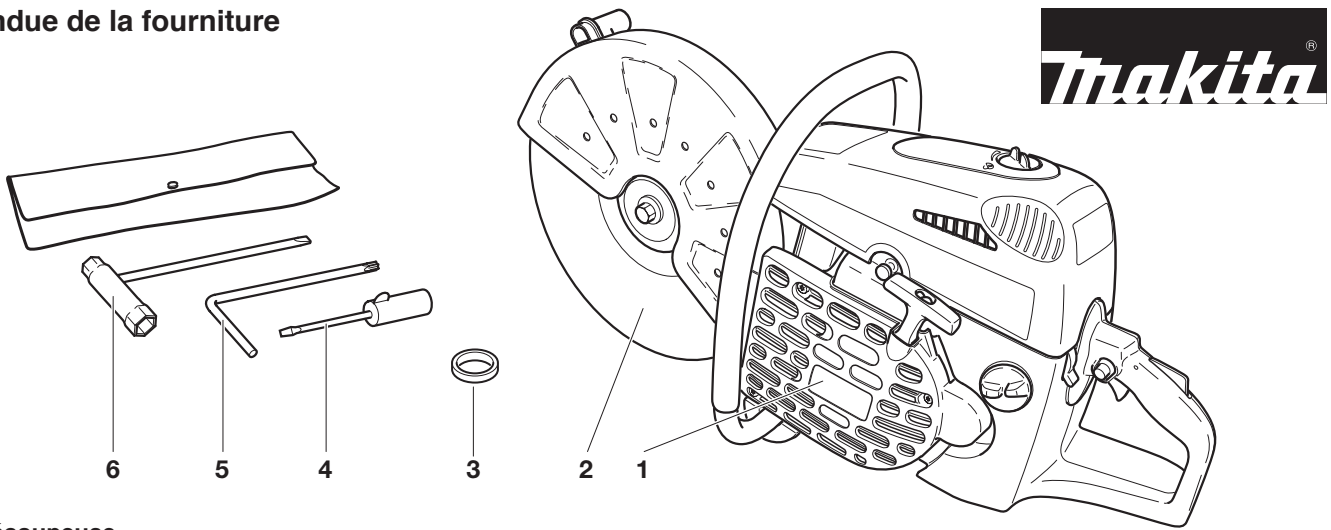
Emballage

Votre découpeuse MAKITA est emballée dans un carton pour éviter tout dommage durant le transport.

Les cartons sont des matières premières recyclables, ils peuvent donc être remis dans le cycle de la matière première (réutilisation des vieux papiers).



Etendue de la fourniture



1. Découpeuse
2. Disque à découper
3. bague d'adaptation 0.8"/1.0" (pas toujours fournie, en fonction du pays)
4. Tournevis (pour carburateur)
5. Tournevis coudé
6. Outillage de montage 13/19
7. Notice d'emploi (sans illustration)

Si un des composants indiqués ici ne devait pas être dans la fourniture, veuillez vous adresser à votre vendeur!

Symboles

Vous rencontrerez les symboles suivants sur l'appareil et dans les instructions d'emploi:

	Lire instructions d'emploi et suivre les consignes de sécurité et d'avertissement!		Ne jamais utiliser de lames de scie circulaires, de lames à plaquettes de carbure ou de lames à couper le bois!
	Danger et attention particuliers!		Commutateur combiné Marche/Arrêt (E/S), starter
	Interdit!		Verrouillé / Déverrouillé
	Porter un casque, une protection pour les yeux, la bouche et les oreilles!		Appuyer sur la soupape de décompression
	Porter des gants de protection!		Démarrer le moteur
	Porter l'appareil de respiration!		Marche hivernale
	Emission dangereuse de poussières et/ou de gaz!		Arrêter le moteur!
	Risque d'incendie par la projection d'étincelles!		Attention, Rebond (kickback)!
	Interdiction de fumer!		Mélange carburant
	Pas de feu ouvert!		Premier secours
	Sens de rotation du disque à découper		Ne touchez pas les surfaces chaudes!
	Attention: vitesse périphérique max. de la disque à découper 80 m/s!		
	Dimensions du disque à découper		

INSTRUCTIONS DE SÉCURITÉ

Utilisation conforme aux prescriptions

Découpeuse

La découpeuse ne doit être utilisée en plein air que pour découper / tronçonner des matériaux adéquats au moyen du disque à découper autorisé pour l'appareil.

Méthode de travail non-autorisée :

Les disques à découper de la découpeuse ne doivent pas être utilisés pour affûter (attaque du matériau avec la surface latérale du disque à découper). Le disque à découper risque de se casser !

Il est interdit de monter des lames de scie circulaires, de lames à plaquettes de carbure ou de lames à couper le bois etc. sur la découpeuse.

Utilisateurs non-autorisés :

Les personnes qui ne se sont pas familiarisées avec le manuel d'utilisation, les enfants et adolescents, et les personnes sous l'effet de l'alcool, de drogues et de médicaments ne sont pas autorisées à utiliser l'appareil.

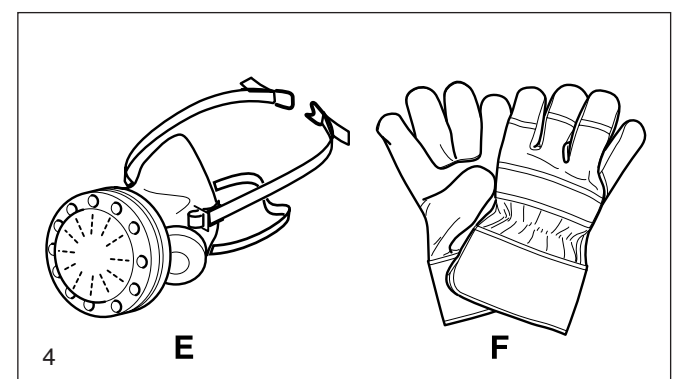
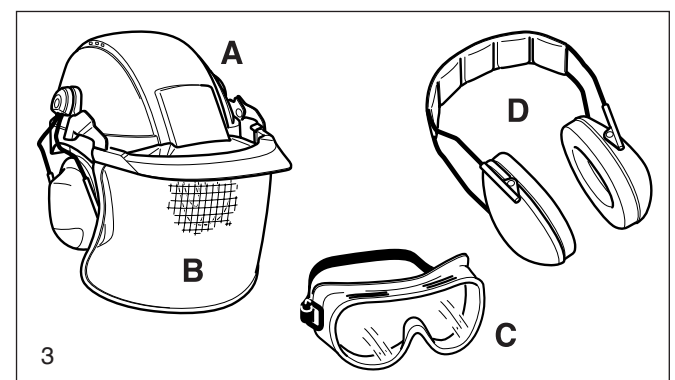
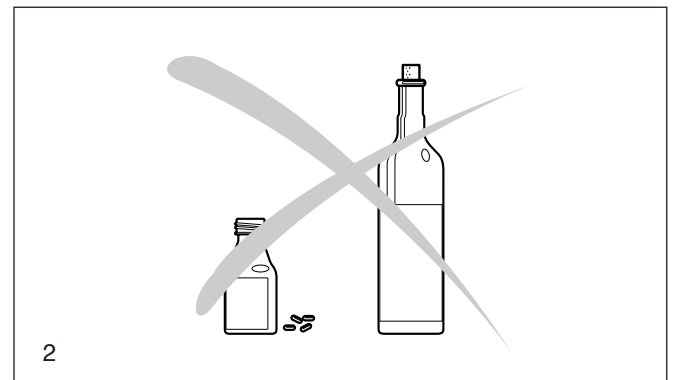
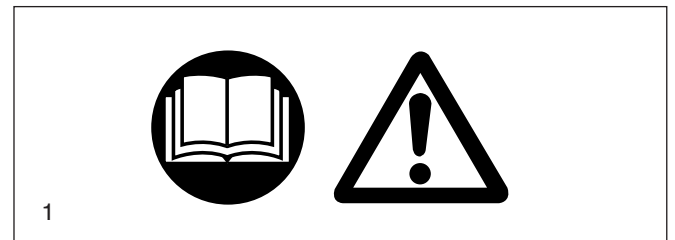
Instructions générales

- **Pour pouvoir manipuler l'appareil en toute sécurité, l'utilisateur devra lire impérativement les présentes instructions d'emploi (même si celui-ci a déjà travaillé avec une découpeuse) de manière à se familiariser avec le maniement de cette découpeuse.** Par une utilisation inadéquate, des serveurs insuffisamment informés et formés présentent un danger pour eux-mêmes et pour d'autres personnes.
- Ne prêter uniquement la découpeuse qu'à des utilisateurs ayant déjà manipulé une découpeuse. Les instructions d'emploi doivent être transmises à cette fin.
- Nous conseillons aux utilisateurs novices de consulter un spécialiste de manière à se familiariser avec les caractéristiques de la découpe assurée par moteur.
- Les enfants et adolescents âgés de moins de 18 ans ne sont pas autorisés à se servir de la découpeuse. Les adolescents au-dessus de 16 ans sont exemptés de cette interdiction que, si pour des besoins de formation, ils sont sous la direction d'un professionnel.
- Le travail avec la découpeuse exige une grande attention.
- Ne travailler qu'en bonne condition physique. Une fatigue, par exemple, peut conduire à une inattention. Il faut particulièrement faire attention à la fatigue de la fin de journée de travail. Exécuter tous les travaux tranquillement et avec prudence. Le serveur est d'autre part responsable par rapport à des tiers.
- Ne jamais travailler sous l'effet de l'alcool, de drogues, de médicaments ou d'autres substances risquant d'affecter la vue, l'aptitude ou les réflexes.
- Avoir un extincteur sous la main en cas de travaux dans une végétation facilement inflammable ou par temps de sécheresse (Danger d'incendie).
- Le découpage de l'amiante ou de substances susceptibles de dégager des gaz toxiques ne doit être effectué qu'après en avoir fait la demande et sous la surveillance des autorités compétentes en la matière ou de la personne chargée de ce travail tout en recourant aux mesures de sécurité indispensables.
- L'utilisation de dispositifs anti-poussières est vivement conseillée (cf. Chapitre Accessoires, Réservoir à eau sous pression, réservoir à eau).

Équipement de protection personnel

- **Pour éviter lors du découpage des blessures à la tête, aux yeux, aux mains, aux pieds, ainsi qu'une baisse de l'audition, il faut porter les équipements et moyens de protection corporels suivants.**
- Les vêtements doivent s'appliquer judicieusement au corps sans toutefois présenter une gêne. Les vêtements dans lesquels des grains de matériau peuvent pénétrer (par exemple pantalon à ourlet, vestes ou pantalons dont les poches sont ouvertes etc.) ne peuvent être portés notamment lors du découpage de métal.
- Ne pas porter de bijoux ou de vêtements pouvant se coincer ou gêner l'utilisateur pendant le découpage.

- Porter pour l'ensemble des travaux un **casque de protection (A)**. Le casque de protection doit régulièrement être vérifié s'il n'est pas endommagé et il doit être échangé au plus tard après 5 ans. N'utiliser que des casques agréés.
- Le **masque (B)** du casque stoppe la poussière d'abrasion et les grains de matériau. Pour éviter toute blessure des yeux et du visage, un masque ou des **lunettes de protection (C)** ou doivent être portées pendant l'utilisation de la découpeuse.
- Pour éviter des dommages auditifs, il faut porter des **moyens de protection acoustiques** personnels appropriés (casque protège-oreilles (D), capsules, ouate à la cire, etc.). Analyse par bandes d'octaves sur demande.
- Le découpage à sec de matériau pierreux produisant de la fine poussière (pierre, béton etc.) exige impérativement le port d'un **appareil respiratoire (E)** conforme aux prescriptions.
- Des **gants de travail (F)** en cuir résistant font partie de l'équipement réglementaire et doivent être portés en permanence lors de l'utilisation de la découpeuse.



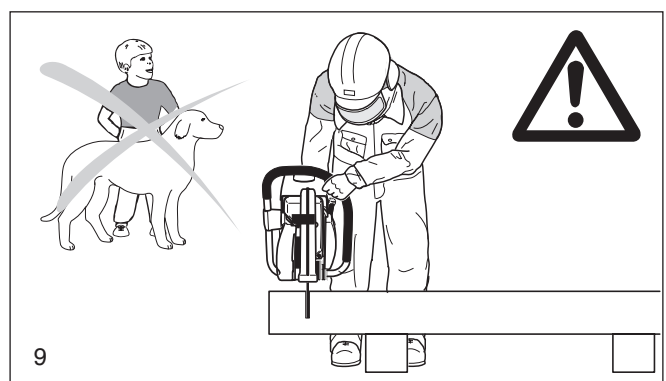
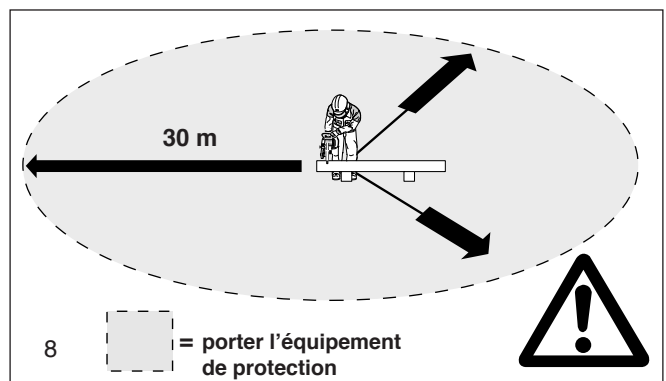
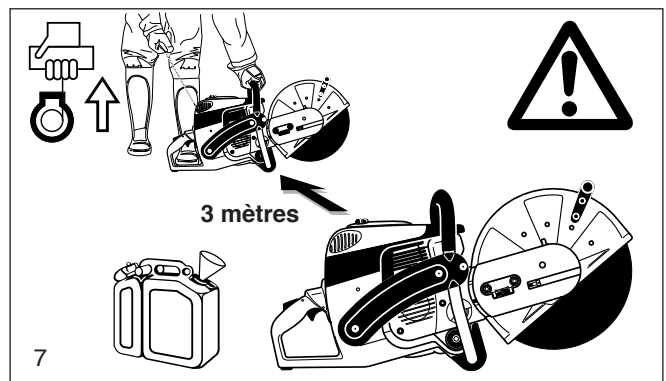
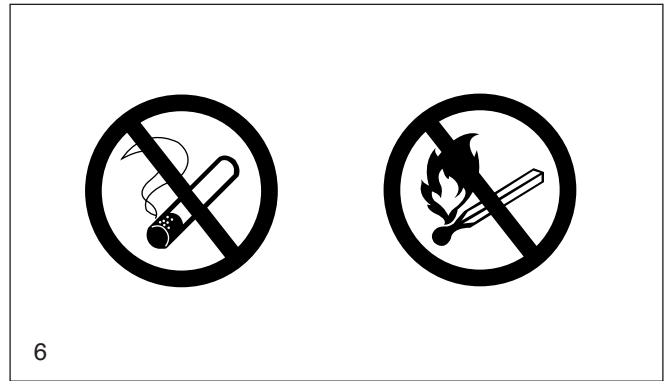
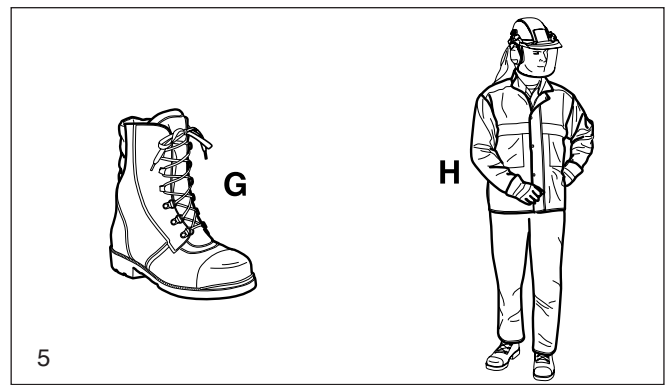
- Des **gants ou des bottes de sécurité** (G) à semelle crantée, une casquette en acier et un protège-jambe doivent être portés pendant l'utilisation de la découpeuse. Les chaussures de sécurité avec des recouvrements anti-coupure offre une protection contre des blessures par coupure et assurent une assise sûre.
- Toujours porter pour tous les travaux une **salopette de travail** (H) en matière solide et suffisamment ignifuge.

Produits de fonctionnement / Remplissage des réservoirs

- Avant de remplir le réservoir d'essence, chercher un endroit sûr et plat. **Remplir le réservoir sur un échafaudage ou une pile de matériaux ou objet similaire est interdit!**
- Avant de remplir le réservoir d'essence de la découpeuse, arrêter le moteur.
- Interdiction de fumer, et éviter tout feu ouvert à proximité (6).
- Avant de remplir le réservoir, laisser refroidir l'appareil.
- Les carburants peuvent contenir des substances assimilables à des dissolvants. Eviter de rentrer en contact avec la peau et avec les yeux avec les produits pétroliers. Lors du remplissage, porter des gants (non pas les gants de travail). Changer souvent de vêtements de protection et les nettoyez. Ne pas respirer des vapeurs de carburants. La respiration de vapeurs de carburant peut entraîner des dommages corporels.
- Ne jamais répandre du carburant. Si du carburant a été versé à côté, nettoyer immédiatement la découpeuse. Ne pas mettre le carburant en contact avec les vêtements. Si du carburant est déversé sur les vêtements, changer immédiatement de vêtement.
- Veillez à ce que du carburant ne pénètre dans le sol (protection de l'environnement). Utiliser des substrats adéquats.
- Ne pas faire le plein dans un local fermé, les vapeurs des carburants s'amassent au sol (danger d'explosion).
- Bien fermer les couvercles du réservoir à essence.
- Pour démarrer la découpeuse, changer d'emplacement (au moins 3 mètres de l'endroit où le remplissage a été effectué) (7), non pas dans la prolongation de la zone de pivotement (sens de projection des étincelles) du disque à découper.
- Les carburants ne peuvent pas être stockés infiniment. N'acheter que la quantité nécessaire couvrant un temps de marche prévisible.
- Lorsque vous effectuez le mélange essence-huile, remplir d'abord l'huile et ensuite l'essence dans le bac de mélange.
- Ne transporter et ne stocker le carburant que dans des nourrices agréées et portant les indications nécessaires.
- **Ne jamais laisser le carburant à la portée des enfants.**

Mise en route

- **Ne jamais travailler tout seul, en cas d'urgence quelqu'un doit être à proximité** (portée de la voix).
- Respecter les règlements en matière de protection contre les bruits lors de l'utilisation de la découpeuse dans des zones d'habitation.
- **La découpeuse ne doit pas être utilisée à proximité de matières combustibles ou de gaz explosifs. Il y a un risque de formation d'étincelles.**
- S'assurer que les personnes se trouvant à moins de 30 m de l'emplacement de travail (par ex. aides) portent un équipement de protection (voir „Equipement de protection personnel“) (8). Les enfants ou autres personnes doivent respecter une distance minimale de 30 m de la zone de travail de la découpeuse. Attention également aux animaux (9).
- **Avant le début du travail, contrôler le fonctionnement parfait et l'état réglementaire de fonctionnement des sécurités de la découpeuse.**
Vérifier notamment l'état du disque à découper (remplacer immédiatement les disques fissurés, endommagés ou déformés), contrôlez si le disque à découper est bien monté, le capot de protection enclenché, la protection de courroie bien fixée, la courroie tendue correctement. Vérifiez également si le levier de gaz, le verrouillage de levier de gaz et le commutateur combiné fonctionnent correctement et si les poignées sont propres et sèches (Marche/Arrêt (E/S), starter). Effectuer un contrôle visuel pour vérifier s'il y a des détériorations et d'éventuelles saletés dans la zone du silencieux.
- Ne mettre la découpeuse qu'en service après l'avoir complètement assemblée et vérifiée. En principe, la découpeuse ne doit être utilisée qu'à l'état complètement monté.



Disques à découper

- Le capot de protection doit toujours être monté. Ne remplacer le disque à découper que lorsque le moteur est éteint!
- Il y a deux types de disques à découper:
 - pour le métal (coupe à chaud)
 - pour le béton (coupe à froid)

Attention! Ne jamais utiliser de lames à plaquettes de carbure, de lames de scie circulaire ou de lames à couper le bois. Risque de blessure par rebond ou projection de fragments arrachés ou de plaquettes de carbure détachées de la lame. Ne jamais utiliser la tronçonneuse à disque pour travailler le bois ou les matériaux dérivés du bois.

REMARQUE: Lorsque vous utilisez des disques à découper au diamant, respecter impérativement la marque du sens de rotation indiquée. Les disques à découper au diamant ne conviennent pas pour le traitement du métal.

- Les disques à découper ne sont conçus qu'en vue d'un effort radial pour la coupe. Il est interdit d'utiliser les faces latérales du disque pour poncer. Attention: risque de rupture! (10)

Attention! Il est interdit de changer de sens (rayons inférieurs à 5 m (16 feet)), d'appuyer latéralement sur la découpeuse ou de la basculer pendant le découpage (11)!

- Les disques à découper ne doivent être utilisés que pour tronçonner les matériaux prédéfinis. Le type de disque correspondant doit être sélectionné en fonction du matériau (métal ou béton).
- Le diamètre intérieur du disque à découper doit exactement correspondre à l'arbre. Si le diamètre intérieur est plus grand, il doit être compensé avec une bague d'adaptation (disponible en option).
- Les disques à découper doivent être autorisés pour des coupes à main levée avec un diamètre de disque de 400 mm jusqu'à 3850 1/min. ou 80 m/s, avec un diamètre de disque de 350 mm jusqu'à 4370 1/min ou 80 m/s ou avec un diamètre de disque de 300 mm jusqu'à 5100 1/min. ou 80 m/s. Les disques utilisables doivent répondre aux normes EN 12413, EN 13236.
- Le disque à découper doit être en parfait état (12).

Serrer toujours la vis de fixation du disque à découper à 30 Nm sinon risque de torsion du disque.

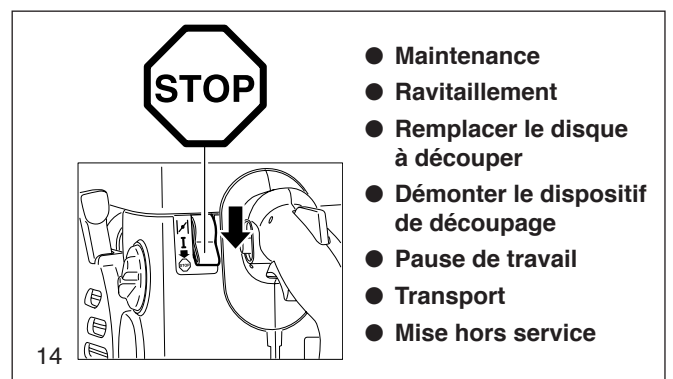
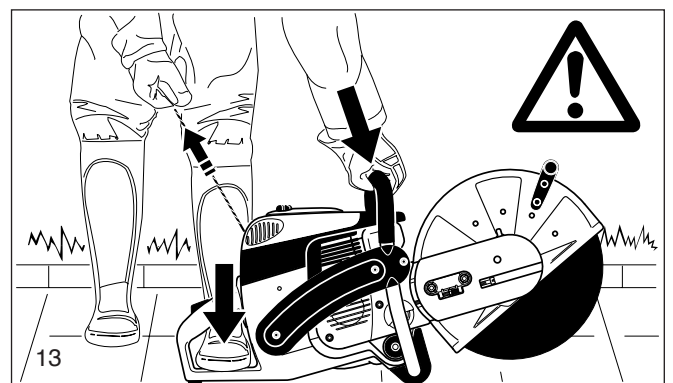
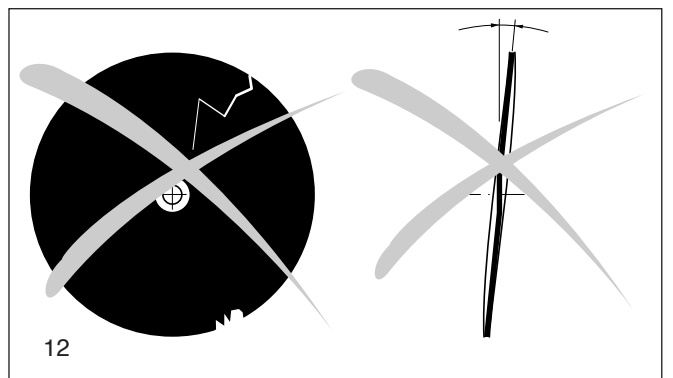
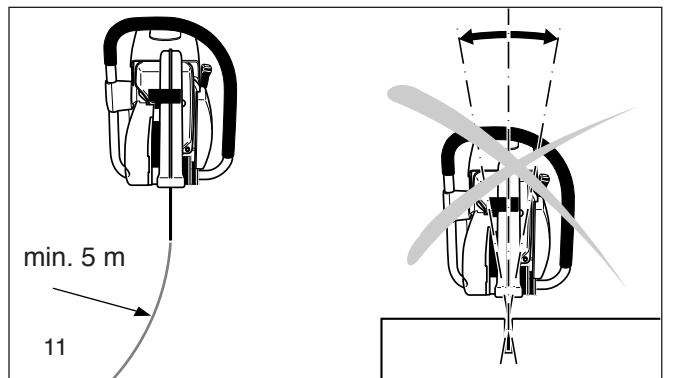
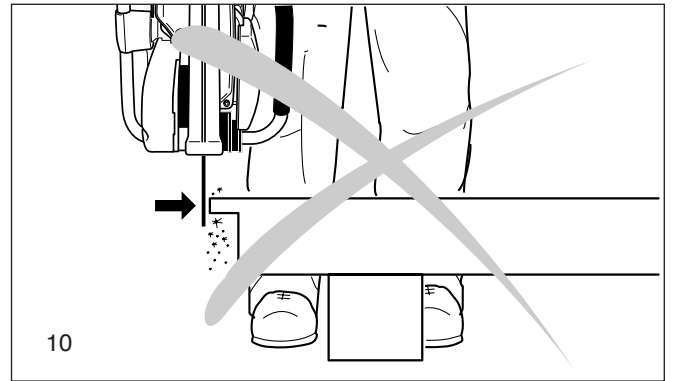
- Avant de démarrer, le guide de la découpeuse doit prendre une position stable.
- Ne démarrer la découpeuse que selon les instructions indiquées dans la notice d'emploi (13). Poser toujours le pied droit gauche la poignée et entourer la poignée avec le pouce. D'autres techniques de lancement ne sont pas autorisées.
- Lors de la mise en route, la machine doit être solidement maintenue et supportée. Pour cela, le disque à découper doit être libre.
- Si le disque à découper est neuf, il doit être testé avant le premier découpage au moins pendant 60 secondes à la vitesse maximale indiquée. Pour cela, aucune partie du corps ou personne doit se trouver dans la prolongation de la zone de pivotement du disque à découper.
- **Lors du travail, la découpeuse est à maintenir avec les deux mains.** La main droite maintient la poignée arrière, la main gauche la poignée en forme d'étrier. Bien saisir les poignées avec les pouces.
- **ATTENTION: Dès que l'accélérateur est relâché, le disque à découper tourne à vide pendant une courte durée** (effet de marche à vide).
- Il faut veiller constamment à avoir une bonne assise sûre.
- La découpeuse est à manipuler pour que les gaz d'évacuation ne peuvent pas être inspirés. Ne pas travailler dans des pièces closes ou dans des fossés profonds (risque d'intoxication).



- **Arrêter immédiatement la découpeuse lorsqu'on sent des modifications dans son comportement.**
- **Avant de vérifier la tension de la courroie, pour la retendre, remplacer le disque à découper, ou changer le montage du dispositif de découpe** (position extérieure ou médiane) **et pour recourir à toute panne, il est impératif de mettre le moteur hors service** (14).
- En cas de changement audible ou sensible dans le découpage, arrêter immédiatement le moteur et vérifier le disque à découper.
- La découpeuse doit être arrêtée pendant les pauses et à la fin du travail (14), elle doit être mise à l'arrêt de façon à ce que le disque soit libre et que personne ne soit en danger.
- Ne pas poser la découpeuse chaude dans de l'herbe sèche ou sur des objets inflammables. Le pot d'échappement rayonne

énormément de chaleur (danger d'incendie).

- **ATTENTION:** A l'issue du découpage sous arrosage, arrêter d'abord l'arrosage et ensuite laisser tourner le disque à découper pendant au moins 30 secondes de manière à faire évacuer l'eau et empêcher la corrosion.



Rebond (kickback) et freinage

- Un rebond ou freinage dangereux peut se produire en travaillant avec la découpeuse.
- Le rebond se produit lorsque la partie supérieure du disque est utilisée pour découper (15).
- La découpeuse est incontrôlée, accélérée et lancée en avant avec une grande énergie en direction du guide-découpeuse (**risque de blessure!**).

Pour éviter tout rebond, respecter les consignes suivantes:

- Ne jamais tronçonner avec le segment montré sur la figure 15! **Faites très très attention lorsque vous découpez dans des entailles!**
- Le freinage se produit quand l'entaille est comprimée (fissure ou pièce sous tension).
- La découpeuse est incontrôlée, accélérée et lancée en avant avec une grande énergie (**risque de blessure!**).

Pour éviter tout rebond, respecter les consignes suivantes:

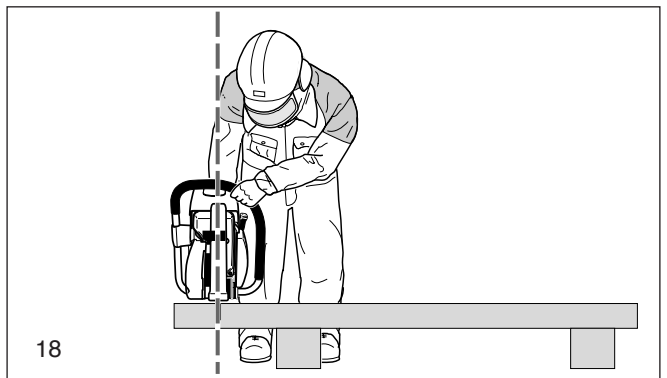
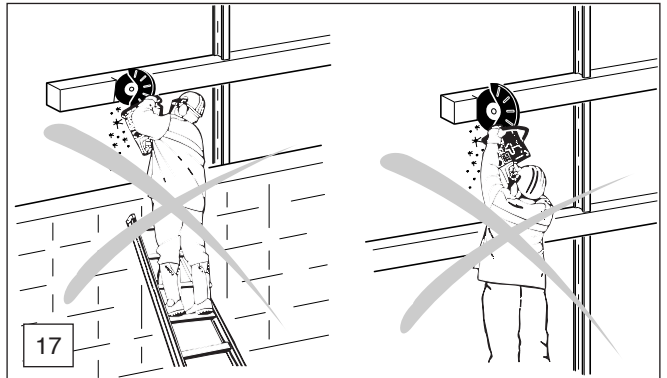
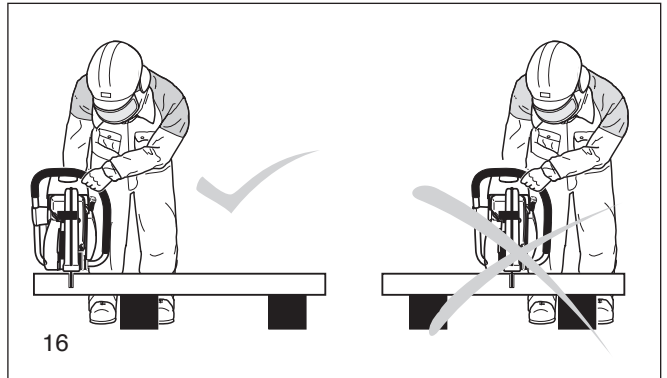
- Toujours découper et réintroduire la lame dans des entailles à plein régime.
- Toujours caler la pièce de manière à ce que l'entaille soit sous tension de traction (16) pour ne pas que le disque à découper ne coince.
- Au début du découpage, toujours approcher le disque à découper avec précaution, sans à-coups.
- Ne jamais tronçonner plusieurs pièces à la fois! Veiller à ce qu'aucune autre pièce ne soit touchée lors du découpage.

Comportement et technique de travail

- Avant de commencer à travailler, vérifier si la zone de travail ne présente aucun risque (câbles électriques, substances inflammables). Délimiter la zone de travail bien distinctement (en utilisant par exemple des panneaux d'avertissement ou des barrages quelconques).
- Utilisez la découpeuse en la tenant correctement par la poignée avant et arrière. Ne jamais laisser la découpeuse sans aucune surveillance!
- Faire fonctionner la découpeuse si possible à haut régime (cf. « Caractéristiques techniques »).
- Ne travailler que sous de bonnes conditions de visibilité et d'éclairage. Faire particulièrement attention en présence de sol glissant, d'humidité, de glace et de neige (danger de glissade).
- Ne jamais travailler sur un fondement instable. Faire attention aux obstacles dans la zone de travail (risque de trébucher). Continuellement veiller à avoir une assise solide et sûre.
- Ne jamais découper au-dessus de la hauteur d'épaule (17).
- Ne jamais découper debout sur une échelle (17).
- Ne jamais travailler avec la découpeuse sur un échafaudage.
- Ne jamais travailler trop penché en avant. Toujours fléchir les genoux en posant ou en prenant la découpeuse. Ne pas se courber.
- Conduire la découpeuse de manière à ce qu'aucune partie du corps ne se trouve dans la prolongation de la zone de pivotement du disque à découper (18).
- Les disques à découper ne doivent être utilisés que pour découper les matières prévues.
- Ne pas utiliser la découpeuse pour enlever et balayer les restes de pièces et autres objets.

Attention risque de blessure! Nettoyer la zone de coupe avant le découpage de corps étrangers tels que pierre, clous etc. Ceux-ci peuvent être projetés lors de la coupe et provoquer des blessures.

- Lors du tronçonnement de pièces, utiliser un support stable et le fixer si nécessaire pour ne pas qu'il ne glisse. La pièce ne doit pas être bloquée avec le pied ou par une autre personne.
- Les pièces rondes doivent être impérativement fixées pour ne pas qu'elles se tordent dans la coupe.
- N'utiliser qu'en cas de besoin la découpeuse portable avec dispositif de découpage en position extérieure. La découpeuse avec dispositif de découpage en position médiane a un meilleur équilibre évitant ainsi une fatigue prématurée.



A observer impérativement en cas d'utilisation de disques à découper en résine synthétique

ATTENTION:

- Les disques à découper en résine synthétique ont la propriété d'absorber l'humidité. Un déséquilibre survient dû à l'absorption d'humidité lors de la rotation rapide du disque à découper. Le déséquilibre entraîne ensuite la rupture du disque.
- Les disques à découper en résine synthétique ne doivent pas être refroidis avec de l'eau ou avec un autre liquide.
- Ne pas exposer les disques à découper en résine synthétique à une humidité de l'air trop élevée ou à la pluie!

Utiliser les disques à découper en résine synthétique seulement jusqu'à la fin de la durée de conservation minimale! La durée (trimestre/année) est incrustée sur la bague de réception du disque de réception.

EXEMPLE: 04 / 2007

Ce disque à découper peut être utilisé jusqu'au 4^e trimestre 2007 inclus en cas d'utilisation adéquate et stockage approprié.

Découper les métaux

ATTENTION!

Porter l'appareil respiratoire réglementaire!

Le découpage de matières pouvant dégager des gaz toxiques ne peut être effectué qu'après en avoir fait la demande et sous la surveillance des autorités compétentes ou de la personne en étant chargée.

ATTENTION!

Les métaux chauffent et fondent par la rotation rapide du disque à découper au point de contact. Orienter le capot de protection le plus possible vers le bas (19) pour diriger la projection d'étincelles le plus possible vers l'avant, dans le sens opposé de l'utilisateur (risque d'incendie élevé).

- Déterminer le tracé de coupe, le marquer et approcher du matériau le disque à découper tournant à vitesse moyenne et continuer à ne tronçonner à plein régime et à pression élevée que lorsqu'une rainure de guidage est entaillée.
- Couper uniquement droit et verticalement, ne pas tenir de travers, sinon le disque risque de se rompre.
- On obtient une coupe optimale et égale en tirant et en faisant aller et venir la découpeuse. Ne pas „pousser“ le disque à découper dans la matière.
- Tronçonner les barres rondes massives de préférence par étapes (20).
- Les tubes minces peuvent être simplement découpés en coupant verticalement.
- Manipuler les tubes de grand diamètre comme les barres massives. Pour éviter de tenir de travers et pour un meilleur contrôle du découpage, ne pas laisser le disque trop pénétrer dans le matériau. Toujours tronçonner à plat tout autour.
- Les disques à découper usées de faible diamètre ont au même régime moins de vitesse périphérique et coupent par conséquent moins bien.
- Tronçonner les supports en double T ou cornières par étapes, voir figure 21.
- On découpe les fers feuillards ou plaques en fer comme les tubes; tirer à plat, avec longue surface de coupe.
- Toujours entailler d'abord le matériau se trouvant sous tension (matériau buté ou emmuré) légèrement sur le côté de poussée et ensuite tronçonner depuis le côté de traction pour ne pas que le disque ne se coince. **Bloquer la pièce à découper de manière à ce qu'elle ne puisse pas tomber!**

ATTENTION:

En cas de crainte de prétension, s'attendre au rebond du matériau et assurer au préalable une possibilité de recul.

Une attention particulière est requise dans les parcs à ferrailles, sur les lieux d'accident ou en cas de piles de matériaux en désordre. Il est difficile de prévoir les réactions d'un matériau

se trouvant sous tension, en train de glisser ou de voler en éclats. Bloquer la pièce à découper de manière à ce qu'elle ne puisse pas tomber! Travailler avec la plus grande attention et avec un appareil impeccable.

Respecter les prescriptions en matière d'accidents du travail de la caisse d'assurance mutuelle compétente et de l'assurance.

Découper la pierre, le béton, l'amiante ou l'asphalte

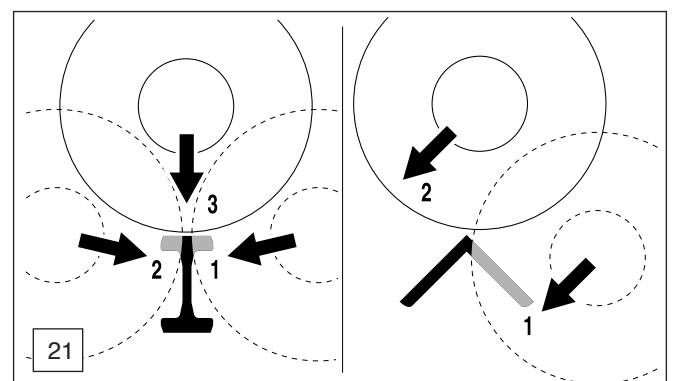
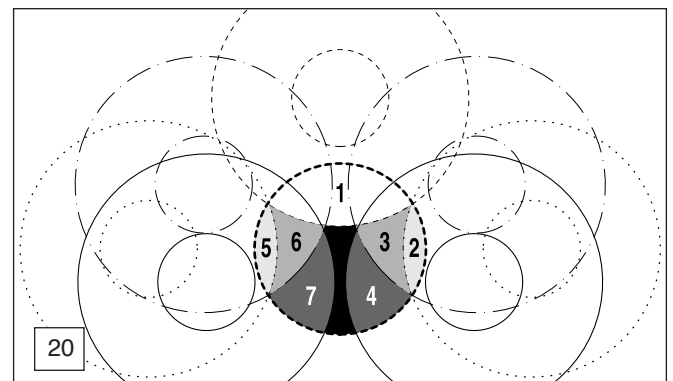
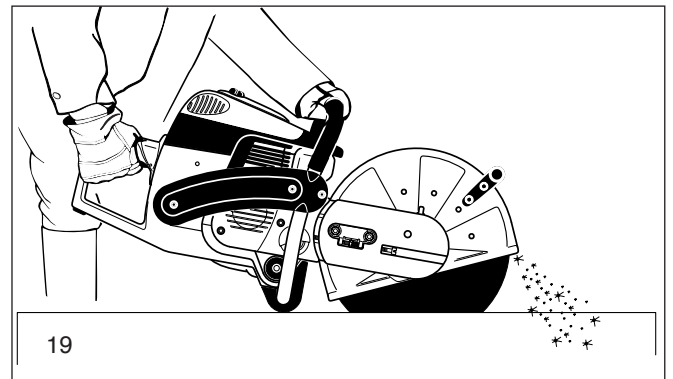
ATTENTION!

Porter l'appareil respiratoire réglementaire!

Le découpage de l'amiante ou de matières pouvant dégager des gaz toxiques ne peut être effectué qu'après en avoir fait la demande et sous la surveillance des autorités compétentes ou de la personne en étant chargée. Pour la coupe de poteaux en béton armés et précontraints, il faut se reporter aux consignes et aux normes fournies par les autorités compétentes ou par le fabriquant. Le découpage de barres d'armature doit être exécuté dans l'ordre réglementaire et en respectant les consignes de sécurité correspondantes.

REMARQUE:

L'enduit à mortier, la pierre ou le béton entraînent une très fine poussière lors du découpage. Pour prolonger la durée de vie du



disque à découper (refroidissement), pour un meilleur contrôle visuel et pour éviter un dégagement de poussière excessif, il est préférable de découper au mouillé plutôt qu'à sec. Pour cela, le disque à découper doit être arrosé d'eau de manière égale des deux côtés. Dans la gamme MAKITA, vous trouverez à toute fin d'utilisation le bon équipement pour le découpage au mouillé (voir également „ACCESSOIRES SPECIAUX“.

- Nettoyer l'endroit de la coupe en éliminant les corps étrangers tels que sable, pierres, clous etc.. **Attention: Faites attention aux câbles électriques!**

Par la rotation rapide du disque à découper, le matériau est arraché au point de contact et projeté en-dehors de la rainure de coupe. Orienter le capot de protection le plus possible vers le bas (23) pour diriger les particules de matériau découpées le plus possible vers l'avant, dans le sens opposé de l'utilisateur.

- Marquer le tracé de coupe et tailler sur toute la longueur une rainure d'env. 5 mm de profondeur à demi-gaz que la découpeuse finira exactement.

REMARQUE:

Pour les longues coupes droites, il est recommandé d'utiliser le chariot de guidage (24, voir également „ACCESSOIRES SPECIAUX“). Celui-ci permet de conduire facilement la découpeuse en ligne droite en déployant peu de force.

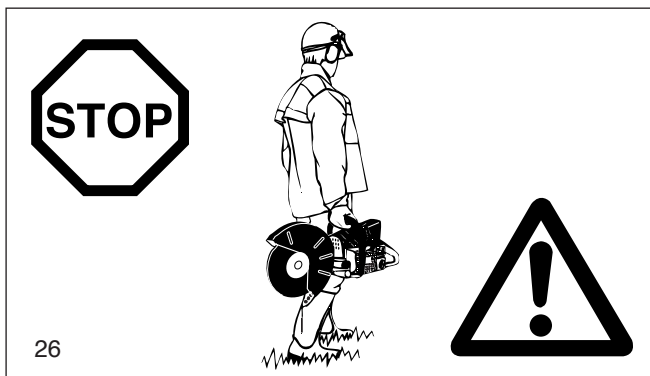
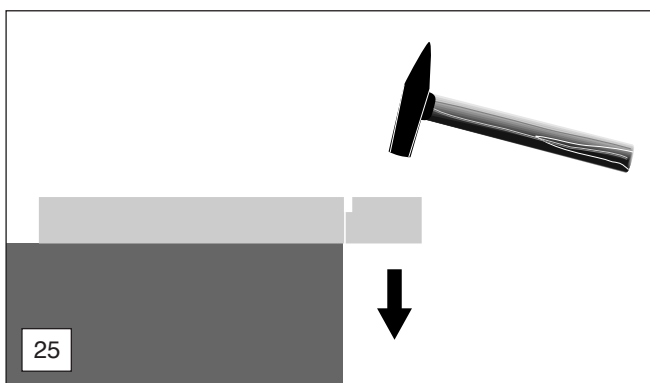
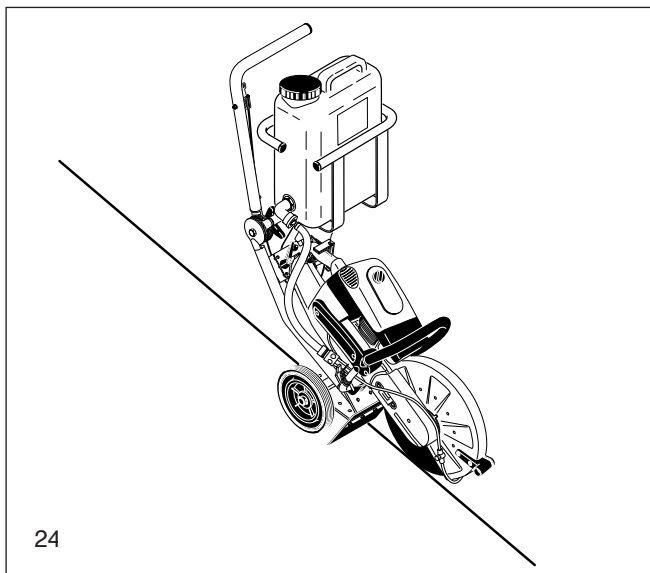
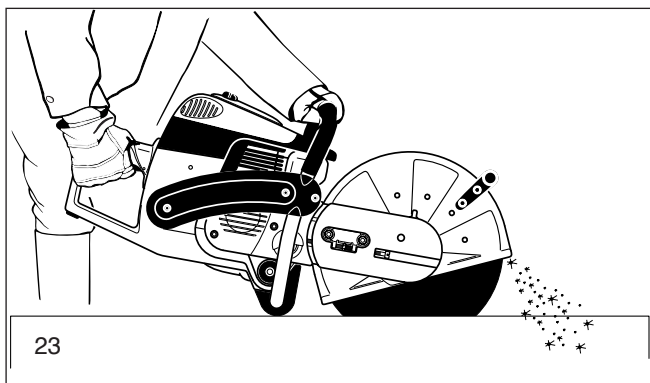
- Le découpage est exécuté par des mouvements de va-et-vient égaux.
- Lors de la pose de plaques de pierre, il suffit de tailler une rainure plate (pour éviter le dégagement de poussière inutile) afin d'enlever proprement le morceau saillant sur un support plat (25).

ATTENTION!

Fixer impérativement le sens de coupe et l'ordre des coupes à effectuer pour des coupes de mise à longueur, ruptures, évidements etc. pour éviter que le morceau découpé ne coince le disque à découper et pour éviter toute blessure par les morceaux qui tombent.

Transport et stockage

- **La découpeuse doit être à l'arrêt lors du transport et lors d'un changement de lieu pendant le travail (26).**
- **Ne jamais porter et transporter la découpeuse pendant que le moteur ou le disque est en marche.**
- Ne porter la découpeuse que par la poignée-étrier. Le disque à découper est orienté vers l'arrière (26). Ne jamais entrer en contact avec le pot d'échappement (risque de brûlure).
- Utiliser une brouette ou un chariot pour le transport sur une distance assez longue.
- Si la découpeuse est transportée par un véhicule automobile, s'assurer que celle-ci soit dans une position sûre pour éviter l'écoulement du carburant. Toujours démonter la découpeuse pour le transport en véhicule automobile. Laisser refroidir entièrement la découpeuse avant de la transporter en voiture. Attention: Les silencieux à catalyseur ont des temps de refroidissement plus longs!
- Entreposer la découpeuse de manière sûre dans un local sec. Elle ne doit pas être stockée en plein air. Toujours démonter la découpeuse. Ne jamais laisser la découpeuse à la portée des enfants.
- **Avant un entreposage prolongé et avant l'expédition de la découpeuse, suivre impérativement les consignes indiquées dans le chapitre „Consignes de maintenance et d'entretien périodiques“. Vider à chaque fois le carburant et faire tourner le carburateur à vide.**
- Pour l'entreposage des disques à découper, procéder attentivement de manière suivante:
 - nettoyer et bien sécher. **ATTENTION: NE PAS** nettoyer les disques à découper en résine synthétique avec de l'eau ou d'autres liquides!
 - toujours stocker à plat.
 - Il est impératif d'éviter l'humidité, le gel, les rayons directs du soleil, les températures élevées ou les variations de température, sinon risque de rupture et d'éclat éventuel!
 - Respecter la durée de conservation minimale (incrystée sur la bague de réception - trimestre/année) avant de réutiliser les disques à découper en résine synthétique. Si la date de conservation minimale est dépassée, le disque à découper ne doit **PAS** être utilisé.
- **Vérifier avant l'utilisation si les disques à découper neufs ou stockés sont endommagés** et les tester à la vitesse maximale indiquée pendant au moins 60 secondes avant la première coupe en s'assurant qu'aucune partie corporelle ou aucune personne ne se trouve dans la zone de pivotement prolongée du disque à découper.



Maintenance

- **Pour tous les travaux de maintenance, arrêter la découpeuse (27) et retirer la fiche de la bougie!**
- **Laisser refroidir la découpeuse avant les travaux d'entretien (risque de brûlure)!**
- Vérifier avant de commencer à travailler si l'état de la découpeuse est fiable. S'assurer que le disque à découper est monté en fonction des prescriptions. S'assurer que le disque à découper n'est pas endommagé et convient exactement pour l'utilisation prévue.
- La machine doit fonctionner avec le moins de bruit et de gaz d'échappement possibles. Ceci suppose un bon réglage du carburateur.
- Ne pas faire fonctionner la découpeuse avec un silencieux défectueux ou modifié.
- Nettoyer régulièrement la découpeuse.
- Vérifier régulièrement si le bouchon du réservoir est étanche.

Respecter les prescriptions de prévoyance contre les accidents de la corporation professionnelle correspondante et de l'assurance. N'effectuer aucune modifications de construction de la découpeuse. Vous risquez votre sécurité.

Les travaux de maintenance et de réparations à exécuter sont limités à ceux précisés dans la notice d'emploi. Tous les autres travaux doivent être effectués par le Service Après Vente de MAKITA.

N'utiliser que les pièces détachées et accessoires MAKITA d'origine.

En cas d'utilisation de pièces détachées, accessoires n'étant pas d'origine MAKITA, il faut s'attendre à un risque d'accident important. MAKITA ne pourra être tenu responsable en cas d'accidents ou de dommages avec des disques à découper ou accessoires n'étant pas d'origine.

Premier secours

On devra toujours disposer sur le lieu de travail d'une boîte de secours pour le cas d'un éventuel accident. Les produits prélevés doivent immédiatement être remplacés.

Si vous appelez du secours, veuillez indiquer:

- le lieu de l'accident
- ce qui s'est passé
- le nombre de blessés
- le type de blessures
- le nom du demandeur

REMARQUE

Des dériorations au niveau des vaisseaux sanguins ou du système nerveux peuvent se produire chez des personnes souffrant de troubles circulatoires et trop souvent soumises à des vibrations.

Les symptômes pouvant apparaître à la suite de vibrations au niveau des doigts, mains ou articulations sont les suivants: engourdissement de membres corporels, chatouillement, douleurs, points, changement du teint ou de la peau.

Si ce genre de symptômes apparaissent, consultez un médecin.

Elimination des déchets et protection de l'environnement

Protégez notre environnement!

Éliminez les disques à découper usés ou défectueux conformément aux règlements d'élimination des déchets de votre commune. Pour éviter les utilisations abusives, les disques à découper qui ne sont plus utilisables doivent être détruits avant d'être éliminés.

Quand l'appareil n'est plus utilisable, l'éliminer dans le cadre d'une élimination des déchets / un recyclage conforme à l'environnement. Informez-vous si nécessaire auprès des services de l'administration locale.

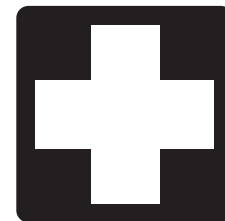


27



SERVICE

28



29

Caractéristiques techniques

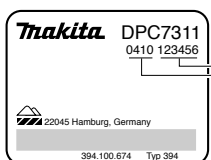
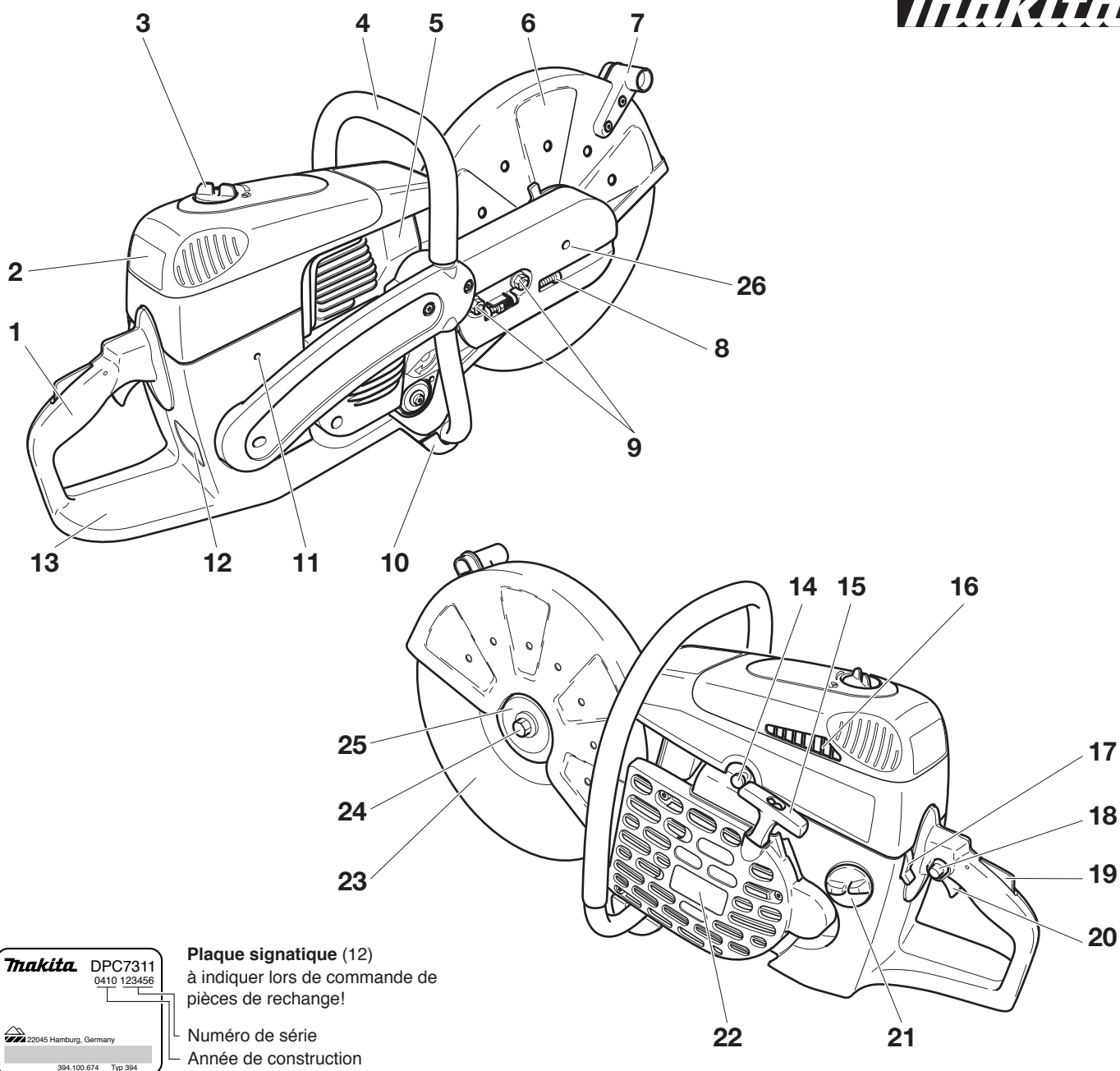
		DPC6410	DPC6411	DPC7310, 7320	DPC7311, 7321
Cylindrée	cu in (cm ³)	3.9 (64)		4.5 (73)	
Alésage	in (mm)	1.85 (47)		1.97 (50)	
Course	in (mm)	1.46 (37)		1.46 (37)	
Puissance max.	hp (kW)	4.4 (3.2)		5.6 (4.2)	
Couple max.	Nm	4.0		5.0	
Vitesse de rotation à vide	1/min	2,500		2,500	
Vitesse de rotation d'embrayage	1/min	3,800		3,800	
Régime d'étranglement	1/min	9,350 ± 145		9,350± 145	
Régime nominal de broche	1/min	4,300		4,300	
Niveau sonore à l'oreille de l'opérateur	dB (A)	97		104	
Niveau sonore à la position de l'assistant (50 pieds)	dB (A)	84		86	
Accélération d'oscillation a _{h,w} selon EN 1454					
- poignée-étrier (Ralenti / régime nominal de broche)	m/s ²	6 / 5		7 / 6	
- poignée (Ralenti / régime nominal de broche)	m/s ²	8 / 6		8 / 7	
Carburateur (à membrane)	Type	WALBRO WJ-105			
Dispositif d'allumage (avec limiteur de vitesse de rotation)	Type	électronique			
Bougie d'allumage	Type	NGK BPMR 7A / BOSCH WSR 6F / CHAMPION RCJ 6Y			
Ecartement électrodes	in (mm)	.020 (0.5)		.020 (0.5)	
Consommation carburant/puissance max. selon ISO 8893	kg/h	1.65		2.1	
Consommation spéc./puissance max. selon ISO 8893	g/kWh	500		500	
Capacité réservoir carburant	fl oz (l)	37 (1.1)		37 (1.1)	
Dosage mélange (carburant/huile 2 temps)					
- avec utilisation huile MAKITA HP 100		100:1		100:1	
- avec utilisation huile MAKITA		50:1		50:1	
Disque à découper pour 80 m/s ²⁾	in	12" / 0.8" / 0.2" ³⁾	14" / 0.8" / 0.2" ³⁾	12" / 0.8" / 0.2" ³⁾	14" / 0.8" / 0.2" ³⁾
Disque à découper pour 80 m/s ^{2) 4)}	in		14" / 1" / 0.2" ³⁾		14" / 1" / 0.2" ³⁾
Diamètre de broche	in	0.8"	0.8" / 1.0"	0.8"	0.8" / 1.0"
Courroie (n° MAKITA)		965 300 470		965 300 470	
Poids de la découpeuse (réservoirs vides, sans disque)	lb	21.38	21.82	21.6	22.04

		DPC8111	DPC8112
Cylindrée	cu in (cm ³)	4.9 (81)	4.9 (81)
Alésage	in (mm)	2.05 (52)	2.05 (52)
Course	in (mm)	1.49 (38)	1.49 (38)
Puissance max.	hp (kW)	6.2 (4.5)	6.2 (4.5)
Couple max.	Nm	5.2	5.2
Vitesse de rotation à vide	1/min	2,500	2,500
Vitesse de rotation d'embrayage	1/min	3,800	3,800
Régime d'étranglement	1/min	9,350 ± 145	9,350± 145
Régime nominal de broche	1/min	4,300	4,300
Niveau sonore à l'oreille de l'opérateur	dB (A)	XX	XX
Niveau sonore à la position de l'assistant (50 pieds)	dB (A)	XX	XX
Accélération d'oscillation a _{h,w} selon EN 1454			
- poignée-étrier (Ralenti / régime nominal de broche)	m/s ²	5.6 / 6.3	5.6 / 6.3
- poignée (Ralenti / régime nominal de broche)	m/s ²	8.8 / 6.0	8.8 / 6.0
Carburateur (à membrane)	Type	WALBRO WJ-105	
Dispositif d'allumage (avec limiteur de vitesse de rotation)	Type	électronique	
Bougie d'allumage	Type	NGK BPMR 7A / BOSCH WSR 6F / CHAMPION RCJ 6Y	
Ecartement électrodes	in (mm)	.020 (0.5)	.020 (0.5)
Consommation carburant/puissance max. selon ISO 8893	kg/h	2.3	2.3
Consommation spéc./puissance max. selon ISO 8893	g/kWh	500	500
Capacité réservoir carburant	fl oz (l)	37 (1.1)	37 (1.1)
Dosage mélange (carburant/huile 2 temps)			
- avec utilisation huile MAKITA HP 100		100:1	100:1
- avec utilisation huile MAKITA		50:1	50:1
Disque à découper pour 80 m/s ²⁾	in	14" / 0.8" / 0.2" ³⁾	16" / 0.8" / 0.2" ³⁾
Disque à découper pour 80 m/s ^{2) 4)}	in	14" / 1.0" / 0.2" ³⁾	16" / 1.0" / 0.2" ³⁾
Diamètre de broche	in	0.8" (1.0") ⁴⁾	0.8" (1.0") ⁴⁾
Courroie (n° MAKITA)		965 300 490	965 300 480
Poids de la découpeuse (réservoirs vides, sans disque)	lb	22.05	23.37

²⁾ Vitesse périphérique pour régime max.

³⁾ Diamètre extérieur / trou de réception / épaisseur

⁴⁾ En fonction du pays



Plaque signalétique (12)
à indiquer lors de commande de
pièces de rechange!

Numéro de série
Année de construction

- | | |
|--|---|
| 1 Poignée | 14 Soupape de décompression |
| 2 Couvercle de filtre pour filtre à air et fiche de bougie | 15 Poignée de lancement |
| 3 Pièce de verrouillage du couvercle | 16 Orifice d'aspiration d'air |
| 4 Poignée-étrier | 17 Commutateur combiné «Marche/Arrêt» (E/S),
starter |
| 5 Silencieux | 18 Bouton d'arrêt pour mi-gaz |
| 6 Capot de protection | 19 Bouton de blocage pour mi-gaz |
| 7 Poignée | 20 Levier d'accélération |
| 8 Vis de réglage pour la tension de courroie | 21 Couvercle du réservoir (à essence) |
| 9 Ecrus de fixation | 22 Boîtier du démarreur avec dispositif de lancement |
| 10 Pied | 23 Disque à découper |
| 11 Orifices pour le réglage du carburateur | 24 Vis de fixation du disque à découper |
| 12 Plaque signalétique | 25 Disque de contrainte |
| 13 Réservoir avec protégé-main | 26 Ouverture de contre-support |



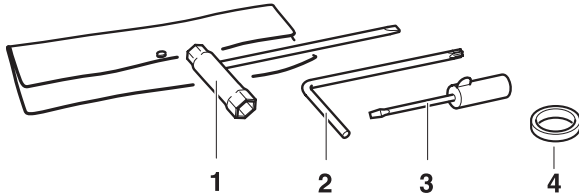
MISE EN ROUTE

ATTENTION:

Pour tout travail effectué sur la découpeuse, il est **impératif de mettre le moteur hors tension**, de retirer la fiche de la bougie et de porter des gants de protection!

ATTENTION:

La découpeuse ne peut être mise en marche qu'après le montage complet!



Pour les travaux suivants, utilisez l'outillage compris dans la fourniture:

1. Clé combinée SW 13/19
2. Tournevis coudé
3. Tournevis (pour le réglage du carburateur)
4. Bague d'adaptation (pas toujours fournie)

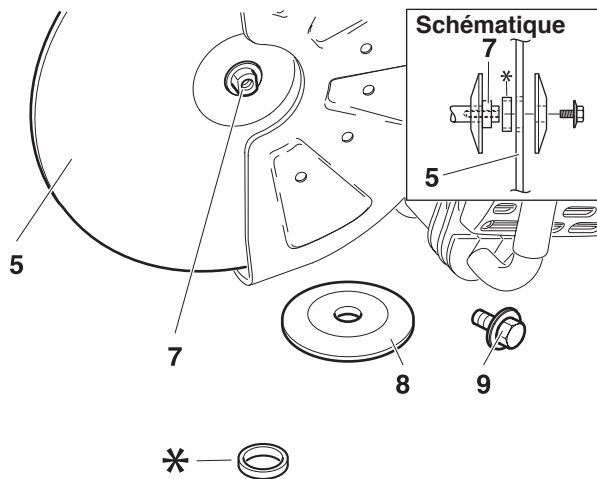
Poser la découpeuse sur un support stable et effectuer les opérations suivantes pour le montage du disque à découper:

Uniquement pour les modèles DPC8111 et 8112

Pas de filtre à air monté !



Monter le filtre en mousse lubrifié (pré-filtre) avant la mise en route, comme montré sur le dessin ci-contre ! Pour cela, retirer le couvercle du filtre (voir Chapitre Nettoyage / Remplacement du filtre à air).



Monter le disque à découper

Vérifier si le disque à découper est en bon état, voir **CONSIGNES DE SECURITE** page 39.



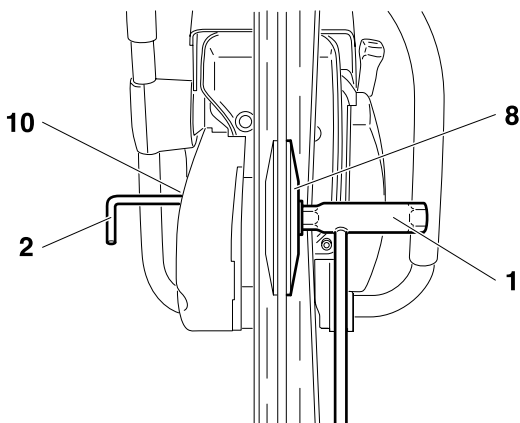
Dévisser la vis (9) et retirer le disque de contrainte (8).

Poser le disque à découper (5) sur l'arbre (7).

Note: Le diamètre intérieur du disque à découper doit correspondre exactement à l'arbre. Si le diamètre intérieur est plus grand, il doit être compensé par une bague d'adaptation (*).



Observer le sens de rotation du disque à découper si marqué sur celui-ci.



Poser le disque de contrainte (8) sur l'arbre, visser la vis (9) à l'intérieur et la serrer à la main.

Tourner lentement le disque à découper jusqu'à ce que le trou d'arrêt de la poulie à courroie trapézoïdale soit visible dans le couvercle de l'adaptateur de coupe (10).

Enfoncer entièrement le tournevis coudé (2). L'arbre est maintenant bloqué.

Bien serrer la vis au moyen de la clé combinée (1).

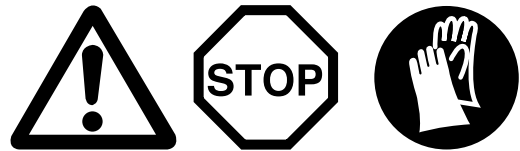
NOTE: Bien serrer la vis (30 ± 2 Nm). Le disque à découper risque sinon de se tordre.

Tendre la courroie / Contrôler la tension

ATTENTION:

Il est indispensable de tendre correctement la courroie de manière à atteindre le rendement de coupe désirée et à garantir une consommation de carburant optimale. Une tension incorrecte de la courroie provoque l'usure prématurée de celle-ci et des disques de courroie ou détériore le logement d'embrayage.

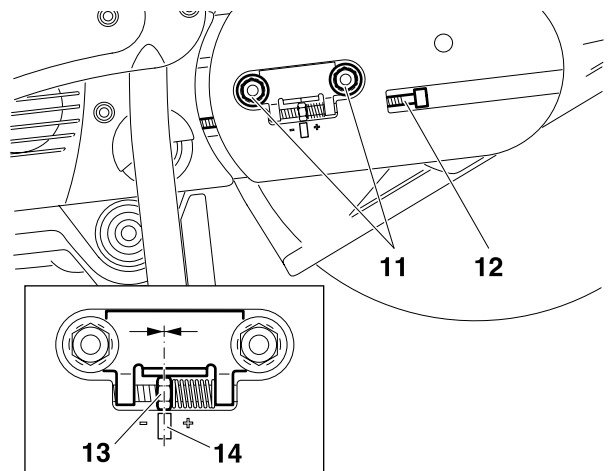
Retendre la courroie trapézoïdale si l'appareil est nouveau et après avoir remplacé la courroie trapézoïdale, après la première heure de service!



NOTE: Pour tendre la courroie et pour vérifier la tension, il faut dévisser les écrous de fixation (11).

Pour augmenter la tension, tourner la vis de tension (12) vers la droite (dans le sens des aiguilles) au moyen de la clé combinée comprise dans la fourniture.

La courroie est correctement réglée si l'écrou (13) se trouve au milieu du repère (14).



ATTENTION:



Après avoir tendu la tension et contrôlé la tension, il est impératif de bien serrer les écrous de fixation (11) (30 ± 2 Nm).

Montage du système à eau sous pression

Pas toujours fournie, en fonction du pays!



ATTENTION: Il est impératif de mettre le moteur hors tension et de retirer la cosse de bougie pendant tous les travaux effectués sur la tronçonneuse.

ATTENTION: Il est obligatoire de réduire le tuyau (15) à 180 mm (7") en cas d'utilisation d'un capot de protection pour un diamètre de disque maximal de 300 mm (12").

Pour cela, desserrer l'écrou-raccord (16), retirer le tuyau (15) du raccord (17) avec précaution et le raccourcir à 180 mm. Ensuite, réappuyer le tuyau sur le raccord et resserrer l'écrou-raccord jusqu'à la butée.

- Monter la prise d'eau comme décrit sur la figure. Appuyer le collier (22) autour de la poignée en forme d'étrier (23) et le fixer avec la vis et l'écrou carré.
- Retirer le raccord express (24) de la prise d'eau et le brancher sur le tuyau d'alimentation 1/2" (18).
- Démontez le disque de coupe (cf. manuel de service).
- Guide-tuyau lorsque le disque de coupe est en position médiane, cf. figure.
- Guide-tuyau lorsque le disque de coupe est en position extérieure, cf. figure.
- Introduire les gicleurs (19) de l'intérieur dans le capot de protection (20) et poser les raccords (17). Visser et serrer les capuchons (21).

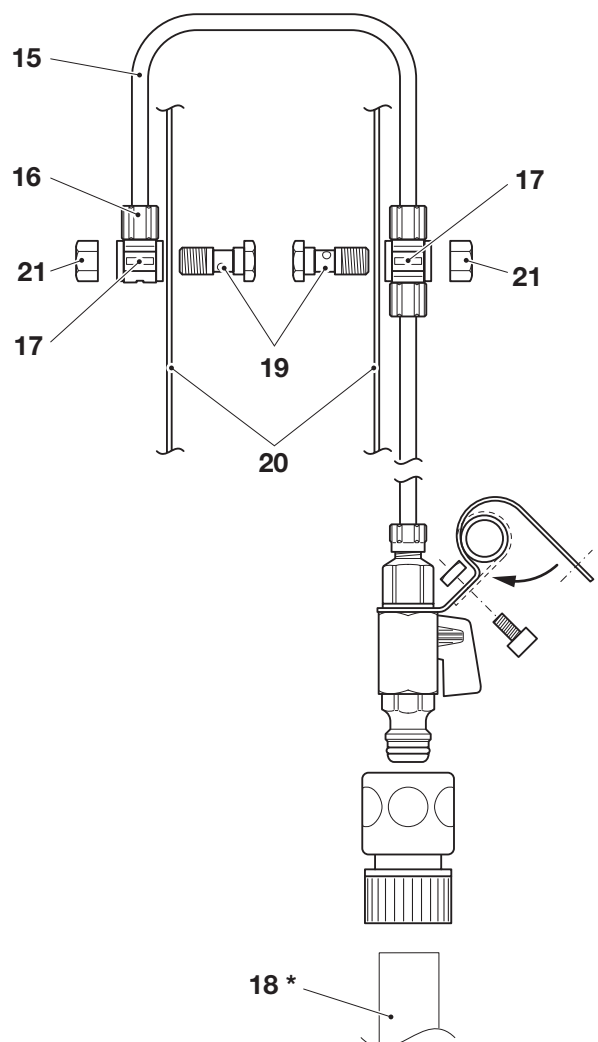
ATTENTION:

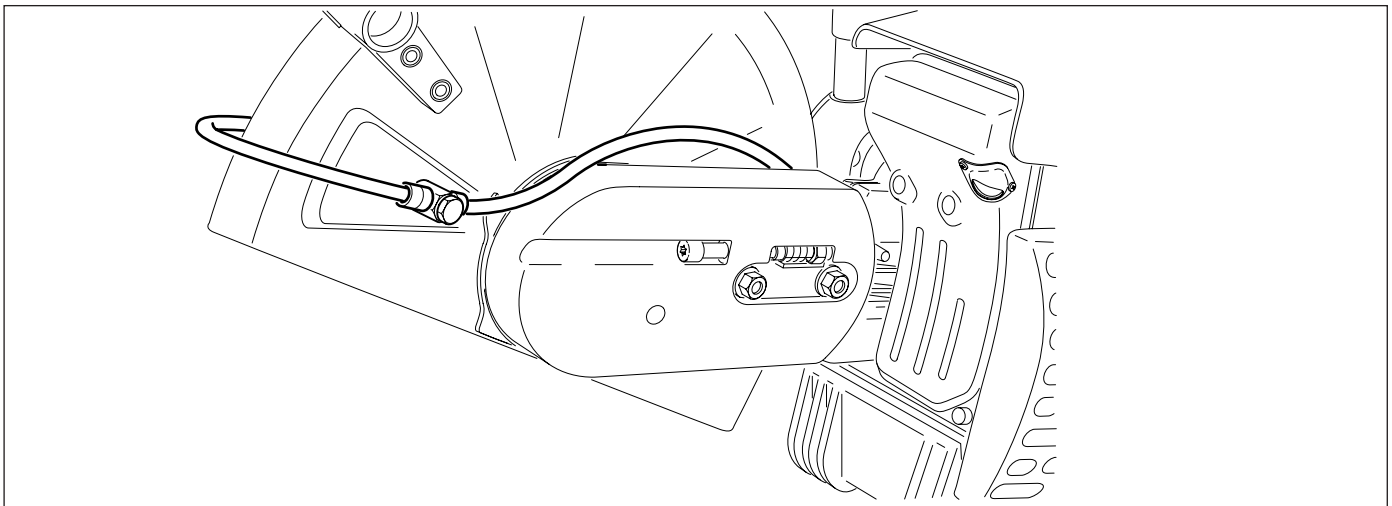
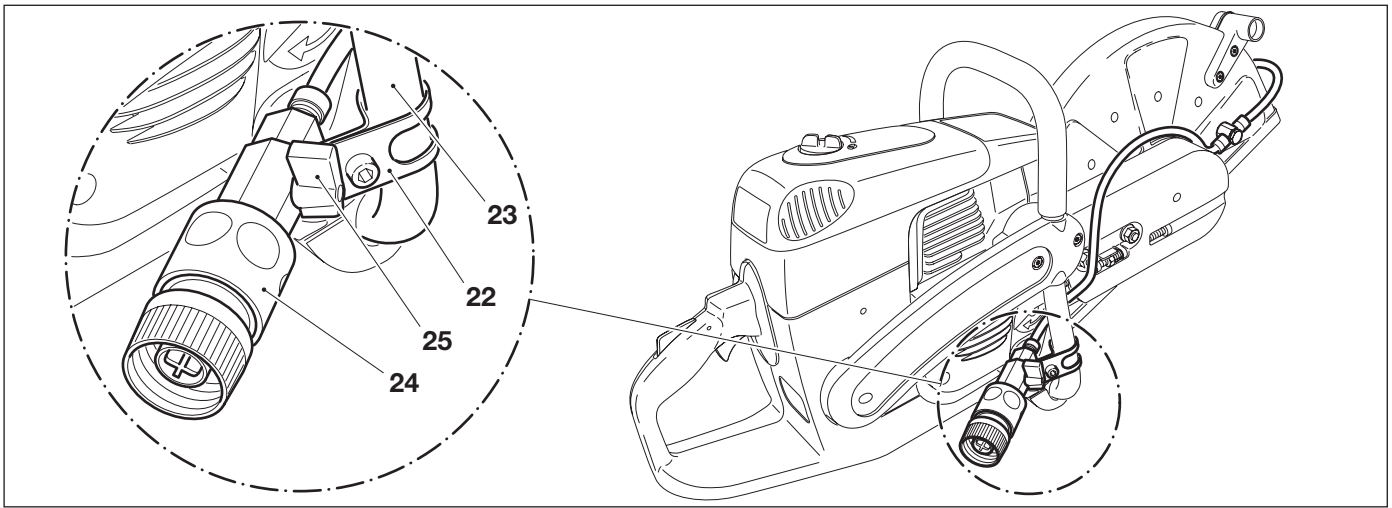
Aligner les raccords (17) conformément la figures pour éviter tout pli des tuyaux.

- Monter le disque (cf. manuel de service).
- Brancher le raccord express (24) sur la prise d'eau.

NOTE:

Le débit d'eau peut être réglé en continu au moyen de la vanne (25).





Carburants

ATTENTION:

L'appareil est utilisé avec des produits d'huiles minérales (essence et huile)!

Votre attention est requise lorsque vous manipulez l'essence.

Il est interdit de fumer et tout feu immédiat n'est pas autorisé (risque d'explosion).



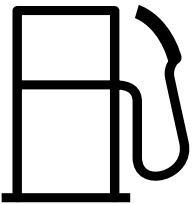

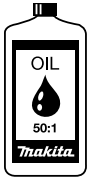
Mélange carburant

Le moteur de la découpeuse est un moteur à deux temps de haute capacité. Ce moteur est alimenté par un mélange de carburant et d'huile moteur deux temps.

La conception du moteur a été réalisé pour fonctionner à l'essence normal sans plomb avec un degré d'octane minimum de 91 ROZ. Si un tel type de carburant n'était pas disponible, on peut aussi utiliser un carburant d'un degré d'octane plus élevé. Le moteur n'en subit aucun dommage.

Pour un fonctionnement optimal, ainsi que pour la protection de la santé et de l'environnement, utilisez toujours un carburant sans plomb. Il ne faut pas utiliser d'essence contenant de l'alcool avec les produits MAKITA.

Le graissage du moteur est réalisé par une huile moteur à deux temps (échelle de qualité JASO FC ou ISO EGD) qui est additionnée au carburant. En usine le moteur a été réglé pour l'huile moteur deux temps très performante de MAKITA HP 100 avec un rapport de mélange de 100:1. Ceci garantit une longue durée de vie et un fonctionnement fiable avec un très faible dégagement de fumées du moteur.

Carburant	100:1	50:1
		
1.0 Us-gal. (3.7 litres)	1.25 floz. (37 cm ³)	2.5 floz. (75 cm ³)
2.5 Us-gal. (9.4 litres)	3.2 floz. (94 cm ³)	6.4 floz. (189 cm ³)
5.0 Us-gal. (18.9 litres)	6.4 floz. (189 cm ³)	12.8 floz. (378 cm ³)

Réalisation du rapport correct du mélange:

100:1 En utilisant l'huile deux temps de haute performance MAKITA HP 100, ceci signifie mélanger 100 parties d'essence avec une partie d'huile.

50:1 En utilisant l'huile deux temps de haute performance MAKITA, ceci signifie mélanger 50 parties d'essence avec une partie d'huile.

REMARQUE: Pour fabriquer le mélange essence-huile, il faut toujours mélanger préalablement le volume d'huile prévu dans la moitié du volume d'essence, puis y ajouter le volume d'essence restant. Avant de verser le mélange dans l'appareil, bien le mélanger au préalable.

Attention: Ouvrir le bouchon du réservoir d'essence avec précaution. Risque de montée de pression.

Il n'est pas raisonnable que par excès de conscience de sécurité d'augmenter la part d'huile au delà du rapport indiqué du mélange, le résultat serait plus de résidus de combustion ce qui polluerait l'environnement et boucherait la sortie d'échappement dans le cylindre, ainsi que le silencieux. En outre, la consommation de carburant augmenterait et la puissance diminuerait.

Stockage de carburants

Les carburants ne sont stockables que de manière restreinte. Le carburant et les mélanges de carburant vieillissent par évaporation sous l'effet de températures élevées. Le carburant et les mélanges de carburant stockés pendant une trop longue durée peuvent entraîner des problèmes de démarrage et endommager le moteur. N'acheter que la quantité de carburant à consommer en l'espace de quelques mois. Consommer le carburant mélangé en 6-8 semaines en cas de températures élevées.

Ne transporter et ne stocker le carburant que dans des nourrices agréées et portant les indications nécessaires. Stocker le carburant uniquement au sec, au froid et en toute sécurité!

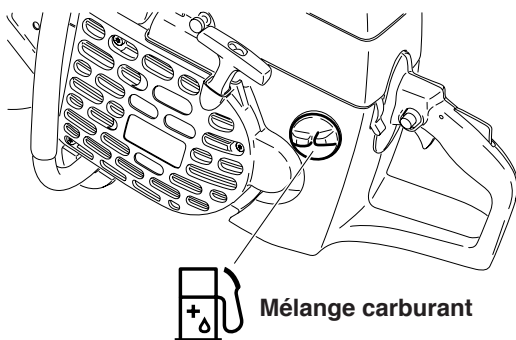


EVITEZ LE CONTACT AVEC LA PEAU ET LES YEUX

Les produits pétroliers, ainsi que les huiles, dégraissent la peau. Lors d'un contact répété et prolongé la peau se des sèche. Les suites peuvent être différentes maladies de peau. D'autre part, on connaît les réactions allergiques.

Le contact avec les yeux de l'huile conduit à des irritations. en cas de contact, rincer immédiatement l'oeil avec de l'eau claire.

Si l'irritation continue, consulter immédiatement un médecin.



Remplissage des réservoirs

ATTENTION: RESPECTER IMPERATIVEMENT LES REGLES DE SECURITE!

La manipulation de carburants exige une manipulation avec précaution et prudence.

Opération à effectuer uniquement lorsque le moteur est arrêté et refroidi!

Bien nettoyer autour de la zone de remplissage pour éviter qu'aucune saleté n'entre dans le réservoir.

Poser la machine de côté sur un support plat.

Dévisser le bouchon du réservoir et verser le mélange de carburant. Verser avec précaution pour ne pas renverser le mélange.

Revisser le bouchon du réservoir à la main.

Après avoir rempli le réservoir, nettoyer le bouchon fileté, le réservoir et vérifier s'il fuit.

Ne jamais démarrer ou utiliser l'appareil là où l'essence y a été versée.

Changer aussitôt de vêtements si de l'essence a été renversée sur les vêtements.

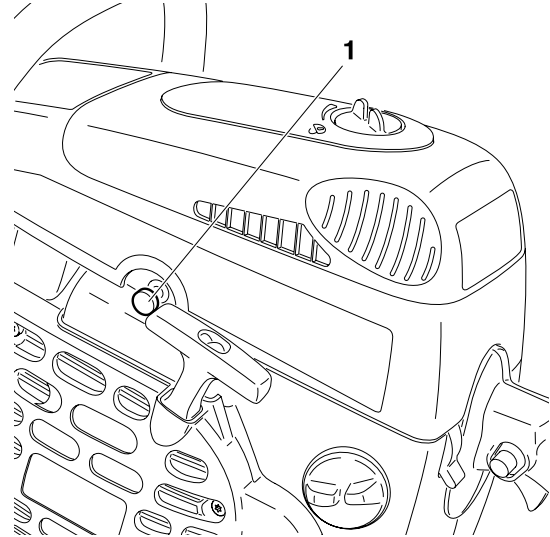
Démarrer le moteur



si
nécessaire

Le modèle est équipé d'une soupape de décompression (1) semi-automatique pour faciliter le démarrage. En enfonçant la soupape de décompression, le travail de compression est réduit et le moteur accélère pour atteindre son régime de démarrage en déployant le moindre effort sur le cordon de lancement.

Dû à la montée de pression élevée dans la chambre de chauffe, à la suite des premiers allumages, la soupape de décompression se ferme automatiquement (le bouton sort).



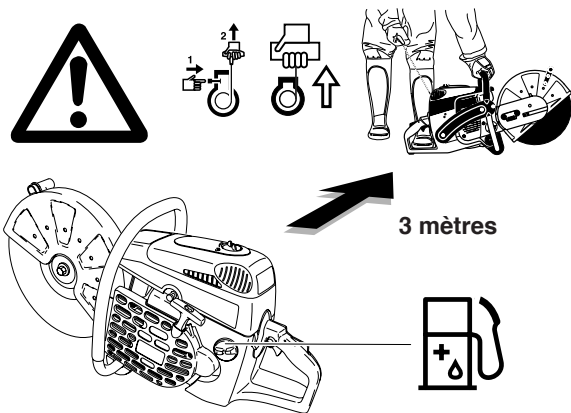
ATTENTION:

Respecter impérativement les INSTRUCTIONS DE SÉCURITÉ de la page 37 et 38.

La découpeuse ne peut être mise en marche qu'après le montage complet!

Démarrer le moteur au moins 3 m de l'endroit du réservoir.

Prendre une position sûre et poser la découpeuse de manière à ce que le dispositif de découpage ne soit tourné dans votre direction.



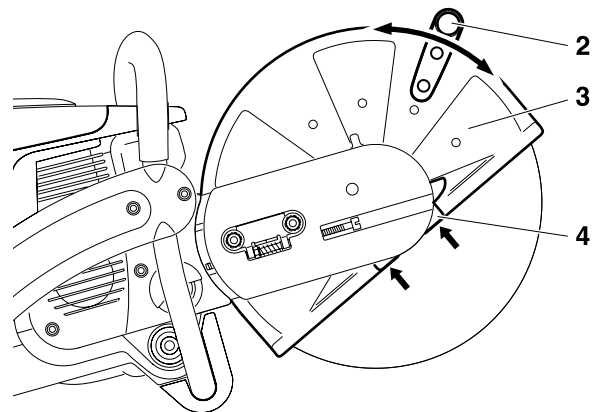
Mettre le capot de protection (3) en position optimale (cf. Figure) en fonction de l'utilisation faite.

Prendre la poignée (2), le capot de protection (3) peut être orienté à l'intérieur des butées dans les deux sens de la flèche.

Attention:

S'assurer absolument que le bord extérieur rectiligne de la tôle de butée (4) et le bord du capot de protection sont parallèles (voir flèches).

Si ce n'est pas le cas, consulter un atelier spécialisé.



Démarrage à froid

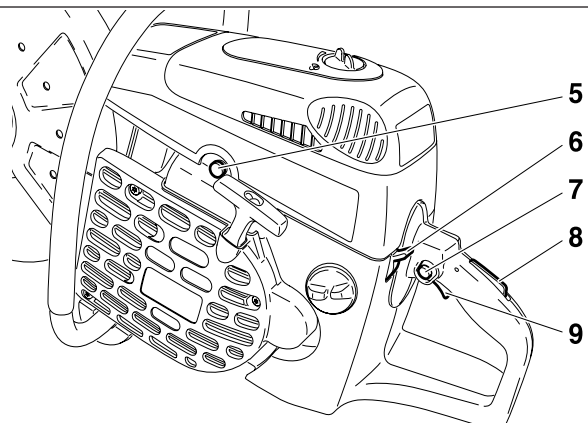
Pousser le commutateur combiné (6) vers le haut (position starter).

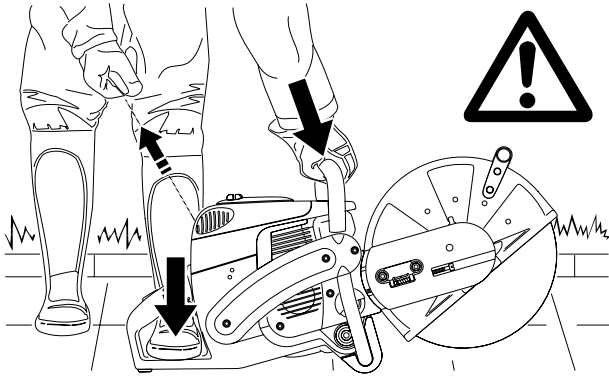
Saisir la poignée (la paume de la main appuie sur le bouton d'arrêt de sécurité (8)).

Enfoncer le levier de gaz (9) et le maintenir.

Pousser la tête d'enclenchement (7) et relâcher le levier de gaz (9) (le levier de gaz est bloqué par la tête d'enclenchement en position demi-gaz).

NOTE: Si la découpeuse est montée sur le chariot de guidage, mettre le levier de réglage en troisième ou quatrième position. Enfoncer la soupape de décompression (5).





Tenir la poignée-étrier à pleine main et appuyer la découpeuse contre le sol.

Poser la pointe du pied gauche dans le pare-main.

Tirer vite et fort sur le cordon de lancement, jusqu'au déclenchement du premier allumage audible.

Attention: Ne pas retirer le cordon de lancement de plus de 50 cm et le ramener lentement à la main.

Renforcer la soupape de décompression (5).

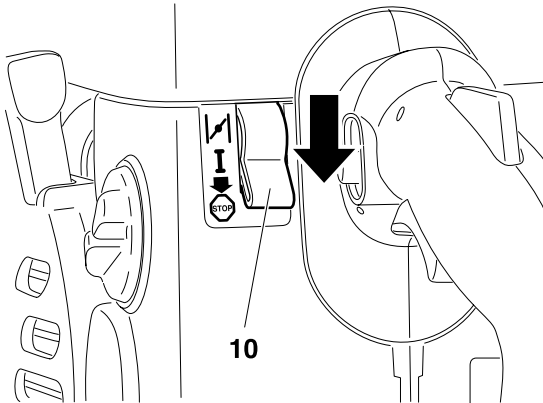
Pousser le commutateur combiné (6) en position «I».

Tirer à nouveau le cordon de lancement jusqu'à ce que le moteur tourne.

Dès que le moteur tourne, actionner le levier de gaz (9) pour que le bouton de blocage (7) ressorte et pour que le moteur tourne au ralenti.

Démarrage à chaud

Comme décrit dans le paragraphe concernant le démarrage à froid, toutefois sans utiliser le commutateur combiné (6) en position starter.



Arrêter le moteur

Pousser le commutateur combiné (10) vers le bas en position



Réglage du carburateur

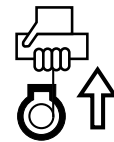
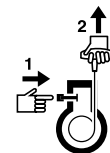


REMARQUE: Les découpeuses sont équipées d'un allumage électronique à limitation de vitesse de rotation.

Le régime de ralenti est préréglé en usine sur env. 2.500 1/min; il se peut néanmoins que la procédure de rodage d'une nouvelle machine exige un léger rajustage du régime de ralenti.

Les opérations suivantes sont nécessaires pour un réglage correct du régime de ralenti:

Démarrez le moteur et laissez-le tourner jusqu'à ce qu'il soit chaud (env. 3 à 5 min.).

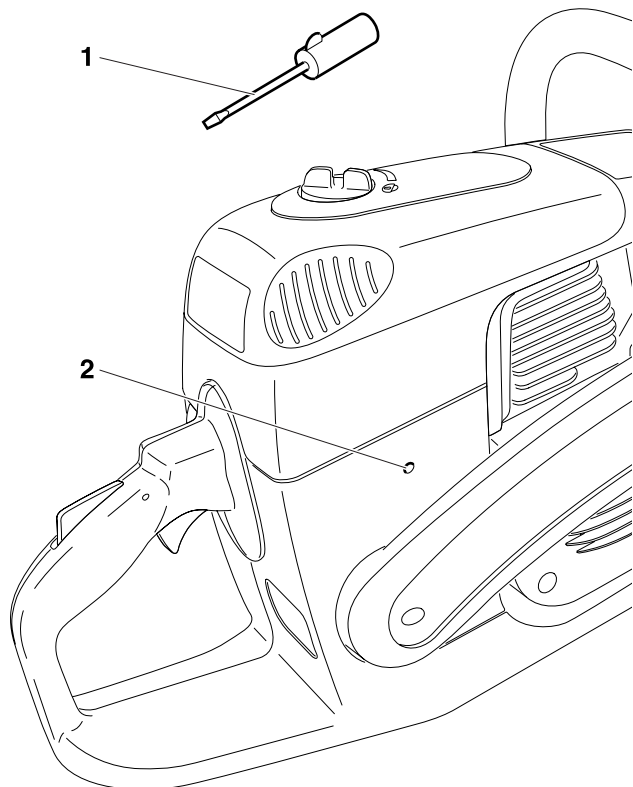


Utiliser le tournevis (1, réf. 944 340 001). Il possède un talon soudé servant au réglage.

Corrigez le réglage du régime de ralenti

Si le disque à découper tourne avec le moteur, dévissez la vis de butée (2) du papillon du carburateur jusqu'à ce que le disque ne tourne plus. Si le moteur s'arrête lorsqu'il tourne à vide, revissez à nouveau légèrement la vis de butée.

Arrêtez le moteur



TRAVAUX DE MAINTENANCE



ATTENTION:

Pour tout travail sur la découpeuse, il est impératif d'arrêter le moteur, de retirer le disque à découper, de tirer la cosse de bougie et de porter les gants de protection!

ATTENTION:

La découpeuse ne peut être mise en marche qu'après le montage complet!



SERVICE

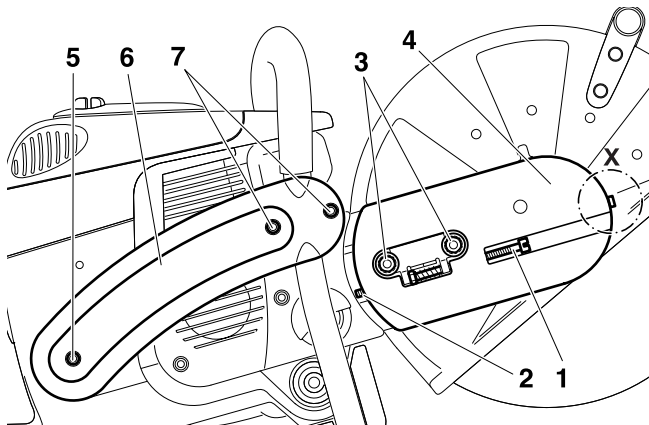
IMPORTANT:

Etant donné que nombreuses pièces non abordées dans ce manuel d'utilisation sont en partie des dispositifs de sécurité importants et comme toute pièce est également soumise à une certaine usure, une vérification et maintenance régulière doit être effectuée par un atelier spécialisé MAKITA pour garantir votre sécurité.

ATTENTION:



Si le disque à découper se fracture pendant la découpe, l'appareil doit être révisé par un atelier agréé MAKITA avant toute remise en marche!



Remplacer la courroie

Desserrer les écrous (3).

Desserrer la vis de tension (1) (dans le sens inverse des aiguilles) jusqu'à ce que l'extrémité de la vis (2) soit visible dans la fente.

Dévisser et enlever la vis (détail X, uniquement sur le modèle DPC8112).

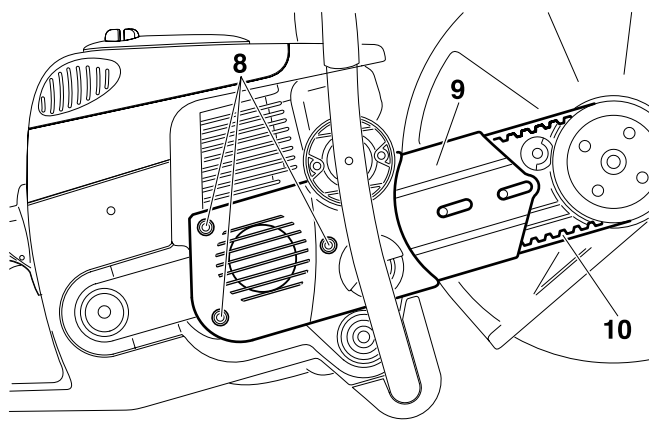
Dévisser les écrous (3) et enlever le couvercle (4).

Dévisser les vis (5) et (7) et retirer l'entretoise latérale (6).

NOTE:



La vis (5) est plus longue que la vis (7).
Observer la position de montage.



Desserrer les vis (8) et enlever le couvercle du carter d'embrayage (9).

Enlever l'ancienne courroie (10) ou les restes de courroie.

NOTE: Le dessin montre la courroie trapézoïdale des modèles DPC6410 - 7321.

Nettoyer l'intérieur du bras de transmission au moyen d'un pinceau.

Mettre en place une nouvelle courroie.

NOTE: Montage du couvercle du carter-moteur (9), de l'entretoise latérale (6) et du couvercle (4) dans l'ordre inverse.

Tendre la courroie comme décrit au chapitre «**Tendre la courroie / Contrôler la tension**».

Nettoyer le capot de protection

À l'intérieur de la tôle de protection se constituent des dépôts de matière (notamment lors du découpage au mouillé) susceptibles d'empêcher la rotation du disque à découper.

Démonter le disque à découper et le disque de pression. Enlever les dépôts de découpe à l'intérieur du capot de protection au moyen d'un bâton en bois ou d'un objet similaire.


Nettoyer l'arbre et toutes les pièces démontées.



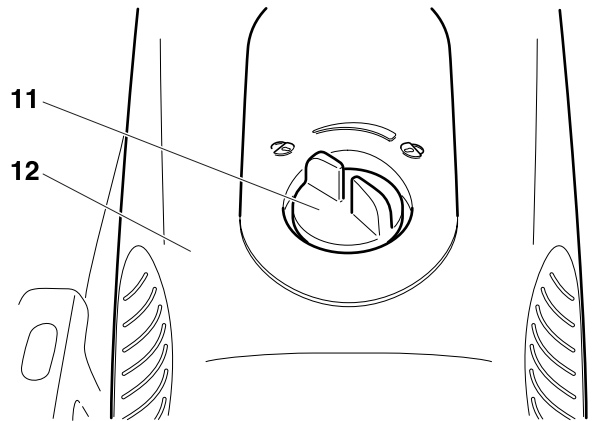
NOTE: Montage du disque à découper voir chapitre «Montage du disque à découper».

Nettoyer / remplacer le filtre à air



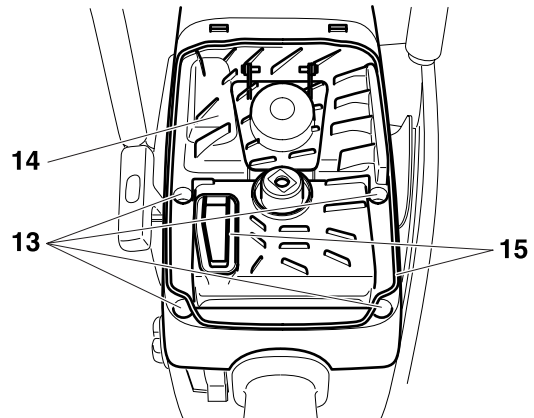
Tourner la pièce de verrouillage du couvercle (11) en position «déverrouillé  » et enlever le couvercle du filtre (12) avec précaution.

Deux bagues d'étanchéité (15) se trouvent entre le couvercle du filtre (12) et le capot (14).



Dévisser les vis (13) et retirer le capot (14).

Nettoyer la bague d'étanchéité (15) au moyen d'un pinceau et vérifier si elle est endommagée.



Nettoyer le pré-filtre (mousse, 17) du couvercle du filtre.

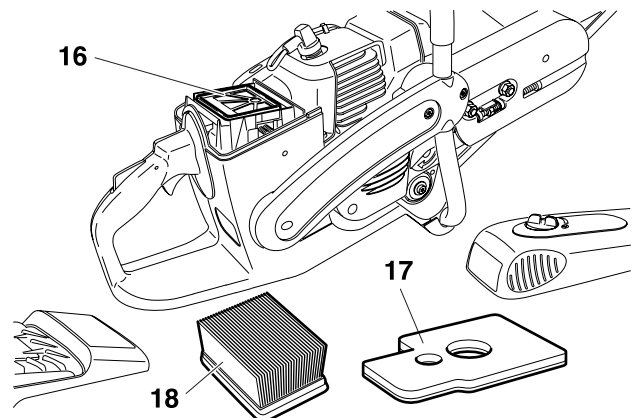
Retirer la cartouche de filtre à air (cartouche en papier, 18) du capot.

Enlever le filtre intérieur (16) de la crépine d'aspiration.

Note:

Protéger le carburateur de manière à ce qu'aucune poussière n'y pénètre.

Mettre le commutateur combiné en position «starter» ou couvrir le carburateur d'un chiffon propre.



ATTENTION:

Arrêter le moteur avant de nettoyer le filtre à air ! Ne jamais nettoyer les filtres à air à l'air comprimé. Ne pas nettoyer le pré-filtre et le filtre intérieur avec du carburant!

La durée de vie du moteur dépend de son état et de l'entretien régulier des éléments du filtre. En cas de non-respect des intervalles de nettoyage ou des mesures d'entretien, l'intérieur du moteur risque fortement de s'user.

Remplacer immédiatement le filtre à air endommagé ! Des morceaux de tissu déchirés et des poussières grossières peuvent détériorer le moteur. Ne pas travailler dans des conditions poussiéreuses si possible ! Les fines poussières générées lors de la coupe à sec dans le béton et dans la pierre entrave la santé de l'utilisateur et raccourcit la durée de vie du moteur. Effectuer les travaux de coupe dans le béton et dans la pierre si possible avec de l'eau pour fixer la poussière.

Pré-filtre (mousse sèche).



**Uniquement pour les modèles
DPC6410 - 7321**

Nettoyer le préfiltre encrassé (1, réf. 326 173 080) dans de l'eau tiède additionnée de produit à vaisselle courant ou avec le produit nettoyant pour filtres MAKITA (réf. 980 008 627). En cas d'utilisation du produit nettoyant pour filtres MAKITA, procéder de la façon indiquée au point « Nettoyage ».

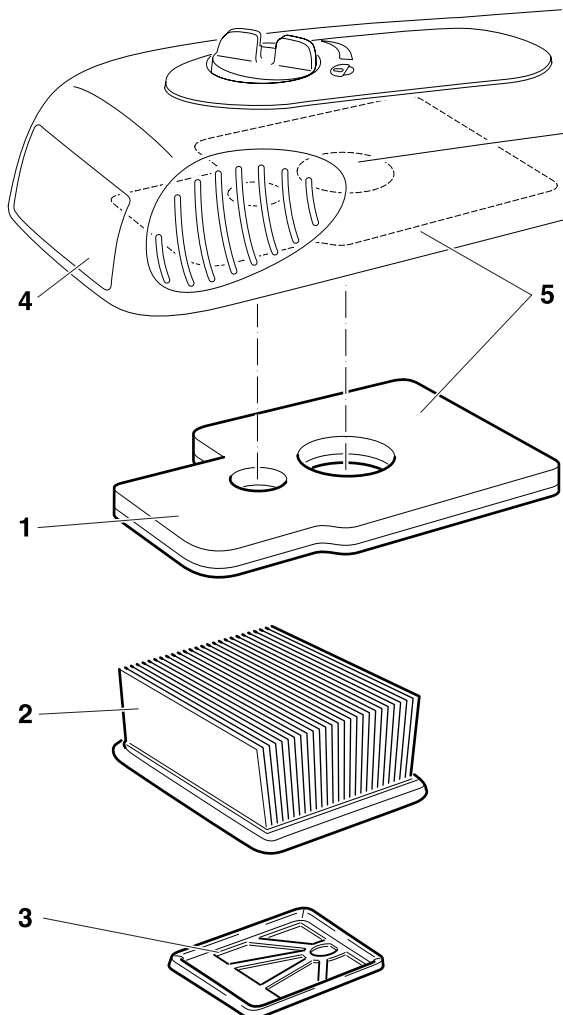
Bien sécher le pré-filtre.

NOTE: Le pré-filtre doit être nettoyé plusieurs fois par jour en cas de fort dégagement de poussières. Si un nettoyage n'est pas possible sur place, préparer le pré-filtre de réserve. Remplacer le pré-filtre au plus tard au bout de 25 heures de service.

Pour augmenter la capacité de filtrage, le pré-filtre peut être arrosé d'huile pour filtre à air. Avant d'utiliser l'huile pour filtre à air, nettoyer minutieusement avec le produit de nettoyage de filtre à air Effectuer ensuite l'entretien du filtre à air lubrifié comme sur les modèles DPC8111 et DPC8112.

En l'insérant dans le couvercle du filtre, aligner le pré-filtre sur le logement du couvercle et l'enfoncer dans le couvercle du filtre (5).

Le pré-filtre doit à fleur à tous les endroits du logement du filtre et être bien étanche.



Pré-filtre (mousse avec huile pour filtre à air)



**Uniquement pour les modèles
DPC8111 et 8112**

Nettoyage ou remplacement (pour les découpes avec fort dégagement de poussières):

- une fois par jour
ou au plus tard après
- 4 heures de service ou
- 8 pleins ou
- la consommation de 8 litres de mélange.

Nettoyage ou remplacement (en cas de découpe sous arrosage / de découpe d'acier):

- une fois par semaine
ou au plus tard après
- 25 heures de service ou
- 50 pleins ou
- la consommation de 55 litres de mélange.

Nettoyage: Enlever les plus grosses salissures à l'eau courante.

Verser 1 capuchon de produit nettoyant pour filtres MAKITA (réf. 980 008 627) dans la mousse du préfiltre (1, réf. 326 173 090) et malaxer pour bien faire mousser.

Rincer soigneusement le préfiltre à l'eau courante.

Bien sécher le pré-filtre.



Pour garantir l'entière capacité de filtrage, le pré-filtre **doit** fonctionner avec de l'huile pour filtre à air. Arroser le pré-filtre avec un capuchon (env. 20 ccm) d'huile pour filtre à air MAKITA (n° de commande 980 008 628, dégradable biologiquement).

Malaxer le pré-filtre pour répartir l'huile. Faire sortir ensuite l'huile excédentaire en pressant.

NOTE: En cas d'utilisation d'autres huiles pour filtre à air, observer impérativement les instructions du constructeur.

Si un nettoyage n'est pas possible sur place, préparer le pré-filtre de réserve prélubrifié (n° de commande 326 173 090).

En l'insérant dans le couvercle du filtre, aligner le pré-filtre sur le logement du couvercle et l'enfoncer dans le couvercle du filtre (5). Le pré-filtre doit être à fleur à tous les endroits du logement du couvercle et être bien étanche.

Filtre intérieur (tous les modèles)

Laver le pré-filtre sale (3, n° de commande 394 173 020) dans de l'eau savonneuse avec un produit à laver la vaisselle courant ou le produit de nettoyage de filtre MAKITA (n° de commande 980 008 627).

Bien sécher le filtre intérieur.

Cartouche de filtre à air (cartouche en papier, tous les modèles)

La cartouche de filtre à air (2, n° de commande 394 173 010) filtre l'air aspiré par un système de lamelles de filtre de papier très fin. C'est la raison pour laquelle la cartouche ne doit être en aucun cas lavée. Nettoyer la cartouche de filtre à air une fois par semaine.

Déployer légèrement la cartouche de filtre à air et la frapper avec précaution contre un support propre.

Remplacer la cartouche de filtre à air toutes les 100 heures de service. La remplacer immédiatement en cas de perte de puissance, de baisse de régime ou de dégagement d'épaisse fumée dans les gaz d'échappement.

Avant de monter le système de filtrage, contrôler si aucune poussière n'est tombée dans l'orifice d'aspiration. Les enlever si besoin est.

Remplacement de bougie



ATTENTION:

Les bougies d'allumage ou la fiche de la bougie ne doivent pas être touchés le moteur en marche (haute tension). N'effectuer des travaux de maintenance que si le moteur est arrêté.

Risque de brûlure lorsque le moteur est chaud: porter absolument vos gants de protection!

En cas de détérioration du corps isolant, d'usure importante des électrodes resp. d'électrodes très encrassées ou pleines d'huile, il faut procéder à un remplacement de la bougie (N° de commande 965 603 021).

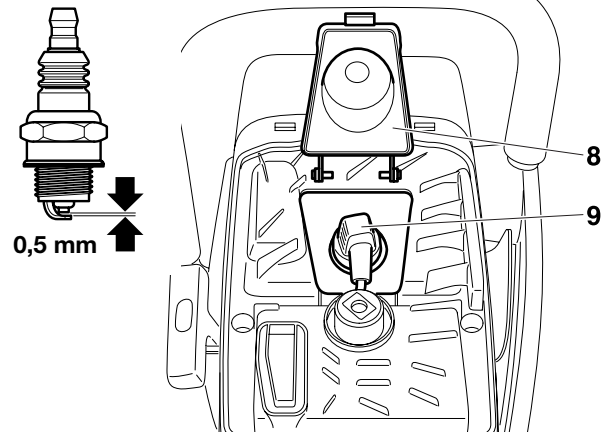
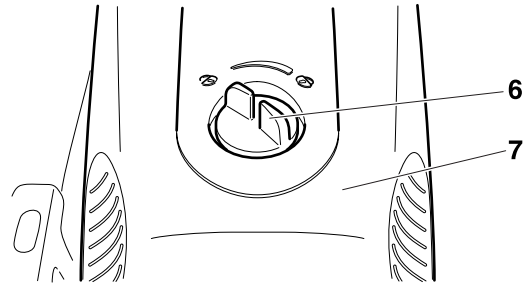
Tourner la pièce de verrouillage du couvercle (6) en position «déverrouillé» et retirer le couvercle du filtre (7) avec précaution.

Relever le couvercle de bougie (8).

Retirer la fiche de la bougie (9) de la bougie. Démonters la bougie uniquement avec la clé combinée comprise dans la fourniture.

Ecartement des électrodes

L'écartement des électrodes doit être de 0,5 mm.



Vérification de l'étincelle d'allumage

N'introduire la clé combinée (9) entre le capot et le cylindre que comme montré sur la figure.

ATTENTION!

Ne pas introduire la clé dans le trou de bougie, établir seulement un contact avec le cylindre (sinon risque de détérioration du moteur).

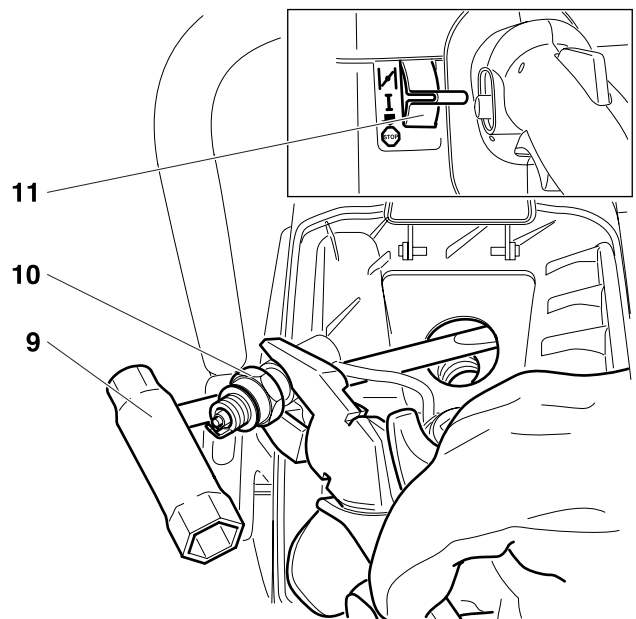
Presser contre la clé la bougie (10) dévissée avec la cosse bien posée au moyen d'une clé isolée (dans le sens inverse du trou de bougie!)

Pousser le commutateur combiné (11) en position «I».

Tirer fortement sur le cordon de lancement.

En fonctionnement correct, l'étincelle doit être visible sur les électrodes.

ATTENTION: N'utilisez comme rechange que les bougies BOSCH WSR 6F, CHAMPION RCJ-6Y oder NGK BPMR 7A.



Remplacement de la crépine d'aspiration

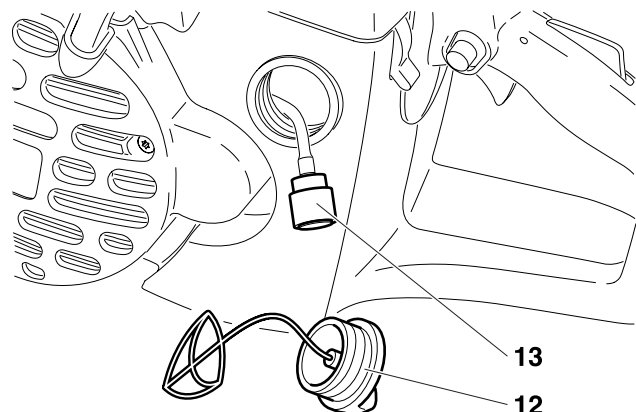
Le filtre feutre (13) de la crépine d'aspiration peut se boucher pendant l'utilisation. Pour assurer une alimentation sans problème du carburant vers le carburateur, la crépine d'aspiration devra être remplacée environ tous les 3 mois.

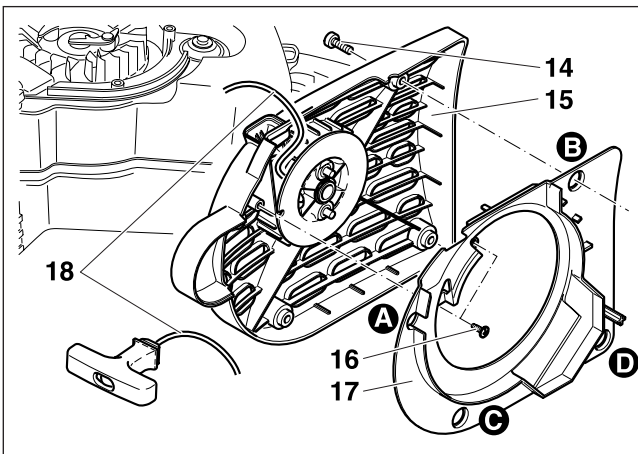
Dévisser le bouchon du réservoir (12), sortir de la bouche du réservoir l'élément de blocage contre la perte.

Nettoyer le réservoir carburant.

Tirer la crépine d'aspiration à travers la bouche du réservoir au moyen d'un crochet en fil métallique.

Attention: Eviter tout contact du carburant avec la peau!

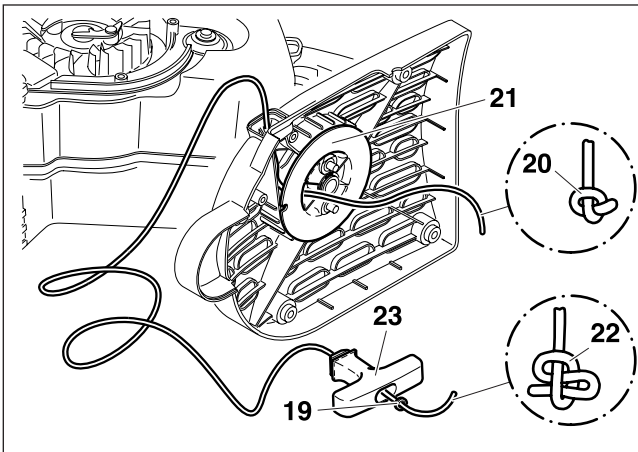




Remplacement du cordon de lancement



Serrer les quatre vis (14). Retirer le carter du démarreur (15). Dévisser les deux vis (16) et retirer avec précaution la canalisation d'air (17) du carter du démarreur (15), en suivant l'ordre donné (A - B - C - D). Enlever les anciens restes de cordon (18).

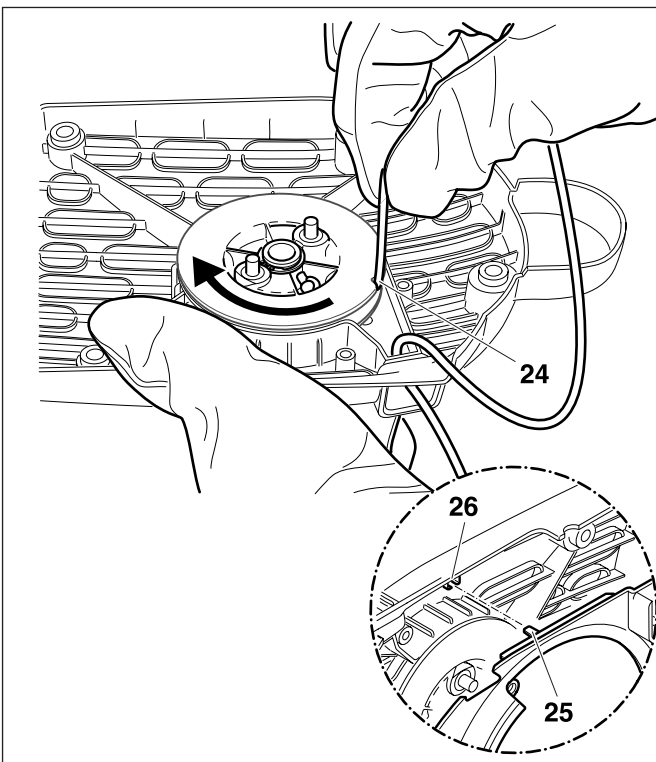


Enfiler le nouveau cordon de lancement (\varnothing 4,0 mm, 1000 mm de long), comme montré sur la figure (sans oublier la rondelle (19)) et faire un nœud aux deux extrémités.

Insérer le nœud (20) dans le tambour d'enroulement (21).

ATTENTION: Le nœud ou l'extrémité du cordon de lancement ne doit pas dépasser la surface du tambour d'enroulement.

Insérer le nœud (22) dans la poignée de lancement (23).



Introduire le cordon dans l'évidement (24) sur le tambour d'enroulement et tourner deux fois le tambour d'enroulement avec le cordon dans le sens de la flèche.

Tenir le tambour d'enroulement de la main gauche, démêler le cordon de la main droite, tendre et tenir le cordon.

Lâcher le tambour. Par l'effet de ressort, le cordon s'enroule sur le tambour.

Répéter trois fois l'opération. La poignée de lancement doit être maintenant verticale au niveau du carter du démarreur.

INDICATION: Si la corde de lancement est tirée fortement, le tambour d'enroulement doit pouvoir faire un moins un 1/4 de tour contre l'effort de ressort.

ATTENTION:

Risque de blessure! Bien tenir la poignée de lancement qui a été tirée vers l'extérieur. Elle peut rebondir en arrière si vous relâchez par inadvertance le tambour d'enroulement.

Monter la canalisation d'air (17) dans l'ordre inverse. S'assurer que le guidage (25) est posé dans la réception (26) sur le carter du démarreur.

En posant le carter du démarreur, tirer légèrement la poignée de lancement jusqu'à ce que le dispositif de lancement s'enclenche.

Remplacement du ressort de rappel



Retirer le carter du démarreur (cf. Chapitre « Remplacer le cordon de lancement »).

Enlever la canalisation d'air du carter du démarreur (cf. Chapitre « Remplacer le cordon de lancement »).

Enlever le circlip (1) (pince pour les circlips extérieurs, voir accessoires).

Retirer le tambour d'enroulement (2).

Dévisser les vis (3).

Soulever le ressort de rappel (4) de son ancrage au moyen d'un tournevis ou d'un outil similaire en un mouvement régulier **en recourant à une attention extrême. Le ressort de rappel est prétendu et peut sauter de la cassette!**

ATTENTION: Risque de blessure! Porter impérativement des lunettes de protection et des gants de protection en effectuant ce travail!

Les ressorts de rappel de remplacement sont fournis tendus dans le carter. **ATTENTION, le ressort de rappel peut sauter.** Une fois enlevé, le ressort de rappel peut être réinséré comme suit (**respecter le sens de rotation !**).

Graisser légèrement le nouveau ressort de rappel (4) avant de le monter dans le carter du démarreur avec de la graisse multi-usage, réf. 944 360 000, puis remettre le ressort de rappel (4) en place et le presser légèrement de façon à ce que les éclisses (5) s'enclenchent dans les logements.

Ne pas graisser le tambour d'enroulement (2) et le tourillon!

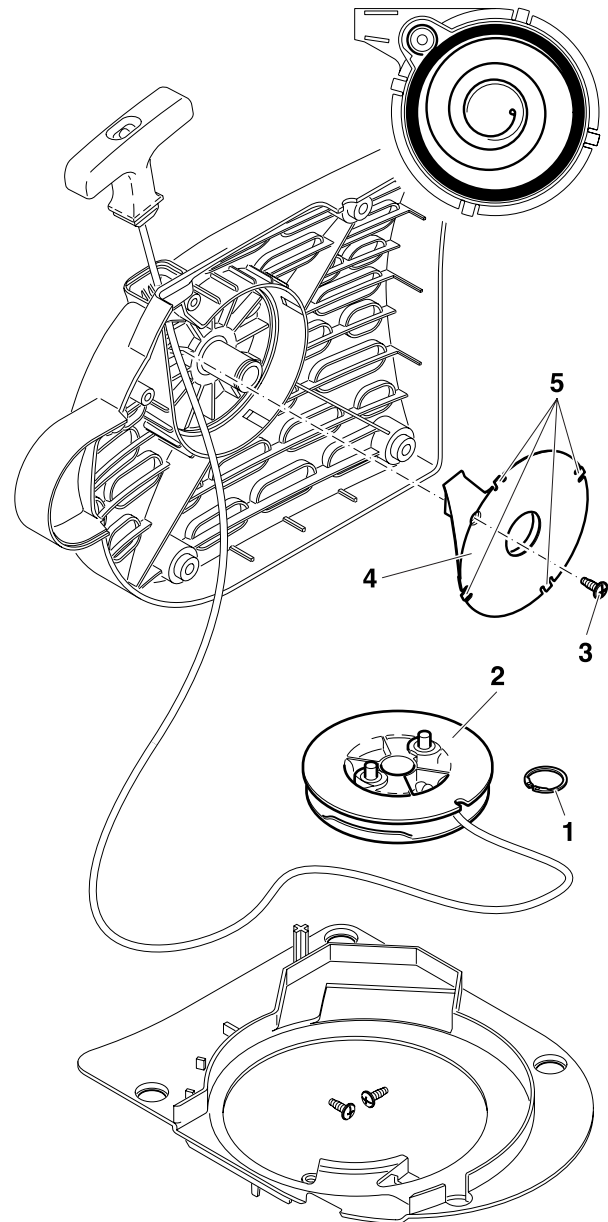
Introduire la vis (3) et ne la serrer que légèrement.

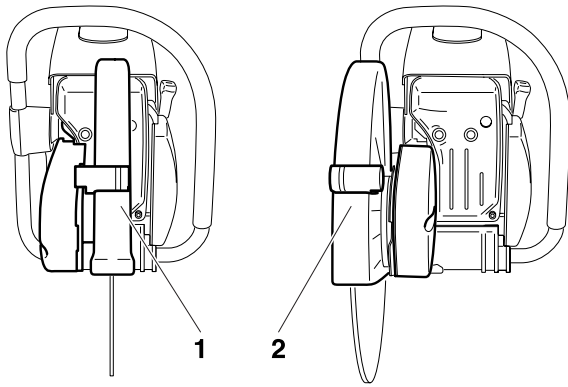
Tourner légèrement le tambour d'enroulement en le posant jusqu'à ce qu'il s'enclenche correctement. Monter le circlip

Enrouler le cordon de lancement (voir chapitre „Remplacement de la corde de lancement“).

Monter le déflecteur de ventilateur (voir chapitre „Remplacement de la corde de lancement“).

En posant le carter du démarreur, tirer légèrement la poignée de lancement si besoin est jusqu'à ce que le dispositif de lancement s'enclenche.

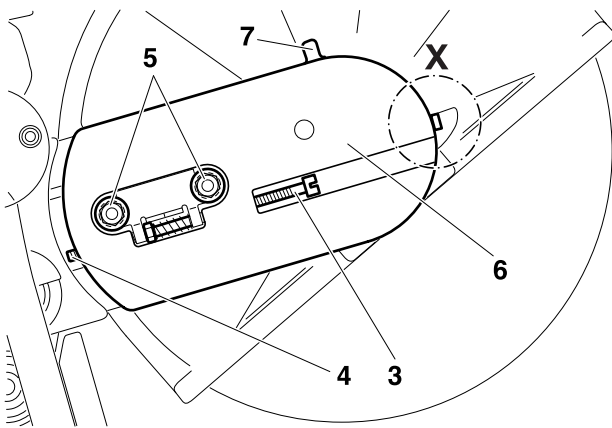




Dispositif de coupe en position médiane / position extérieure

ATTENTION: Le dispositif de découpage a été monté par l'usine pour le montage en position médiane (1). En cas d'obstacles se trouvant à toute proximité du tracé du découpage (par exemple bordure ou murs), le dispositif de découpage peut être monté en position extérieure (2). N'utilisez la position extérieure de la découpeuse que pour le travail à effectuer.

Remontez-la ensuite en position médiane. Quand le dispositif de découpage est en position médiane, la découpeuse a un meilleur centre de gravité empêchant ainsi une fatigue prématurée.



Démonter le dispositif de coupe

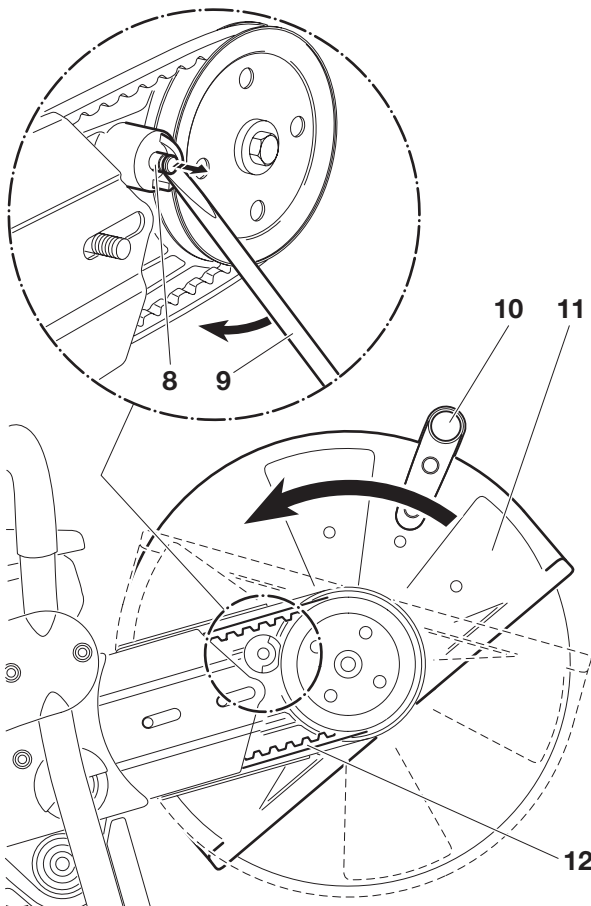


Desserrer les écrous (5).

Desserrer la vis de tension (3) (dans le sens inverse des aiguilles) jusqu'à ce que l'extrémité de la vis (4) soit visible dans la fente.

Dévisser et enlever la vis (détail X, uniquement sur le modèle DPC8112).

Dévisser les écrous (5) et enlever le couvercle (6).



Retirer le boulon de butée (8) en le levant avec la clé universelle (9) comme montré sur la figure jusqu'à ce que le capot de protection (11) puisse être tourné.

NOTE : La butée de torsion (7) se désactive quand le boulon de butée (8) est retiré ce qui permet de pouvoir retirer le capot de protection (11) au-dessus de la butée de torsion (7).

Dévisser la poignée (10) et tourner le capot de protection (11) comme montré sur la figure.

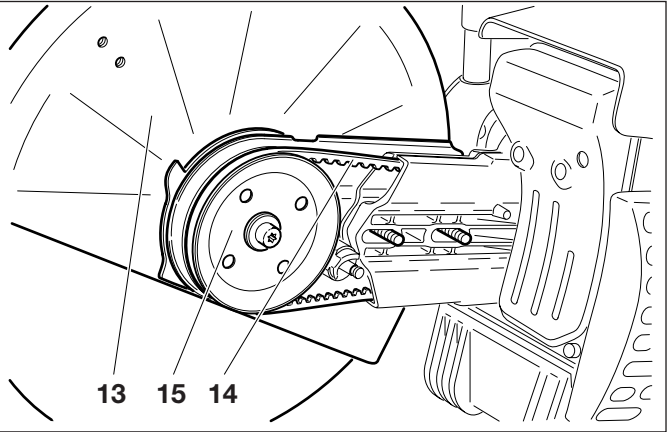
Décrocher la courroie trapézoïdale (12) et retirer le dispositif de séparation.

NOTE: Le dessin montre la courroie trapézoïdale des modèles DPC6410 - 7321.

Presser le dispositif de séparation (13) en position extérieure contre le logement du bras d'embrayage.

Mettre la courroie trapézoïdale (14) sur la poulie de courroie (15).

NOTE: Le dessin montre la courroie trapézoïdale des modèles DPC6410 - 7321.



Poser le couvercle (16).

Visser les écrous (17) et les serrer à la main.

Tendre la courroie comme décrit au chapitre «Tendre la courroie / Contrôler la tension».

Visser et serrer à bloc la vis (détail X, uniquement sur le modèle DPC8112).

Serrer bien les écrous (17) avec la clé combinée.

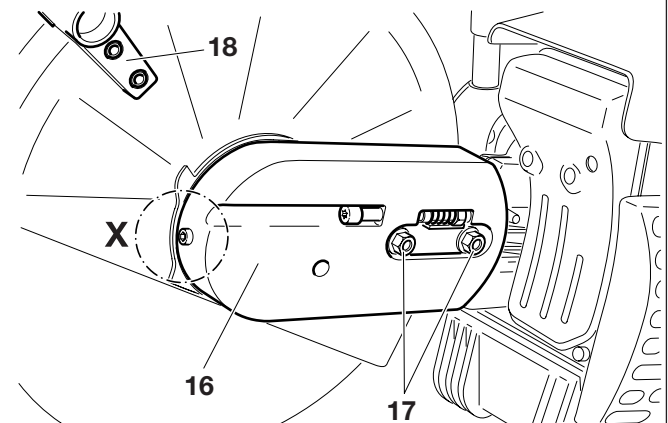
Remonter la poignée (18) comme décrit sur la Figure.

ATTENTION:

Après chaque modification de montage du dispositif de coupe, le sens de rotation du disque de découpe change!



Observer le sens de rotation du disque à découper, si indiqué sur le disque à découper.



Changement / nettoyage du pare-étincelles



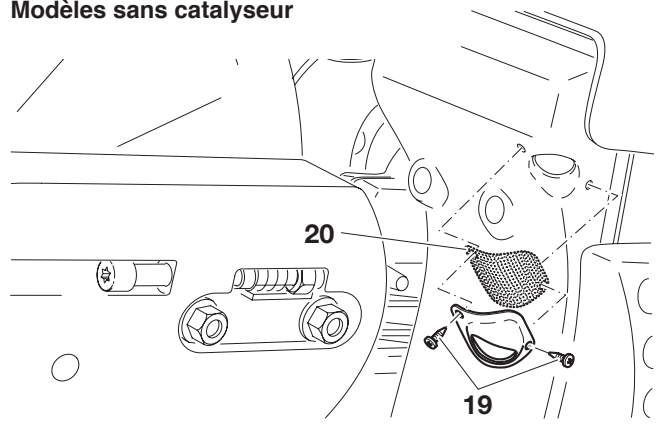
Il faut vérifier et nettoyer régulièrement le pare-étincelles.

Modèles sans catalyseur

Desserrer les 2 vis (19) et enlever le pare-étincelles (20).

Remontez le pare-étincelles et serrez la vis.

Modèles sans catalyseur

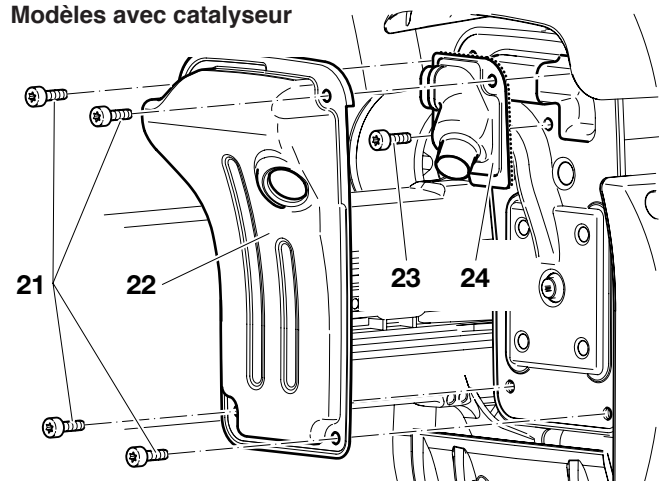


Modèles avec catalyseur

Desserrer et dévisser les vis (21). Enlever la coquille avant du silencieux (22).

Desserrer et dévisser la vis (23). Enlever le déflecteur avec l'écran pare-étincelles (24).

Modèles avec catalyseur



ATTENTION:

N'utilisez pas d'objets coupants ou pointus pour nettoyer le pare-étincelles car vous pourriez endommager ou déformer les fils du pare-étincelles.

Remontez le pare-étincelles et serrez la vis.

Information concernant le catalyseur: Le catalyseur réduit la teneur en éléments toxiques des gaz d'échappement.

ACCESSOIRES OPTIONNELS

Disques à découper en diamant (1)

En vue de satisfaire les exigences en matière de sécurité, de confort de travail et de fournir une solution économique lors des découpages, la gamme MAKITA contient des disques à découper au diamant. Elles servent au découpage de toutes les matières **à l'exception du métal**.

La grande compacité des grains du diamant réduit l'usure et garantit ainsi une longue durabilité pour des diamètres de disques restant pratiquement identiques. Il en résulte des rendements de coupe presque constants et une rentabilité élevée. Les propriétés excellentes des disques à découper en diamant permet ainsi un travail sans fatigue.

Les disques en métal très stables présentent des propriétés de concentricité très élevées permettant d'éviter en grande partie les vibrations du disque à découper.

L'utilisation de disques à découper au diamant réduit considérablement la durée de découpage. Il en résulte ainsi des frais d'exploitation moins élevés (consommation de carburant, pièces de rechange, réparations et pollution).

Le chariot de guidage (2)

Le chariot de guidage MAKITA facilite une conduite droite de la découpeuse. Il permet en même temps un travail sans fatigue et peut s'adapter aux dimensions de l'utilisateur. La découpeuse peut fonctionner avec le dispositif de découpage tant en position médiane qu'extérieure.

NOTE: Avant de monter la découpeuse DPC8112 sur le chariot de guidage, démonter impérativement le pied (voir illustration (*)) dans le chapitre « Extrait de la liste des pièces de rechange »).

Pour faciliter le ravitaillement en essence en cas d'utilisation du chariot de guidage, il est recommandé de monter un bouchon de réservoir angulaire sur le réservoir (3).

Le réducteur de profondeur est un plus en matière de confort de travail et de précision de coupe. Il permet de respecter exactement la profondeur de coupe exigée (4).

Pour éviter les poussières pendant le découpage et pour un meilleur refroidissement du disque à découper, MAKITA offre selon le mode d'utilisation de la découpeuse plusieurs variantes permettant le mouillage du disque à découper à l'eau.

Le réservoir d'eau (5)

Le réservoir d'eau est prévu pour être monté sur le chariot de guidage. Son importante capacité vous permet de l'utiliser lorsque vous changez en permanence d'endroit. Pour remplir le réservoir ou utiliser des réservoirs de rechange, il suffit simplement de soulever du chariot de guidage.

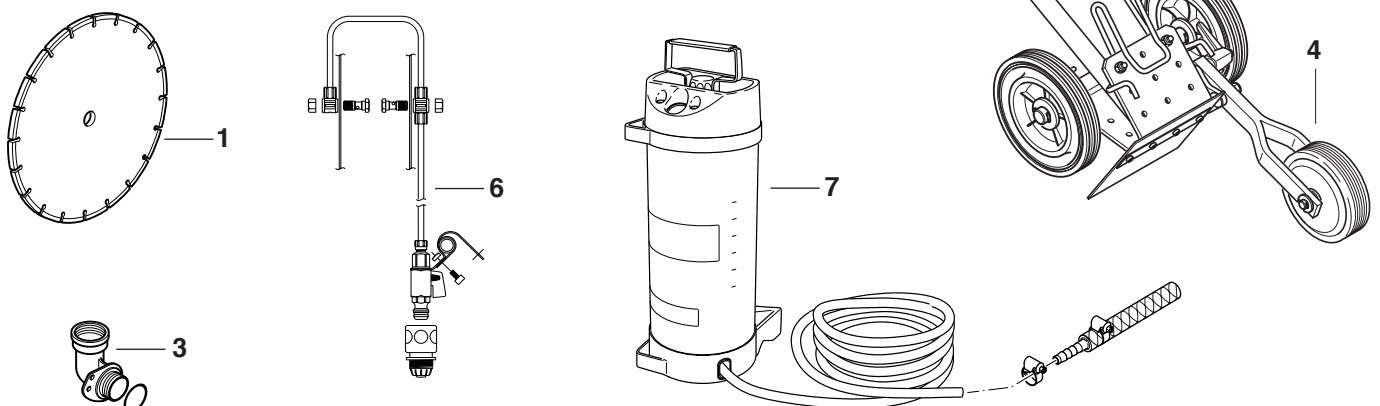
Toutes les branchements nécessaires et les conduites d'eau sont fournis. Le logement prévu sur le chariot de guidage et sur la découpeuse permet un montage rapide et très facile à effectuer.

La conduite d'eau au réseau / réservoir (6)

La conduite d'eau sous pression est conçue pour être montée sur la découpeuse. Celle-ci peut être utilisée en relation avec le chariot de guidage. La conduite d'eau sous pression convient particulièrement lorsque vous travaillez avec la découpeuse de manière stationnaire. Au moyen d'un accouplement de rupture rapide, l'eau peut être alimentée soit au moyen du réseau d'alimentation d'eau soit par le réservoir d'eau sous pression (7).

Toutes les branchements nécessaires et les conduites d'eau sont fournis. Le logement prévu sur le chariot de guidage et sur la découpeuse permet un montage rapide et très facile à effectuer.

N° de commande voir „Accessoires“.



Indications de maintenance et d'entretien périodiques

Pour obtenir une longue durée de vie et pour éviter des détériorations, il faut effectuer régulièrement les travaux de maintenance décrits ci-après. Des demandes en garantie ne pourront être acceptées que si les travaux ont été effectués régulièrement et d'une façon ordonnée. Les utilisateurs des découpeuses ne sont pas autorisés à effectuer les travaux de maintenance et d'entretiens décrits dans la présente documentation. Les travaux non compris dans cette liste ne doivent être exécutés que dans un atelier spécialisé de MAKITA.

Page

Généralités	Découpeuse dans l'ensemble	Nettoyer l'extérieur et vérifier si elle n'est pas détériorée. En cas de détériorations, faire effectuer immédiatement les réparations par un spécialiste.	
	Disque à découper	Contrôler régulièrement si elle n'est pas endommagée ou usée	39
	Embrayage Capot de protection	Faire vérifier dans un atelier spécialisé Nettoyer, Vérifier la position (tôle de butée)	50
Avant toute mise en route	Disque à découper	Contrôler s'il est endommagé et si le disque de découpe monté convient pour l'utilisation prévue.	39
	Courroie	Contrôler la tension de courroie	47
	Capot de protection	Régler la position	
	Commutateur combiné	Vérifier le fonctionnement	
	Touche de blocage de sécurité Levier de gaz	Vérifier le fonctionnement	50
	Bouchon du réservoir	Vérifier l'étanchéité et la présence de fuites	
Journelement	Filtre à air	Nettoyage (plus fréquent si nécessaire), entretien du pré-filtre (mousse) selon le chapitre Nettoyage / Remplacement du filtre à air	54-55
	Vitesse de rotation à vide	Contrôler (Le disque à découper ne doit pas tourner)	52
	Extrêmement sali	Nettoyer cartouche de papier	54-55
Toutes les semaines	Carter du démarreur	Nettoyer pour garantir un parfait guidage de l'air de refroidissement.	45
	Cordon de lancement	Vérifier s'il n'est pas détérioré	57
	Courroie	Contrôler la tension de courroie, vérifier si elle n'est pas endommagée ou usée.	47, 53
	Cartouche de filtre à air	Nettoyer, remplacer au bout de 100 heures	54-55
	Bougie	Vérifier, le cas échéant, remplacer	56
	Silencieux	Vérifier l'étanchéité, nettoyer ou remplacer le pare-étincelles si nécessaire	45 / 60
	Vis et écrous	Vérifier l'état et le serrage correct	
Tous les 3 mois	Crépine d'aspiration	Remplacer	
	Réservoirs carburant	Nettoyer	56
Tous les ans	Disque à découper entier	Faire vérifier par un atelier spécialisé	
Stockage	Découpeuse dans l'ensemble	Nettoyer l'extérieur et vérifier si elle n'est pas détériorée. En cas de détériorations, faire effectuer immédiatement les réparations par un spécialiste.	
	Disque à découper	Démonter et nettoyer	
	Réservoirs carburant Carburateur	Vidanger et nettoyer Le laisser se vider en marche	46

Service d'atelier, pièces de rechange et garantie

Maintenance et réparations

L'entretien et la remise à neuf des découpeuses modernes ainsi que des éléments importants pour la sécurité exigent une certaine qualification et un atelier spécialisé équipé des outils spéciaux et des appareils de contrôle adéquats.

Tous les travaux non décrits dans ce manuel d'utilisation doivent être effectués par un atelier MAKITA spécialisé.

Le spécialiste dispose de la formation, de l'expérience et des équipements nécessaires pour vous apporter chaque fois la solution économique la plus avantageuse et vous apporte une aide d'assistance en pratique et en conseil. Le droit à la garantie s'annule en cas de réparations tentées par des tiers ou des personnes non autorisées. Vous y recevrez l'adresse de l'atelier spécialisé la plus proche de chez vous.

Pièces de rechange

Le fonctionnement permanent fiable et la sécurité de votre appareil dépend aussi de la qualité des pièces de rechange utilisées. N'utilisez que des pièces de rechange d'origine MAKITA, signalées par 

Seulement les pièces d'origine proviennent de la production de l'appareil et garantissent donc une qualité optimale en ce qui concerne les matériaux, le respect de cotes, le fonctionnement et la sécurité.

Les pièces accessoires et de rechange d'origine vous sont proposées par votre vendeur spécialisé. Il dispose des listes de pièces de rechange nécessaires pour déterminer le numéro de la pièce de rechange nécessaire, et vous informera à fur et à mesure des améliorations de détail et des nouveautés dans l'offre des pièces de rechange.

Veillez aussi noter, qu'en utilisant des pièces qui ne sont pas d'origine de MAKITA vous perdez tout droit à la garantie de l'organisation MAKITA.

Au cas où des pièces non d'origine provoqueraient de détériorations, nous n'assurons pas les frais qui en découleraient.

Garantie

MAKITA garantit une qualité irréprochable et supporte les frais pour une amélioration par remplacement des pièces défectueuses dans le cas de défauts de matériel ou de fabrication qui se présentent dans le délai de garantie après le jour de vente. Veuillez noter que dans certains pays, il existe des conditions de garantie spécifiques. Adressez vous, en cas de doute, à votre vendeur. En tant que vendeur du produit, il doit vous assurer la garantie.

Nous vous prions de comprendre que nous ne pouvons pas assurer la garantie pour les causes de détériorations suivantes:

- Non respect de la notice d'emploi
- Non exécution des travaux de maintenance et réparations nécessaires
- Détériorations par suite d'un réglage non conforme du carburateur
- Usure normale
- Surcharge manifeste par dépassement permanent de la limite supérieure de la puissance
- Utilisation de découpeuses non d'origine MAKITA
- Forçage, traitement non conforme, emploi non autorisé ou cas d'accidents
- Détériorations de surchauffe causées par des encrassements du carter du ventilateur.
- Interventions de personnes non compétentes ou essais de réparations non conformes
- Utilisation de pièces de rechange non appropriées resp. de pièces non d'origine MAKITA, dans la mesure où elles sont sources de détériorations
- Utilisation de produits de fonctionnement inadaptés ou superposés
- Détériorations provenant de conditions d'utilisation du magasin de location
- Endommagements causés par fixation dévissée et non resserrée à temps.

Les travaux de nettoyage, d'entretien et de réglage ne sont pas reconnus comme prestations de garantie. Tout travail au titre de la garantie est à effectuer par le vendeur spécialiste MAKITA.

Recherche de pannes

Panne	Système	Observation	Origine
La découpeuse ne démarre pas	Embrayage	Moteur tourne	Panne au niveau de l'embrayage
Disque à découper tourne au ralenti	Carburateur, Accouplement	Disque à découper tourne	Réglage du ralenti incorrect, embrayage bloqué
Moteur ne démarre pas ou démarre difficilement	Système d'allumage Alimentation carburant Système de compression Défaut mécanique	Allumage existe Pas d'allumage Réservoir carburant rempli A l'intérieur de l'appareil A l'extérieur de l'appareil Lanceur n'accroche pas	Défaut dans l'alimentation du carburant, système de compression, défaut mécanique Commutateur STOP enclenché, défaut ou court-circuit dans le câblage, fiche de bougie, bougie défectueuse Choke en mauvaise position, carburateur défectueux, crépine d'aspiration bouchée, conduite de carburant sectionnée ou coincée Joint du pied de cylindre défectueux, bagues à lèvres endommagées, segments de cylindre ou de pistons endommagés Bougie n'est pas étanche Ressort dans le démarreur brisé, pièces brisées à l'intérieur du moteur
Problèmes de démarrage à chaud	Carburateur	Carburant dans réservoir Étincelle existante	Réglage du carburateur non correct
Moteur démarre, mais s'arrête immédiatement après	Alimentation carburant	Carburant dans réservoir	Réglage du ralenti non correct, crépine d'aspiration ou carburateur encrassé Aération réservoir défectueux, conduite carburant interrompue, câble défectueux, commutateur STOP endommagé, Soupape de décompression encrassé
Manque puissance	Plusieurs systèmes peuvent être mis en cause	Appareil tourne au ralenti	Filtre à air encrassé, faux réglage du carburateur, silencieux bouché, tuyau d'échappement des gaz dans le cylindre est bouché, pare-étincelles bouché

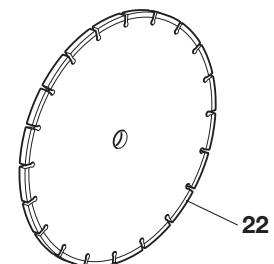
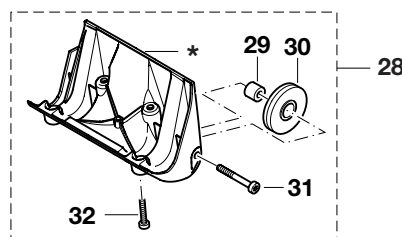
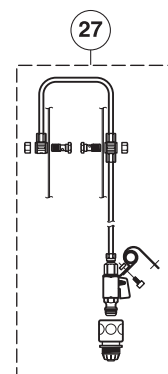
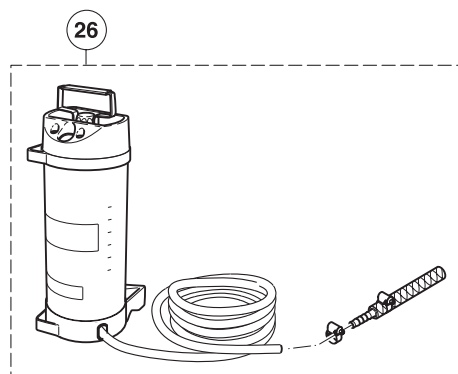
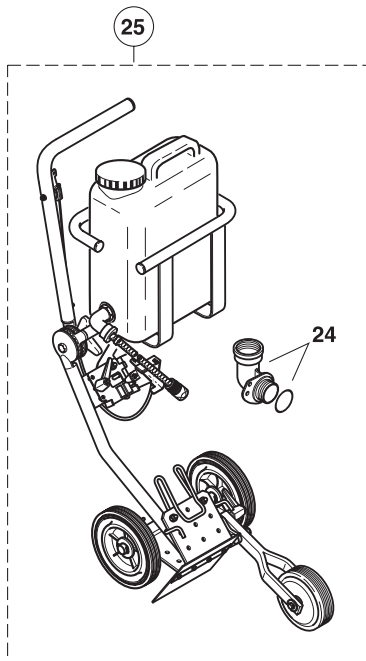
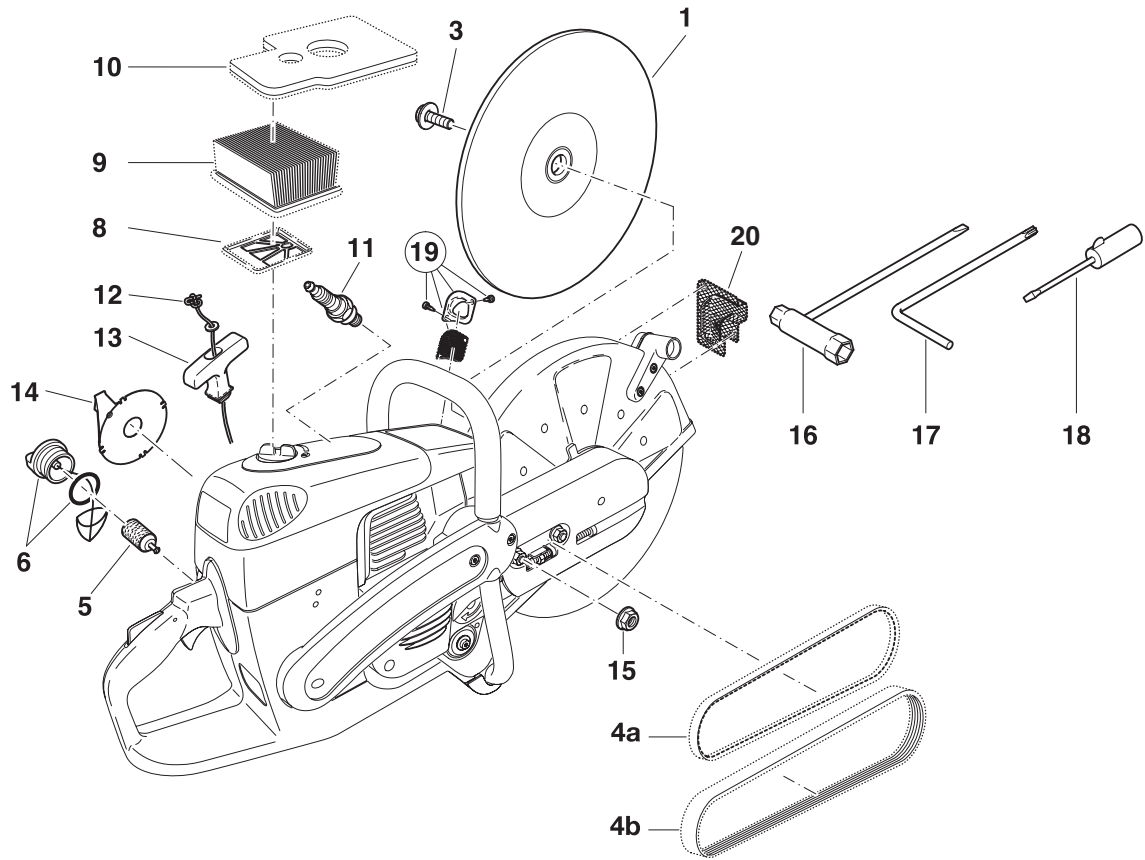
Extrait de la liste des pièces de rechange

N'utilisez que des pièces de rechange d'origine MAKITA. Pour les réparations et la rechange pour d'autres pièces, votre atelier spécialisé MAKITA est compétent.

DPC6410, 6411

DPC7310, 7311, 7320, 7321

DPC8111, 8112



Extrait de la liste des pièces de rechange

N'utilisez que des pièces de rechange d'origine MAKITA. Pour les réparations et la rechange pour d'autres pièces, votre atelier spécialisé MAKITA est compétent.

DPC6410, 6411

DPC7310, 7311, 7320, 7321

DPC8111, 8112



Pos.	N°MAKITA	pcs.	Désignation
Disque à découper à la résine			
1	966 121 150	1	Pour l'acier, diam. 300/20 mm (12"/0.8")
	966 141 150	1	Pour l'acier, diam. 350/20 mm (14"/0.8")
	966 144 150	1	Pour l'acier, diam. 350/25,4 mm (14"/1.0")
	966 161 150	1	Pour l'acier, diam. 400/20 mm (16"/0.8")
1	966 121 120	1	Pour la pierre, diam. 300/20 mm (12"/0.8")
	966 141 120	1	Pour la pierre, diam. 350/20 mm (14"/0.8")
	966 144 120	1	Pour la pierre, diam. 350/25,4 mm (14"/1.0")
	966 161 120	1	Pour la pierre, diam. 400/20 mm (16"/0.8")
3	994 280 250	1	Vis hexagonale M8x25
4a	965 300 470	1	Courroie (pour DPC6410 - 7321)
4b	965 300 490	1	Courroie (pour DPC8111)
4b	965 300 480	1	Courroie (pour DPC8112)
5	963 601 120	1	Crépine d'aspiration
6	010 114 091	1	Bouchon de réservoir complet (essence)
8	394 173 020	1	Filtre intérieur
9	394 173 010	1	Cartouche de filtre à air (cartouche en papier)
10	326 173 080	1	Pré-filtre (mousse, pour DPC6410 - 7321)
10	326 173 090	1	Pré-filtre (mousse, pour DPC8111, 8112)
11	965 603 021	1	Bougie
12	122 164 010	1	Cordon de lancement ø4,0x1000 mm
13	001 161 020	1	Poignée de lancement
14	394 163 020	1	Ressort de rappel dans carter
15	923 208 004	2	Ecrou hexag. M8
16	941 719 140	1	Clé combinée Ouverture 13/19
17	940 827 000	1	Tournevis coudé T27
18	944 340 001	1	Tournevis (carburateur)
19	394 174 140	1	Pare-étincelles cpl.
20	394 174 340	1	Tamis protecteur étincelles cpl. (Pour les modèles avec catalysateur)

Accessoires (non compris dans la livraison)

Disque à découper en diamant

22	966 221 020	1	Béton Standard diam. 300/20 mm (12"/0.8")
22	966 321 020	1	Béton DiaDuran diam. 300/20 mm (12"/0.8")
22	966 221 010	1	Asphalte Standard diam. 300/20 mm (12"/0.8")
22	966 321 010	1	Asphalte DiaDuran diam. 300/20 mm (12"/0.8")
22	966 241 020	1	Béton Standard diam. 350/20 mm (14"/0.8")
22	966 341 020	1	Béton DiaDuran diam. 350/20 mm (14"/0.8")
22	966 241 010	1	Asphalte Standard diam. 350/20 mm (14"/0.8")
22	966 341 010	1	Asphalte DiaDuran diam. 350/20 mm (14"/0.8")
22	966 244 020	1	Béton Standard diam. 350/25,4 mm (14"/1.0")
22	966 344 020	1	Béton DiaDuran diam. 350/25,4 mm (14"/1.0")
22	966 244 010	1	Asphalte Standard diam. 350/25,4 mm (14"/1.0")
22	966 344 010	1	Asphalte DiaDuran diam. 350/25,4 mm (14"/1.0")
-	394 228 121	1	Anneau adaptateur diam. 0.8"/1.0" (20/25,4 mm)
24	010 114 081	1	Bouchon de réservoir angulaire cpl.
25	700 394 353	1	Chariot de guidage DT2000 cpl.
26	957 802 600	1	Réservoir d'eau sous pression cpl.
27	394 365 631	1	Conduite d'eau au réseau d'alimentation cpl.
28	394 114 271	1	Pied à roulettes complet (fourni seulement sur le modèle DPC8112, toutefois sans poste 29, 30, 31)
29	394 114 240	2	Douille
30	394 114 230	2	Roulette
31	908 006 355	2	Vis à étoile intérieure
32	913 350 164	4	Vis à étoile intérieure
-	949 000 035	1	Nourrice combinée (5l carburant, 2,5l huile)
-	980 008 627	1	Nettoyant pour filtres (0,5l)
-	980 008 628	1	Huile pour filtre à air (1,0l)



Makita U.S.A., Inc.

14930 Northam Street
La Mirada,
CA 90638-5753

Makita Canada Inc.

DOLMAR Division
1950 Forbes Street
Whitby, Ontario
Canada, L1N 7B7

Form: 995 704 732 (11.07 GB, F)

Specifications subject to change without notice
Changements sans préavis

Free Manuals Download Website

<http://myh66.com>

<http://usermanuals.us>

<http://www.somanuals.com>

<http://www.4manuals.cc>

<http://www.manual-lib.com>

<http://www.404manual.com>

<http://www.luxmanual.com>

<http://aubethermostatmanual.com>

Golf course search by state

<http://golfingnear.com>

Email search by domain

<http://emailbydomain.com>

Auto manuals search

<http://auto.somanuals.com>

TV manuals search

<http://tv.somanuals.com>