

SPARE PARTS LIST

MODEL NO. JV0600

ITEM	PART NO.	DESCRIPTION	QTY	NOTE
001	682569-2	CORD GUARD 8-85	1	
002	665394-6	POWER SUPPLY CORD 1.0-2-2.5	1	
003	645149-5	NOISE SUPPRESSOR	1	
004	654532-5	TERMINAL BLOCK 1P	1	
005	650202-4	SWITCH SGEL115CDY-8	1	
006	233151-6	COMPRESSION SPRING 4	1	
007	216008-6	STEEL BALL 4	1	
008	272269-8	LEVER 18	1	
009	187163-0	HOUSING SET INC. 40	1	
010	318751-4	HOUSING COVER	1	
011	643552-4	BRUSH HOLDER 5-8	2	
012	191627-8	CARBON BRUSH CB-64	1	
013	265995-6	TAPPING SCREW 4X18	2	
014	687124-5	STRAIN RELIEF	1	
015	620046-6	CONTROLLER	1	
016	213038-8	O RING 5	1	
017	313082-6	SLIDER GUIDE	1	
018	213038-8	O RING 5	1	
019	326092-4	SAFETY WIRE	1	
020	232183-0	LEAF SPRING	1	
021	346473-6	SLIDER GUIDE PLATE	1	
022	268090-1	PIN 4	1	
023	310484-7	SLIDER	1	
024	961017-7	STOP RING E-3	1	
025	253180-3	FLAT WASHER 10	1	
026	257804-3	SHOULDER SLEEVE 7	1	
027	212965-6	NEEDLE CAGE 407	1	
028	141026-4	GEAR COMPLETE	1	
029	313216-1	BALANCE PLATE	1	
030	961002-0	RETAINING RING S-6	1	
031	253715-0	FLAT WASHER 6	1	
032	416703-0	DUST SEAL	1	
033	346471-0	PUSH PLATE	1	
034	141029-8	BEARING CASE COMPLETE	1	
035	210005-4	BALL BEARING 608DDW	1	
036	240115-3	FAN 55	1	
037	518871-6	ARMATURE ASS'Y 220V INC. 35,36,38	1	
038	210023-2	BALL BEARING 627DDW	1	
039	633789-1	FIELD 240V	1	
040	187163-0	HOUSING SET INC. 9	1	
041	869972-6	JV0600 NAME PLATE	1	
042	141028-0	RETAINER COMPLETE	1	
043	256206-0	PIN 4	1	
044	343540-8	HOLDER	2	
045	317796-9	BASE	1	
046	345441-6	BASE PLATE	1	
047	912107-9	COUNTERSUNK HEAD SCREW M4X8	4	
048	344685-5	CLAMP COMPLETE	1	
049	922138-0	H.S.H.BOLT M4X20 WITH WR	1	
050	265995-6	TAPPING SCREW 4X18	10	
051	922118-6	HEX. SOCKET HEAD BOLT M4X12	1	
052	313215-3	SLIDER SUPPORT	1	
053	424436-3	POLYURETHANE SPONGE SEAL	1	
054	346470-2	SEAL PLATE	1	
055	424437-1	DUST COVER	1	
056	962063-3	RETAINING RING R-13	1	
057	165654-1	ROD	1	
058	256528-8	PIN 2	1	

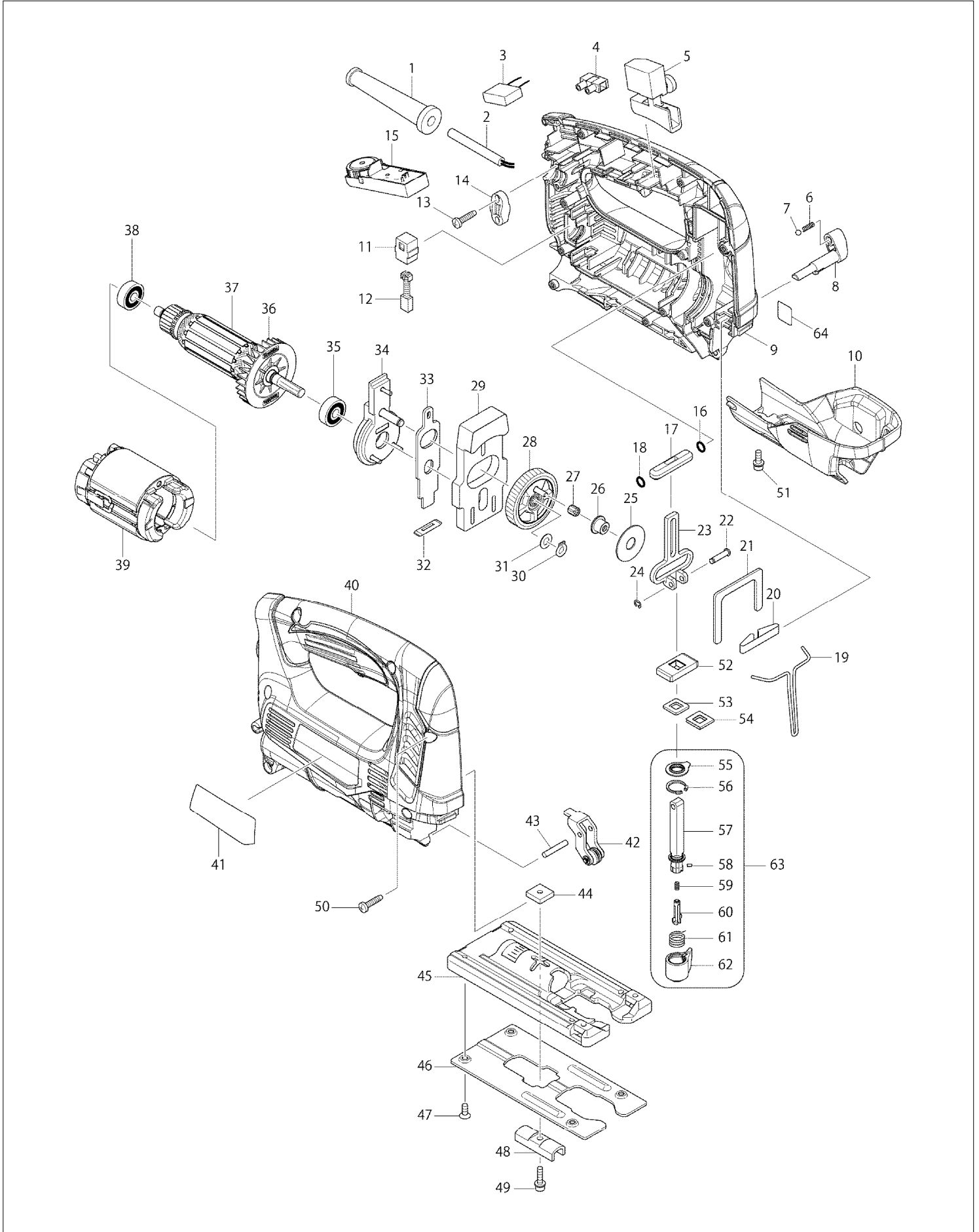
SPARE PARTS LIST

MODEL NO. JV0600

ITEM	PART NO.	DESCRIPTION	QTY	NOTE
059	233314-4	COMPRESSION SPRING 4	1	
060	310485-5	LOCK PIN	1	
061	233591-8	TORSION SPRING 10	1	
062	452850-3	INSERT HOLDER	1	
063	135482-8	ROD ASS'Y	1	
		INC. 55-62		
A01	A-85628	JIGSAW BLADE NO.B10	1	
A02	783201-2	HEX. WRENCH 3	1	
A03	824998-5	PLASTIC CARRYING CASE	1	
A04	893570-4	JV0600K PLASTIC CASE LABEL	2	

SERVICE DRAWING

MODEL NO. JV0600



Free Manuals Download Website

<http://myh66.com>

<http://usermanuals.us>

<http://www.somanuals.com>

<http://www.4manuals.cc>

<http://www.manual-lib.com>

<http://www.404manual.com>

<http://www.luxmanual.com>

<http://aubethermostatmanual.com>

Golf course search by state

<http://golfingnear.com>

Email search by domain

<http://emailbydomain.com>

Auto manuals search

<http://auto.somanuals.com>

TV manuals search

<http://tv.somanuals.com>