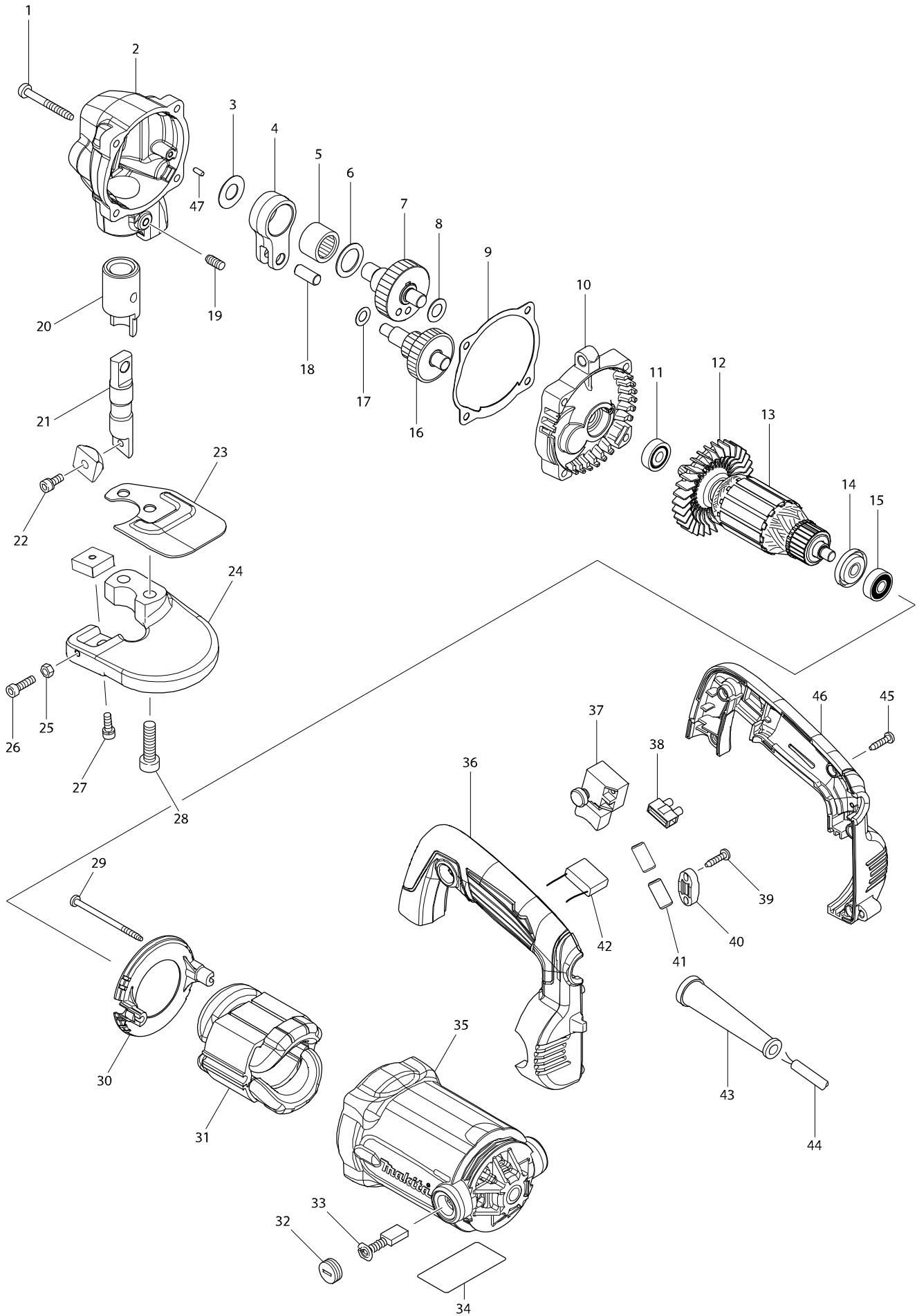


Model No. JS3201 3.2MM METAL SHEAR



Model No. JS3201 3.2MM METAL SHEAR

Item	Parts No.	Description	I/C	Qty	N/O	Opt. 1	Opt. 2	Note
001	266056-5	TAPPING SCREW 5X45		4				
002	141795-7	GEAR HOUSING COMPLETE		1				
C10	800S40-0	INDICATION LABEL		1				
003	253759-0	FLAT WASHER 12		1				
004	331166-8	ROD		1				
005	212252-3	NEEDLE BEARING 1816		1				
006	253198-4	FLAT WASHER 18		1				
007	153141-2	CRANK SHAFT COMPLETE		1				
C10	221879-8	SPUR GEAR 41		1				
C20	254011-9	WOODRUFF KEY 4		1				
008	253311-4	THIN WASHER 10		1				
009	442186-8	GASKET		1	*			
009-1	442186-8	GASKET	O	1				
010	141796-5	GEAR HOUSING COVER COMPLETE		1				
C10	263002-9	RUBBER PIN 4		1				
011	211031-6	BALL BEARING 608LLB		1				
012	240094-5	FAN 70		1				
013	513859-1	ARMATURE ASS'Y 240V		1				
D10		INC. 11,12,14,15						
014	681644-1	INSULATION WASHER		1				
015	210029-0	BALL BEARING 608ZZ		1				
016	226058-3	GEAR COMPLETE 18-46		1				
017	253215-0	FLAT WASHER 8		1				
018	256118-7	PIN 8		1				
019	913322-8	SET SCREW M6X14		1				
020	321405-4	METAL		1				
021	321404-6	BLADE HOLDER		1				
022	922216-6	HEX. SOCKET HEAD BOLT M5X14		1				
023	346641-1	PROTECTOR		1				
024	331165-0	YOKE		1				
025	931203-4	HEX. NUT M5		1				
026	922227-1	HEX. SOCKET HEAD BOLT M5X18		1				
027	922216-6	HEX. SOCKET HEAD BOLT M5X14		1				
028	922452-4	HEX. SOCKET HEAD BOLT M8X30		2				
029	266340-8	TAPPING SCREW 4X65		2				
030	454140-0	BAFFLE PLATE		1				
031	525869-6	FIELD ASS'Y 240V		1				
C10	654020-2	RING TERMINAL		2				
C20	654501-6	CONNECTOR P-1.25		2				
032	643750-0	BRUSH HOLDER CAP 7-11		2				
033	191963-2	CARBON BRUSH CB-303		1				
034	814C79-1	JS3201 NAME PLATE		1				
035	158278-0	MOTOR HOUSING COMPLETE		1				
C10	643708-9	BRUSH HOLDER 5-11		2				
036	187531-7	HANDLE SET		1				
D10		INC. 46						
037	651284-9	SWITCH SGEL115CDY-6		1				
039	266326-2	TAPPING SCREW 4X18		2				

Please order the parts with a part number.

Print Date 06/01/2015

Free Manuals Download Website

<http://myh66.com>

<http://usermanuals.us>

<http://www.somanuals.com>

<http://www.4manuals.cc>

<http://www.manual-lib.com>

<http://www.404manual.com>

<http://www.luxmanual.com>

<http://aubethermostatmanual.com>

Golf course search by state

<http://golfingnear.com>

Email search by domain

<http://emailbydomain.com>

Auto manuals search

<http://auto.somanuals.com>

TV manuals search

<http://tv.somanuals.com>