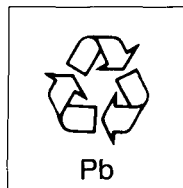


## Recycling the battery

The only way to dispose of a Makita battery is to recycle it. The law prohibits any other method of disposal.



To recycle the battery:

- 1) Remove belt from the battery
- 2) Ship or take battery to your nearest Makita Factory Service Center or Distributor that sells Makita lead batteries.

(Call your nearest Makita Service Center or Distributor to determine the location that provides Makita lead battery recycling. See your local Yellow pages under "Tools - Electric". Please note that in some states a battery that has reached the end of life needs to be provided at the time you purchase a new lead battery or else a deposit will be charged on the purchase of the new lead battery.)

## MAKITA LIMITED ONE YEAR WARRANTY

### Warranty Policy

Every Makita tool is thoroughly inspected and tested before leaving the factory. It is warranted to be free of defects from workmanship and materials for the period of ONE YEAR from the date of original purchase. Should any trouble develop during this one-year period, return the COMPLETE tool, freight prepaid, to one of Makita's Factory or Authorized Service Centers. If inspection shows the trouble is caused by defective workmanship or material, Makita will repair (or at our option, replace) without charge.

This Warranty does not apply where:

- repairs have been made or attempted by others;
- repairs are required because of normal wear and tear;
- The tool has been abused, misused or improperly maintained;
- alterations have been made to the tool.
- The battery has not been charged immediately after purchase.

IN NO EVENT SHALL MAKITA BE LIABLE FOR ANY INDIRECT, INCIDENTAL OR CONSEQUENTIAL DAMAGES FROM THE SALE OR USE OF THE PRODUCT. THIS DISCLAIMER APPLIES BOTH DURING AND AFTER THE TERM OF THIS WARRANTY.

MAKITA DISCLAIMS LIABILITY FOR ANY IMPLIED WARRANTIES, INCLUDING IMPLIED WARRANTIES OF "MERCHANTABILITY" AND "FITNESS FOR A SPECIFIC PURPOSE," AFTER THE ONE-YEAR TERM OF THIS WARRANTY.

This Warranty gives you specific legal rights, and you may also have other rights which vary from state to state. Some states do not allow the exclusion or limitation of incidental or consequential damages, so the above limitation or exclusion may not apply to you. Some states do not allow limitation on how long an implied warranty lasts, so the above limitation may not apply to you.

## Makita Corporation

3-11-8, Sumiyoshi-cho,  
Anjo, Aichi 446 Japan

883995 - 985

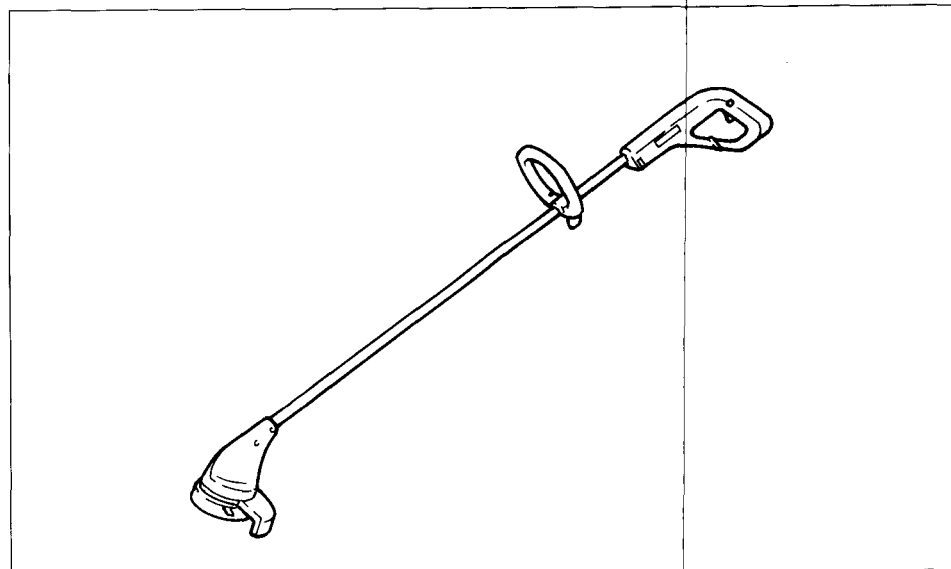
PRINTED IN JAPAN  
1995 - 5 - N

# Makita

## Battery-Powered Grass Trimmer

140 mm (5-1/2'') MODEL UM140D  
140 mm (5-1/2'') MODEL UM140DST  
With Battery & Charger

## INSTRUCTION MANUAL



### SPECIFICATIONS

• Model UM140D			
Effective cutting width	No load speed (RPM)	Dimensions (L x W x H)	Net weight
140 mm (5-1/2'')	13,000	1,315 mm x 160 mm x 245 mm (51-25/32'' x 6-5/16'' x 9-21/32'')	1.2 kg (2.6 lbs)
• Battery 122		• Model DC122 Charger	
Voltage	Input	Output	Charging time
12V	A.C. 115V 60Hz	D.C. 12V	Approx. 1 Hr.

- Manufacturer reserves the right to change specifications without notice.
- Note: Specifications may differ from country to country.



CAUTION

Makita battery 122 is a lead-acid battery. Be sure to follow the following instructions to charge it.

- 1) Always charge it immediately after purchase.
- 2) Always recharge it after use.
- 3) Be sure to charge it for approx. one week every six months, when not using it for long periods. If left uncharged, it may become unchargeable.

### WARNING

- Read the important safety instructions.
  - For your personal safety, READ and UNDERSTAND before using.
  - Use only the Makita battery 121 or 122.
- SAVE THESE INSTRUCTIONS FOR FUTURE REFERENCE.

# IMPORTANT SAFETY INSTRUCTIONS

## (For Gardening Appliances)

**WARNING: WHEN USING ELECTRIC TOOLS, BASIC SAFETY PRECAUTIONS SHOULD ALWAYS BE FOLLOWED TO REDUCE THE RISK OF FIRE, ELECTRIC SHOCK, AND PERSONAL INJURY, INCLUDING THE FOLLOWING:**

### **READ ALL INSTRUCTIONS.**

1. **Avoid Dangerous Environment - Don't use appliances in damp or wet locations.**
2. **Don't Use In Rain.**
3. **Keep Children Away - All visitors should be kept at a distance from work area.**
4. **Dress Properly - Do not wear loose clothing or jewelry. They can be caught in moving parts. Use of rubber gloves and substantial footwear is recommended when working outdoors. Wear protective hair covering to contain long hair.**
5. **Use Safety Glasses - Always use face or dust mask if operation is dusty.**
6. **Use Right Appliance - Do not use appliance for any job except that for which it is intended.**
7. **Avoid Unintentional Starting - Don't carry plugged-in appliance with finger on switch. Be sure switch is off when plugging in.**
8. **Don't grasp the exposed cutting blades or cutting edges when picking up or holding the appliance.**
9. **Don't Force Appliance - It will do the job better and with less likelihood of a risk of injury at the rate for which it was designed.**
10. **Don't Overreach - Keep proper footing and balance at all times.**
11. **Stay Alert - Watch what you are doing. Use common sense. Do not operate appliance when you are tired.**
12. **Store Idle Appliances Indoors - When not in use, appliances should be stored indoors in dry, and high or locked-up place - out of reach of children.**
13. **Maintain Appliance With Care - Keep cutting edge sharp and clean for best performance and to reduce the risk of injury. Follow instructions for lubricating and changing accessories. Inspect adapter cord periodically, and if damaged, have it repaired by an authorized service facility. Inspect extension cords periodically and replace if damaged. Keep handles dry, clean, and free from oil and grease.**
14. **Check Damaged Parts - Before further use of the appliance, a guard or other part that is damaged should be carefully checked to determine that it will**

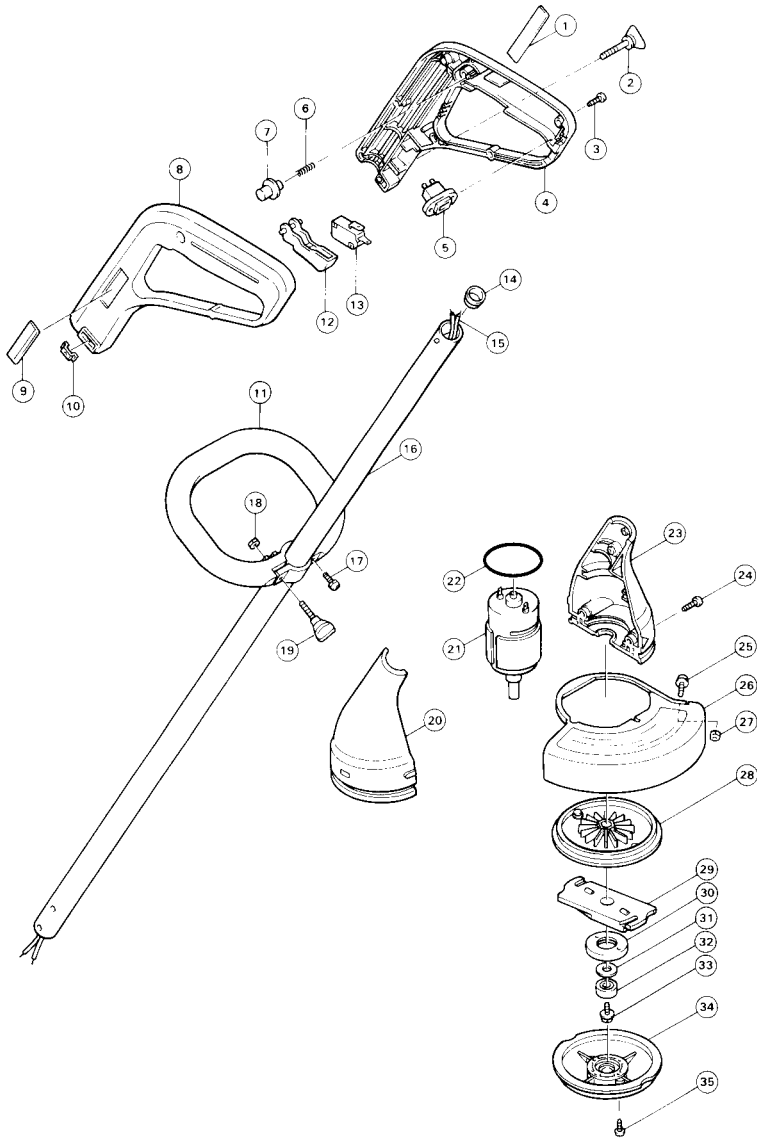
MODEL UM140D

Dec.-19-'94 US

ITEM NO.	NO. USED	DESCRIPTION	ITEM NO.	NO. USED	DESCRIPTION
<b>MACHINE</b>			<b>MACHINE</b>		
1	1	Name Plate	20	1	Motor Housing Set (With Item 23)
2	1	Screw M5x33	21	1	Motor (D.C. 12 V.)
3	6	Tapping Screw BT M4x16	22	1	O Ring 42
4	1	Handle Set (With Item 8)	23	1	Motor Housing Set (With Item 20)
5	1	Inlet	24	4	Tapping Screw BT M4x16
6	1	Compression Spring 3	25	1	Pan Head Screw M4x14 (With Washer)
7	1	Lock-Off Button	26	1	Safety Cover
8	1	Handle Set (With Item 4)	27	1	Hex. Nut M4
9	1	Makita Label	28	1	Blade Holder Complete
10	1	Square Nut M5	29	1	Retainer
11	1	Side Handle	30	1	Bearing Box
12	1	Switch Lever	31	1	Flat Washer 8
13	1	Switch	32	1	Ball Bearing 608DDW
14	1	P.P Ring 17	33	1	Flat Head Screw M5x10
15	1	Cord	34	1	Cap
16	1	Pipe Complete	35	2	Tapping Screw BT 3x10
17	1	Pan Head Screw M5x25 (With Washer)	36	1	Wave Washer 8
18	2	Hex. Nut M5	37	1	Flat Washer 8
19	1	Screw M5x20			

Note: The switch and other part specifications may differ from country to country.

**140 mm (5-1/2")**  
**BATTERY-POWERED GRASS TRIMMER**  
**Model UM140D**



Note: The switch and other part configurations may differ from country to country.

operate properly and perform its intended function. Check for alignment of moving parts, binding of moving parts, breakage of parts, mounting, and any other condition that may affect its operation. A guard or other part that is damaged should be properly repaired or replaced by an authorized service center unless indicated elsewhere in this manual.

15. Keep guards in place and in working order.
16. Keep hands and feet away from rotating blades. Caution - Blades coast after turn off.
17. Do not charge battery in rain, or in wet locations.
18. Do not use battery-operated appliance in rain.
19. Remove or disconnect battery before servicing, cleaning or removing material from the gardening appliance.
20. Do not dispose of the battery(ies) in a fire. The cell may explode. Check with local codes for possible special disposal instructions.
21. Do not open or mutilate the battery(ies). Released electrolyte is corrosive and may cause damage to the eyes or skin. It may be toxic if swallowed.
22. Exercise care in handling batteries in order not to short the battery with conducting materials such as rings, bracelets, and keys. The battery or conductor may overheat and cause burns.
23. **USE GRASS TRIMMER PROPERLY** - Use only for cutting grass or weeds. Do not use for other purposes.
24. Use only Makita genuine blades specified in this manual.
25. Check the blades carefully for cracks or damage before operation. Replace cracked or damaged blades immediately.
26. Remove foreign matters such as rocks, wire, bottles and large sticks from the work area before cutting to prevent personal injury or damage to the appliance.
27. When stopping operation or before carrying the tool, always switch it off and wait until the blades come to a complete stop. Carry the tool with the blades in front and away from you.
28. Stop operation immediately if you notice anything abnormal. Switch off the appliance and disconnect the battery from the appliance. Then inspect the appliance.

# IMPORTANT SAFETY INSTRUCTIONS FOR BATTERY & CHARGER

1. **SAVE THESE INSTRUCTIONS** — This manual contains important safety and operating instructions for battery charger.
2. Before using battery charger, read all instructions and cautionary markings on (1) battery charger, (2) battery, and (3) product using battery.
3. **CAUTION** — To reduce risk of injury, charge only MAKITA battery 121 or 122. Other types of batteries may burst causing personal injury and damage. Non-rechargeable batteries can not be charged with this battery charger.
4. Do not expose charger to rain or snow.
5. Use of an attachment not recommended or sold by the battery charger manufacturer may result in a risk of fire, electric shock, or injury to persons.
6. To reduce risk of damage to electric plug and cord, pull by plug rather than cord when disconnecting charger.
7. Make sure cord is located so that it will not be stepped on, tripped over, or otherwise subjected to damage or stress.
8. An extension cord should not be used unless absolutely necessary. Use of improper extension cord could result in a risk of fire and electric shock. If extension cord must be used, make sure:
  - a. That pins on plug of extension cord are the same number, size, and shape as those of plug on charger;
  - b. That extension cord is properly wired and in good electrical condition; and
  - c. That wire size is at least as large as the one specified in the table below.

**TABLE 1**  
**RECOMMENDED MINIMUM AWG SIZE FOR**  
**EXTENSION CORDS FOR BATTERY CHARGERS**

Length of Cord (Feet)	25	50	100	150
AWG Size of Cord	18	18	18	16

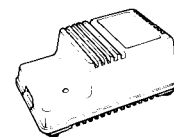
9. Do not operate charger with damaged cord or plug — replace them immediately.
10. Do not operate charger if it has received a sharp blow, been dropped, or otherwise damaged in any way; take it to a qualified serviceman.
11. Do not disassemble charger or battery; take it to a qualified serviceman when service or repair is required. Incorrect reassembly may result in a risk of electric shock or fire.
12. To reduce risk of electric shock, unplug charger from outlet before attempting any maintenance or cleaning. Turning off controls will not reduce this risk.

## ACCESSORIES

### CAUTION:

These accessories or attachments are recommended for use with your Makita tool specified in this manual. The use of any other accessories or attachments might present a risk of injury to persons. The accessories or attachments should be used only in the proper and intended manner.

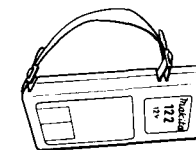
#### • Charger Model DC122



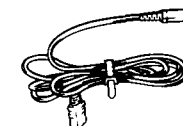
#### • Blade



#### • Battery 122



#### • Extension cord



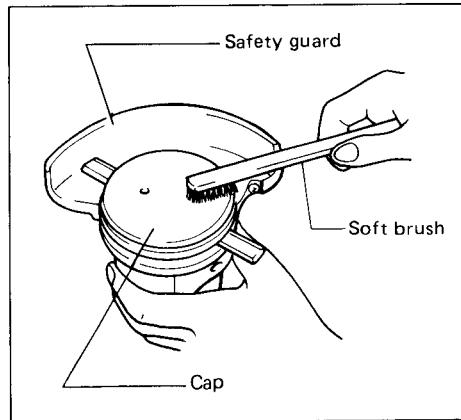
## MAINTENANCE

### CAUTION:

Always be sure that the tool is switched off and the battery is disconnected from the tool before attempting to perform inspection or maintenance.

### Cleaning the cap and safety guard

After use, clean off the cap and safety guard with a soft brush. Failure to clean off the cap may cause difficulty installing the blade.



### Storage

Do not clean the tool, charger and/or battery with benzine, thinner or cleaning chemicals. Cracks and discoloration may be caused.

To maintain product SAFETY and RELIABILITY, repairs, maintenance or adjustment should be performed by Makita Authorized or Factory Service Centers, always using Makita replacement parts.

## ADDITIONAL SAFETY RULES FOR BATTERY

1. Always charge the Makita battery 122 immediately after purchase.
2. Always recharge the Makita battery 122 after use.
3. Be sure to charge the Makita battery 122 for approx. one week every six months, when not using it for long periods. If left uncharged, it may become unchargeable.
4. Use only the Makita charger Model DC122 or DC121 specified to charge the Makita battery 122.
5. Do not charge inside a box or container of any kind.
6. Do not short the battery:
  - 1) Do not touch the terminals with any conductive material.
  - 2) Avoid storing battery in a container with other metal objects such as nails, coins, etc.
  - 3) Do not expose battery to water or rain.
  - 4) Do not cut the adaptor cord.

A battery short can cause a large current flow, overheating, possible burns and even a breakdown.
7. Do not leave the battery exposed to direct sunlight. Do not store the battery in locations where the temperature may reach or exceed 40°C (104°F).
8. The Makita battery 122 contains a strong electrolyte (dilute sulfuric acid). Do not apply undue force to the battery, drop or strike it. Do not attempt to disassemble or make modifications to the battery.
9. If the battery breaks open and electrolyte (dilute sulfuric acid) contacts skin or clothing, wash immediately with running water. If electrolyte gets into your eyes, rinse them out with clear water and seek medical attention right away.
10. As the battery service life ends, its capacity and operation time decrease. Replace it with a new one.
11. Never expose the battery to flames, fire or great heat. Breakage may cause release of injurious material.

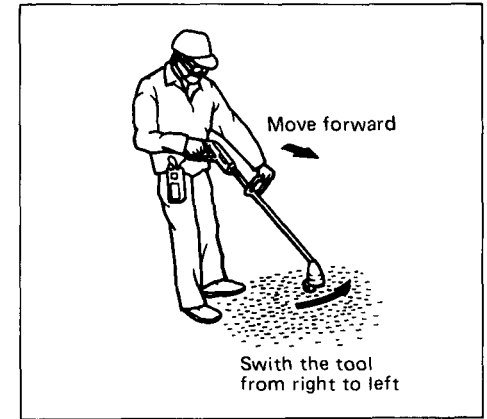
## ADDITIONAL SAFETY RULES FOR CHARGER

1. The Makita charger Model DC122 is specifically designed to charge only the Makita battery 121 or 122. Do not attempt to charge any other battery with this charger.
2. Handle the charger carefully. Do not drop or strike it.
3. Never carry the charger by cord or yank it to disconnect from receptacle.
4. Keep cord from heat, oil, chemicals, and sharp edges.
5. Use only a power source of the same voltage as indicated on the nameplate of the charger when charging.
6. Do not attempt to use a step-up transformer, an engine generator or DC power receptacle.
7. Charge the battery at a room temperature of 10°C (50°F) - 40°C (104°F).
8. Do not charge in place exposed to direct sunlight.
9. Do not allow the charger to get wet.
10. Do not charge inside a box or container of any kind.
11. Do not charge near volatile, flammable material such as gasoline, paint, gas, adhesive, etc.
12. Do not charge on top of paper, carpet, vinyl sheeting, cloth materials, etc.
13. Do not allow anything to cover or clog the charger vents. Do not attempt to insert anything into the vents.
14. Do not charge in dusty place.
15. Stop charging immediately if you notice anything abnormal. Ship or take the charger and the battery to your nearest Makita Service Center or Distributor for checking them.
16. Do not attempt to disassemble or make modifications to the charger.
17. Do not put any metal objects or foreign matter into the inlet of the charger.  
Short-circuit will occur, causing a burn injury and charger breakdown.

**SAVE THESE INSTRUCTIONS.**

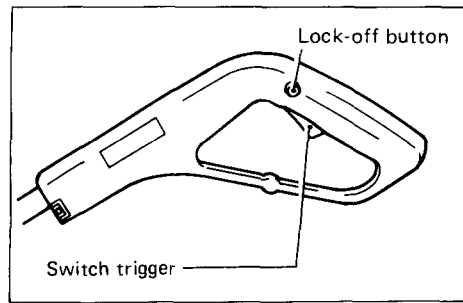
### Operation

Hold/support the tool firmly with the grip and loop handle. Switch ON only when the blades are not contacting the ground. Cut an even swath while swinging the tool from right to left, angling the cutting head slightly while doing so. When cutting grass or weeds next to walls, curbs, sidewalks and the like, move the tool slowly and smoothly along them.



### Switch action

To prevent the trigger from being accidentally pulled, a lock-off button is provided. To start the tool, push in the lock-off button and pull the trigger. Release the trigger to stop.

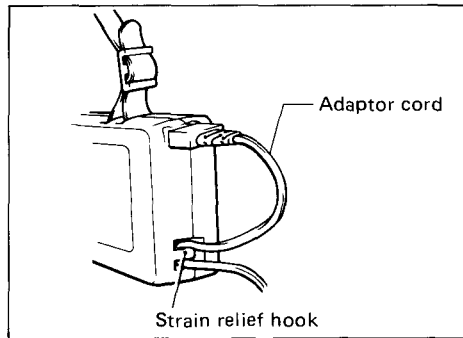
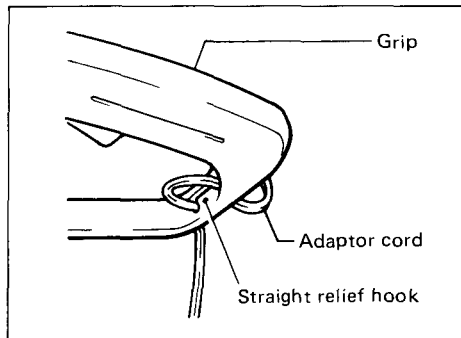


### CAUTION:

- Before connecting the battery to the tool, always check to see that the switch trigger actuates properly and returns to the "OFF" position when released.
- Do not switch on the tool when someone is nearby or when the blades are contacting the ground.

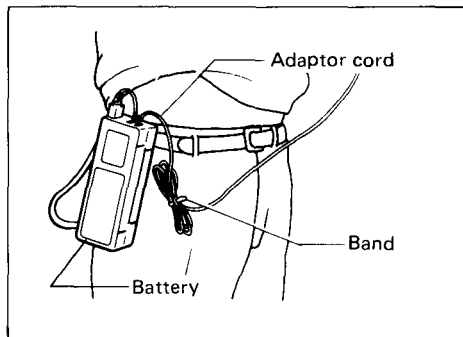
### Connecting the battery to the tool

Connect the battery to the tool using the adaptor cord. To prevent the adaptor cord from being accidentally disconnected, hook the cord to both strain relief hooks on the tool and the battery.



### Carrying the battery

Hook the battery to your waist belt. If the adaptor cord is too long for your work, use the band provided to hold it when you coil it shorter.

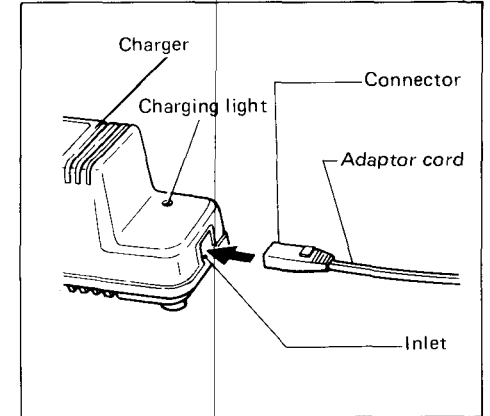
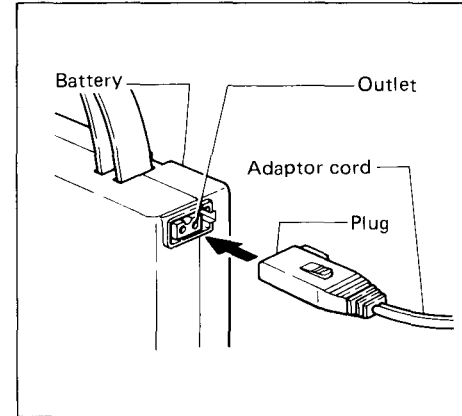


### Charging

Connect the battery to the charger using the adaptor cord. Then plug the charger into the power source. The charging light will illuminate and charging will begin. When the charging light goes out at a certain time, the charging is complete. Unplug the charger.

(Note: Refer to the table below for the charging time.)

Battery	Charger	DC122	DC121
122		Approx. 1 hour	Approx. 2 hours
121		Approx. 2 hours	Approx. 4 hours



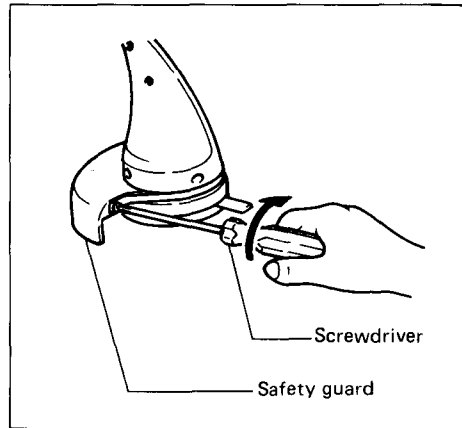
### CAUTION:

- Always charge the Makita battery 122 immediately after purchase.
- Always recharge the Makita battery 122 after use.

If the Makita battery 122 has not been used for long periods, charge it for more than the time specified in the table above. (Example: If it has not been used for six months, charge it for approx. one week). Charging continues even after the charging light goes out. If the battery is left uncharged for more than six months, it may become unchargeable. If the light does not come on within five minutes after you start the charging, the battery may be unchargeable. Ship or take the charger and the battery to your nearest Makita Service Center or Distributor for checking.

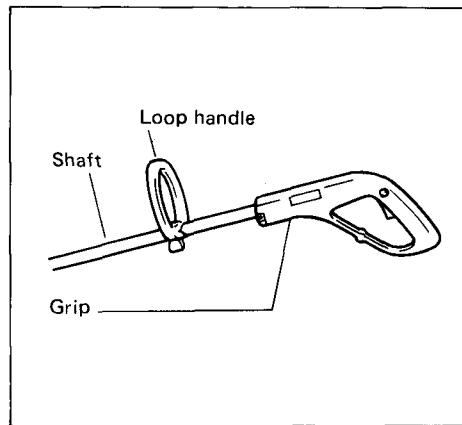
### Installing the safety guard (safety cover)

Install the safety guard on the motor housing as shown in the figure. Then secure the safety guard with the screw.



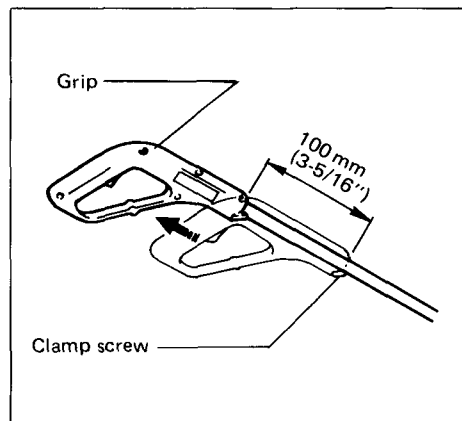
### Installing the loop handle

Install the loop handle on the shaft at the desired position. Then secure the loop handle with the screw.



### Adjusting the grip position

The grip position can be adjusted approx. 100 mm (3-5/16"). Loosen the clamp screw and move the grip backward as desired for easy tool operation. Then tighten the clamp screw to secure the grip.

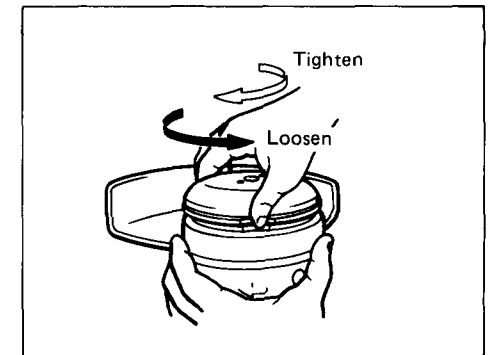
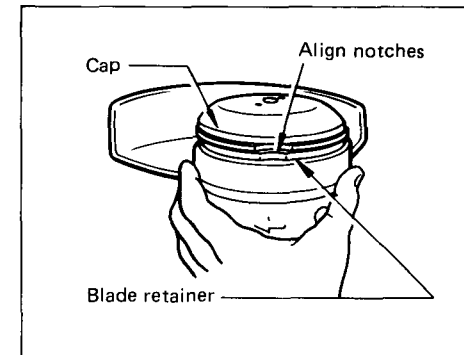


### Installing or removing the blade

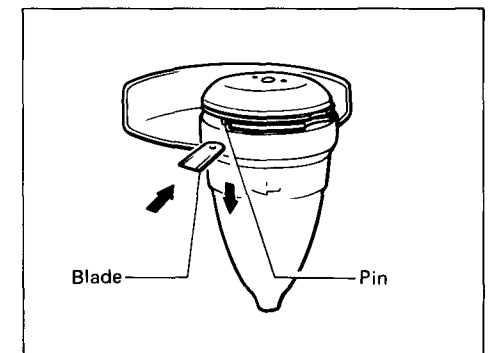
#### CAUTION:

Always be sure that the tool is switched off and the battery is disconnected from the tool before installing or removing the blade.

Align the notches in the cap and the blade retainer. Turn the cap and the blade retainer together counterclockwise to release the blade retainer from the pins.

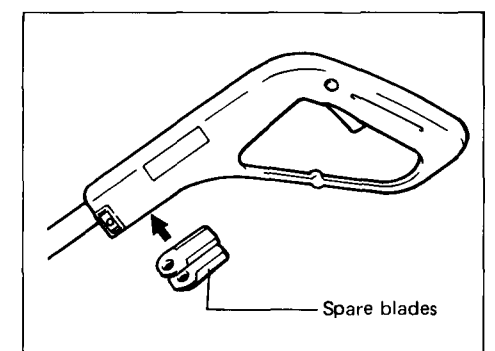


Install the blades onto the pins. Turn the cap and the blade retainer clockwise until the pins fit into the holes in the blade retainer with a little click.



#### NOTE:

A set of spare blades can be kept in the storage area for them inside the grip.





## Free Manuals Download Website

<http://myh66.com>

<http://usermanuals.us>

<http://www.somanuals.com>

<http://www.4manuals.cc>

<http://www.manual-lib.com>

<http://www.404manual.com>

<http://www.luxmanual.com>

<http://aubethermostatmanual.com>

Golf course search by state

<http://golfingnear.com>

Email search by domain

<http://emailbydomain.com>

Auto manuals search

<http://auto.somanuals.com>

TV manuals search

<http://tv.somanuals.com>