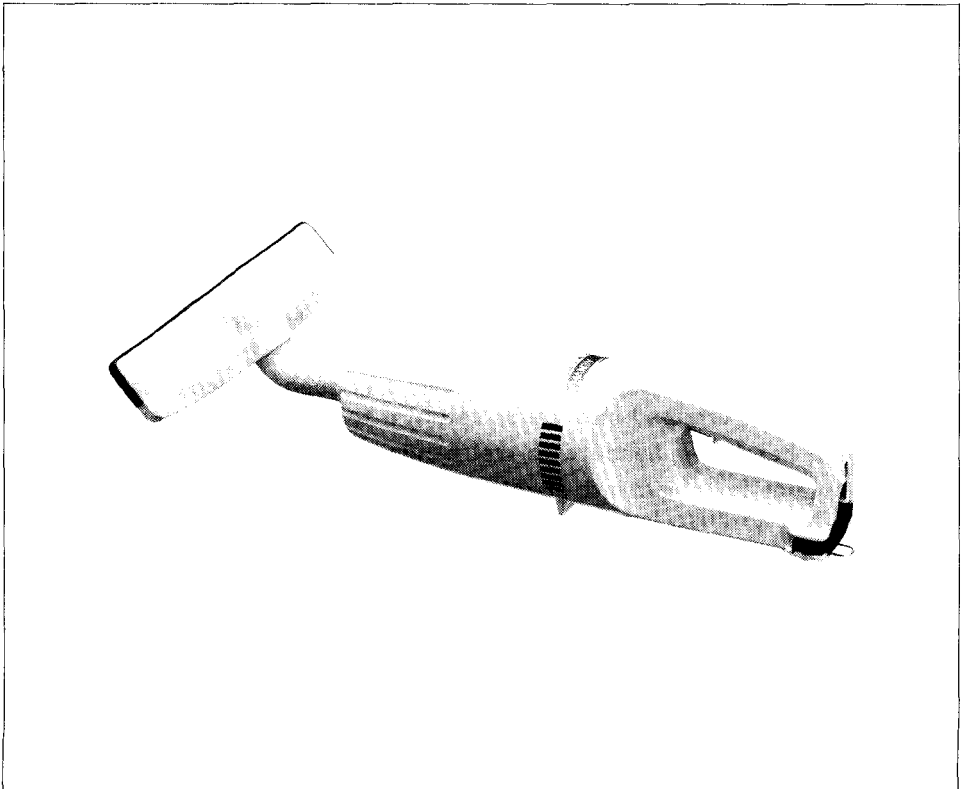


# Makita

アメリカ

## Cordless Cleaner HANDY VAC II MODEL 4071D

### INSTRUCTION MANUAL



#### SPECIFICATIONS

Capacity	Dimensions (L x W x H)	Net weight
600 ml	365 mm x 102 mm x 108 mm (14-3/8" x 4" x 4-1/4")	0.6 kg (1.3 lbs)

\* Manufacturer reserves the right to change specifications without notice.

\* Note: Specifications may differ from country to country.

# IMPORTANT SAFETY INSTRUCTIONS

When using an electrical appliance, basic precautions should always be followed, including the following:

## READ ALL INSTRUCTIONS BEFORE USING THIS APPLIANCE

**WARNING**-To reduce the risk of fire, electric shock, or injury:

1. Do not leave appliance when the battery cartridge is installed. Remove the battery cartridge from your appliance when not in use and before servicing.
2. Do not allow to be used as a toy. Close attention is necessary when used by or near children.
3. Use only as described in this manual. Use only manufacturer's recommended attachments.
4. If appliance is not working as it should, has been dropped, damaged, left outdoors, or dropped into water, return it to a service center.
5. Do not handle appliance with wet hands.
6. Do not put any object into openings. Do not use with any opening blocked; keep free of dust, lint, hair, and anything that may reduce air flow.
7. Keep hair, loose clothing, fingers, and all parts of body away from openings and moving parts.
8. Do not pick up anything that is burning or smoking, such as cigarettes, matches, or hot ashes.
9. Do not use without filters in place.
10. Turn off all controls before removing the battery cartridge.
11. Use extra care when cleaning on stairs.
12. Do not use to pick up flammable or combustible liquids such as gasoline or use in areas where they may be present.
13. Use only the charger supplied by the manufacturer to recharge.

This appliance is intended for household use.

# IMPORTANT SAFETY INSTRUCTIONS

1. **SAVE THESE INSTRUCTIONS** – This manual contains important safety and operating instructions for battery charger.
2. Before using battery charger, read all instructions and cautionary markings on (1) battery charger, (2) battery, and (3) product using battery.
3. **CAUTION** – To reduce risk of injury, charge only MAKITA Battery 7000. Other types of batteries may burst causing personal injury and damage.
4. Do not expose charger to rain or snow.
5. Use of an attachment not recommended or sold by the battery charger manufacturer may result in a risk of fire, electric shock, or injury to persons.
6. To reduce risk of damage to electric plug and cord, pull by plug rather than cord when disconnecting charger.
7. Make sure cord is located so that it will not be stepped on, tripped over, or otherwise subjected to damage or stress.
8. An extension cord should not be used unless absolutely necessary. Use of improper extension cord could result in a risk of fire and electric shock. If extension cord must be used, make sure:
  - a. That pins on plug of extension cord are the same number, size, and shape as those of plug on charger;
  - b. That extension cord is properly wired and in good electrical condition; and
  - c. That wire size is at least as large as the one specified in the table below.

**TABLE 1**  
**RECOMMENDED MINIMUM AWG SIZE FOR**  
**EXTENSION CORDS FOR BATTERY CHARGERS**

Length of Cord (Feet)	25	50	100	150
AWG Size of Cord	18	18	18	16

9. Do not operate charger with damaged cord or plug – replace them immediately.
10. Do not operate charger if it has received a sharp blow, been dropped, or otherwise damaged in any way; take it to a qualified serviceman.
11. Do not disassemble charger or battery cartridge; take it to a qualified serviceman when service or repair is required. Incorrect reassembly may result in a risk of electric shock or fire.
12. To reduce risk of electric shock, unplug charger from outlet before attempting any maintenance or cleaning. Turning off controls will not reduce this risk.

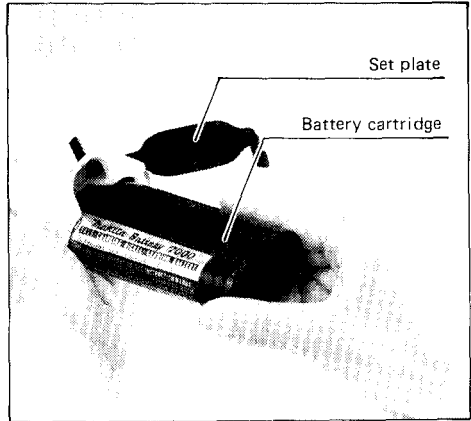
# **ADDITIONAL SAFETY RULES FOR CHARGER & BATTERY CARTRIDGE**

- 1. Do not charge Battery Cartridge when temperature is BELOW 10°C (50°F) or ABOVE 40°C (104°F).**
- 2. Do not attempt to use a step-up transformer, an engine generator or DC power receptacle.**
- 3. Do not allow anything to cover or clog the charger vents.**
- 4. Always cover the battery terminals with the battery cover when the battery cartridge is not used.**
- 5. A battery short can cause a large current flow, overheating, possible burns and even a breakdown.**
  - (1) Do not touch the terminals with any conductive material.**
  - (2) Avoid storing battery cartridge in a container with other metal objects such as nails, coins, etc.**
  - (3) Do not expose battery cartridge to water or rain.**
- 6. Do not store the tool and Battery Cartridge in locations where the temperature may reach or exceed 50°C (122°F).**
- 7. Do not incinerate the Battery Cartridge even if it is severely damaged or is completely worn out. The battery cartridge can explode in a fire.**

## **SAVE THESE INSTRUCTIONS.**

### Installing or removing battery cartridge

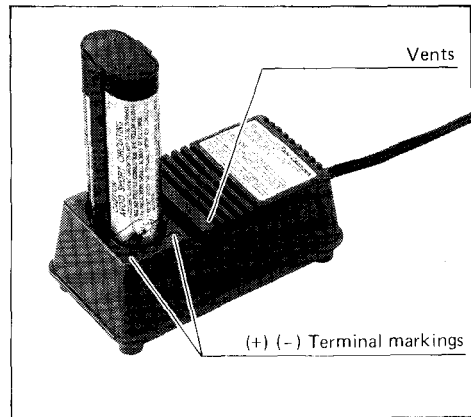
- Always switch off the tool before insertion or removal of the battery cartridge.
- To remove the battery cartridge, pull out the set plate on the tool and grasp both sides of the cartridge while withdrawing it from the barrel.
- To insert the battery cartridge, align the tongue on the battery cartridge with the groove in the housing and slip it into place. Snap the set plate back into place. Be sure to close the set plate fully before using the tool.



- Do not use force when inserting the battery cartridge.  
If the cartridge does not slide in easily, it is not being inserted correctly.

### Charging

Plug the fast charger into your power source. Insert the battery cartridge so that the plus and minus terminals on the battery cartridge are on the same sides as their respective markings on the fast charger. Insert the cartridge fully into the port so that it rests on the charger port floor. Check to see that the charging light comes on. When it goes out, you may remove the fully charged battery cartridge. After charging, unplug the charger from the power source.

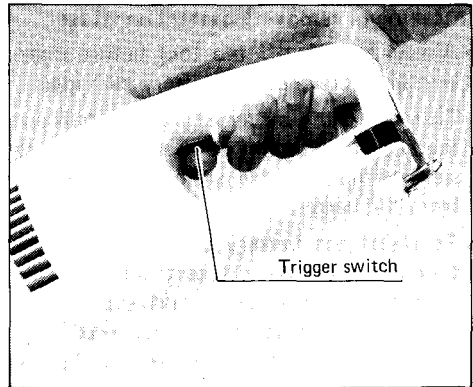


### CAUTION:

- Your new battery cartridge is not charged. You will need to charge it before use.
- If you try to charge a cartridge from a just-operated tool, sometimes the charging light will not come on. If this occurs, let the cartridge cool off for a while. Then re-insert it and try to charge it once more.
- When you charge a new battery cartridge or a battery cartridge which has not been used for a long period, it may not accept a full charge. This is a normal condition and does not indicate a problem. You can recharge the battery cartridge fully after discharging it almost completely a couple of times.
- If you wish to charge two battery cartridges, allow 15 minutes between chargings on the fast charger.

### Switch action

To start the tool, simply pull the trigger. Release the trigger to stop.



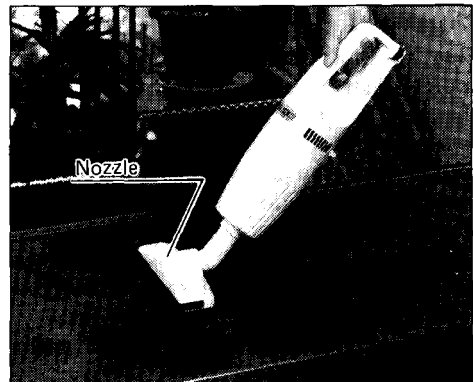
### CAUTION:

Before operation, always check to be sure that the filter and pre-filter are correctly installed, or dirt and foreign matter will get into the motor and cause a failure.

### Cleaning (Suction)

#### Nozzle

Attach the nozzle to clean off tables, desks, furniture, etc. Nozzle slips on easily.



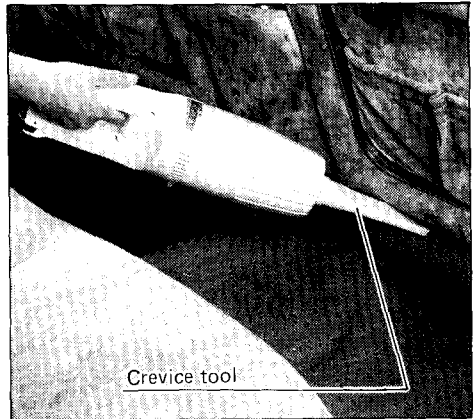
#### Nozzle + Extension wand

The extension wand fits in between the nozzle and the cleaner itself. This arrangement keeps the weight of the cleaner near your hand. It is especially convenient for overhead cleaning or when reach is important in close quarters.



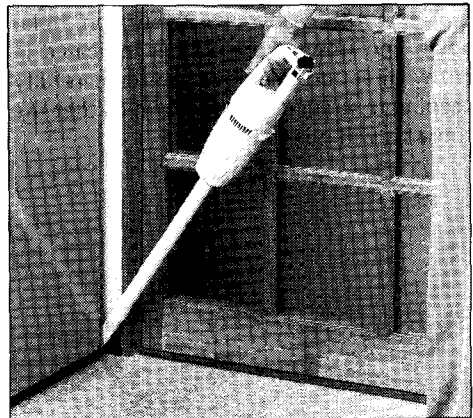
### **Crevice tool**

Fit on the crevice tool attachment for cleaning corners and crevice tool of a car or furniture. Sand and other heavy items can be sucked up easily.



### **Crevice tool + Extension wand**

In tight quarters where the cleaner itself cannot squeeze in, or in high places hard to reach, the extension wand may be used.



### **Tapping out filter**

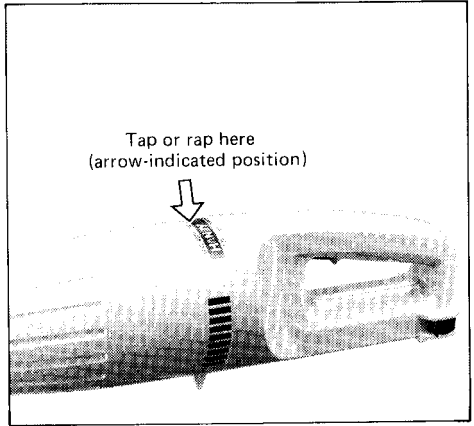
When you notice less suction force during operation, stand the cleaner so that the intake hole is in the upright position and tap by hand the side of the cleaner 4 or 5 times. This will unplug the pre-filter and filter and restore suction force.

### **CAUTION:**

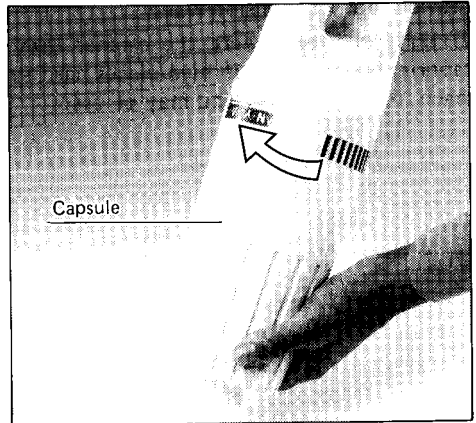
Empty the cleaner before it becomes too full, or the suction force weakens.

### Dust disposal

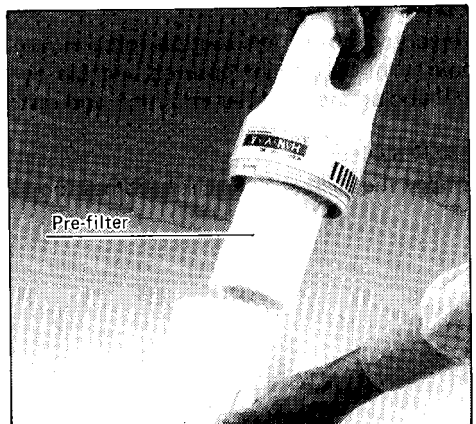
Raise the end of the cleaner so that the contents will not fall out. Then tap by hand the side of the capsule 4 or 5 times in order to detach materials from the pre-filter and filter and facilitate emptying.



Tip end of cleaner (with suction hole) down and unscrew capsule as indicated in arrow direction. Remove capsule carefully keeping it straight up and down so that the contents will not spill out.

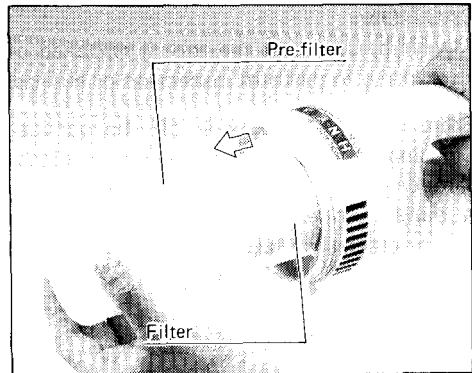


Empty the contents of the capsule and also the dust adhering to the pre-filter.



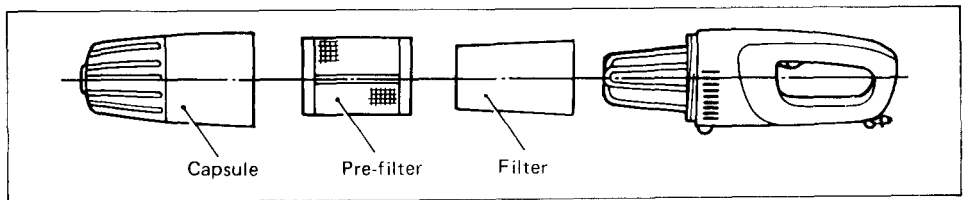


Turn the pre-filter and pull it off toward you, emptying out the fine dust inside. Then take out the filter and tap out any adhering dust.



After emptying out the cleaner, re-assemble in the order shown in the figure.

1. Fit filter snugly on all the way.
2. Slip on pre-filter.
3. Screw on the capsule.

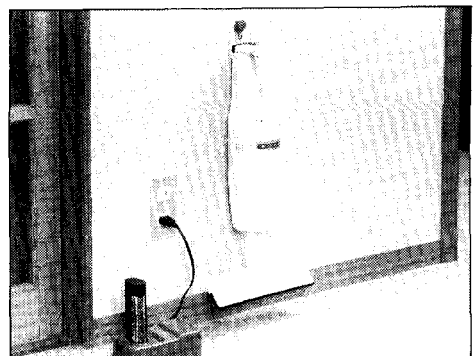


#### CAUTIONS:

- Failure to re-assemble the filter and/or pre-filter so that they are back on all the way, or using a broken or ripped filter, can cause dust to get into the motor and result in a failure.
- Screw the capsule tightly into place. Tighten accessories (crevice tool, etc.) in the same direction as the capsule screws on.

#### After use

When recharging or storing the cleaner, hang the cleaner from a nail using the convenient hanger in back.

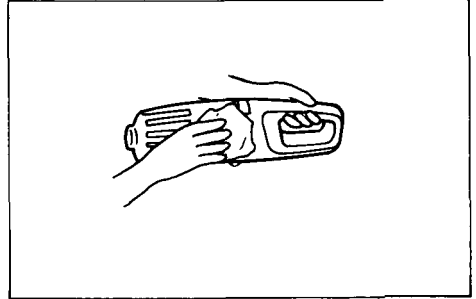


## MAINTENANCE

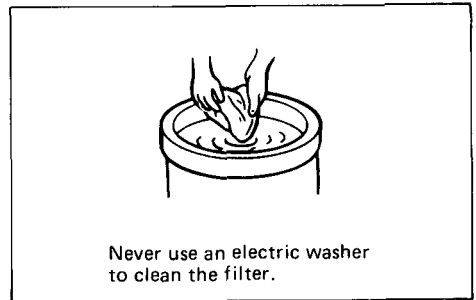
### CAUTION:

Always be sure that the tool is switched off and the battery cartridge is removed before attempting to perform inspection or maintenance.

From time to time wipe off the outside (housing) of the cleaner using a cloth dampened in soapy water. Never use gasoline, thinner or the like or discoloration or cracks can take place.



Rins out the filter in soapy water occasionally. Dry it out thoroughly before use.



### CAUTION:

Do not use oil, benzine, thinner or the like to clean off the cleaner itself. Cracks or discoloration will result.

To maintain product **SAFETY** and **RELIABILITY**, repairs, maintenance or adjustment should be performed by Makita Authorized or Factory Service Centers, always using Makita replacement parts.

## ACCESSORIES

### CAUTION:

These accessories or attachments are recommended for use with your Makita tool specified in this manual. The use of any other accessories or attachments might present a risk of injury to persons. The accessories or attachments should be used only in the proper and intended manner.

- **Extension wand**

Part No. 412040-0



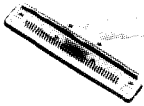
- **Nozzle assembly**

Part No. 122234-6



- **Nozzle assembly (for carpet)**

Part No. 122291-4



- **Crevice tool**

Part No. 411891-8



- **Battery cartridge 7000**

Part No. 632003-2



- **Flexible hose**

Part No. 191496-7



- **Fast charger DC7100**

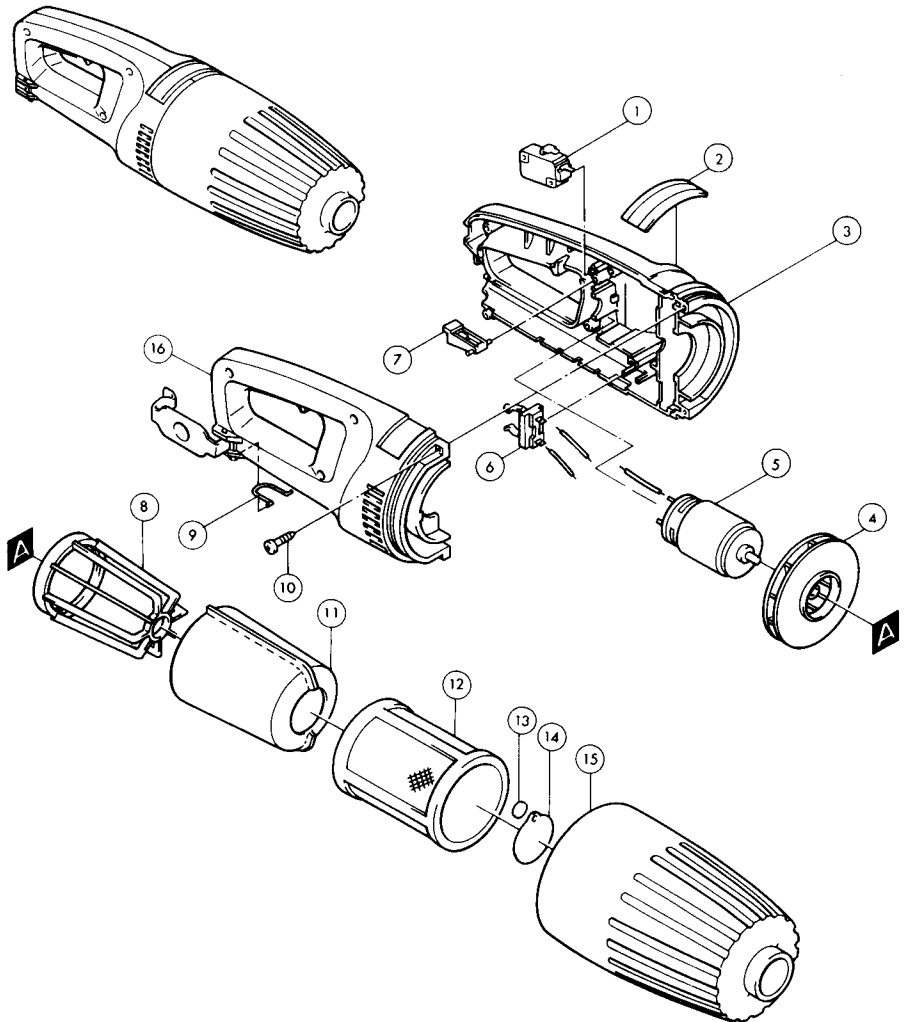


- **Battery cover**

Part No. 414938-7



# CORDLESS CLEANER Model 4071D



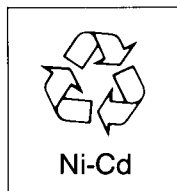
Note: The switch and other part configurations may differ from country to country.

ITEM NO.	NO. USED	DESCRIPTION	ITEM NO.	NO. USED	DESCRIPTION
<u>MACHINE</u>			<u>MACHINE</u>		
1	1	Switch	9	1	Hanger
2	1	Name Plate	10	6	Tapping Screw 3x20
3	1	Housing Set (With Item 16)	11	1	Filter
4	1	Fan 80	12	1	Pre-Filter
5	1	Motor	13	1	Stop Ring CS 3
6	1	Battery Holder	14	1	Valve
7	1	Switch Lever	15	1	Capsule
8	1	Stay	16	1	Housing Set (With Item 3)

Note: The switch and other part specifications may differ from country to country.

# Recycling the Battery

The only way to dispose of a Makita battery is to recycle it. The law prohibits any other method of disposal.



To recycle the battery:

1. Remove the battery from the tool.
2. a). Take the battery to your nearest Makita Factory Service Center  
or  
b). Take the battery to your nearest Makita Authorized Service Center or Distributor that has been designated as a Makita battery recycling location.
  - *Call your nearest Makita Service Center or Distributor to determine the location that provides Makita battery recycling. See your local Yellow Pages under "Tools-Electric".*

## MAKITA LIMITED ONE YEAR WARRANTY

### Warranty Policy

Every Makita tool is thoroughly inspected and tested before leaving the factory. It is warranted to be free of defects from workmanship and materials for the period of ONE YEAR from the date of original purchase. Should any trouble develop during this one-year period, return the COMPLETE tool, freight prepaid, to one of Makita's Factory or Authorized Service Centers. If inspection shows the trouble is caused by defective workmanship or material, Makita will repair (or at our option, replace) without charge.

This Warranty does not apply where:

- repairs have been made or attempted by others;
- repairs are required because of normal wear and tear;
- The tool has been abused, misused or improperly maintained;
- alterations have been made to the tool.

IN NO EVENT SHALL MAKITA BE LIABLE FOR ANY INDIRECT, INCIDENTAL OR CONSEQUENTIAL DAMAGES FROM THE SALE OR USE OF THE PRODUCT. THIS DISCLAIMER APPLIES BOTH DURING AND AFTER THE TERM OF THIS WARRANTY.

MAKITA DISCLAIMS LIABILITY FOR ANY IMPLIED WARRANTIES, INCLUDING IMPLIED WARRANTIES OF "MERCHANTABILITY" AND "FITNESS FOR A SPECIFIC PURPOSE," AFTER THE ONE-YEAR TERM OF THIS WARRANTY.

This Warranty gives you specific legal rights, and you may also have other rights which vary from state to state. Some states do not allow the exclusion or limitation of incidental or consequential damages, so the above limitation or exclusion may not apply to you. Some states do not allow limitation on how long an implied warranty lasts, so the above limitation may not apply to you.

## Makita Corporation

3-11-8, Sumiyoshi-cho,  
Anjo, Aichi 446 Japan

883562A063

PRINTED IN JAPAN

1993 — 10 — N

## Free Manuals Download Website

<http://myh66.com>

<http://usermanuals.us>

<http://www.somanuals.com>

<http://www.4manuals.cc>

<http://www.manual-lib.com>

<http://www.404manual.com>

<http://www.luxmanual.com>

<http://aubethermostatmanual.com>

Golf course search by state

<http://golfingnear.com>

Email search by domain

<http://emailbydomain.com>

Auto manuals search

<http://auto.somanuals.com>

TV manuals search

<http://tv.somanuals.com>