

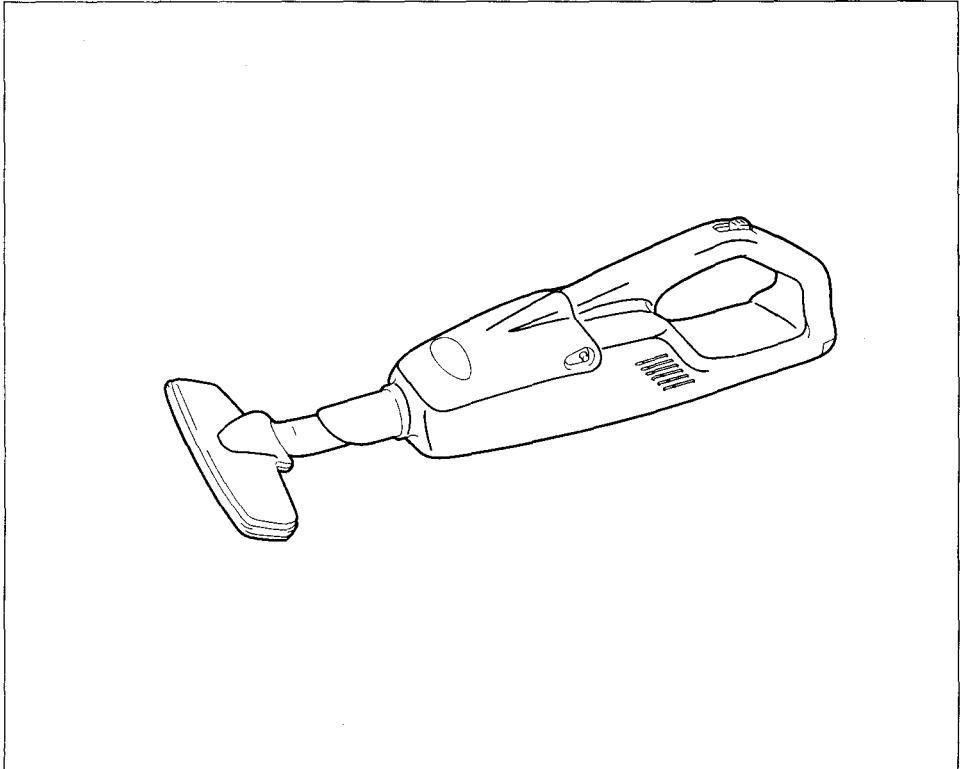


# Cordless Cleaner

**MODEL 4093D**

SEP 05 2000

## INSTRUCTION MANUAL



### SPECIFICATIONS

Rated voltage	Capacity	Dimensions (L x W x H)	Net weight
D.C. 9.6 V	500 ml	484 mm x 112 mm x 143 mm (19-1/16" x 4-13/32" x 5-5/8")	1.3 kg (2.9 lbs)

\* Manufacturer reserves the right to change specifications without notice.

\* Note: Specifications may differ from country to country.

**WARNING:** For your personal safety, READ and UNDERSTAND before using.

**SAVE THESE INSTRUCTIONS FOR FUTURE REFERENCE.**

# IMPORTANT SAFETY INSTRUCTIONS

When using an electrical appliance, basic precautions should always be followed, including the following:

## READ ALL INSTRUCTIONS BEFORE USING THIS APPLIANCE

**WARNING**-To reduce the risk of fire, electric shock, or injury:

1. Do not leave appliance when the battery cartridge is installed. Remove the battery cartridge from your appliance when not in use and before servicing.
2. Do not allow to be used as a toy. Close attention is necessary when used by or near children.
3. Use only as described in this manual. Use only manufacturer's recommended attachments.
4. If appliance is not working as it should, has been dropped, damaged, left outdoors, or dropped into water, return it to a service center.
5. Do not handle appliance with wet hands.
6. Do not put any object into openings. Do not use with any opening blocked; keep free of dust, lint, hair, and anything that may reduce air flow.
7. Keep hair, loose clothing, fingers, and all parts of body away from openings and moving parts.
8. Do not pick up anything that is burning or smoking, such as cigarettes, matches, or hot ashes.
9. Do not use without filters in place.
10. Turn off all controls before removing the battery cartridge.
11. Use extra care when cleaning on stairs.
12. Do not use to pick up flammable or combustible liquids such as gasoline or use in areas where they may be present.
13. Use only the charger supplied by the manufacturer to recharge.
14. Do not charge the unit outdoors.

This appliance is intended for household use.

# ADDITIONAL SAFETY RULES

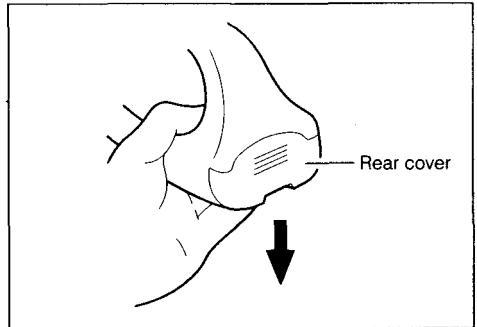
1. Read this instruction manual and the charger instruction manual carefully before use.
2. Do not pick up wet materials, lit cigarettes or the like.
3. Stop operation immediately if you notice anything abnormal.
4. If you drop or strike the cleaner, check it carefully for cracks or damage before operation.
5. Do not bring close to stoves or other heat sources.
6. Do not block the intake hole or vent holes.

**SAVE THESE INSTRUCTIONS.**

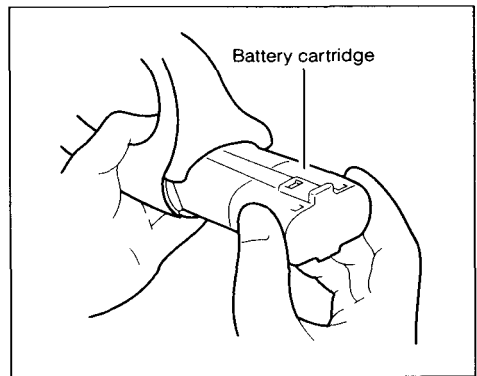
## FUNCTIONAL DESCRIPTION

### Installing or removing battery cartridge

- Always switch off the cleaner before insertion or removal of the battery cartridge.
- To remove the battery cartridge, remove the rear cover from the cleaner by pushing it in the direction of the arrow and then withdraw the battery cartridge from the cleaner.



- To insert the battery cartridge, align the tongue on the battery cartridge with the groove in the cleaner and slip it into place. Then close the rear cover.



- Do not use force when inserting the battery cartridge.  
If the cartridge does not slide in easily, it is not being inserted correctly.

### Charging

Charge the battery cartridge with your Makita charger properly before use. Following batteries can be used for this cleaner:

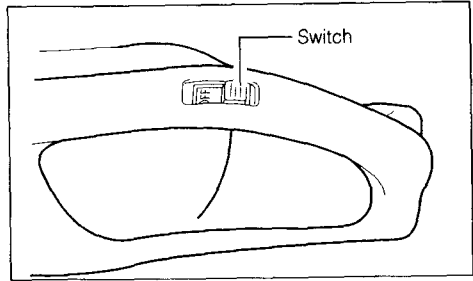
Makita battery type 9000, 9001, 9002, 9033.

## Switch action

### CAUTION:

- Always be sure that the dust bag or paper filter is installed properly in the cleaner before use. Improper installation may allow dust to enter the motor, resulting in malfunction of the cleaner.
- Always switch off the cleaner after each use to prevent damage to the cleaner and to lengthen the service life of the batteries.

This cleaner can be operated in "standard" and "strong" suction. For standard suction, slide the switch forward to the LOW position. For strong suction, slide the switch further to the HIGH position. To stop the cleaner, slide the switch back to the OFF position.



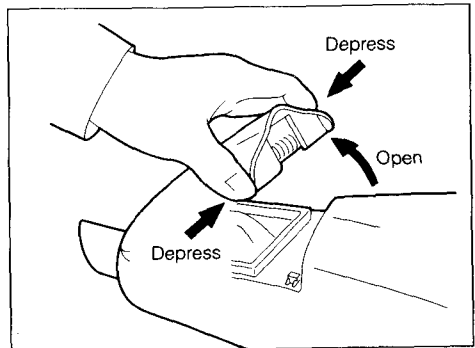
## ASSEMBLY

### Dust disposal

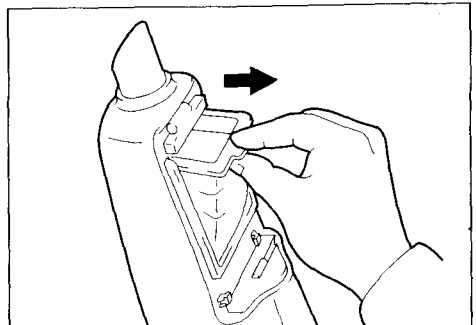
#### CAUTION:

Empty the dust bag before it becomes too full, or the suction force weakens.

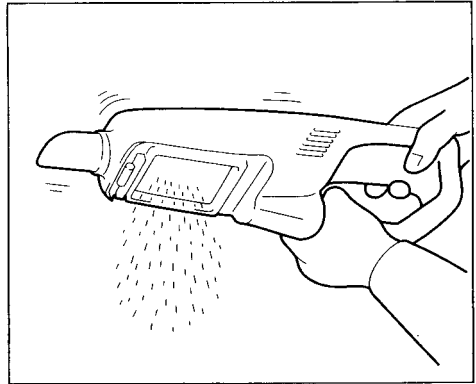
Depress the buttons and open the front cover.



Take the dust bag out of the cleaner carefully so that the contents will not spill out. Empty the contents out of the dust bag.

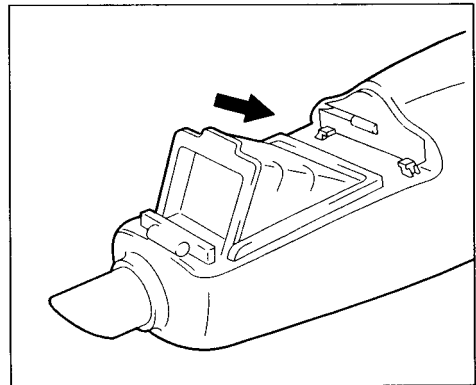


Also empty out the dust inside the cleaner itself. Failure to do so may cause the sponge filter to be clogged or the motor to be damaged.

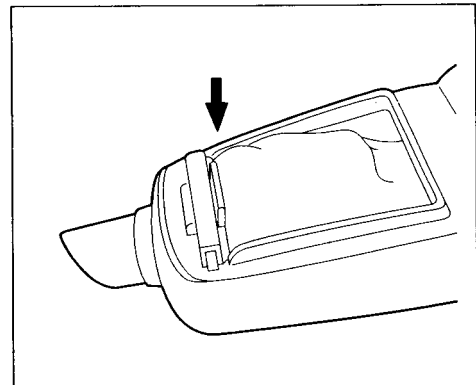


### Installing dust bag

Place the dust bag into the cleaner cavity.



Insert the holder of the dust bag all the way into the slots in the cleaner cavity.



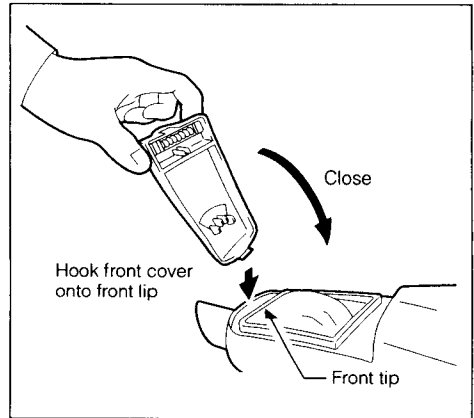
### CAUTION:

Forgetting to install the dust bag, failure to insert the holder of the dust bag all the way into the slots or using a broken or ripped bag, may allow dust to get into the motor. This may result in motor failure.

Hook the front cover onto the front lip of the cleaner. Then close the front cover.

**NOTE:**

- When installing the paper filter, follow the same procedures for the dust bag.
- Always unfold a new paper filter before installing it on the cleaner.

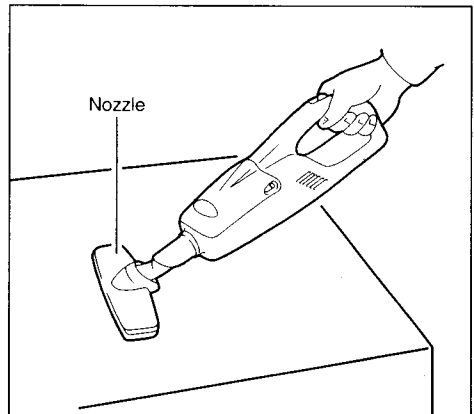


**OPERATION**

**Cleaning (Suction)**

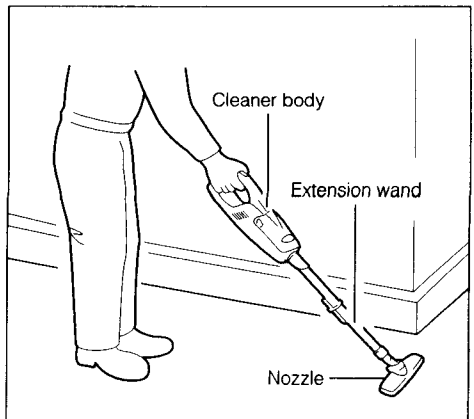
**Nozzle**

Attach the nozzle to clean off tables, desks, furniture, etc. Nozzle slips on easily.



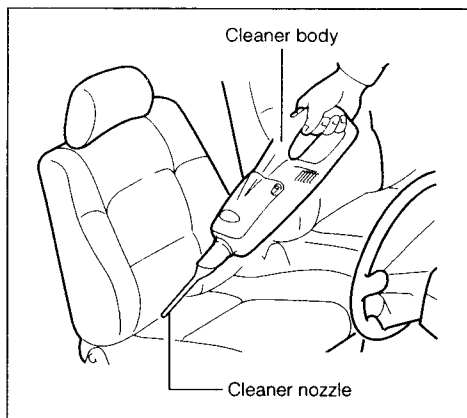
**Nozzle + Extension wand (Straight pipe)**

The extension wand fits in between the nozzle and the cleaner itself. This arrangement is convenient for cleaning a floor while standing erect.



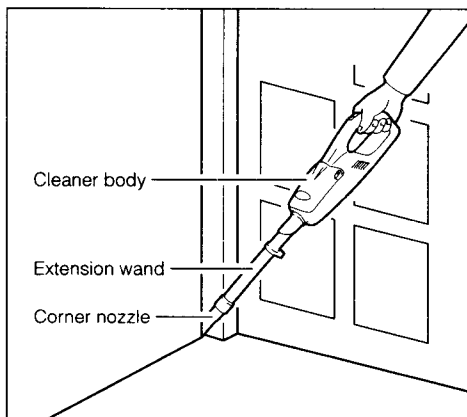
### Corner nozzle

Fit on the corner nozzle for cleaning corners and crevices of the car or furniture.

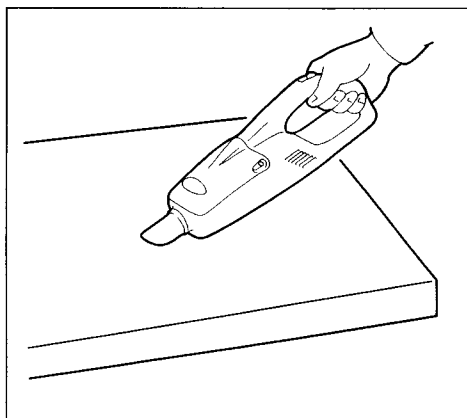


### Corner nozzle + Extension wand (straight pipe)

In tight quarters where the cleaner itself cannot squeeze in, or in high places hard to reach, use this arrangement.



Possible to suck dust without nozzle, too.





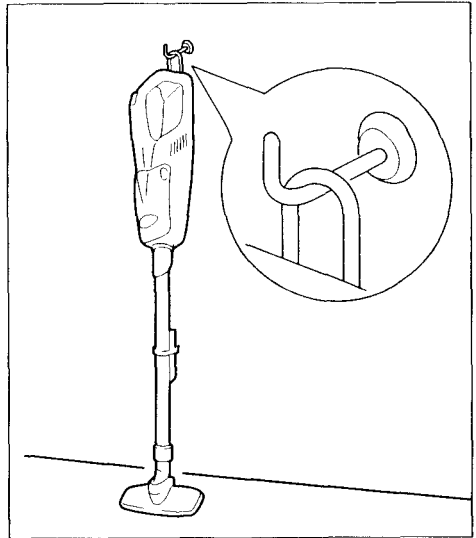
## MAINTENANCE

### CAUTION:

Always be sure that the cleaner is switched off and the battery cartridge is removed before carrying out any work on the cleaner.

### After use

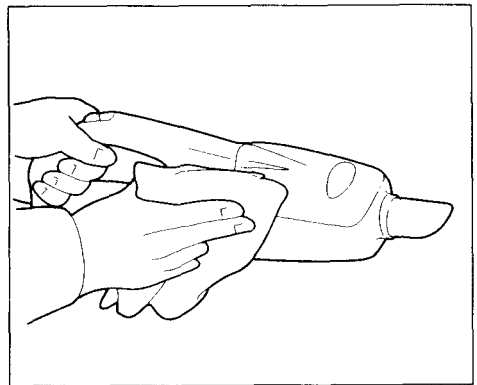
When storing the cleaner, hang it from a nail using the convenient hanger in back.



### Cleaning

From time to time wipe off the outside (cleaner body) of the cleaner using a cloth dampened in soapy water. Never use gasoline, thinner or the like. Discoloration or cracks may result.

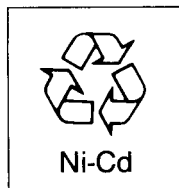
Wash the dust bag in soapy water occasionally. Dry it out thoroughly before use. An insufficiently dried bag may cause poor suction and shorten the service life of the motor.



To maintain product SAFETY and RELIABILITY, repairs, maintenance or adjustment should be performed by Makita Authorized or Factory Service Centers, always using Makita replacement parts.

# Recycling the Battery

**The only way to dispose of a Makita battery is to recycle it. The law prohibits any other method of disposal.**



To recycle the battery:

1. Remove the battery from the tool.
2. a). Take the battery to your nearest Makita Factory Service Center  
or  
b). Take the battery to your nearest Makita Authorized Service Center or Distributor that has been designated as a Makita battery recycling location.
  - *Call your nearest Makita Service Center or Distributor to determine the location that provides Makita battery recycling. See your local Yellow Pages under "Tools-Electric".*

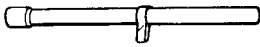
## ACCESSORIES

### CAUTION:

These accessories or attachments are recommended for use with your Makita tool specified in this manual. The use of any other accessories or attachments might present a risk of injury to persons. The accessories or attachments should be used only in the proper and intended manner.

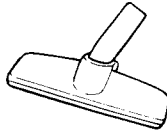
- **Extension wand**

Part No. 416042-8



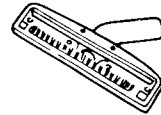
- **Nozzle assembly**

Part No. 122520-5



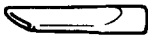
- **Nozzle assembly (for carpet)**

Part No. 122291-4



- **Corner nozzle**

Part No. 416041-0



- **Shelf brush**

Part No. 191724-0



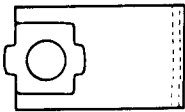
- **Flexible hose**

Part No. 191496-7



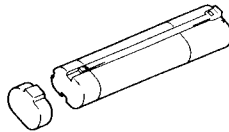
- **Paper filter (10 pcs.)**

Part No. 192608-5



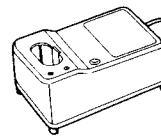
- **Battery cartridge**

9000/9001/9002/9033



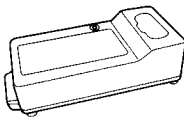
- **Battery charger**

Model DC9710



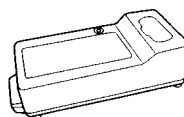
- **High capacity battery charger**

Model DC1411

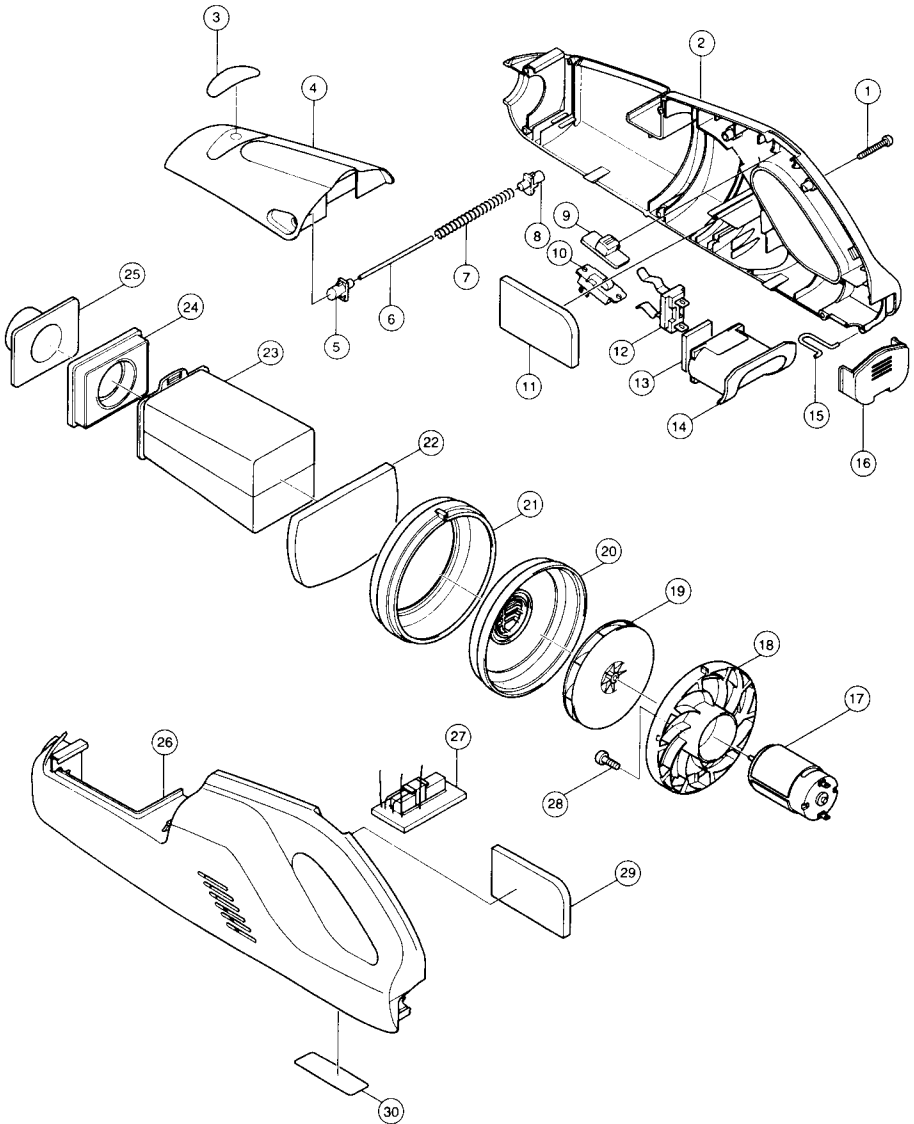


- **Automotive battery charger**

Model DC1412



# CORDLESS CLEANER Model 4093D



Note: The switch and other part configurations may differ from country to country.

ITEM NO.	NO. USED	DESCRIPTION	ITEM NO.	NO. USED	DESCRIPTION
<u>MACHINE</u>			<u>MACHINE</u>		
1	7	Tapping Screw PT 3x20	16	1	Cover
2	1	Housing Set (With Item 26)	17	1	DC Motor
3	1	Makita Label	18	1	Base
4	1	Front Cover Complete	19	1	Fan 82
5	1	Hook	20	1	Fan Cover
6	1	Rod 2.5	21	1	Rubber Ring
7	1	Compression Spring 6	22	1	Sponge Sheet 70 106
8	1	Hook	23	1	Dust Bag
9	1	Switch Lever	24	1	Packing
10	1	Switch	25	1	Inlet
11	1	Sponge Sheet 43-- 75	26	1	Housing Set (With Item 2)
12	1	Battery Holder	27	1	Resistance Circuit
13	1	Sponge 20-- 34	28	2	Pan Head Screw M3x8
14	1	Dust Cover Complete	29	1	Sponge Sheet 43 75
15	1	Hanger	30	1	Name Plate

Note: The switch and other part specifications may differ from country to country.

## **MAKITA LIMITED ONE YEAR WARRANTY**

### **Warranty Policy**

Every Makita tool is thoroughly inspected and tested before leaving the factory. It is warranted to be free of defects from workmanship and materials for the period of ONE YEAR from the date of original purchase. Should any trouble develop during this one-year period, return the COMPLETE tool, freight prepaid, to one of Makita's Factory or Authorized Service Centers. If inspection shows the trouble is caused by defective workmanship or material, Makita will repair (or at our option, replace) without charge.

This Warranty does not apply where:

- repairs have been made or attempted by others;
- repairs are required because of normal wear and tear;
- The tool has been abused, misused or improperly maintained;
- alterations have been made to the tool.

**IN NO EVENT SHALL MAKITA BE LIABLE FOR ANY INDIRECT, INCIDENTAL OR CONSEQUENTIAL DAMAGES FROM THE SALE OR USE OF THE PRODUCT. THIS DISCLAIMER APPLIES BOTH DURING AND AFTER THE TERM OF THIS WARRANTY.**

**MAKITA DISCLAIMS LIABILITY FOR ANY IMPLIED WARRANTIES, INCLUDING IMPLIED WARRANTIES OF "MERCHANTABILITY" AND "FITNESS FOR A SPECIFIC PURPOSE," AFTER THE ONE-YEAR TERM OF THIS WARRANTY.**

This Warranty gives you specific legal rights, and you may also have other rights which vary from state to state. Some states do not allow the exclusion or limitation of incidental or consequential damages, so the above limitation or exclusion may not apply to you. Some states do not allow limitation on how long an implied warranty lasts, so the above limitation may not apply to you.

**Makita Corporation**

3-11-8, Sumiyoshi-cho,  
Anjo, Aichi 446-8502 Japan

## Free Manuals Download Website

<http://myh66.com>

<http://usermanuals.us>

<http://www.somanuals.com>

<http://www.4manuals.cc>

<http://www.manual-lib.com>

<http://www.404manual.com>

<http://www.luxmanual.com>

<http://aubethermostatmanual.com>

Golf course search by state

<http://golfingnear.com>

Email search by domain

<http://emailbydomain.com>

Auto manuals search

<http://auto.somanuals.com>

TV manuals search

<http://tv.somanuals.com>