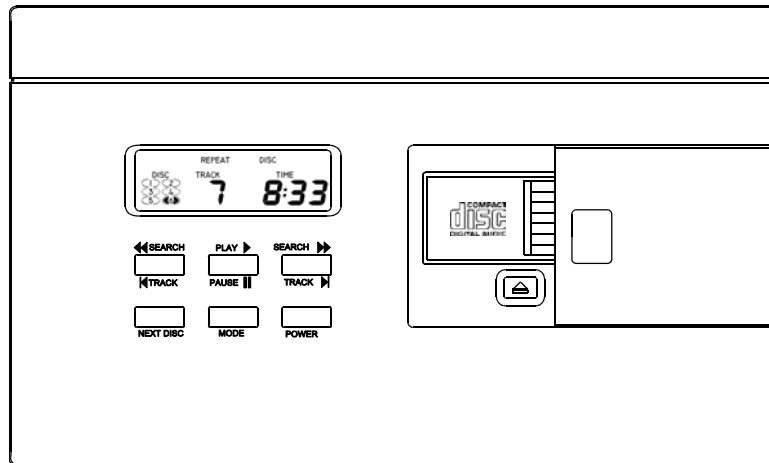


MCD6 6-DISC DIGITAL COMPACT DISC PLAYER

OWNER'S GUIDE

CONGRATULATIONS

Your purchase of an M & S Systems built-in 6-disc digital compact disc player is an investment that will provide years of service and convenience. M & S Systems built-in music systems are backed with more than 40 years of experience in the design and manufacture of quality built-in electronic systems.



This booklet contains the information you need to get the most enjoyment from your Model MCD6 digital compact disc player as well as important warranty information. Retain this booklet for future reference.

CONTENTS


| | |
|-------------------------------|---|
| ABOUT YOUR SYSTEM | 2 |
| CONTROLS AND FEATURES | 3 |
| FUNCTIONS | 4 |
| HANDLING DISCS | 5 |
| LOADING DISCS | 5 |
| UNLOADING DISCS | 6 |
| LOADING DISC MAGAZINE | 6 |
| UNLOADING DISC MAGAZINE | 7 |
| CARE AND MAINTENANCE | 8 |
| TROUBLESHOOTING TIPS | 8 |
| WARRANTY | 9 |
| NOTES | 9 |

NOTE: Product specifications are subject to change without notice.

Copyright © 2000 by M&S Systems

ABOUT YOUR SYSTEM

The MCD6 from M&S Systems is a high-quality CD player designed to compliment your built-in M&S Systems musical intercom system. Your MCD6 digital compact disc player includes these outstanding features:

- C One 6-disc magazine (additional 6-disc magazines available)
- C Random track/disc selection
- C Highly visible backlit LCD display
- C Elapsed time display for selected track
- C Numeric indicator for selected track
- C Graphic indication of selected disc and installed discs
- C Track search forward and reverse
- C Pause/resume feature
- C Next/previous track selection
- C Compatible with all M&S Systems musical intercoms
- C Plays all 5" compact discs labeled with 

Additional 6-disc magazines are available. Fill one magazine with your favorite Jazz CD's, another with Rock 'n Roll, and another with Classical. Contact your local M&S dealer or call Customer Service at (800) 877-6631 .

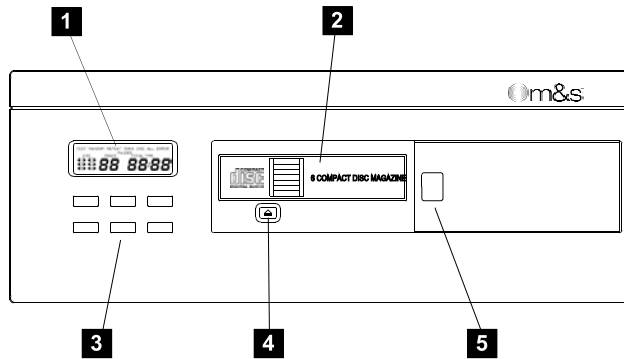
Like all M&S Systems products, the MCD6 compact audio disc player is designed to make your home atmosphere more enjoyable. M&S Systems is committed to producing high quality products for your home. If you have any questions about the operation of your system, please call Technical Support at (800) 366-9422.

CONTROLS AND FEATURES

The illustration below shows the controls and features you use to operate the Model MCD6.

- 1** Display - Provides visual indication of the MCD6's status and operational settings.

Display light control - If you do not wish to have the display light come on, you may disable it by pressing Track up and Mode at the same time and holding for 3 seconds. Pressing this combination of buttons again for 3 seconds will return the display light to normal operation.



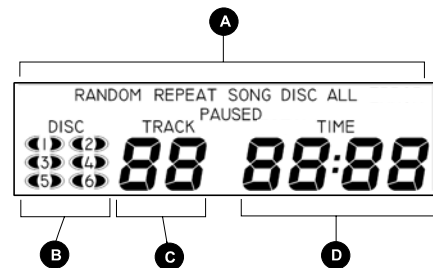
- A** Status/operating mode indicators

- B** Disc indicators



- C** Track number

- D** Track elapsed time



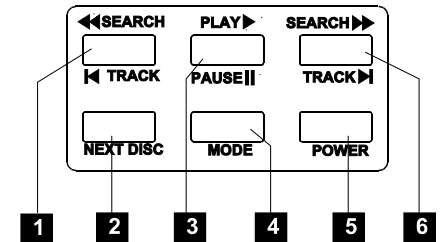
MCD6 display legends

- 2** 6-disc magazine - Removable magazine that holds 6 compact discs.
- 3** Controls - Used to operate and setup the MCD6 compact disc player.
- 4** Eject - Button used to eject the disc magazine
- 5** Door slide - Used to access the disc magazine

FUNCTIONS

The illustration below shows the controls and features of your Model MCD6. You may need to refer to the operating guide for your music-intercom for additional information.

- 1 TRACK DOWN/SEARCH**-Pressing and holding this button fast reverses toward the beginning of the current track. You will also hear short samples of the track as it reverses through the selected track. Momentarily pressing this button returns play to the beginning of the current track. A double press of this button will jump to the previous track.



- 2 NEXT DISC** - Press this button to advance to the next disc. A particular disc may be selected by pressing this button repeatedly until the desired disc is indicated on the display.

- 3 PLAY/PAUSE** - Press this button to alternately pause or play the CD.

- 4 MODE** -This button cycles the CD player through each of its five different modes as described below. Additionally, holding the mode button down will display the total number of tracks and total time of the CD.

| | |
|--------------------|--|
| Normal | Each track is played in order before advancing to the next disc. |
| Repeat song | Repeats the current track |
| Repeat disc | Plays the current disc sequentially and then starts over at track 1. |
| Random disc | Plays tracks from the current disc in random order. |
| Random all | Plays tracks randomly from all discs. |

- 5 POWER** - This button turns the power to the MCD6 ON or OFF.

- 6 TRACK UP/SEARCH**-Momentarily pressing this button advances play to the next track. Pressing and holding this button will fast forward through the currently selected track.

HANDLING DISCS

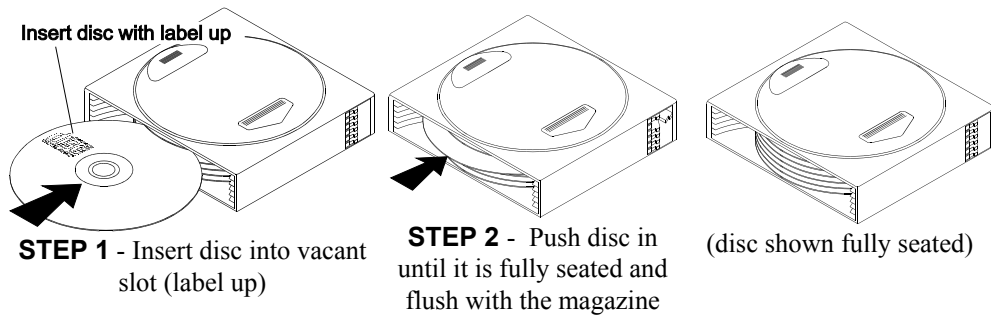
Compact discs are optically read plastic discs which require no maintenance. However, care must be taken to insure the readable surface is not contaminated by dirt, grime, fingerprints, etc. Avoid touching the side opposite the label. This is the side that contains the digital information read by the MCD6's laser. Compact discs should only be handled by the outer edges or center hub.

LOADING DISCS

The 6-disc magazine used with the MCD6 contains 6 slots used to align each compact disc. These slots are numbered 1-6 starting from the bottom. The magazine does not have to have a disc loaded in each slot. The MCD6 will automatically sense which discs are installed and will accept play options for the installed discs only. Each disc must be installed with the label up as shown below.

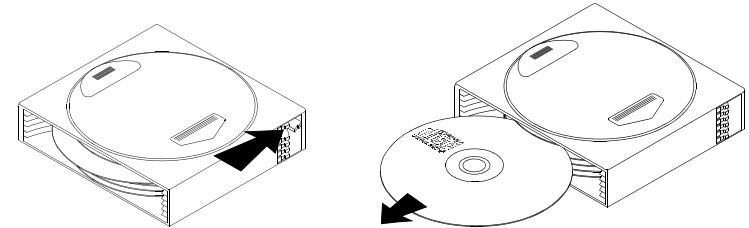


6-Disc magazine



UNLOADING DISCS

A disc can be removed by moving the lever on the side of the disc magazine as shown below. Moving the lever corresponding to the desired disc will eject the disc by approximately 1/2". The disc can then be fully removed.

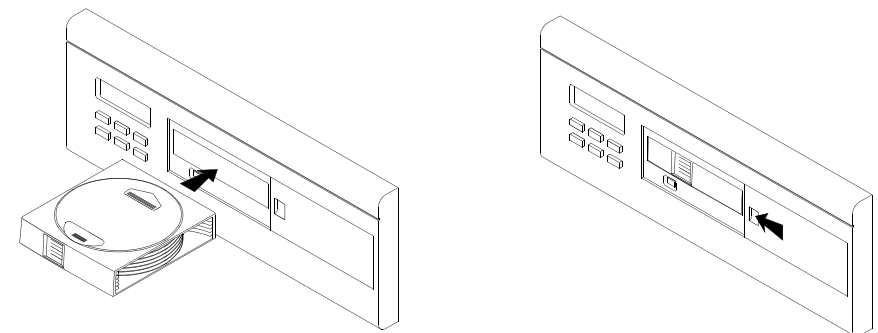


STEP 1 - Move lever corresponding to the disc to be removed.

STEP 2 - Remove disc from magazine.

LOADING DISC MAGAZINE

The MCD6 plays discs installed in the disc magazine supplied with it. To install the disc magazine, slide the access door all the way to the right. Gently, insert the disc magazine into the exposed slot oriented as shown below. The access door can now be closed.



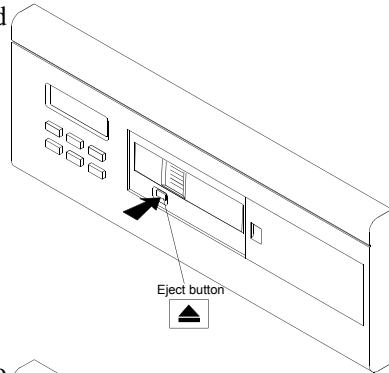
STEP 1 - Open magazine door and gently insert the magazine oriented as shown.

STEP 2 - Press the magazine in until it locks in place. Slide access door closed.

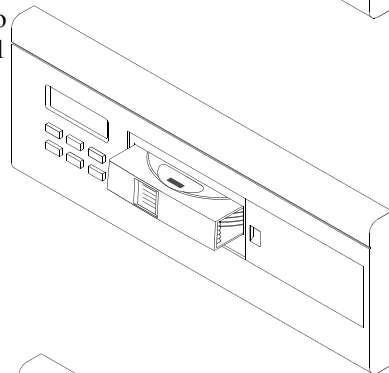
UNLOADING DISC MAGAZINE

Unloading the disc magazine is performed by first sliding the access door to the right. Next, press the eject button located below the window on the magazine. Pressing this button will activate the magazine release mechanism. When ejected, the magazine will extend outward 1". You may then pull the disc magazine out completely.

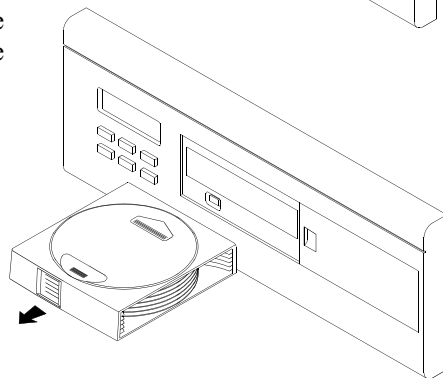
STEP 1 - open magazine door and press the eject button.



STEP 2 - Wait for the magazine to extend and stop (approximately 1 inch outward).



STEP 3 - Pull the magazine from the MCD6 player and close the sliding door.



CARE AND MAINTENANCE

No maintenance is required to provide reliable operation. The MCD6 can be cleaned using a slightly dampened cloth. No chemicals should be used to clean the face panel components. Many common household chemicals may damage or discolor the face panel components. Use care when cleaning the display window.

TROUBLESHOOTING TIPS

| PROBLEM | WHAT TO CHECK |
|--|--|
| Will not power on | Check for tripped circuit breaker. |
| Magazine will not eject | Sliding door not opened fully. |
| "Err 07" displays when disc is selected for play | Disc is not readable or is installed in the magazine upside down. Disc must be installed with the label up. |
| "Err 07" displays while disc is playing | Disc is dirty, damaged, or scratched. |
| Display does not light | Press Track up and Mode at the same time and hold for 3 seconds to enable. |
| "Err 01" displays | Disc is jammed. Try ejecting the magazine. |
| | Shipping screws have not been removed upon installation. |
| Display shows disc is playing but nothing is heard | AUX is not selected on the radio-intercom master. |
| | Check to see if FM or AM plays on the radio intercom. If not, refer to troubleshooting section in the owner's guide for the radio-intercom master. |

Manual Reset Procedure

In some cases, performing a reset on the MCD6 may resolve your problem. First try resetting the MCD6 player by pressing the **TRACK UP** and **POWER** buttons at the same time. If that does not work, remove the plastic front cover by pulling straight out and press the **RESET** button below the keypad. If your MCD6 player still does not operate, please contact your dealer or M&S Systems, Technical Support at (800) 366-9422.

WARRANTY

M&S Systems 2-Year “No Fault” Limited Warranty

M&S Systems warrants for 2 years from the date of “first user” purchase all products to be free of factory-caused defects of material and workmanship. M&S Systems will repairs or replace, at its option, parts and materials at no charge. This warranty extends to the original purchaser of the product and to each subsequent owner of the product during the term of this warranty. This **NO FAULT** warranty covers only the liability described above, and does not include liability for incidental or consequential damages. **NOTE:** Some states do not allow the exclusion or limitation of incidental or consequential damages, so the above limitation or exclusion may not apply to you.

Distributed by:

NOTES:

Please record the following information for future reference:

Installer _____

Date of installation _____

Model _____

Serial number _____

(Serial number is located on the bottom edge of the MCD6)

M&S SYSTEMS™

11582

3

115823 Rev B

Free Manuals Download Website

<http://myh66.com>

<http://usermanuals.us>

<http://www.somanuals.com>

<http://www.4manuals.cc>

<http://www.manual-lib.com>

<http://www.404manual.com>

<http://www.luxmanual.com>

<http://aubethermostatmanual.com>

Golf course search by state

<http://golfingnear.com>

Email search by domain

<http://emailbydomain.com>

Auto manuals search

<http://auto.somanuals.com>

TV manuals search

<http://tv.somanuals.com>